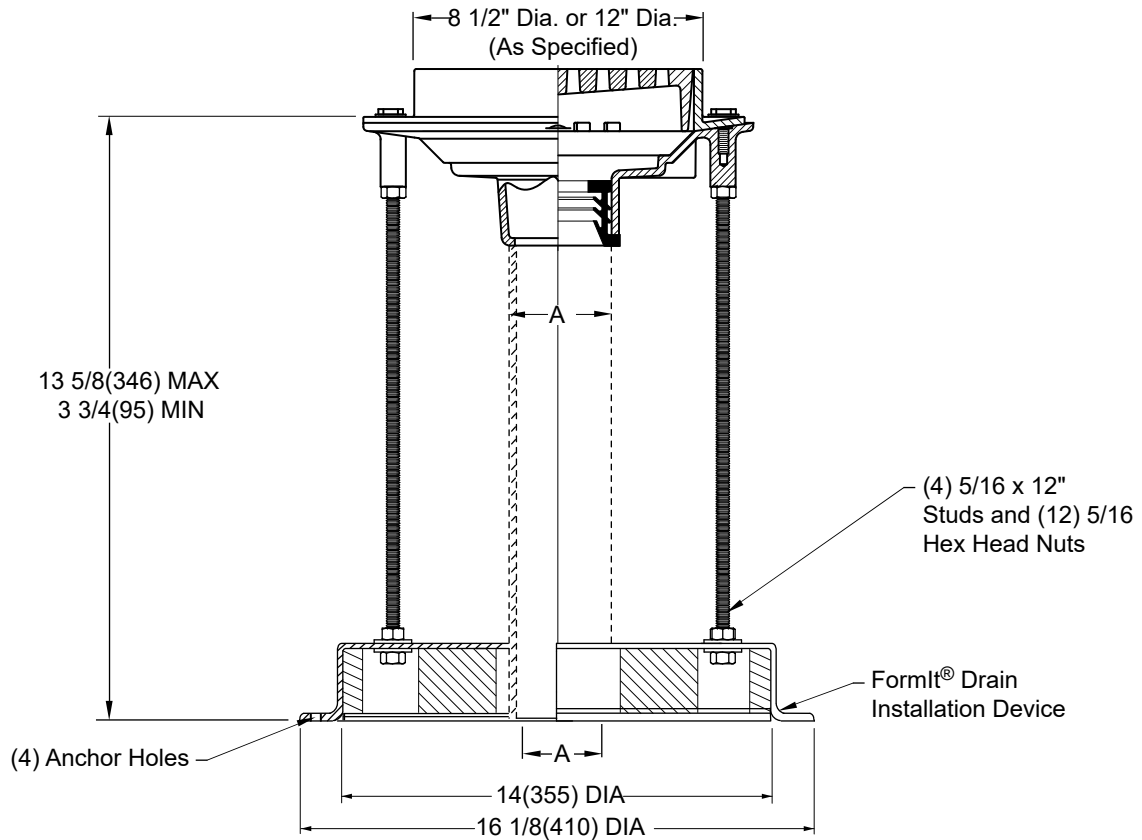


8 1/2" AND 12" DIAMETER TOP DRAINS WITH FormIt® DRAIN INSTALLATION DEVICE

DRAWING NUMBER **s2039**
 SIZE **A**
 SCALE: **NONE**
 DATE: **8-27-08**
 APPROVED BY: **BW**
 CHECKED BY: **BW**
 DRAWN BY: **RN**
2039
 DIMENSIONS ARE SUBJECT TO MANUFACTURERS TOLERANCE AND CHANGE WITHOUT NOTICE
 WE CAN ASSUME NO RESPONSIBILITY FOR USE OF SUPERSEDED OR VOID DATA



A = Pipe Size 02, 03, 04 and 06

NOTE: Designed To Be Used With Smith 8 1/2" and 12" Round Top Drains.

REGULARLY FURNISHED:

Specify (8 1/2" or 12" Dia. Top) Cast Iron Floor Drain with FormIt® Drain Installation Device and Hardware. Stud Holes on 9 3/4" Bolt Circle for 8 1/2" Dia. Top Drains and 13 3/16" Bolt Circle for 12" Dia. Top Drains.

VARIATIONS:

- L Speedi-Set® Service Weight
02(50), 03(80) & 04"(100) sizes only
- LXH Speedi-Set® Extra Heavy
02(50), 03(80) & 04"(100) sizes only
- Square Top -S
- Trap Primer Connection -P050 1/2"(13) & -P075 3/4"(19)
- Vandal Proof Grate -U
- T Threaded Outlet

OPTIONAL MATERIALS:

- Ductile Iron Grate -M
- Galvanized Cast Iron -G
- Nickel Bronze Top -NB
- Polished Bronze Top -PB

NOTE: Dimensions shown in parentheses are in millimeters.

REV.	DATE	DESCRIPTION	BY	CKD. BY	WEIGHT POUNDS	VOLUME CUBIC FEET	FIGURE NUMBER 2039
D	8-10-23	Removed Function	HS	CL			
C	3-10-23	Added ® to "Speedi-Set"	KK	CL			
B	7-7-10	Revised ™ to ®	RN	BW			
A	05/14/09	Added Function	JJ	BW			