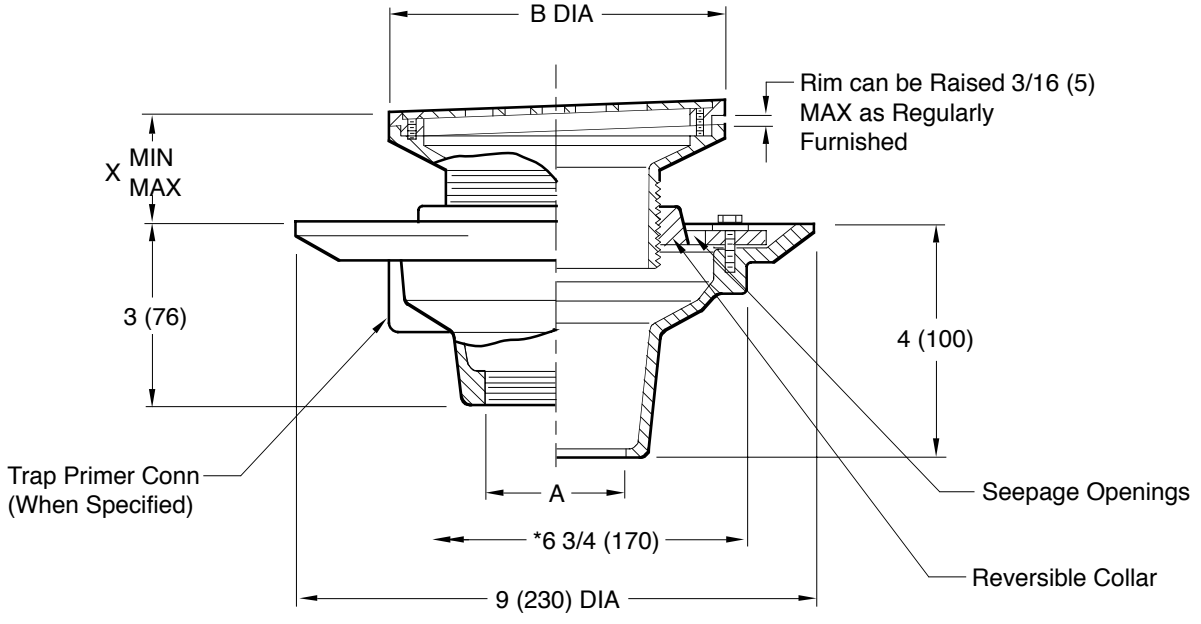


# FLOOR OR SHOWER DRAIN

DRAWING NUMBER: S2010 (-TT)  
 SIZE: A  
 SCALE: NONE  
 DATE: 12-11-68  
 APPROVED BY: WZ  
 CHECKED BY: WZ  
 DRAWN BY: BH  
 FIGURE NUMBER: 2010 (-TT)

WE CAN ASSUME NO RESPONSIBILITY FOR USE OF SUPERSEDED OR VOID DATA



- Fig. 2010C (-TT) ..... CAULK OUTLET
- Fig. 2010T (-TT) ..... THREADED OUTLET

**NOTE:** Dimensions shown in parentheses are in millimeters.  
**NOTE:** \* MIN 6 3/4 (170) hole required for core drilled applications.

A SIZE	B	MIN	X	MAX
02(50)	05(125)	1 1/2(38)	2 1/2(64)	
03(75)	06(150)	1 1/2(38)	2 1/2(64)	
04(100)	08(205)	1 3/4(44)	2 3/4(70)	

**REGULARLY FURNISHED:**  
 Duco Cast Iron Body and Flashing Collar, Adjustable Strainer Head as Indicated by Suffix Letter Selected and Secured Grate.

- VARIATIONS:**
- Backwater Valve -V
  - Round Strainer Heads 07(180), 09(230) & 10(255)
  - Sediment Bucket -B
  - Trap Primer Connection -P050 1/2" (13) & -P075 3/4" (19)
  - Vandal Proof Screws -U
  - No Hub Outlet (Specify 2005 -TT)

- OPTIONAL MATERIALS:**
- Cast Bronze Body -BB
  - Chrome Plated Top -CP
  - Galvanized Cast Iron Body -G
  - Nickel Bronze -NB
  - Polished Bronze Top -PB

REV.	DATE	DESCRIPTION	BY	CKD. BY	WEIGHT POUNDS	VOLUME CUBIC FEET	<b>FIGURE NUMBER</b>
							<b>2010 (-TT)</b>