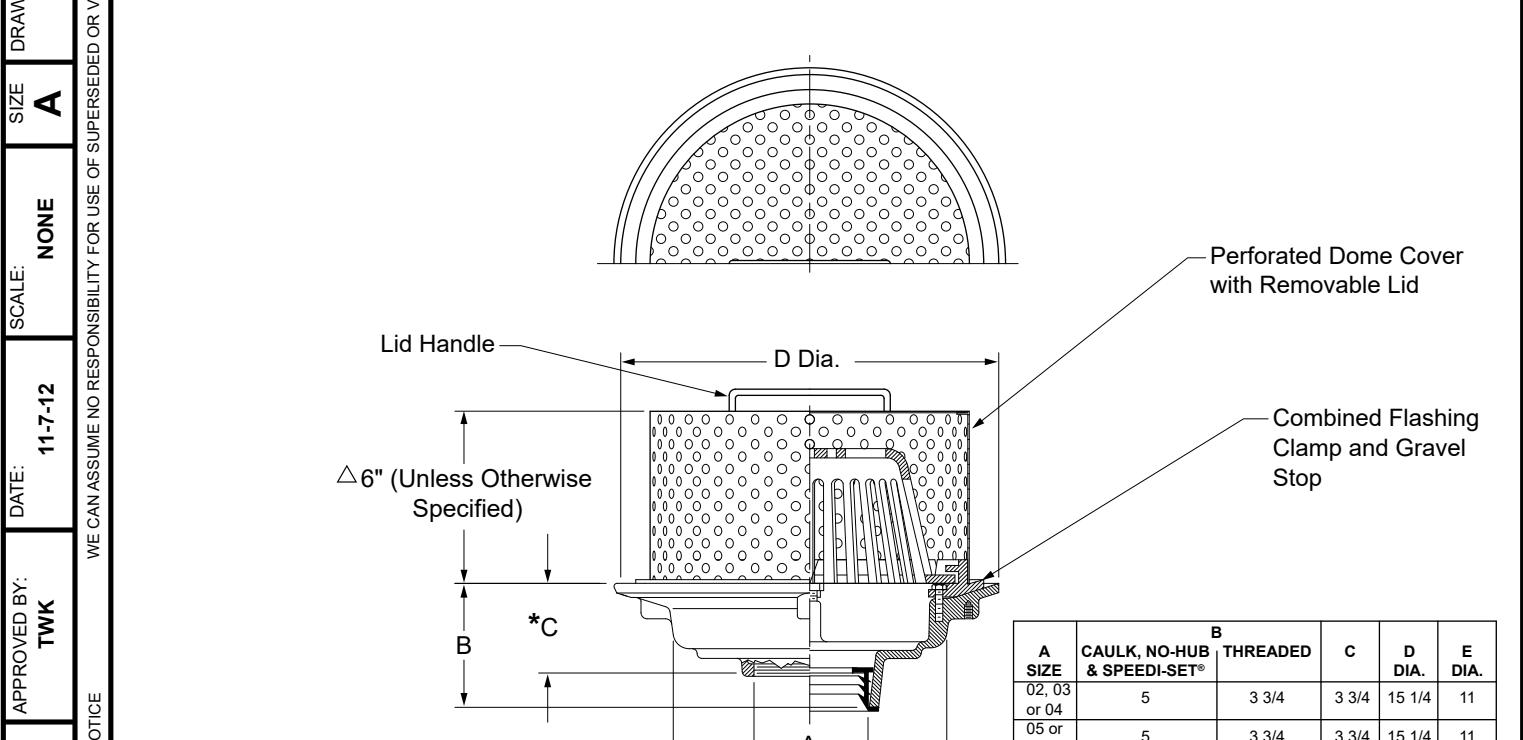


# SPECIAL PURPOSE PLANTER DRAIN

## GREEN ROOF AND PLANTER LOW PROFILE PERFORATED DOME COVER WITH REMOVABLE LID



A SIZE	B		C	D DIA.	E DIA.
	CAULK, NO-HUB & SPEEDI-SET®	THREADED			
02, 03 or 04	5	3 3/4	3 3/4	15 1/4	11
05 or 06	5	3 3/4	3 3/4	15 1/4	11
08 or 10	7 3/4	7 3/4	—	20	16

△NOTE: 6" Min. Dome and/or Internal (standpipe) Waterdam is Used.

\* This Dimension to Internal Stop of Speedi-Set® Gasket.

- Fig. 1937C ..... CAULK OUTLET
- Fig. 1937T ..... THREADED OUTLET
- Fig. 1937Y ..... NO HUB OUTLET

**REGULARLY FURNISHED:**  
 Duco Cast Iron body, Combined Flashing Clamp and Gravel Stop, Polyethylene Dome with Perforated Stainless Steel Dome Cover with Removable Lid.

- VARIATIONS:**
- L Speedi-Set® Service Weight Outlet Conn. (02, 03, and 04 Sizes Only)
  - LXH Speedi-Set® Extra Heavy Duty Outlet Conn. (02, 03, and 04 Sizes Only)
  - Roof Deck Plate -RDP
  - Extension (Specify Height) -E
  - Adjustable Extension -AE
  - Vandal Proof Dome Cover -U
  - Internal Waterdam Standpipe -SP2, -SP3 or -SP4
  - Underdeck Clamp -C
  - Sump Receiver -R

- OPTIONAL MATERIALS:**
- Aluminum Dome -AD
  - Cast Iron Dome -CID
  - Galvanized Cast Iron Dome -CIDG
  - Galvanized Cast Iron Body & Collar -G
  - Rough Bronze Dome -RBD
  - Stainless Steel Mesh Covered Dome (When Spec.) -SSM
  - All Type 304 Stainless Steel -304SS
  - All Type 316 Stainless Steel -316SS

DRAWING NUMBER 1937  
 SIZE A  
 SCALE: NONE  
 DATE: 11-7-12  
 APPROVED BY: TWK  
 CHECKED BY: TK  
 DRAWN BY: TBW  
 FIGURE NUMBER 1937  
 DIMENSIONS ARE SUBJECT TO MANUFACTURERS TOLERANCE AND CHANGE WITHOUT NOTICE  
 WE CAN ASSUME NO RESPONSIBILITY FOR USE OF SUPERSEDED OR VOID DATA

D	9-27-24	Revised Variations	HS	CL	WEIGHT POUNDS	VOLUME CUBIC FEET	FIGURE NUMBER <b>1937</b>
C	9-29-23	Removed Function	HS	CL			
B	3-9-23	Added ® to "Speedi-Set"	KK	CL			
A	7-23-18	Revised Variations	TBW	TWK			
REV.	DATE	DESCRIPTION	BY	CKD. BY			