

# ROOF ACCESSORY

## DOWNSPOUT NOZZLE

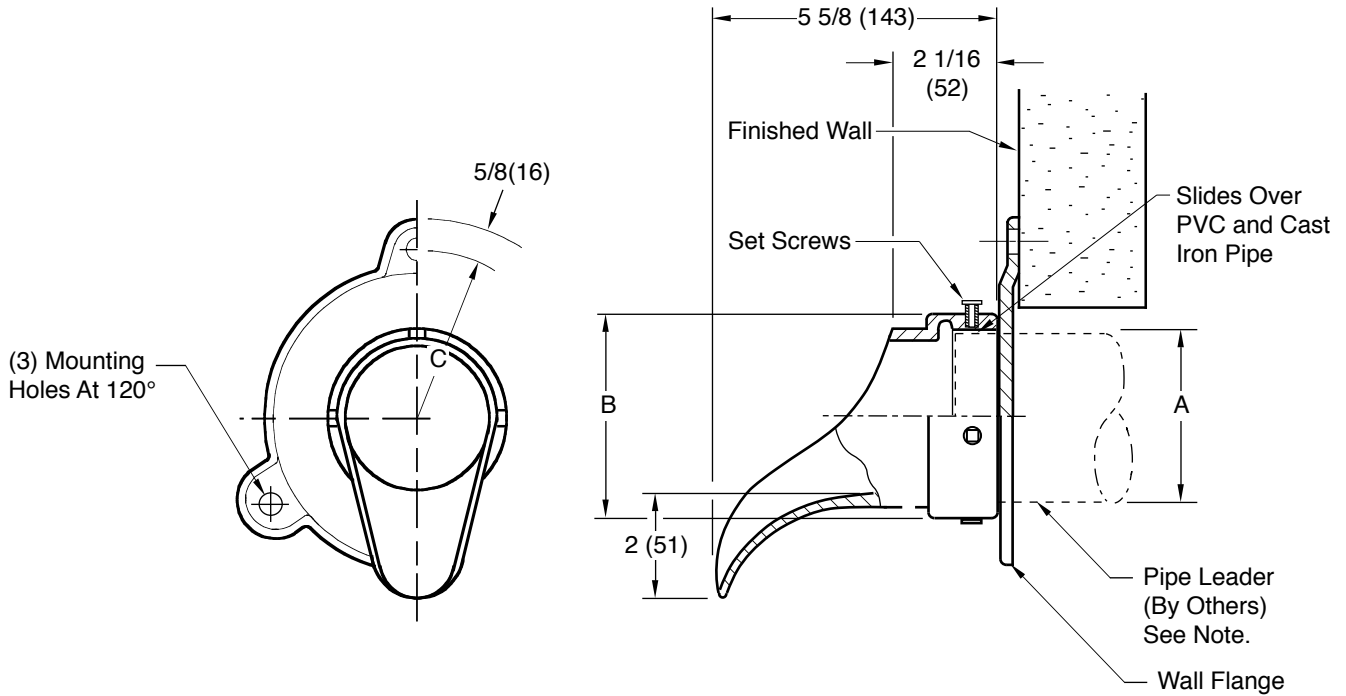


Fig. 1771

**NOTE:** Pipe (Leader) must extend past the face of the finished wall in order to install the wall flange and attach the downspout nozzle. Dimension shall be field determined by installer.

**NOTE:** Dimensions shown in parentheses are in millimeters.

<b>A = Pipe Size</b>	02 (50)	03 (75)	04 (100)	05 (125)	06 (150)	08 (200)	10 (250)	12 (305)
<b>B = DIA</b>	2 3/4 (70)	4 (100)	5 (125)	6 (150)	7 1/4 (185)	9 1/4 (235)	11 1/8 (283)	13 1/4 (335)
<b>C = RAD</b>	2 3/4 (70)	3 1/2 (89)	3 7/8 (98)	4 3/8 (111)	5 (125)	5 7/8 (149)	7 1/4 (185)	8 (205)

**REGULARLY FURNISHED:**  
 Cast Bronze Nozzle and Flange,  
 Machined Nozzle Slides Over  
 PVC and Cast Iron Pipe.

**VARIATIONS:**  
 Bird Screen-BS

**OPTIONAL MATERIALS:**  
 Nickel Bronze -NB  
 Polished Bronze -PB

DRAWING NUMBER S1771  
 SIZE A  
 SCALE: NONE  
 DATE: 09/01/09  
 APPROVED BY: CL  
 CHECKED BY: CL  
 DRAWN BY: JJ  
 DIMENSIONS ARE SUBJECT TO MANUFACTURERS TOLERANCE AND CHANGE WITHOUT NOTICE  
 WE CAN ASSUME NO RESPONSIBILITY FOR USE OF SUPERSEDED OR VOID DATA

FIGURE NUMBER	1771	REV.	A	2-11-21	Removed Function	DESCRIPTION	KK	AM	BY	CKD. BY
---------------	------	------	---	---------	------------------	-------------	----	----	----	---------

WEIGHT POUNDS	VOLUME CUBIC FEET
---------------	-------------------

FIGURE NUMBER	1771
---------------	------