

ROOF ACCESSORY

DOWNSPOUT NOZZLE

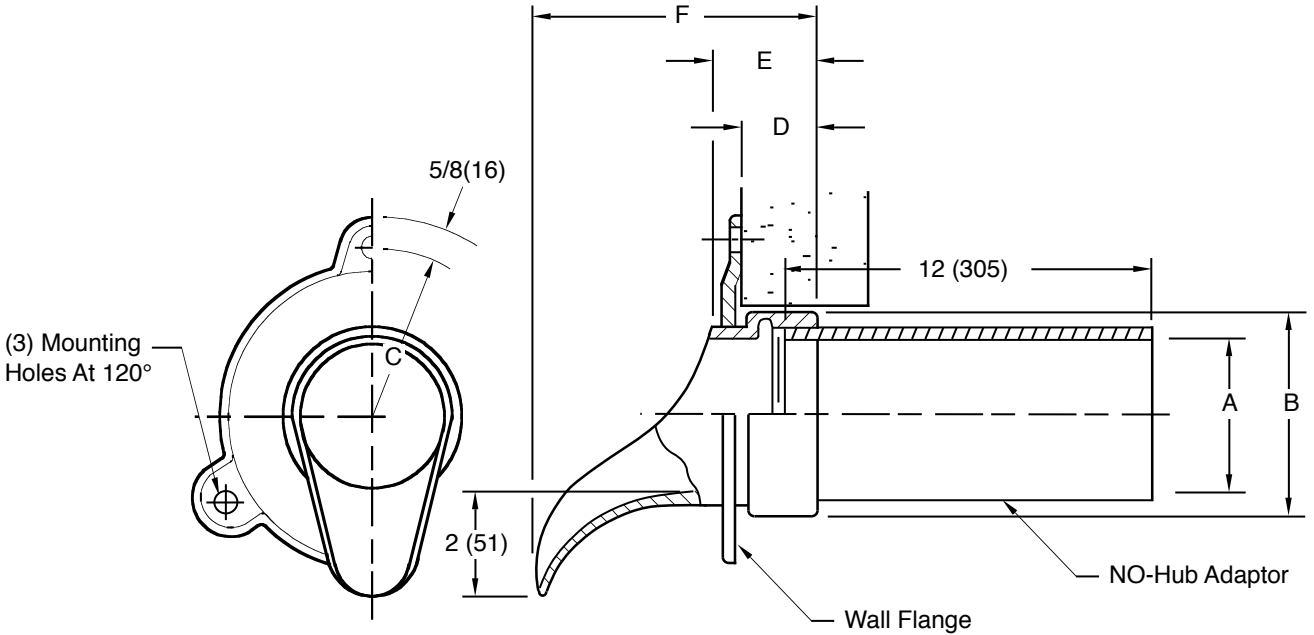


Fig. 1770Y-2.....NO-HUB Connection

A=PIPE	02(50)	03(75)	04(100)	05(125)	06(150)	08(200)	10(255)	12(305)
B=DIA	2 3/4 (70)	4 (100)	5 (125)	6 (150)	7 1/4 (185)	9 1/4 (235)	11 1/8 (283)	13 1/4 (335)
C=RAD	2 3/4 (70)	3 1/2 (89)	3 7/8 (98)	4 3/8 (111)	5 (125)	5 7/8 (149)	7 1/4 (185)	8 (205)
D	1 3/8 (35)	1 3/8 (35)	1 3/8 (35)	1 3/8 (35)	1 3/8 (35)	1 5/8 (41)	1 3/4 (44)	2 (51)
E	2 1/16 (52)	2 1/16 (52)	2 1/16 (52)	2 1/16 (52)	2 1/16 (52)	2 3/8 (60)	2 3/4 (70)	2 15/16 (75)
F	5 5/8 (143)	5 5/8 (143)	5 5/8 (143)	5 5/8 (143)	5 5/8 (143)	5 15/16 (149)	5 3/8 (138)	7 9/16 (192)

NOTE: Dimensions shown in parentheses are in millimeters.

REGULARLY FURNISHED:
 Cast Bronze Nozzle and Flange
 with 12 (305) Long Cast Iron
 NO-HUB Adaptor.

VARIATIONS:
 Bird Screen -BS

OPTIONAL MATERIALS:
 Nickel Bronze -NB
 Polished Bronze -PB

1770Y-2

DRAWING NUMBER
S1770Y-2

SIZE
A

SCALE:
NONE

DATE:
2-8-06

APPROVED BY:
CEL

CHECKED BY:
CL

DRAWN BY:
RN

FIGURE NUMBER

WE CAN ASSUME NO RESPONSIBILITY FOR USE OF SUPERSEDED OR VOID DATA

DIMENSIONS ARE SUBJECT TO MANUFACTURERS TOLERANCE AND CHANGE WITHOUT NOTICE

A	2-11-21	Removed Function	KK	AM
REV.	DATE	DESCRIPTION	BY	CKD. BY

WEIGHT POUNDS	VOLUME CUBIC FEET
------------------	----------------------

FIGURE NUMBER 1770Y-2
--