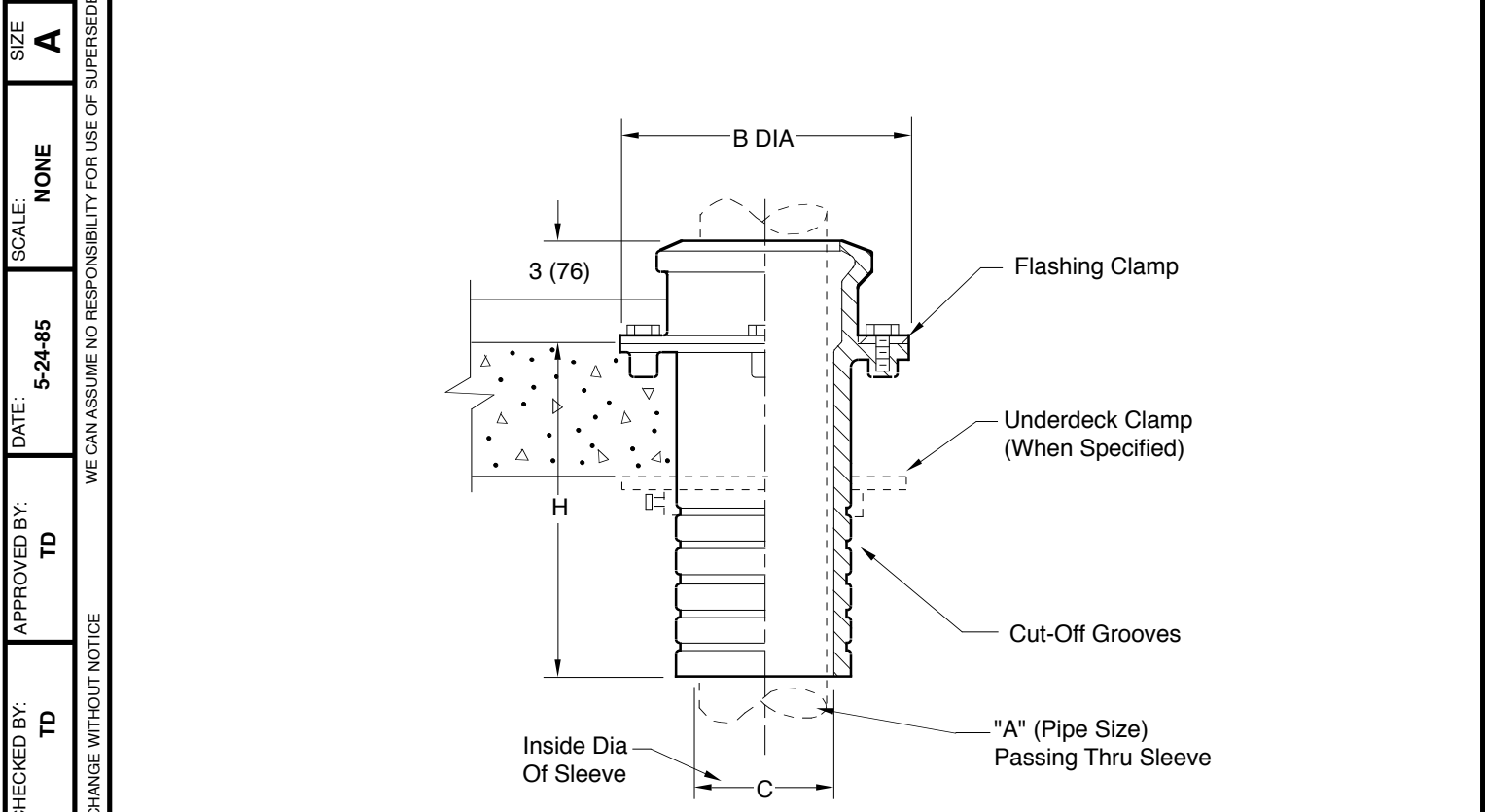


ROOF ACCESSORY

STACK OR WALL SLEEVE

FUNCTION: Used as a watertight sleeve for piping which passes through concrete floors and walls. Sleeve has integral cast flashing flange for use in waterproof floors. After riser is passed through sleeve, a waterproof caulked joint is made at the top hub. This prevents any water leakage along the riser from one floor to another.



NOTE: Dimensions shown in parentheses are in millimeters.

Fig. 1720SH
 H=5(125), -10(255) or -14"(355)
 (Specify Height)

A SIZE	050 (15)	0125 (30)	0250 (65)	04 (100)	05 (125)	06 (150)	08 (200)	10 (255)	12 (305)
Δ	075 (20)	0150 (40)	03 (75)						
	01 (25)	02 (50)							
B DIA	5 (125)	6 3/4 (170)	7 1/2 (190)	8 1/2 (215)	9 1/2 (240)	10 1/2 (265)	13 1/2 (345)	15 1/2 (395)	19 (485)
C DIA	1 1/2 (38)	2 3/4 (70)	3 3/4 (95)	4 3/4 (120)	5 3/4 (145)	6 3/4 (170)	9 (230)	11 1/4(285)	13 1/4 (335)

Δ A nominal size for standard XH soil pipe or schedule 40 steel pipe.

REGULARLY FURNISHED:
 Duco Cast Iron Body with Flashing Clamp.

VARIATIONS:
 Underdeck Clamp -C

OPTIONAL MATERIALS:
 Galvanized Cast Iron -G

1720

DIMENSIONS ARE SUBJECT TO MANUFACTURERS TOLERANCE AND CHANGE WITHOUT NOTICE

FIGURE NUMBER	1720	C B A	6-16-99 4-7-97 6-15-93	Revised Millimeters Added Millimeters Submittal Update	CMD EMB EMB	BS BS BS	WEIGHT POUNDS	VOLUME CUBIC FEET	FIGURE NUMBER 1720
REV.	DATE	DESCRIPTION			BY	CKD. BY			