

P

DRAWING NUMBER  
S1072,1075

SIZE  
A

SCALE:  
NONE

DATE:  
5-17-66

APPROVED BY:  
BS

CHECKED BY:  
BS

DRAWN BY:  
WN

1072,1075

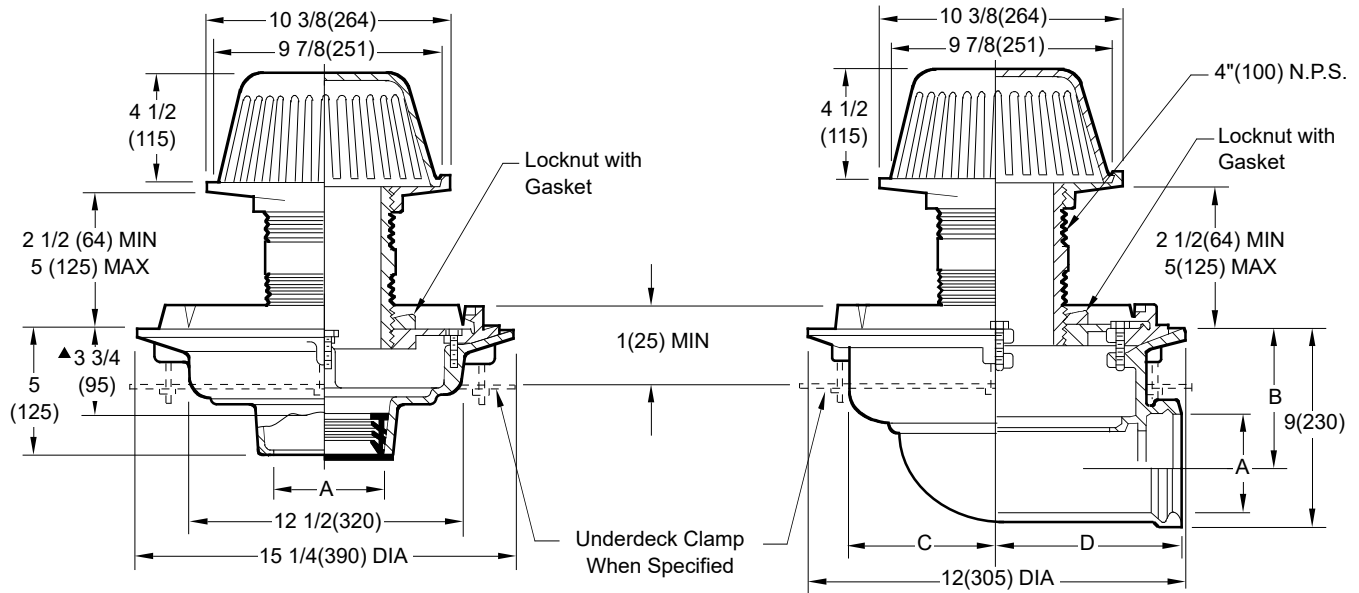
FIGURE NUMBER

WE CAN ASSUME NO RESPONSIBILITY FOR USE OF SUPERSEDED OR VOID DATA

DIMENSIONS ARE SUBJECT TO MANUFACTURERS TOLERANCE AND CHANGE WITHOUT NOTICE

# WATER DAM TYPE ROOF DRAIN

## WITH ADJUSTABLE OVERFLOW AND PROTECTIVE DOME



A (Pipe Size) = 02(50), 03(75) or 04(100)

Fig. 1072C . . . . .CAULK OUTLET  
 Fig. 1072Y . . . . .NO-HUB OUTLET

Fig. 1075T . . . . .THREADED OUTLET

▲ This Dimension to Internal Stop of Speedi-set® Gasket.

<b>A</b>	2(50)	3(75)	4(100)
<b>B</b>	6 7/8(175)	6 3/8(162)	5 7/8(149)
<b>C</b>	4 3/4(120)	4 3/4(120)	4 3/4(120)
<b>D</b>	6(150)	6(150)	6(150)

**REGULARLY FURNISHED:**  
All Duco Cast Iron.

**VARIATIONS:**  
 Extension (Specify Height) -E  
 Secondary Flashing Clamp -C2  
 Underdeck Clamp -C  
 Sump Receiver -R

**OPTIONAL MATERIALS:**  
 All Galvanized -G  
 Bronze Dome -RBD  
 Aluminum Dome -AD

**NOTE:** 02(50), 03(75) & 04(100) sizes require a transition collar (not shown in above illustration) which fits between the body & collar.

**NOTE:** Dimensions shown in parentheses are in millimeters.

P	9-28-23	Removed Function	HS	CL	WEIGHT POUNDS	VOLUME CUBIC FEET	FIGURE NUMBER <b>1072, 1075</b>
N	3-8-23	Added ® to "Speedi-Set"	KK	CL			
M	7-30-19	Removed NOTE	MW	CL			
L	10-14-15	Added Flow Rate Note	TBW	BW			
REV.	DATE	DESCRIPTION	BY	CKD. BY			