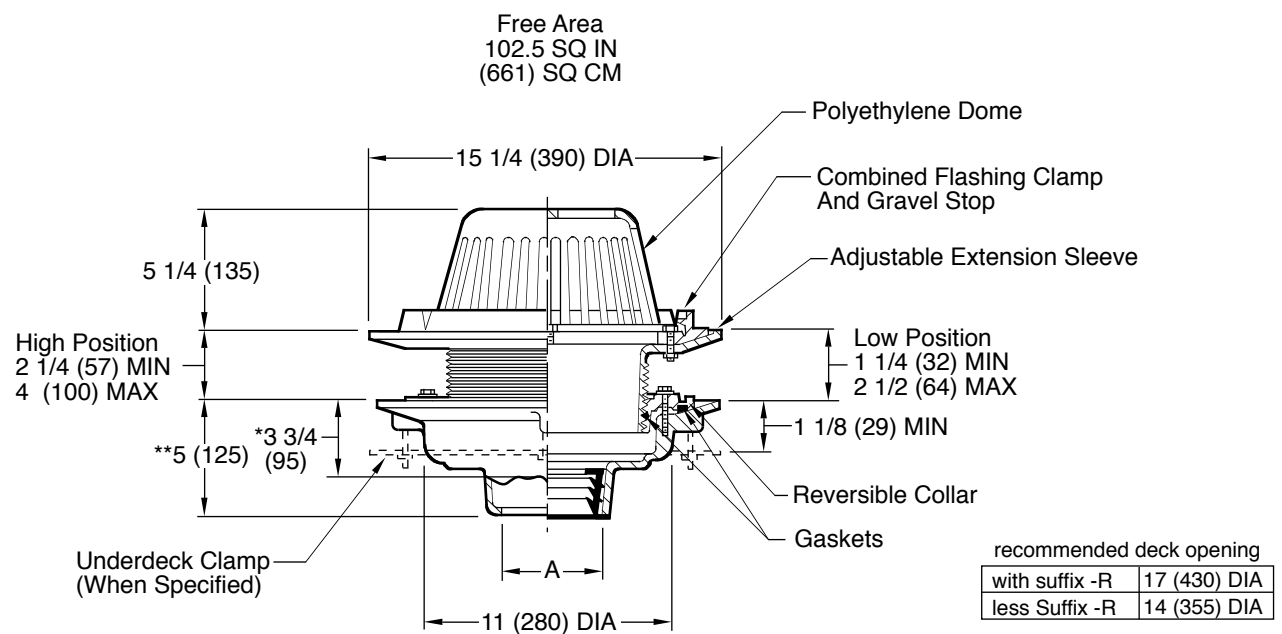


GENERAL PURPOSE ROOF DRAINS

ROOF DRAIN WITH ADJUSTABLE EXTENSION

FUNCTION: Used in flat roofs of any construction. The adjustable extension sleeve permits adjustment from a minimum of 1 1/4" (32) to a maximum of 4" (100), easily accommodating up to 2 3/4"(70) of varying insulation thicknesses. The positive threading allows smooth perimeter movement and circumferential support of the top at any adjusted elevation. Large low profile dome provides sufficient free area for quick drainage of rainwater and protection against debris.



*This dimension to internal stop of Speedi-Set Gasket
 **Same for Caulk, NO-HUB and Speedi-Set, 3 3/4 (95) for Threaded

Fig. 1015C CAULK OUTLET
 Fig. 1015Y NO-HUB OUTLET

REGULARLY FURNISHED:

Duco Cast Iron Body with Adjustable Extension Sleeve, Reversible Collar, Combined Flashing Clamp and Gravel Stop with Polyethylene Dome.

Note: See reverse side for assembly instructions.

NOTE: Dimensions shown in parentheses are in millimeters.

VARIATIONS:

- Expansion Joint (Specify Fig. 1710)
- "L" Shaped Underdeck Clamp -CL
- L Speedi-Set Service Weight 02(50), 03(75) & 04(100)" sizes only
- LXH Speedi-Set Extra Heavy 02(50), 03(75) & 04(100)" sizes only
- Secondary Flashing Clamp -C2
- Sump Receiver -R
- Underdeck Clamp -C
- Vandal Proof Dome -U
- Side Outlet Drain (Specify Fig. 1025)
- T Threaded Outlet

OPTIONAL MATERIALS:

- ▲ Aluminum Dome -AD
- ▲ Cast Iron Dome -CID
- ▲ Galvanized Cast Iron -G
- ▲ Rough Bronze Dome -RBD

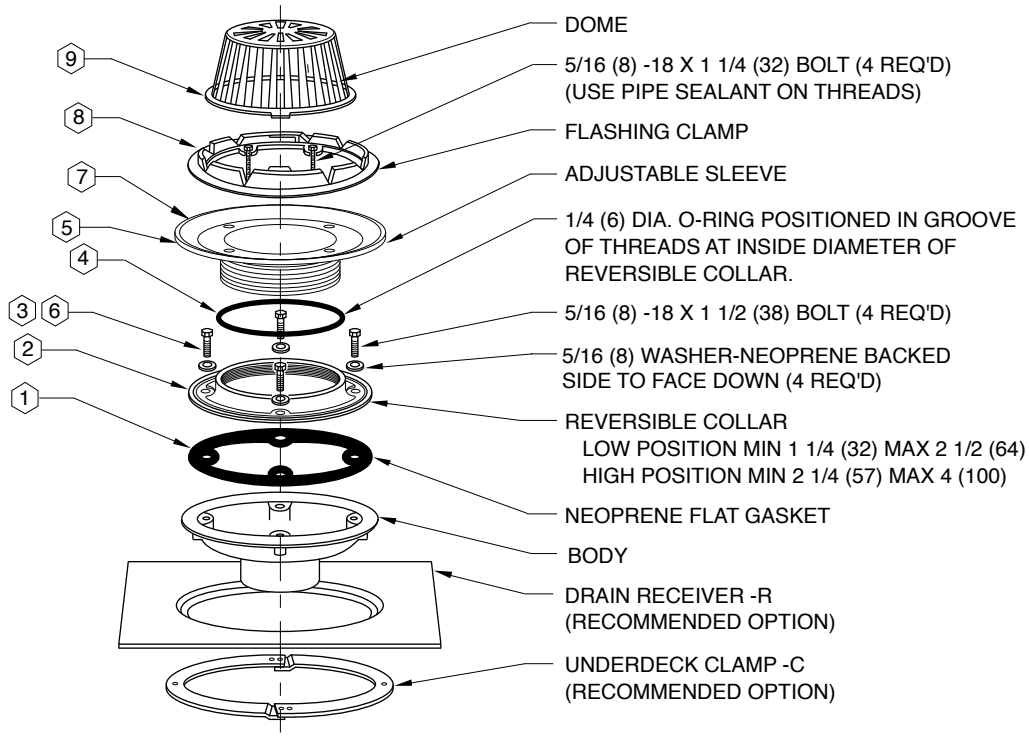
▲ Optional domes' free area are as follows:

Aluminum	98 (632)
Cast Iron	80 (516)
Bronze	95 (613)

DRAWING NUMBER S1015
 SIZE A
 SCALE: NONE
 DATE: 12-19-84
 APPROVED BY: JD
 CHECKED BY: VGD
 DRAWN BY: CMB
 1015
 DIMENSIONS ARE SUBJECT TO MANUFACTURERS TOLERANCE AND CHANGE WITHOUT NOTICE
 FIGURE NUMBER

N	7-30-19	Removed NOTE	MW	CL	WEIGHT	VOLUME	FIGURE NUMBER
M	8-18-15	Added Flow Rate Note	TBW	BW	POUNDS	CUBIC FEET	1015
L	06/01/09	Added Optional Dome Notes	JJ	CL			
K	12-15-06	Added Note	RN	CL			
REV.	DATE	DESCRIPTION	BY	CKD. BY			

ADJUSTABLE ROOF DRAIN



- | | |
|---|---|
| <ul style="list-style-type: none"> ① Position flat gasket on drain body, align holes in gasket with holes in body. ② Determine if reversible collar is to be installed in the low (1 1/4" to 2 1/2") or high (2 1/4" to 4") position. ②a Place reversible collar on body and align holes in collar with holes in gasket and body. ③ Secure collar to body with 1 1/2" long bolts insuring neoprene backed washers are installed with neoprene side facing down at proper locations between top of reversible collar and bolt head. Tighten bolts in the following manner: 1, 3, 2 & 4. Tighten No. 1 bolt approximately one full turn then No. 3, No. 2 and No. 4 (same manner as for No. 1). Continue this method until reversible ring has been secured evenly all around. ④ Wipe "O" Ring recess in reversible collar clean. Insert dry "O" Ring in groove of threads at inside diameter of reversible collar. Lubricate the face of "O" Ring in it's entirety with (1) tube of the lubricant provided and remaining threads. | <ul style="list-style-type: none"> ⑤ Lubricate liberally the entire lead-in chamfer and first 2 threads of the adjustable sleeve. Thread adjustable sleeve into reversible collar and adjust to required height. Do not exceed minimum/maximum adjustment dimensions. ⑥ Check bolts a final time to insure tightness. ⑦ Run waterproofing membrane over top of adjustable sleeve to inside of bolt circle. ⑧ Install flashing clamp and secure with (4) bolts, use pipe sealant on threads. Again tighten bolts in the 1, 3, 2, 4 manner. (See ③) ⑨ Install Dome |
|---|---|

NOTE: Dimensions shown in parentheses are in millimeters.

DRAWING NUMBER: S1015BS
 SIZE: A
 SCALE: NONE
 DATE: 6-29-88
 APPROVED BY: TD
 CHECKED BY: MCD
 DRAWN BY: EMB
1015BS
 DIMENSIONS ARE SUBJECT TO MANUFACTURERS TOLERANCE AND CHANGE WITHOUT NOTICE

J H G F	7-30-19 8-18-15 1-13-15 12-15-06	Removed NOTE Added Flow Rate Note Rev. Callouts, Text Rev. Dwg.	MW TBW TBW RN	CL BW CL CL	WEIGHT POUNDS	VOLUME CUBIC FEET	FIGURE NUMBER <h1 style="margin: 0;">1015BS</h1>
REV.	DATE	DESCRIPTION	BY	CKD. BY			