

A

**SMITH® JAY R. SMITH MFG. CO.®**  
 MEMBER OF MORRIS GROUP INTERNATIONAL  
 POST OFFICE BOX 3237  
 MONTGOMERY, ALABAMA 36109-0237 (USA)  
 TEL: 334-277-8520 FAX: 334-272-7396 www.jrsmith.com



LOCATION

DRAWING NUMBER  
S0832

SIZE  
A

SCALE:  
NONE

DATE:  
6-9-83

APPROVED BY:  
TD

CHECKED BY:  
TD

DRAWN BY:  
CR

0832

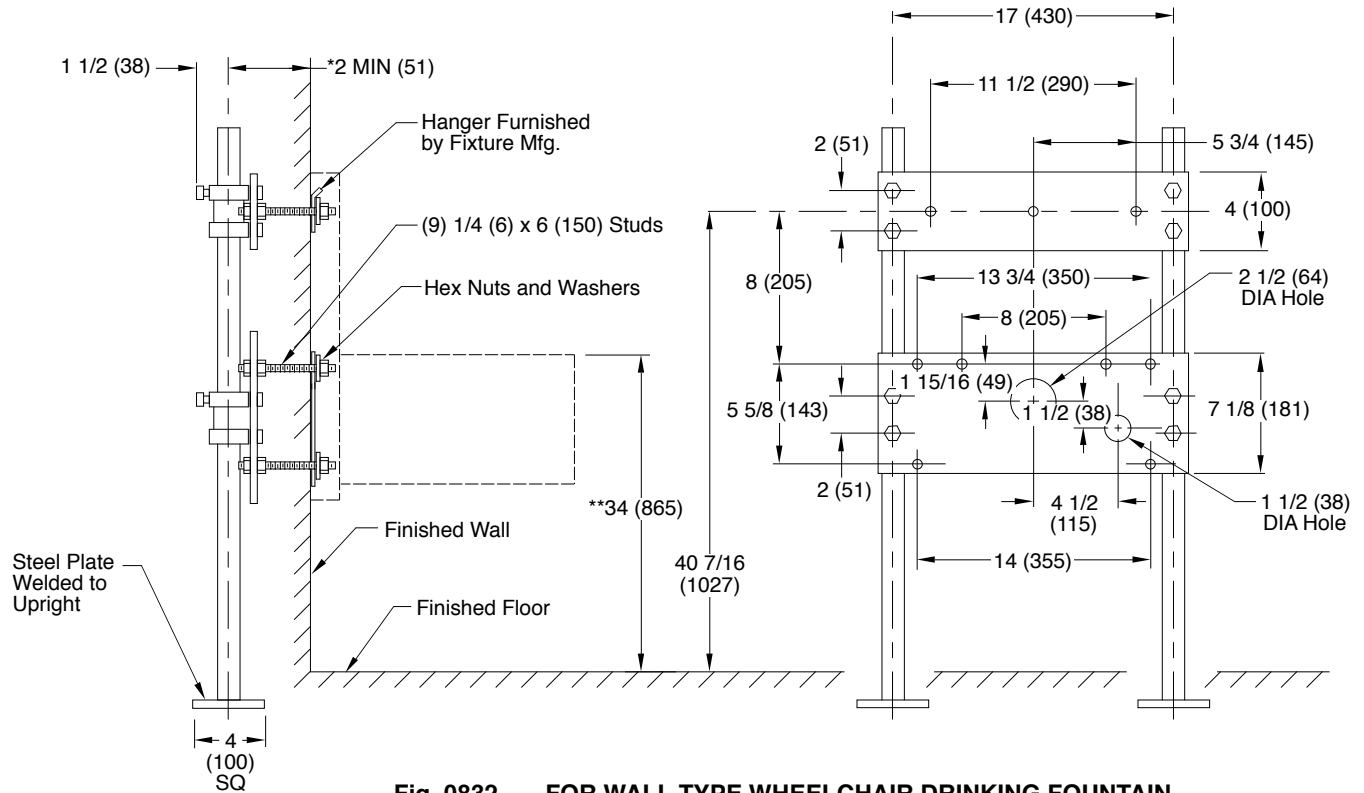
FIGURE NUMBER

WE CAN ASSUME NO RESPONSIBILITY FOR USE OF SUPERSEDED OR VOID DATA

DIMENSIONS ARE SUBJECT TO MANUFACTURERS TOLERANCE AND CHANGE WITHOUT NOTICE

# FIXTURE SUPPORT FLOOR MOUNTED

## WITH SUPPORTING PLATES AND STUDS

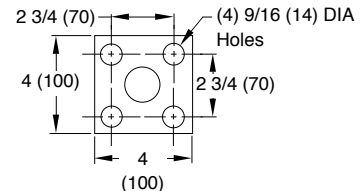


**Fig. 0832 . . . FOR WALL TYPE WHEELCHAIR DRINKING FOUNTAIN**

MFGR. ELKAY MODEL EDFP - 14  
 Furnished with 48" (1220) Uprights

**NOTES:**

- \*This dimension includes wall thickness of 1/2" (13). For greater wall thickness, specify centerline of upright to finished wall dimension.
- \*\*Check local codes for exact height



**BASE DETAIL**

**NOTE:** The rough-in dimensions listed on this drawing are based on current information available to Jay R. Smith by the fixture manufacturers. We recommend that you verify these dimensions with the fixture manufacturer. We will not accept responsibility for rough-in dimension changes by the fixture manufacturer.

**NOTE:** Dimensions shown in parenthesis are in millimeters.

REV.	DATE	DESCRIPTION	BY	CKD. BY
A	4-10-95	Submittal Update	EMB	

WEIGHT POUNDS	VOLUME CUBIC FEET

<b>FIGURE NUMBER</b>
<b>0832</b>