

FIXTURE SUPPORT - FLOOR MOUNTED WITH PLATE AND STUDS

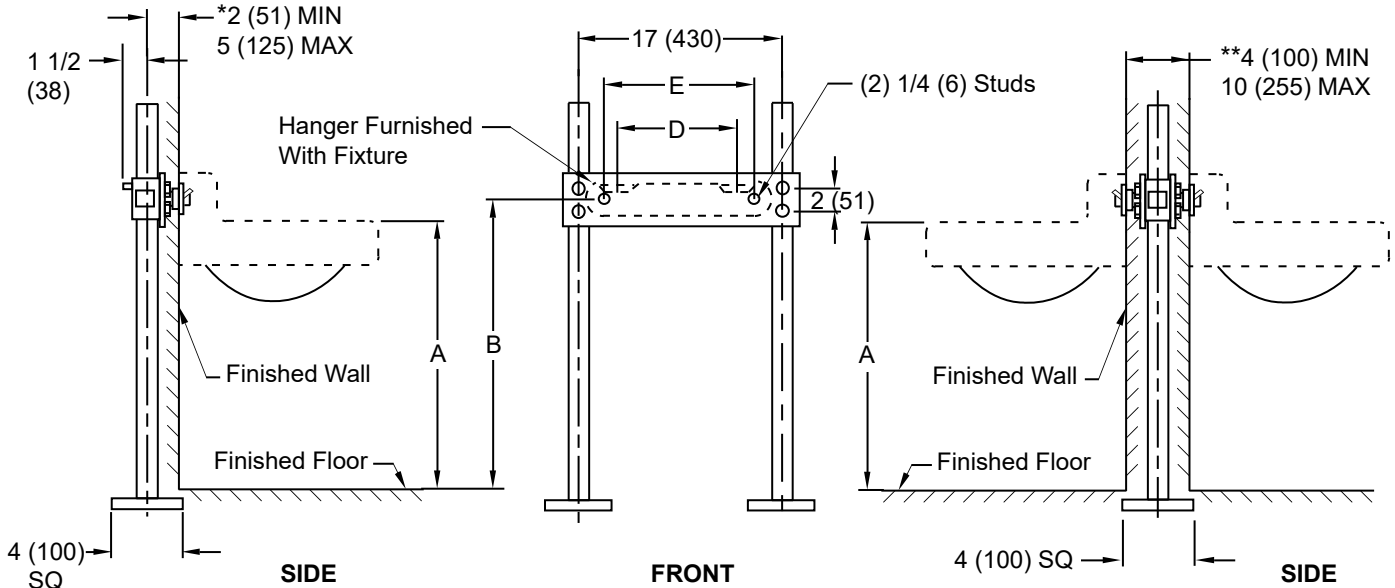


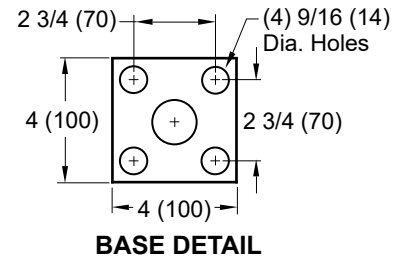
Fig. 0800 . . . FOR HIGH BACK LAVATORIES WITH CONCEALED WALL HANGER
Fig. 0800D . . . FOR HIGH BACK LAVATORIES WITH CONCEALED WALL HANGER

*This dimension can be increased when fixture support is to be installed behind the wall (specify when required and wall thickness).

**This dimension can be increased when required (specify wall thickness)

NOTE: The rough-in dimensions listed on this drawing are based on current information available to Jay R. Smith by the fixture manufacturers. We recommend that you verify these dimensions with the fixture manufacturer. We will not accept responsibility for rough-in dimension changes by the fixture manufacturer.

NOTE: Dimensions shown in parenthesis are in millimeters.



ROUGHING-IN TABLE

FIXTURE MFG.	NAME	NUMBER	SIZE	A	B	D	E
AM. STD.	LUCERNE	0355.012	20 (510) x 18 (455)	31 (785)	32 1/8 (816)	8 3/4 (220)	9 5/8 (245)
AM. STD.	LUCERNE	0356.015	20 (510) x 18 (455)	31 (785)	32 1/8 (816)	8 3/4 (220)	9 5/8 (245)
AM. STD.	LUCERNE	0356.421	20 (510) x 18 (455)	31 (785)	32 1/8 (816)	8 3/4 (220)	9 5/8 (245)
KOHLER	CHESAPEAKE	K-1721, 23, 29	20 (510) x 18 (455)	31 (785)	30 3/4 (781)	8 1/4 (210)	9 1/4 (235)
KOHLER	CHESAPEAKE	K-1722, 24, 28	19 (483) x 17 (432)	31 (785)	30 3/4 (781)	8 1/4 (210)	9 1/4 (235)
KOHLER	BREHAM	K-1997	22 (559) x 19 3/4 (502)	31 (785)	28 1/2 (724)	8 1/4 (210)	10 1/4 (260)
KOHLER	BREHAM	K-1999	22 (559) x 19 3/4 (502)	31 (785)	28 1/2 (724)	8 1/4 (210)	9 1/4 (235)
KOHLER	KINGSTON	K-2005, 6, 7	20 (510) x 18 (455)	31 (785)	33 1/4 (845)	8 1/4 (210)	9 1/4 (235)
KOHLER	GREENWICH	K-2030, 1, 2, 4, 6	20 (510) x 18 (455)	31 (785)	33 1/4 (845)	8 1/4 (210)	9 1/4 (235)
TOTO	WALL HUNG LAV	LT 307	20 (510) x 18 (455)	34 (864)	AS REQ'D	7 1/8 (181)	9 5/8 (245)

Conforms to ASME A112.6.1M.

DRAWING NUMBER: **S0800, 0800D**
 SIZE: **A**
 SCALE: **NONE**
 DATE: **11-7-84**
 APPROVED BY: **JD**
 CHECKED BY: **JD**
 DRAWN BY: **VGD**
0800, 0800D
 FIGURE NUMBER

WE CAN ASSUME NO RESPONSIBILITY FOR USE OF SUPERSEDED OR VOID DATA
 DIMENSIONS ARE SUBJECT TO MANUFACTURERS TOLERANCE AND CHANGE WITHOUT NOTICE

REV.	DATE	DESCRIPTION	BY	CKD. BY	WEIGHT POUNDS	VOLUME CUBIC FEET	FIGURE NUMBER
							0800, 0800D