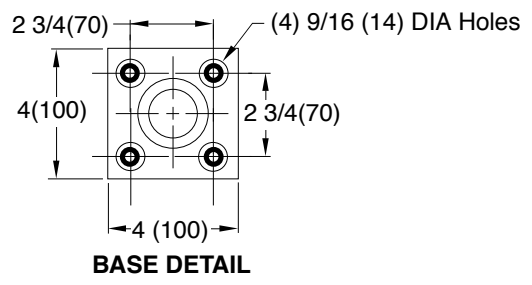
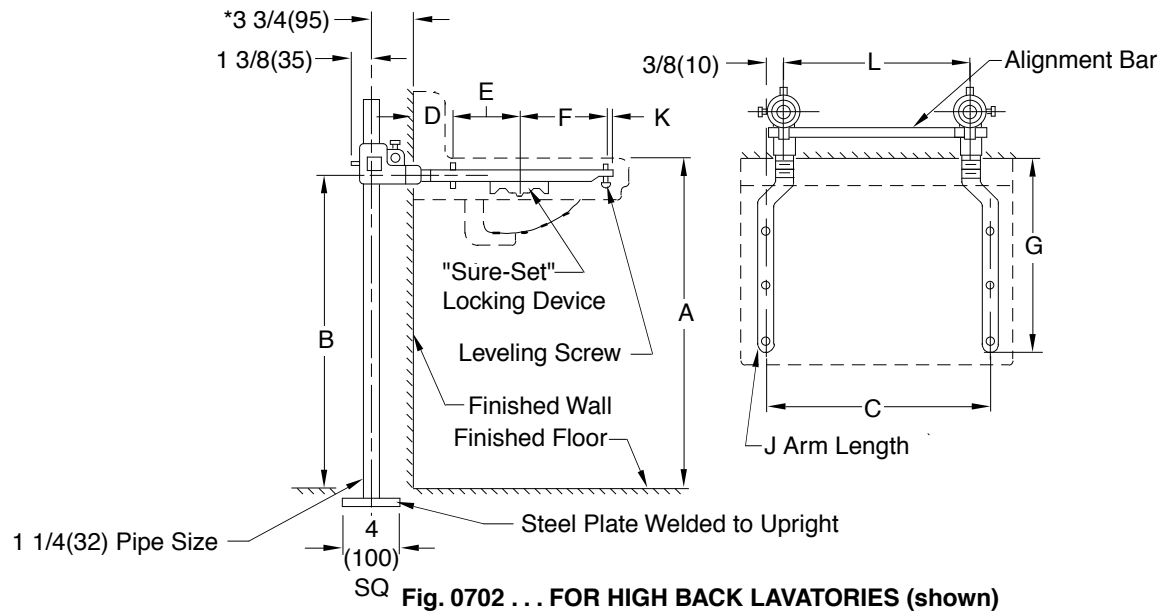


LAVATORY SUPPORTS WITH CONCEALED ARMS

FLOOR MOUNTED TYPE WITH "PRO-SET" UPRIGHTS



NOTE: The rough-in dimensions listed on this drawing are based on current information available to Jay R. Smith by the fixture manufacturers. We recommend that you verify these dimensions with the fixture manufacturer. We will not accept responsibility for rough-in dimension changes by the fixture manufacturer.

ROUGHING-IN TABLE

FIXTURE NAME				NUMBER				SIZE		
A	B	C	D	E	F	G	J	K	L	

NOTE: *This dimension can be increased when fixture support is to be installed behind the wall. (Specify when required and wall thickness).

DRAWING NUMBER: S0702 (B)
 SIZE: A
 SCALE: NONE
 DATE: 4-8-85
 APPROVED BY: RP
 CHECKED BY: TD
 DRAWN BY: WZ
 FIGURE NUMBER: 0702
 DIMENSIONS ARE SUBJECT TO MANUFACTURERS TOLERANCE AND CHANGE WITHOUT NOTICE
 WE CAN ASSUME NO RESPONSIBILITY FOR USE OF SUPERSEDED OR VOID DATA

C	10-7-98	Added Note Submittal Update	CMD	BS	WEIGHT POUNDS	VOLUME CUBIC FEET	FIGURE NUMBER 0702
B	10-10-94		EMB				
REV.	DATE	DESCRIPTION	BY	CKD. BY			