

LAVATORY SUPPORTS

WITH CONCEALED ARMS FOR NARROW WALL INSTALLATION

FLOOR MOUNTED TYPE WITH "PRO-SET" UPRIGHTS

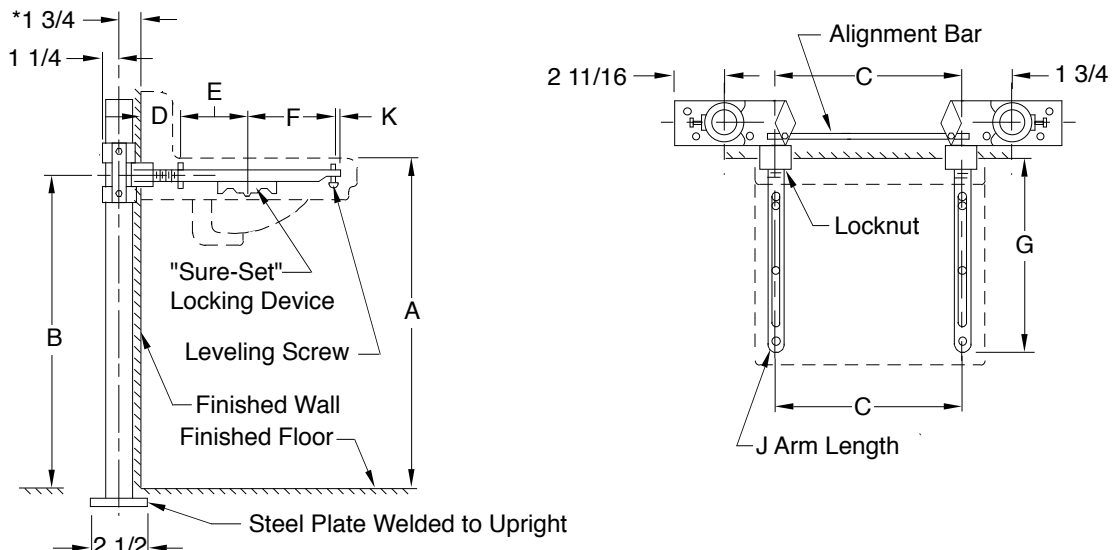
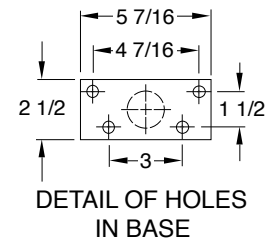


Fig. 0700 (-Z) . . . FOR HIGH BACK LAVATORIES (shown)

NOTE: The rough-in dimensions listed on this drawing are based on current information available to Jay R. Smith by the fixture manufacturers. We recommend that you verify these dimensions with the fixture manufacturer. We will not accept responsibility for rough-in dimension changes by the fixture manufacturer.



ROUGHING-IN TABLE

FIXTURE NAME				NUMBER			SIZE	
A	B	C	D	E	F	G	J	K

NOTE: *This dimension can be increased when fixture support is to be installed behind the wall. (Specify when required and wall thickness).

0700 (-Z)

DRAWING NUMBER
S0700 (-Z) (B)

SIZE
A

SCALE:
NONE

DATE:
12-21-71

APPROVED BY:
TD

CHECKED BY:
RP

DRAWN BY:
TO

WE CAN ASSUME NO RESPONSIBILITY FOR USE OF SUPERSEDED OR VOID DATA

DIMENSIONS ARE SUBJECT TO MANUFACTURERS TOLERANCE AND CHANGE WITHOUT NOTICE

FIGURE NUMBER	D C	10/27/10 10-7-94	Updated Drawing Submittal Update	JJ EMB	CL	WEIGHT POUNDS	VOLUME CUBIC FEET	FIGURE NUMBER 0700 (-Z)
REV.	DATE	DESCRIPTION		BY	CKD. BY			