

LAVATORY SUPPORTS WITH CONCEALED ARMS

FLOOR MOUNTED WITH RECTANGULAR 1(25) X 3(76) "PRO-SET" UPRIGHTS

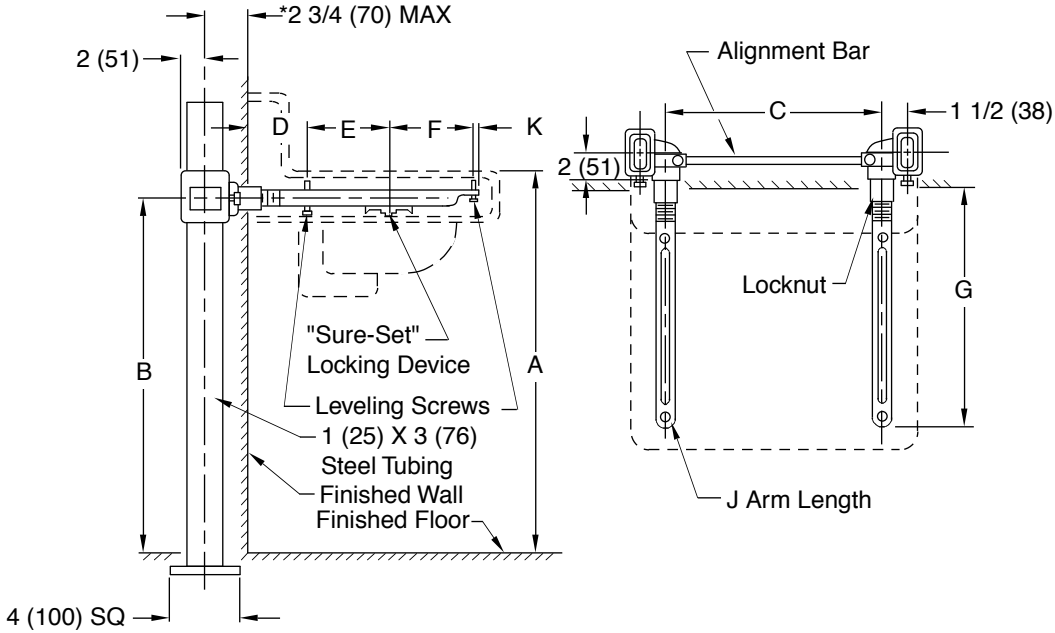
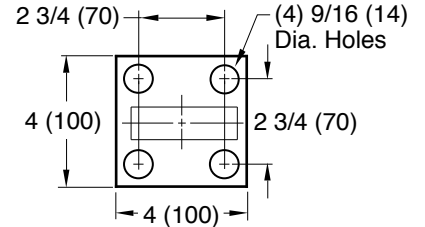


Fig. 0700 (-M31) . . . FOR HIGH BACK LAVATORIES (shown)

NOTE: The rough-in dimensions listed on this drawing are based on current information available to Jay R. Smith by the fixture manufacturers. We recommend that you verify these dimensions with the fixture manufacturer. We will not accept responsibility for rough-in dimension changes by the fixture manufacturer.

NOTE: Dimensions shown in parentheses are in millimeters.

NOTE: Front leveling screws should protrude 1"(25) above arms.



BASE DETAIL

ROUGHING-IN TABLE

FIXTURE NAME				NUMBER			SIZE	
A	B	C	D	E	F	G	J	K

*This dimension includes wall thickness of 1/2" (13). For greater wall thickness, specify centerline of upright to finished wall dimension.

0700 (-M31)

DRAWING NUMBER: S0700 (-M31) (B) | SIZE: A | SCALE: NONE | DATE: 2-2-70 | APPROVED BY: AB | CHECKED BY: RLK | DRAWN BY: RLK | DIMENSIONS ARE SUBJECT TO MANUFACTURERS TOLERANCE AND CHANGE WITHOUT NOTICE

H G F E	10/25/10 01/08/08 1-31-97 6-12-95	Revised Base Plate Revised Base Plate Added dimensions Added Millimeters	JJ JJ CMD EMB	CL BS BS BS	WEIGHT POUNDS	VOLUME CUBIC FEET	FIGURE NUMBER 0700 (-M31)
REV.	DATE	DESCRIPTION	BY	CKD. BY			