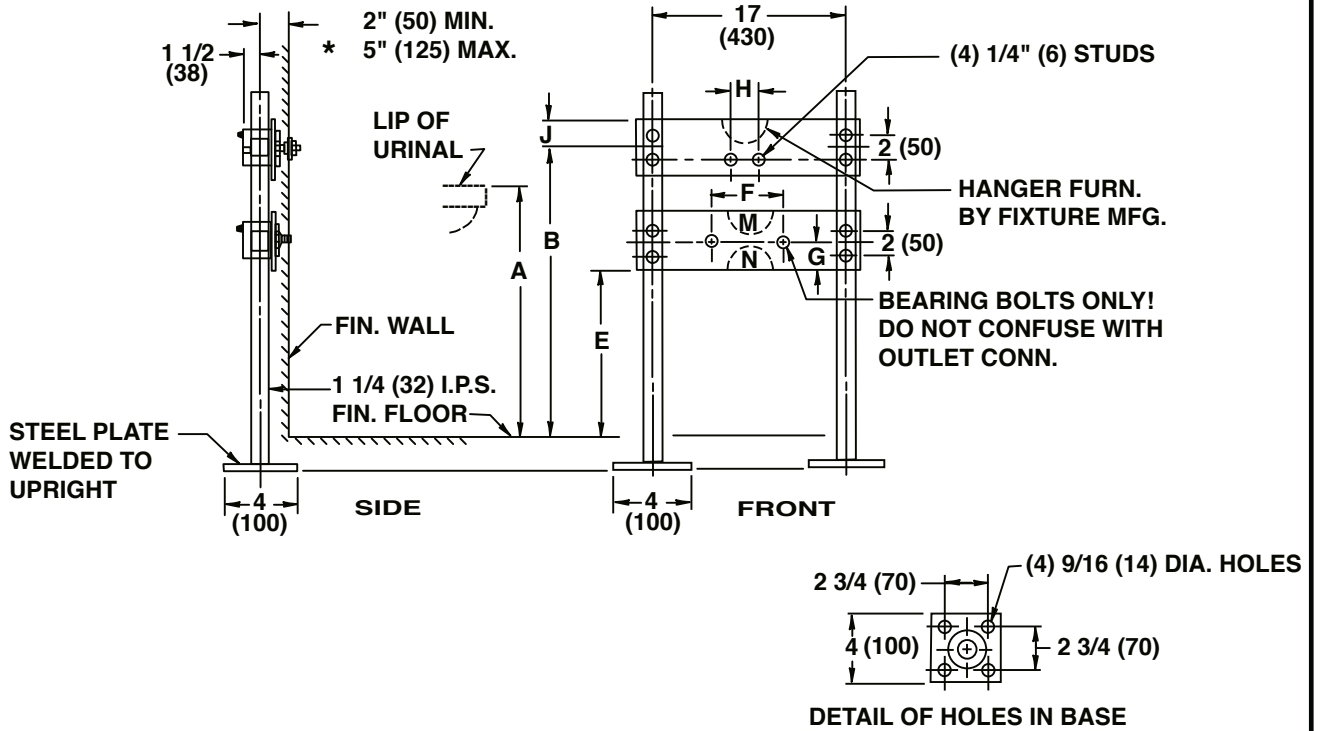


C  
 DRAWING NUMBER s0644  
 SIZE A  
 SCALE: NONE  
 DATE: 09/15/65  
 APPROVED BY:  
 CHECKED BY: R.P.  
 DRAWN BY: S.L.  
 0644

WE CAN ASSUME NO RESPONSIBILITY FOR USE OF SUPERSEDED OR VOID DATA.  
 DIMENSIONS ARE SUBJECT TO MANUFACTURER'S TOLERANCE AND CHANGE WITHOUT NOTICE.

**FIXTURE SUPPORT FLOOR MOUNTED TYPE  
 WITH TOP SUPPORTING PLATE AND BOTTOM BEARING PLATE  
 FOR BLOW-OUT AND WASHOUT URINALS WITH CONCEALED WALL HANGER**



**ROUGHING-IN TABLE**

FIXTURE MFG.		NAME		NUMBER				
A	B	E	F	G	H	J	M	N

**FURNISHED WHEN SPECIFIED**

CANTILEVER BASE SUPPORT AVAILABLE WHEN REQUIRED, ADD PREFIX "CB" TO FIG. NO.

\* THIS DIMENSION CAN BE INCREASED WHEN FIXTURE SUPPORT IS TO BE INSTALLED BEHIND THE WALL (SPECIFY WHEN REQUIRED AND THICKNESS.)

REV.	DATE	DESCRIPTION	BY	CKD. BY	WEIGHT POUNDS	VOLUME CUBIC FEET	FIGURE NUMBER
C	9-25-00	REDREW SUBMITTAL PAGE	RN	CEL			0644
B	3-17-80	WELDED BASES REPLACE CAST BLOCK BASE	TB	CL			
A	8-1-79	REVISED TOP SUPPORT PLATE	CO				