

D

SMITH® JAY R. SMITH MFG. CO.®
 MEMBER OF MORRIS GROUP INTERNATIONAL
 POST OFFICE BOX 3237
 MONTGOMERY, ALABAMA 36109-0237 (USA)
 TEL: 334-277-8520 FAX: 334-272-7396 www.jrsmith.com



LOCATION

DRAWING NUMBER
S0622

SIZE
A

SCALE:
NONE

DATE:
07/11/01

APPROVED BY:
AM

CHECKED BY:
CR

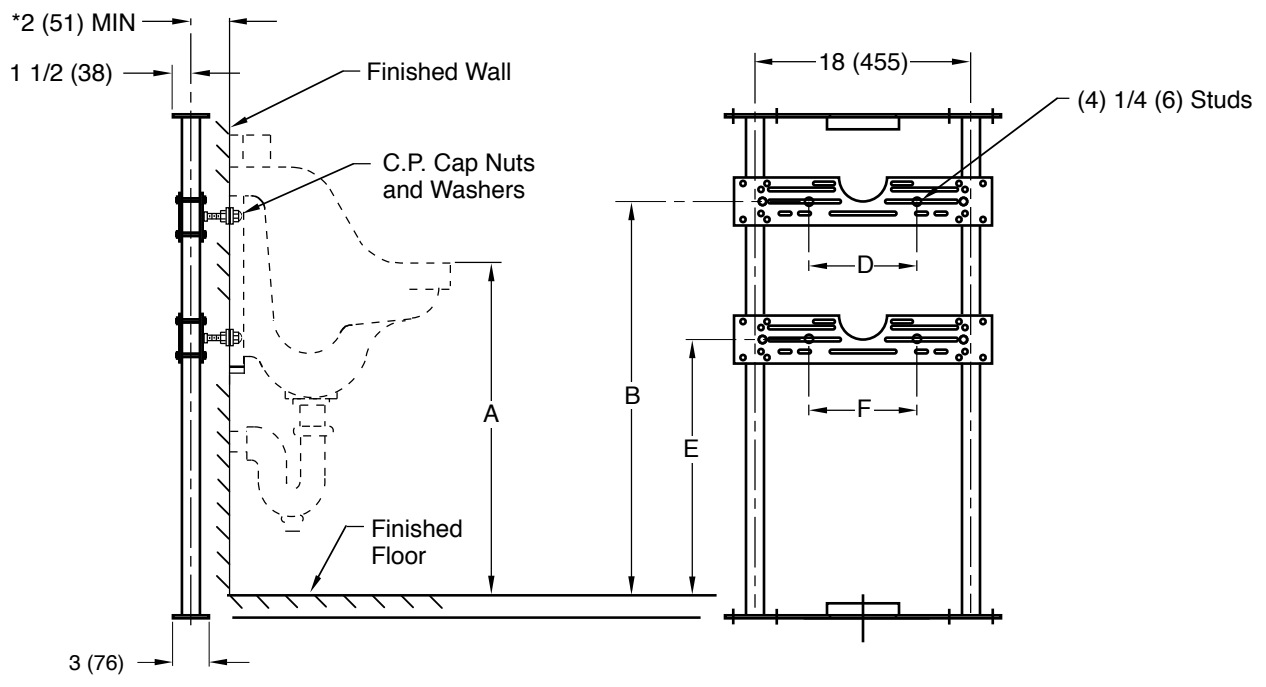
DRAWN BY:
JJ

FIGURE NUMBER
0622

WE CAN ASSUME NO RESPONSIBILITY FOR USE OF SUPERSEDED OR VOID DATA

LABOR SAVER® URINAL SUPPORT FLOOR MOUNTED TYPE WITH TOP AND BOTTOM SUPPORTING PLATES AND STUDS

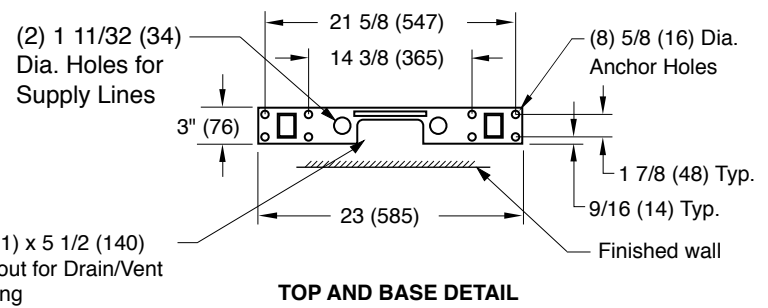
FOR WASHOUT URINALS



NOTE: The rough-in dimensions listed on this drawing are based on current information available to Jay R. Smith by the fixture manufacturers. We recommend that you verify these dimensions with the fixture manufacturer. We will not accept responsibility for rough-in dimension changes by the fixture manufacturer.

NOTE: *This dimension includes a wall thickness of 1/2". For greater wall thickness, specify centerline of upright to finished wall dimension.

NOTE: Dimensions shown in parentheses are in millimeters.



ROUGH-IN TABLE

FIGURE MFG.	NAME	NUMBER	SIZE	A	B	D	E	F

D	9-27-10	Added ® to LABOR SAVER Revised per George Flegel Changed Hole Size in Base Inserted new universal plate	RN	CL	WEIGHT POUNDS	VOLUME CUBIC FEET	FIGURE NUMBER 0622
C	12/05/02		JJ	AM			
B	12/19/01		JJ	AM			
A	09/19/01		JJ	AM			
REV.	DATE	DESCRIPTION	BY	CKD. BY			