



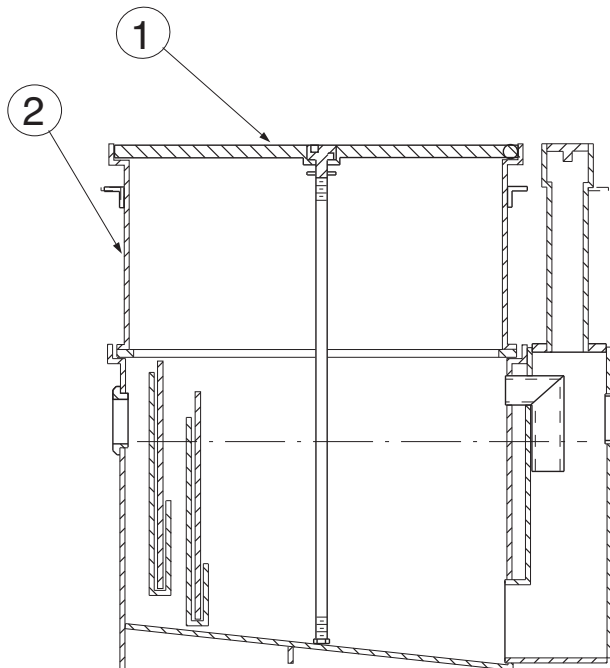
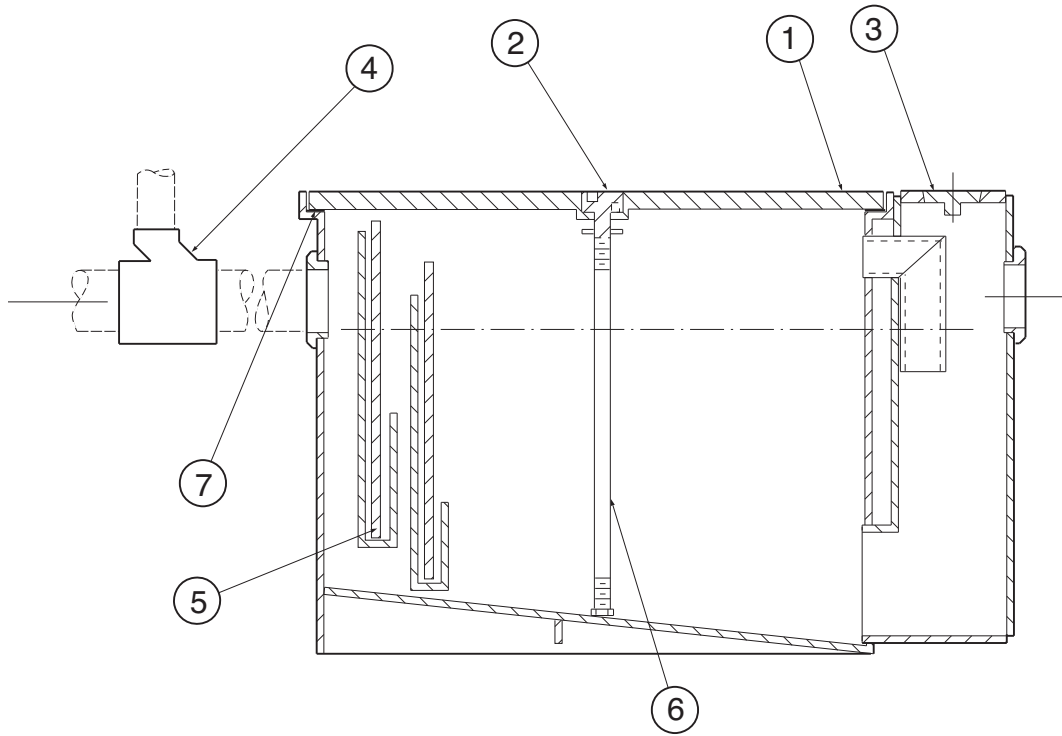
Jay R. Smith Mfg. Co.
Wholesaler's Parts Order Number Guide

8004 thru 8250

PART

DESCRIPTION

ITEM NUMBER



8004 thru 8250

**Jay R. Smith Mfg. Co.
Wholesaler's Parts Order Number Guide**



PART	DESCRIPTION	ITEM NUMBER
1, 2	CI Cover w/Lock & Lift Ring f/8004	8004-CICA
1, 2	CI Cover w/Lock & Lift Ring f/8007	8007-CICA
1, 2	CI Cover w/Lock & Lift Ring f/8010, 8210	8010-CICA
1, 2	CI Cover w/Lock & Lift Ring f/8015, 8215	8015-CICA
1, 2	CI Cover w/Lock & Lift Ring f/8020, 8220	8020-CICA
1, 2	CI Cover w/Lock & Lift Ring f/8025, 8225	8025-CICA
1, 2	CI Cover w/Lock & Lift Ring f/8035, 8235	8035-CICA
1, 2	CI Cover w/Lock & Lift Ring f/8050, 8250	8050-CICA
1, 2	Alum Cvr w/Lock & Lift Ring f/8004	8004CA/AL
1, 2	Alum Cvr w/Lock & Lift Ring f/8007	8007CA/AL
1, 2	Alum Cvr w/Lock & Lift Ring f/8010, 8210	8010CA/AL
1, 2	Alum Cvr w/Lock & Lift Ring f/8015, 8215	8015CA/AL
1, 2	Alum Cvr w/Lock & Lift Ring f/8020, 8220	8020CA/AL
1, 2	Alum Cvr w/Lock & Lift Ring f/8025, 8225	8025CA/AL
1, 2	Alum Cvr w/Lock & Lift Ring f/8035, 8235	8035CA/AL
1, 2	Alum Cvr w/Lock & Lift Ring f/8050, 8250	8050CA/AL
2	Lock & Lift Ring, ea	8000-LDK
3	Cleanout	
4	Flow Control Ftg, 2" for 8004	8004FC2
4	Flow Control Ftg, 2" for 8007	8007FC2
4	Flow Control Ftg, 2" for 8010, 8220	8010FC2
4	Flow Control Ftg, 2" for 8015, 8215	8015FC2
4	Flow Control Ftg, 3" for 8015, 8215	8015FC3
4	Flow Control Ftg, 3" for 8020, 8220	8020FC3
4	Flow Control Ftg, 4" for 8020, 8220	8020FC4
4	Flow Control Ftg, 3" for 8025, 8225	8025FC3
4	Flow Control Ftg, 4" for 8025, 8225	8025FC4
4	Flow Control Ftg, 3" for 8035, 8235	8035FC3
4	Flow Control Ftg, 4" for 8035, 8235	8035FC4
4	Flow Control Ftg, 3" for 8050, 8250	8050FC3
4	Flow Control Ftg, 4" for 8050, 8250	8050FC4
5	Set Removable Baffles f/8004	8004BAF-STL
5	Set Removable Baffles f/8007	8007BAF-STL
5	Set Removable Baffles f/8010	8010BAF-STL



**Jay R. Smith Mfg. Co.
Wholesaler's Parts Order Number Guide**

8004 thru 8250

PART	DESCRIPTION	ITEM NUMBER	
5	Set Removable Baffles f/8015, 8215	8015BAF-STL	
5	Set Removable Baffles f/8020, 8220	8020BAF-STL	
5	Set Removable Baffles f/8025, 8225	8025BAF-STL	
5	Set Removable Baffles f/8035, 8235	8035BAF-STL	
5	Set Removable Baffles f/8050, 8250	8050BAF-STL	
6	Hardware f/8004, Stud, Wshr, Nut, Gasket	8004-HWK	
6	Hardware f/8007, Stud, Wshr, Nut, Gasket	8007-HWK	
6	Hardware f/8010, Stud, Wshr, Nut, Gasket	8010-HWK	
6	Hardware f/8015, Stud, Wshr, Nut, Gasket	8015-HWK	
6	Hardware f/8020, Stud, Wshr, Nut, Gasket	8020-HWK	
6	Hardware f/8025, Stud, Wshr, Nut, Gasket	8025-HWK	
6	Hardware f/8035, Stds, Wshrs, Nuts, Gskt	8035-HWK	
6	Hardware f/8050, Stds, Wshrs, Nuts, Gskt	8050-HWK	
7	Neoprene Gasket for 8004		
7	Neoprene Gasket for 8007	8007G	
7	Neoprene Gasket for 8010, 8210	8010G	
7	Neoprene Gasket for 8015, 8215	8015G	
7	Neoprene Gasket for 8020, 8220	8020G	
7	Neoprene Gasket for 8025, 8225	8025G	
7	Neoprene Gasket for 8035, 8235	8035G	
7	Neoprene Gasket for 8050, 8250	8050G	

NOTES

**Jay R. Smith Mfg. Co.
Wholesaler's Parts Order Number Guide**





Jay R. Smith Mfg. Co.
Wholesaler's Parts Order Number Guide

8510-E

PART	DESCRIPTION	ITEM NUMBER	
	Flow Control Fitting f/2" 8510	8510FC2	
	Flow Control Fitting f/2" 8515	8515FC2	
	Flow Control Fitting f/3" 8520	8520FC3	
	Flow Control Fitting f/3" 8525	8525FC3	
	Flow Control Fitting f/3" 8535	8535FC3	
	Flow Control Fitting f/3" 8550	8550FC3	
	Cast Iron Non-Skid Cover f/8510	8010-CICA	
	Cast Iron Non-Skid Cover f/8515	8515-CICA	
	Cast Iron Non-Skid Cover f/8520	8520-CICA	
	Cast Iron Non-Skid Cover f/8525	8525-CICA	
	Cast Iron Non-Skid Cover f/8535	8535-CICA	
	Cast Iron Non-Skid Cover f/8550	8550-CICA	
	For Cover Assemblies, see 8000 Series		

8710, 8715

**Jay R. Smith Mfg. Co.
Wholesaler's Parts Order Number Guide**



PART	DESCRIPTION	ITEM NUMBER	
------	-------------	-------------	--

Fig. 8710

1	Aluminum Cvr w/ Lift & Locking Device	8710CA	
2	Cover Gasket	8710GASKET	
3, 4, 5	Sediment Bucket w/Removable Stainless Steel Screens	8710B	
4	Stainless Steel Inlet Screen	71473-80-5	
5	Stainless Steel Outlet Screen	71474-80-5	

Fig. 8714

	Aluminum Cvr w/ Lift & Locking Device	8714CVR	
	Cover Gasket	8714GASKET	
	Bucket w/Screen	8714B	

Fig. 8715

1	Cast Iron Cover Assembly	8715CICA	
	Cast Iron Cover Only	8715CVR	
2	Locking Device	8715LD	
3	Stainless Steel Screens	8715FBSCRN	
4	Bucket w/Screens	8715B/S	
	Bucket Only	8715B	

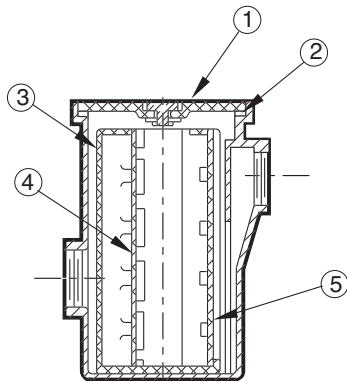


Fig. 8710

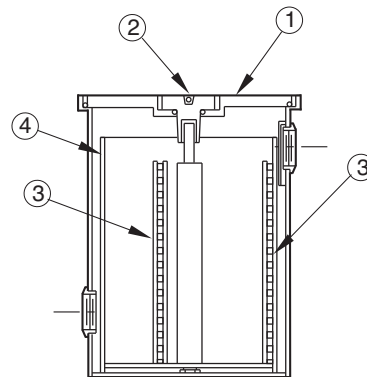


Fig. 8715



Jay R. Smith Mfg. Co.
Wholesaler's Parts Order Number Guide

8730, 8750, 8760

PART	DESCRIPTION	ITEM NUMBER	
------	-------------	-------------	--

Fig. 8730

1	CI Cover Assembly w/Hardware	8730CA
	Hardware only for Cover	8730CK
2	Cover Gasket	8730GKT
3	Set Removable SS Screens f/Inlet & Outlet	8730SCR
4	Aluminum Bucket w/ Removable Screens	8730B/S
	Bucket Only	8730B

Fig. 8750

1	Cast Iron Cover	8750CVR-CI
1	Chrome Plated Bronze Cover	8750CVR-CP
1	Chrome Plated Cast Iron Cover	8750CVR-CP1
1	Polished Bronze Cover	8750CVR-PB
2	Cover Gasket	8750CGASK
	Sediment Basket	8750B

Fig. 8760

1	Cast Iron Cover	04318-10-1
1	Chrome Plated Bronze Cover	8760CVR-CP
1	Chrome Plated Cast Iron Cover	04318-10-1C
1	Polished Bronze Cover	04318-54-71
2	Cover Gasket	8760CGASK
	Sediment Basket	8760B

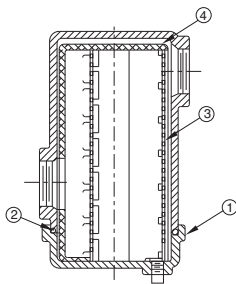


Fig.8730

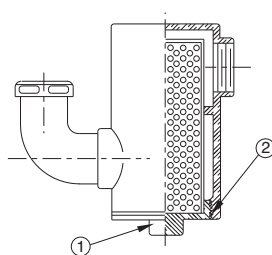


Fig. 8750

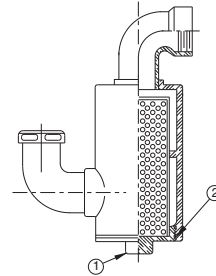


Fig. 8760