



JAY R. SMITH MFG. CO.

MEMBER OF MORRIS GROUP INTERNATIONAL



MORRIS/LEE, LTD.
Member of Emco Group



Canadian Smith Yellow Pages

PG-CA Product Guide

www.morrisleecan.com

SUPERSEDES ALL PREVIOUSLY
PUBLISHED TERMS AND CONDITIONS.
SUBJECT TO CHANGE WITHOUT NOTICE

GENERAL TERMS AND CONDITIONS



PRICE: All pricing in Canadian dollars. List prices are subject to industry discounts

TERMS: Two percent (2%) 15th of month following date of invoice. Net 30th. Interest chargeable at 24% annum. 2% per month on unpaid accounts after net payment has expired. Minimum invoice is \$30 net.

All orders are subject to credit approval by Jay R. Smith Mfg. Co. prior to the acceptance of an order. Orders may be refused, delivery may be withheld, or shipment stopped in transit without any liability on Jay R. Smith Mfg. Co.'s part if in its sole opinion, the Buyer's ability to pay for the merchandise or the terms and conditions herein are in doubt. Jay R. Smith Mfg. Co. must be notified of potential pricing errors within 30 days of invoice date.

FREIGHT: F.O.B. shipping point.

Full freight allowance will be applied on all releases of \$3,500 or more NET, released at one time, via regular Rail or Truck Forwarding. (This applies to shipments in Canada only.)

Add orders can be applied to any qualified release for full freight allowance providing shipment of original release has not been made. Full freight will be allowed on all back orders.

TAXES: All taxes imposed under existing or future statutes will be added to the price herewith effective and shall be paid by the buyer.

SHIPMENT AND DELIVERY: Unless otherwise stated, materials will be shipped freight collect, and all freight is to be paid by the Buyer, but Seller reserves the option to prepay the freight by the carrier of Seller's choice. Buyer agrees to make all complaints for damage in transit or "short count" directly to the carrier; before the contents are unloaded to have the carrier's agent's acknowledgement of such damage noted on the bill of lading; and to present to the carrier its agent's acknowledgment of such damaged material with formal claim covering said damage. Shipping dates are estimates and time of delivery is not the essence of this sale of the contract therefore. Under no circumstances will the Seller have any responsibility on account of delays in manufacture, transportation or otherwise.

CANCELLATIONS: Cancellations or change in specifications or special material can only be honoured by written notice with the understanding that any charges incurred will be chargeable to purchaser.

LIMITED WARRANTY: All goods sold hereunder are warranted to be free from defects in material and factory workmanship for a period of one year from the date of purchase. We will replace goods at no cost that prove defective provided we are notified in writing of such defect and the goods are returned to us prepaid at Vaughan, Ontario with evidence that they have been properly maintained and used in accordance with instructions. **WE SHALL NOT BE RESPONSIBLE FOR ANY LABOR CHARGES OR ANY LOSS, INJURY, OR DAMAGES WHATSOEVER, INCLUDING INCIDENTAL OR CONSEQUENTIAL DAMAGES.** The sole and exclusive remedy shall be limited to the replacement of the defective goods. Before installation and use, the purchaser shall determine the suitability of the product for his intended use and the purchaser assumes all risk and liability in the connection therewith. Where permitted by law, **THE IMPLIED WARRANTY OF MERCHANTABILITY IS LIMITED TO A PERIOD OF ONE YEAR AND SHALL BE LIMITED SOLELY TO THE REPLACEMENT OF THE DEFECTIVE GOODS.** All weights stated in our catalogs and lists are approximate and are not guaranteed.

Seller makes no warranties of any kind except as may be specifically agreed upon in writing and no agent or representative is authorized to make any warranty.

RETURN GOODS: Standard cataloged material may be returned only with written permission of seller. Returned goods are subject to a 25% restocking charge plus costs of reconditioning, if necessary, to make material saleable. Transportation charges are the responsibility of the Buyer. Credit allowance will be in the form of merchandise credit only -- not cash credit. The value of a return must total at least \$100.00 to qualify for credit allowance. No credit will be allowed for parts unless originally ordered and invoiced as parts. No credit will be allowed for discontinued or made to order items. Items that have been specially made are not subject to return or cancellation. Material must be returned within one year of invoice date for credit to be issued.

Galvanized material will be credited at a value of painted iron; chrome plated and nickel bronze at the value of polished bronze. No credit will be allowed on auxiliary tappings.

ILLUSTRATIONS OF TYPICAL INSTALLATIONS: The typical installations for various products found in each product section are intended to illustrate the products and their options. Under no circumstances are they to be construed as recommended installation procedures. Consult local codes and project specifications for proper installation instructions.

GENERAL: Jay R. Smith Mfg. Co. reserves the right to make changes in design or equipment of any item or product without incurring any obligation on previously sold items, and to discontinue items at any time, without notice. Possession of catalogues or other sales literature is not to be construed as an offer to sell. All orders are subject to acceptance by the general office of Seller in Vaughan, Ontario.



TABLE OF CONTENTS



GENERAL INFORMATION	2
CONTRACTOR FRIENDLY PRODUCTS	5-24
FIXTURE SUPPORTS (Fig. 0100-0900 Series)	25-124
Technical Data.....	28-35
Closet Supports (0100-0600 Series)	36-103
Miscellaneous Urinal, Lavatory & Sink Supports	104
Lavatory & Sink Supports (0700-0900 Series)	105-124
ROOF DRAINS (Fig. 1000 Series)	125-157
GREEN ROOF DRAINS (Fig. 1900 Series)	158-160
Technical Data.....	127-128
FLOOR DRAINS (Fig. 2000 Series)	161-244
Technical Data	165
SANITARY DRAINS (Fig. 3000 Series)	245-274
Technical Data	248
CLEANOUTS (Fig. 4000 Series)	275-310
Technical Data.....	278-279
HYDROTROLS (Fig. 5000 Series)	311-316
Technical Data.....	313-314
HYDRANTS (Fig. 5500-5900 Series)	317-348
Technical Data.....	319-320
BACKWATER VALVES (Fig. 7000 Series)	349-355
Technical Data	350
INTERCEPTORS (Fig. 8000 Series)	357-382
GREASE+GARD®II	383-384
Technical Data.....	359-362
SPECIALTIES (Fig. 9000 Series)	385-409
Technical Data	386
CORROSION RESISTANCE DATA	409



TYPICAL PAGE

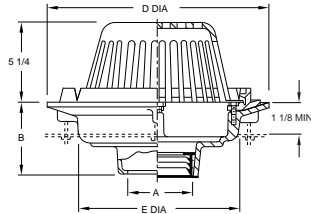
To help you use this price guide as an effective working aid, it has been organized to make specifying and ordering easy. Note the following highlights and features.



ROOF DRAINS

FIG. 1010 16" DIAMETER - LOW PROFILE DOME

FUNCTION: Used in flat roof of any construction. Large low profile dome provides sufficient free area for quick drainage of rain water & protects the drain sump and connected piping from the intrusion of debris. Wide clamping surface holds flashing & roofing materials without puncturing.



OUTLET VARIATIONS (Specify type of outlet and pipe size in inches.)

Outlet Type	Outlet Designation	"B" Body HT. DIM.
Inside Caulk	C02, C03, C04, C05, C06	5"
Speedi-Set SW	C08, C10	6"
Speedi-Set XH	L02, L03, L04	5"
Threaded	LXH02, LXH03, LXH04	5"
	T02, T03, T04, T05, T06	3 3/4"
	T08, T10	5"
No-Hub	Y02, Y03, Y04, Y05, Y06	5"
	Y08, Y10	6"
	Y12	7 3/4"

*This dimension is for 16" dia. flange size body. For 20" flange size body dimension is 7 3/4".

OPTIONS:

- AA Aluminum Body (2-6" only)
- C Aluminum Underdeck Clamp (15 & 16" Flange Bodies)
- C Cast Iron Underdeck Clamp (20" Flange Bodies)
- C2 Secondary Flashing Clamp
- CID Cl Dome (when not reg. furn.)
- CID8 8" High Cl Dome
- CIDG Cast Iron Dome with Galvanizing
- CL Angular Underdeck Clamp
- DE Deck Elevator Extension
- DID Drain Installation Device 2-6"
- E Extension up to 4" per inch over 4"
- G Galvanized Cl
- GRT Cl Grate in lieu of Dome
- PDSSM SS Mesh on Poly Dome
- R Sump Receiver (15 & 16" Flange Bodies)
- R Sump Receiver (20" Flange Bodies)
- RBD Rough Brz Dome
- RDP Roof Deck Plate (15 & 16" Flange)
- RDP Roof Deck Plate (20" Flange)
- SSM SS Mesh on Metal Dome (Specify Dome)
- U Vandal Proof Dome

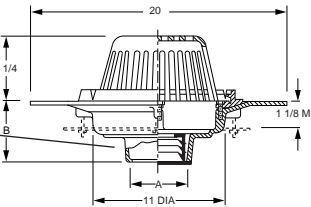
A OUTLET SIZE	D FLANGE DIA.	E DIA.	FREE AREA SQ IN	DUCO CI POLY DOME	DUCO CI W/ ALUM DOME	APPROX. WEIGHT LBS
02, 03, 04"	15 1/4"	11"	102.5			28
05, 06"	15 1/4"	11"	102.5			28
08"	16"	12 1/2"	102.5			30

A OUTLET SIZE	D FLANGE DIA.	E DIA.	FREE AREA SQ IN	DUCO CI POLY DOME	DUCO CI W/ ALUM DOME	APPROX. WEIGHT LBS
08"	20"	16"	228			34
10"	16"	12 1/2"	122.5			36
10"	20"	16"	228			36
12"	20"	16"	228			40

REGULARLY FURNISHED: Duco Cast Iron Body with Combined Flashing Clamp and Gravel Stop with Dome.

FIG. DX1010 WIDE FLANGE BODY - SECURED DOME

FUNCTION: For use in promenade roof deck and rooftop recreational areas where traffic bearing roof deck covering is to be applied. Drain body sump is protected from leaves, paper and other debris by large secured dome.



OUTLET VARIATIONS (Specify type of outlet and pipe size in inches.)

Outlet Type	Outlet Designation	"B" Body HT. DIM.
Inside Caulk	C02, C03, C04, C05, C06	5"
Speedi-Set SW	L02, L03, L04	5"
Speedi-Set XH	LXH02, LXH03, LXH04	5"
Threaded	T02, T03, T04, T05, T06	3 3/4"
No-Hub	Y02, Y03, Y04, Y05, Y06	5"

OPTIONS:

- AD Aluminum Dome
- C Aluminum Underdeck Clamp
- CID Cl Dome
- CIDG Cast Iron Dome with Galvanizing
- CID8 8" High Cl Dome
- CL Angular Underdeck Clamp
- G Galvanized Cl
- PDSSM SS Mesh on Poly Dome
- RBD Rough Bronze Dome
- SH Securing Holes
- SSM SS Mesh on Metal Dome
- U Vandal Proof Dome

A OUTLET SIZE	FLANGE DIA.	FREE AREA SQ IN	DUCO CI POLY DOME	APPROX. WEIGHT LBS
02, 03, 04"	20"	102.5		50
05, 06"	20"	102.5		50

REGULARLY FURNISHED: Duco Cast Iron Wide Flange Body with Combined Flashing Clamp and Gravel Stop with Polyethylene Dome.

FUNCTION: Shows application (where product should be used and why).

Large, accurate photographs of actual product.

REGULARLY FURNISHED: Shows what is furnished

Subheadings indicate specific category

Accurate, clean, drawings include necessary dimensions and significant descriptive information.

OPTIONS: Availability of alternative finishes and metals also indicates availability of parts (optional additions or substitutes)

Suffix Letter

Outlet size and type (where applicable) listed under products.

Page Number

MATERIALS & FINISHES

DUCO COATED CAST IRON -CI Smith Cast Iron possesses exceptional strength and durability, and is regularly furnished with a high quality enamel paint coating which prevents rusting. Duco Coated Cast Iron Drains are normally used in outside areas, factory spaces and similar applications where the discoloration caused by surface oxidation is not objectionable. Cast Iron is the traditional plumbing material furnished in a good grade of gray iron. This material has excellent resistance to corrosion in the normal drainage waste applications.

DUCTILE IRON -M Smith Ductile Iron is a cast iron possessing ductile and shock resisting qualities in addition to greater strength when compared to gray iron. Special alloying elements produce these qualities. Ductile Iron is recommended for grates and other components subject to severe load, service and shock conditions.

GALVANIZED CAST IRON -G Smith Galvanizing is a process of applying a heavy zinc coating to a thoroughly cleaned iron casting. This coating contains 95% zinc in a cold applied process. Smith galvanizing can be supplied on all cast iron parts. It increases longevity and is recommended wherever the discoloration caused by oxidation of cast iron is objectionable. Galvanizing is recommended in coastal and industrial areas where corrosive atmosphere may be encountered. Smith galvanizing meets and exceeds Federal Specifications MIL-P-21035, MIL-P-26915A, MIL-P-26433, and MIL-C-10578 (Type II). It also meets ASTM DES A239-41 and is listed by Underwriters Laboratories, Inc. (U.L.)

ACID RESISTING PORCELAIN ENAMEL -A.R.E. Smith Acid Resisting Porcelain Enamel provides a superior "Sanitary" finish for cast iron floor drains and other products where ultimate sanitation and resistance to corrosion are required. Forming the basis of the A.R.E. SANI-CEPTOR line, the enamel produces a white glasslike sanitary surface which not only makes cleaning easy, it also gives a pleasing appearance.

Smith Quality Enameling requires a special "Enameling Grade" cast iron. Castings are also specially designed with large radius corners, and elimination of projections, recess and crevices. On special order, many Smith cast iron products can be furnished with this coating.

ACID RESISTANT COATING -A.R.C. Smith Acid Resistant Coating is a synthetic whose cure is achieved through a chemical reaction. Once applied, it becomes part of the substrate and is chemically inert. It also has excellent resistance to most chemicals encountered in D.W.V. systems.

NICKEL BRONZE -NB Smith Nickel Bronze is ideal for all installations which are subject to the abrasive polishing action of foot and other traffic, and is recommended over chrome plated for such applications. It is not a coating, but a solid cast metal of added strength which is regularly furnished with a permanent silvery satin lustre, which blends with most decor. The buffing action of foot traffic actually helps maintain the lustre. Nickel Bronze is recommended where sparking hazards exist.

CHROME PLATED -CP Smith Chromium Plated Bronze is ideal for installations in walls, gutters, and other areas where a bright decorative finish is desired, not subject to the abrasive action of foot and other traffic. It is not recommended for installations where abrasion will eventually wear through and cause peeling.

POLISHED BRONZE -PB Smith Polished Bronze is regularly furnished in a permanent bronze satin lustre. It is recommended for finished areas where the bronze color is desired to match the decor. In addition to its lasting qualities, the abrasive action of foot and other traffic helps maintain the lustre, and it is non-sparking.

SILICON BRONZE -SB Smith Silicon Bronze is a bronze which is superior to regular bronze for many special applications. "Everdur" (Anaconda American Brass Company), is the trade name of a common high silicon bronze alloy, possessing excellent corrosion resistant properties combined with high strength, ductility and shock resistance. Available on special order.

STAINLESS STEEL -SS Smith Stainless Steel castings are normally produced in Type CF8 (304) which is an 18-8 Austenitic Stainless possessing excellent corrosion resistant qualities. For some applications where conditions demand, Type CF8M (316) stainless steel can be supplied. Items formed from stainless steel sheet and other stainless steel products are regularly furnished in Type 304 with 316 as an optional material.

ALUMINUM -A Smith Aluminum is supplied in casting grade 319, an alloy containing both silicon and copper. It is a solid cast metal in a pleasing light gray color. The light weight, coupled with its exceptional strength and corrosion resistance, make it ideal for drain components such as sediment buckets and strainers. When used with acid-resisting porcelain enamel coated drains, the possibility of chipping is minimized.



JAY R. SMITH MFG. CO.
MEMBER OF MORRIS GROUP INTERNATIONAL



CONTRACTOR FRIENDLY

Contractor Friendly Products

Products that are labor saving and easy to install





TABLE OF CONTENTS



What are Contractor Friendly Products?

Quarterback Water Closet Support

Labor Saver® Fixture Support

Siphonic Roof Drains

Carousel® Roof Drain

Roof Drain and Overflow Drain with Deck Plate

Roof Drain with Deck Plate

Top Mount Drain Elevator

Downspout Nozzle

Quad Close® “Stink Stopper” Trap Seal Device

Protective Floor Drain and Cleanout Cover

FormIt® Drain Installation Device

Jubilee “Twis-to-Floor®” Cleanout Series

The BossTee, Cleanout and Test Tee

Cored Hole Stainless Steel Boxed Hydrant

Guardian Plus Hydrant and Stainless Steel Box

Enviro-Flo® II Trench Drain Series

Rebar and Double Arrow Channel Chairs

Rante-Arrow Channel Chair



WHAT ARE CONTRACTOR-FRIENDLY PRODUCTS?



The Jay R. Smith Mfg. Co.[®] Contractor-Friendly Products are designed with the installer in mind. These products are designed to save time, require less manpower, and make the contractor's job easier. Listed below are just a few of the benefits to the contractor in using these products.

- A. -M54 and -M58-M54 for Water Closet Supports—Three anchor points for secure installation.
- B. Labor Saver[®] Fixture Support— Excellent design for prefab work.
- C. Siphonic Roof Drains— Level pipe installation; smaller and less piping.
- D. Carousel[®] Roof Drain— Adjustability to varying roof insulation thickness.
- E. Roof and Overflow Drain with Deck Plate — Pre-assemble to drain body.
- F. Low Profile Dome Roof Drain with Deck Plate — Saves time as the roof drain with deck plate and securing clips can be pre-assembled and set in place from surface of roof.
- G. Top Mount Drain Elevator — Elevates roof drains to compensate for insulation thickness.
- H. Downspout Nozzle — Diverts water away from building, eliminating wall stains.
- I. Quad Close[®] "Stink Stopper" Trap Seal Device — Protects the trap seal; easy to install.
- J. Protective Floor Drain and Cleanout Covers — Protects floor drain strainer and cleanout tops during the pour
- K. FormIt[™] Drain Installation Device for Floor & Shower Drains, and Sanitary Floor Sinks - Permits the pre-assembly of the drain to the deck.
- L. Jubilee Twis-To-Floor[®] Cleanout Series — Before and after pour adjustment.
- M. The Boss Tee, Cleanout and Test Tee — Hydrostatically test for leaks during construction; a standard cleanout after testing.
- N. Cored Hole Stainless Steel Boxed Hydrant — Simple and easy to install in 6" diameter core drilled concrete wall.
- O. Guardian Plus Hydrant & Box — Fits flush to building in the space of one standard course brick.
- P. Enviro-Flo[®] II Trench Drain Series— Durable, lightweight polypropylene channels.
- Q. Rebar Channel Chairs— Use job site materials to anchor channel
- R. Double Arrow — Supports two channel ends
- S. Rante-Arrow Channel Chair— Eliminates float; only one per channel needed.

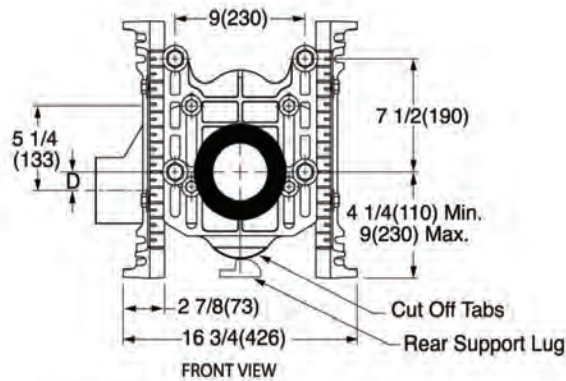


QUARTERBACK® WATER CLOSET SUPPORT



Figure # M58-M54 Faceplate, and -M54 Side Mounted Legs

M58-M54 FACEPLATE WITH ADJUSTABLE NIPPLE AND "O" RING



Product Features:

M54 Side Mounted Leg:

- Symmetric construction.
- Increased load bearing capability
- One bolt per leg allowing quicker and easier prefabrication.
- Incremental markings in 1/2" increments.
- Quicker rough-in for the installing contractor
- Three Anchor Points for Secure Installation.

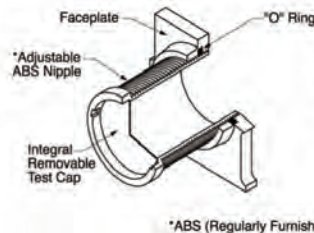
M58 Faceplate with "O" Ring Seal:

- Adjustable ABS nipple with integral removable test cap and integral molded coupling.
- 10 inch-long nipple covers various installations.
- Enhanced sealing with an "O" ring at the faceplate.



M51 Anchor Foot:

- Provides back anchor support for any single horizontal or vertical fixture support.
- Consists of a 3/8" stud and a cast iron anchor foot.



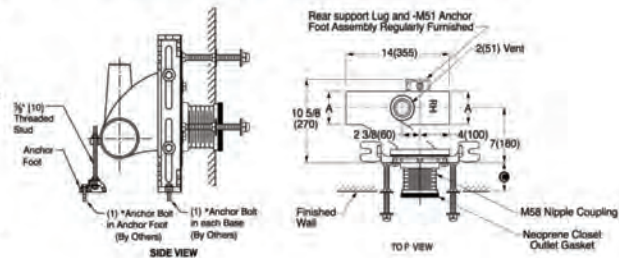
NOTE: The M58-M54 suffix is furnished with the M54 faceplate and side mount base supports, with the faceplate machined for the "O" ring seal and the adjustable 10" ABS nipple

NOTE: Base support must be securely anchored to floor (with 1/2" (13) bolts provided by the installer).

NOTE: All single supports shall have the rear support lug anchored by contractor to assure a rigid installation. The rear support completes the 3 point anchoring system for ultimate stability of the installation.

NOTE: Dimensions shown in parentheses are in millimeters.

-M51 ANCHOR FOOT ASSEMBLY FOR USE WITH SINGLE HORIZONTAL FITTINGS



-M54/-M58-M54 can be used with Figure # Series 0209-0210-0211-0220-0230-0240-0250. M51 anchor foot assembly and rear support lug are regularly furnished.



Wall chase images featuring a Fig. # 0240DY-M54 closet support installation.



LABOR SAVER[®] FIXTURE SUPPORT



Ox Bow Design Series

Figure # 0710

Labor Saver Fixture Support-Lavatory Support with Concealed Arms

Product Features:

- Compact and rigid one piece steel frame.
- Pre-assembled - few components to be lost.
- Reduced inventory - one support for most lavatory applications.
- Unique bracket design - for all types of concealed lavatory fixtures.
- Reduced installation space - fits narrow wall and metal stud configurations.
- Labor savings - dramatically reduces cost associated with assembly, installation and material handling.
- Excellent versatility for prefab assembly in battery.
- Easier to adjust - needs front adjustment only after the wall is in place.
- Superior to traditional support that requires both front and back access for final adjustment.
- Conforms to the applicable ASTM Specifications.
- Meets or exceeds the applicable requirements of ASME A112.6.1M 1997.
- IAPMO Listed
- Patent Pending

FUNCTION: The Labor Saver Fixture Support has been designed to speed up the installation process by using a one-piece, pre-assembled rigid steel frame construction. This innovative support allows for installation in narrow wall and metal stud configurations. The fixture support features both horizontal and vertical adjustability to fit varying installation conditions.

Lavatory Support with Concealed Arms

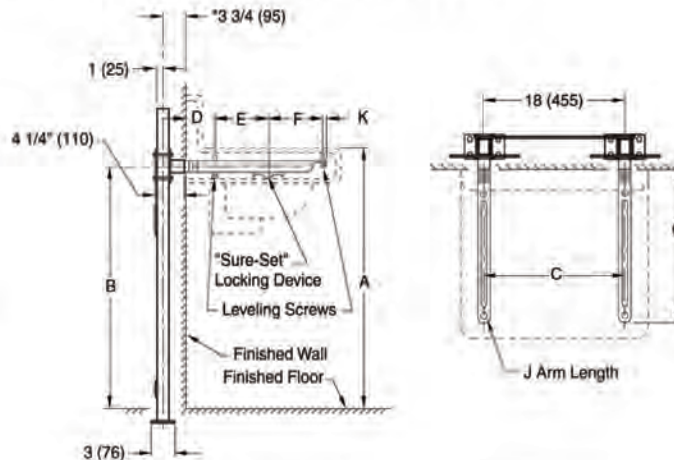
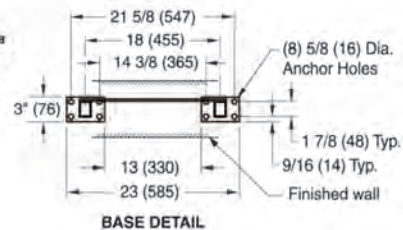


Fig. 0710. FOR HIGH BACK LAVATORIES (shown)

NOTE: The rough-in dimensions listed on this drawing are based on current information available to Jay R. Smith by the fixture manufacturers. We recommend that you verify these dimensions with the fixture manufacturer. We will not accept responsibility for rough-in dimension changes by the fixture manufacturer.

NOTE: *This dimension can be increased when fixture support is to be installed behind the wall. (Specify when required and wall thickness).

NOTE: Dimensions shown in parentheses are in millimeters.



BASE DETAIL

The Symmetric Design Series will accommodate a variety of fixture manufacturers in several configurations:

- Off-the-floor urinals (Fig. # 0609/0610; 0614 and 0615; and 0616/0617)
- Off-the-floor lavatories; exposed arm (Fig. #0760 and 0762) and concealed hanger (Fig. # 0801)
- Off-the-floor water coolers (Fig. # 0830 and 0831)
- Off-the-floor sinks (Fig. # 0924 and 0925)



Lavatory support with exposed arms (Figure #0760)

Plastic Insert to Protect Bracket Threads



Protect the arm coupling threads during installation with plastic inserts provided. The inserts remain in place during wall construction, leaving an opening and providing quick access for the lavatory arm installation.



SIPHONIC ROOF DRAIN 15 1/4"(390) DIAMETER - LOW PROFILE DOME

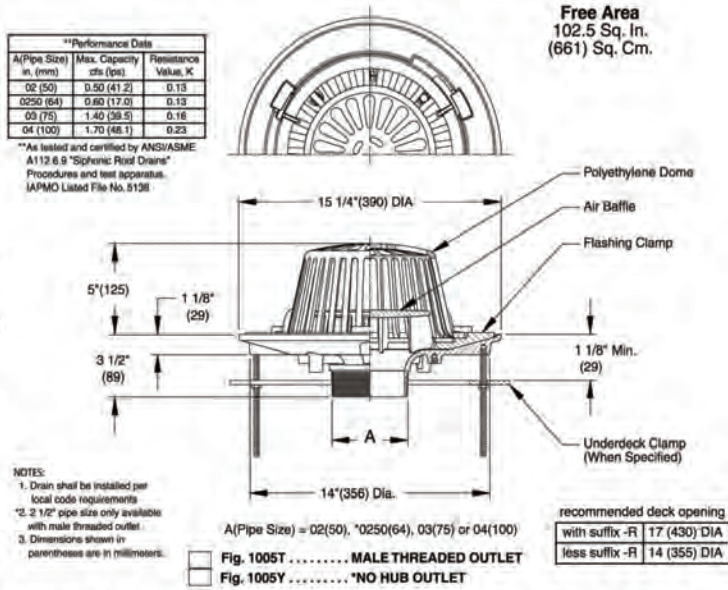


Figure # 1005 and 1605
Siphonic Roof Drains

Product Features:

- The air baffle on the roof drain promotes full-bore flow.
- Full-bore flow within the piping reduces pipe diameter as compared to open channel, traditional gravity flow, which operates at 1/2 the capacity
- Siphonic action is independent of pipe pitch or gradient.
- Smaller pipe diameters allow maximum use of open space without intrusion of drainage piping. This also reduces material costs.
- The point of discharge for the roof can be concentrated to one corner, typically, rather than out of the building in several points.
- Slab installation costs are minimized, reducing excavation, backfill costs, and exterior underground piping.
- Siphonic systems promote self cleaning of debris from the piping system.
- Fully tested and certified in accordance with ANSI/ASTM A112.6.9 "Siphonic Roof Drains."

FUNCTION: For use in engineered siphonic roof drainage systems. May be used in flat roof of any construction. Large low profile dome provides sufficient free area for quick drainage of rainwater and protects the drain sump, baffle and connected piping from the intrusion of debris. Internal air baffle creates siphonic drainage action, producing more efficient drainage than traditional roof drains.



REGULARLY FURNISHED:
Duct Cast Iron Body, Flashing Clamp, Air Baffle and Polyethylene Dome.

- VARIATIONS:**
- Sump Receiver -R
 - Underdeck Clamp -C
 - Underdeck Clamp for 10' Deck Opening -C10
 - *L Shaped Underdeck Clamp -CL
 - Vandal Proof Dome -U

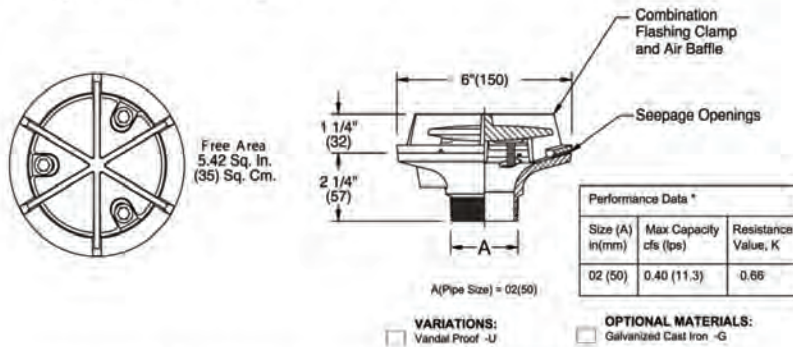
- OPTIONAL MATERIALS:**
- Aluminum Dome -AD
 - Cast Iron Dome -CID
 - Galvanized Cast Iron Dome -CIDG
 - Galvanized Cast Iron -G
 - Rough Bronze Dome -RBD

SIPHONIC GUTTER DRAIN 6"(150) DIAMETER - LOW PROFILE GUTTER DRAIN

FUNCTION: For use in engineered siphonic roof drainage systems for gutters, parapets, small balconies, sills, cornices, marquees and other small overhanging areas where drainage of rainwater is required. Air baffle creates siphonic drainage action, producing more efficient drainage than traditional gutter drains.



The horizontal manifolds in a siphonic roof drain system installation.



Regularly Furnished: Duct Cast Iron Body with Combination Flashing Clamp and Air Baffle.

*As tested and certified by ANSI/ASME A112.6.9 "Siphonic Roof Drains" procedures and test apparatus.



CAROUSEL® ROOF DRAIN - A ROOF DRAIN WITH ADJUST ABLE EXTENSION

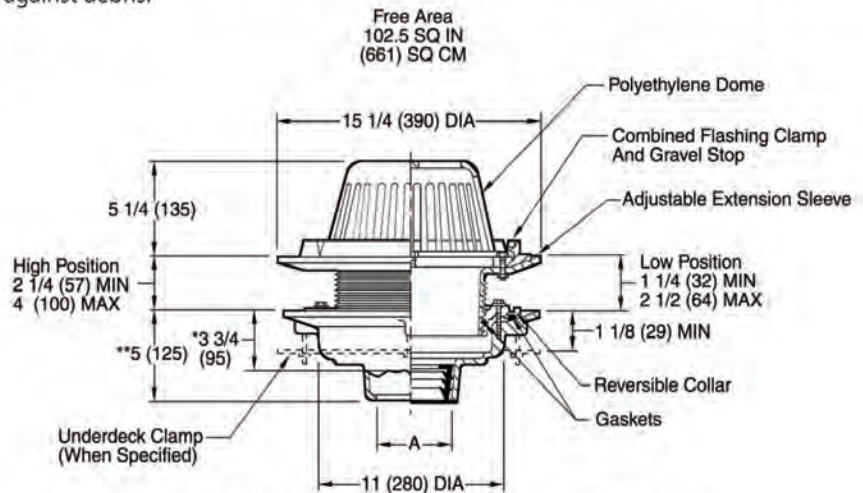


Figure # 1015
Carousel Roof Drain

Product Features:

- Used in flat roofs of any construction.
- Large, low profile dome for quick drainage and protection against debris.
- Adjustable extension for different insulation thicknesses.
- Wide clamping surface to hold flashing and roofing materials.
- Reversible collar allows for two extension ranges:
 - Low Position – MIN 1 ¼";
MAX 2 ½"
 - High Position – MIN 2 ¼";
MAX 4"
- Combined flashing clamp and gravel stop.

FUNCTION: Used in flat roofs of any construction. The adjustable extension sleeve permits adjustment from a minimum of 1 1/4"(32) to a maximum of 4"(100), easily accommodating up to 2 3/4"(70) of varying insulation thicknesses. The positive threading allows smooth perimeter movement and circumferential support of the top at any adjusted elevation. Large low profile dome provides sufficient free area for quick drainage of rainwater and protection against debris.



*This dimension to internal stop of Speedi-Set Gasket
 **Same for Caulk, NO-HUB and Speedi-Set, 3 3/4 (95) for Threaded

A (Pipe Size) = 02(50), 03(75), 04(100), 05(125) or 06(150)

Fig. 1015C CAULK OUTLET
 Fig. 1015Y NO-HUB OUTLET

recommended deck opening	
with suffix -R	17 (430) DIA
less Suffix -R	14 (355) DIA

REGULARLY FURNISHED:
 Duco Cast Iron Body with Adjustable Extension Sleeve, Reversible Collar, Combined Flashing Clamp and Gravel Stop, with Polyethylene Dome.

OPTIONAL MATERIALS:

- Aluminum Dome -AD
- Cast Iron Dome -CID
- Galvanized Cast Iron -G
- Rough Bronze Dome -RBD

- VARIATIONS:**
- Expansion Joint (Specify Fig. 1710)
 - "L" Shaped Underdeck Clamp -CL
 - L Speedi-Set Service Weight 02(50), 03(75) & 04(100)" sizes only
 - LXH Speedi-Set Extra Heavy 02(50), 03(75) & 04(100)" sizes only
 - Secondary Flashing Clamp -C2
 - Sump Receiver -R
 - Underdeck Clamp -C
 - Vandal Proof Dome -U
 - T Threaded Outlet

NOTE: Dimensions shown in parentheses are in millimeters.



ROOF DRAIN AND OVERFLOW DRAIN WITH DECK PLATE



Figure # 1800
Roof Drain and Overflow Drain
with Deck Plate

FUNCTION: Used on flat roofs of any construction (other than poured-in-place) where an emergency overflow drain can be used in combination with a standard roof drain. Large sump drain bodies with low profile domes provide sufficient free area for quick drainage of rainwater while protecting the drain sump and connected piping from the intrusion of debris. Internal standpipe type overflow drain receives water only when the build-up is greater than the setting of the standpipe. The water dam standpipe can be cut to achieve various water depths on the roof. Attached wide dual drain deck plate with securing holes enables both drains to be secured to the roof deck from the top surface of the roof reducing installation time, reducing the number of roof penetrations and eliminating the need for an underdeck clamp. The wide dual deck plate also recesses the drains slightly to prevent water build-up at the base of the drains.

Product Features:

- Eliminates the need for an underdeck clamp.
- Roof drain installation can be performed from the top of the roof deck.
- Requires only one rectangular roof penetration.
- Recesses the drains slightly to prevent water build-up at the base of the drains.
- Drains can be preassembled to the deck plate and then put in place.
- Drains and deck plate are securely fastened in place.

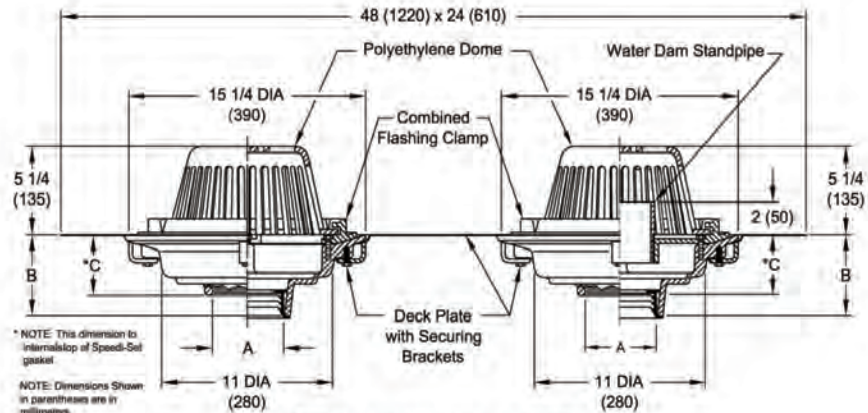


Fig. 1800C...CAULK OUTLET
 Fig. 1800Y... NO HUB OUTLET

A SIZE	B		C	FREE AREA SQ IN (SQ CM)
	CAULK, NO-HUB, & SPEEDI-SET	THREADED		
02(50), 03(75), 04(100)	5 (125)	3 3/4 (95)	3 3/4 (95)	102.5 (661)
05(125), 06(150)	5 (125)	3 3/4 (95)	3 3/4 (95)	102.5 (661)

REGULARLY FURNISHED:

Duct Cast Iron Bodies with Combined Flashing Clamp and Gravel Stop for Roof Drain and Combined Flashing Clamp and Gravel Stop with Internal Water Dam Standpipe for Overflow Drain. Deck Plate with Securing Holes Provided to Receive Both Drains. Both Drains Provided with Polyethylene Domes.

VARIATIONS:

- Expansion Joint (Specify Fig. 1710)
- Extension (Specify Height) -E
- "L" Shaped Underdeck Clamp -CL
- L. Speedi-Set Service Weight
02 (50), 03 (75), and 04 (100) Sizes Only
- LXH Speedi-Set Extra Heavy
02 (50), 03 (75), and 04 (100) Sizes Only
- Secondary Flashing Clamp -C2 (For Extensions)
- Vandal Proof Dome -J
- T Threaded Outlet

OPTIONAL MATERIALS:

- Aluminum Dome -AD
- Cast Iron Dome -CID
- Galvanized Cast Iron Dome -CIDG
- Galvanized Cast Iron Body & Collar -G
- Rough Bronze Dome -RBD
- Stainless Steel Mesh Secured to Dome -SSMD
- Acid Resistant Coated -ARC



LOW PROFILE DOME ROOF DRAIN WITH DECK PLATE



Figure #1010-RDP
Low Profile Dome with Deck Plate

Product Features:

- Speed of installation. Roof drains can be pre-assembled to deck plate and placed as one unit from the top roof surface, saving time.
- Secure Installation. Large Roof Deck Plate is easy to install using fasteners from the top of roof only. No under deck damp required means less hardware and time savings.
- Safer Installation. Installation from above means less time on ladders or lifts and less overhead work. The only task after installation is the actual pipe connection, made to a secure assembly.
- Reliability. The drains are installed in a recess to prevent a water dam.
- Simplicity. Roof penetrations are square, not round, saving time.

FUNCTION: Used in flat roofs of any construction. Large low profile dome provides sufficient free area for quick drainage of rainwater and protects the drain sump and connected piping from the intrusion of debris. Attached wide deck plate has securing holes enabling the drain to be secured to the roof deck from the top surface of the roof.

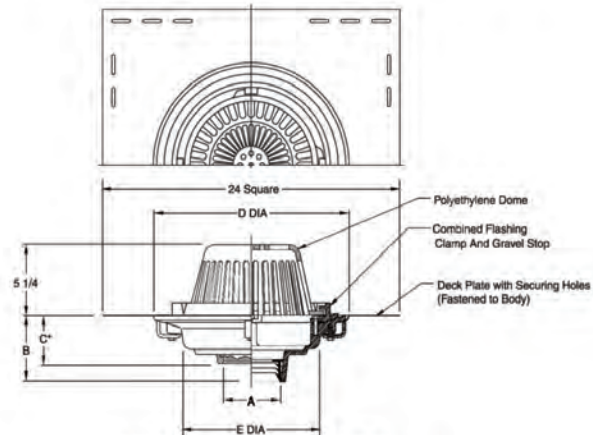


Fig. 1010Y-(RDP) . . . NO-HUB OUTLET
 Fig. 1010C-(RDP) . . . CAULK OUTLET

A SIZE	B CAULK, NO-HUB, & SPEEDI-SET	THREADED	C*	D DIA	E DIA	FREE AREA SQ IN
02, 03 or 04	5	3/34	3/34	15 1/4	11	102.5
05 or 06	5	3/34	3/34	15 1/4	11	102.5
08 or 10	7 3/4	7/34	--	20	16	158

REGULARLY FURNISHED:
 Duo Cast Iron Body with Attached Deck Plate with Securing Holes in Deck Plate, Combined Flashing Clamp and Gravel Stop with Polyethylene Dome.

VARIATIONS:
 L Speedi-Set Service Weight Outlet Conn. (02, 03, and 04) Sizes Only
 LXH Speedi-Set Extra Heavy Duty Outlet Conn. (02, 03, and 04) Sizes Only
 T Threaded Outlet Conn.
 Extension (Specify Height) -E
 Secondary Flashing Clamp -C2
 Vandal Proof Dome -U

OPTIONAL MATERIALS:
 Aluminum Dome -AD
 Cast Iron Dome -CID
 Galvanized Cast Iron Dome -CIDG
 Collar -CIDG
 Rough Bronze Dome -RBD
 Stainless Steel (Specify Fig. 9780)

*This Dimension to Internal Shop of Speedi-Set Gasket.



1. Start with our sump receiver deck plate. (-RDP)



2. Place 1010 roof drain into the sump receiver deck plate.



3. Bolt the 4 angled steel support brackets onto the roof drain until the deck plate is locked into place. (See -DPK Trim Kit)



4. Place the deck plate and roof drain combination on the roof and attach the deck plate to the roof structure.

CONTRACTOR FRIENDLY



TOP MOUNT DRAIN ELEVATOR

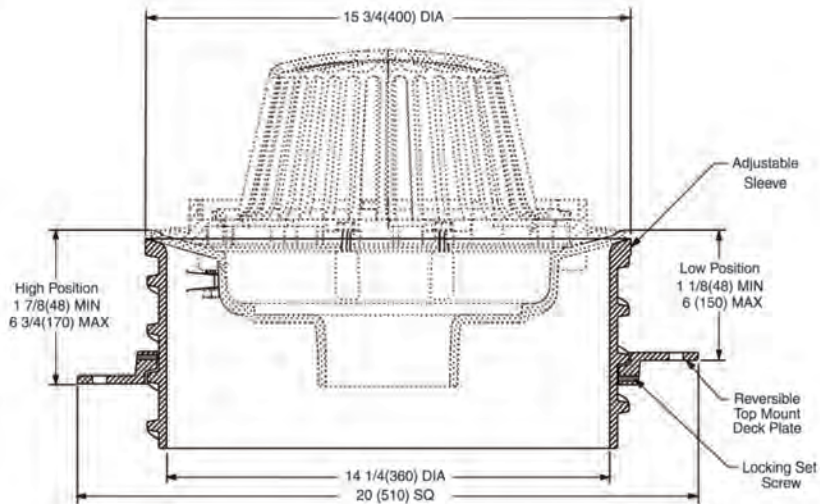


Figure # 1010DEK
Top Mount Drain Elevator

Product Features:

- Elevates Figure Numbers 1005, 1010, 1070 and 1080 type roof drains.
- Adjustable to compensate for insulation thickness.
- Top adjustment at deck for an easier and more secure installation.
- Overall adjustment height of 6-3/4".
- Drain Elevator is outside of the waterway, eliminating leaks.
- The cast thread design provides for a quick adjustment—up or down; full adjustment achieved with one full turn.
- Top mount reversible collar eliminates the need for a conventional extension, underdeck clamp and sump receiver

FUNCTION: Used to elevate Figure Numbers 1005, 1010, 1070, and 1080 type roof drains on the top side of the roof deck to compensate for insulation thickness.



NOTE: 16 1/2 (420) diameter deck opening recommended.

REGULARLY FURNISHED:
Duco Coated Cast Iron Adjustable Sleeve and Top Mount Reversible Deck Plate.

OPTIONAL MATERIALS:
 Galvanized Cast Iron -G

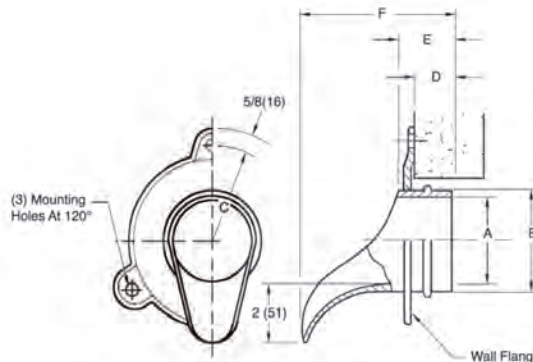
NOTE: Dimensions shown in parentheses are in millimeters.

DOWNSPOUT NOZZLE



Figure # 1770Y
Downspout Nozzle

FUNCTION: Used as a parapet over flow or at the base of a wall where a concealed leader discharges rainwater to ground. Nozzle design diverts water away from building, eliminating wall stains. Wall flange covers rough opening and serves as anchor.



NOTE: Dimensions shown in parentheses are in millimeters.

Fig. 1770Y.....NO-HUB Connection

REGULARLY FURNISHED:
Cast Bronze Nozzle and Flange

VARIATIONS:
 Bird Screen -BS

OPTIONAL MATERIALS:
 Nickel Bronze -NB
 Polished Bronze -PB

A=PIPE	02(50)	03(75)	04(100)	06(150)
B=DIA	2 3/4 (70)	4 (100)	5 (125)	7 1/4 (185)
C=RA D	2 3/4 (70)	3 1/2 (89)	3 7/8 (98)	5 (125)
D	1 3/8 (35)	1 3/8 (35)	1 3/8 (35)	1 13/16 (46)
E	2 1/16 (52)	2 1/16 (52)	2 1/16 (52)	2 1/2 (64)
F	5 5/8 (143)	5 5/8 (143)	5 5/8 (143)	6 1/4 (160)

Product Features:

- Nozzle design diverts water away from building, eliminating wall stains.
- Wall flange covers rough opening.
- Bronze Nozzle and Flange.
- Easily connects with standard no-hub coupling



QUAD CLOSE™ "STINK STOPPER" TRAP SEAL DEVICE



Figure # 2692
Quad Close Trap Seal Device

Product Features:

- A Tested and Reliable Solution
IAPMO Listed: File No. 7479.
ASSE Listed: Standard 1072
Record No.1435.
- Easy to Install—Insert the device in the drain outlet until it is flush with the bottom of the drain or top of the outlet piping. For strainers, insert the trap seal as low as possible into the throat of the strainer.
- A Value for the Purchaser—Designed to handle a wide range of pipe and internal drain body diameters. Can be retrofitted into existing drains.
- Available in 1 1/2", 2", 3", 3 1/2", 4" & 6" sizes.



FUNCTION: The Quad Close Barrier Type Trap Seal Device creates a watertight seal inside the drain hub, outlet piping, or throat of the strainer.

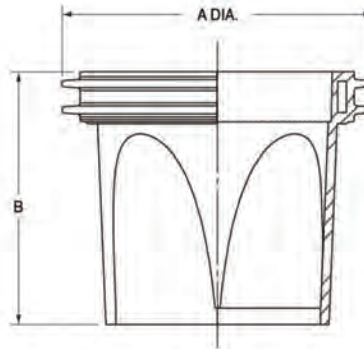
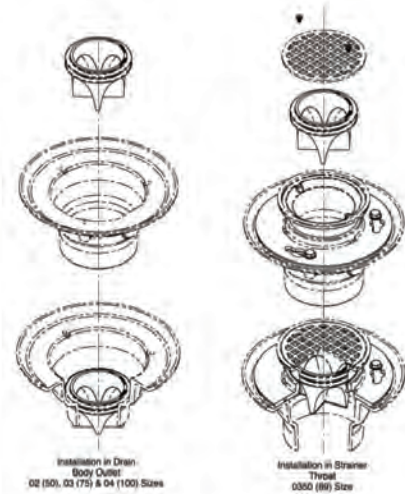


Fig. No.	A (Pipe Size)	B
2692-0150	1 1/2(38)	2(53)
2692-02	02(50)	2 3/4(70)
2692-03	03(75)	2 3/4(70)
*2692-0350	0350(89)	2 3/4(70)
2692-04	04(100)	2 3/4(70)
2692-06	06(150)	3 3/4(93)



Patent No. 8,844,572

PROTECTIVE FLOOR DRAIN & CLEANOUT TOP COVER



Protective Floor Drain & Cleanout
Top Cover

Protective cover is furnished with all strainer heads, suffix -A through -T and floor cleanout tops, Figure number 4020 through 4211.

Product Features:

- All strainer heads and cleanout tops shipped individually are shrink wrapped in plastic before leaving the factory.
- The cover protects the drain/cleanout top during shipping, warehousing and on the job site.
- Each protective cover is clearly marked with the product number and the Smith logo.
- The cover protects the drain/cleanout top during the pour, preserving the finish.

CONTRACTOR FRIENDLY



FORMIT™ DRAIN INSTALLATION DEVICE



Figure # 2038
Shower Drain with Formit Drain Installation Device

FUNCTION: The Jay R.Smith Mfg. Co. Formit Drain Installation Device is designed to stabilize the drain, provide adjustment during the installation process and allow final connection of outlet piping to drain after the concrete pour

Formit is available for shower drains, 8 1/2" & 12" diameter floor drains, 8 1/2" & 12" diameter or square enameled floor sinks with no-hub outlets and 12" square stainless steel floor sinks. Formit can be sold pre-assembled with the drain or sold separately as the Drain Installation Device only -DID.

Product Features:

- Permits pre-assembly of the drain to the decking without having any connected piping below.
- Four anchor holes secure Formit to the deck or sub-floor, providing rigidity and stability for the drain assembly during construction and concrete pour
- Drain elevation can be easily adjusted and leveled to meet finished floor height or pre-adjusted to a known rough-in dimension prior to arrival on jobsite.
- After concrete has set and the forms have been stripped away Formit creates an open cavity after removing the foam insert under the plate, allowing easy access for final connection of the waste line piping.
- Formit eliminates the frustration of resetting a drain that has fallen over or is misaligned, which will save time and labor costs

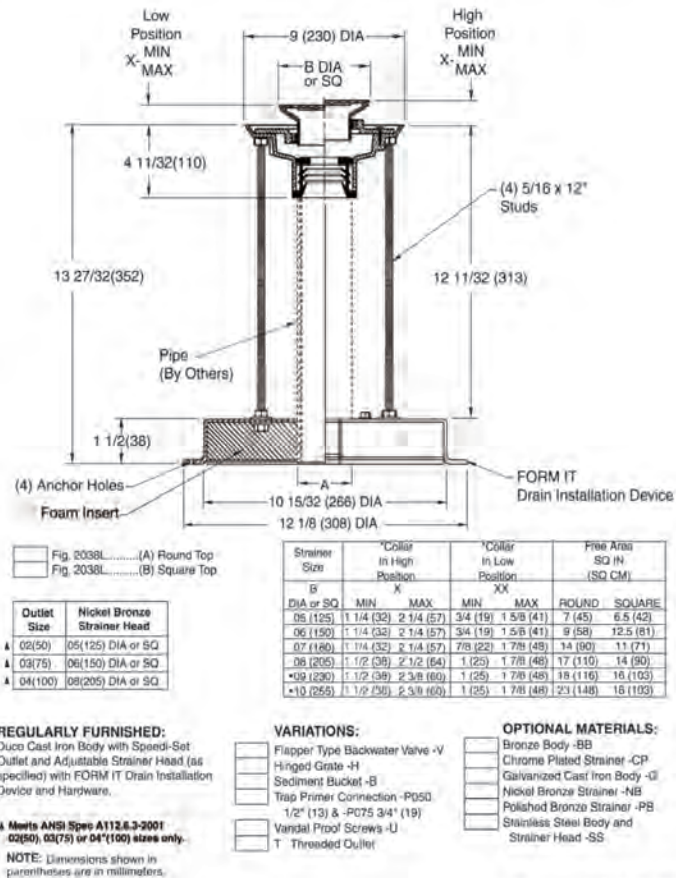


Figure # 2038-DID

Formit Drain Installation Device Submittals

Floor and Shower Drains

Description	Model Number	Applies to Figure Numbers:
Shower Drain with Formit Drain Installation Device	2038	2005,2010,9700
Formit Drain Installation Device for Shower Drain Series	2038DID	2005,2010,9700
8 1/2" Diameter Top Floor Drains with Formit Drain Installation Device	2039	2110,2120
12" Diameter Top Floor Drains used with 1010DID Formit Drain Installation Device	Add *1010DID Suffix to Figure Number Shown	*2131,*2140,*2141,*2142
Formit Drain Installation Device for 8 1/2" Diameter Top Cast Iron Floor Drains	2039DID	2110,2120

Sanitary Floor Drains

Description	Model Number	Applies to Figure Numbers:
8 1/2" Square Enameled Floor Sink with Formit Drain Installation Device	3038	3100 Series
Formit Drain Installation Device for 8 1/2" Square Enameled Floor Sink Series	3038DID	3100 Series
12" Square Enameled Floor Sink with Formit Drain Installation Device	3039	3420,3430,3440
Formit Drain Installation Device for 12" Square Enameled Floor Sink Series	3039DID	3420,3430,3440

Specialty (Stainless) Floor Sinks

Description	Model Number	Applies to Figure Numbers:
Stainless Steel Floor Sink with Formit Drain Installation Device	9095	3001,9691
Formit Drain Installation Device for Stainless Steel Floor Sink Series	9095DID	3001,9691



JUBILEE "TWIS-TO-FLOOR"® 4000 SERIES CLEANOUTS



Figure # 4100
Finished Floor Cleanouts with
"Twis-to-Floor" Adjustable Tops

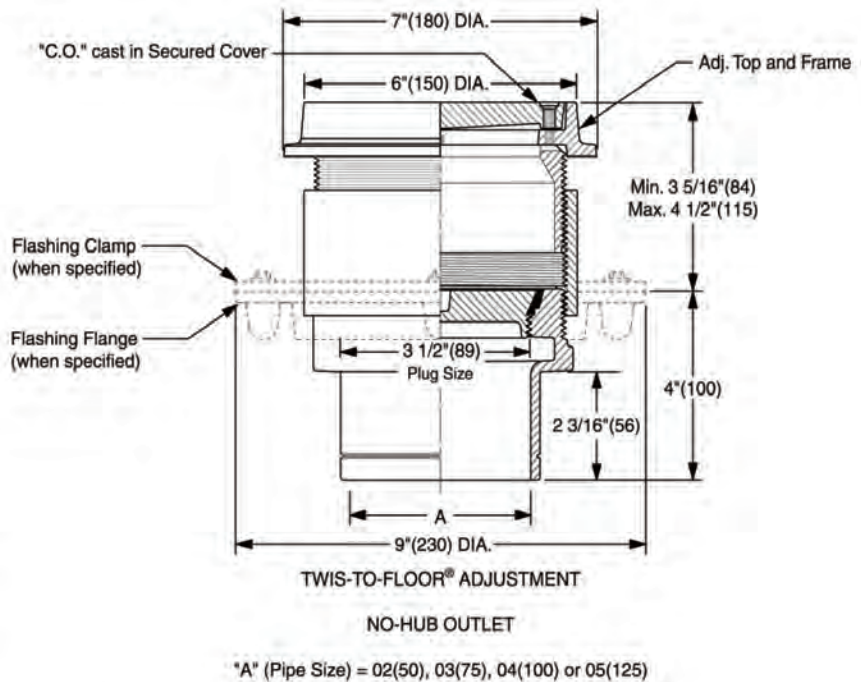
Product Features:

- One size top assembly for 2-4" outlet ferrules eliminates sorting tops by size, maximizes installation versatility and uniform appearance.
- Regularly furnished thicker finished floor cover reinforced with support ribs for strength and durability to eliminate dishing.
- Regularly furnished finished floor cleanouts are provided with unique new top assembly which allows for interchangeability of scoriated, tile or terrazzo covers AFTER finished concrete pour
- Finished floor top frame and cover are secured independently so frame stays in place when cover is removed during maintenance.
- The smooth outside surface of the top assembly and the thread protector Styrofoam ring maximize adjustment during and after the finished floor concrete pour
- 2-4" ferrules for no-hub, spigot, inside caulk or gasket outlet connection are provided with external machined thread for positive non-tilt engagement of adjustable top.
- Machined ferrule provides positive non-tilt engagement for optional threaded anchor flange and clamping collar that can be adjusted for waterproof membrane placement.

Ferrule Assembly Features:

- Easy to attach and remove to adjust frame.
- Easy to install clamping device.
- Cast iron clamping device providing maximum clamping force to the membrane.

Jay R. Smith Mfg. Co.'s "Jubilee Series" Cleanout line meets all the requirements of codes and standards for maximum access, while providing an aesthetically pleasing product for finished floor installation. The Twis-To-Floor® Cleanouts also incorporate additional strength during and after installation and unique versatility in adjustment before and after the pour, features every contractor can get excited about using.



- Fig. 4100S.....Gasket Seal - ABS Plug
- Fig. 4101S.....Gasket Seal - Bronze Plug
- Fig. 4103S.....Taper Thread - Bronze Plug
- Fig. 4104S.....Taper Thread - ABS Plug

(Twis-to-Floor® design shown with gasketed plug.)

NOTE: Dimensions shown in parentheses are in millimeters.

REGULARLY FURNISHED:

Duco Cast Iron Cleanout with Round Adjustable Scoriated Secured Nickel Bronze Top. Closure Plug Type as Indicated By Figure Number Selected.

VARIATIONS:

- Flashing Flange -F
- Flange with Flashing Clamp -F-C
- Vandal Proof Top -U

OPTIONAL MATERIALS:

- Galvanized Cast Iron -G
- Polished Bronze Top -PB





THE BOSS TEE, CLEANOUT AND TEST TEE



Figure # 4505
Boss Tee Cleanout and Test Tee

FUNCTION: Used in concealed drainage lines where a cleanout is desired that allows the testing of piping above through the use of an internal threading inside the tee.

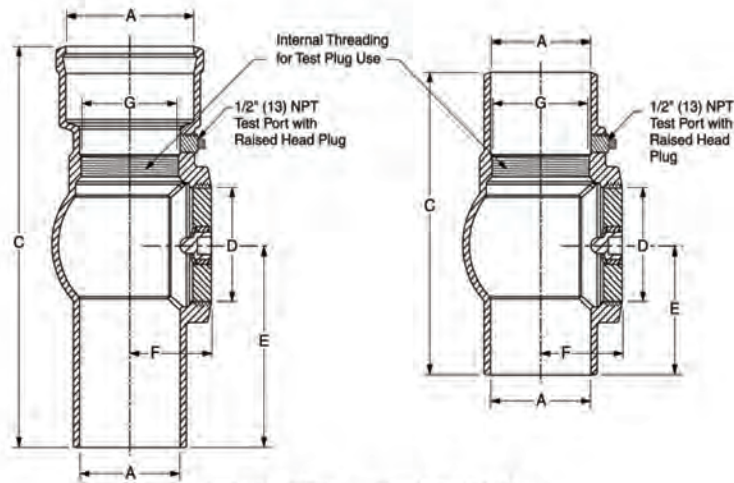


FIG. 4505S.....HUB and SPIGOT

A PIPE SIZE	C	D PLUG SIZE	E	F	G SIZE
03(75)	13 1/2(345)	3(76)	7 (160)	2 1/2(64)	2 1/2(64)
04(100)	14 3/4(375)	4(100)	7 1/2(190)	3 (76)	3 1/2(89)
06(150)	17(430)	6(150)	8 1/2(215)	4(100)	5(125)

Spigot Outlet Sized for Service Weight and/or NO-HUB.

FIG. 4505Y.....NO-HUB

A PIPE SIZE	C	D PLUG SIZE	E	F	G SIZE
03(75)	9 1/4(235)	3(76)	3 3/4(95)	2 1/2(64)	2 1/2(64)
04(100)	10 1/2(265)	4(100)	4 1/2(115)	3(76)	3 1/2(89)
06(150)	14(355)	6(150)	6 1/4(160)	4(100)	5(125)

REGULARLY FURNISHED:
Ducto Cast Iron Cleanout Tee with Internal Threading, 1/2(13) NPT Test Port with Raised Head Plug and Countersunk Taper Threaded Bronze Plug.

VARIATIONS:
 Test Valve and Reference Gauge Kit - TK
 Test Plug - TP

OPTIONAL MATERIALS:
 Galvanized Cast Iron - G

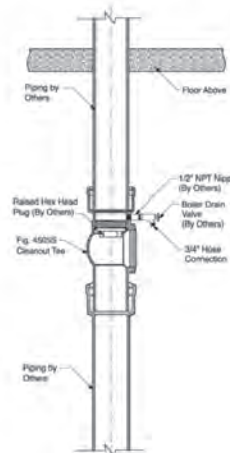
NOTE: Dimensions shown in parentheses are in millimeters.

Product Features:

- Sizes - 3", 4", 6"; No-hub and Hub & Spigot Outlets.
- Safety - The contractor is not required to remove inflatable plug from inside of stack with 5-15 psi pressure just upstream of the plug.
- Reduces the chance of mold due to water spilling inside the chase.
- Controlled testing environment - provides contractor with effective means of controlling the filling and draining of piping system.
- Reliability - better testing results due to reliable closure of the stack.
- Time & Material savings - eliminates the inflatable plug in the vertical stack and the time needed to get it to seal properly
- Efficient - test up to 3 floors at a time. The inspector can use the gauge to verify pressure in the line.
- Larger spherical opening in the fitting allows for easy hand access for line testing/inspection/cleaning.
- Cleanout tee remains in the stack after testing to be used for future maintenance and testing.



Let The Boss Tee do the Work!





6" DIAMETER CORED HOLE STAINLESS STEEL HYDRANT BOX AND WALL HYDRANT



Figure # 5509QT-R
Cored Hole Boxed Hydrant
(Shown with 5609QT Hydrant)
Meets ANSI A112.21.3

Product Features:

- Fits 6" dia. cored drill hole.
- Flush installation to eliminate catch points.
- Frame, cover & housing are made of 16 gauge, type 304 stainless steel.
- Locking hinged cover opens 180°
- Simple & easy to install in core drilled concrete wall.
- Regularly furnished with the 5609QT hydrant.
- Quarterturn full-flow feature.
- 3/4" inlet and hose connection.
- Removable "T" handle key
- Flush installation with backer plate.
- Bronze nickel plated hydrant.
- Mild climate, non-freeze hydrant with integral vacuum breaker and vandal resistant cap.
- Commercial and light commercial construction applications.

FUNCTION: Provides positive non-freeze protection where water is required at the outside of the building and features an integral vacuum breaker. The stainless steel round recessed box conceals the nozzle and operating mechanism. The locking cover prevents unauthorized use.

1/4 Turn of the Key Allows Full Flow to Be Obtained

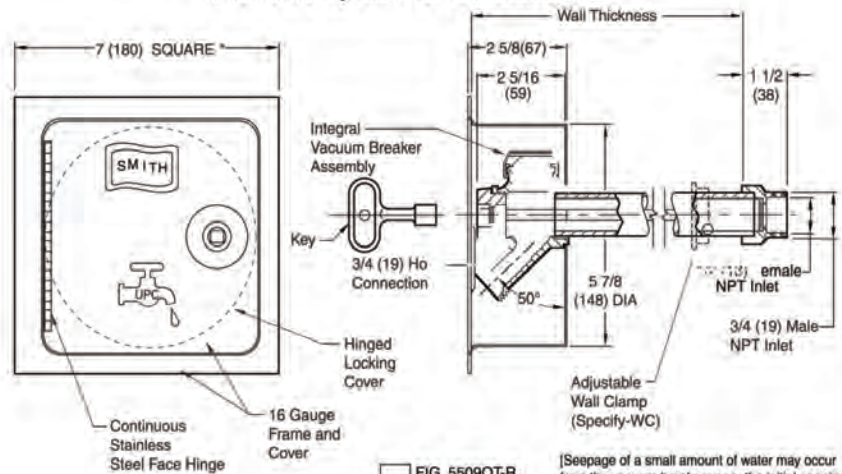


FIG. 5509QT-R

REGULARLY FURNISHED:
Bronze Nickel Plated Quarter Turn
Non-Freeze Hydrant with Hose
Connection, Integral Vacuum Breaker,
"T" Handle Key, and Stainless Steel
Box with Full 180° Cover Opening.

VARIATIONS:

- Adjustable Wall Clamp -WC
- Cylinder Lock -CL
- 1" (25) Hose Connection -HC1
- 1" (25) Male NPT Inlet Connection -IC1
- "Water" On Cover -W

** Add 3/4" (19) to Overall Length When Specified

- NOTES:**
1. *Recommended wall opening 6" (150) DIA. Hydrant shall be in the vertical position only, the connection must be on the bottom.
 2. When ordering, specify wall thickness in 2" (51) increments as follows: 06(150), 08(205), 10(255), 12(305), 14(355), 16(405), 18(455), 20(510), 22(560) or 24(610). When wall clamp -WC is desired, increase wall thickness dimension by 2" (51).
 3. All Jay R. Smith hydrants are manufactured with "NO-LEAD" brazing rings, and USDA approved lubricants.
 4. The AB1953, California Lead Law, and NSF/ANSI Standard 61-2008 - Drinking Water System Components are not applicable to Jay R. Smith hydrants as they do not convey/dispense water for human consumption through drinking or cooking.
 5. Dimensions shown in parentheses are in millimeters.

Specify Figure # 5517 for 6" Diameter Cored Hole Hydrant Box and 5619 Guardian Hydrant





GUARDIAN PLUS DUAL CHECK[®] HYDRANT WITH INTERGAL VACUUM BREAKER, INTEGRAL STOP WATER SERVICE SHUT-OFF VALVE, DUAL CHECK VALVE AND STAINLESS STEEL BOX



FIG.# 5515

Guardian Plus Dual Check[®] Hydrant with Integral Stop Water Service Shut-off Valve and Non-freeze Protection

Specifications:

- Complies with ASME A112.21.3M
- Complies with ASSE 1019B, 1052 and 1053
- IAPMO Listed, File #2749

Product Features:

- Service shut-off valve enables the water supply to be shut-off at the hydrant allowing for easy maintenance.
- Quarter-turn full-flow feature
- 3/4" (19) inlet and hose connection
- Flush installation to eliminate catch points
- 16 gauge steel frame cover & 20 gauge housing, type 304 stainless
- Bronze hydrant with stainless steel face
- Drop down locking hinged cover opens 180° to allow access without damaging cover
- Self draining non-freeze hydrant with dual check valve & integral vacuum breaker
- Commercial construction applications
- Replacement parts are available in kit HPRK - 19.

FUNCTION:

The Guardian Plus Dual Check Hydrant is ASSE 1052 Certified. It has a quarter-turn feature that allows for a full flow of water with a quarter turn of the ergonomically designed wheel handle or "T" handle key. The hydrant features an integral vacuum breaker, water service shut-off valve and dual check valve that provide positive non-freeze protection where water is required at the outside of the building. The stainless steel recessed box conceals the nozzle and operating mechanism. The locking cover prevents unauthorized use.

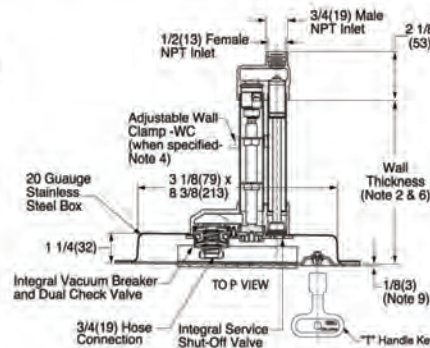
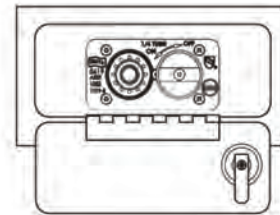
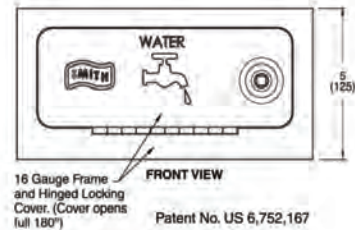


FIG. 5515



Regularly Furnished:

Bronze Quarter Turn Non-Freeze Automatic Draining Hydrant with Stainless Steel Face, Hose Connection, Integral Vacuum Breaker, Integral Service Shut-Off Valve, Dual Check Valve, "T" Handle Key, and Stainless Steel Box with Full 180° Cover Opening.

NOTE: Dimensions shown in parentheses are in millimeters.

Variations:

- Adjustable Wall Clamp -WC
- 1" (25) Hose Connection -HC1
- 1" (25) Male NPT Inlet Connection -IC1
- Mild Climate -SAP
- Cylinder Lock -CL
- Wheel Handle -WH

Optional Materials:

- Nickel Bronze Box Face -NB
- Polished Bronze Box Face -PB
- Rough Bronze Box Face -RB
- Chrome Plated Box Face -CP

Available without the box; See Figure # 5615



Figure # 5515
Stainless Steel Flush Mount Box





ENVIRO-FLO® II TRENCH DRAIN SERIES



Figure # 9930
The Enviro-Flo II Trench Drain

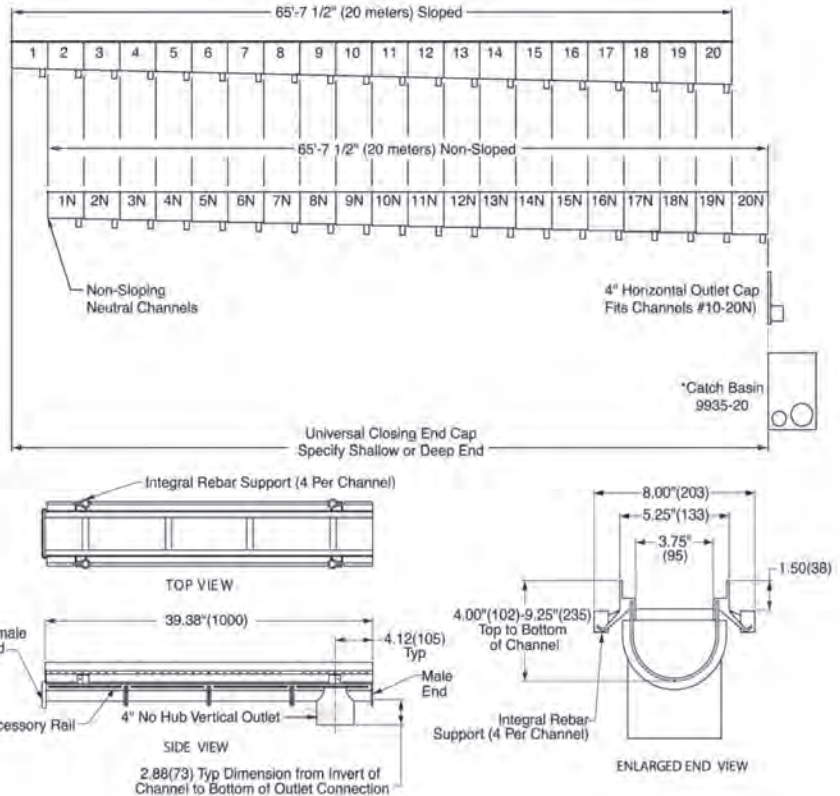
FUNCTION: The 9930 is a sloped drainage system with 100% polypropylene channels of interlocking design with a built-in slope of 0.6% and radiused bottom. This model is recommended for light and heavy duty applications. The 9930 channel utilizes the Quick-Lok® grate feature that allows the grating to be secured to the channel easily. A variety of channel grates are available.

System Features

- Each section has a 4" molded no-hub bottom outlet connection;
- Each channel is identified with flow arrow and sequence numbers;
- Each channel has angular full length anchoring ribs;
- Each channel is shipped with a removable factory insert board constructed from post-industrial recycled material that functions as a stabilizer and debris guard;
- Horizontal outlet cap available;
- Mechanical interlocking end caps

New Features for Enviro-Flo II

- Longer, Shallower Runs: Specify up to 20 sloping and 20 neutral channels.
- New Mounting System: Integral rebar clips or the new Rante Arrow offer flexible installation options.
- Secure Tongue & Groove Connections: New tongue and groove connectors retain more sealant for a more uniform joint.
- Flexible Installation: Choose outlet location, create miter and tee connections with adapters, and shorten channels in the field.



REGULARLY FURNISHED:
1 Meter (3.28') 100% Polypropylene Post Industrial Recycled Material with U.V. Inhibitors. Channel of Interlocking Design with a Built-in Slope of 0.6% with Radiused Bottom. Supplied with Secured Grate.

- VARIATIONS:**
- Grate Specifications
 - Closing End Cap Shallow -ES
 - Closing End Cap Deep -ED
 - Horizontal Outlet 4" -H4
 - Catch Basin Only 9935-20
 - Catch Basin Plastic Bucket -BP
 - Direction Change Coupling -DCC
 - Stainless Steel Overlay Rails -SSR
 - 9849 Rante Arrow
 - 4" No-Hub Bottom Outlet Adaptor -BO

Note: Dimensions in Parentheses are in mm.

*Note: If Catch Basin is Specified For Any Other Channel Except For the #20 Channel, a Shim Must be Ordered, P/N: 9930-ES

Note: This Trench Drain System is Designed for "On Grade Applications Only" as There are No Provisions for a Flashing Flange or Flashing Clamp

**Note: All 1 Meter Long Sloped and Neutral Channels Have a Molded 4"(111) No-Hub Bottom Connection.

CONTRACTOR FRIENDLY



INTEGRAL REBAR MOUNTING SYSTEMS



Figure # 9869-R
Rebar Channel Support Chair

Product Features:

- Uses rebar or other job site materials to support and hold channel ends together
- Allows for vertical and horizontal adjustment to Smith/ACO Trench Drain Series channels.

FUNCTION: This installation tool uses rebar or other job site materials to support and hold channel ends together, allowing vertical and horizontal adjustment to Smith/ACO and Enviro-Flo® Trench Drain Series channels. Supports channels and keeps them from floating, allows vertical and horizontal adjustment for a monolithic cement pour Suitable for 9814, 9816, 9818, and 9820 Drainage Systems.

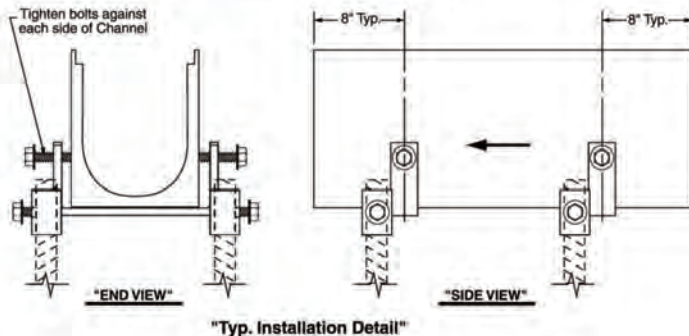
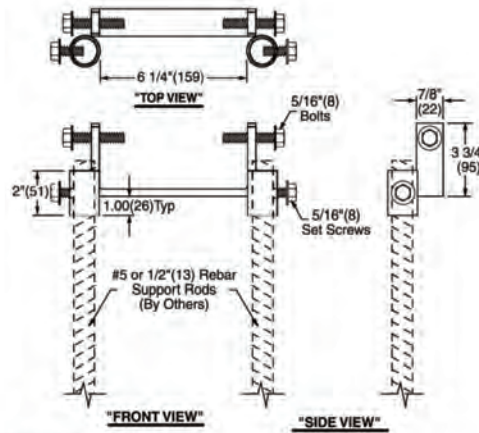


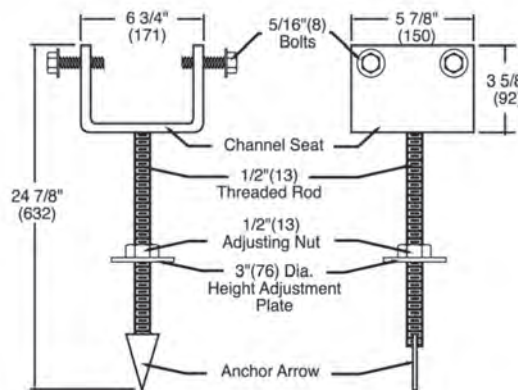
Figure # 9869-D
Double Arrow Channel Support

Product Features:

- Supports and holds two (2) channel ends together
- Allows for vertical and horizontal adjustment to Smith/ACO Trench Drain Series.

DOUBLE ARROW CHANNEL SUPPORT CHAIR

Function: This installation device supports and holds channel ends together, allowing vertical and horizontal adjustment to Smith/ACO Trench Drain Series.



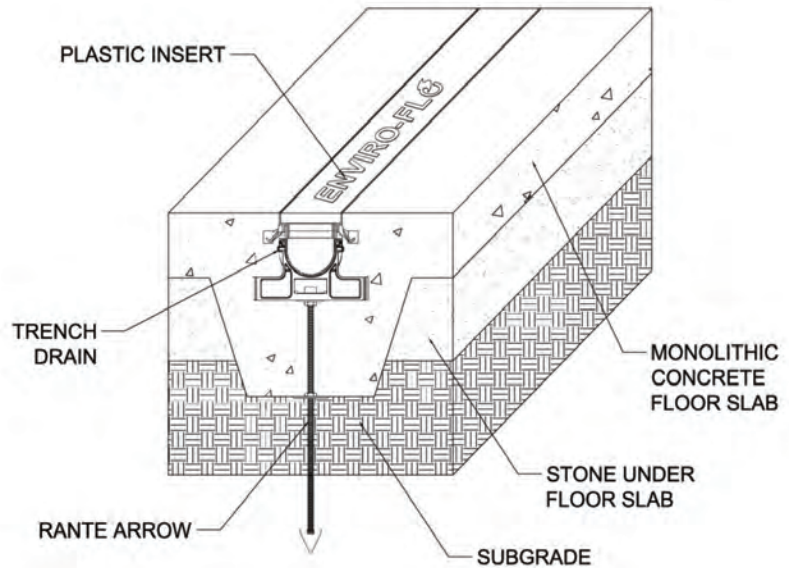


RANTE ARROW MOUNTING SYSTEM



Figure # 9849
Rante-Arrow Channel Chair

FUNCTION: The 9849 Rante-Arrow is designed for use with the 9930 and 9931 systems. The 9849 Rante-Arrow firmly anchors the channel system in most sub-base conditions, eliminating flotation and allowing for a monolithic pour. Provides vertical and horizontal adjustments for quick and easy leveling.



Product Features:

- The Rante-Arrow Channel Chair requires only one (1) anchor per 39" of Enviro-Flo® II Trench Drain channel length - an entire system can be installed by one person.
- The Rante-Arrow has a built in leveling device, requiring one person and a wrench to adjust channel height.
- Provides vertical and horizontal adjustments for quick and easy leveling.



CONTRACTOR FRIENDLY



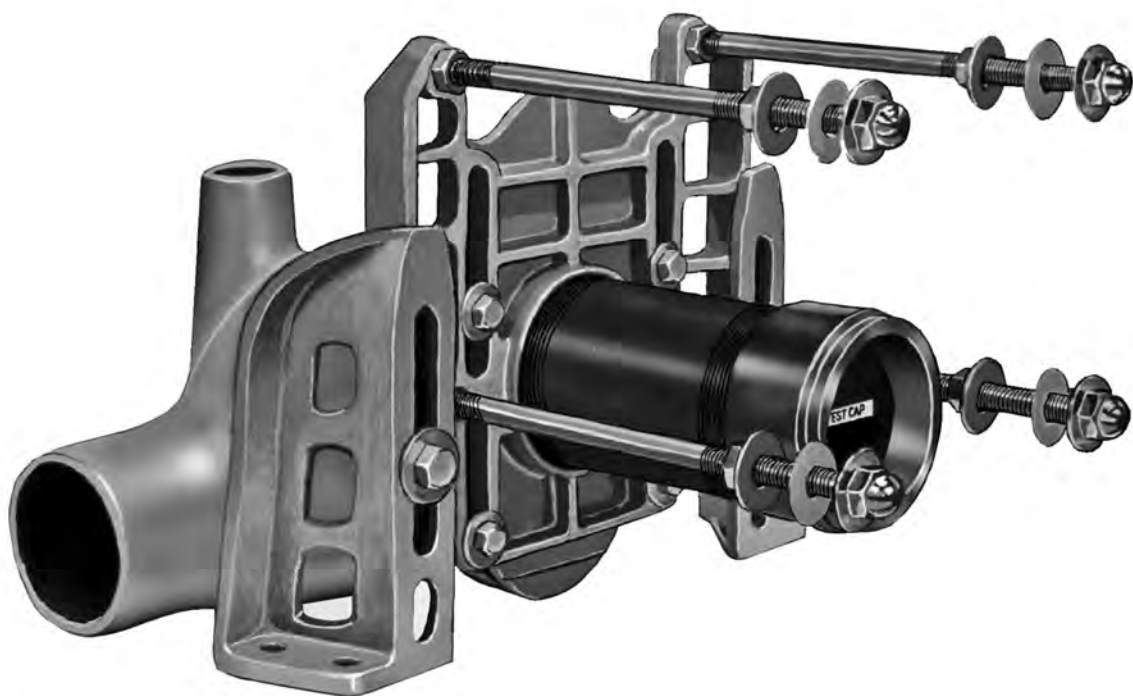
JAY R. SMITH MFG. CO.
MEMBER OF MORRIS GROUP INTERNATIONAL



Contractor Friendly Products

Products that are labor saving and easy to install





ORDERING GUIDELINES



0100-0600 SERIES

After identifying the proper options required to meet the engineering specification, place order as shown below:

Examples:

0211LY

0544DY

Figure No. _____
 Type of Fitting (Left Hand) _____
 Type of Connection (NO-HUB) _____

Figure No. _____
 Type of Fitting (Double) _____
 Type of Connection (NO-HUB) _____

WATER CLOSET SUPPORTS

ADJUSTABLE WATER CLOSET SUPPORTS WITH FITTINGS



Single - Vertical
with 2 Side Hub Inlets



Single - Vertical
Long Barrel



Double - Vertical
with 2 Side Hub Inlets



Single - Vertical
Long Barrel with 2 Side Hub Inlets



Double - Horizontal



Single - Horizontal



"Linebacker"



Single - Vertical

Fig. 0115-0250

HORIZONTAL - VERTICAL FITTINGS

WATER CLOSET SUPPORTS



COMPACT WATER CLOSET SUPPORTS WITH VERTICAL FITTINGS



Fig. 0400

OFFSET - CENTER LINE FITTINGS

LIGHT COMMERCIAL AND RESIDENTIAL WATER CLOSET SUPPORTS



STUD-MOUNT - FLOOR-MOUNT - ADAPTOR TYPE

FACE PLATE TYPE



Fig. 0600

LABOR SAVER® URINAL SUPPORTS



Fig. 0609-0617

URINAL SUPPORTS



Fig. 0629-0637



STACK FITTINGS

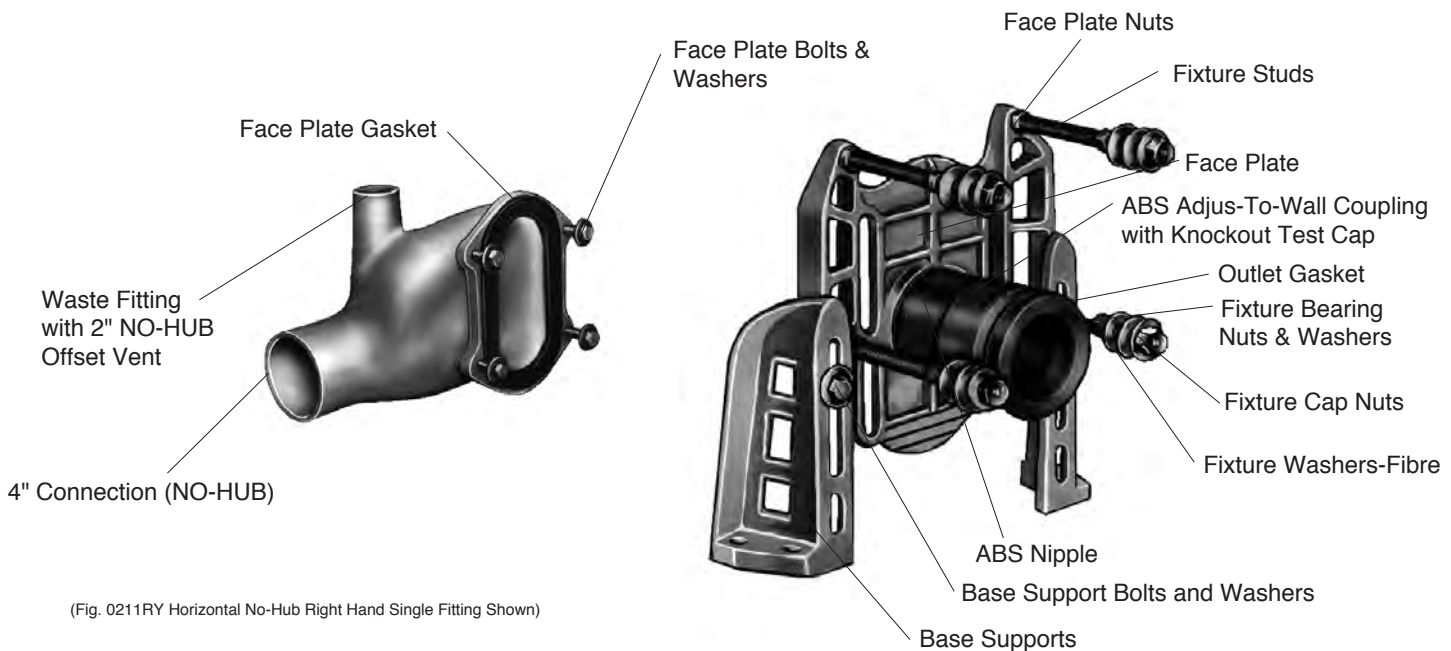


Fig. 0660

TECHNICAL DATA

TYPICAL SMITH ADJUSTABLE FIXTURE SUPPORT WITH WASTE FITTING

LINEBACKER®



(Fig. 0211RY Horizontal No-Hub Right Hand Single Fitting Shown)

MATERIALS

PART	REGULARLY FURNISHED	OPTIONAL MATERIALS
Waste Fitting	Duco Cast Iron	Galvanized Cast Iron
Face Plate	Duco Cast Iron	Galvanized Cast Iron
Base Supports	Duco Cast Iron	Galvanized Cast Iron
Nipple	(ABS)	Cast Iron
Coupling	(ABS)	Cast Iron
Face Plate Gasket	Neoprene	
Bolts, Nuts & Washers	Zinc Plated Steel	
Fixture Studs	Zinc Plated Steel	
Fixture Washers	White Fibre	
Fixture Cap Nuts	Chrome Plated	
#90 Smith Seal	Non-Hardening Gasket Compound	
Fixture Stud Protector	Sleeve	
Coupling Protector	Polystyrene Sleeve	
Outlet Gasket	Neoprene	Impregnated Felt

NOTE: The water closet outlet gasket regularly furnished is made of molded neoprene and designed to fit water closet outlet dimensions and configurations shown in ASME Standard A112.19.2M, Figure 13B. If gasket is not found to be compatible to fixture due to nonconformance of said fixture to ASME A112.19.2M, then fixture manufacturer shall be consulted for a suitable gasket recommendation. Jay R. Smith Mfg. Co. assumes no liability for connections to fixtures which do not conform to these standards.

VARIATIONS

Style of fitting and type of connection are described with specific figure numbers on the following pages. Listed below are variations to the specific figure numbers available and page number reference for further explanation.

FITTINGS

Tapped Auxiliary Inlets (Suffix N)	Pg. 32
Vent Locations - Alternate	Pg. 32
Rear Anchor Foot Assembly (-M51)	Pg. 34

FACE PLATE

0100 Series HI-SET	Pg. 35
0100 Wide Pipe Chase (Suffix -M40)	Pg. 34
0200 Series 4" and 5" Rough	Pg. 31

BASE SUPPORT

High Base Support for Wheel Chair Patients (-M50)	Pg. 34, Pg. 35
---	----------------

ADJUS-TO-WALL OUTLET CONNECTION

Nipple Lengths	Pg. 32
Minimum Dimension - 1 1/2"	Pg. 33

OPTIONAL CLOSET OUTLET CONNECTIONS

Floor Mounted	
Back Outlet Type No. 2 & 2M	Pg. 33
M73	Pg. 33
M74	Pg. 33
M54	Pg. 34

MISCELLANEOUS ACCESSORIES

Supply Guide (Suffix -M12)	Pg. 34
Tiling Frame (Suffix -M13)	Pg. 34
Coupling Protector	Pg. 32
Water Closet Setting Gauge (M17)	Pg. 30

Smith engineers have developed an unusually complete line of fixture supports for mounting all types of "off the floor" fixtures. Supports have been designed for water closets, urinals, lavatories, sinks, drinking fountains and many special purpose hospital, institutional and industrial plumbing fixtures.

DEFINITION

Fixtures which are wall mounted and have no external contact with the finished floor are classified as "off the floor plumbing fixtures." Fixtures so mounted are supported on concealed cast iron or steel supports (carriers). These supports are completely concealed in the wall, and support the load of the fixture by means of a suitable face plate and base support which is firmly anchored to the floor. Thus the load of the fixture is effectively taken off the wall and transmitted to the floor.

WATER CLOSET SUPPORT SYSTEMS

By incorporating a waste fitting which functions in conjunction with the support section, an entire system of "Combined Fixture Supports and Waste Fittings" has been developed. Thus, when mounting "off the floor" water closets, a complete unit is available which supports the fixture and includes a fitting which will tie into the drainage piping system. Fittings are available in vertical and horizontal patterns. Used in combinations, these fittings can satisfy waste and vent requirements of most systems.

Smith engineers have worked closely with plumbing designers, contractors and code officials to develop a system which meets their rigid demands and requirements. Particular attention was given in design so that--

- the engineer can select supports with fittings to meet all problems created by architectural, structural, code or esthetic requirements.
- the plumbing contractor can easily and economically install a rigid and code approved support with fitting, which will function for the lifetime of the building.
- the code official is assured that fittings used with supports are designed to meet code requirements relative to the proper sizing for drainage piping and venting.

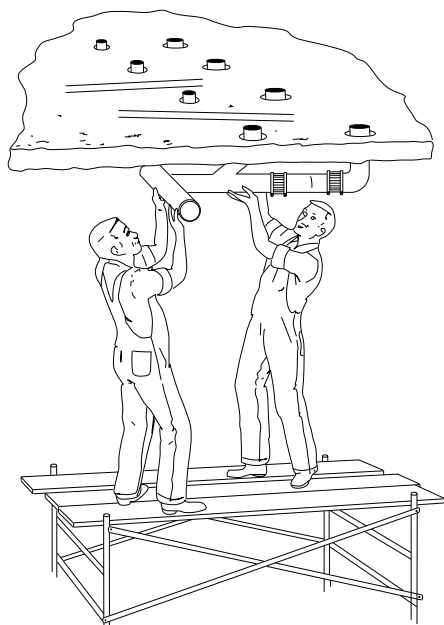


Fig. 1

INSTALLING PIPING FOR FLOOR MOUNTED FIXTURES

ADVANTAGES OF "OFF THE FLOOR" WATER CLOSETS OVER FLOOR MOUNTED

Design--The complete line of fittings available offers great latitude to architects and engineers when laying out the spacing, piping diagrams and wall space requirements for plumbing fixtures. The Smith system offers the engineer an option of designing a plumbing drainage system which is compact, yet extremely functional. The architect is assured that the system uses a minimum of floor space, with all the necessary components included.

Installation--Off the floor water closet systems can be installed more economically than conventional floor mounted systems. This comparison is particularly obvious in multi-story buildings which have batteries of water closets on each floor. The contractor is assured a simple, fast and efficient installation. Off the floor systems reduce costs for the following reasons:

1. Less sleeving. In most cases only one sleeve is required to take care of the vertical inlet fitting at the start of the horizontal run.
2. Since all the roughing is done on the floor and not in the ceiling below, no scaffolding, ladders or similar supports are required (Fig. 1).
3. The installer works on the floor (Fig. 2) and not in the ceiling below; thus, time is saved since working conditions are more favorable.
4. Because all the rough-in piping is on the floor above, "dropped ceilings" are not required; thus, ceiling space is saved. This enables building ceiling height to be lower, effectively saving overall construction costs.

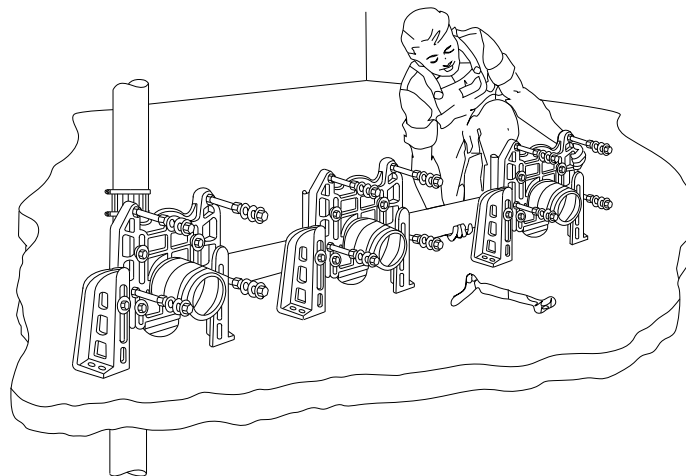
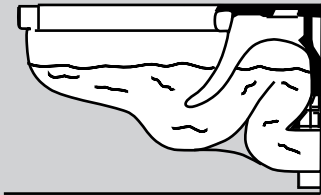
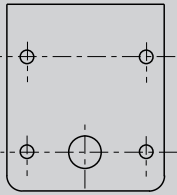


Fig. 2

INSTALLING PIPING FOR "OFF THE FLOOR" FIXTURES

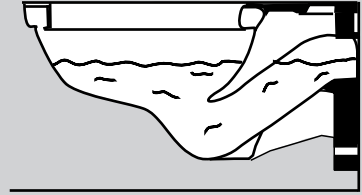
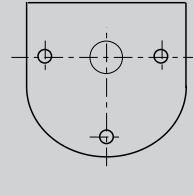
Sanitation--After the building is turned over to the owners, cost for cleaning in the area under the "off the floor" water closets is considerably less than in similar areas which have floor mounted fixtures. A mop is easily passed under off the floor fixtures thoroughly cleaning the floor beneath as compared to the very difficult task of cleaning around and in back of floor mounted water closets. Cleaning costs are reduced, and the toilet room is maintained in a more sanitary condition.

TYPES OF WATER CLOSETS



SIPHON JET

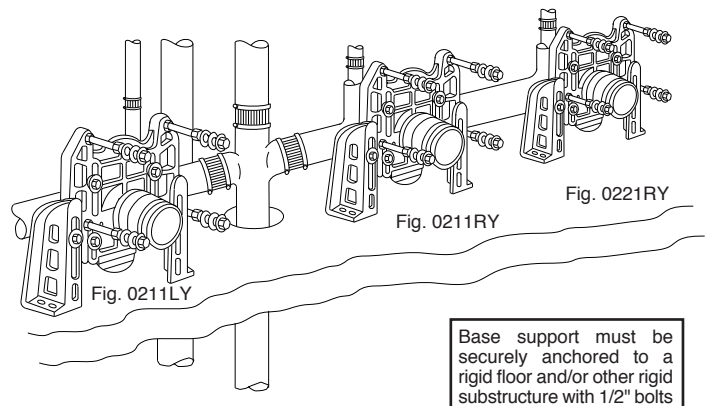
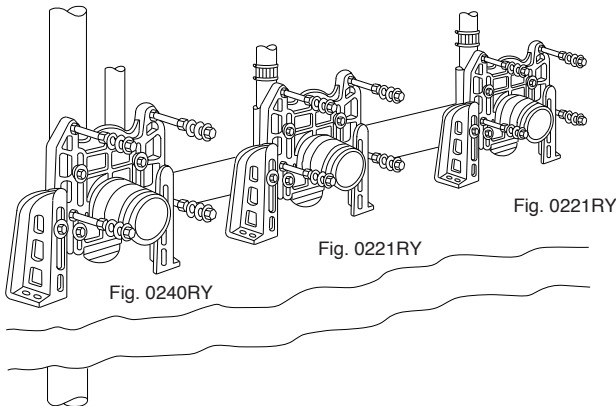
The siphon jet bowl is the most common because its action is relatively silent and economical in water usage. It operates by a jet of water directed through the trapway which quickly fills and starts the siphonic action immediately upon flushing. Its quiet action and large water surface, among other features, make it the most desirable bowl type. It is readily distinguished by the four bolt holes which receive the fixture support studs.



BLOWOUT

The blowout bowl is particularly adapted for public use as in airports, stadiums or plant washrooms. Its action is a driving one of high velocity. It is economical in water use and has a large water area and an unrestricted trapway. It is also more noisy than the siphon jet bowl because of its direct jet action. The blowout bowl is secured to the supports by three studs.

TYPICAL BATTERY INSTALLATIONS



Base support must be securely anchored to a rigid floor and/or other rigid substructure with 1/2" bolts furnished by others.

Battery of horizontal fittings with adjustable closet supports used in conjunction with a vertical fitting.

Battery of horizontal fittings with adjustable closet supports connected to a stack fitting.

The architect's construction design and physical layout of the toilet room dictates the type of fittings that can be selected by the engineer for battery installations. The engineer's drainage and vent system design must be in accordance with the local plumbing code in force.

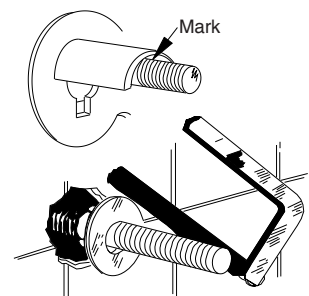
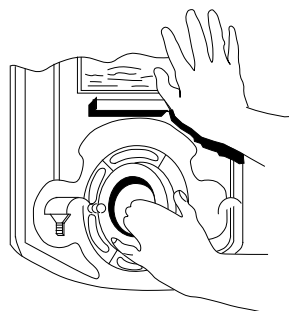
SUFFIX -M17 WATER CLOSET SETTING GAUGE



Smith's lightweight cast aluminum water closet setting gauge is available for siphon jet bowls. The gauge has the same dimensions as the rear of the "off the floor" siphon jet bowl and is designed to eliminate costly trial and error test mounting and reduce the number of bowl "lifts" per day. The gauge locates the correct position of bearing washers and nuts, locates the correct protrusion of outlet coupling and support studs and checks the plumb of the wall. When the bowl is lifted, it's ready to be installed.

Features of the Closet Setting Gauge include:

1. Leveling pads to check horizontal alignment.
2. Four openings to check vertical and horizontal stud alignment.
3. Four extensions to determine stud length.
4. Vertical plumb line.
5. Four recesses in back of gauge for positioning of bearing washers.
6. Opening with coupling setting locations for outlet connection.

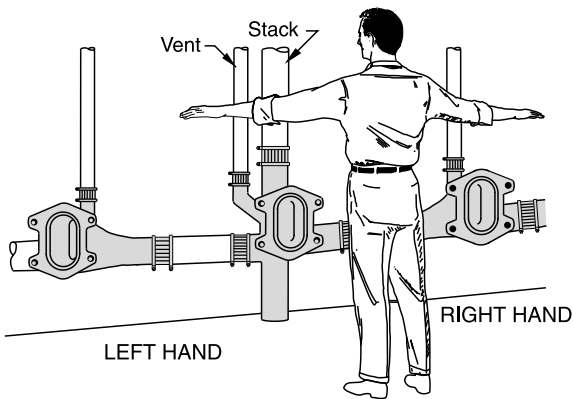


Slip gauge over studs and hold tight against wall. Check for plumb and level. Adjust bearing washers and nuts to fit tight against back of gauge. Make necessary adjustments for alignment of studs.

Hold gauge tight against wall and adjust outlet coupling flush with pad corresponding to closet horn depth.

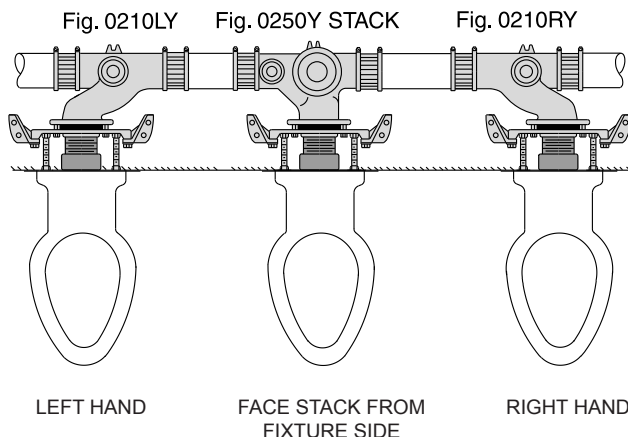
Hold gauge tight against bearing nuts and washers, and mark cut-off point of studs flush with gauge extensions. Remove gauge and cut off studs. Install bowl.

SELECTION OF VERTICAL FITTING WITH SIDE INLETS

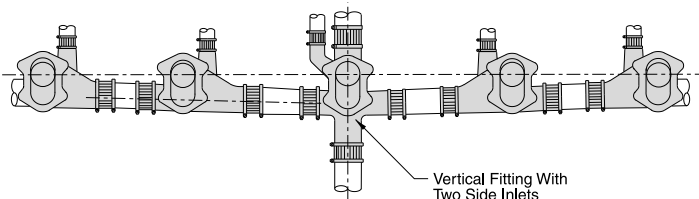


Selecting the proper vertical stack fitting is of prime importance since that fitting with side inlets is the start of the horizontal battery of fittings and supports. To determine left or right hand fitting, face the stack from the fixture side of the wall. If the inlet is to the left of the stack, it is a left hand fitting. If the inlet is on the right of the stack, it is a right hand fitting. The vent is always located on the same side as the inlet on a single inlet stack fitting.

DETERMINING LEFT OR RIGHT HAND HORIZONTAL FITTINGS



Left or right hand fitting is always determined by facing the stack from the fixture side of the room. Closet fittings to the left of the stack are left hand fittings. Closet fittings to the right of the stack are right hand fittings.



TYPICAL INSTALLATION

FACE PLATE SELECTION

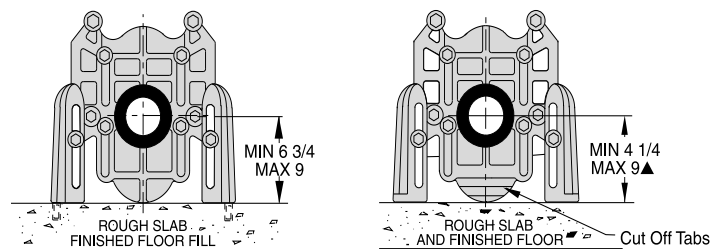


Fig. 0100

Fig. 0200

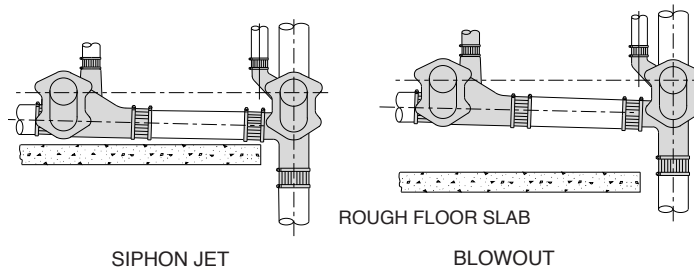
0200 Series 4" or 5" rough-in face plate available.

Fig. 0200 SERIES SHALLOW ROUGH-IN TYPE

The face plate is designed for one-pour construction, consisting of a single slab with fill and 1/4" finished material.

▲ Cut-off grooves provided on 0200 Series face plates. This allows removal of tabs to accommodate 5" or 4 1/4" minimum roughs.

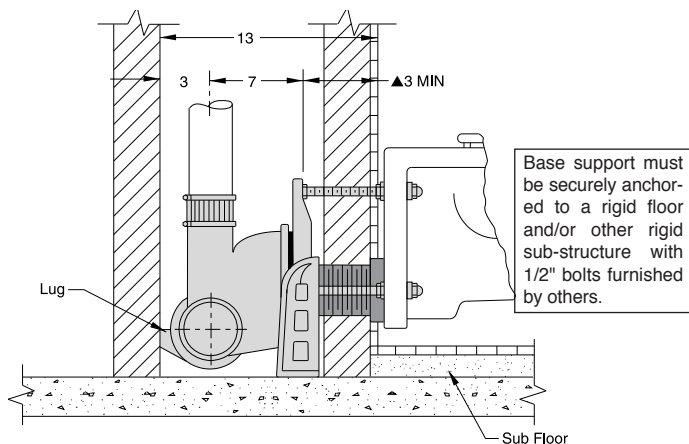
ROUGHING OF VERTICAL ADJUSTABLE FITTINGS WITH SIDE INLETS



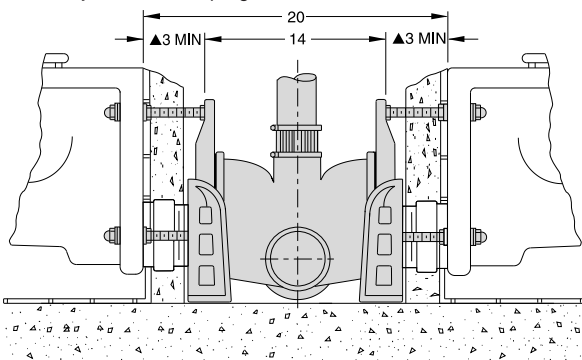
Siphon Jet--The location of the side inlet is determined by the center of the closet outlet to the finished floor plus the thickness of the finished floor materials. This will determine where the inlet will be in relation to the rough floor. For shallow roughing (0200 Series) or one-pour slab construction, the side inlet should always set on the slab floor.

Blowout--The location of the side inlet should be set in the lowest position from center line of the closet outlet to center line of side inlet.

▲ SPACE REQUIREMENTS FOR SINGLE AND DOUBLE HORIZONTAL SUPPORTS

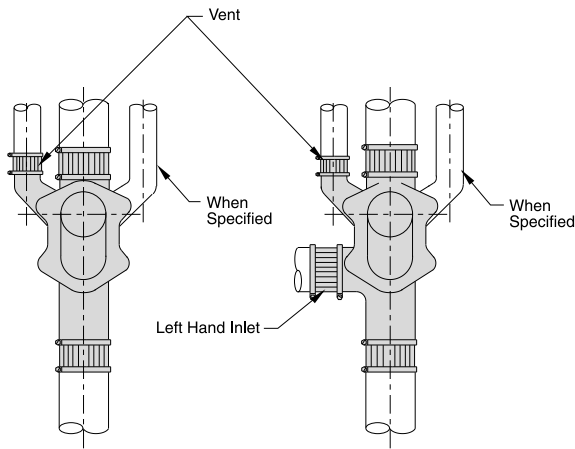


▲3" minimum shown is attained using Regularly Furnished ABS Nipple and Adjus-to-Wall Coupling. Absolute Minimum of 1 1/2" is available using short butt end nipple, less Adjus-to-Wall Coupling.



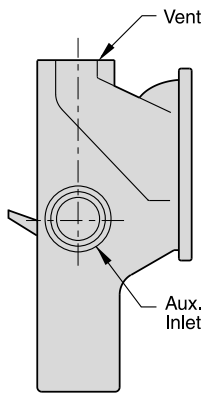
Shown is the minimum pipe space required for a single and double horizontal support.

VENT LOCATIONS ON VERTICAL ADJUSTABLE FITTING



All Smith vertical adjustable fittings without side inlets are regularly furnished with a 2" vent on the left side. This vent can be located on the right side when specified. Smith vertical adjustable fittings with side inlet are regularly furnished with 2" vent on the same side as the inlet. The vent can be located on the side opposite the side inlet when specified.

AUXILIARY INLET CONNECTION SUFFIX -N15 SUFFIX -N2

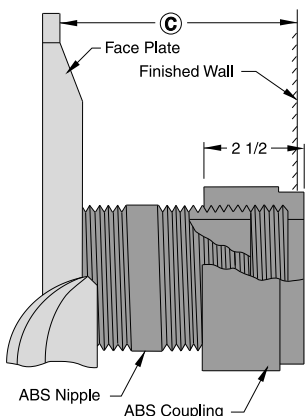


NOTE: Vent and auxiliary inlet, are always located on same side (unless otherwise specified).

All vertical adjustable fittings can be supplied with either a -N15 (1 1/2") or -N2 (2") tapped inlet, either side. To indicate auxiliary connection, add Suffix -N to the figure number and specify location and size desired. The auxiliary inlet is ideal for receiving waste from lavatories, urinals, etc., where local code will permit. When using soil pipe, the female iron pipe thread can be converted to hub with Smith Fig. 2645 adaptor, or to NO-HUB with Smith Fig. 2646Y adaptor.

© DIMENSION - ADJUS-TO-WALL TYPE OUTLET CONNECTION

The Smith Adjus-to-Wall outlet connection provides adjustment at the face of the wall at the time the fixture is set; thus, compensating for wall construction variations. The © dimension is measured from the front of the face plate to the face of the finished wall. To properly determine the length of nipple required, deduct 1" from the © dimension. The Adjus-to-Wall coupling will provide 1/2" horizontal adjustment in either direction with the coupling extended 5/16" past face of the finished wall.

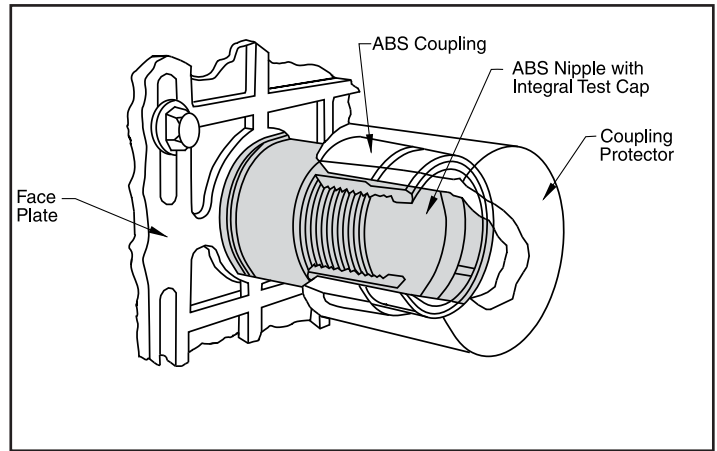


NIPPLE LENGTH	©	
	MIN	MAX
2 1/2	2 1/4	3 1/4
*3 1/4	3	4
*8 1/4	8	9
10	9 3/4	10 3/4
12	11 3/4	12 3/4
15	14 3/4	15 3/4
18	17 3/4	18 3/4

*ABS (Regularly Furnished) other lengths PVC.

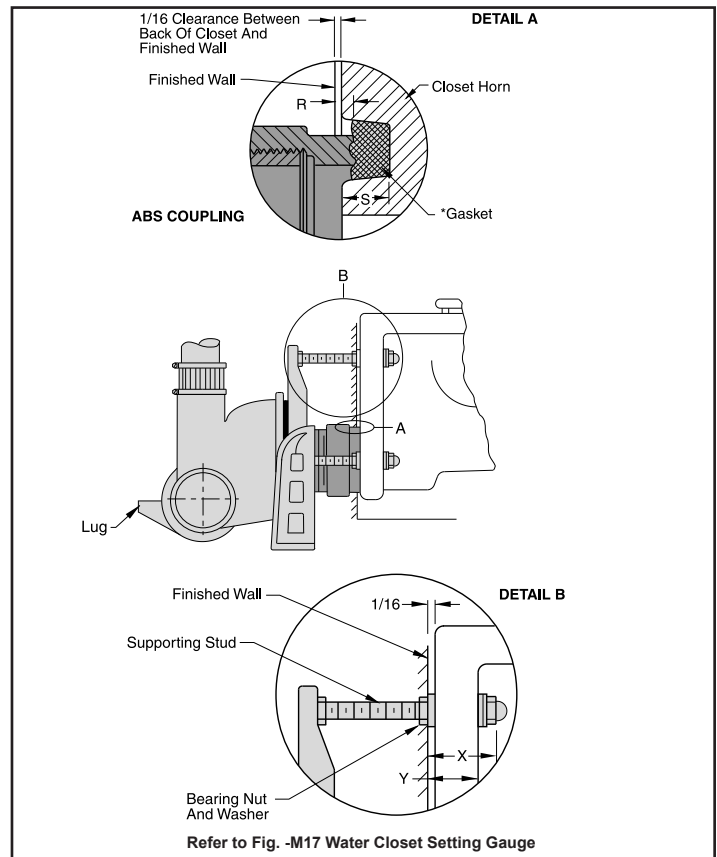
NOTE: When nipple lengths between 3 1/4" and 8 1/4" are specified, the 8 1/4" nipple will be supplied and must be cut to length by others.

COUPLING PROTECTOR



Every Smith Adjus-to-Wall outlet connection is furnished with a polystyrene coupling protector. This protector covers the outlet connection during the wall construction and later permits easy adjustment of the coupling to the finished wall.

RECOMMENDED SETTING OF CLOSET OUTLET CONNECTION AND FIXTURE STUDS



Manufacturers have slight differences in the depth of the closet horn and flange thickness of their closets. Usually the fixture support closet connection should extend 5/16" beyond face of finished wall (Dimension "R") and the fixture studs 2 1/4" (dimension "X"). For exact dimensions, please use the formulas below:

DETAIL A $S + 1/16" - D = R$

R = Distance coupling should extend beyond finished wall.

S = Depth closet horn

1/16" = Distance closet is to set away from finished wall.

*D = 1/2" for felt gasket and 3/8" for neoprene gasket.

NOTE: When the fixture is installed, closet gasket must be compressed sufficiently to assure a gas and water tight seal.

DETAIL B $Y + 1/16" + 9/16" = X$

X = Distance supporting stud should extend beyond finished wall.

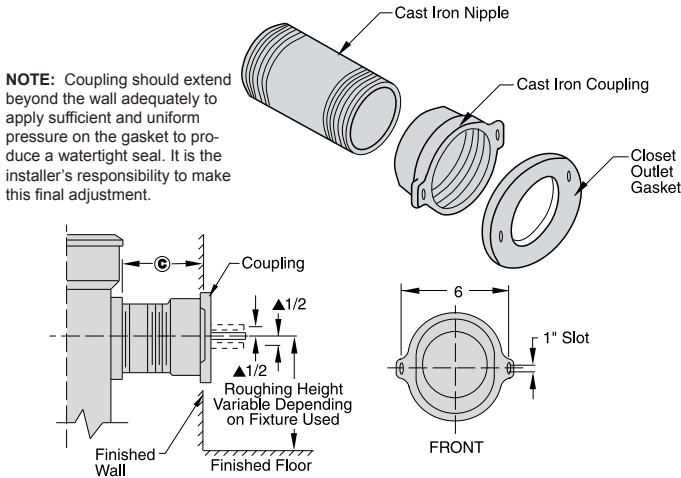
Y = Thickness of closet wall flange.

1/16" = Distance closet is to set away from finished wall.

NOTE: Bearing nuts and washers must be set to take full loading from the fixture allowing 1/16" clearance between fixture and wall.

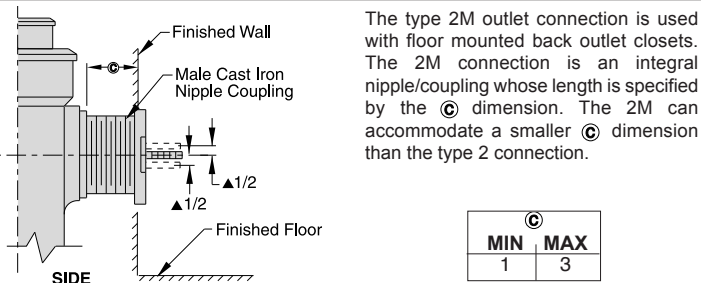
OPTIONAL CLOSET OUTLET CONNECTIONS

For use with floor mounted back outlet closets. Refer to previous page for proper dimension and coupling adjustment. Nipple lengths available are also listed.



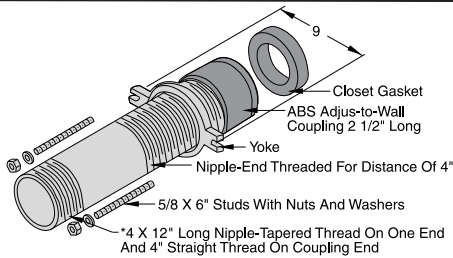
▲NOTE: The 4" adjustable coupling is provided with vertical slotted ears which permit a 1/2" adjustment up or down for variation in finished floor height.

TYPE NO. 2 CLOSET OUTLET CONNECTION

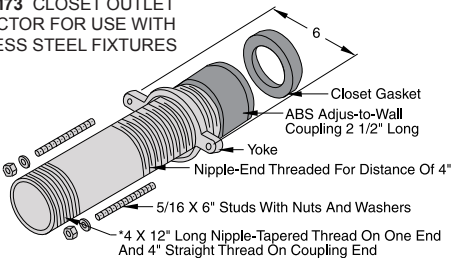


□NOTE: The 4" adjustable coupling is provided with vertical slotted ears which permit a 1/2" adjustment up or down for variation in finished floor height.

TYPE 2M CLOSET OUTLET CONNECTION



TYPE -M73 CLOSET OUTLET CONNECTOR FOR USE WITH STAINLESS STEEL FIXTURES



TYPE -M74 CLOSET OUTLET CONNECTOR FOR USE WITH STAINLESS STEEL FIXTURES

*NOTE: See previous page for Nipple lengths available.

COMPACT FIXTURE SUPPORTS

Smith compact fixture supports with waste fittings are designed specifically for installation where non-adjustable vertical fittings are suitable for construction requirements and minimum pipe space is of prime consideration. These supports are available in both offset and center line waste type.

The offset waste type features an absolute minimum center to back dimension and is arranged with vertical vent connection making it suitable for multi-story installation.

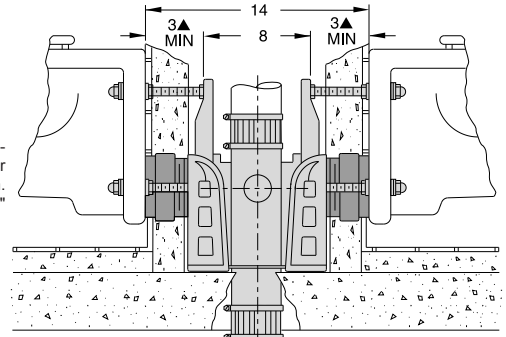
The center line waste type does not have the vent connection and is limited to single story installations. The extension of the vertical waste line is the stack vent.

Both types are available for siphon jet or blowout closet applications.

▲MINIMUM SPACE REQUIREMENTS FOR COMPACT FIXTURE SUPPORTS

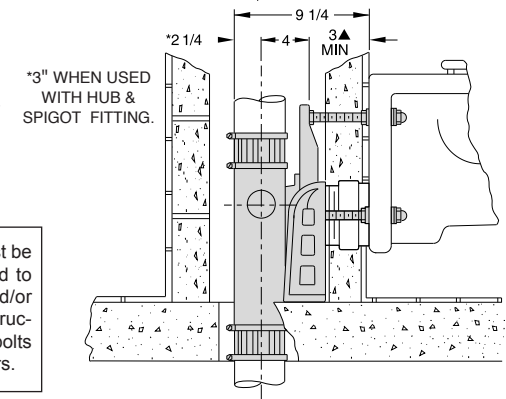
DOUBLE COMPACT OFFSET FITTING

Fig. 0410DY shown installed in a one-pour type floor construction. Dimensions apply to 4" size only.



SINGLE COMPACT OFFSET FITTING

Fig. 0410RY shown installed in a one-pour type floor construction. Dimensions apply to 4" size only.

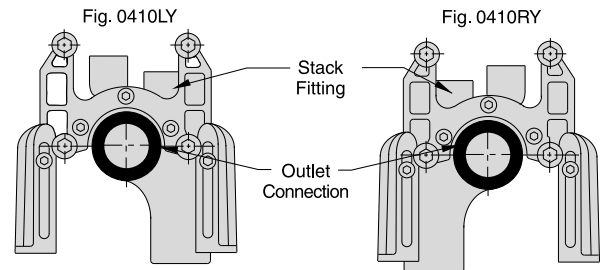


Base support must be securely anchored to a rigid floor and/or other rigid sub-structure with (4) 1/2" bolts furnished by others.

▲3" Minimum shown is attained using Regularly Furnished ABS Nipple and Adjust-to-Wall Coupling.

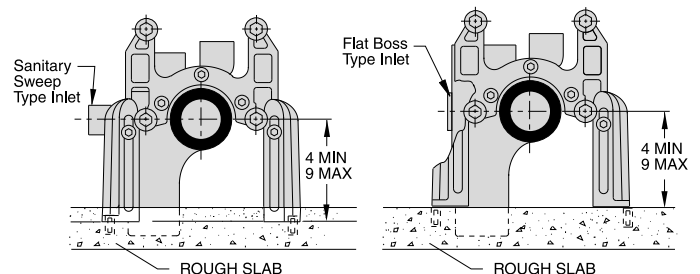
Absolute Minimum of 1 1/2" is available using short butt end nipple, less Adjus-to-Wall Coupling.

DETERMINING LEFT OR RIGHT HAND COMPACT FITTINGS



Face wall looking into closet outlet connection. If connection is on the left side of the vertical stack, it is a left hand support. If on the right side, it is a right hand support.

BASE SUPPORT ADJUSTMENT

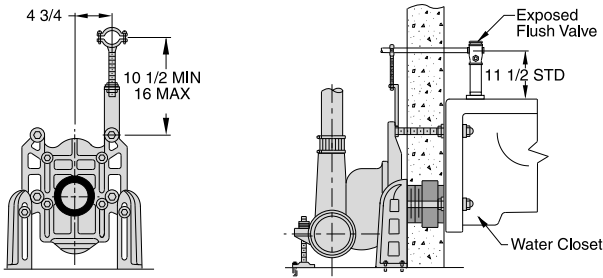


Adjustment limitations are shown above for both one and two-pour construction.

All compact series fixture supports are available with auxiliary inlets. The offset series are available with either a sanitary sweep type inlet or a flat boss type connection. The center line waste type supports are available with only a flat boss type inlet connection. Both inlet types are available in 1 1/4, 1 1/2 or 2" thread. A 2" caulk and no-hub connections are available for the sanitary sweep type inlet.

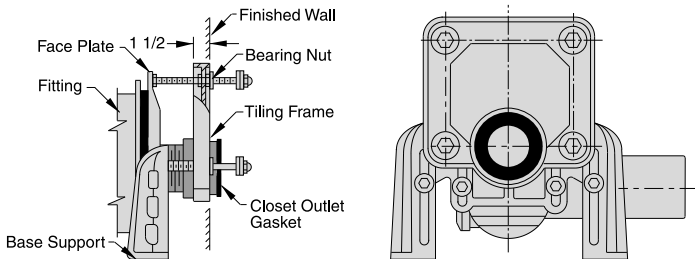
OPTIONAL ACCESSORIES FOR WATER CLOSET SUPPORTS

SUFFIX -M12 EXPOSED FLUSH VALVE SUPPLY SUPPORT



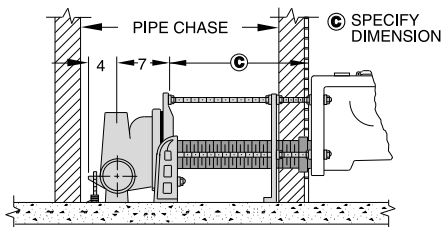
Provides support and alignment for the supply pipe to an exposed flush valve. Available for either blowout or siphon jet fixture supports; must be specified for either 1" copper tube or 1" iron pipe.

SUFFIX -M13 TILING FRAME



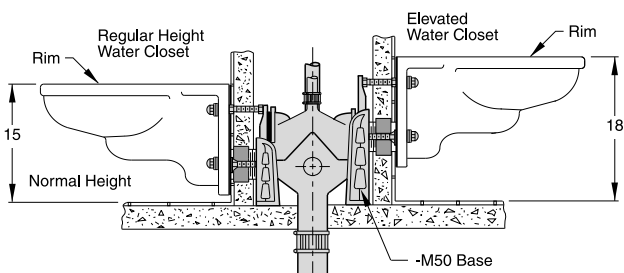
The purpose of this frame is to provide a rim for a flat even surface for the tiler to work to when he is applying the finished wall tile. The end result is an even finish around the frame, thus eliminating any irregular edges and uneven surfaces which can otherwise interfere with the installation of the water closet. Available for siphon jet closets only.

SUFFIX -M40 WATER CLOSET SUPPORT FOR WIDE PIPE CHASE



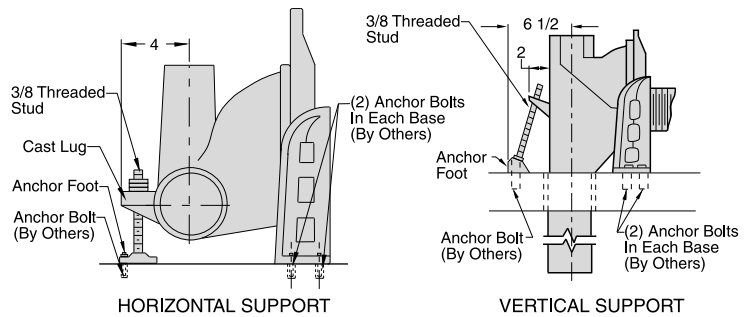
When the (C) dimension exceeds 7", the -M40 Wide Pipe Chase Support should be used. This accessory provides a set of feet directly behind the wall to give extra rigidity where it's most needed. An alignment yoke is furnished to ensure proper alignment of the nipple. For double (back-to-back) installations, specify whether the -M40 accessory is required on one or both sides. When ordering, the (C) dimension must be specified. The -M40 may be used with any vertical or horizontal fixture support.

SUFFIX -M50 ELEVATED SUPPORT BASE



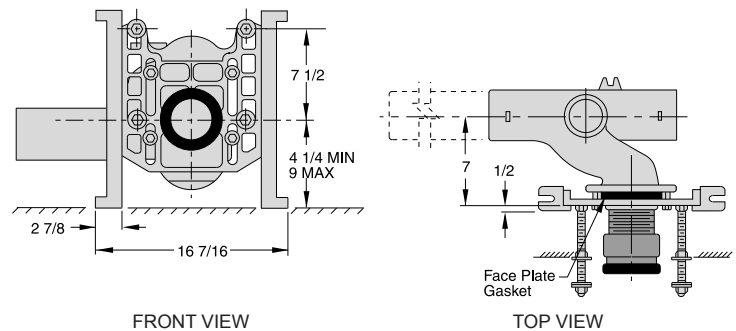
For double (back-to-back) installations which require a single elevated water closet, the -M50 variation may be used with all regular Smith adjustable or single compact supports. Illustrated is a regular double vertical fitting showing siphon jet closets set at normal height and 3" higher on the opposite side to accommodate the wheelchair user. The -M50 is particularly adaptable to hospital or nursing home applications where a single water closet is installed on the stack at each floor. Not recommended for battery installations.

SUFFIX -M51 ANCHOR FOOT

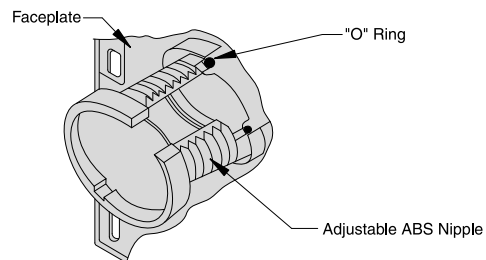


Provides back anchor support for any single horizontal or vertical fixture support. Consists of a 3/8" stud and a cast iron anchor foot. Anchor bolt to concrete must be furnished by others.

SUFFIX -M54 FACE PLATE WITH SIDE MOUNTED BASE SUPPORT ASSEMBLY

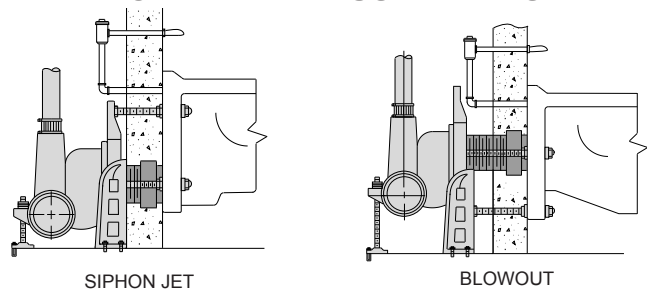


SUFFIX -M58 FACE PLATE WITH ADJUSTABLE NIPPLE AND "O" RING



The -M58 suffix is furnished with the 0200 series faceplate machined for the "O" ring seal and the adjustable 10" ABS nipple.

CONCEALED FLUSH VALVES

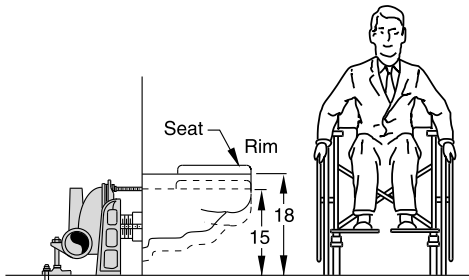


For most siphon jet water closets with concealed flush valves, the supply pipe enters the rear of the water closet above the top of the face plate without interference. (NOTE: There is an exception-Crane water closets have a much lower roughing for the inlet; therefore the face plate must be set behind the supply pipe or from 4 1/2" to 6 1/2" back of the rough wall.) Concealed flush valve piping in all cases does not interfere with the vent connection of the fitting.

A concealed flush valve will not clear the face plate when used with a blowout water closet support. Therefore 4 1/2" to 6 1/2" is required from back of wall to face plate to permit the installation of the concealed flush valve piping.

HI-SET ELEVATED ADJUSTABLE FIXTURE SUPPORTS

FACILITIES FOR WHEELCHAIR USERS



Industrial, commercial and government offices are utilizing the talents of the physically impaired. Design considerations for wheelchair users must be incorporated in modern buildings. Convenient entrance and exit must be assured. Inside the building, toilet facilities for wheelchair users are priority areas for special design.

Smith engineers, alert to these trends, have designed the HI-SET fixture support series so that fixtures for wheelchair users can be mounted without special design by the engineer or extra work by the plumbing contractor.

Installation of raised water closets using conventional supports and fittings is normally very difficult.

Smith designs include:

Horizontal adjustable fittings with elevated inlet flange in left or right hand and double (back-to-back). This design permits the elevated water closet to be roughed at any position in the battery.

Special vertical adjustable fittings with hub inlet located so that elevated water closets can be installed directly on the stack without interfering with a battery of conventional height water closets.

Special extra-high base supports of the strong LINEBACKER® design to accommodate the high rough fixture.

The need for elevated water closets is not limited to wheelchair users only, or to commercial offices. The HI-SET elevated installation aids physically impaired persons in hospitals, institutions, nursing homes and homes for the aged.

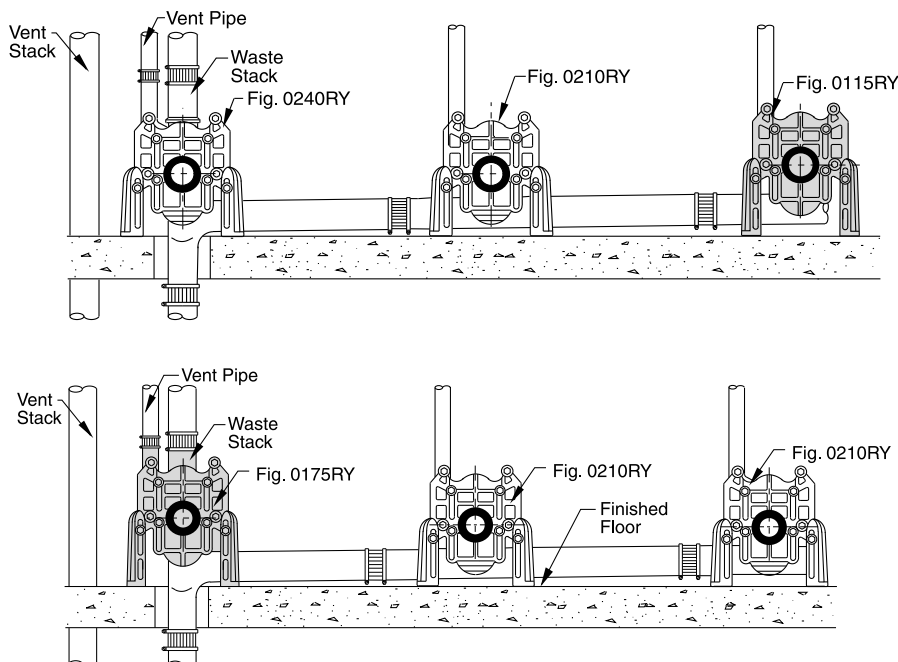
SHALLOW ROUGH CONSTRUCTION FOR HI-SET FIXTURE SUPPORT

Illustrated (top) is a regular vertical inlet fitting (Fig. 0240RY) located at the stack with a new HI-SET horizontal fitting (Fig. 0115RY) located at the end of the battery.

Illustrated (bottom) is a HI-SET vertical inlet fitting with lowered inlet hub (Fig. 0175RY) located at the stack in conjunction with regular horizontal fittings.

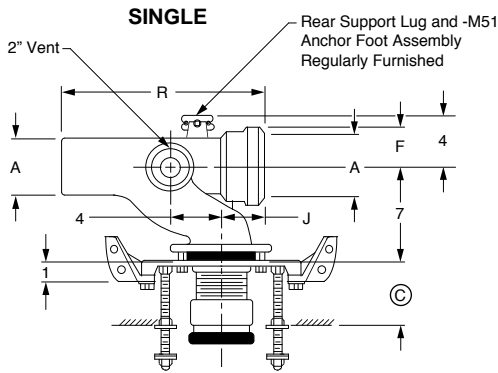
For unusual architectural layouts, consult Smith's Sales Engineering Department for recommendations.

NOTE: ASME Standards indicate 17" to 19" seat height for a hand-capped bowl. The 19" seat height can be obtained using a regular support system. Specify Suffix -M50 when ordering.

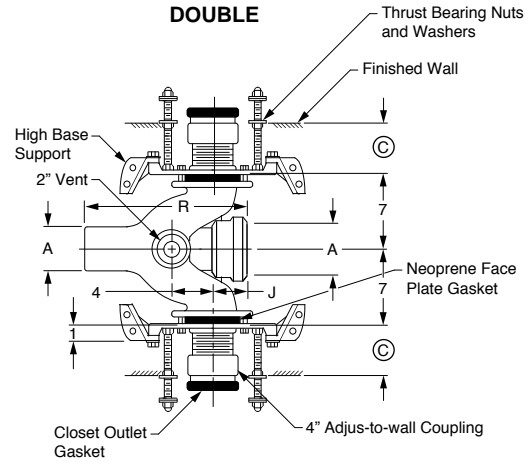


FIXTURE SUPPORTS

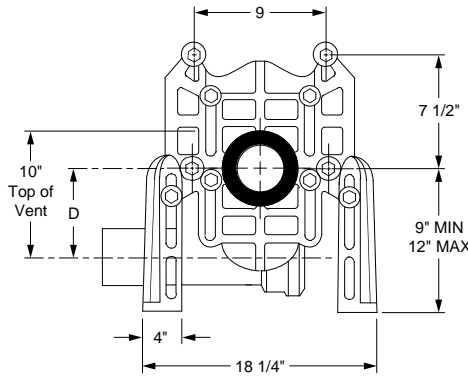
FIG. 0115, 0115Y SERIES HORIZONTAL FITTINGS FOR ELEVATED SIPHON JET WATER CLOSETS FOR WHEELCHAIR USERS DEEP ROUGH-IN TYPE



**Fig. 0115R
Top View**



**Fig. 0115D
Top View**



Front View

© dimension = 4" (regularly furnished) consisting of nipple and Adjus-to-Wall coupling permitting adjustment from 3" min. to 4" max.

The water closet gasket regularly furnished is made of molded neoprene and designed to fit water closet outlet dimensions and configurations shown in ANSI Standard A112.19.2M, Figure 13B. If gasket is not found to be compatible to fixture due to nonconformance of said fixture to ANSI A112.19.2M, then fixture manufacturer shall be consulted for a suitable gasket recommendation. Jay R. Smith assumes no liability for connections to fixtures which do not conform to these standards.

OUTLET TYPE	FIGURE NO.	TYPE OF FITTING	A PIPE SIZE †04"	D		F	J	R	APPROX. WT. LBS.
				MIN	MAX				
CAULK	0115L	Single-Left Hand Hi-set	1,067.00	4 5/8"	8 5/8"	3"	3 3/8"	16"	70
	0115R	Single-Right Hand Hi-set	1,067.00	4 5/8"	8 5/8"	3"	3 3/8"	16"	70
	0115D	Double-Hi-set	1,995.00	4 5/8"	8 5/8"	3"	3 3/8"	16"	134
NO-HUB	0115LY	Single-Left Hand Hi-set	1,067.00	4 5/8"	8 5/8"	2 1/4"	4"	14"	70
	0115RY	Single-Right Hand Hi-set	1,067.00	4 5/8"	8 5/8"	2 1/4"	4"	14"	70
	0115DY	Double-Hi-set	1,995.00	4 5/8"	8 5/8"	2 1/4"	4"	14"	134

NOTE: Service weight regularly furnished on fittings above.
NOTE: Always specify fixture manufacturer's model name and number.



FIXTURE SUPPORTS

FIG. 0175, 0185 SERIES VERTICAL FITTINGS WITH SIDE INLET FOR ELEVATED SIPHON JET WATER CLOSETS FOR WHEELCHAIR USERS DEEP ROUGH-IN TYPE



FIXTURE SUPPORTS

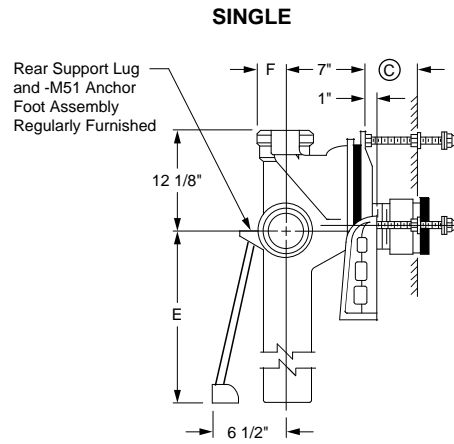


Fig. 0175L - 0185 Side View

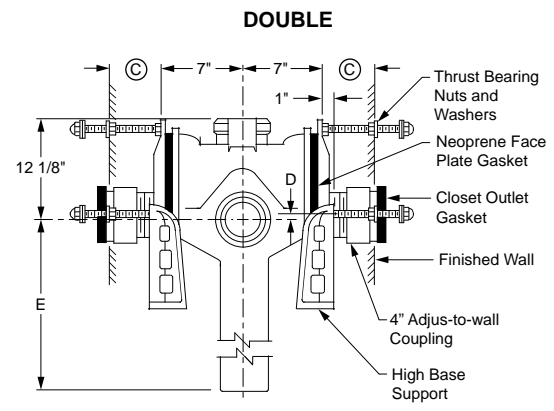


Fig. 0175D - 0185D Side View

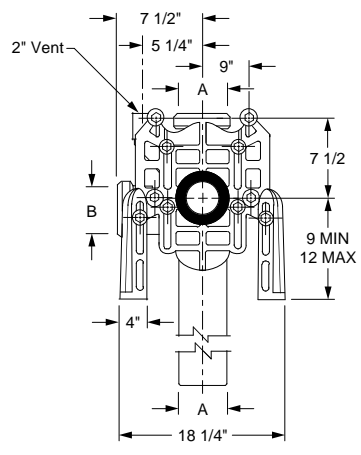


Fig. 0175L - 0185 Front View

© dimension = 4" (regularly furnished) consisting of nipple and Adjus-to-Wall coupling permitting adjustment from 3" min. to 4" max.

The water closet gasket regularly furnished is made of molded neoprene and designed to fit water closet outlet dimensions and configurations shown in ANSI Standard A112.19.2M, Figure 13B. If gasket is not found to be compatible to fixture due to nonconformance of said fixture to ANSI A112.19.2M, then fixture manufacturer shall be consulted for a suitable gasket recommendation. Jay R. Smith assumes no liability for connections to fixtures which do not conform to these standards.

FIGURE NO.	TYPE OF FITTING	A PIPE SIZE †04"	B	D		E	F	APPROX. WT. LBS.	
				MIN	MAX				
CAULK	0175L	Single-Left Hand Hi-set with Side Inlet	1,943.00	04"	4 3/4"	8 3/4"	26 3/4"	3"	110
	0175R	Single-Right Hand Hi-set with Side Inlet	1,943.00	04"	4 3/4"	8 3/4"	26 3/4"	3"	110
	0175D	Double-Hi-set with Side Inlet	2,798.00	04"	4 3/4"	8 3/4"	26 3/4"	3"	111
	0185	Single-Hi-set with Two Side Inlets	2,118.00	04"	4 3/4"	8 3/4"			50
	0185D	Double-Hi-set with Two Side Inlets	2,919.00	04"	4 3/4"	8 3/4"			141
NO-HUB	0175LY	Single-Left Hand Hi-set with Side Inlet	1,943.00	04"	4 3/4"	8 3/4"	10 7/8"	2 1/4"	110
	0175RY	Single-Right Hand Hi-set with Side Inlet	1,943.00	04"	4 3/4"	8 3/4"	10 7/8"	2 1/4"	110
	0175DY	Double-Hi-set with Side Inlet	2,798.00	04"	4 3/4"	8 3/4"	10 7/8"	2 1/4"	111
	0185Y	Single-Hi-set with Two Side Inlets	2,118.00	04"	4 3/4"	8 3/4"			50
	0185DY	Double-Hi-set with Two Side Inlets	2,919.00	04"	4 3/4"	8 3/4"			141

NOTE: Service weight regularly furnished on fittings above.
NOTE: Always specify fixture manufacturer's model name and number.



FIXTURE SUPPORTS

FIG. 0208Y HORIZONTAL FITTINGS FOR SIPHON JET WATER CLOSETS SHALLOW ROUGH-IN TYPE

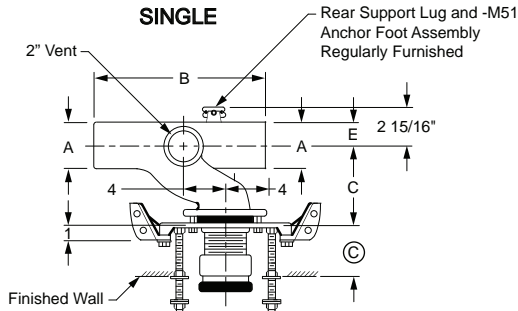


Fig. 0208RY Top View

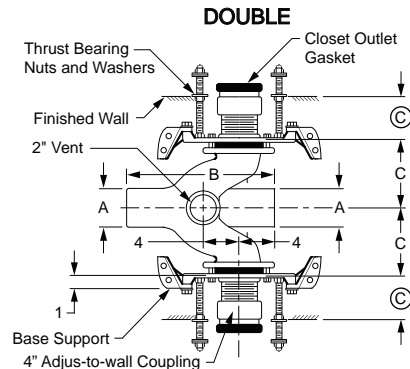


Fig. 0208DY Top View

© dimension = 4" (regularly furnished) consisting of nipple and Adjus-to-Wall coupling permitting adjustment from 3" min. to 4" max.

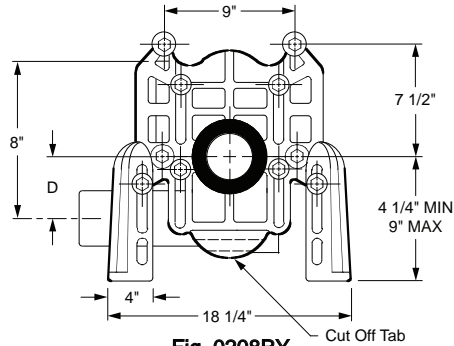


Fig. 0208RY Front View

The water closet gasket regularly furnished is made of molded neoprene and designed to fit water closet outlet dimensions and configurations shown in ANSI Standard A112.19.2M, Figure 13B. If gasket is not found to be compatible to fixture due to nonconformance of said fixture to ANSI A112.19.2M, then fixture manufacturer shall be consulted for a suitable gasket recommendation. Jay R. Smith assumes no liability for connections to fixtures which do not conform to these standards.

FIGURE NO.	TYPE OF FITTING	A PIPE SIZE		B	C	D		E
		03"	04"			MIN	MAX	
NO-HUB	0208LY	Single-Left Hand	783.00	14"	5 5/16"	5/8"	3 3/8"	1 11/16"
	0208RY	Single-Right Hand	783.00	14"	5 5/16"	5/8"	3 3/8"	1 11/16"
	0208DY	Double	1,354.00	14"	5 5/16"	5/8"	3 3/8"	1 11/16"

FIXTURE SUPPORTS

FIG. 0209Y, 0219Y SERIES HORIZONTAL FITTINGS FOR SIPHON JET WATER CLOSETS

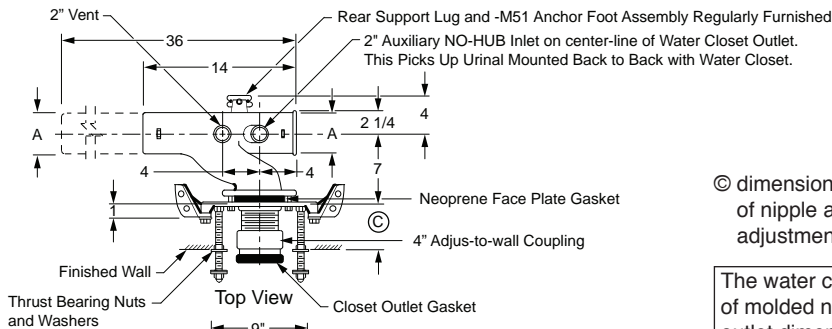


Fig. 0209Y Front View

© dimension = 4" (regularly furnished) consisting of nipple and Adjus-to-Wall coupling permitting adjustment from 3" min. to 4" max.

The water closet gasket regularly furnished is made of molded neoprene and designed to fit water closet outlet dimensions and configurations shown in ANSI Standard A112.19.2M, Figure 13B. If gasket is not found to be compatible to fixture due to nonconformance of said fixture to ANSI A112.19.2M, then fixture manufacturer shall be consulted for a suitable gasket recommendation. Jay R. Smith assumes no liability for connections to fixtures which do not conform to these standards.

OUTLET TYPE	FIGURE NO.	TYPE OF FITTING	A PIPE SIZE †04"	D		APPROX. WT. LBS.
				MIN	MAX	
NO-HUB	0209LY	Single-Left Hand w/Vent and 2" Aux No-Hub Inlet	1,039.00	5/8"	3 3/8"	61
	0209RY	Single-Right Hand w/Vent and 2" Aux No-Hub Inlet	1,039.00	5/8"	3 3/8"	61
	0219LY	Single-Left Hand Long Barrel with Two Vents and 2" Aux No-Hub Inlet	1,388.00	5/8"	3 3/8"	78
	0219RY	Single-Right Hand Long Barrel with Two Vents and 2" Aux No-Hub Inlet	1,388.00	5/8"	3 3/8"	78

NOTE: Service weight regularly furnished on fittings above.
NOTE: Always specify fixture manufacturer's model name and number.

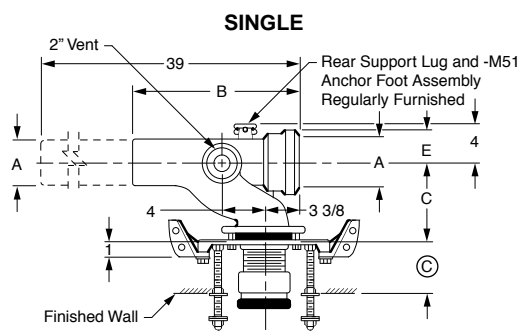


FIXTURE SUPPORTS

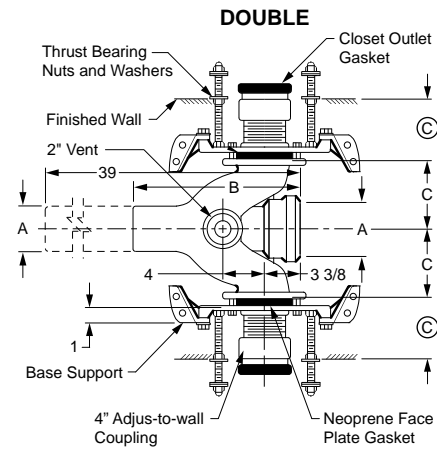
FIG. 0210, 0220 HORIZONTAL FITTINGS FOR SIPHON JET WATER CLOSETS SHALLOW ROUGH-IN TYPE



FIXTURE SUPPORTS

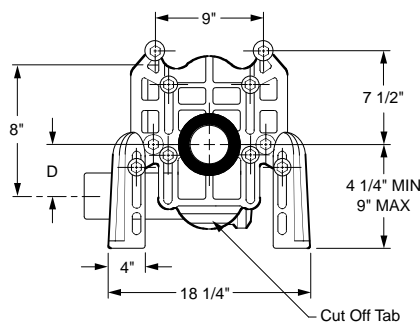


**Fig. 0210R
Top View**



**Fig. 0210D
Top View**

© dimension = 4" (regularly furnished) consisting of nipple and Adjust-to-Wall coupling permitting adjustment from 3" min. to 4" max.



**Fig. 0210R
Front View**

The water closet gasket regularly furnished is made of molded neoprene and designed to fit water closet outlet dimensions and configurations shown in ANSI Standard A112.19.2M, Figure 13B. If gasket is not found to be compatible to fixture due to nonconformance of said fixture to ANSI A112.19.2M, then fixture manufacturer shall be consulted for a suitable gasket recommendation. Jay R. Smith assumes no liability for connections to fixtures which do not conform to these standards.

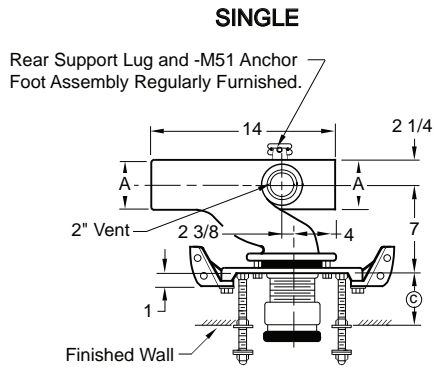
OUTLET TYPE	FIGURE NO.	TYPE OF FITTING	A PIPE SIZE		B	C	D		E	APPROX. WT. LBS.
			†04"	05"			MIN	MAX		
CAULK	0210L	Single-Left Hand	783.00		16"	7"	5/8"	3 3/8"	3"	65
	0210R	Single-Right Hand	783.00		16"	7"	5/8"	3 3/8"	3"	65
	0210D	Double	1,354.00		16"	7"	5/8"	3 3/8"	3"	108
	0210L	Single-Left Hand		1,078.00	15 1/2"	9"	5/8"	3 3/8"	3 1/2"	65
	0210R	Single-Right Hand		1,078.00	15 1/2"	9"	5/8"	3 3/8"	3 1/2"	65
	0210D	Double		1,772.00	15 1/2"	9"	5/8"	3 3/8"	3 1/2"	108
	0220L	Single-Left Hand Long Barrel	1,132.00		16"	7"	5/8"	3 3/8"	3"	82
	0220R	Single-Right Hand Long Barrel	1,132.00		16"	7"	5/8"	3 3/8"	3"	82
	0220D	Double Long Barrel	1,966.00		16"	7"	5/8"	3 3/8"	3"	127
	0220L	Single-Left Hand Long Barrel		1,535.00	15 1/2"	9"	5/8"	3 3/8"	3 1/2"	82
0220R	Single-Right Hand Long Barrel		1,535.00	15 1/2"	9"	5/8"	3 3/8"	3 1/2"	82	
0220D	Double Long Barrel		2,543.00	15 1/2"	9"	5/8"	3 3/8"	3 1/2"	127	

NOTE: Service weight regularly furnished on fittings above.
NOTE: Always specify fixture manufacturer's model name and number.

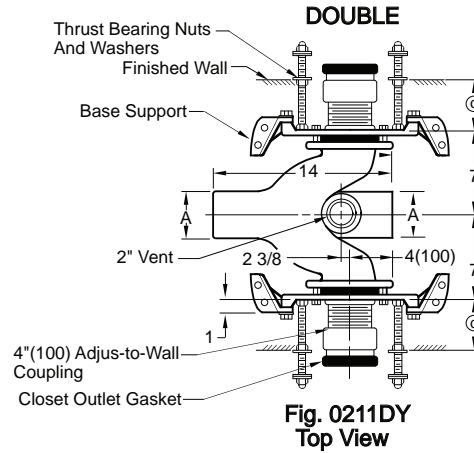


FIXTURE SUPPORTS

FIG. 0211Y, 0221Y HORIZONTAL FITTINGS FOR SIPHON JET WATER CLOSETS SHALLOW ROUGH-IN TYPE

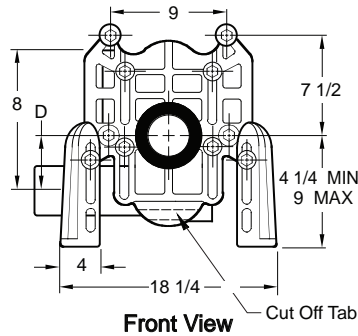


**Fig. 0211RY
Top View**



**Fig. 0211DY
Top View**

© dimension = 4" (regularly furnished) consisting of nipple and Adjus-to-Wall coupling permitting adjustment from 3" min. to 4" max.



The water closet gasket regularly furnished is made of molded neoprene and designed to fit water closet outlet dimensions and configurations shown in ANSI Standard A112.19.2M, Figure 13B. If gasket is not found to be compatible to fixture due to nonconformance of said fixture to ANSI A112.19.2M, then fixture manufacturer shall be consulted for a suitable gasket recommendation. Jay R. Smith assumes no liability for connections to fixtures which do not conform to these standards.

OUTLET TYPE	FIGURE NO.	TYPE OF FITTING	A PIPE SIZE †04"	D	
				MIN	MAX
NO-HUB	0211LY	Single-Left Hand	783.00	5/8"	3 3/8"
	0211RY	Single-Right Hand	783.00	5/8"	3 3/8"
	0211DY	Double	1,354.00	5/8"	3 3/8"
	0221LY	Single-Left Hand Long Barrel	1,132.00	5/8"	3 3/8"
	0221RY	Single-Right Hand Long Barrel	1,132.00	5/8"	3"
	0221DY	Double Long Barrel	1,966.00	5/8"	3 3/8"

NOTE: Service weight regularly furnished on fittings above.
NOTE: Always specify fixture manufacturer's model name and number.

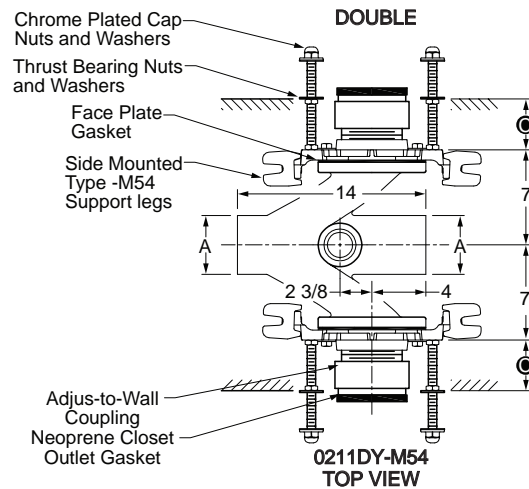
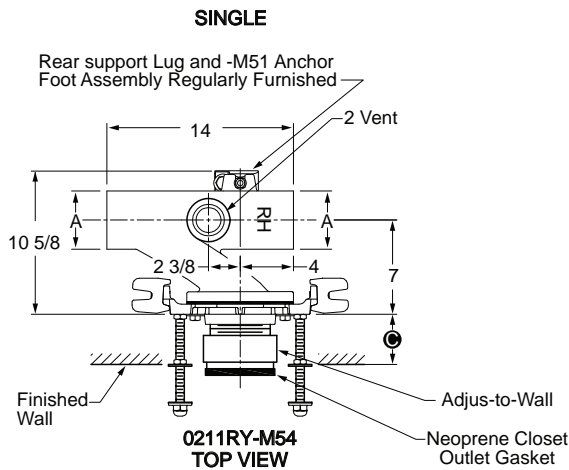


FIXTURE SUPPORTS

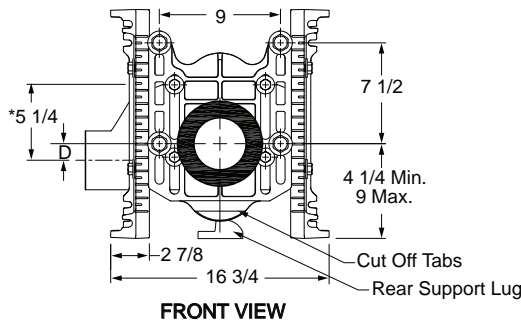
FIG. 0211Y-M54, 0221Y-M54, 0211Y-M58/M54, 0221Y-M58/M54 HORIZONTAL FITTINGS FOR SIPHON JET WATER CLOSETS SHALLOW ROUGH-IN TYPE



FIXTURE SUPPORTS



Ⓞ dimension = 4" (regularly furnished) consisting of nipple and Adjus-to-Wall coupling permitting adjustment from 3" min. to 4" max.



The water closet gasket regularly furnished is made of molded neoprene and designed to fit water closet outlet dimensions and configurations shown in ANSI Standard A112.19.2M, Figure 13B. If gasket is not found to be compatible to fixture due to nonconformance of said fixture to ANSI A112.19.2M, then fixture manufacturer shall be consulted for a suitable gasket recommendation. Jay R. Smith assumes no liability for connections to fixtures which do not conform to these standards.

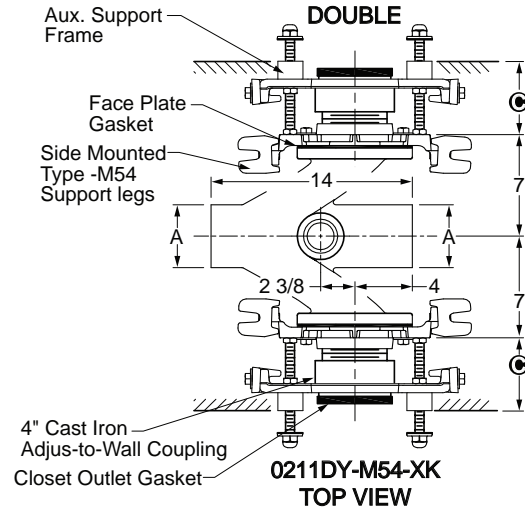
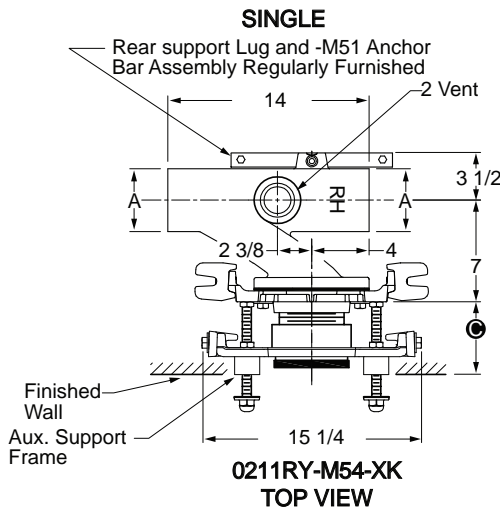
OUTLET TYPE	FIGURE NO.	TYPE OF FITTING	A PIPE SIZE †04"	D MIN	D MAX
NO-HUB	0211LY-M54	Single-Left Hand	783.00	5/8"	3 3/8"
	0211RY-M54	Single-Right Hand	783.00	5/8"	3 3/8"
	0211DY-M54	Double	1,354.00	5/8"	3 3/8"
	0221LY-M54	Single-Left Hand Long Barrel	1,210.00	5/8"	3 3/8"
	0221RY-M54	Single-Right Hand Long Barrel	1,210.00	5/8"	3"
	0221DY-M54	Double Long Barrel	2,129.00	5/8"	3 3/8"
NO-HUB	0211LY-M58/54	Single-Left Hand	1,235.00	5/8"	3 3/8"
	0211RY-M58/54	Single-Right Hand	1,235.00	5/8"	3 3/8"
	0211DY-M58/54	Double	2,149.00	5/8"	3 3/8"
	0221LY-M58/54	Single-Left Hand Long Barrel	1,638.00	5/8"	3 3/8"
	0221RY-M58/54	Single-Right Hand Long Barrel	1,638.00	5/8"	3 3/8"
	0221DY-M58/54	Double Long Barrel	2,726.00	5/8"	3 3/8"

NOTE: Service weight regularly furnished on fittings above.
NOTE: Always specify fixture manufacturer's model name and number.



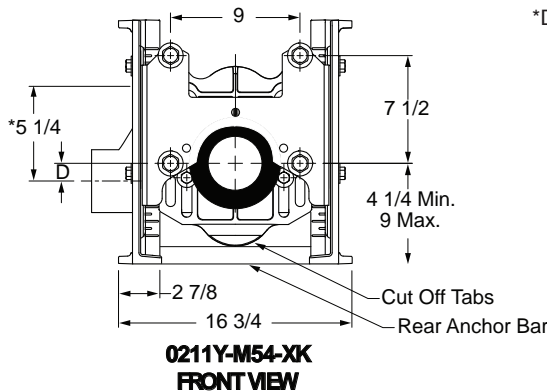
FIXTURE SUPPORTS

FIG. 0211Y-M54-XK, 0221Y-M54-XK HORIZONTAL FITTINGS FOR SIPHON JET WATER CLOSETS BARIATRIC DUTY - 1000 LBS.



© dimension = 4 1/4" to 5 1/4" with regularly furnished 4 1/2" cast iron nipple and Adjus-to-Wall coupling.

*Dimension is from centerline of barrel to top of vent.



NOTE: Base support must be securely anchored to floor with 1/2" anchors able to withstand a pull-out force of 500 lbs. The rear anchor bar must be securely anchored to floor with 1/2" anchors able to withstand a pull-out force of 1000 lbs. Pull-out forces are calculated values, no safety factor has been applied.

OUTLET TYPE	FIGURE NO.	TYPE OF FITTING	A PIPE SIZE †04"	D		APPROX. WT. LBS.
				MIN	MAX	
NO-HUB	0211LY-M54-XK	Single-Left Hand	1,551.00	5/8"	3 3/8"	55
	0211RY-M54-XK	Single-Right Hand	1,551.00	5/8"	3 3/8"	55
	0211DY-M54-XK	Double	2,820.00	5/8"	3 3/8"	100
	0221LY-M54-XK	Single-Left Hand Long Barrel	1,900.00	5/8"	3 1/8"	74
	0221RY-M54-XK	Single-Right Hand Long Barrel	1,900.00	5/8"	3 1/8"	74
	0221DY-M54-XK	Double Long Barrel	3,432.00	5/8"	3 1/8"	119

Jay R. Smith 0211Y or 0221Y-M54-XK complies with and/or exceeds all requirements of ASME A112.6.1M up to 1000 lbs.

NOTE: Service weight regularly furnished on fittings above.
NOTE: Always specify fixture manufacturer's model name and number.

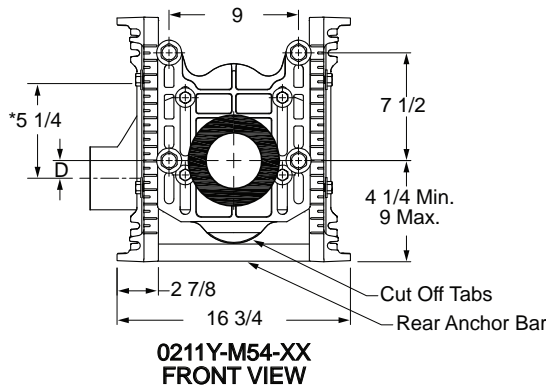
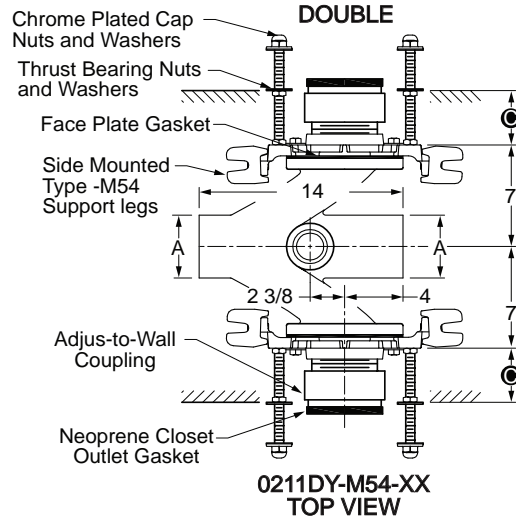
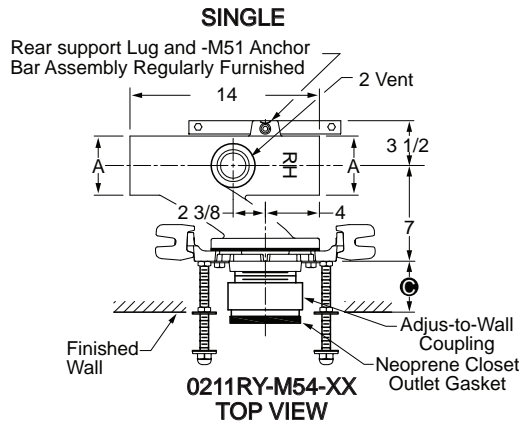


FIXTURE SUPPORTS

FIG. 0211Y-M54-XX, 0221Y-M54-XX HORIZONTAL FITTINGS FOR SIPHON JET WATER CLOSETS EXTRA HEAVY DUTY - 750 LBS.



FIXTURE SUPPORTS



© dimension = 4" (regularly furnished) consisting of nipple and Adjus-to-Wall coupling permitting adjustment from 3" min. to 4" max. Longer nipples are available, specify © dimension.

NOTE: Base support must be securely anchored to floor with 1/2" anchors able to withstand a pull-out force of 500 lbs. The rear anchor bar must be securely anchored to floor with 1/2" anchors able to withstand a pull-out force of 1000 lbs. Pull-out forces are calculated values, no safety factor has been applied.

*Dimension to top of vent.

OUTLET TYPE	FIGURE NO.	TYPE OF FITTING	A PIPE SIZE †04"	D	
				MIN	MAX
NO-HUB	0211LY-M54-XX	Single-Left Hand	1,421.00	5/8"	3 3/8"
	0211RY-M54-XX	Single-Right Hand	1,421.00	5/8"	3 3/8"
	0211DY-M54-XX	Double	2,585.00	5/8"	3 3/8"
	0221LY-M54-XX	Single-Left Hand Long Barrel	1,770.00	5/8"	3 1/8"
	0221RY-M54-XX	Single-Right Hand Long Barrel	1,770.00	5/8"	3 1/8"
	0221DY-M54-XX	Double Long Barrel	3,197.00	5/8"	3 1/8"

Jay R. Smith 0211Y or 0221Y-M54-XX complies with and/or exceeds all requirements of ASME A112.6.1M up to 750 lbs.

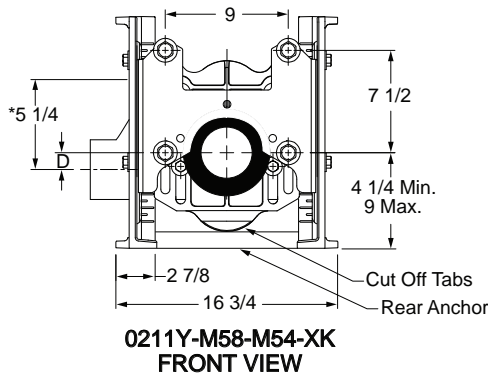
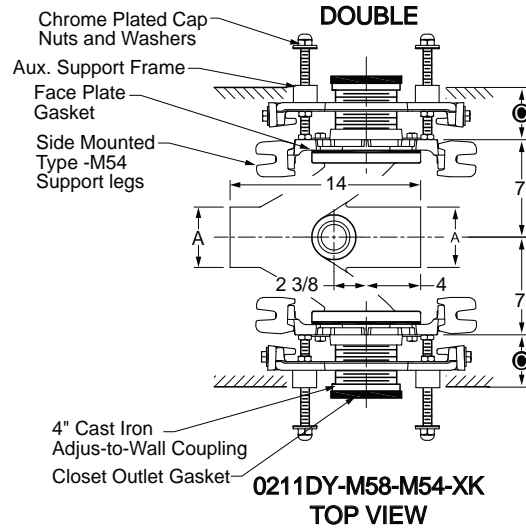
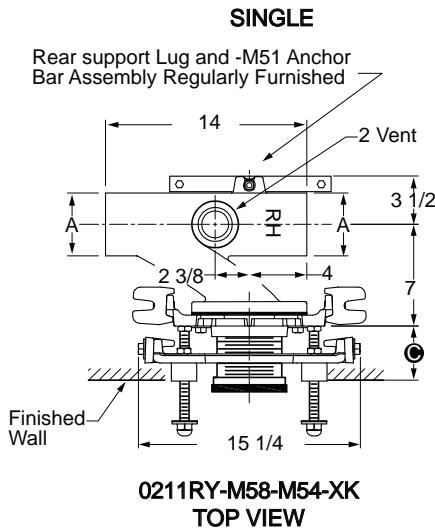
NOTE: Service weight regularly furnished on fittings above.
NOTE: Always specify fixture manufacturer's model name and number.

†REGULARLY FURNISHED



FIXTURE SUPPORTS

FIG. 0211Y-M58/54-XK, 0221Y-M58/54-XK HORIZONTAL FITTINGS FOR SIPHON JET WATER CLOSETS BARIATRIC DUTY - 1000 LBS.



© dimension = 4 1/4" to 4 3/4" with regularly furnished 5 1/4" cast iron nipple and Adjus-to-Wall coupling.

*Dimension is from centerline of barrel to top of vent.

NOTE: Base support must be securely anchored to floor with 1/2" anchors able to withstand a pull-out force of 500 lbs. The rear anchor bar must be securely anchored to floor with 1/2" anchors able to withstand a pull-out force of 1000 lbs. Pull-out forces are calculated values, no safety factor has been applied.

OUTLET TYPE	FIGURE NO.	TYPE OF FITTING	A PIPE SIZE †04"	D	
				MIN	MAX
NO-HUB	0211LY-M58/54-XK	Single-Left Hand	1,551.00	5/8"	3 3/8"
	0211RY-M58/54-XK	Single-Right Hand	1,551.00	5/8"	3 3/8"
	0211DY-M58/54-XK	Double	2,820.00	5/8"	3 3/8"
	0221LY-M58/54-XK	Single-Left Hand Long Barrel	1,900.00	5/8"	3 1/8"
	0221RY-M58/54-XK	Single-Right Hand Long Barrel	1,900.00	5/8"	3 1/8"
	0221DY-M58/54-XK	Double Long Barrel	3,432.00	5/8"	3 1/8"

Jay R. Smith 0211Y or 0221Y-M58/54-XK complies with and/or exceeds all requirements of ASME A112.6.1M up to 1000 lbs.

NOTE: Service weight regularly furnished on fittings above.
NOTE: Always specify fixture manufacturer's model name and number.

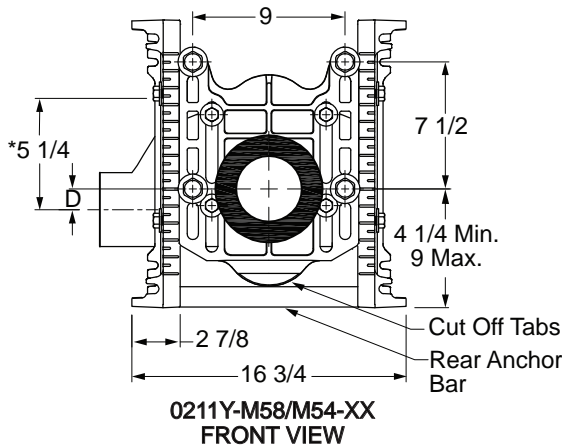
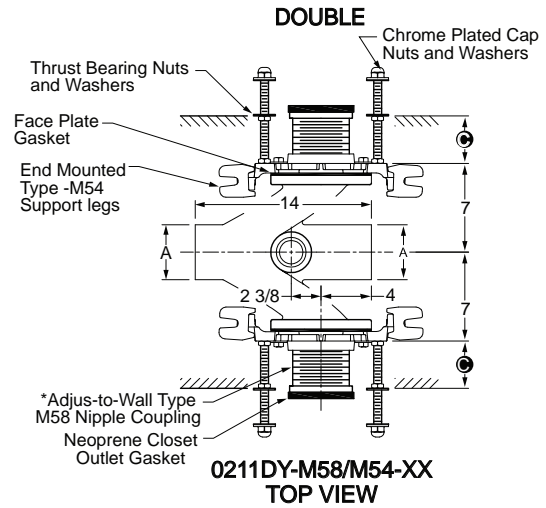
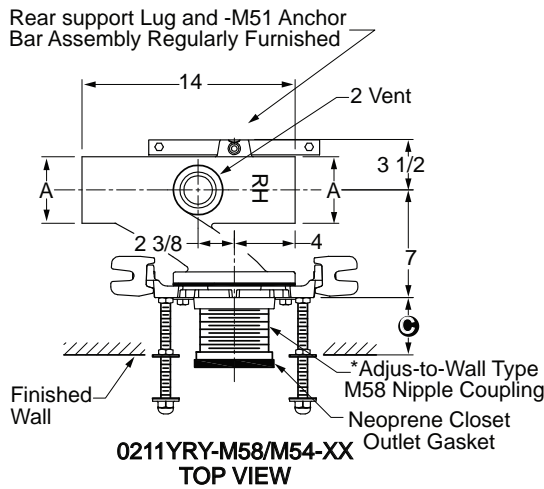


FIXTURE SUPPORTS

FIG. 0211Y-M58/54-XX, 0221Y-M58/54-XX HORIZONTAL FITTINGS FOR SIPHON JET WATER CLOSETS EXTRA HEAVY DUTY - 750 LBS.



FIXTURE SUPPORTS



© dimension = 4" (regularly furnished) consisting of nipple and Adjus-to-Wall coupling permitting adjustment from 3" min. to 4" max.

NOTE: Base support must be securely anchored to floor with 1/2" anchors able to withstand a pull-out force of 500 lbs. The rear anchor bar must be securely anchored to floor with 1/2" anchors able to withstand a pull-out force of 1000 lbs. Pull-out forces are calculated values, no safety factor has been applied.

NOTE: When nipple lengths between 3 1/4" and 9 3/4" are specified, the 10" nipple will be supplied. The threaded end of nipple must be cut to specified length by others.

OUTLET TYPE	FIGURE NO.	TYPE OF FITTING	A PIPE SIZE †04"	D	
				MIN	MAX
NO-HUB	0211LY-M58/54-XX	Single-Left Hand	1,421.00	5/8"	3 3/8"
	0211RY-M58/54-XX	Single-Right Hand	1,421.00	5/8"	3 3/8"
	0211DY-M58/54-XX	Double	2,585.00	5/8"	3 3/8"
	0221LY-M58/54-XX	Single-Left Hand Long Barrel	1,770.00	5/8"	3 1/8"
	0221RY-M58/54-XX	Single-Right Hand Long Barrel	1,770.00	5/8"	3 1/8"
	0221DY-M58/54-XX	Double Long Barrel	3,197.00	5/8"	3 1/8"

LENGTH	MIN	©	MAX
10	8 3/4"		9 3/4"

Jay R. Smith 0211Y or 0221Y-M58/54-XX complies with and/or exceeds all requirements of ASME A112.6.1M up to 750 lbs.

NOTE: Service weight regularly furnished on fittings above.
NOTE: Always specify fixture manufacturer's model name and number.



FIXTURE SUPPORTS

FIG. 0230, 0260 VERTICAL FITTINGS FOR SIPHON JET WATER CLOSETS - SHALLOW ROUGH-IN TYPE

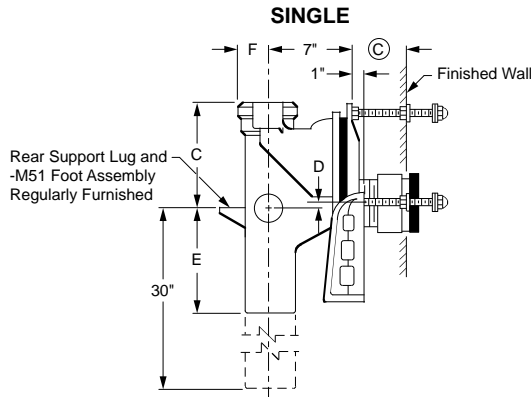
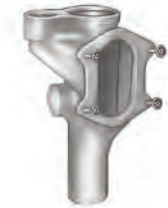


Fig. 0230
Side View

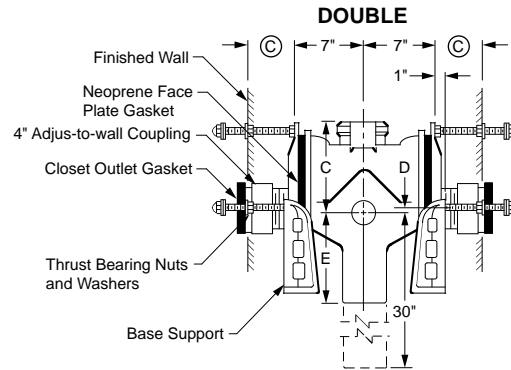


Fig. 0230D
Side View

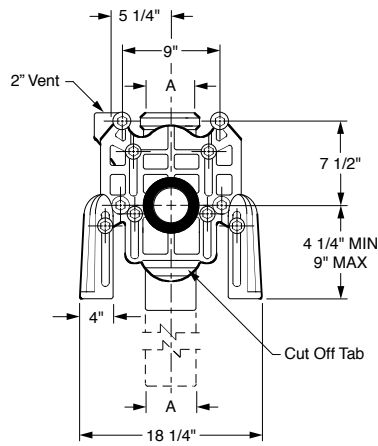


Fig. 0230
Front View

NOTE: Base support must be securely anchored to floor (with four 1/2" bolts provided by contractor).

NOTE: 1 1/2" or 2" NPT Inlet available. Add suffix -N.

© dimension = 4" (regularly furnished) consisting of nipple and Adjus-to-Wall coupling permitting adjustment from 3" min. to 4" max.

The water closet gasket regularly furnished is made of molded neoprene and designed to fit water closet outlet dimensions and configurations shown in ANSI Standard A112.19.2M, Figure 13B. If gasket is not found to be compatible to fixture due to nonconformance of said fixture to ANSI A112.19.2M, then fixture manufacturer shall be consulted for a suitable gasket recommendation. Jay R. Smith assumes no liability for connections to fixtures which do not conform to these standards.

OUTLET TYPE	FIGURE NO.	TYPE OF FITTING	A PIPE SIZE			C	D		E	F	APPROX. WT. LBS.
			†04"	05"	06"		MIN	MAX			
CAULK	0230	Single	1,228.00			9"	1 1/2"	4 1/4"	10"	3"	98
	0230D	Double	2,132.00			9"	1 1/2"	4 1/4"	10"	3"	135
	0230	Single		1,482.00		11 1/2"	1 1/2"	4 1/4"	11 1/2"	3 1/2"	98
	0230D	Double		2,344.00		11 1/2"	1 1/2"	4 1/4"	11 1/2"	3 1/2"	135
	0230	Single			1,786.00	11 1/2"	1 1/2"	4 1/4"	11 1/2"	4"	98
	0230D	Double			2,695.00	11 1/2"	1 1/2"	4 1/4"	11 1/2"	4"	135
			†04" X 04"	05" X 04" OR 05"	06" X 04"						
CAULK	0260	Single Long Barrel	1,630.00			9"	1 1/2"	4 1/4"	10"	3"	117
	0260D	Double Long Barrel	2,426.00			9"	1 1/2"	4 1/4"	10"	3"	154
	0260	Single Long Barrel		3,014.00		11 1/2"	1 1/2"	4 1/4"	11 1/2"	3 1/2"	117
	0260D	Double Long Barrel		3,819.00		11 1/2"	1 1/2"	4 1/4"	11 1/2"	3 1/2"	154
	0260	Single Long Barrel			3,541.00	11 1/2"	1 1/2"	4 1/4"	11 1/2"	4"	117
	0260D	Double Long Barrel			4,336.00	11 1/2"	1 1/2"	4 1/4"	11 1/2"	4"	154

NOTE: Service weight regularly furnished on fittings above.
NOTE: Always specify fixture manufacturer's model name and number.



FIXTURE SUPPORTS

FIG. 0230Y VERTICAL FITTINGS FOR SIPHON JET WATER CLOSETS - SHALLOW ROUGH-IN TYPE



FIXTURE SUPPORTS

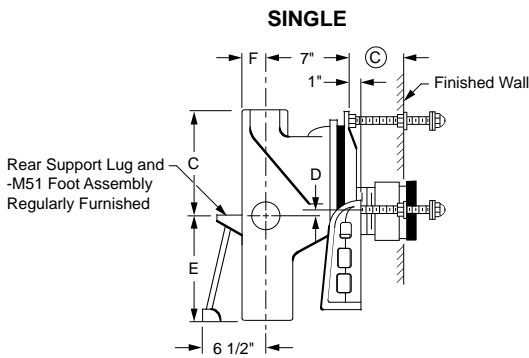


Fig. 0230Y
Side View

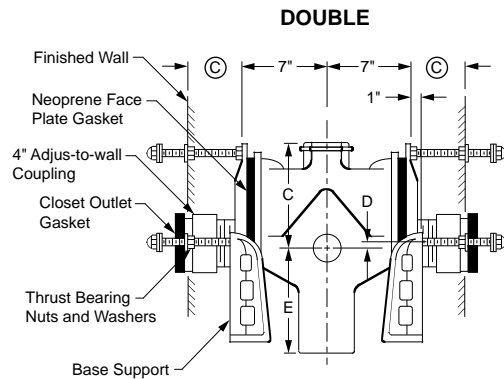


Fig. 0230DY
Side View

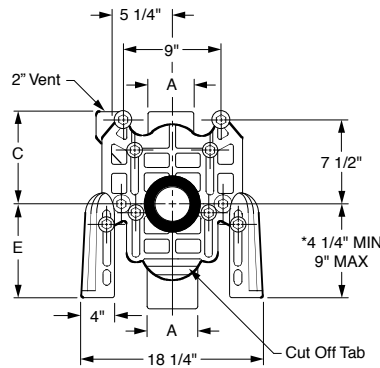


Fig. 0230Y
Front View

NOTE: Base support must be securely anchored to floor (with four 1/2" bolts provided by contractor.)

NOTE: 1 1/2" or 2" tapped inlet available.

***NOTE:** 9" core drilled hole is required for rough-in 4 1/4" thru 6 1/2".

NOTE: © dimension = 4" (regularly furnished) consisting of nipple and Adjus-to-Wall coupling permitting adjustment from 3" min. to 4" max.

OUTLET TYPE	FIGURE NO.	TYPE OF FITTING	A PIPE SIZE			C	D		E	F	APPROX. WT. LBS.
			†04"	05"	06"		MIN	MAX			
NO-HUB	0230Y	Single	1,116.00			9"	1 1/2"	4 1/4"	14"	2 1/4"	76
	0230DY	Double	1,777.00			9"	1 1/2"	4 1/4"	14"	2 1/4"	122
	0230Y	Single		1,284.00		11 1/2"	1 1/2"	4 1/4"	11 1/2"	2 3/4"	76
	0230DY	Double		2,046.00		11 1/2"	1 1/2"	4 1/4"	11 1/2"	2 3/4"	122
	0230Y	Single			1,476.00	11 1/2"	1 1/2"	4 1/4"	11 1/2"	3 1/4"	76
	0230DY	Double			2,352.00	11 1/2"	1 1/2"	4 1/4"	11 1/2"	3 1/4"	122

The water closet gasket regularly furnished is made of molded neoprene and designed to fit water closet outlet dimensions and configurations shown in ANSI Standard A112.19.2M, Figure 13B. If gasket is not found to be compatible to fixture due to nonconformance of said fixture to ANSI A112.19.2M, then fixture manufacturer shall be consulted for a suitable gasket recommendation. Jay R. Smith assumes no liability for connections to fixtures which do not conform to these standards.

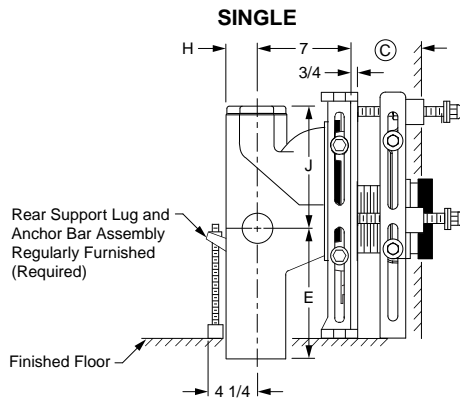
NOTE: Service weight regularly furnished on fittings above.
NOTE: Always specify fixture manufacturer's model name and number.

†REGULARLY FURNISHED

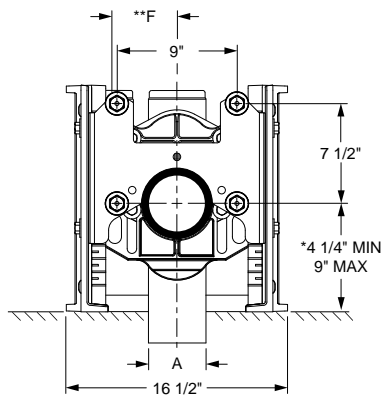


FIXTURE SUPPORTS

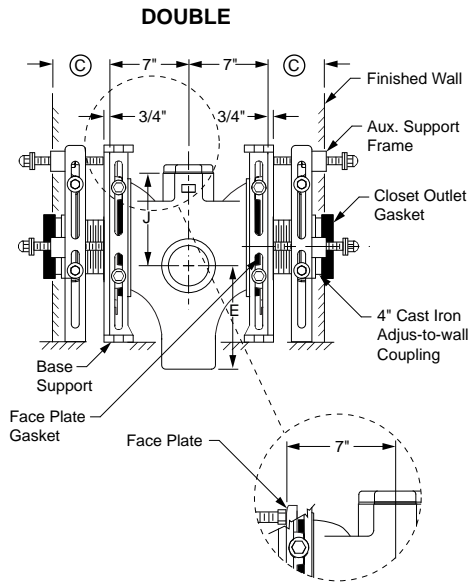
FIG. 0230Y-M54-XK VERTICAL FITTINGS FOR SIPHON JET WATER CLOSETS BARIATRIC DUTY - 1000 LBS.



**Fig. 0230Y-M54-XK
Side View**



**Fig. 0230Y-M54-XK
Front View**



**Fig. 0240DY-M54-XK
Side View**

* **NOTE:** 9" core drilled hole is required for rough-in 4 1/4 thru 6 1/2.
 ** **NOTE:** Dimension is from centerline of vent to centerline of stack.
NOTE: 1 1/2" or 2" NPT Inlet available. Add suffix -N.

© dimension = 4" (regularly furnished) consisting of cast iron nipple and Adjust-to-Wall coupling permitting adjustment from 3" min. to 4" max.

OUTLET TYPE	FIGURE NO.	TYPE OF FITTING	A PIPE SIZE			E	**F	H	J
			†04"	05"	06"				
NO-HUB	0230Y-M54-XK	Single	3,624.00			14"	5 1/4"	2 1/4"	9"
	0230DY-M54-XK	Double	6,996.00			14"	5 1/4"	2 1/4"	9"
	0230Y-M54-XK	Single		3,806.00		11 1/2"	6 1/4"	2 3/4"	11 1/2"
	0230DY-M54-XK	Double		7,728.00		11 1/2"	6 1/4"	2 3/4"	11 1/2"
	0230Y-M54-XK	Single			3,984.00	11 1/2"	6 1/4"	3 1/4"	11 1/2"
	0230DY-M54-XK	Double			8,459.00	11 1/2"	6 1/4"	3 1/4"	11 1/2"

NOTE: Base support must be securely anchored to floor with 1/2" anchors able to withstand a pull-out force of 500 lbs. The rear anchor bar must be securely anchored to floor with 1/2" anchors able to withstand a pull-out force of 1000 lbs. Pull-out forces are calculated values, no safety factor has been applied.

Jay R. Smith 0230Y-M54-XK complies with and/or exceeds all requirements of ASME A112.6.1M up to 1000 lbs.

NOTE: Service weight regularly furnished on fittings above.
NOTE: Always specify fixture manufacturer's model name and number.



FIXTURE SUPPORTS

FIG. 0230Y-M54-XX VERTICAL FITTINGS FOR SIPHON JET WATER CLOSETS EXTRA HEAVY DUTY - 750 LBS.

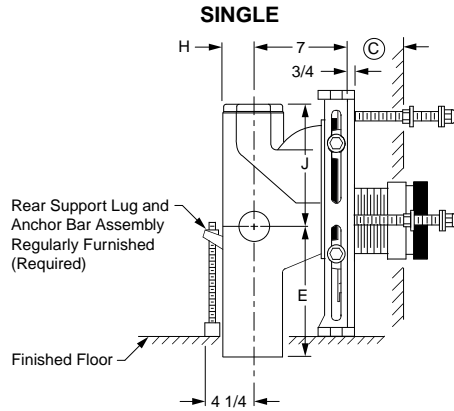


Fig. 0230Y-M54-XX Side View

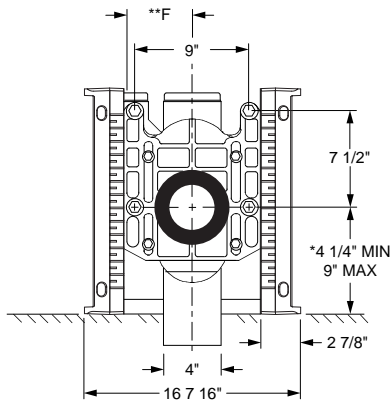


Fig. 0230Y-M54-XX Front View

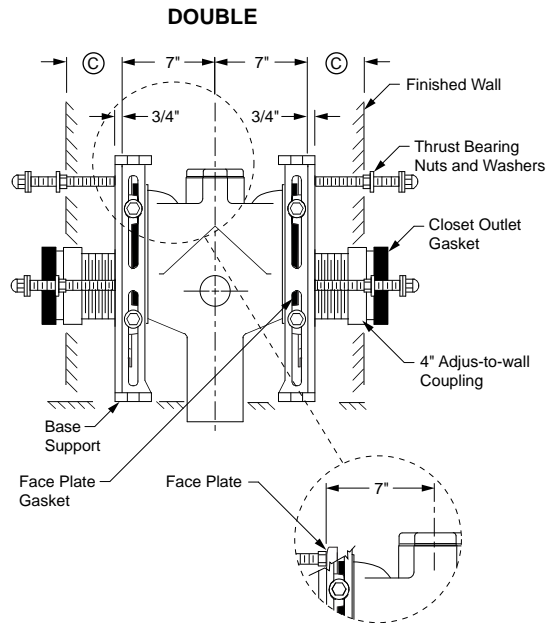


Fig. 0230DY-M54-XX Side View

* **NOTE:** 9" core drilled hole is required for rough-in 4 1/4 thru 6 1/2.
 ** **NOTE:** Dimension is from centerline of vent to centerline of stack.
NOTE: 1 1/2" or 2" NPT Inlet available. Add suffix -N.

© dimension = 4" (regularly furnished) consisting of nipple and Adjus-to-Wall coupling permitting adjustment from 3" min. to 4" max.

NOTE: Base support must be securely anchored to floor with 1/2" anchors able to withstand a pull-out force of 500 lbs. The rear anchor bar must be securely anchored to floor with 1/2" anchors able to withstand a pull-out force of 1000 lbs. Pull-out forces are calculated values, no safety factor has been applied.

OUTLET TYPE	FIGURE NO.	TYPE OF FITTING	A PIPE SIZE			E	**F	H	J
			†04"	05"	06"				
NO-HUB	0230Y-M54-XX	Single	2,633.00			14"	5 1/4"	2 1/4"	9"
	0230DY-M54-XX	Double	5,083.00			14"	5 1/4"	2 1/4"	9"
	0230Y-M54-XX	Single		3,232.00		11 1/2"	6 1/4"	2 3/4"	11 1/2"
	0230DY-M54-XX	Double		6,237.00		11 1/2"	6 1/4"	2 3/4"	11 1/2"
	0230Y-M54-XX	Single			3,830.00	11 1/2"	6 1/4"	3 1/4"	11 1/2"
	0230DY-M54-XX	Double			7,391.00	11 1/2"	6 1/4"	3 1/4"	11 1/2"

Jay R. Smith 0230Y-M54-XX complies with and/or exceeds all requirements of ASME A112.6.1M up to 750 lbs.

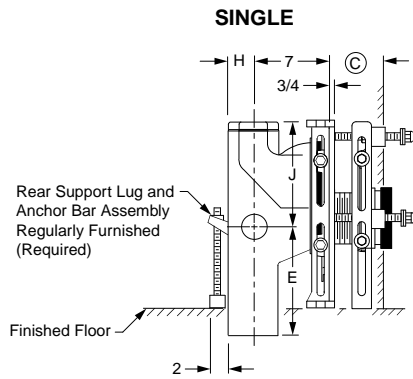
NOTE: Service weight regularly furnished on fittings above.
NOTE: Always specify fixture manufacturer's model name and number.

†REGULARLY FURNISHED

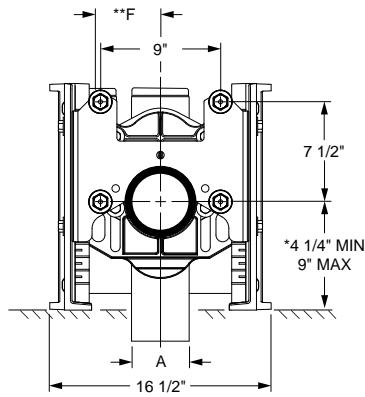


FIXTURE SUPPORTS

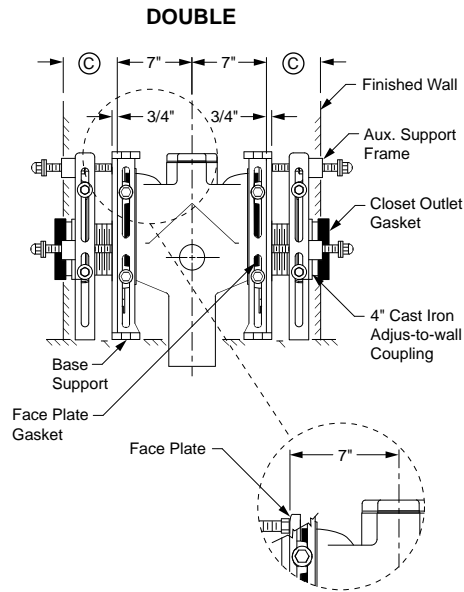
FIG. 0230Y-M58/54-XK VERTICAL FITTINGS FOR SIPHON JET WATER CLOSETS BARIATRIC DUTY - 1000 LBS.



**Fig. 0230Y-M58-M54-XK
Side View**



**Fig. 0230Y-M58-M54-XK
Front View**



**Fig. 0230DY-M58-M54-XK
Side View**

- * **NOTE:** 9" core drilled hole is required for rough-in 4 1/4 thru 6 1/2.
- ** **NOTE:** "F" Dimension is from centerline of vent to centerline of stack.
- NOTE:** When used with concealed flush valve locate face plate behind supply pipe.
- NOTE:** Shallower minimum rough-in dimension available to accommodate lower rough bowls. Specify dimension required.
- NOTE:** 1 1/2" or 2" NPT Inlet available. Add suffix -N.

OUTLET TYPE	FIGURE NO.	TYPE OF FITTING	A PIPE SIZE			E	**F	H	J
			†04"	05"	06"				
NO-HUB	0230Y-M58/54-XK	Single	3,624.00			14"	5 1/4"	2 1/4"	9"
	0230DY-M58/54-XK	Double	6,996.00			14"	5 1/4"	2 1/4"	9"
	0230Y-M58/54-XK	Single		3,804.00		11 1/2"	6 1/4"	2 3/4"	11 1/2"
	0230DY-M58/54-XK	Double		7,728.00		11 1/2"	6 1/4"	2 3/4"	11 1/2"
	0230Y-M58/54-XK	Single			3,984.00	11 1/2"	6 1/4"	3 1/4"	11 1/2"
	0230DY-M58/54-XK	Double			8,459.00	11 1/2"	6 1/4"	3 1/4"	11 1/2"

NOTE: Base support must be securely anchored to floor with 1/2" anchors able to withstand a pull-out force of 500 lbs. The rear anchor bar must be securely anchored to floor with 1/2" anchors able to withstand a pull-out force of 1000 lbs. Pull-out forces are calculated values, no safety factor has been applied.

LENGTH	MIN	©	MAX
5 1/4"	4 1/4"		4 3/4"

Jay R. Smith 0230Y-M58-M54-XK complies with and/or exceeds all requirements of ASME A112.6.1M up to 1000 lbs.

NOTE: Service weight regularly furnished on fittings above.
NOTE: Always specify fixture manufacturer's model name and number.

†REGULARLY FURNISHED



FIXTURE SUPPORTS

FIG. 0230Y-M58/54-XX VERTICAL FITTINGS FOR SIPHON JET WATER CLOSETS EXTRA HEAVY DUTY - 750 LBS.



FIXTURE SUPPORTS

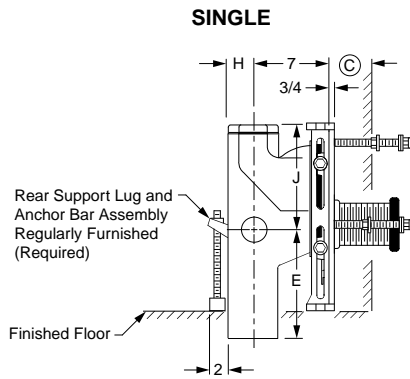


Fig. 0230Y-M58-M54-XX
Side View

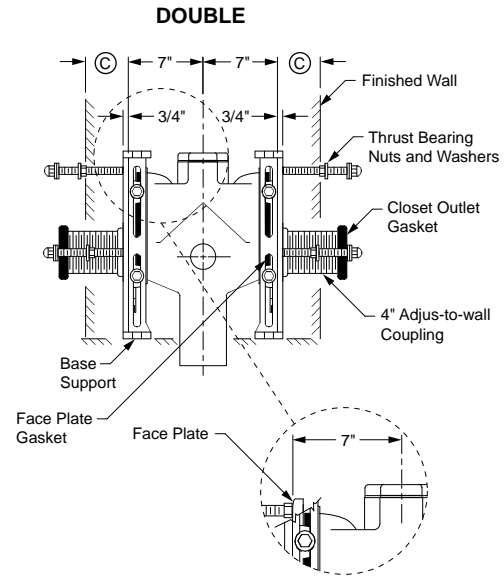


Fig. 0230DY-M58-M54-XX
Side View

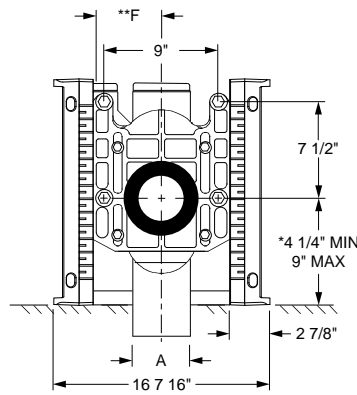


Fig. 0230Y-M58-M54-XX
Front View

* **NOTE:** 9" core drilled hole is required for rough-in 4 1/4 thru 6 1/2.

** **NOTE:** "F" Dimension is from centerline of vent to centerline of stack.
NOTE: When used with concealed flush valve locate face plate behind supply pipe.

NOTE: Shallower minimum rough-in dimension available to accommodate lower rough bowls. Specify dimension required.

NOTE: 1 1/2" or 2" NPT Inlet available. Add suffix -N.

OUTLET TYPE	FIGURE NO.	TYPE OF FITTING	A PIPE SIZE			E	**F	H	J
			†04"	05"	06"				
NO-HUB	0230Y-M58/54-XX	Single	2,633.00			14"	5 1/4"	2 1/4"	9"
	0230DY-M58/54-XX	Double	5,083.00			14"	5 1/4"	2 1/4"	9"
	0230Y-M58/54-XX	Single		3,232.00		11 1/2"	6 1/4"	2 3/4"	11 1/2"
	0230DY-M58/54-XX	Double		6,237.00		11 1/2"	6 1/4"	2 3/4"	11 1/2"
	0230Y-M58/54-XX	Single			3,830.00	11 1/2"	6 1/4"	3 1/4"	11 1/2"
	0230DY-M58/54-XX	Double			7,391.00	11 1/2"	6 1/4"	3 1/4"	11 1/2"

NOTE: Base support must be securely anchored to floor with 1/2" anchors able to withstand a pull-out force of 500 lbs. The rear anchor bar must be securely anchored to floor with 1/2" anchors able to withstand a pull-out force of 1000 lbs. Pull-out forces are calculated values, no safety factor has been applied.

LENGTH	MIN	©	MAX
10	8 3/4"		9 3/4"

Jay R. Smith 0230Y-M58-M54-XX complies with and/or exceeds all requirements of ASME A112.6.1M up to 750 lbs.

NOTE: Service weight regularly furnished on fittings above.
NOTE: Always specify fixture manufacturer's model name and number.

†REGULARLY FURNISHED



FIXTURE SUPPORTS

FIG. 0240, 0250, 0270, 0280 SERIES VERTICAL FITTINGS FOR SIPHON JET WATER CLOSETS WITH SIDE INLETS

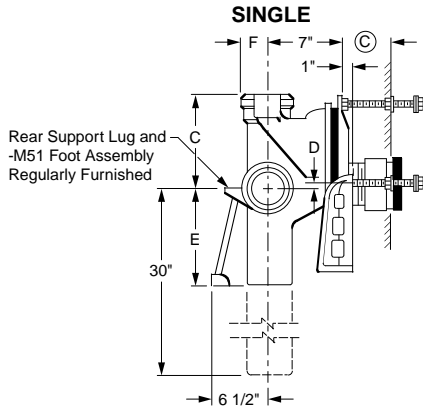


Fig. 0240
Side View

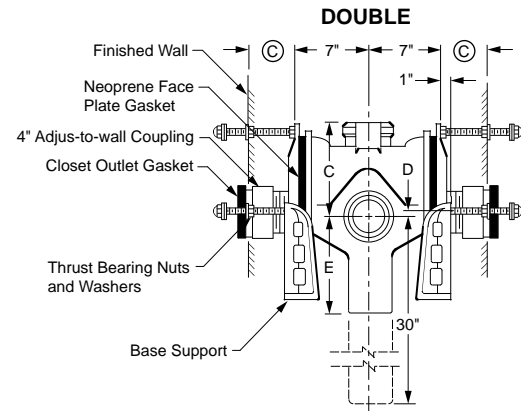


Fig. 0240D
Side View

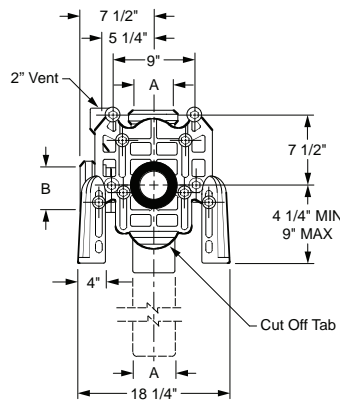


Fig. 0240
Front View

NOTE: Base support must be securely anchored to floor (with four 1/2" bolts provided by contractor).

NOTE: 1 1/2 or 2" NPT inlet available. Add suffix -N

NOTE: © dimension = 4" (regularly furnished) consisting of nipple and Adjus-to-Wall coupling permitting adjustment from 3" min. to 4" max.

The water closet gasket regularly furnished is made of molded neoprene and designed to fit water closet outlet dimensions and configurations shown in ANSI Standard A112.19.2M, Figure 13B. If gasket is not found to be compatible to fixture due to nonconformance of said fixture to ANSI A112.19.2M, then fixture manufacturer shall be consulted for a suitable gasket recommendation. Jay R. Smith assumes no liability for connections to fixtures which do not conform to these standards.

OUTLET TYPE	FIGURE NO.	TYPE OF FITTING	A X B SIZE			C	D		E	F	APPROX. WT. LBS.
			†04" X 04"	05" X 04" OR 05"	06" X 04"		MIN	MAX			
CAULK	0240L	Single-Left Hand with Side Hub Inlet	1,368.00			9"	1 1/2"	4 1/4"	10"	3"	87
	0240R	Single-Right Hand with Side Hub Inlet	1,368.00			9"	1 1/2"	4 1/4"	10"	3"	87
	0240D	Double-with Side Hub Inlet	2,126.00			9"	1 1/2"	4 1/4"	10"	3"	139
	0240L	Single-Left Hand with Side Hub Inlet		1,548.00		11 1/2"	1 1/2"	4 1/4"	11 1/2"	3 1/2"	87
	0240R	Single-Right Hand with Side Hub Inlet		1,548.00		11 1/2"	1 1/2"	4 1/4"	11 1/2"	3 1/2"	87
	0240D	Double-with Side Hub Inlet		2,290.00		11 1/2"	1 1/2"	4 1/4"	11 1/2"	3 1/2"	139
	0240L	Single-Left Hand with Side Hub Inlet			1,727.00	11 1/2"	1 1/2"	4 1/4"	11 1/2"	4"	87
	0240D	Double-with Side Hub Inlet			2,454.00	11 1/2"	1 1/2"	4 1/4"	11 1/2"	4"	139
	0250	Single-with Two Side Hub Inlets	1,485.00			9"	1 1/2"	4 1/4"	10"	3"	100
	0250D	Double-with Two Side Hub Inlets	2,160.00			9"	1 1/2"	4 1/4"	10"	3"	144
	0250	Single-with Two Side Hub Inlets		1,683.00		11 1/2"	1 1/2"	4 1/4"	11 1/2"	3 1/2"	100
	0250D	Double-with Two Side Hub Inlets		2,386.00		11 1/2"	1 1/2"	4 1/4"	11 1/2"	3 1/2"	144
	0250	Single-with Two Side Hub Inlets			1,880.00	11 1/2"	1 1/2"	4 1/4"	11 1/2"	4"	100
	0250D	Double-with Two Side Hub Inlets			2,612.00	11 1/2"	1 1/2"	4 1/4"	11 1/2"	4"	144
	0270L	Single-Left Hand with Side Hub Inlet-Long Barrel	1,808.00			9"	1 1/2"	4 1/4"	10"	3"	116
	0270R	Single-Right Hand with Side Hub Inlet-Long Barrel	1,808.00			9"	1 1/2"	4 1/4"	10"	3"	116
	0270D	Double-with Side Hub Inlet-Long Barrel	2,600.00			9"	1 1/2"	4 1/4"	10"	3"	158
	0270L	Single-Left Hand with Side Hub Inlet-Long Barrel		3,199.00		11 1/2"	1 1/2"	4 1/4"	11 1/2"	3 1/2"	116
	0270R	Single-Right Hand with Side Hub Inlet-Long Barrel		3,199.00		11 1/2"	1 1/2"	4 1/4"	11 1/2"	3 1/2"	116
	0270D	Double-with Side Hub Inlet-Long Barrel		3,997.00		11 1/2"	1 1/2"	4 1/4"	11 1/2"	3 1/2"	158
	0270L	Single-Left Hand with Side Hub Inlet-Long Barrel			3,717.00	11 1/2"	1 1/2"	4 1/4"	11 1/2"	4"	116
	0270D	Double-with Side Hub Inlet-Long Barrel			4,514.00	11 1/2"	1 1/2"	4 1/4"	11 1/2"	4"	158
	0280	Single-with Two Side Hub Inlets-Long Barrel	1,985.00			9"	1 1/2"	4 1/4"	10"	3"	119
	0280D	Double-with Two Side Hub Inlets-Long Barrel	2,778.00			9"	1 1/2"	4 1/4"	10"	3"	163
	0280	Single-with Two Side Hub Inlets-Long Barrel		3,376.00		11 1/2"	1 1/2"	4 1/4"	11 1/2"	3 1/2"	119
	0280D	Double-with Two Side Hub Inlets-Long Barrel		4,175.00		11 1/2"	1 1/2"	4 1/4"	11 1/2"	3 1/2"	163
	0280	Single-with Two Side Hub Inlets-Long Barrel			3,893.00	11 1/2"	1 1/2"	4 1/4"	11 1/2"	4"	119
	0280D	Double-with Two Side Hub Inlets-Long Barrel			4,691.00	11 1/2"	1 1/2"	4 1/4"	11 1/2"	4"	163

NOTE: Service weight regularly furnished on fittings above.
NOTE: Always specify fixture manufacturer's model name and number.



FIXTURE SUPPORTS

FIG. 0240Y, 0250Y SERIES VERTICAL FITTINGS FOR SIPHON JET WATER CLOSETS WITH SIDE INLETS



FIXTURE SUPPORTS

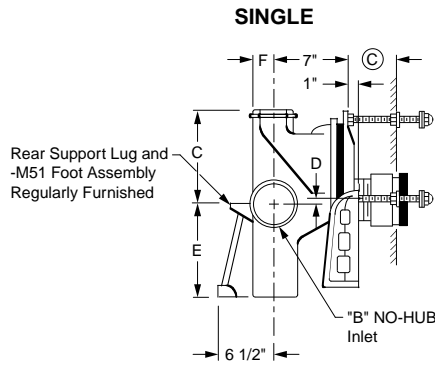


Fig. 0240Y
Side View

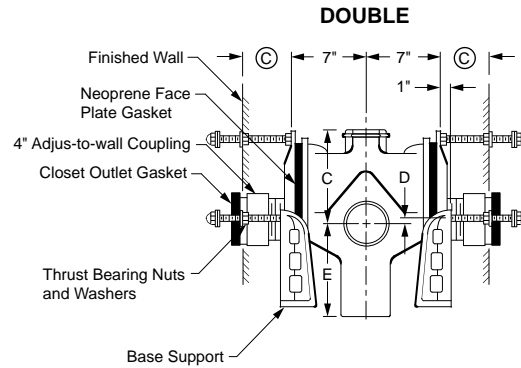


Fig. 0240DY
Side View

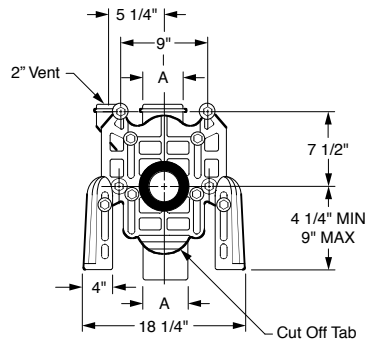


Fig. 0240Y
Front View

NOTE: Base support must be securely anchored to floor (with four 1/2" bolts provided by contractor).

NOTE: Centerline of stack to end of NO-HUB side inlet in 5"

***NOTE:** 9" core drilled hole is required for rough-in 4 1/4 thru 6 1/2 .

The water closet gasket regularly furnished is made of molded neoprene and designed to fit water closet outlet dimensions and configurations shown in ANSI Standard A112.19.2M, Figure 13B. If gasket is not found to be compatible to fixture due to nonconformance of said fixture to ANSI A112.19.2M, then fixture manufacturer shall be consulted for a suitable gasket recommendation. Jay R. Smith assumes no liability for connections to fixtures which do not conform to these standards.

© dimension = 4" (regularly furnished) consisting of nipple and Adjus-to-Wall coupling permitting adjustment from 3" min. to 4" max.

OUTLET TYPE	FIGURE NO.	TYPE OF FITTING	A X B SIZE			C	D		E	F	APPROX. WT. LBS.
			†04" X 04"	‡05" X 04" OR 05"	06" X 04"		MIN	MAX			
NO-HUB	0240LY	Single-Left Hand with Side Inlet	1,243.00			9"	1 1/2"	4 1/4"	14"	2 1/4"	76
	0240RY	Single-Right Hand with Side Inlet	1,243.00			9"	1 1/2"	4 1/4"	14"	2 1/4"	76
	0240DY	Double-with Side Inlet	1,933.00			9"	1 1/2"	4 1/4"	14"	2 1/4"	122
	0240LY	Single-Left Hand with Side Inlet		1,409.00		11 1/2"	1 1/2"	4 1/4"	11 1/2"	2 3/4"	76
	0240RY	Single-Right Hand with Side Inlet		1,409.00		11 1/2"	1 1/2"	4 1/4"	11 1/2"	2 3/4"	76
	0240DY	Double-with Side Inlet		2,137.00		11 1/2"	1 1/2"	4 1/4"	11 1/2"	2 3/4"	122
	0240LY	Single-Left Hand with Side Inlet			1,574.00	11 1/2"	1 1/2"	4 1/4"	11 1/2"	3 1/4"	76
	0240DY	Double-with Side Inlet			2,340.00	11 1/2"	1 1/2"	4 1/4"	11 1/2"	3 1/4"	122
	0250Y	Single-with Two Side Inlets	1,352.00			9"	1 1/2"	4 1/4"	14"	2 1/4"	76
	0250DY	Double-with Two Side Inlets	2,042.00			9"	1 1/2"	4 1/4"	14"	2 1/4"	122
	0250Y	Single-with Two Side Inlets		1,530.00		11 1/2"	1 1/2"	4 1/4"	11 1/2"	2 3/4"	76
	0250DY	Double-with Two Side Inlets		2,257.00		11 1/2"	1 1/2"	4 1/4"	11 1/2"	2 3/4"	122
	0250Y	Single-with Two Side Inlets			1,708.00	11 1/2"	1 1/2"	4 1/4"	11 1/2"	3 1/4"	76
	0250DY	Double-with Two Side Inlets			2,472.00	11 1/2"	1 1/2"	4 1/4"	11 1/2"	3 1/4"	122

NOTE: Service weight regularly furnished on fittings above.
NOTE: Always specify fixture manufacturer's model name and number.



FIXTURE SUPPORTS

FIG. 0240Y-M54-XK VERTICAL FITTINGS FOR SIPHON JET WATER CLOSETS WITH SIDE INLET BARIATRIC DUTY - 1000 LBS.

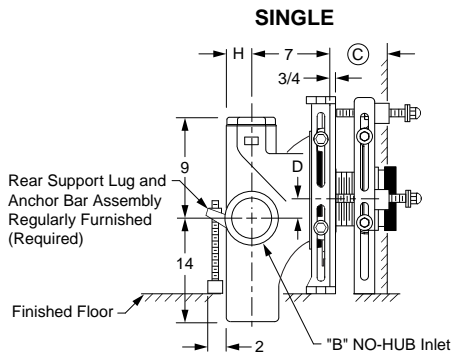


Fig. 0240Y-M54-XK Side View

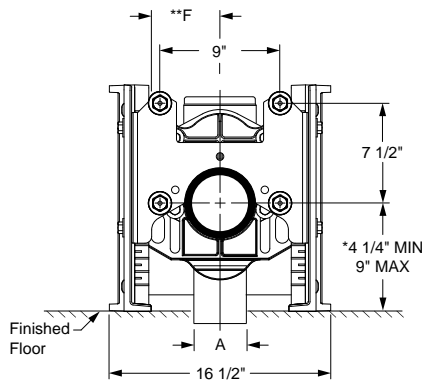


Fig. 0240Y-M54-XK Front View

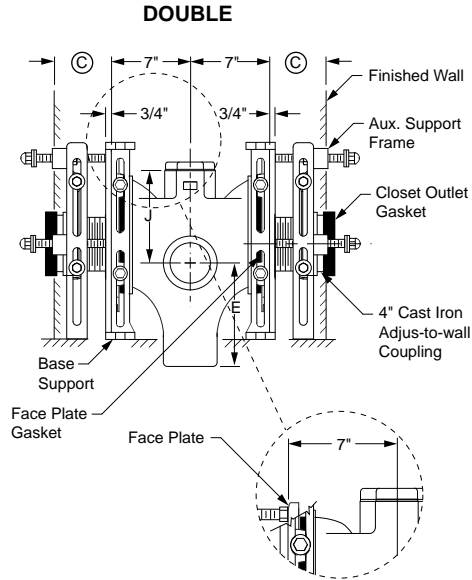


Fig. 0240DY-M54-XK Side View

NOTE: Shallower minimum rough-in dimension to accommodate lower rough bowls available. Specify dimension required.

NOTE: 1 1/2" or 2" tapped inlet available. Add suffix -N.

NOTE: *9" core drilled hole is required for rough-in 4 1/4 thru 6 1/2.

© dimension = 4 1/4" to 5 1/4" with regularly furnished 4 1/2" cast iron nipple and Adjus-to-Wall coupling.

**F dimension is from centerline of vent to centerline of stack.

OUTLET TYPE	FIGURE NO.	TYPE OF FITTING	A X B SIZE			D		E	**F	H	J
			†04" X 04"	05" X 04" OR 05"	06" X 04"	MIN	MAX				
NO-HUB	0240LY-M54-XK	Single-Left Hand with Side Inlet	3,882.00			1 1/2"	4 1/4"	14"	5 1/4"	2 1/4"	9"
	0240RY-M54-XK	Single-Right Hand with Side Inlet	3,882.00			1 1/2"	4 1/4"	14"	5 1/4"	2 1/4"	9"
	0240DY-M54-XK	Double-with Side Inlet	7,254.00			1 1/2"	4 1/4"	14"	5 1/4"	2 1/4"	9"
	0240LY-M54-XK	Single-Left Hand with Side Inlet		4,062.00		1 1/2"	4 1/4"	11 1/2"	6 1/2"	2 3/4"	11 1/2"
	0240RY-M54-XK	Single-Right Hand with Side Inlet		4,062.00		1 1/2"	4 1/4"	11 1/2"	6 1/2"	2 3/4"	11 1/2"
	0240DY-M54-XK	Double-with Side Inlet		7,986.00		1 1/2"	4 1/4"	11 1/2"	6 1/2"	2 3/4"	11 1/2"
	0240LY-M54-XK	Single-Left Hand with Side Inlet			4,242.00	1 1/2"	4 1/4"	11 1/2"	6 1/4"	3 1/4"	11 1/2"
	0240DY-M54-XK	Double-with Side Inlet			8,717.00	1 1/2"	4 1/4"	11 1/2"	6 1/4"	3 1/4"	11 1/2"

NOTE: Base support must be securely anchored to floor with 1/2" anchors able to withstand a pull-out force of 500 lbs. The rear anchor bar must be securely anchored to floor with 1/2" anchors able to withstand a pull-out force of 1000 lbs. Pull-out forces are calculated values, no safety factor has been applied.

Jay R. Smith 0240Y-M54-XK complies with and/or exceeds all requirements of ASME A112.6.1M up to 1000 lbs.



FIXTURE SUPPORTS

FIG. 0240Y-M54-XX VERTICAL FITTINGS FOR SIPHON JET WATER CLOSETS WITH SIDE INLET EXTRA HEAVY DUTY - 750 LBS.

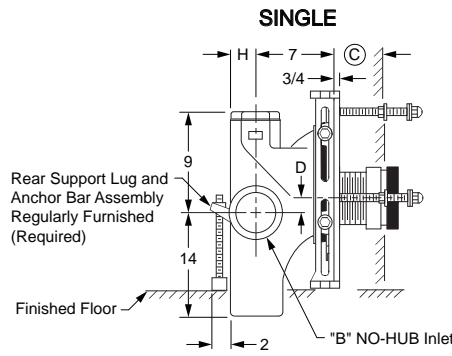


Fig. 0240Y-M54-XX
Side View

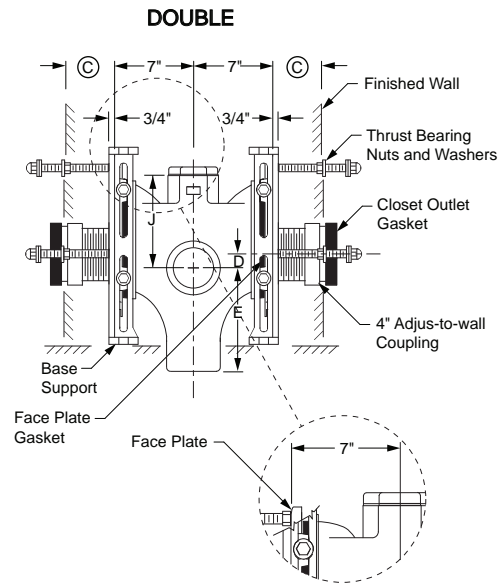


Fig. 0240DY-M54-XX
Side View

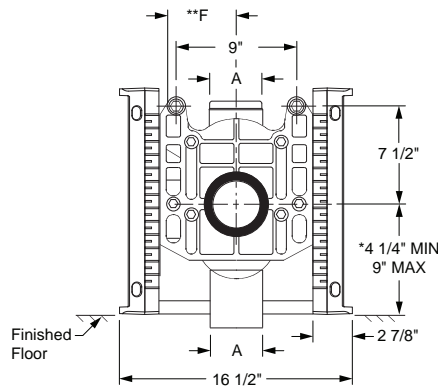


Fig. 0240Y-M54-XX
Front View

NOTE: Shallower minimum rough-in dimension to accommodate lower rough bowls available. Specify dimension required.

NOTE: 1 1/2" or 2" tapped inlet available. Add suffix -N.

NOTE: *9" core drilled hole is required for rough-in 4 1/4 thru 6 1/2.

© dimension = 4" regularly furnished consisting of nipple and Adjus-to-Wall coupling permitting adjustment from 3" min. to 4" max.

**F dimension is from centerline of vent to centerline of stack.

OUTLET TYPE	FIGURE NO.	TYPE OF FITTING	A X B SIZE			D		E	**F	H	J
			†04" X 04"	05" X 04" OR 05"	06" X 04"	MIN	MAX				
NO-HUB	0240LY-M54-XX	Single-Left Hand with Side Inlet	2,891.00			1 1/2"	4 1/4"	14"	5 1/4"	2 1/4"	9"
	0240RY-M54-XX	Single-Right Hand with Side Inlet	2,891.00			1 1/2"	4 1/4"	14"	5 1/4"	2 1/4"	9"
	0240DY-M54-XX	Double-with Side Inlet	5,341.00			1 1/2"	4 1/4"	14"	5 1/4"	2 1/4"	9"
	0240LY-M54-XX	Single-Left Hand with Side Inlet		3,490.00		1 1/2"	4 1/4"	11 1/2"	6 1/2"	2 3/4"	11 1/2"
	0240RY-M54-XX	Single-Right Hand with Side Inlet		3,490.00		1 1/2"	4 1/4"	11 1/2"	6 1/2"	2 3/4"	11 1/2"
	0240DY-M54-XX	Double-with Side Inlet		6,495.00		1 1/2"	4 1/4"	11 1/2"	6 1/2"	2 3/4"	11 1/2"
	0240LY-M54-XX	Single-Left Hand with Side Inlet			4,088.00	1 1/2"	4 1/4"	11 1/2"	6 1/4"	3 1/4"	11 1/2"
	0240DY-M54-XX	Double-with Side Inlet			7,649.00	1 1/2"	4 1/4"	11 1/2"	6 1/4"	3 1/4"	11 1/2"

NOTE: Base support must be securely anchored to floor with 1/2" anchors able to withstand a pull-out force of 500 lbs. The rear anchor bar must be securely anchored to floor with 1/2" anchors able to withstand a pull-out force of 1000 lbs. Pull-out forces are calculated values, no safety factor has been applied.

Jay R. Smith 0240Y-M54-XX complies with and/or exceeds all requirements of ASME A112.6.1M up to 750 lbs.

NOTE: Service weight regularly furnished on fittings above.
NOTE: Always specify fixture manufacturer's model name and number.



FIXTURE SUPPORTS

FIG. 0240Y-M58/54-XK VERTICAL FITTINGS FOR SIPHON JET WATER CLOSETS WITH SIDE INLET BARIATRIC DUTY - 1000 LBS.

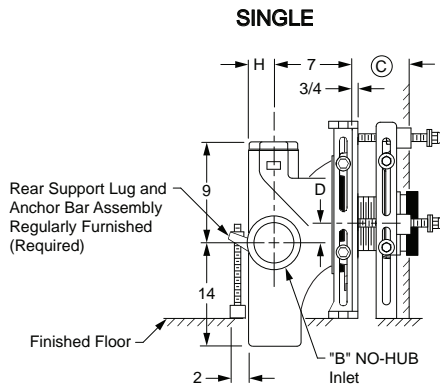


Fig. 0240Y-M58-M54-XK Side View

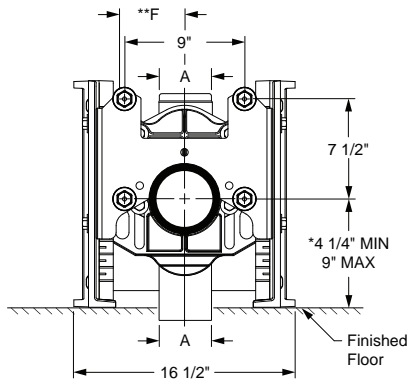


Fig. 0240Y-M58-M54-XK Front View

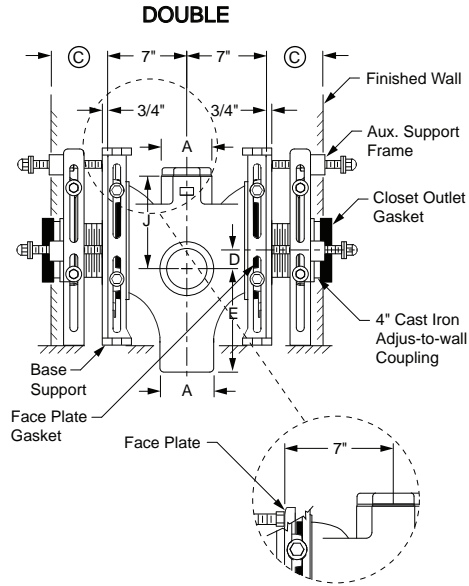


Fig. 0240DY-M58-M54-XK Side View

NOTE: Shallower minimum rough-in dimension to accommodate lower rough bowls available. Specify dimension required.

NOTE: 1 1/2" or 2" tapped inlet available. Add suffix -N.

NOTE: *9" core drilled hole is required for rough-in 4 1/4 thru 6 1/2.

© dimension = 4 1/4" to 4 3/4" with regularly furnished 5 1/4" cast iron nipple.

**F dimension is from centerline of vent to centerline of stack.

OUTLET TYPE	FIGURE NO.	TYPE OF FITTING	†04" X 04"	A X B SIZE		D		E	**F	H	J
				05" X 04" OR 05"	06" X 04"	MIN	MAX				
NO-HUB	0240LY-M58/54-XK	Single-Left Hand with Side Inlet	3,882.00			1 1/2"	4 1/4"	14"	5 1/4"	2 1/4"	9"
	0240RY-M58/54-XK	Single-Right Hand with Side Inlet	3,882.00			1 1/2"	4 1/4"	14"	5 1/4"	2 1/4"	9"
	0240DY-M58/54-XK	Double-with Side Inlet	7,254.00			1 1/2"	4 1/4"	14"	5 1/4"	2 1/4"	9"
	0240LY-M58/54-XK	Single-Left Hand with Side Inlet		4,062.00		1 1/2"	4 1/4"	11 1/2"	6 1/2"	2 3/4"	11 1/2"
	0240RY-M58/54-XK	Single-Right Hand with Side Inlet		4,062.00		1 1/2"	4 1/4"	11 1/2"	6 1/2"	2 3/4"	11 1/2"
	0240DY-M58/54-XK	Double-with Side Hub Inlet		7,986.00		1 1/2"	4 1/4"	11 1/2"	6 1/2"	2 3/4"	11 1/2"
	0240LY-M58/54-XK	Single-Left Hand with Side Inlet			4,242.00	1 1/2"	4 1/4"	11 1/2"	6 1/4"	3 1/4"	11 1/2"
	0240DY-M58/54-XK	Double-with Side Inlet			8,717.00	1 1/2"	4 1/4"	11 1/2"	6 1/4"	3 1/4"	11 1/2"

NOTE: Base support must be securely anchored to floor with 1/2" anchors able to withstand a pull-out force of 500 lbs. The rear anchor bar must be securely anchored to floor with 1/2" anchors able to withstand a pull-out force of 1000 lbs. Pull-out forces are calculated values, no safety factor has been applied.

Jay R. Smith 0240Y-M58/54-XK complies with and/or exceeds all requirements of ASME A112.6.1M up to 1000 lbs.

NOTE: Service weight regularly furnished on fittings above.
NOTE: Always specify fixture manufacturer's model name and number.



FIXTURE SUPPORTS

FIG. 0240Y-M58/54-XX VERTICAL FITTINGS FOR SIPHON JET WATER CLOSETS WITH SIDE INLET EXTRA HEAVY DUTY - 750 LBS.

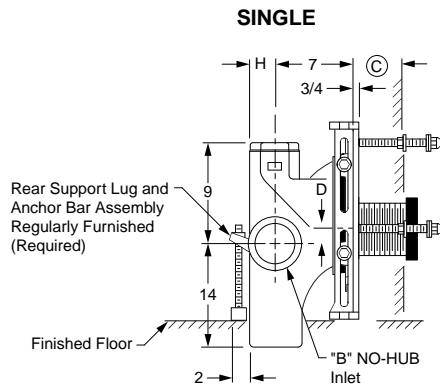


Fig. 0240Y-M58-M54-XX Side View

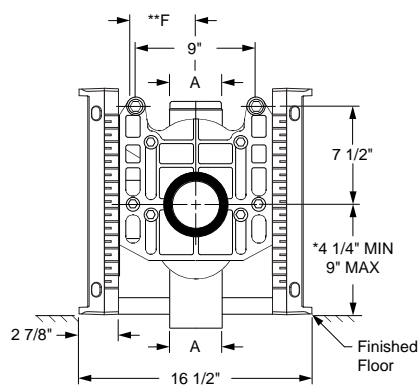


Fig. 0240Y-M58-M54-XX Front View

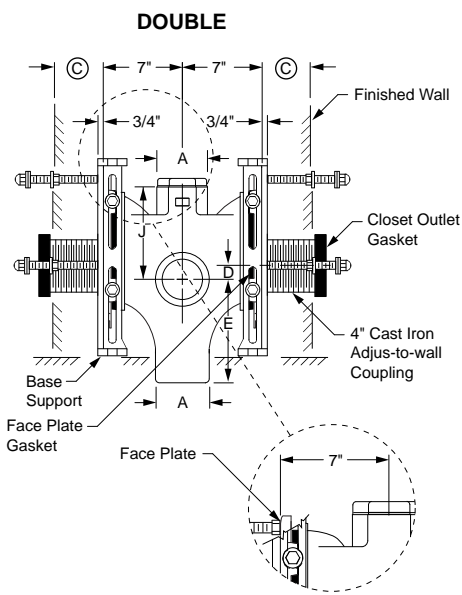


Fig. 0240DY-M58-M54-XX Side View

NOTE: Shallower minimum rough-in dimension to accommodate lower rough bowls available. Specify dimension required.

NOTE: 1 1/2" or 2" tapped inlet available. Add suffix -N.

NOTE: *9" core drilled hole is required for rough-in 4 1/4 thru 6 1/2.

© dimension = 3 1/4" to 9 3/4" with regularly furnished 10" nipple. The threaded end of nipple must be cut to specified length required by others.

**F dimension is from centerline of vent to centerline of stack.

OUTLET TYPE	FIGURE NO.	TYPE OF FITTING	A X B SIZE			D		E	**F	H	J
			†04" X 04"	05" X 04" OR 05"	06" X 04"	MIN	MAX				
NO-HUB	0240LY-M58/54-XX	Single-Left Hand with Side Inlet	2,891.00			1 1/2"	4 1/4"	14"	5 1/4"	2 1/4"	9"
	0240RY-M58/54-XX	Single-Right Hand with Side Inlet	2,891.00			1 1/2"	4 1/4"	14"	5 1/4"	2 1/4"	9"
	0240DY-M58/54-XX	Double-with Side Hub Inlet	5,341.00			1 1/2"	4 1/4"	14"	5 1/4"	2 1/4"	9"
	0240LY-M58/54-XX	Single-Left Hand with Side Inlet		3,490.00		1 1/2"	4 1/4"	11 1/2"	6 1/2"	2 3/4"	11 1/2"
	0240RY-M58/54-XX	Single-Right Hand with Side Inlet		3,490.00		1 1/2"	4 1/4"	11 1/2"	6 1/2"	2 3/4"	11 1/2"
	0240DY-M58/54-XX	Double-with Side Hub Inlet		6,495.00		1 1/2"	4 1/4"	11 1/2"	6 1/2"	2 3/4"	11 1/2"
	0240LY-M58/54-XX	Single-Left Hand with Side Inlet			4,088.00	1 1/2"	4 1/4"	11 1/2"	6 1/4"	3 1/4"	11 1/2"
0240DY-M58/54-XX	Double-with Side Inlet			7,649.00	1 1/2"	4 1/4"	11 1/2"	6 1/4"	3 1/4"	11 1/2"	

NOTE: Base support must be securely anchored to floor with 1/2" anchors able to withstand a pull-out force of 500 lbs. The rear anchor bar must be securely anchored to floor with 1/2" anchors able to withstand a pull-out force of 1000 lbs. Pull-out forces are calculated values, no safety factor has been applied.

Jay R. Smith 0240Y-M58/54-XX complies with and/or exceeds all requirements of ASME A112.6.1M up to 750 lbs.

NOTE: Service weight regularly furnished on fittings above.
NOTE: Always specify fixture manufacturer's model name and number.



FIXTURE SUPPORTS

FIG. 0250Y-M54-XK VERTICAL FITTINGS FOR SIPHON JET WATER CLOSETS WITH TWO SIDE INLETS BARIATRIC DUTY - 1000 LBS.

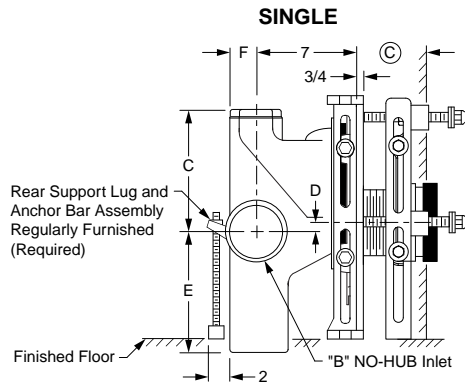


Fig. 0250Y-M54-XK Side View

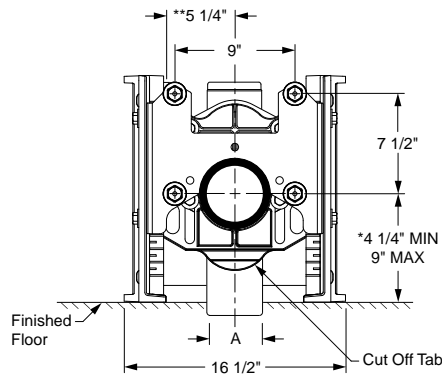


Fig. 0250Y-M54-XK Front View

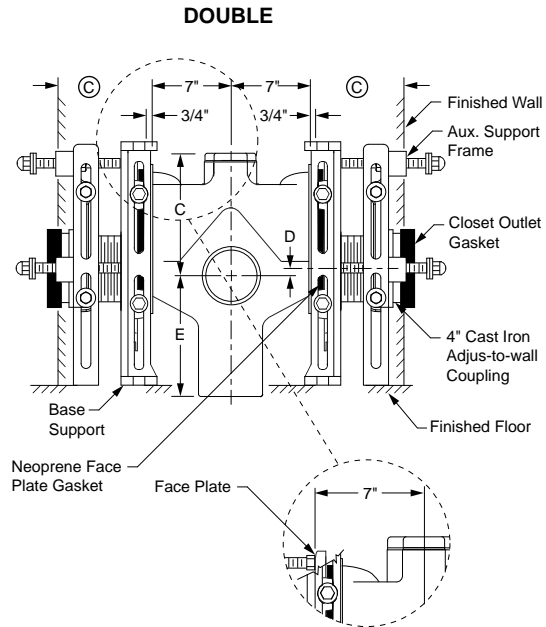


Fig. 0250DY-M54-XK Side View

NOTE: Shallower minimum rough-in dimension to accommodate lower rough bowls available. Specify dimension required.

NOTE: Centerline of stack to end of NO-HUB side inlet is 5".

NOTE: *9" core drilled hole is required for rough-in 4 1/4 thru 6 1/2.

© dimension = 4 1/4" to 5 1/4" with regularly furnished 4 1/2" cast iron nipple and Adjus-to-Wall coupling.

**Dimension is from centerline of vent to centerline of stack.

OUTLET TYPE	FIGURE NO.	TYPE OF FITTING	A X B SIZE			C	D		E	F
			†04" X 04"	05" X 04" OR 05"	06" X 04"		MIN	MAX		
NO-HUB	0250Y-M54-XK	Single—with Two Side Inlets	4,138.00			9"	1 1/2"	4 1/4"	14"	2 1/4"
	0250DY-M54-XK	Double—with Two Side Inlets	7,510.00			9"	1 1/2"	4 1/4"	14"	2 1/4"
	0250Y-M54-XK	Single—with Two Side Inlets		4,318.00		11 1/2"	1 1/2"	4 1/4"	11 1/2"	2 3/4"
	0250DY-M54-XK	Double—with Two Side Inlets		8,242.00		11 1/2"	1 1/2"	4 1/4"	11 1/2"	2 3/4"
	0250Y-M54-XK	Single—with Two Side Inlets			4,498.00	11 1/2"	1 1/2"	4 1/4"	11 1/2"	3 1/4"
	0250DY-M54-XK	Double—with Two Side Inlets			8,973.00	11 1/2"	1 1/2"	4 1/4"	11 1/2"	3 1/4"

NOTE: Base support must be securely anchored to floor with 1/2" anchors able to withstand a pull-out force of 500 lbs. The rear anchor bar must be securely anchored to floor with 1/2" anchors able to withstand a pull-out force of 1000 lbs. Pull-out forces are calculated values, no safety factor has been applied.

Jay R. Smith 0250Y-M54-XK complies with and/or exceeds all requirements of ASME A112.6.1M up to 1000 lbs.

NOTE: Service weight regularly furnished on fittings above.
NOTE: Always specify fixture manufacturer's model name and number.

†REGULARLY FURNISHED



FIXTURE SUPPORTS

FIG. 0250Y-M54-XX VERTICAL FITTINGS FOR SIPHON JET WATER CLOSETS WITH TWO SIDE INLETS EXTRA HEAVY DUTY - 750 LBS.

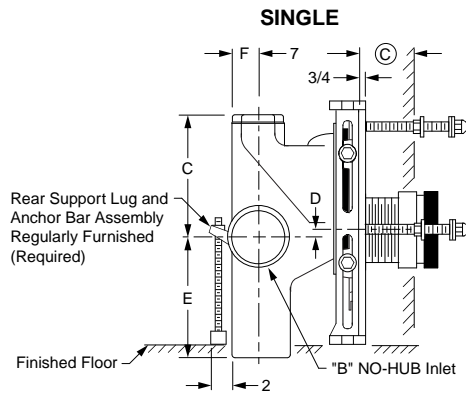


Fig. 0250Y-M54-XX Side View

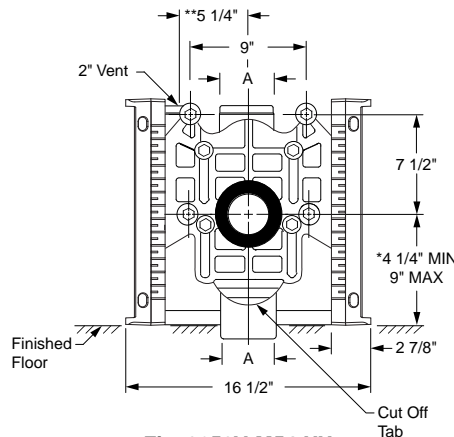


Fig. 0250Y-M54-XX Front View

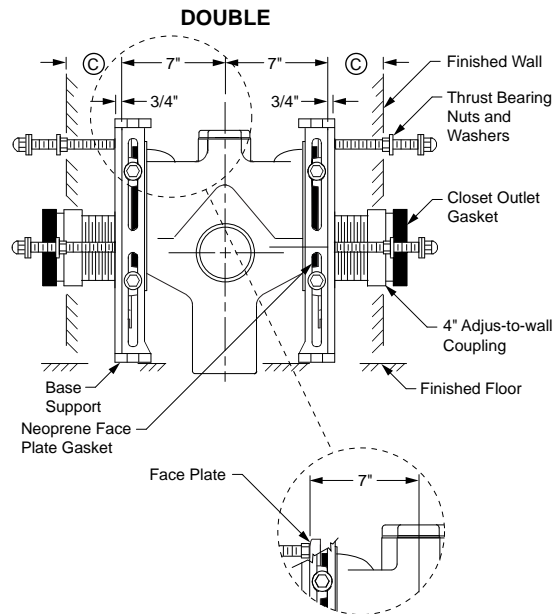


Fig. 0250DY-M54-XX Side View

NOTE: Shallower minimum rough-in dimension to accommodate lower rough bowls available. Specify dimension required.

NOTE: Centerline of stack to end of NO-HUB side inlet is 5".

NOTE: *9" core drilled hole is required for rough-in 4 1/4 thru 6 1/2.

© dimension = 4" (regularly furnished) consisting of nipple and Adjus-to-Wall coupling permitting adjustment from 3" min. to 4" max.

OUTLET TYPE	FIGURE NO.	TYPE OF FITTING	A X B SIZE			C	D.		E	F
			†04" X 04"	05" X 04" OR 05"	06" X 04"		MIN	MAX		
NO-HUB	0250Y-M54-XX	Single—with Two Side Inlets	3,147.00			9"	1 1/2"	4 1/4"	14"	2 1/4"
	0250DY-M54-XX	Double—with Two Side Inlets	5,597.00			9"	1 1/2"	4 1/4"	14"	2 1/4"
	0250Y-M54-XX	Single—with Two Side Inlets		3,746.00		11 1/2"	1 1/2"	4 1/4"	11 1/2"	2 3/4"
	0250DY-M54-XX	Double—with Two Side Inlets		6,751.00		11 1/2"	1 1/2"	4 1/4"	11 1/2"	2 3/4"
	0250Y-M54-XX	Single—with Two Side Inlets			4,344.00	11 1/2"	1 1/2"	4 1/4"	11 1/2"	3 1/4"
	0250DY-M54-XX	Double—with Two Side Inlets			7,905.00	11 1/2"	1 1/2"	4 1/4"	11 1/2"	3 1/4"

NOTE: Base support must be securely anchored to floor with 1/2" anchors able to withstand a pull-out force of 500 lbs. The rear anchor bar must be securely anchored to floor with 1/2" anchors able to withstand a pull-out force of 1000 lbs. Pull-out forces are calculated values, no safety factor has been applied.

Jay R. Smith 0250Y-M54-XX complies with and/or exceeds all requirements of ASME A112.6.1M up to 750 lbs.

NOTE: Service weight regularly furnished on fittings above.
NOTE: Always specify fixture manufacturer's model name and number.



FIXTURE SUPPORTS

FIG. 0250Y-M58/54-XK VERTICAL FITTINGS FOR SIPHON JET WATER CLOSETS WITH TWO SIDE INLETS BARIATRIC DUTY - 1000 LBS.

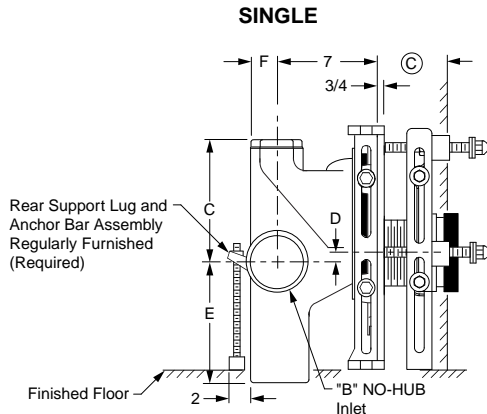


Fig. 0250Y-M58-M54-XK
Side View

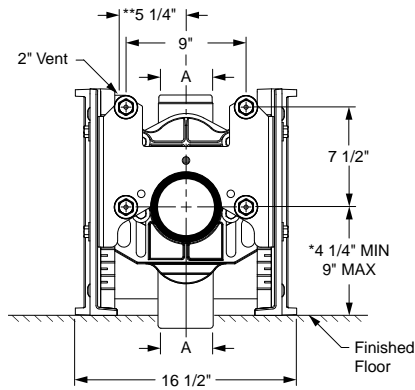


Fig. 0250Y-M58-M54-XK
Front View

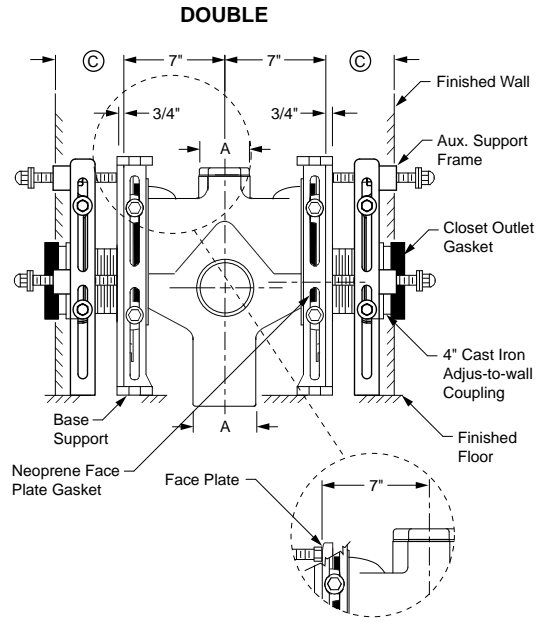


Fig. 0250DY-M58-M54-XK
Side View

NOTE: Shallower minimum rough-in dimension to accommodate lower rough bowls available. Specify dimension required.

NOTE: Centerline of stack to end of NO-HUB side inlet is 5" .

NOTE: *9" core drilled hole is required for rough-in 4 1/4 thru 6 1/2.

© dimension = 4 1/4" - 4 3/4" with regularly furnished 5 1/4" nipple.

NOTE: **dimension is from centerline of vent to centerline of stack.

OUTLET TYPE	FIGURE NO.	TYPE OF FITTING	†04" X 04"	A X B SIZE			C	D		E	F
				05" X 04"	OR 05"	06" X 04"		MIN	MAX		
NO-HUB	0250Y-M58/54-XK	Single-with Two Side Inlets	4,138.00				9"	1 1/2"	4 1/4"	14"	2 1/4"
	0250DY-M58/54-XK	Double-with Two Side Inlets	7,510.00				9"	1 1/2"	4 1/4"	14"	2 1/4"
	0250Y-M58/54-XK	Single-with Two Side Inlets		4,318.00			11 1/2"	1 1/2"	4 1/4"	11 1/2"	2 3/4"
	0250DY-M58/54-XK	Double-with Two Side Inlets		8,242.00			11 1/2"	1 1/2"	4 1/4"	11 1/2"	2 3/4"
	0250Y-M58/54-XK	Single-with Two Side Inlets			4,498.00		11 1/2"	1 1/2"	4 1/4"	11 1/2"	3 1/4"
	0250DY-M58/54-XK	Double-with Two Side Inlets			8,973.00		11 1/2"	1 1/2"	4 1/4"	11 1/2"	3 1/4"

NOTE: Base support must be securely anchored to floor with 1/2" anchors able to withstand a pull-out force of 500 lbs. The rear anchor bar must be securely anchored to floor with 1/2" anchors able to withstand a pull-out force of 1000 lbs. Pull-out forces are calculated values, no safety factor has been applied.

Jay R. Smith 0250Y-M58-M54-XK complies with and/or exceeds all requirements of ASME A112.6.1M up to 1000 lbs.



FIXTURE SUPPORTS

FIG. 0250Y-M58/54-XX VERTICAL FITTINGS FOR SIPHON JET WATER CLOSETS WITH TWO SIDE INLETS EXTRA HEAVY DUTY - 750 LBS.

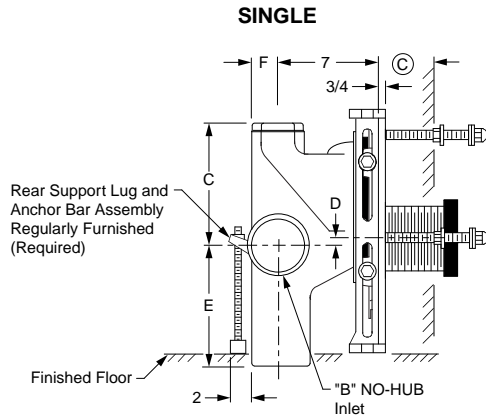


Fig. 0250Y-M58-M54-XX
Side View

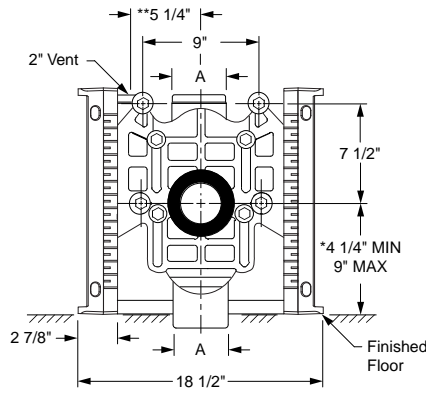


Fig. 0250Y-M58-M54-XX
Front View

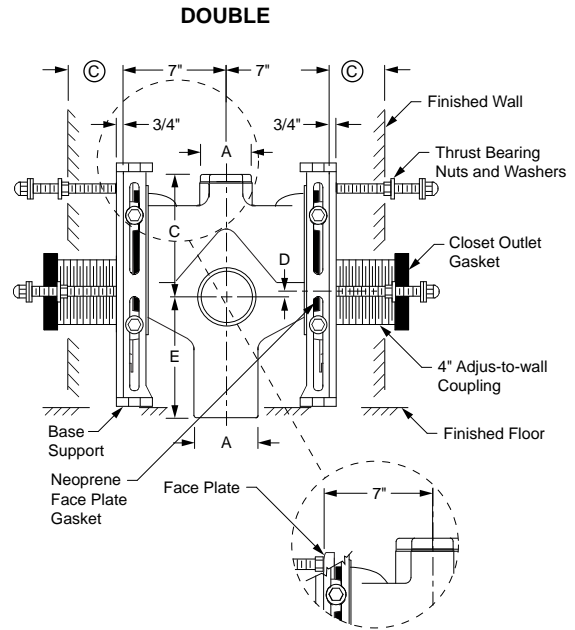


Fig. 0250DY-M58-M54-XX
Side View

NOTE: Shallower minimum rough-in dimension to accommodate lower rough bowls available. Specify dimension required.

NOTE: Centerline of stack to end of NO-HUB side inlet is 5".

NOTE: *9" core drilled hole is required for rough-in 4 1/4 thru 6 1/2.

© dimension = 3 1/4" - 9 3/4" with regularly furnished 10" nipple. The threaded end of nipple must be cut to specified length required by others.

OUTLET TYPE	FIGURE NO.	TYPE OF FITTING	†04" X 04"	A X B SIZE			C	D		E	F
				05" X 04"	06" X 04"	MIN		MAX			
NO-HUB	0250Y-M58/54-XX	Single-with Two Side Inlets	3,147.00			9"	1 1/2"	4 1/4"	14"	2 1/4"	
	0250DY-M58/54-XX	Double-with Two Side Inlets	5,597.00			9"	1 1/2"	4 1/4"	14"	2 1/4"	
	0250Y-M58/54-XX	Single-with Two Side Inlets		3,746.00		11 1/2"	1 1/2"	4 1/4"	11 1/2"	2 3/4"	
	0250DY-M58/54-XX	Double-with Two Side Inlets		6,751.00		11 1/2"	1 1/2"	4 1/4"	11 1/2"	2 3/4"	
	0250Y-M58/54-XX	Single-with Two Side Inlets			4,344.00	11 1/2"	1 1/2"	4 1/4"	11 1/2"	3 1/4"	
	0250DY-M58/54-XX	Double-with Two Side Inlets			7,905.00	11 1/2"	1 1/2"	4 1/4"	11 1/2"	3 1/4"	

NOTE: Base support must be securely anchored to floor with 1/2" anchors able to withstand a pull-out force of 500 lbs. The rear anchor bar must be securely anchored to floor with 1/2" anchors able to withstand a pull-out force of 1000 lbs. Pull-out forces are calculated values, no safety factor has been applied.

Jay R. Smith 0250Y-M58-M54-XX complies with and/or exceeds all requirements of ASME A112.6.1M up to 750 lbs.

NOTE: Service weight regularly furnished on fittings above.
NOTE: Always specify fixture manufacturer's model name and number.



FIXTURE SUPPORTS

FIG. 0310, 0320 SERIES HORIZONTAL FITTINGS FOR BLOWOUT WATER CLOSETS SHALLOW ROUGH-IN TYPE

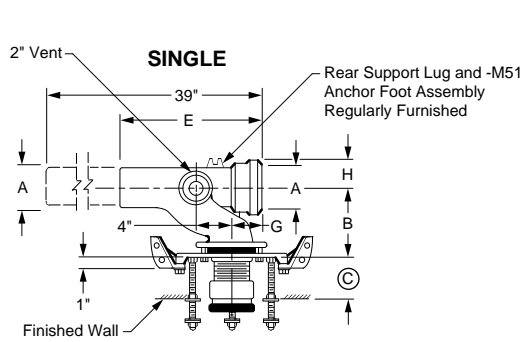


Fig. 0310R
Top View

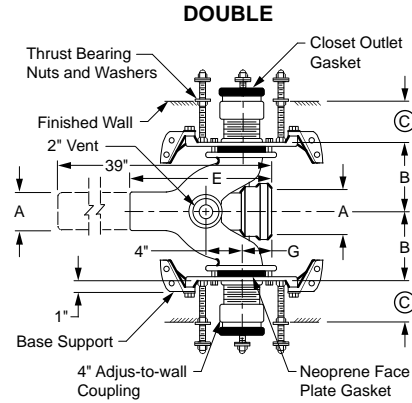


Fig. 0310D
Top View

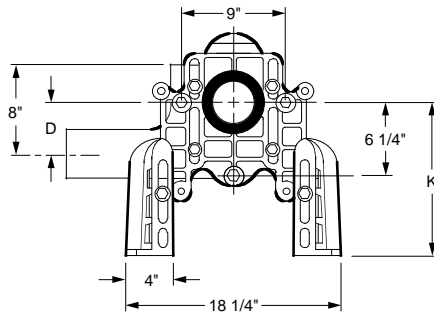


Fig. 0310R
Front View

NOTE: When used with concealed flush valve locate face plate behind supply pipe.

NOTE: Base support must be securely anchored to floor with four 1/2" bolts provided by contractor.

NOTE: © dimension = 4" (regularly furnished) consisting of nipple and adjus-to-wall coupling permitting adjustment from 3" min. to 4" max.

OUTLET TYPE	FIGURE NO.	TYPE OF FITTING	A PIPE SIZE		B	D		E	G	H	K		APPROX. WT. LBS.
			†04"	05"		MIN	MAX				MIN	MAX	
CAULK	0310L	Single-Left Hand	783.00		7"	1 7/8"	4 3/4"	16"	3 3/8"	3"	10 3/4"	15 3/4"	65
	0310R	Single-Right Hand	783.00		7"	1 7/8"	4 3/4"	16"	3 3/8"	3"	10 3/4"	15 3/4"	65
	0310D	Double	1,354.00		7"	1 7/8"	4 3/4"	16"	3 3/8"	3"	10 3/4"	15 3/4"	108
	0310L	Single-Left Hand		1,210.00	9"	1 7/8"	4 3/4"	16"	3 3/8"	3 1/2"	10 3/4"	15 3/4"	65
	0310R	Single-Right Hand		1,210.00	9"	1 7/8"	4 3/4"	16"	3 3/8"	3 1/2"	10 3/4"	15 3/4"	65
	0310D	Double		2,129.00	9"	1 7/8"	4 3/4"	16"	3 3/8"	3 1/2"	10 3/4"	15 3/4"	108
	0320L	Single-Left Hand Long Barrel	1,132.00		7"	1 7/8"	4 3/4"	16"	3 3/8"	3"	10 3/4"	15 3/4"	82
	0320R	Single-Right Hand Long Barrel	1,132.00		7"	1 7/8"	4 3/4"	16"	3 3/8"	3"	10 3/4"	15 3/4"	82
	0320D	Double Long Barrel	1,966.00		7"	1 7/8"	4 3/4"	16"	3 3/8"	3"	10 3/4"	15 3/4"	127
	0320L	Single-Left Hand Long Barrel		1,638.00	9"	1 7/8"	4 3/4"	16"	3 3/8"	3 1/2"	10 3/4"	15 3/4"	82
	0320R	Single-Right Hand Long Barrel		1,638.00	9"	1 7/8"	4 3/4"	16"	3 3/8"	3 1/2"	10 3/4"	15 3/4"	82
	0320D	Double Long Barrel		2,726.00	9"	1 7/8"	4 3/4"	16"	3 3/8"	3 1/2"	10 3/4"	15 3/4"	127

The water closet gasket regularly furnished is made of molded neoprene and designed to fit water closet outlet dimensions and configurations shown in ANSI Standard A112.19.2M, Figure 13B. If gasket is not found to be compatible to fixture due to nonconformance of said fixture to ANSI A112.19.2M, then fixture manufacturer shall be consulted for a suitable gasket recommendation. Jay R. Smith assumes no liability for connections to fixtures which do not conform to these standards.

NOTE: Service weight regularly furnished on fittings above.
NOTE: Always specify fixture manufacturer's model name and number.



FIXTURE SUPPORTS

FIG. 0310Y, 0320Y SERIES HORIZONTAL FITTINGS FOR BLOWOUT WATER CLOSETS SHALLOW ROUGH-IN TYPE



FIXTURE SUPPORTS

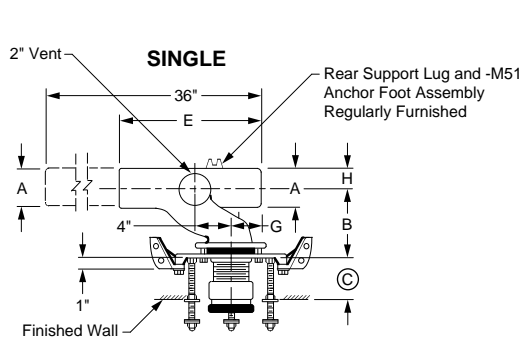


Fig. 0310RY
Top View

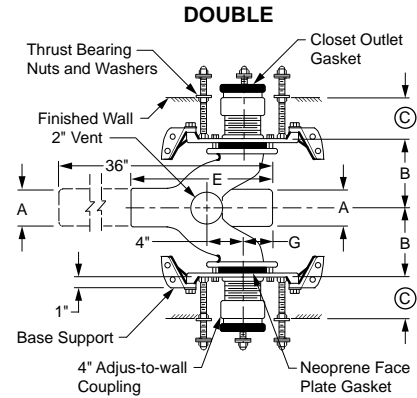


Fig. 0310DY
Top View

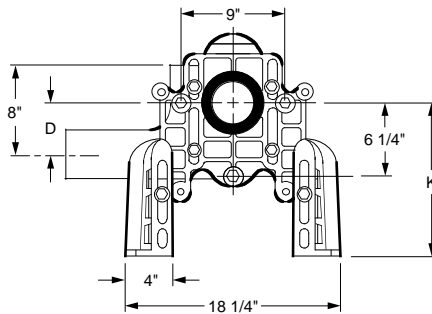


Fig. 0310Y
Front View

NOTE: When used with concealed flush valve locate face plate behind supply pipe.

NOTE: Base support must be securely anchored to floor with four 1/2" bolts provided by contractor.

NOTE: © dimension = 4" (regularly furnished) consisting of nipple and adjus-to-wall coupling permitting adjustment from 3" min. to 4" max.

OUTLET TYPE	FIGURE NO.	TYPE OF FITTING	A PIPE SIZE		B	D		E	G	H	K		APPROX. WT. LBS.
			†04"	05"		MIN	MAX				MIN	MAX	
NO-HUB	0310LY	Single-Left Hand	783.00		7"	1 7/8"	4 3/4"	14"	3 3/8"	3"	10 3/4"	15 3/4"	55
	0310RY	Single-Right Hand	783.00		7"	1 7/8"	4 3/4"	14"	3 3/8"	3"	10 3/4"	15 3/4"	55
	0310DY	Double	1,354.00		7"	1 7/8"	4 3/4"	14"	3 3/8"	3"	10 3/4"	15 3/4"	100
	0310LY	Single-Left Hand		1,107.00	9"	1 7/8"	4 3/4"	16"	3 3/8"	3 1/2"	10 3/4"	15 3/4"	55
	0310RY	Single-Right Hand		1,107.00	9"	1 7/8"	4 3/4"	16"	3 3/8"	3 1/2"	10 3/4"	15 3/4"	55
	0310DY	Double		1,846.00	9"	1 7/8"	4 3/4"	16"	3 3/8"	3 1/2"	10 3/4"	15 3/4"	100
	0320LY	Single-Left Hand Long Barrel	1,132.00		7"	1 7/8"	4 3/4"	14"	3 3/8"	3"	10 3/4"	15 3/4"	74
	0320RY	Single-Right Hand Long Barrel	1,132.00		7"	1 7/8"	4 3/4"	14"	3 3/8"	3"	10 3/4"	15 3/4"	74
0320DY	Double Long Barrel	1,966.00		7"	1 7/8"	4 3/4"	14"	3 3/8"	3"	10 3/4"	15 3/4"	119	

The water closet gasket regularly furnished is made of molded neoprene and designed to fit water closet outlet dimensions and configurations shown in ANSI Standard A112.19.2M, Figure 13B. If gasket is not found to be compatible to fixture due to nonconformance of said fixture to ANSI A112.19.2M, then fixture manufacturer shall be consulted for a suitable gasket recommendation. Jay R. Smith assumes no liability for connections to fixtures which do not conform to these standards.

NOTE: Service weight regularly furnished on fittings above.
NOTE: Always specify fixture manufacturer's model name and number.



FIXTURE SUPPORTS

FIG. 0315, 0315Y SERIES HORIZONTAL FITTINGS FOR ELEVATED BLOWOUT WATER CLOSETS FOR WHEELCHAIR USERS

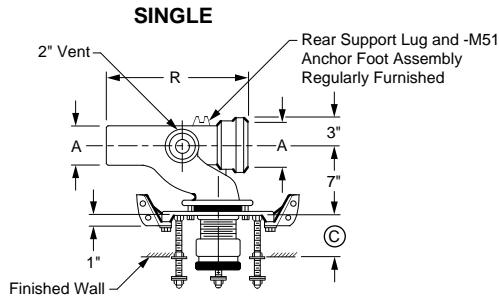


Fig. 0315R
Top View

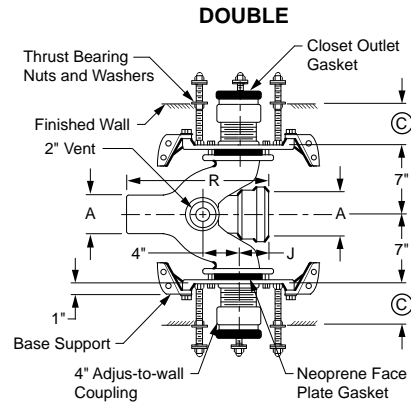


Fig. 0315D
Top View

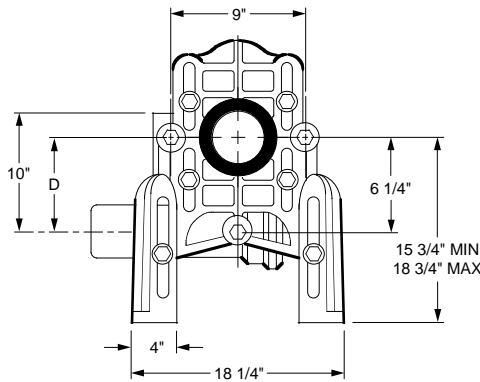


Fig. 0315
Front View

NOTE: When used with concealed flush valve locate face plate behind supply pipe.

NOTE: Base support must be securely anchored to floor with four 1/2" bolts provided by contractor.

OUTLET TYPE	FIGURE NO.	TYPE OF FITTING	A PIPE SIZE †04"	D		J	R	APPROX. WT. LBS.
				MIN	MAX			
CAULK	0315L	Single-Left Hand Hi-set	783.00	4 5/8"	8 5/8"	3 3/8"	16"	70
	0315R	Single-Right Hand Hi-set	783.00	4 5/8"	8 5/8"	3 3/8"	16"	70
	0315D	Double-Hi-set	1,354.00	4 5/8"	8 5/8"	3 3/8"	16"	134
NO-HUB	0315LY	Single-Left Hand Hi-set	783.00	4 5/8"	8 5/8"	4"	14"	70
	0315RY	Single-Right Hand Hi-set	783.00	4 5/8"	8 5/8"	4"	14"	70
	0315DY	Double-Hi-set	1,354.00	4 5/8"	8 5/8"	4"	14"	134

The water closet gasket regularly furnished is made of molded neoprene and designed to fit water closet outlet dimensions and configurations shown in ANSI Standard A112.19.2M, Figure 13B. If gasket is not found to be compatible to fixture due to nonconformance of said fixture to ANSI A112.19.2M, then fixture manufacturer shall be consulted for a suitable gasket recommendation. Jay R. Smith assumes no liability for connections to fixtures which do not conform to these standards.

NOTE: Service weight regularly furnished on fittings above.
NOTE: Always specify fixture manufacturer's model name and number.



FIXTURE SUPPORTS

FIG. 0330, 0360 VERTICAL FITTINGS FOR BLOWOUT WATER CLOSETS - SHALLOW ROUGH-IN TYPE



FIXTURE SUPPORTS

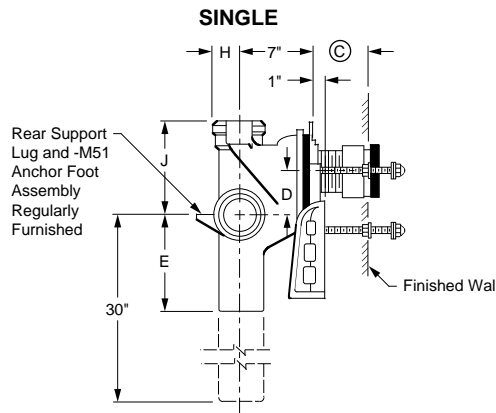


Fig. 0330
Side View

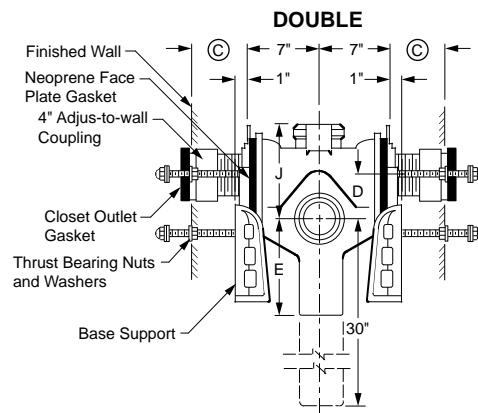


Fig. 0330D
Side View

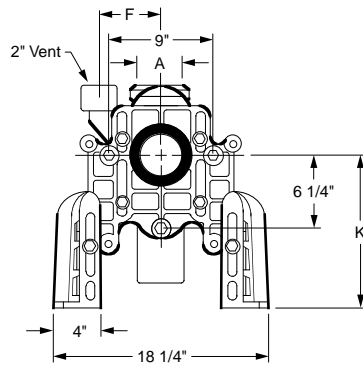


Fig. 0330
Front View

NOTE: Base support must be securely anchored to floor with four 1/2" bolts provided by contractor.

NOTE: 1 1/2" or 2" tapped inlet available. Add suffix -N.

NOTE: When used with concealed flush valve locate face plate behind supply pipe.

NOTE: © dimension = 4" (regularly furnished) consisting of nipple and adjus-to-wall coupling permitting adjustment from 3" min. to 4" max.

OUTLET TYPE	FIGURE NO.	TYPE OF FITTING	A PIPE SIZE			D		E	F	H	J	K		APPROX. WT. LBS.
			†04"	05"	06"	MIN	MAX					MIN	MAX	
CAULK	0330	Single	1,228.00			2 3/4"	5 1/2"	10"	5 1/4"	3"	9"	10 3/4"	15 3/4"	98
	0330D	Double	2,132.00			2 3/4"	5 1/2"	10"	5 1/4"	3"	9"	10 3/4"	15 3/4"	135
	0330	Single		1,366.00		2 7/8"	5 3/4"	11 1/2"	6 1/4"	3 1/2"	11 1/2"	10 3/4"	15 3/4"	98
	0330D	Double		2,173.00		2 7/8"	5 3/4"	11 1/2"	6 1/4"	3 1/2"	11 1/2"	10 3/4"	15 3/4"	135
	0330	Single			1,604.00	2 3/4"	5 1/2"	11 1/2"	6 1/4"	4"	11 1/2"	10 3/4"	15 3/4"	98
	0330D	Double			2,399.00	2 3/4"	5 1/2"	11 1/2"	6 1/4"	4"	11 1/2"	10 3/4"	15 3/4"	135
			†04" X 04"	05" X 04" OR 05"	06" X 04"									
CAULK	0360	Single Long Barrel	1,228.00			2 3/4"	5 1/2"	10"	5 1/4"	3"	9"	10 3/4"	15 3/4"	117
	0360D	Double Long Barrel	1,228.00			2 3/4"	5 1/2"	10"	5 1/4"	3"	9"	10 3/4"	15 3/4"	154
	0360	Single Long Barrel		3,014.00		2 7/8"	5 3/4"	11 1/2"	6 1/4"	3 1/2"	11 1/2"	10 3/4"	15 3/4"	117
	0360D	Double Long Barrel		3,819.00		2 7/8"	5 3/4"	11 1/2"	6 1/4"	3 1/2"	11 1/2"	10 3/4"	15 3/4"	154
	0360	Single Long Barrel			3,541.00	2 3/4"	5 1/2"	11 1/2"	6 1/4"	4"	11 1/2"	10 3/4"	15 3/4"	117
	0360D	Double Long Barrel			4,336.00	2 3/4"	5 1/2"	11 1/2"	6 1/4"	4"	11 1/2"	10 3/4"	15 3/4"	154

The water closet gasket regularly furnished is made of molded neoprene and designed to fit water closet outlet dimensions and configurations shown in ANSI Standard A112.19.2M, Figure 13B. If gasket is not found to be compatible to fixture due to nonconformance of said fixture to ANSI A112.19.2M, then fixture manufacturer shall be consulted for a suitable gasket recommendation. Jay R. Smith assumes no liability for connections to fixtures which do not conform to these standards.

NOTE: Service weight regularly furnished on fittings above.
NOTE: Always specify fixture manufacturer's model name and number.

†REGULARLY FURNISHED



FIXTURE SUPPORTS

FIG. 0330Y VERTICAL FITTINGS FOR BLOWOUT WATER CLOSETS - SHALLOW ROUGH-IN TYPE

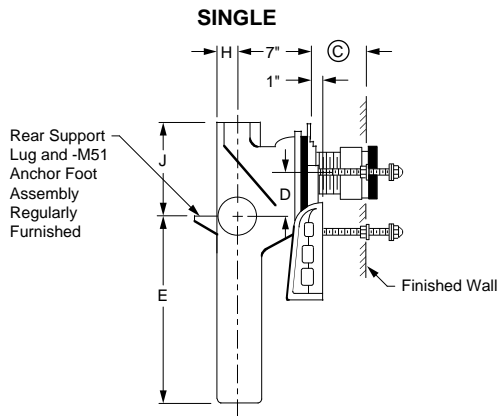


Fig. 0330Y
Side View

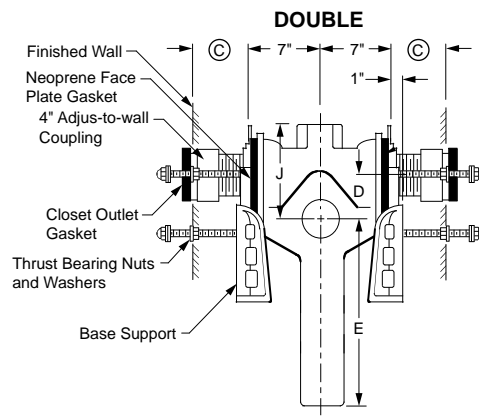


Fig. 0330DY
Side View

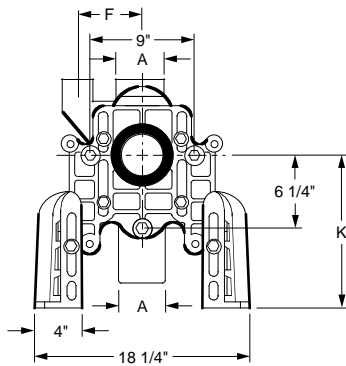


Fig. 0330Y
Front View

NOTE: Base support must be securely anchored to floor with four 1/2" bolts provided by contractor.

NOTE: 1 1/2" or 2" tapped inlet available.

NOTE: When used with concealed flush valve locate face plate behind supply pipe.

NOTE: © dimension = 4" (regularly furnished) consisting of nipple and Adjus-to-Wall coupling permitting adjustment from 3" min. to 4" max.

OUTLET TYPE	FIGURE NO.	TYPE OF FITTING	A PIPE SIZE			D		E	F	H	J	K		APPROX. WT. LBS.
			†04"	05"	06"	MIN	MAX					MIN	MAX	
NO-HUB	0330Y	Single	1,116.00			2 3/4"	5 1/2"	10"	5 1/4"	3"	9"	10 3/4"	15 3/4"	76
	0330DY	Double	1,933.00			2 3/4"	5 1/2"	10"	5 1/4"	3"	9"	10 3/4"	15 3/4"	122
	0330Y	Single		1,292.00		2 7/8"	5 3/4"	11 1/2"	6 1/4"	3 1/2"	11 1/2"	10 3/4"	15 3/4"	76
	0330DY	Double		2,062.00		2 7/8"	5 3/4"	11 1/2"	6 1/4"	3 1/2"	11 1/2"	10 3/4"	15 3/4"	122
	0330Y	Single			1,507.00	2 3/4"	5 1/2"	11 1/2"	6 1/4"	4"	11 1/2"	10 3/4"	15 3/4"	76
	0330DY	Double			2,277.00	2 3/4"	5 1/2"	11 1/2"	6 1/4"	4"	11 1/2"	10 3/4"	15 3/4"	122

The water closet gasket regularly furnished is made of molded neoprene and designed to fit water closet outlet dimensions and configurations shown in ANSI Standard A112.19.2M, Figure 13B. If gasket is not found to be compatible to fixture due to nonconformance of said fixture to ANSI A112.19.2M, then fixture manufacturer shall be consulted for a suitable gasket recommendation. Jay R. Smith assumes no liability for connections to fixtures which do not conform to these standards.

NOTE: Service weight regularly furnished on fittings above.
NOTE: Always specify fixture manufacturer's model name and number.



FIXTURE SUPPORTS

FIG. 0340, 0350, 0370, 0380 SERIES VERTICAL FITTINGS FOR BLOWOUT WATER CLOSETS WITH SIDE INLETS



FIXTURE SUPPORTS

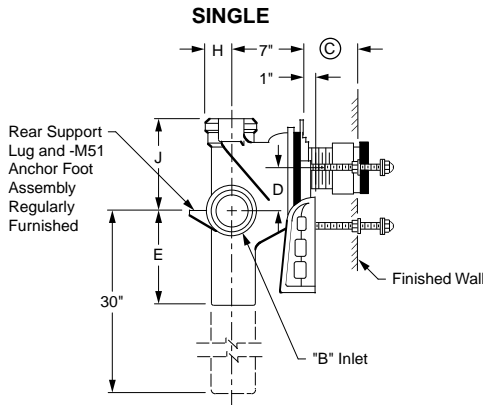


Fig. 0340
Side View

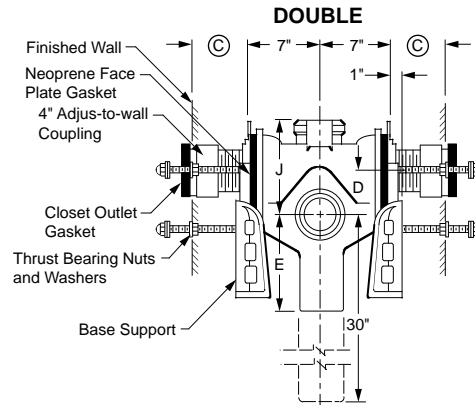


Fig. 0340D
Side View

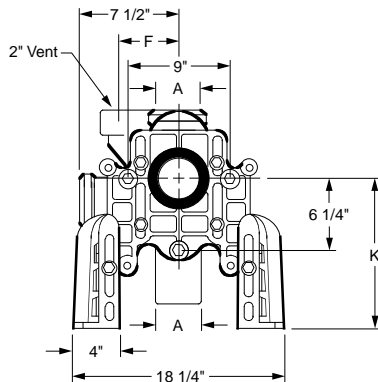


Fig. 0340
Front View

NOTE: Base support must be securely anchored to floor (with four 1/2" bolts provided by contractor).

NOTE: 1 1/2 or 2" NPT inlet available. Add suffix -N

NOTE: © dimension = 4" (regularly furnished) consisting of nipple and Adjus-to-Wall coupling permitting adjustment from 3" min. to 4" max.

The water closet gasket regularly furnished is made of molded neoprene and designed to fit water closet outlet in dimensions and configurations shown in ANSI Standard A112.19.2M, Figure 13B. If gasket is not found to be compatible to fixture due to nonconformance of said fixture to ANSI A112.19.2M, then fixture manufacturer shall be consulted for a suitable gasket recommendation. Jay R. Smith assumes no liability for connections to fixtures which do not conform to these standards.

OUTLET TYPE	FIGURE NO.	TYPE OF FITTING	A X B SIZE			D		E	F	H	J	K		APPROX. WT. LBS.
			+04" X 04"	05" X 04"	06" X 04"	MIN	MAX					MIN	MAX	
CAULK	0340L	Single-Left Hand with Side Hub Inlet	1,368.00			2 3/4"	5 1/2"	10"	5 1/4"	3"	9"	10 3/4"	15 3/4"	87
	0340R	Single-Right Hand with Side Hub Inlet	1,368.00			2 3/4"	5 1/2"	10"	5 1/4"	3"	9"	10 3/4"	15 3/4"	87
	0340D	Double-with Side Hub Inlet	2,126.00			2 3/4"	5 1/2"	10"	5 1/4"	3"	9"	10 3/4"	15 3/4"	139
	0340L	Single-Left Hand with Side Hub Inlet		1,553.00		2 7/8"	5 3/4"	11 1/2"	6 1/2"	3 1/2"	11 1/2"	10 3/4"	15 3/4"	87
	0340R	Single-Right Hand with Side Hub Inlet		1,553.00		2 7/8"	5 3/4"	11 1/2"	6 1/2"	3 1/2"	11 1/2"	10 3/4"	15 3/4"	87
	0340D	Double-with Side Hub Inlet		2,350.00		2 7/8"	5 3/4"	11 1/2"	6 1/2"	3 1/2"	11 1/2"	10 3/4"	15 3/4"	139
	0340L	Single-Left Hand with Side Hub Inlet			1,781.00	2 3/4"	5 1/2"	11 1/2"	6 1/4"	4"	11 1/2"	10 3/4"	15 3/4"	87
	0340R	Single-Right Hand with Side Hub Inlet			1,781.00	2 3/4"	5 1/2"	11 1/2"	6 1/4"	4"	11 1/2"	10 3/4"	15 3/4"	87
	0340D	Double-with Side Hub Inlet			2,576.00	2 3/4"	5 1/2"	11 1/2"	6 1/4"	4"	11 1/2"	10 3/4"	15 3/4"	139
	0350	Single-with Two Side Hub Inlets	1,485.00			2 3/4"	5 1/2"	10"	5 1/4"	3"	9"	10 3/4"	15 3/4"	100
	0350D	Double-with Two Side Hub Inlets	2,160.00			2 3/4"	5 1/2"	10"	5 1/4"	3"	9"	10 3/4"	15 3/4"	144
	0350	Single-with Two Side Hub Inlets		1,732.00		2 7/8"	5 3/4"	11 1/2"	6 1/2"	3 1/2"	11 1/2"	10 3/4"	15 3/4"	100
	0350D	Double-with Two Side Hub Inlets		2,528.00		2 7/8"	5 3/4"	11 1/2"	6 1/2"	3 1/2"	11 1/2"	10 3/4"	15 3/4"	144
	0350	Single-with Two Side Hub Inlets			1,958.00	2 3/4"	5 1/2"	11 1/2"	6 1/4"	4"	11 1/2"	10 3/4"	15 3/4"	100
	0350D	Double-with Two Side Hub Inlets			2,756.00	2 3/4"	5 1/2"	11 1/2"	6 1/4"	4"	11 1/2"	10 3/4"	15 3/4"	144
	0370L	Single-Left Hand with Side Hub Inlet-Long Barrel	1,368.00			2 3/4"	5 1/2"	10"	5 1/4"	3"	9"	10 3/4"	15 3/4"	116
	0370R	Single-Right Hand with Side Hub Inlet-Long Barrel	1,368.00			2 3/4"	5 1/2"	10"	5 1/4"	3"	9"	10 3/4"	15 3/4"	116
	0370D	Double-with Side Hub Inlet-Long Barrel	2,126.00			2 3/4"	5 1/2"	10"	5 1/4"	3"	9"	10 3/4"	15 3/4"	158
	0370L	Single-Left Hand with Side Hub Inlet-Long Barrel		3,199.00		2 7/8"	5 3/4"	11 1/2"	6 1/2"	3 1/2"	11 1/2"	10 3/4"	15 3/4"	116
	0370R	Single-Right Hand with Side Hub Inlet-Long Barrel		3,199.00		2 7/8"	5 3/4"	11 1/2"	6 1/2"	3 1/2"	11 1/2"	10 3/4"	15 3/4"	116
	0370D	Double-with Side Hub Inlet-Long Barrel		3,997.00		2 7/8"	5 3/4"	11 1/2"	6 1/2"	3 1/2"	11 1/2"	10 3/4"	15 3/4"	158
	0370L	Single-Left Hand with Side Hub Inlet-Long Barrel			3,717.00	2 3/4"	5 1/2"	11 1/2"	6 1/4"	4"	11 1/2"	10 3/4"	15 3/4"	116
	0370R	Single-Right Hand with Side Hub Inlet-Long Barrel			3,717.00	2 3/4"	5 1/2"	11 1/2"	6 1/4"	4"	11 1/2"	10 3/4"	15 3/4"	116
	0370D	Double-with Side Hub Inlet-Long Barrel			4,514.00	2 3/4"	5 1/2"	11 1/2"	6 1/4"	4"	11 1/2"	10 3/4"	15 3/4"	158
0380	Single-with Two Side Hub Inlets-Long Barrel	1,985.00			2 3/4"	5 1/2"	10"	5 1/4"	3"	9"	10 3/4"	15 3/4"	119	
0380D	Double-with Two Side Hub Inlets	2,778.00			2 3/4"	5 1/2"	10"	5 1/4"	3"	9"	10 3/4"	15 3/4"	163	
0380	Single-with Two Side Hub Inlets-Long Barrel		3,376.00		2 7/8"	5 3/4"	11 1/2"	6 1/2"	3 1/2"	11 1/2"	10 3/4"	15 3/4"	119	
0380D	Double-with Two Side Hub Inlets-Long Barrel		4,175.00		2 7/8"	5 3/4"	11 1/2"	6 1/2"	3 1/2"	11 1/2"	10 3/4"	15 3/4"	163	
0380	Single-with Two Side Hub Inlets-Long Barrel			3,893.00	2 3/4"	5 1/2"	11 1/2"	6 1/4"	4"	11 1/2"	10 3/4"	15 3/4"	119	
0380D	Double-with Two Side Hub Inlets-Long Barrel			4,691.00	2 3/4"	5 1/2"	11 1/2"	6 1/4"	4"	11 1/2"	10 3/4"	15 3/4"	163	

NOTE: Service weight regularly furnished on fittings above.
NOTE: Always specify fixture manufacturer's model name and number.



FIXTURE SUPPORTS

FIG. 0340Y, 0350Y SERIES VERTICAL FITTINGS FOR BLOWOUT WATER CLOSETS WITH SIDE INLETS

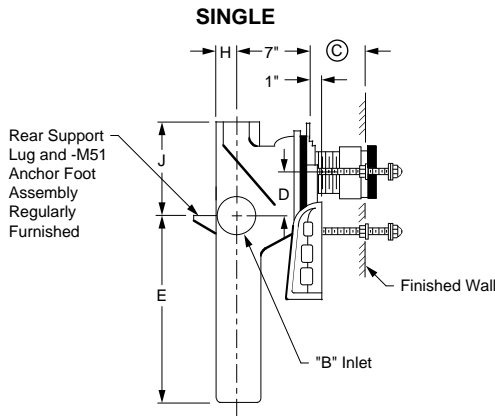


Fig. 0340Y
Side View

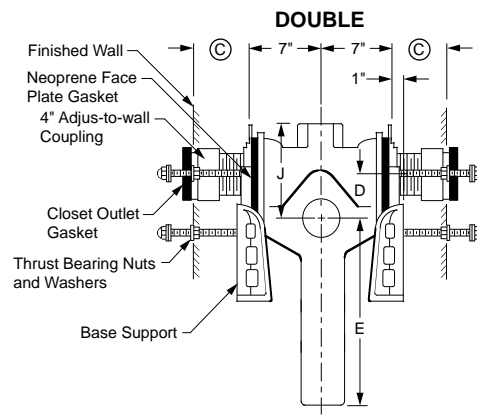


Fig. 0340DY
Side View

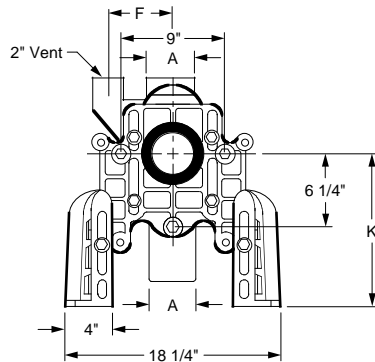


Fig. 0340Y
Front View

NOTE: Base support must be securely anchored to floor (with four 1/2" bolts provided by contractor).

NOTE: Centerline of stack to end of NO-HUB side inlet in 5".

NOTE: When used with concealed flush valve locate face plate behind supply pipe.

NOTE: © dimension = 4" (regularly furnished) consisting of nipple and Adjus-to-Wall coupling permitting adjustment from 3" min. to 4" max.

NOTE: 1 1/2" or 2" NPT inlet available. Add suffix -N

The water closet gasket regularly furnished is made of molded neoprene and designed to fit water closet outlet dimensions and configurations shown in ANSI Standard A112.19.2M, Figure 13B. If gasket is not found to be compatible to fixture due to nonconformance of said fixture to ANSI A112.19.2M, then fixture manufacturer shall be consulted for a suitable gasket recommendation. Jay R. Smith assumes no liability for connections to fixtures which do not conform to these standards.

OUTLET TYPE	FIGURE NO.	TYPE OF FITTING	†04" X 04"	A X B SIZE 05" X 04" OR 05"	06" X 04"	D		E	F	H	J	K		APPROX. WT. LBS.
						MIN	MAX					MIN	MAX	
NO-HUB	0340LY	Single-Left Hand with Side Inlet	1,243.00			2 3/4"	5 1/2"	10"	5 1/4"	3"	9"	10 3/4"	15 3/4"	76
	0340RY	Single-Right Hand with Side Inlet	1,243.00			2 3/4"	5 1/2"	10"	5 1/4"	3"	9"	10 3/4"	15 3/4"	76
	0340DY	Double-with Side Inlet	1,933.00			2 3/4"	5 1/2"	10"	5 1/4"	3"	9"	10 3/4"	15 3/4"	122
	0340LY	Single-Left Hand with Side Inlet		1,553.00		2 7/8"	5 3/4"	11 1/2"	6 1/2"	3 1/2"	11 1/2"	10 3/4"	15 3/4"	76
	0340RY	Single-Right Hand with Side Inlet		1,553.00		2 7/8"	5 3/4"	11 1/2"	6 1/2"	3 1/2"	11 1/2"	10 3/4"	15 3/4"	76
	0340DY	Double-with Side Inlet		2,350.00		2 7/8"	5 3/4"	11 1/2"	6 1/2"	3 1/2"	11 1/2"	10 3/4"	15 3/4"	122
	0340LY	Single-Left Hand with Side Inlet			1,682.00	2 3/4"	5 1/2"	11 1/2"	6 1/4"	4"	11 1/2"	10 3/4"	15 3/4"	76
	0340RY	Single-Right Hand with Side Inlet			1,682.00	2 3/4"	5 1/2"	11 1/2"	6 1/4"	4"	11 1/2"	10 3/4"	15 3/4"	76
	0340DY	Double-with Side Inlet			2,340.00	2 3/4"	5 1/2"	11 1/2"	6 1/4"	4"	11 1/2"	10 3/4"	15 3/4"	122
	0350Y	Single-with Two Side Inlets	1,352.00			2 3/4"	5 1/2"	10"	5 1/4"	3"	9"	10 3/4"	15 3/4"	76
	0350DY	Double-with Two Side Inlets	2,042.00			2 3/4"	5 1/2"	10"	5 1/4"	3"	9"	10 3/4"	15 3/4"	122
	0350Y	Single-with Two Side Inlets		1,732.00		2 7/8"	5 3/4"	11 1/2"	6 1/2"	3 1/2"	11 1/2"	10 3/4"	15 3/4"	76
	0350DY	Double-with Two Side Inlets		2,528.00		2 7/8"	5 3/4"	11 1/2"	6 1/2"	3 1/2"	11 1/2"	10 3/4"	15 3/4"	122
	0350Y	Single-with Two Side Inlets			1,708.00	2 3/4"	5 1/2"	11 1/2"	6 1/4"	4"	11 1/2"	10 3/4"	15 3/4"	76
	0350DY	Double-with Two Side Inlets			2,472.00	2 3/4"	5 1/2"	11 1/2"	6 1/4"	4"	11 1/2"	10 3/4"	15 3/4"	122

NOTE: Service weight regularly furnished on fittings above.
NOTE: Always specify fixture manufacturer's model name and number.



FIXTURE SUPPORTS

FIG. 0375, 0385 SERIES VERTICAL FITTINGS WITH SIDE INLETS FOR ELEVATED BLOWOUT WATER CLOSETS FOR WHEELCHAIR USERS



FIXTURE SUPPORTS

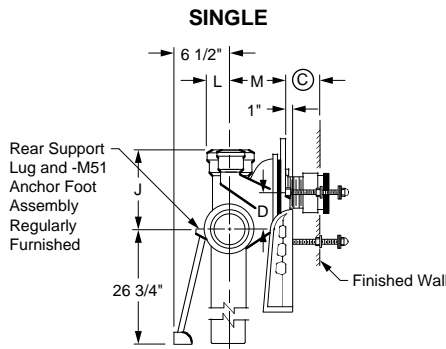


Fig. 0375
Side View

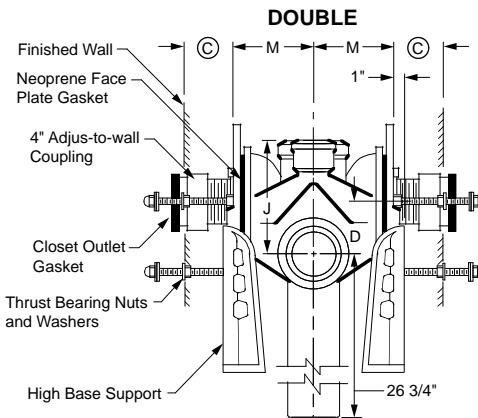


Fig. 0375D
Side View

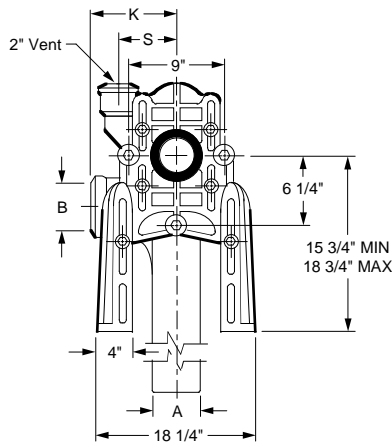


Fig. 0375
Front View

NOTE: Base support must be securely anchored to floor (with four 1/2" bolts provided by contractor).

NOTE: 1 1/2" or 2" NPT inlet available. Add suffix -N

NOTE: When used with concealed flush valve locate face plate behind supply pipe.

NOTE: © dimension = 4" (regularly furnished) consisting of nipple and Adjus-to-Wall coupling permitting adjustment from 3" min. to 4" max.

The water closet gasket regularly furnished is made of molded neoprene and designed to fit water closet outlet dimensions and configurations shown in ANSI Standard A112.19.2M, Figure 13B. If gasket is not found to be compatible to fixture due to nonconformance of said fixture to ANSI A112.19.2M, then fixture manufacturer shall be consulted for a suitable gasket recommendation. Jay R. Smith assumes no liability for connections to fixtures which do not conform to these standards.

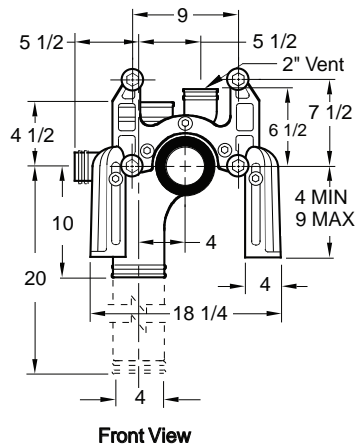
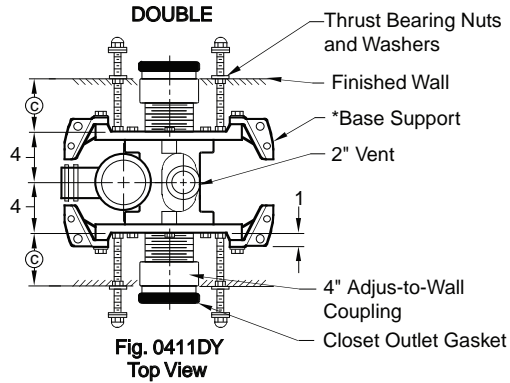
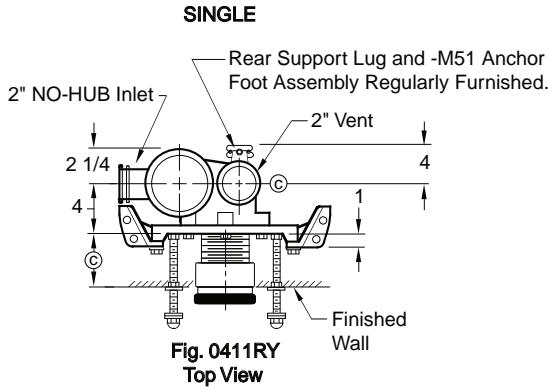
OUTLET TYPE	FIGURE NO.	TYPE OF FITTING	A X B SIZE †04" X 04"	D		J	K	L	M	S	APPROX. WT. LBS.
				MIN	MAX						
CAULK	0375L	Single-Left Hand Hi-set with Side Inlet	1,368.00	4 3/4"	8 3/4"	12 1/8"	7 1/2"	3"	7"	5 1/4"	110
	0375R	Single-Right Hand Hi-set with Side Inlet	1,368.00	4 3/4"	8 3/4"	12 1/8"	7 1/2"	3"	7"	5 1/4"	110
	0375D	Double- Hi-set with Side Inlet	1,727.00	4 3/4"	8 3/4"	12 1/8"	7 1/2"	3"	7"	5 1/4"	111
	0385	Single-Hi-set with Two Side Inlets	1,485.00	4 3/4"	8 3/4"	12 1/8"	7 1/2"	3"	7"	5 1/4"	50
	0385D	Double-Hi-set with Two Side Inlets	2,160.00	4 3/4"	8 3/4"	12 1/8"	7 1/2"	3"	7"	5 1/4"	141
NO-HUB	0375LY	Single-Left Hand Hi-set with Side Inlet	1,243.00	4 3/4"	8 3/4"	-	-	-	-	-	110
	0375RY	Single-Right Hand Hi-set with Side Inlet	1,243.00	4 3/4"	8 3/4"	-	-	-	-	-	110
	0375DY	Double- Hi-set with Side Inlet	1,933.00	4 3/4"	8 3/4"	-	-	-	-	-	111
	0385Y	Single-Hi-set with Two Side Inlets	1,352.00	4 3/4"	8 3/4"	-	-	-	-	-	50
	0385DY	Double-Hi-set with Two Side Inlets	2,042.00	4 3/4"	8 3/4"	-	-	-	-	-	141

NOTE: Service weight regularly furnished on fittings above.
NOTE: Always specify fixture manufacturer's model name and number.



FIXTURE SUPPORTS

FIG. 0410, 0411, 0417, 0419 SERIES COMPACT FIXTURE SUPPORTS WITH VERTICAL OFFSET FITTINGS FOR SIPHON JET WATER CLOSETS



***NOTE:** Base support must be securely anchored to floor (with four 1/2" bolts provided by contractor).

NOTE: When used with concealed flush valve locate face plate behind supply pipe.

NOTE: © dimension = 4" (regularly furnished) consisting of nipple and Adjus-to-Wall coupling permitting adjustment from 3" min. to 4" max.

The water closet gasket regularly furnished is made of molded neoprene and designed to fit water closet outlet dimensions and configurations shown in ANSI Standard A112.19.2M, Figure 13B. If gasket is not found to be compatible to fixture due to nonconformance of said fixture to ANSI A112.19.2M, then fixture manufacturer shall be consulted for a suitable gasket recommendation. Jay R. Smith assumes no liability for connections to fixtures which do not conform to these standards.

OUTLET TYPE	FIGURE NO.	TYPE OF FITTING	A SIZE †04**	G	J	APPROX. WT. LBS.
CAULK	0410L	Single Left Hand	902.00	8"	5 1/2"	70
	0410R	Single Right Hand	902.00	8"	5 1/2"	70
	0410D	Double	1,609.00	8"	5 1/2"	70
	0417L	Single Left Hand—Long Barrel	944.00	8"	5 1/2"	70
	0417R	Single Right Hand—Long Barrel	944.00	8"	5 1/2"	70
	0417D	Double—Long Barrel	1,609.00	8"	5 1/2"	96
	0419L	Single—Left Hand with One Sanitary Inlet—Long Barrel	1,158.00	8"	5 1/2"	79
	0419R	Single—Right Hand with One Sanitary Inlet—Long Barrel	1,158.00	8"	5 1/2"	79
	0419D	Double with One Sanitary Inlet—Long Barrel	1,865.00	8"	5 1/2"	96
NO-HUB	0410LY	Single Left Hand	902.00	10"	4 1/2"	70
	0410RY	Single Right Hand	902.00	10"	4 1/2"	70
	0410DY	Double	1,609.00	10"	4 1/2"	70
	0411LY	Single—Left Hand with One Sanitary Inlet	1,158.00	10"	4 1/2"	56
	0411RY	Single—Right Hand with One Sanitary Inlet	1,158.00	10"	4 1/2"	56
	0411DY	Double with One Sanitary Inlet	1,865.00	10"	4 1/2"	82
	0417LY	Single Left Hand—Long Barrel	902.00	10"	4 1/2"	70
	0417RY	Single Right Hand—Long Barrel	902.00	10"	4 1/2"	70
	0417DY	Double—Long Barrel	1,609.00	10"	4 1/2"	96
	0419LY	Single—Left Hand with One Sanitary Inlet—Long Barrel	1,158.00	10"	4 1/2"	52
	0419RY	Single—Right Hand with One Sanitary Inlet—Long Barrel	1,158.00	10"	4 1/2"	52
0419DY	Double—with One Sanitary Inlet—Long Barrel	1,865.00	10"	4 1/2"	82	

*Add \$209.00 for each additional auxiliary tapping.

NOTE: Service weight regularly furnished on fittings above.
NOTE: Always specify fixture manufacturer's model name and number.



FIXTURE SUPPORTS

FIG. 0415Y VERTICAL OFFSET FITTINGS FOR SIPHON JET WATER CLOSETS WITH SANITARY INLET



FIXTURE SUPPORTS

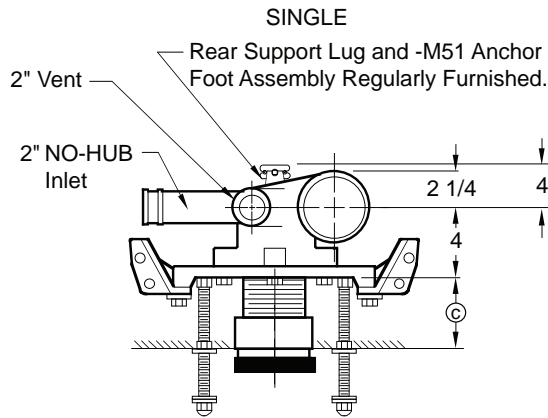


FIG 0415LY
Top View

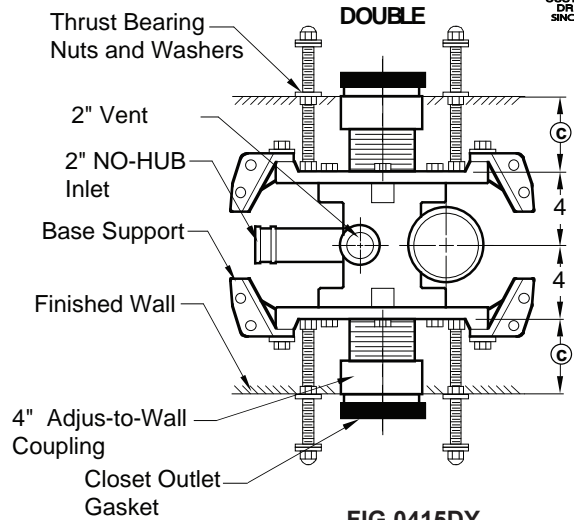
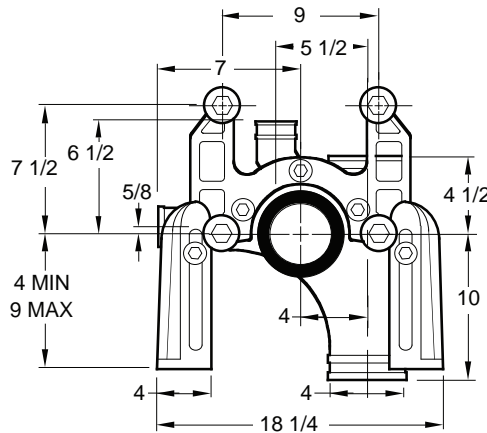


FIG 0415DY
Top View



Front View

NOTE: Base support must be securely anchored to floor (with four 1/2" bolts provided by contractor).

NOTE: When used with concealed flush valve locate face plate behind supply pipe.

NOTE: © dimension = 4" (regularly furnished) consisting of nipple and Adjus-to-Wall coupling permitting adjustment from 3" min. to 4" max.

NOTE: Side inlet 1 1/2" or 2" N.P.T. or 2" caulk (specify type and size).

The water closet gasket regularly furnished is made of molded neoprene and designed to fit water closet outlet dimensions and configurations shown in ANSI Standard A112.19.2M, Figure 13B. If gasket is not found to be compatible to fixture due to nonconformance of said fixture to ANSI A112.19.2M, then fixture manufacturer shall be consulted for a suitable gasket recommendation. Jay R. Smith assumes no liability for connections to fixtures which do not conform to these standards.

OUTLET TYPE	FIGURE NO.	TYPE OF FITTING	STACK SIZE †04**	APPROX. WT. LBS.
NO-HUB	0415LY	Single-Left Hand with One Sanitary Inlet	1,033.00	77
	0415RY	Single-Right Hand with One Sanitary Inlet	1,033.00	77
	0415DY	Double-with One Sanitary Inlet	1,620.00	101

*Add \$209.00 for each additional auxiliary tapping.

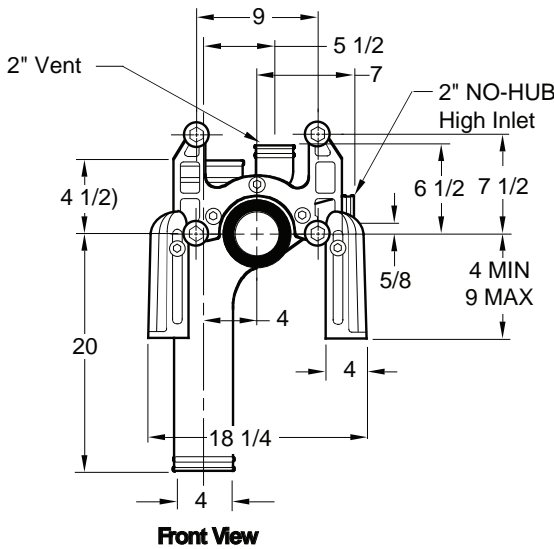
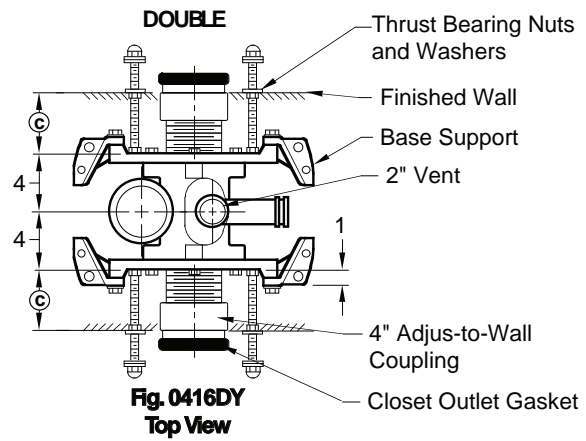
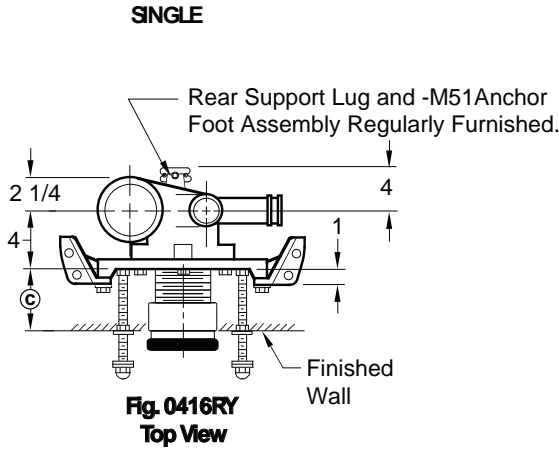
NOTE: Service weight regularly furnished on fittings above.
NOTE: Always specify fixture manufacturer's model name and number.

†REGULARLY FURNISHED



FIXTURE SUPPORTS

FIG. 0416Y VERTICAL FITTINGS FOR SIPHON JET WATER CLOSETS WITH SIDE INLET - RESIDENTIAL



NOTE: Base support must be securely anchored to floor (with four 1/2" bolts provided by contractor).

NOTE: When used with concealed flush valve locate face plate behind supply pipe.

NOTE: © dimension = 4" (regularly furnished) consisting of nipple and Adjus-to-Wall coupling permitting adjustment from 3" min. to 4" max.

The water closet gasket regularly furnished is made of molded neoprene and designed to fit water closet outlet dimensions and configurations shown in ANSI Standard A112.19.2M, Figure 13B. If gasket is not found to be compatible to fixture due to nonconformance of said fixture to ANSI A112.19.2M, then fixture manufacturer shall be consulted for a suitable gasket recommendation. Jay R. Smith assumes no liability for connections to fixtures which do not conform to these standards.

OUTLET TYPE	FIGURE NO.	TYPE OF FITTING	A SIZE †04"***	N	APPROX. WT. LBS.
NO-HUB	0416LY	Single-Left Hand with One High Sanitary Inlet on Vent Side	1,158.00	7 1/2"	53
	0416RY	Single-Right Hand with One High Sanitary Inlet on Vent Side	1,158.00	7 1/2"	53
	0416DY	Double-with One High Sanitary Inlet on Vent Side	1,865.00	7 1/2"	82

*Service Weight sized for No Hub. **Add \$209.00 for each additional auxiliary tapping.

NOTE: Service weight regularly furnished on fittings above.
NOTE: Always specify fixture manufacturer's model name and number.

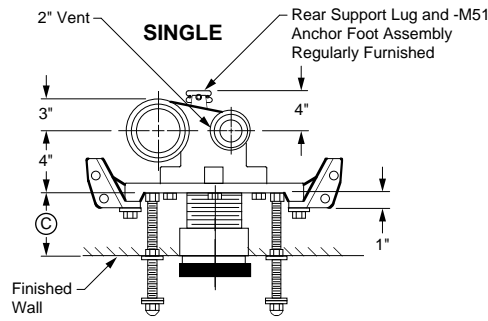


FIXTURE SUPPORTS

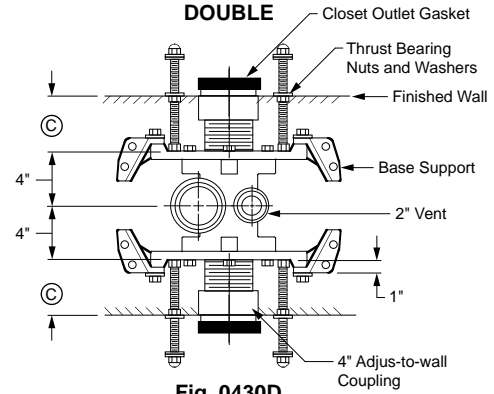
FIG. 0430, 0437 VERTICAL OFFSET FITTINGS FOR BLOWOUT WATER CLOSETS



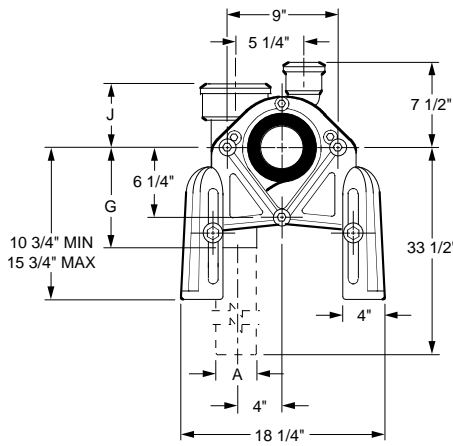
FIXTURE SUPPORTS



**Fig. 0430
Top View**



**Fig. 0430D
Top View**



**Fig. 0430
Front View**

NOTE: Base support must be securely anchored to floor (with four 1/2" bolts provided by contractor).

NOTE: When used with concealed flush valve locate face plate behind supply pipe.

NOTE: © dimension = 4" (regularly furnished) consisting of nipple and Adjus-to-Wall coupling permitting adjustment from 3" min. to 4" max.

OUTLET TYPE	FIGURE NO.	TYPE OF FITTING	A SIZE †04"*	G	J	APPROX. WT. LBS.
CAULK	0430L	Single-Left Hand	944.00	8"	5 1/2"	70
	0430R	Single-Right Hand	944.00	8"	5 1/2"	70
	0430D	Double	1,609.00	8"	5 1/2"	70
	0437L	Single-Left Hand-Long Barrel	944.00	8"	5 1/2"	70
	0437R	Single-Right Hand-Long Barrel	944.00	8"	5 1/2"	70
NO-HUB	0430LY	Single-Left Hand	944.00	10"	4 1/2"	70
	0430RY	Single-Right Hand	944.00	10"	4 1/2"	70
	0430DY	Double	1,609.00	10"	4 1/2"	70
	0437LY	Single-Left Hand-Long Barrel	944.00	10"	4 1/2"	70
	0437RY	Single-Right Hand-Long Barrel	944.00	10"	4 1/2"	70
	0437DY	Double-Long Barrel	1,609.00	10"	4 1/2"	96

*Add \$209.00 for each additional auxiliary tapping.

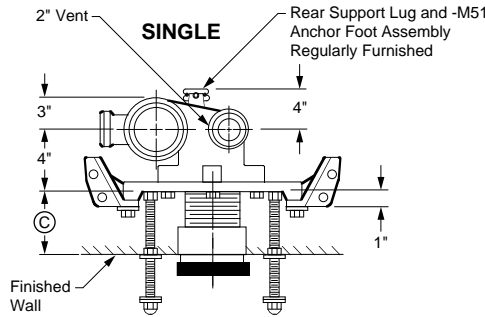
NOTE: Service weight regularly furnished on fittings above.
NOTE: Always specify fixture manufacturer's model name and number.

†REGULARLY FURNISHED

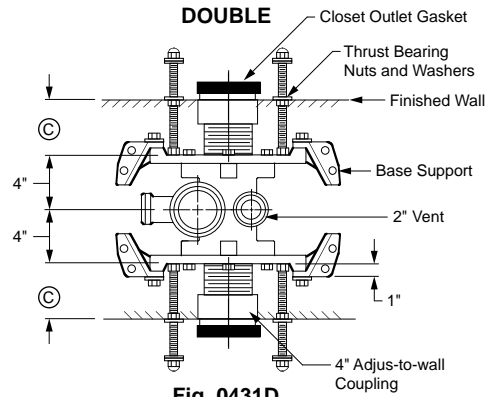


FIXTURE SUPPORTS

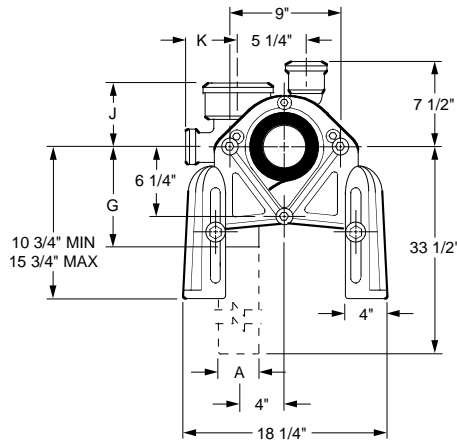
FIG. 0431 VERTICAL OFFSET FITTINGS FOR BLOWOUT WATER CLOSETS WITH SANITARY SWEEP INLET



**Fig. 0431
Top View**



**Fig. 0431D
Top View**



**Fig. 0431
Front View**

NOTE: Base support must be securely anchored to floor (with four 1/2" bolts provided by contractor).

NOTE: When used with concealed flush valve locate face plate behind supply pipe.

NOTE: © dimension = 4" (regularly furnished) consisting of nipple and Adjus-to-Wall coupling permitting adjustment from 3" min. to 4" max.

NOTE: Side inlet 1 1/2" or 2" N.P.T. or 2" caulk (specify type and size)

OUTLET TYPE	FIGURE NO.	TYPE OF FITTING	A SIZE †04"*	G	J	K	APPROX. WT. LBS.
CAULK	0431L	Single-Left Hand with One Sanitary Inlet	944.00	8"	5 1/2"	7"	56
	0431R	Single-Right Hand with One Sanitary Inlet	944.00	8"	5 1/2"	7"	56
	0431D	Double with One Sanitary Inlet	1,620.00	8"	5 1/2"	7"	82
NO-HUB	0431LY	Single-Left Hand with One Sanitary Inlet	944.00	8"	4 1/2"	5 1/2"	56
	0431RY	Single-Right Hand with One Sanitary Inlet	944.00	8"	4 1/2"	5 1/2"	56
	0431DY	Double with One Sanitary Inlet	1,620.00	8"	4 1/2"	5 1/2"	82

*Add \$209.00 for each additional auxiliary tapping.

NOTE: Service weight regularly furnished on fittings above.
NOTE: Always specify fixture manufacturer's model name and number.



FIXTURE SUPPORTS

FIG. 0440, 0447, 0450, 0457 SERIES HUB & SPIGOT VERTICAL CENTER LINE FITTINGS FOR SIPHON JET WATER CLOSETS

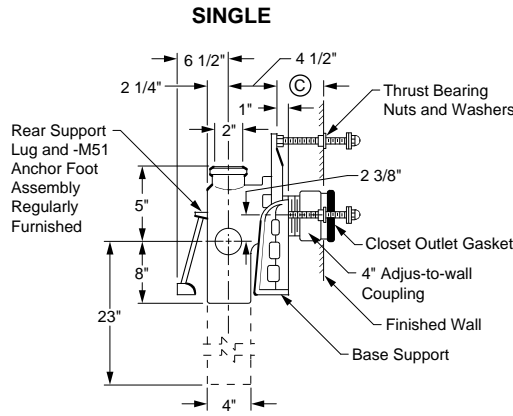


Fig. 0440
Side View

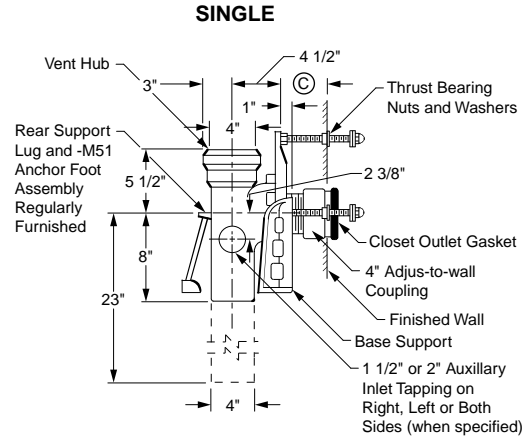


Fig. 0450
Side View

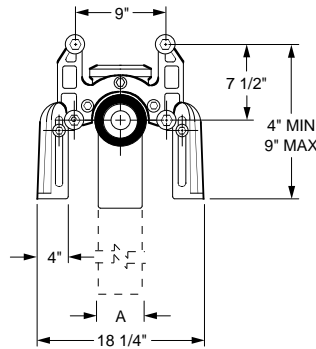


Fig. 0440, 0450
Front View

NOTE: Base support must be securely anchored to floor (with four 1/2" bolts provided by contractor).

NOTE: When used with concealed flush valve locate face plate behind supply pipe.

NOTE: © dimension = 4" (regularly furnished) consisting of nipple and Adjus-to-Wall coupling permitting adjustment from 3" min. to 4" max.

OUTLET TYPE	FIGURE NO.	TYPE OF FITTING	A SIZE †04"*	APPROX. WT. LBS.
CAULK	0440	Single-with Vent-Short Barrel	877.00	38
	0447	Single-with 2" Vent-Long Barrel	877.00	58
	0450	Single-with 4" Vent-Short Barrel	877.00	41
	0457	Single-with 4" Vent-Long Barrel	877.00	61

*Add \$209.00 for each additional auxiliary tapping.

NOTE: Service weight regularly furnished on fittings above.
NOTE: Always specify fixture manufacturer's model name and number.

†REGULARLY FURNISHED



FIXTURE SUPPORTS

FIG. 0440Y, 0447Y, 0450Y, 0457Y SERIES VERTICAL CENTER LINE FITTINGS FOR SIPHON JET WATER CLOSETS

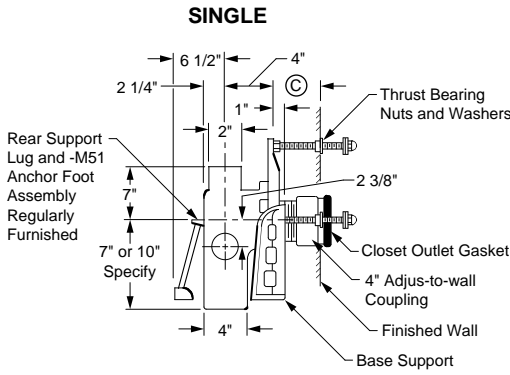


Fig. 0440Y
Side View

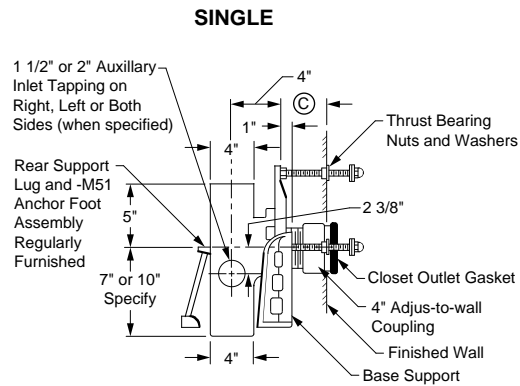


Fig. 0450Y
Side View

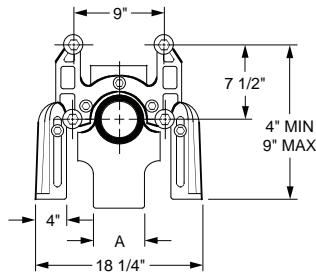


Fig. 0440Y, 0450Y
Front View

NOTE: Base support must be securely anchored to floor (with four 1/2" bolts provided by contractor).

NOTE: When used with concealed flush valve locate face plate behind supply pipe.

NOTE: © dimension = 4" (regularly furnished) consisting of nipple and Adjus-to-Wall coupling permitting adjustment from 3" min. to 4" max.

NOTE: When required a 2" NO-HUB Aux. Inlet adaptor is available. Specify Suffix -NY

OUTLET TYPE	FIGURE NO.	TYPE OF FITTING	A SIZE †04"*	APPROX. WT. LBS.
NO-HUB	0440Y	Single-with 2" Vent-Short Barrel	877.00	38
	0447Y	Single-with 2" Vent-Long Barrel	877.00	58
	0450Y	Single-with 4" Vent-Short Barrel	877.00	41
	0457Y	Single-with 4" Vent-Long Barrel	877.00	61

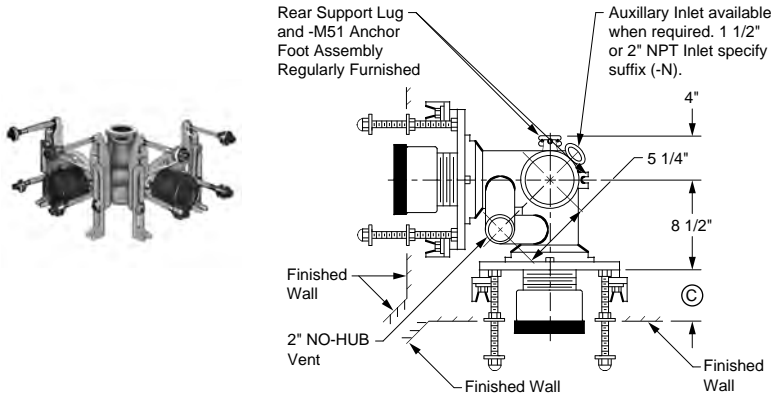
*Add \$209.00 for each additional auxiliary tapping.

NOTE: Service weight regularly furnished on fittings above.
NOTE: Always specify fixture manufacturer's model name and number.

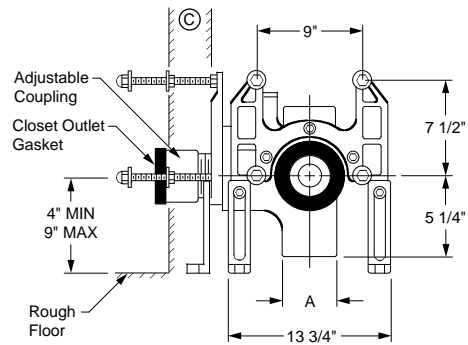


FIXTURE SUPPORTS

FIG. 0444, 0444Y, VERTICAL CENTER LINE FITTINGS FOR SIPHON JET WATER CLOSETS AT RIGHT ANGLES



**Fig. 0444Y
Top View**



**Fig. 0444Y
Front View**

OUTLET TYPE	FIGURE NO.	TYPE OF FITTING	A SIZE †04"*	APPROX. WT. LBS.
CAULK	0444	Double-90° with 2" Vent-Short Barrel	2,690.00	77
NO-HUB	0444Y	Double-90° with 2" Vent-Short Barrel	2,690.00	77

*Add \$209.00 for each additional auxiliary tapping.

120° Angle Support Available, Contact Smith Sales Engineering Dept.

NOTE: Base support must be securely anchored to floor (with four 1/2" bolts provided by contractor).

NOTE: When used with concealed flush valve locate face plate behind supply pipe.

NOTE: © dimension = 4" (regularly furnished) consisting of nipple and Adjust-to-Wall coupling permitting adjustment from 3" min. to 4" max.

The water closet gasket regularly furnished is made of molded neoprene and designed to fit water closet outlet dimensions and configurations shown in ANSI Standard A112.19.2M, Figure 13B. If gasket is not found to be compatible to fixture due to nonconformance of said fixture to ANSI A112.19.2M, then fixture manufacturer shall be consulted for a suitable gasket recommendation. Jay R. Smith assumes no liability for connections to fixtures which do not conform to these standards.

NOTE: Service weight regularly furnished on fittings above.
NOTE: Always specify fixture manufacturer's model name and number.

†REGULARLY FURNISHED



FIXTURE SUPPORTS

FIG. 0480, 0490 VERTICAL CENTER LINE FITTINGS FOR BLOWOUT WATER CLOSETS

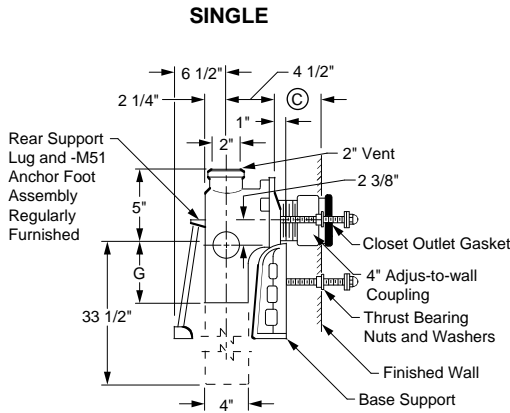


Fig. 0480
Side View

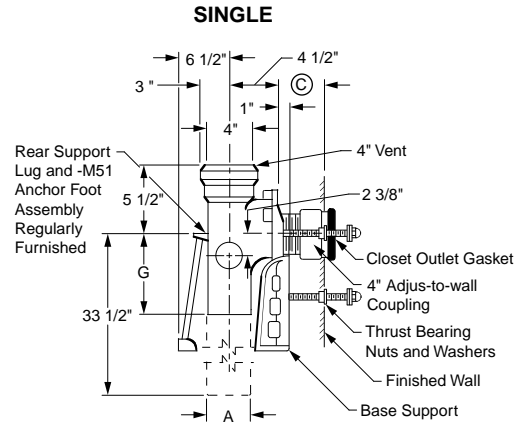


Fig. 0490
Side View

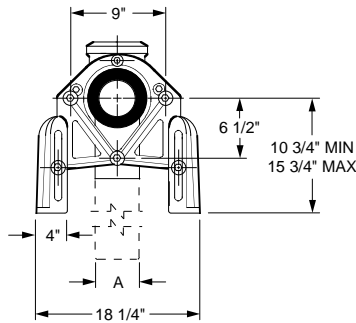


Fig. 0490
Front View

NOTE: Base support must be securely anchored to floor (with four 1/2" bolts provided by contractor).

NOTE: When used with concealed flush valve locate face plate behind supply pipe.

NOTE: © dimension = 4" (regularly furnished) consisting of nipple and Adjust-to-Wall coupling permitting adjustment from 3" min. to 4" max.

NOTE: Side inlet 1 1/2" or 2" N.P.T. or 2" caulk (specify type and size).

The water closet gasket regularly furnished is made of molded neoprene and designed to fit water closet outlet dimensions and configurations shown in ANSI Standard A112.19.2M, Figure 13B. If gasket is not found to be compatible to fixture due to nonconformance of said fixture to ANSI A112.19.2M, then fixture manufacturer shall be consulted for a suitable gasket recommendation. Jay R. Smith assumes no liability for connections to fixtures which do not conform to these standards.

OUTLET TYPE	FIGURE NO.	TYPE OF FITTING	A SIZE †04"*	G	APPROX. WT. LBS.
CAULK	0480	Single—with 2" Vent—Short Barrel	877.00	8"	38
	0490	Single—with 4" Vent—Short Barrel	877.00	8"	41
NO-HUB	0480Y	Single—with 2" Vent—Short Barrel	877.00	10"	38
	0490Y	Single—with 4" Vent—Short Barrel	877.00	10"	41

*Add \$209.00 for each additional auxiliary tapping.

NOTE: Service weight regularly furnished on fittings above.
NOTE: Always specify fixture manufacturer's model name and number.

†REGULARLY FURNISHED



FIXTURE SUPPORTS

FIG. 0484, 0484Y, VERTICAL CENTER LINE FITTINGS FOR BLOWOUT WATER CLOSETS AT RIGHT ANGLES

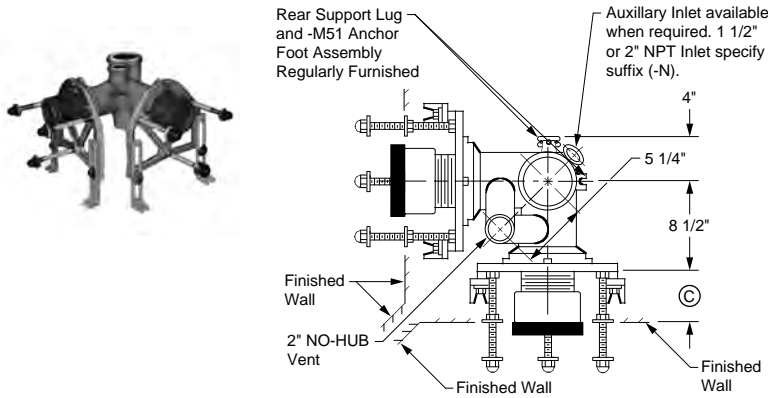


Fig. 0484Y
Top View

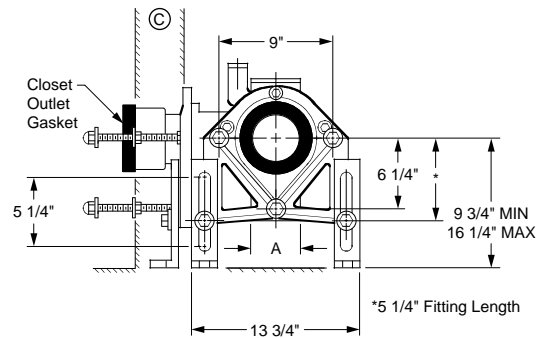


Fig. 0484Y
Front View

120° Angle Support Available,
Contact Smith Sales
Engineering Dept.

NOTE: Base support must be
securely anchored to floor (with
four 1/2" bolts provided by
contractor).

NOTE: When used with
concealed flush valve locate
face plate behind supply pipe.

NOTE: © dimension = 4"
(regularly furnished) consisting
of nipple and Adjus-to-Wall
coupling permitting adjustment
from 3" min. to 4" max.

The water closet gasket
regularly furnished is made of
molded neoprene and designed
to fit water closet outlet
dimensions and configurations
shown in ANSI Standard
A112.19.2M, Figure 13B. If
gasket is not found to be
compatible to fixture due to
nonconformance of said fixture
to ANSI A112.19.2M, then
fixture manufacturer shall be
consulted for a suitable gasket
recommendation. Jay R. Smith
assumes no liability for
connections to fixtures which do
not conform to these standards.

OUTLET TYPE	FIGURE NO.	TYPE OF FITTING	A SIZE †04**	APPROX. WT. LBS.
CAULK	0484	Double-90° with 2" Vent-Short Barrel	2,496.00	77
NO-HUB	0484Y	Double-90° with 2" Vent-Short Barrel	2,496.00	77

*Add \$209.00 for each additional auxiliary tapping.

NOTE: Service weight regularly furnished on fittings above.
NOTE: Always specify fixture manufacturer's model name and number.

†REGULARLY FURNISHED



FIXTURE SUPPORTS

FIG. 0487, 0487Y, 0497, 0497Y SERIES VERTICAL CENTER LINE FITTINGS FOR BLOWOUT WATER CLOSETS

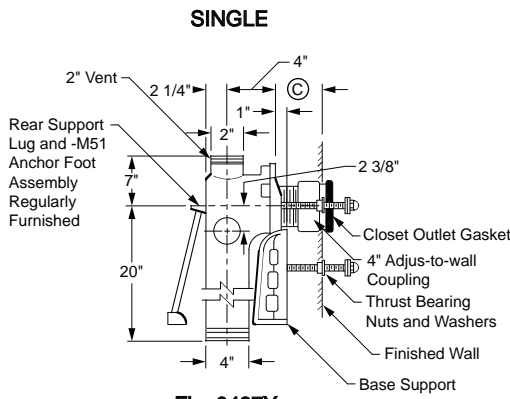


Fig. 0487Y
Side View

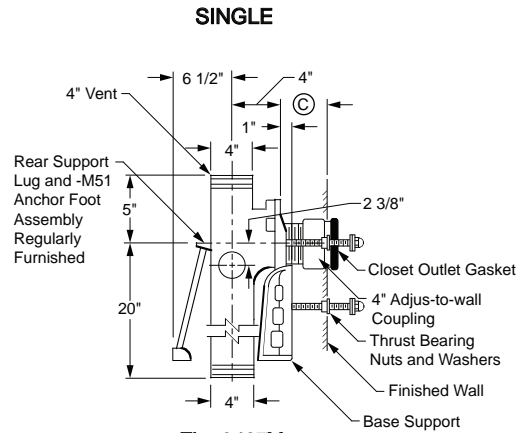


Fig. 0497Y
Side View

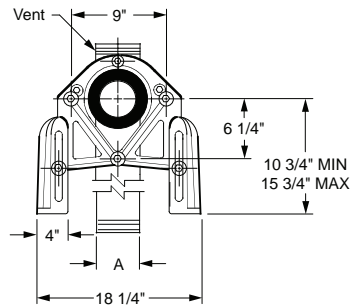


Fig. 0487Y, 0497Y
Front View

NOTE: Base support must be securely anchored to floor (with four 1/2" bolts provided by contractor).

NOTE: When used with concealed flush valve locate face plate behind supply pipe.

NOTE: © dimension = 4" (regularly furnished) consisting of nipple and Adjust-to-Wall coupling permitting adjustment from 3" min. to 4" max.

NOTE: Side inlet 1 1/2" or 2" N.P.T. or 2" caulk (specify type and size).

NOTE: When required a 2" NO-HUB Aux. Inlet adaptor is available. Specify Suffix -NY

The water closet gasket regularly furnished is made of molded neoprene and designed to fit water closet outlet dimensions and configurations shown in ANSI Standard A112.19.2M, Figure 13B. If gasket is not found to be compatible to fixture due to nonconformance of said fixture to ANSI A112.19.2M, then fixture manufacturer shall be consulted for a suitable gasket recommendation. Jay R. Smith assumes no liability for connections to fixtures which do not conform to these standards.

OUTLET TYPE	FIGURE NO.	TYPE OF FITTING	A SIZE †04**	APPROX. WT. LBS.
CAULK	0487	Single—with 2" Vent—Long Barrel	877.00	58
	0497	Single—with 4" Vent—Long Barrel	877.00	61
NO-HUB	0487Y	Single—with 2" Vent—Long Barrel	877.00	58
	0497Y	Single—with 4" Vent—Long Barrel	877.00	61

*Add \$209.00 for each additional auxiliary tapping.

NOTE: Service weight regularly furnished on fittings above.
NOTE: Always specify fixture manufacturer's model name and number.



FIXTURE SUPPORTS

FIG. 0532, 0533, 0542, 0544, RESIDENTIAL FIXTURE SUPPORTS FOR SIPHON JET WATER CLOSETS WITH VERTICAL CENTER LINE FITTINGS



FIXTURE SUPPORTS

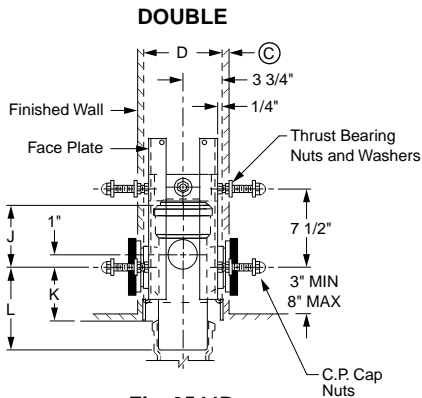


Fig. 0544D
Side View

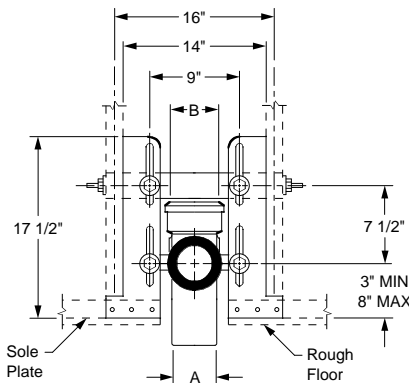


Fig. 0544
Front View

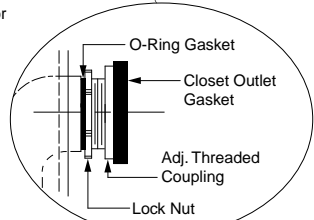
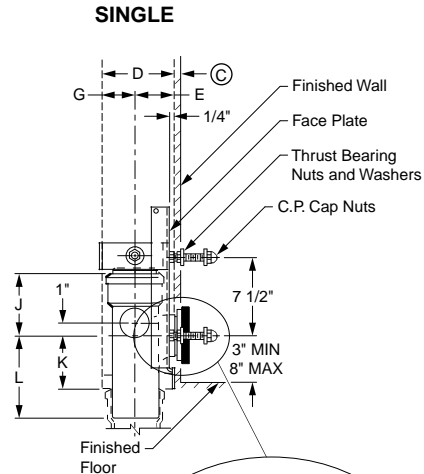


Fig. 0544
Side View

NOTE: Coupling should extend 5/16" beyond finished wall.

NOTE: Longer closet studs and couplings available when required.

© 1" MIN to 1 1/4" MAX regularly furnished. Other dimensions available upon request.

OUTLET TYPE	FIGURE NO.	TYPE OF FITTING	STUD MOUNT	A SIZE	B SIZE	D STUD	E	G	J	K	L	APPROX. WT. LBS.
CAULK	0532	Single-3" Inlet & Outlet with 2" Vent Conn	482.00	03"	02"	2 x 6"	3 1/2"	1 3/4"	5 1/4"	5 1/4"	8"	25
	0533	Single-3" Inlet & Outlet with 3" Vent Conn	482.00	03"	03"	2 x 6"	3 1/2"	1 3/4"	6"	5 1/4"	8"	27
	0542	Single-4" Inlet & Outlet with 2" Vent Conn	663.00	04"	02"	2 x 8"	3 1/2"	3 1/2"	5 1/4"	5"	8"	27
	0544	Single-4" Inlet & Outlet with 4" Vent Conn	663.00	04"	04"	2 x 8"	3 1/2"	3 1/2"	6"	5"	8"	29
	0544D	Double-4" Inlet & Outlet	1,133.00	04"	04"	2 x 8"	-	-	6"	5"	8"	46

NOTE: Always specify fixture manufacturer's model name and number.



FIXTURE SUPPORTS

FIG. 0532Y, 0533Y, 0542Y, 0544Y, RESIDENTIAL FIXTURE SUPPORTS FOR SIPHON JET WATER CLOSETS WITH VERTICAL CENTER LINE FITTINGS

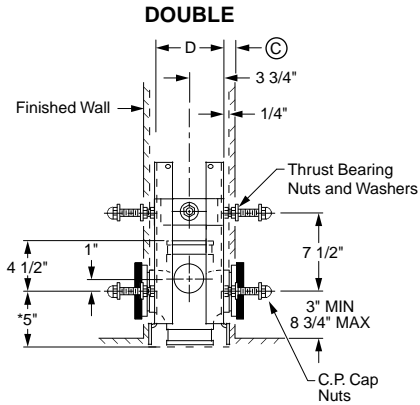


Fig. 0544DY
Side View

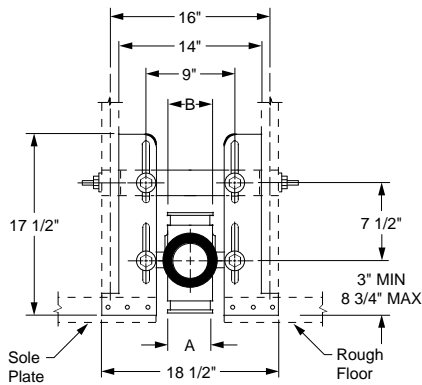


Fig. 0544Y
Front View

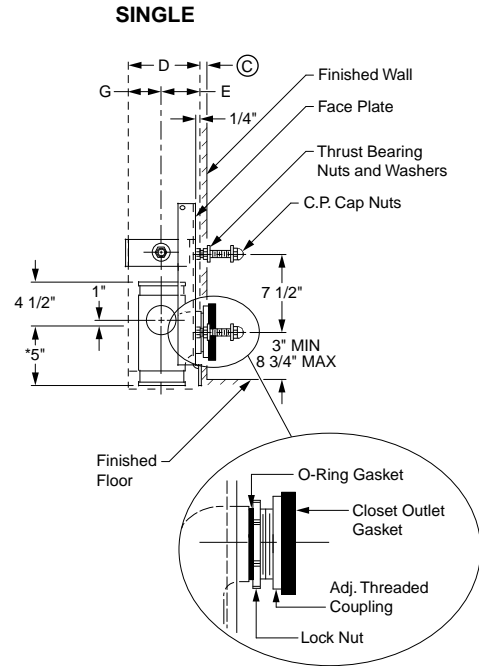


Fig. 0544Y
Side View

NOTE: Coupling should extend 5/16" beyond finished wall.

NOTE: Longer closet studs and couplings available when required.

© 1" MIN to 1 1/4" MAX regularly furnished. Other dimensions available upon request.

OUTLET TYPE	FIGURE NO.	TYPE OF FITTING	STUD MOUNT	A SIZE	B SIZE	D STUD	E	G	APPROX. WT. LBS.
NO-HUB	0532Y	Single-3" Inlet & Outlet with 2" Vent Conn	877.00	03"	02"	2 x 6"	3 1/2"	1 3/4"	25
	0533Y	Single-3" Inlet & Outlet with 3" Vent Conn	877.00	03"	03"	2 x 6"	3 1/2"	1 3/4"	27
	0542Y	Single-4" Inlet & Outlet with 2" Vent Conn	877.00	04"	02"	2 x 8"	3 1/2"	3 1/2"	27
	0544Y	Single-4" Inlet & Outlet with 4" Vent Conn	877.00	04"	04"	2 x 8"	3 1/2"	3 1/2"	29
	0544DY	Double-4" Inlet & Outlet	1,272.00	04"	04"	2 X 8"	-	-	46

NOTE: Always specify fixture manufacturer's model name and number.



FIXTURE SUPPORTS

FIG. 0532F, 0533F, 0542F, 0544F, RESIDENTIAL FIXTURE SUPPORTS FOR SIPHON JET WATER CLOSETS WITH VERTICAL CENTER LINE FITTINGS



FIXTURE SUPPORTS

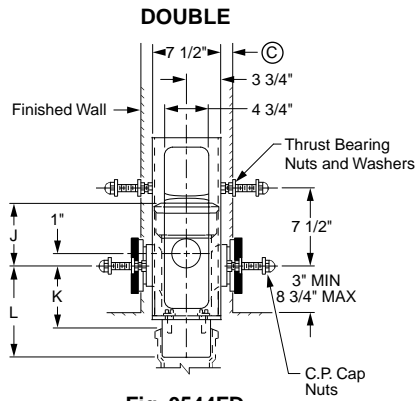


Fig. 0544FD
Side View

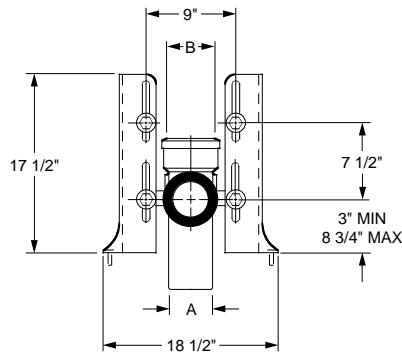


Fig. 0544F
Front View

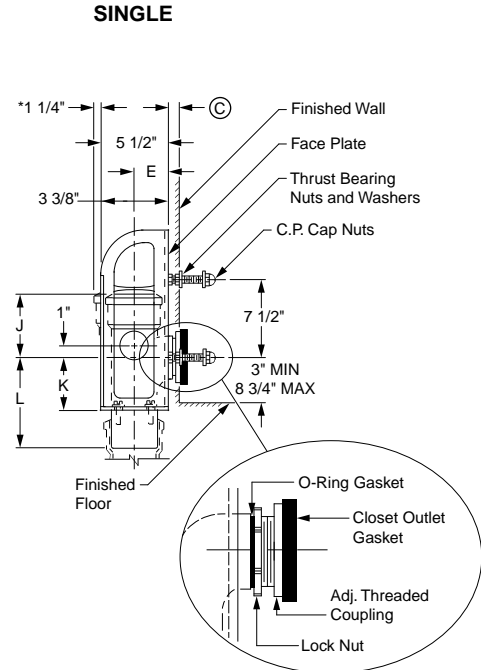


Fig. 0533F
Side View

* Hub extends beyond frame 1 1/4" for 4" cast iron hub.

NOTE: Coupling should extend 5/16" beyond finished wall.

NOTE: Longer closet studs and couplings available when required.

© 1" MIN to 1 1/4" MAX regularly furnished. Other dimensions available upon request.

OUTLET TYPE	FIGURE NO.	TYPE OF FITTING	FLOOR MOUNT*	A SIZE	B SIZE	E	J	K	L	APPROX. WT. LBS.
CAULK	0532F	Single-3" Inlet & Outlet with 2" Vent Conn	877.00	03"	02"	3"	5 1/4"	5 1/4"	8"	50
	0533F	Single-3" Inlet & Outlet with 3" Vent Conn	877.00	03"	03"	3"	6"	5 1/4"	8"	52
	0542F	Single-4" Inlet & Outlet with 2" Vent Conn	877.00	04"	02"	3 1/2"	5 1/4"	5"	8"	51
	0544F	Single-4" Inlet & Outlet with 4" Vent Conn	877.00	04"	04"	3 1/2"	6"	5"	8"	54
	0544FD	Double-4" Inlet & Outlet	1,272.00	04"	04"	-	6"	5"	8"	73

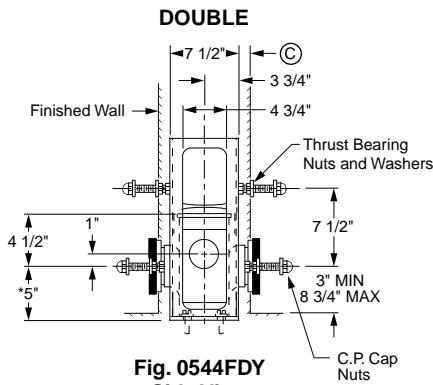
* Floor mount series may also be used in commercial applications where applicable.

NOTE: Always specify fixture manufacturer's model name and number.

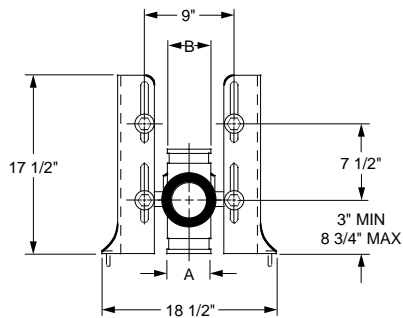


FIXTURE SUPPORTS

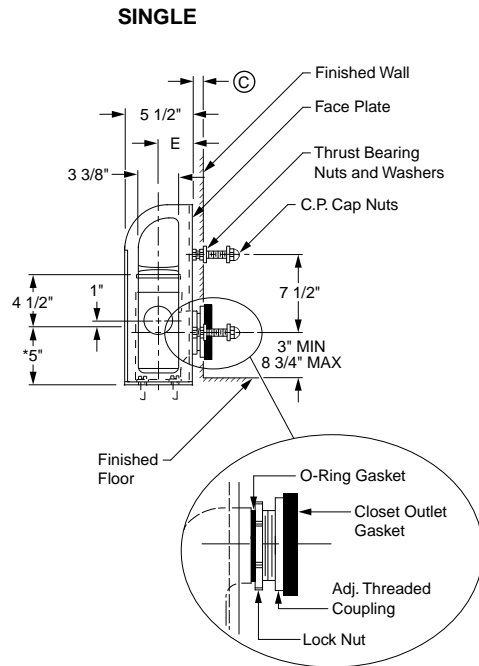
FIG. 0532FY, 0533FY, 0542FY, 0544FY, RESIDENTIAL FIXTURE SUPPORTS FOR SIPHON JET WATER CLOSETS WITH VERTICAL CENTER LINE FITTINGS



**Fig. 0544FDY
Side View**



**Fig. 0544FY
Front View**



**Fig. 0544FY
Side View**

* Hub extends beyond frame 1 1/4" for 4" cast iron hub.

OUTLET TYPE	FIGURE NO.	TYPE OF FITTING	FLOOR MOUNT*	A SIZE	B SIZE	E	APPROX. WT. LBS.
NO-HUB	0532FY	Single-3" Inlet & Outlet with 2" Vent Conn	87.00	03"	02"	3"	50
	0533FY	Single-3" Inlet & Outlet with 3" Vent Conn	87.00	03"	03"	3"	52
	▲ 0542FY	Single-4" Inlet & Outlet with 2" Vent Conn	87.00	04"	02"	3 1/2"	51
	▲ 0544FY	Single-4" Inlet & Outlet with 4" Vent Conn	87.00	04"	04"	3 1/2"	54
	▲ 0544FDY	Double-4" Inlet & Outlet	1,272.00	04"	04"	-	73

* Floor mount series may also be used in commercial applications where applicable.

*NOTE: 5" dimension is to bottom of fitting.

NOTE: Coupling should extend 5/16" beyond finished wall.

NOTE: Longer closet studs and couplings available when required.

© 1" MIN to 1 1/4" MAX regularly furnished. Other dimensions available upon request.

▲NOTE: Back of fitting extends beyond frame 1/4" for 4" sizes. Recommend use with 2 x 8 studs only.

NOTE: Always specify fixture manufacturer's model name and number.



FIXTURE SUPPORTS

FIG. 0548 RESIDENTIAL FIXTURE SUPPORTS FOR SIPHON JET WATER CLOSETS ADAPTER TYPE WITHOUT FITTINGS



FIXTURE SUPPORTS

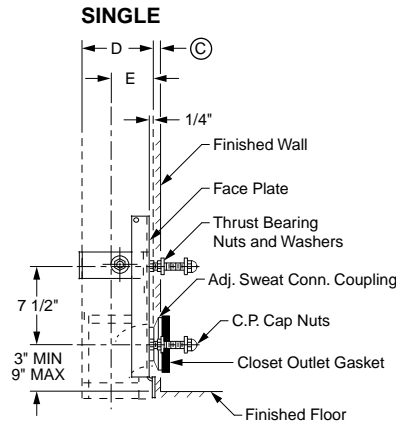
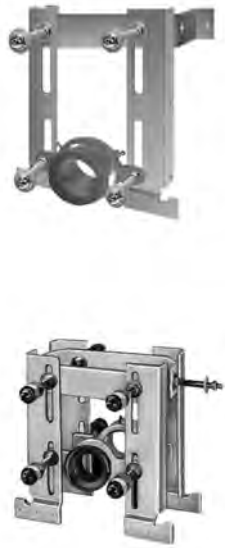


Fig. 0548
Side View

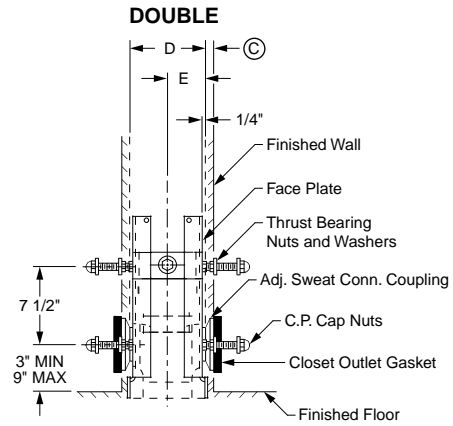


Fig. 0548D
Side View

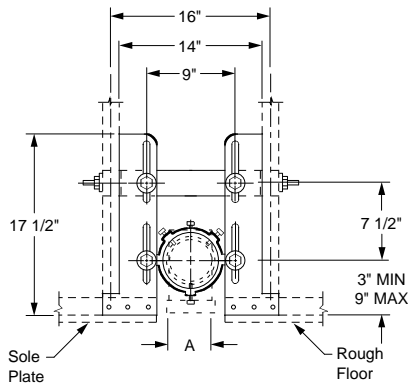


Fig. 0548
Front View

NOTE: Coupling should extend 5/16" beyond finished wall.

NOTE: Longer closet studs and couplings available when required.

© 1/2" MIN to 1 1/4" MAX regularly furnished.

OUTLET TYPE	FIGURE NO.	TYPE OF FITTING	STUD MOUNT	A SIZE	D STUD	E	APPROX. WT. LBS.
CAULK	0548-3	Single-3" Copper Sweat Connection	411.00	03"	2 x 6"	4"	17
	0548-4	Single-4" Copper Sweat Connection	513.00	04"	2 x 8"	5"	19
	0548D3	Double-3" Copper Sweat Connection	755.00	03"	2 x 8"	-	34
	0548P	Single-3" Plastic Connection	411.00	03"	2 x 8"	4 1/2"	18
	0548DP	Double-3" Plastic Connection	755.00	03"	2 x 10"	-	34

NOTE: Always specify fixture manufacturer's model name and number.



FIXTURE SUPPORTS

FIG. 0548F RESIDENTIAL SUPPORTS FOR SIPHON JET WATER CLOSETS ADAPTER TYPE WITHOUT FITTINGS

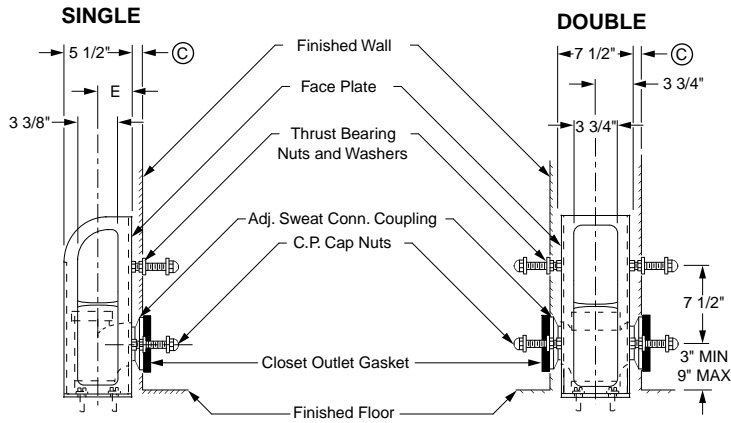


Fig. 0548F
Side View

Fig. 0548FD
Side View

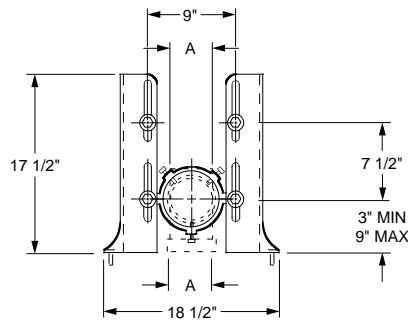


Fig. 0548F
Front View

NOTE: Coupling should extend 5/16" beyond finished wall.

NOTE: Longer closet studs and couplings available when required.

© 1/2" MIN to 1 1/4" MAX regularly furnished.

▲NOTE: Back of fitting extends beyond frame 1/2" for 4" sizes. Recommend use with 2 x 8 studs only.

OUTLET TYPE	FIGURE NO.	TYPE OF FITTING	FLOOR MOUNT*	A SIZE	E	APPROX. WT. LBS.
CAULK	0548F-3	Single-3" Copper Sweat Connection	624.00	03"	4"	38
	▲0548F-4	Single-4" Copper Sweat Connection	716.00	04"	5"	38
	0548FD3	Double-3" Copper Sweat Connection	959.00	03"	-	52
	0548FP	Single-3" Plastic Connection	624.00	03"	4 1/2"	37
	0548FDP	Double-3" Plastic Connection	959.00	03"	-	51

*Floor mount series may also be used in commercial applications where applicable.

NOTE: Always specify fixture manufacturer's model name and number.



FIXTURE SUPPORTS

FIG. 0550 RESIDENTIAL SUPPORTS FOR SIPHON JET WATER CLOSETS VERTICAL OFFSET FITTINGS



FIXTURE SUPPORTS

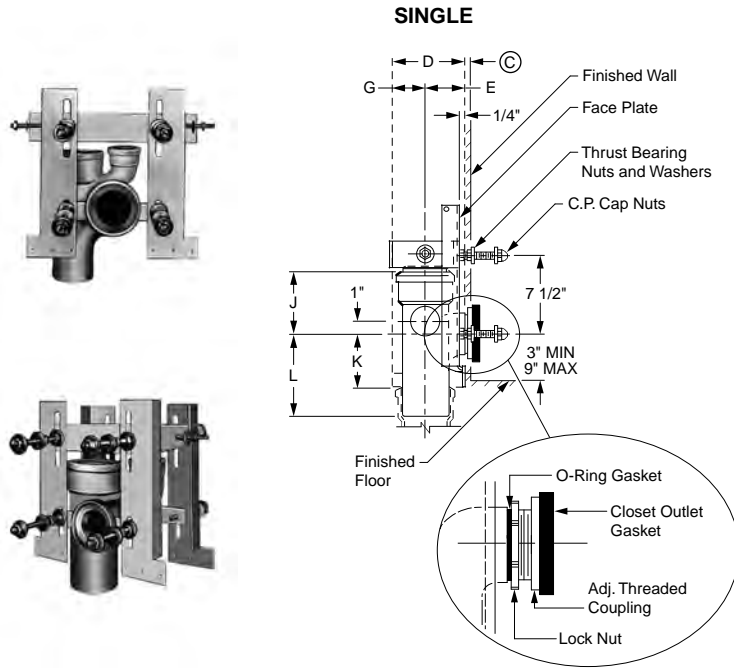


Fig. 0550
Side View

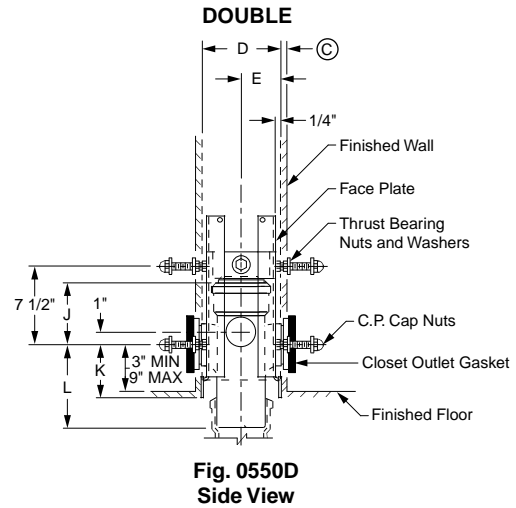


Fig. 0550D
Side View

NOTE: Coupling should extend 5/16" beyond finished wall.

NOTE: Longer closet studs and couplings available when required.

© 1" MIN to 1 1/4" MAX regularly furnished. Other dimensions available upon request. Service weight regularly furnished.

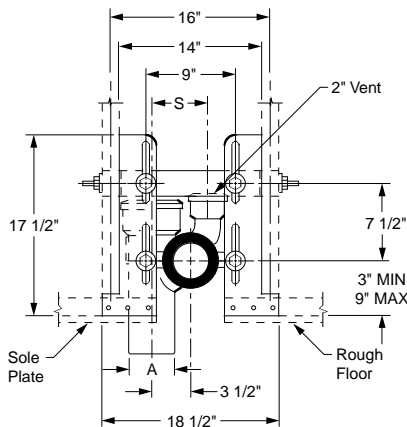


Fig. 0550
Front View

OUTLET TYPE	FIGURE NO.	TYPE OF FITTING	STUD MOUNT	A SIZE	D STUD	E	G	J	K	L	S	APPROX. WT. LBS.
CAULK	0550L3	Single-Left Hand, 3" Caulk Connection	823.00	03"	2 x 6"	3 3/4"	1 3/4"	6"	5 1/4"	8"	5 1/4"	30
	0550L4	Single-Left Hand, 4" Caulk Connection	823.00	04"	2 x 8"	3 3/4"	3 3/4"	6"	5"	8"	5 1/4"	32
	0550R3	Single-Right Hand, 3" Caulk Connection	823.00	03"	2 x 6"	3 3/4"	1 3/4"	6"	5 1/4"	8"	5 1/4"	30
	0550R4	Single-Right Hand, 4" Caulk Connection	823.00	04"	2 x 8"	3 3/4"	3 3/4"	6"	5"	8"	5 1/4"	32
	0550D3	Double-3" Caulk Connection	1,410.00	03"	2 x 6"	3 3/4"	1 3/4"	6"	5 1/4"	8"	5 1/4"	50
	0550D4	Double-4" Caulk Connection	1,410.00	04"	2 x 8"	3 3/4"	3 3/4"	6"	5"	8"	5 1/4"	55

NOTE: Always specify fixture manufacturer's model name and number.



FIXTURE SUPPORTS

FIG. 0550F RESIDENTIAL SUPPORTS FOR SIPHON JET WATER CLOSETS VERTICAL OFFSET FITTINGS

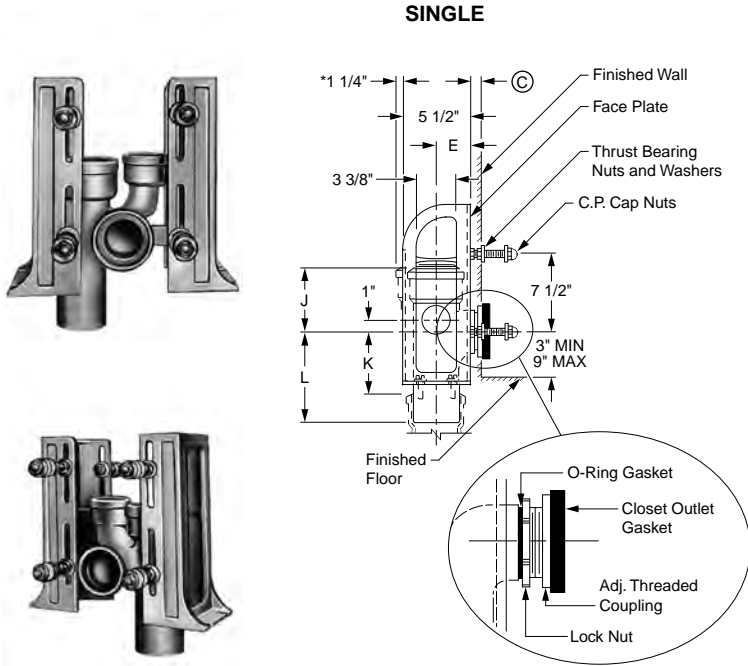


Fig. 0550F
Side View

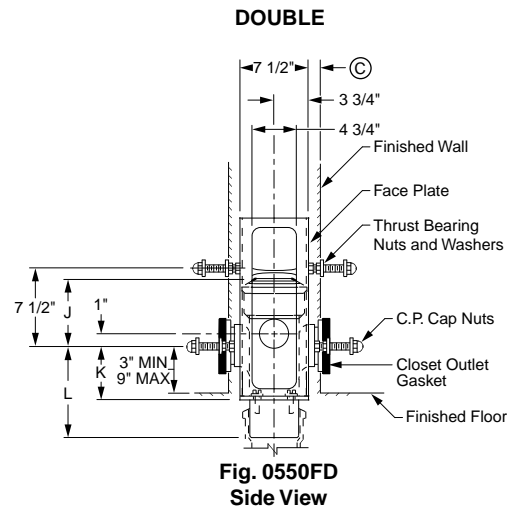


Fig. 0550FD
Side View

NOTE: Coupling should extend 5/16" beyond finished wall.

NOTE: Longer closet studs and couplings available when required.

© 1" MIN to 1 1/4" MAX regularly furnished. Other dimensions available upon request. Service weight regularly furnished.

*Hub extends beyond frame 1 1/4" for 4" cast iron hub.

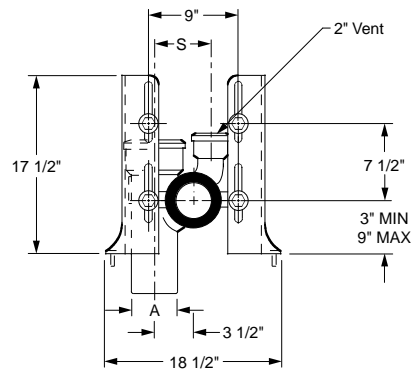


Fig. 0550F
Front View

OUTLET TYPE	FIGURE NO.	TYPE OF FITTING	FLOOR MOUNT*	A SIZE	E	J	K	L	S	APPROX. WT. LBS.
CAULK	0550FL3	Single-Left Hand, 3" Caulk Connection	823.00	03"	3"	6"	5 1/4"	8"	5 1/4"	62
	0550FL4	Single-Left Hand, 4" Caulk Connection	823.00	04"	3 3/4"	6"	5"	8"	5 1/4"	55
	0550FR3	Single-Right Hand, 3" Caulk Connection	823.00	03"	3"	6"	5 1/4"	8"	5 1/4"	62
	0550FR4	Single-Right Hand, 4" Caulk Connection	823.00	04"	3 3/4"	6"	5"	8"	5 1/4"	55
	0550FD3	Double-3" Caulk Connection	1,410.00	03"	3"	6"	5 1/4"	8"	5 1/4"	76
	0550FD4	Double-4" Caulk Connection	1,410.00	04"	3 3/4"	6"	5"	8"	5 1/4"	82

*Floor mount series may also be used in commercial applications where applicable.

NOTE: Always specify fixture manufacturer's model name and number.



FIXTURE SUPPORTS

FIG. 0600 FACE PLATE FIXTURE SUPPORTS WITHOUT FITTINGS FOR SIPHON JET WATER CLOSETS



FIXTURE SUPPORTS

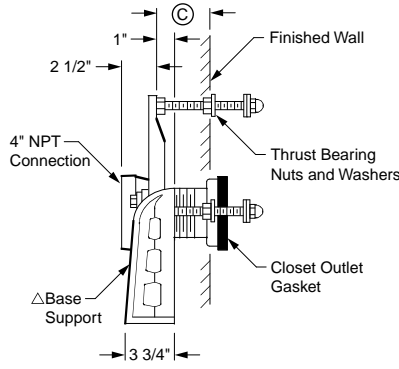


Fig. 0600
Side View

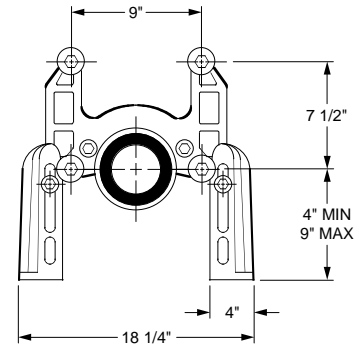


Fig. 0600
Front View

NOTE: ΔBase support must be securely anchored to floor (with four 1/2" Bolts furnished by others).

NOTE: Longer couplings available when required, up to 14" long. (Pricing will vary)

NOTE: © 1" MIN to 3" MAX as regularly furnished.

The water closet gasket regularly furnished is made of molded neoprene and designed to fit water closet outlet dimensions and configurations shown in ANSI Standard A112.19.2M, Figure 13B. If gasket is not found to be compatible to fixture due to nonconformance of said fixture to ANSI A112.19.2M, then fixture manufacturer shall be consulted for a suitable gasket recommendation. Jay R. Smith assumes no liability for connections to fixtures which do not conform to these standards.

FIGURE NO.	DESCRIPTION	PRICE	APPROX. WT. LBS.
0600	Siphon Jet Type, 4" Connection	738.00	27

FIG. 0620 FACE PLATE FIXTURE SUPPORTS WITHOUT FITTINGS FOR BLOWOUT WATER CLOSETS

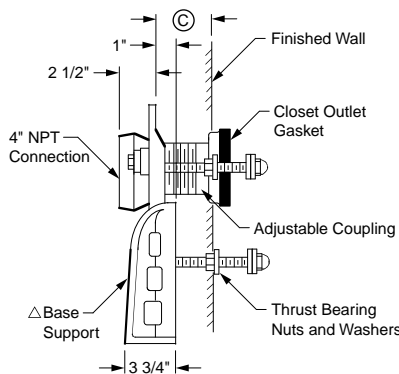


Fig. 0620
Side View

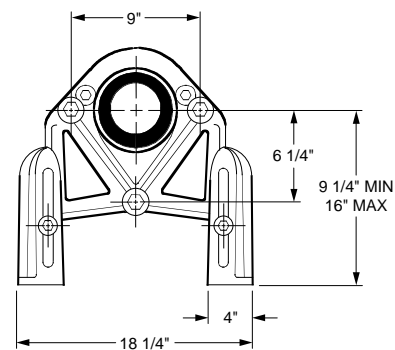


Fig. 0620
Front View

NOTE: ΔBase support must be securely anchored to floor (with four 1/2" Bolts furnished by others).

NOTE: Longer couplings available when required, up to 14" long. (Pricing will vary)

NOTE: © 1" MIN to 3" MAX as regularly furnished.

The water closet gasket regularly furnished is made of molded neoprene and designed to fit water closet outlet dimensions and configurations shown in ANSI Standard A112.19.2M, Figure 13B. If gasket is not found to be compatible to fixture due to nonconformance of said fixture to ANSI A112.19.2M, then fixture manufacturer shall be consulted for a suitable gasket recommendation. Jay R. Smith assumes no liability for connections to fixtures which do not conform to these standards.

FIGURE NO.	DESCRIPTION	PRICE	APPROX. WT. LBS.
0620	Blowout Type, 4" Connection	738.00	31

NOTE: Service weight regularly furnished on fittings above.
NOTE: Always specify fixture manufacturer's model name and number.

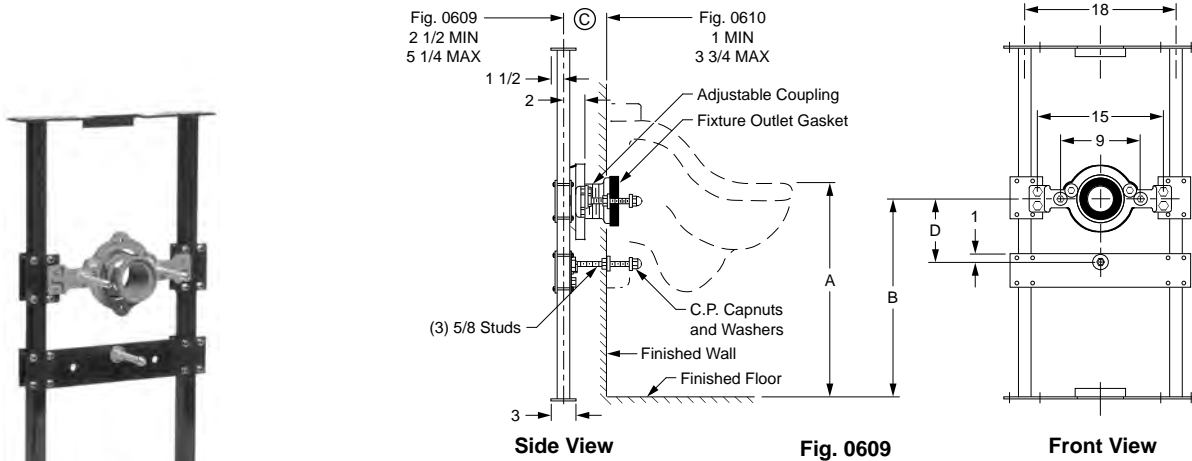
†REGULARLY FURNISHED



FIXTURE SUPPORTS



FIG. 0609, 0610 LABOR SAVER® OFF-THE-FLOOR URINAL SUPPORTS WITH SUPPORTING STUDS AND ADJUSTABLE COUPLING FOR BLOWOUT URINALS



NOTE: © This dimension can be increased when fixture support is to be installed behind the wall (specify when required and wall thickness).

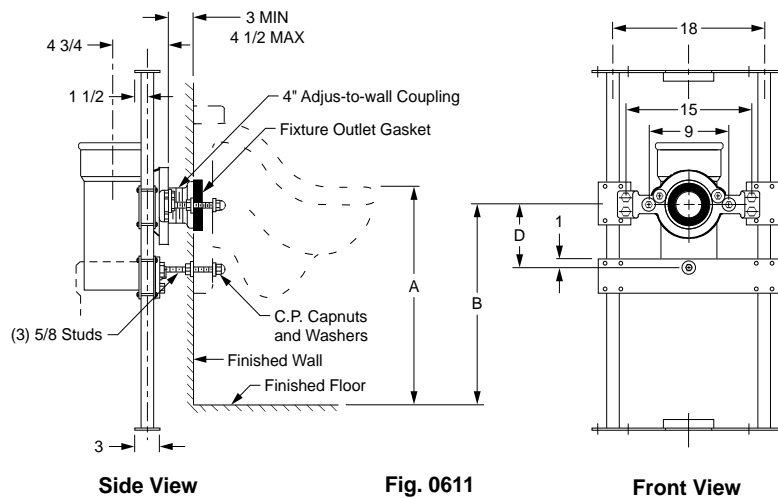
NOTE: The rough-in dimensions listed on this drawing are based on current information available to Jay R. Smith by the fixture manufacturers. We recommend that you verify these dimensions with the fixture manufacturer. We will not accept responsibility for rough-in dimension changes by the fixture manufacturer.

For lettered dimensions, contact factory.

The water closet gasket regularly furnished is made of molded neoprene and designed to fit water closet outlet dimensions and configurations shown in ANSI Standard A112.19.2M, Figure 13B. If gasket is not found to be compatible to fixture due to nonconformance of said fixture to ANSI A112.19.2M, then fixture manufacturer shall be consulted for a suitable gasket recommendation. Jay R. Smith assumes no liability for connections to fixtures which do not conform to these standards.

FIGURE NO.	DESCRIPTION	PRICE	APPROX. WT. LBS.
0609	3" Outlet Conn & Bottom Bearing Plate	898.00	42
0610	4" Outlet Conn & Bottom Bearing Plate	898.00	43

FIG. 0611 LABOR SAVER® OFF-THE-FLOOR URINAL SUPPORTS WITH SUPPORTING STUDS, WASTE FITTING AND ADJUSTABLE COUPLING FOR BLOWOUT URINALS



NOTE: The rough-in dimensions listed on this drawing are based on current information available to Jay R. Smith by the fixture manufacturers. We recommend that you verify these dimensions with the fixture manufacturer. We will not accept responsibility for rough-in dimension changes by the fixture manufacturer.

For lettered dimensions, contact factory.

The water closet gasket regularly furnished is made of molded neoprene and designed to fit water closet outlet dimensions and configurations shown in ANSI Standard A112.19.2M, Figure 13B. If gasket is not found to be compatible to fixture due to nonconformance of said fixture to ANSI A112.19.2M, then fixture manufacturer shall be consulted for a suitable gasket recommendation. Jay R. Smith assumes no liability for connections to fixtures which do not conform to these standards.

FIGURE NO.	DESCRIPTION	PRICE	APPROX. WT. LBS.
0611	4" Outlet Connection	1,487.00	42

NOTE: Service weight regularly furnished on fittings above.
NOTE: Always specify fixture manufacturer's model name and number.



FIXTURE SUPPORTS

FIG. 0614, 0615 LABOR SAVER® URINAL SUPPORTS WITH HANGER PLATES FOR BLOWOUT AND WASHOUT URINALS



FIXTURE SUPPORTS

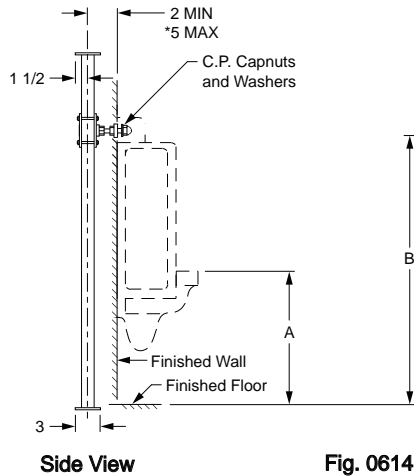


Fig. 0614

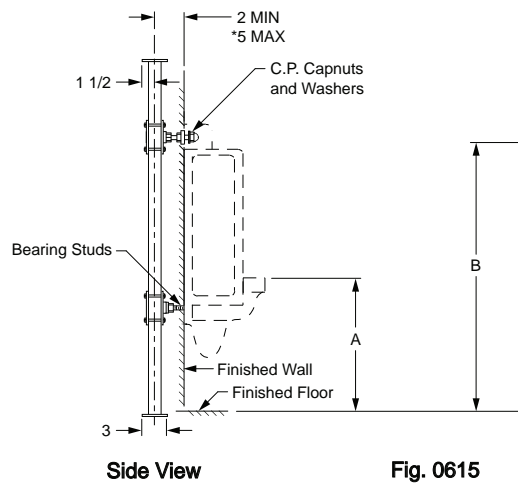
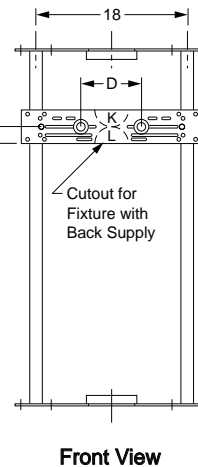
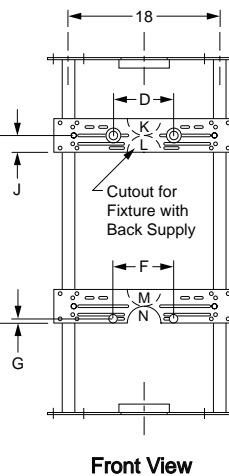


Fig. 0615



NOTE: *This dimension can be increased when fixture support is to be installed behind the wall (specify when required and wall thickness).

NOTE: The rough-in dimensions listed on this drawing are based on current information available to Jay R. Smith by the fixture manufacturers. We recommend that you verify these dimensions with the fixture manufacturer. We will not accept responsibility for rough-in dimension changes by the fixture manufacturer.

For lettered dimensions, contact factory.

FIGURE NO.	DESCRIPTION	PRICE	APPROX. WT. LBS.
0614	Less Bottom Bearing Plate	562.00	26
0615	With Bottom Bearing Plate	628.00	32

NOTE: Service weight regularly furnished on fittings above.
NOTE: Always specify fixture manufacturer's model name and number.



FIXTURE SUPPORTS



FIG. 0616, 0617 LABOR SAVER® OFF-THE-FLOOR URINAL SUPPORTS WITH HANGER PLATES FOR BLOWOUT AND WASHOUT URINALS WITH WALL HANGERS

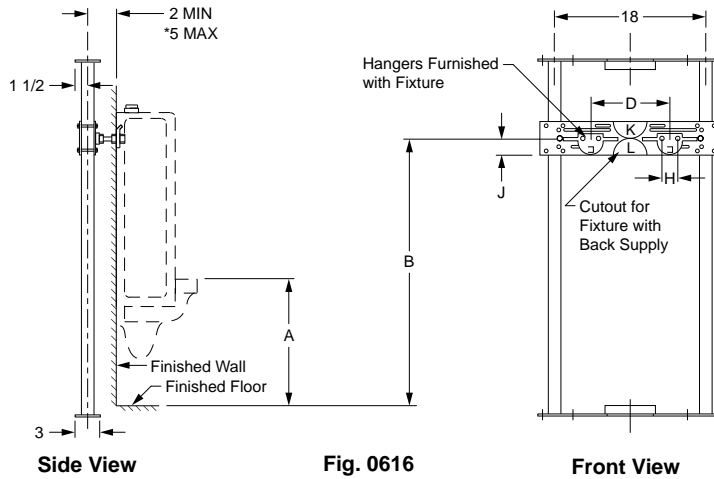


Fig. 0616

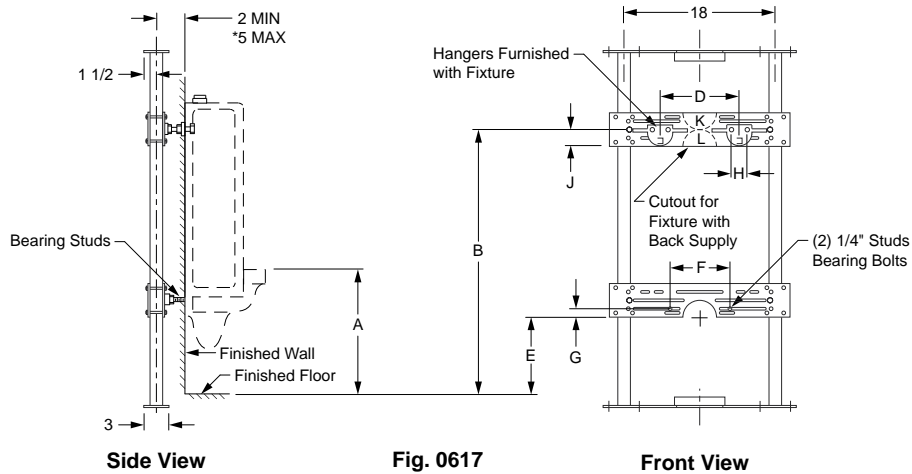


Fig. 0617

NOTE: *This dimension can be increased when fixture support is to be installed behind the wall (specify when required and wall thickness).

NOTE: The rough-in dimensions listed on this drawing are based on current information available to Jay R. Smith by the fixture manufacturers. We recommend that you verify these dimensions with the fixture manufacturer. We will not accept responsibility for rough-in dimension changes by the fixture manufacturer.

For lettered dimensions, contact factory.

FIGURE NO.	DESCRIPTION	PRICE	APPROX. WT. LBS.
0616	Less Bottom Bearing Plate	562.00	26
0617	With Bottom Bearing Plate	628.00	32

NOTE: Service weight regularly furnished on fittings above.
NOTE: Always specify fixture manufacturer's model name and number.

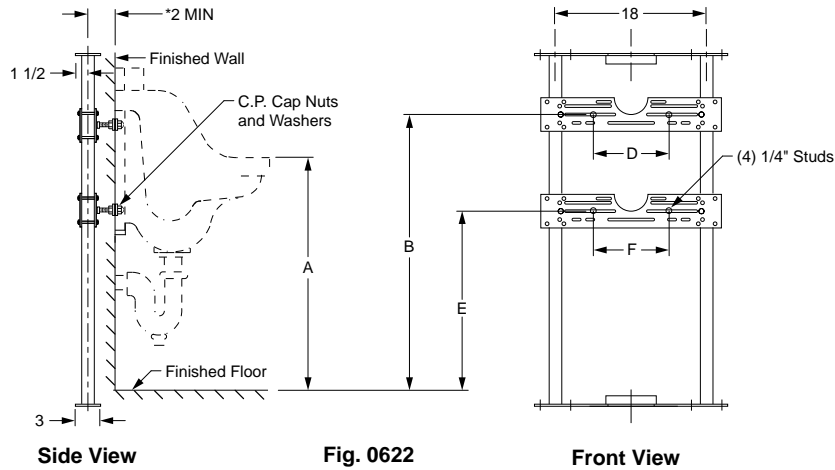


FIXTURE SUPPORTS

FIG. 0622 LABOR SAVER® URINAL SUPPORT FLOOR MOUNTED TYPE WITH TOP AND BOTTOM SUPPORTING PLATES AND STUDS FOR WASHOUT URINALS



FIXTURE SUPPORTS



NOTE: *This dimension includes a wall thickness of 1/2". For greater wall thickness, specify centerline of upright to finished wall dimension.

NOTE: The rough-in dimensions listed on this drawing are based on current information available to Jay R. Smith by the fixture manufacturers. We recommend that you verify these dimensions with the fixture manufacturer. We will not accept responsibility for rough-in dimension changes by the fixture manufacturer.

For lettered dimensions, contact factory.

FIGURE NO.	DESCRIPTION	PRICE	APPROX. WT. LBS.
0622	With Bottom Bearing Plate	628.00	32

NOTE: Service weight regularly furnished on fittings above.
NOTE: Always specify fixture manufacturer's model name and number.



FIXTURE SUPPORTS



FIG. 0623, 0624 LABOR SAVER® URINAL SUPPORTS WITH HANGER PLATES FOR BLOWOUT AND WASHOUT URINALS WITH CONCEALED WALL HANGERS

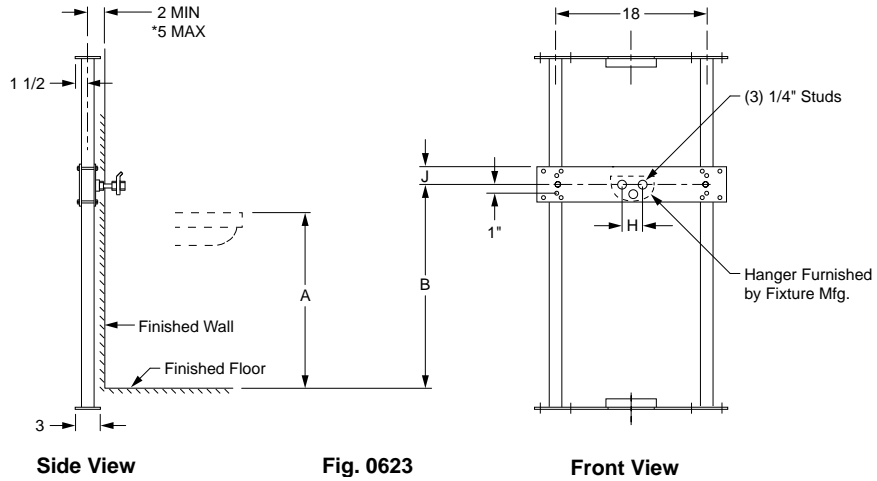


Fig. 0623

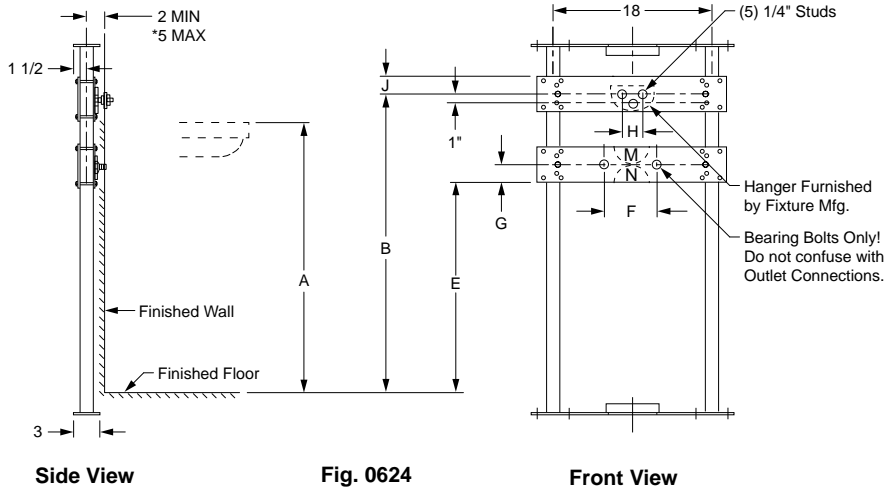


Fig. 0624

NOTE: *This dimension can be increased when fixture support is to be installed behind the wall (specify when required and wall thickness).

NOTE: The rough-in dimensions listed on this drawing are based on current information available to Jay R. Smith by the fixture manufacturers. We recommend that you verify these dimensions with the fixture manufacturer. We will not accept responsibility for rough-in dimension changes by the fixture manufacturer.

For lettered dimensions, contact factory.

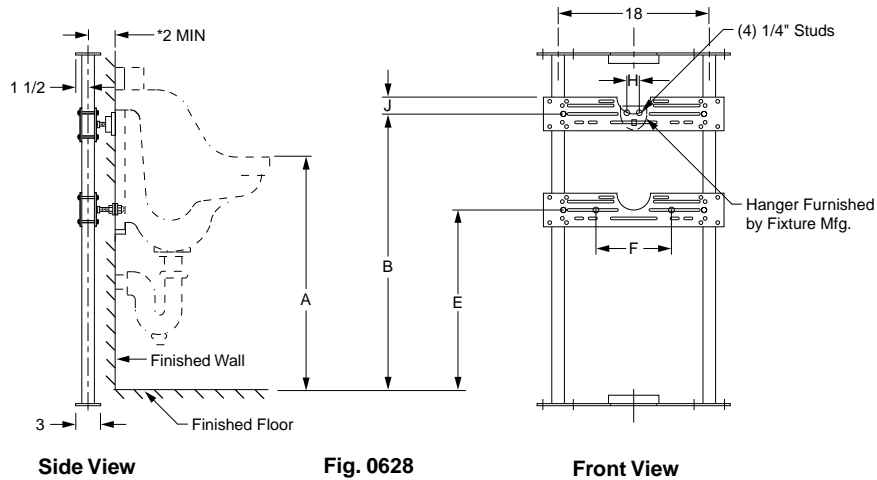
FIGURE NO.	DESCRIPTION	PRICE	APPROX. WT. LBS.
0623	Less Bottom Bearing Plate	562.00	26
0624	With Bottom Bearing Plate	628.00	32

NOTE: Service weight regularly furnished on fittings above.
NOTE: Always specify fixture manufacturer's model name and number.



FIXTURE SUPPORTS

FIG. 0628 LABOR SAVER® URINAL SUPPORT FLOOR MOUNTED TYPE W/TOP AND BOTTOM SUPPORTING PLATES AND STUDS FOR WASHOUT URINALS W/TOP STUD AND BOTTOM OUTLET



NOTE: *This dimension includes a wall thickness of 1/2". For greater wall thickness, specify centerline of upright to finished wall dimension.

NOTE: The rough-in dimensions listed on this drawing are based on current information available to Jay R. Smith by the fixture manufacturers. We recommend that you verify these dimensions with the fixture manufacturer. We will not accept responsibility for rough-in dimension changes by the fixture manufacturer.

For lettered dimensions, contact factory.

The water closet gasket regularly furnished is made of molded neoprene and designed to fit water closet outlet dimensions and configurations shown in ANSI Standard A112.19.2M, Figure 13B. If gasket is not found to be compatible to fixture due to nonconformance of said fixture to ANSI A112.19.2M, then fixture manufacturer shall be consulted for a suitable gasket recommendation. Jay R. Smith assumes no liability for connections to fixtures which do not conform to these standards.

FIGURE NO.	DESCRIPTION	PRICE	APPROX. WT. LBS.
0628	With Bottom Bearing Plate	628.00	32

NOTE: Service weight regularly furnished on fittings above.
NOTE: Always specify fixture manufacturer's model name and number.

FIXTURE SUPPORTS



FIG. 0629, 0630, 0632, 0633 URINAL SUPPORTS FOR OFF-THE-FLOOR URINALS WITH SUPPORTING STUDS AND ADJUSTABLE COUPLING FOR BLOWOUT URINALS/SINKS

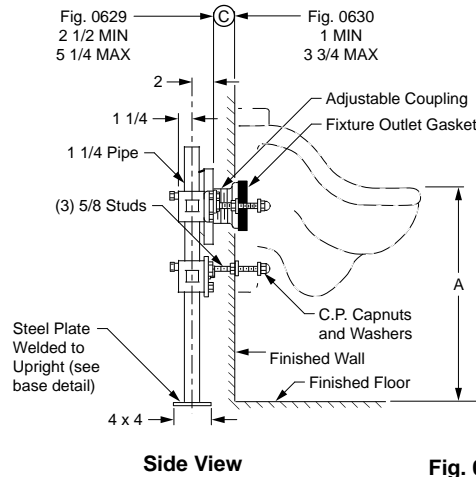
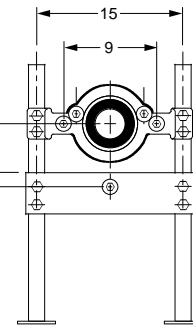


Fig. 0629



Front View

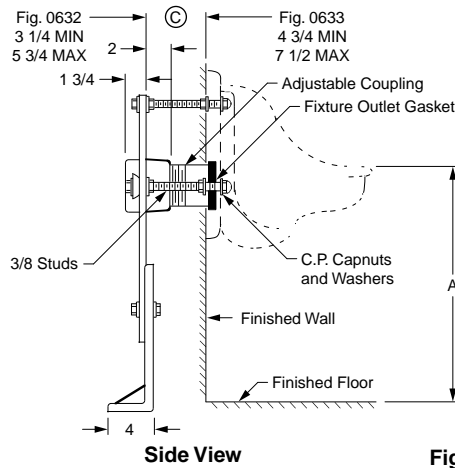
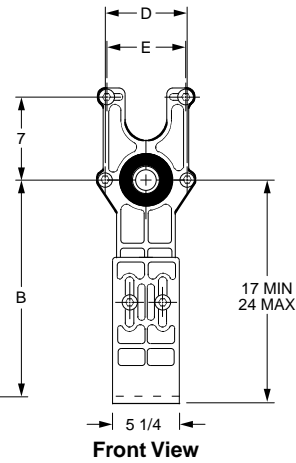


Fig. 0632



Front View

FIGURE NO.	DESCRIPTION	PRICE	APPROX. WT. LBS.
0629	3" Outlet Conn & Bottom Bearing Plate	1,023.00	42
0630	4" Outlet Conn & Bottom Bearing Plate	1,023.00	43
0631	4" Outlet Connection	1,143.00	42
0632	2" Outlet Connection	606.00	33
0633	3" Outlet Connection	606.00	37

For lettered dimensions, contact factory.

NOTE: Coupling should extend 5/8" beyond finished wall.

NOTE: All support bases must be securely anchored to a rigid floor and/or other rigid substructure with (4) 1/2" bolts furnished by others.

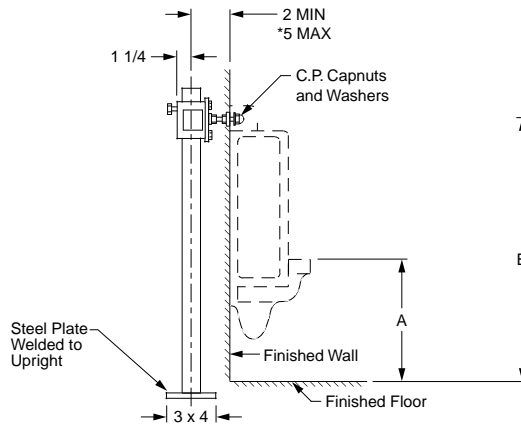
The water closet gasket regularly furnished is made of molded neoprene and designed to fit water closet outlet dimensions and configurations shown in ANSI Standard A112.19.2M, Figure 13B. If gasket is not found to be compatible to fixture due to nonconformance of said fixture to ANSI A112.19.2M, then fixture manufacturer shall be consulted for a suitable gasket recommendation. Jay R. Smith assumes no liability for connections to fixtures which do not conform to these standards.

NOTE: Service weight regularly furnished on fittings above.
NOTE: Always specify fixture manufacturer's model name and number.



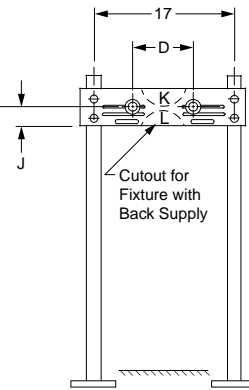
FIXTURE SUPPORTS

FIG. 0634, 0635, 0636, 0637 URINAL SUPPORTS FOR OFF-THE-FLOOR URINALS WITH HANGER PLATES FOR BLOWOUT AND WASHOUT URINALS

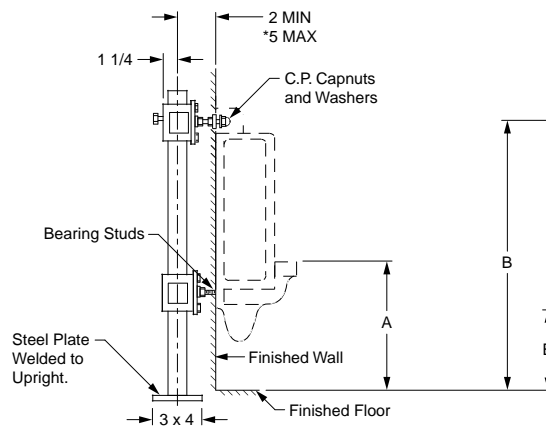


Side View

Fig. 0634

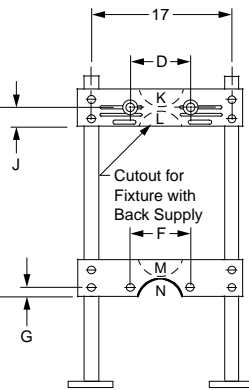


Front View



Side View

Fig. 0635



Front View

FIGURE NO.	DESCRIPTION	PRICE	APPROX. WT. LBS.
0634	Less Bottom Bearing Plate	312.00	26
0635	With Bottom Bearing Plate	360.00	32
0636	Less Bottom Bearing Plate	312.00	26
0637	With Bottom Bearing Plate	360.00	32

NOTE: *This dimension can be increased when fixture support is to be installed behind the wall (specify when required and wall thickness).

NOTE: All support bases must be securely anchored to a rigid floor and/or other rigid substructure with (4) 1/2" bolts furnished by others.

For lettered dimensions, contact factory.

NOTE: Service weight regularly furnished on fittings above.
NOTE: Always specify fixture manufacturer's model name and number.

†REGULARLY FURNISHED



FIXTURE SUPPORTS

FIG. 0642, 0643, 0644, 0648 URINAL SUPPORTS FOR OFF-THE-FLOOR URINALS WITH HANGER PLATES FOR BLOWOUT AND WASHOUT URINALS

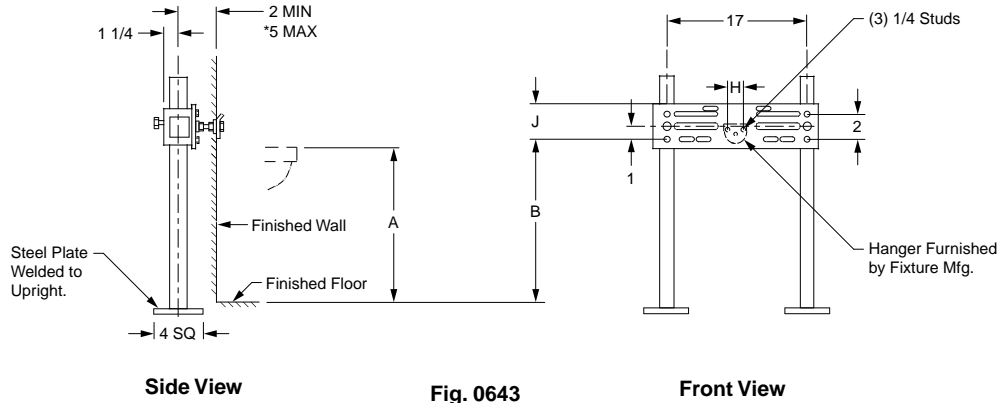


Fig. 0643

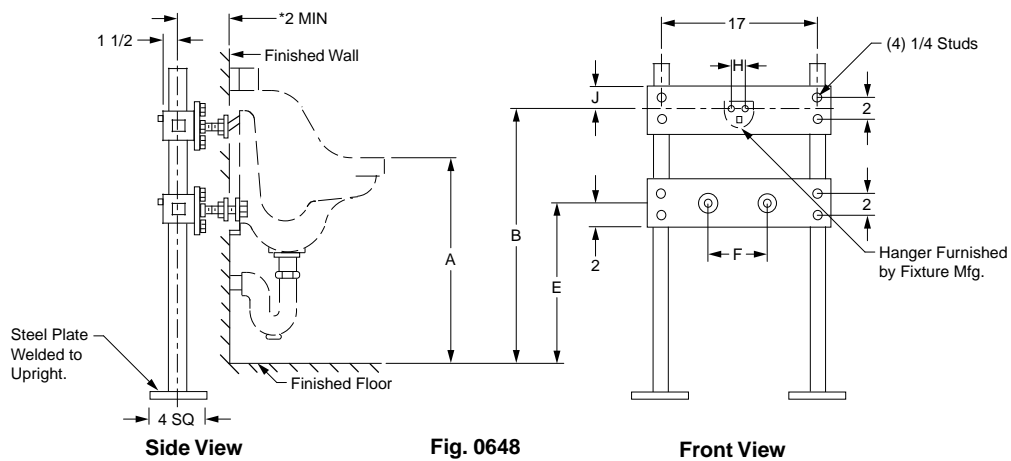


Fig. 0648

FIGURE NO.	DESCRIPTION	PRICE	APPROX. WT. LBS.
0642	With Bottom Bearing Plate	483.00	32
0643	Less Bottom Bearing Plate	483.00	26
0644	With Bottom Bearing Plate	483.00	32
0648	With Bottom Bearing Plate	483.00	32

NOTE: *This dimension can be increased when fixture support is to be installed behind the wall (specify when required and wall thickness).

For lettered dimensions, contact factory.

NOTE: Service weight regularly furnished on fittings above.
NOTE: Always specify fixture manufacturer's model name and number.



FIXTURE SUPPORTS

FIG. 0650 SERIES 90° DOUBLE VERTICAL INLET STACK FITTINGS

FUNCTION: Recommended for use in institutions where one stack fitting serves two rooms while providing separate vent hubs. The 1 1/2" or 2" connection is provided for a lavatory waste when required.



FIXTURE SUPPORTS

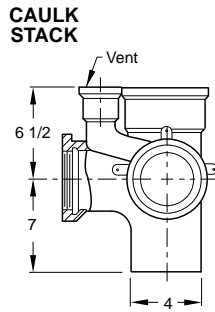


Fig. 0650

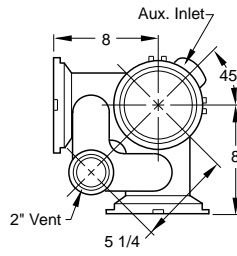


Fig. 0650
Top View

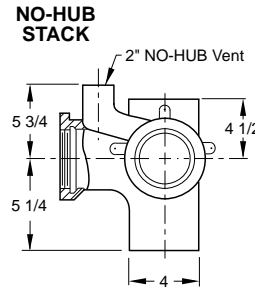


Fig. 0650Y

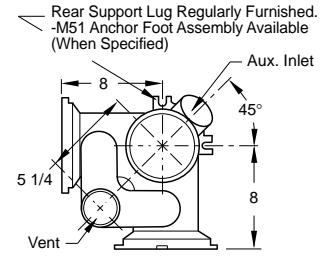
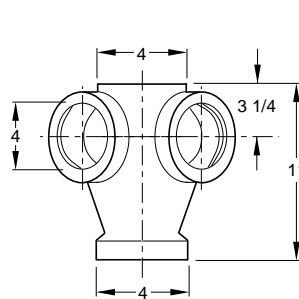


Fig. 0650Y
Top View

FIGURE NO.	DESCRIPTION	PRICE	APPROX. WT. LBS.
0650	Caulk Conn, Less 2" Auxiliary Tap	1,592.00	47
0650Y	No Hub Conn, Less 2" Auxiliary Tap	1,592.00	42
0651	Caulk Conn, With 2" Auxiliary Tap	1,875.00	47
0651Y	No Hub Conn, With 2" Auxiliary Tap	1,875.00	42
	Nipple with Coupling for Fittings Above	N/C	-

FIG. 0660 VERTICAL INLET STACK FITTINGS

FUNCTION: Recommended for use in institutions where one stack fitting serves two rooms while providing separate vent hubs. The 1 1/2" or 2" connection is provided for a lavatory waste when required.



Front View

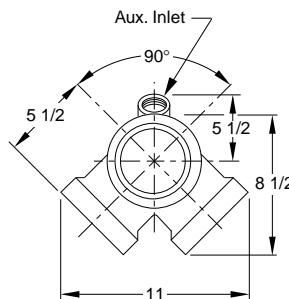
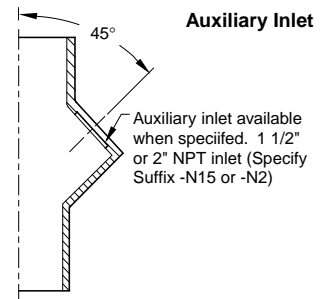


Fig. 0660

Top View



Side View

FIGURE NO.	DESCRIPTION	PRICE	APPROX. WT. LBS.
0660	Thread Conn, Less 2" Auxiliary Tap	1,596.00	23
0661	Thread Conn, With 2" Auxiliary Tap	1,809.00	30
	Nipple with Coupling for Fittings Above	N/C	-

NOTE: Service weight regularly furnished on fittings above.
NOTE: Always specify fixture manufacturer's model name and number.



FIXTURE SUPPORTS

FIG 0672, 0674 SERIES INLET STACK FITTINGS FOR HUB AND SPIGOT SYSTEMS

FUNCTION: Recommended for use with a floor mounted back outlet water closet.

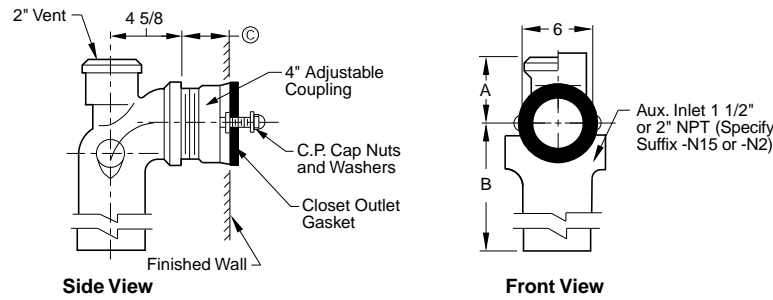


Fig. 0672

© Dimension is regularly furnished 4" long. Coupling provides 3/4" adjustment in either direction.

FIGURE NO.	DESCRIPTION	PRICE	SERVICE WEIGHT		NO-HUB		APPROX. WT. LBS.
			A	B	A	B	
0672	4" Spigot Conn, With 2" Vent Hub	944.00	5"	8"	-	-	19
0674	4" Spigot Conn, With 4" Vent Hub	944.00	5 1/2"	8"	-	-	19
	Nipple with Coupling for Fittings Above	N/C					-

The water closet gasket regularly furnished is designed to fit water closet outlet dimensions and configurations shown in ANSI Standard A112.19.2. If gasket is not found to be compatible to fixture due to nonconformance of said fixture to ANSI A112.19.2, then fixture manufacturer shall be consulted for a suitable gasket recommendation. Jay R. Smith assumes no liability for connections to fixtures which do not conform to these standards.

MULTIPLE INLET STACK FITTING CONNECTION ASSEMBLIES

ASSEMBLY NO.	DESCRIPTION	PRICE
M73 OR M74	Outlet Conn (to 12"), for Stainless Steel	440.00
M-80-NH	4" No Hub Connection, 6" long*	440.00
M-80-T	4" Thread Connection, 6" long*	440.00
M-81-NH	4" No Hub Connection, 12" long*	385.00
M-81-T	4" Thread Connection, 12" long*	385.00
M-84-4-NH	4" Male No Hub Connection	221.00
M-84-4-T	4" Male Thread Connection	221.00

*Add \$27.00 for each additional 6" of thru-wall stainless steel tubing required. For factory cut special lengths, add \$13.00 per cut additional.

M-80 and M-81 Series thru-wall waste connection with cleanout tee for stainless steel fixtures with recessed waste connection and 5/16" tappings on 6" centers.

M-84 Series in-wall waste connection for stainless steel fixtures with recessed waste connection and 5/16" tappings.

NOTE: Service weight regularly furnished on fittings above.
NOTE: Always specify fixture manufacturer's model name and number.



FIXTURE SUPPORTS

FIG 0672Y, 0674Y NO-HUB VERTICAL CENTERLINE FITTING

FUNCTION: Recommended for use with a floor mounted back outlet water closet.



FIXTURE SUPPORTS

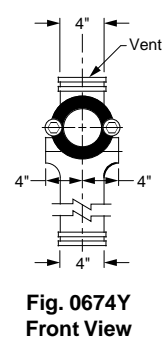
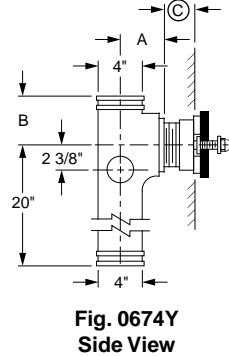
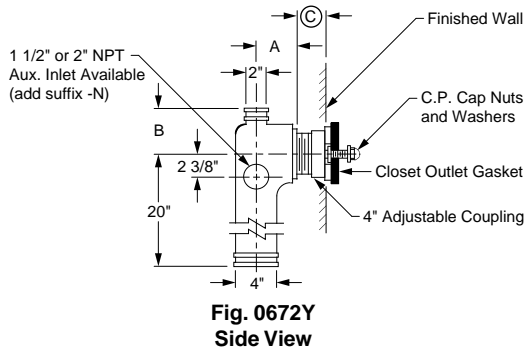


FIGURE NO.	DESCRIPTION	PRICE	NO-HUB A	NO-HUB B	APPROX. WT. LBS.
0672Y	Single—with 2" Vent	877.00	4"	7"	35
0674Y	Single—with 4" Vent	877.00	4"	5"	35

© Dimension as regularly furnished permits a dimension of 3" MIN to 4" MAX. Coupling provides 1/2" adjustment in either direction.

Always specify © dimension required.

Minimum © dimension of 1" available using special male end coupling.

NOTE: When required a 2" NO-HUB Aux. inlet adapter is available specify suffix-NY.

The water closet gasket regularly furnished is designed to fit water closet outlet dimensions and configurations shown in ANSI Standard A112.19.2. If gasket is not found to be compatible to fixture due to nonconformance of said fixture to ANSI A112.19.2, then fixture manufacturer shall be consulted for a suitable gasket recommendation. Jay R. Smith assumes no liability for connections to fixtures which do not conform to these standards.

NOTE: Service weight regularly furnished on fittings above.
NOTE: Always specify fixture manufacturer's model name and number.

FIG. 0675 AND 0688 SERIES VERTICAL OFFSET WASTE FITTING WITH SIDE INLET

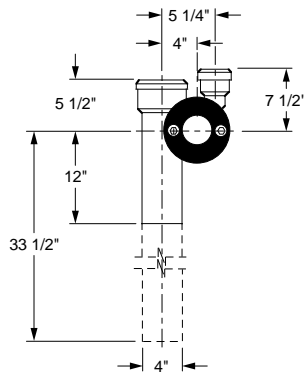


Fig. 0675
Front View

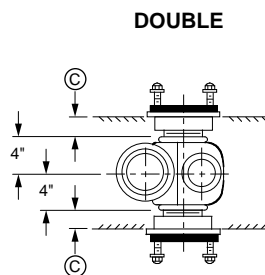


Fig. 0675D
Top View

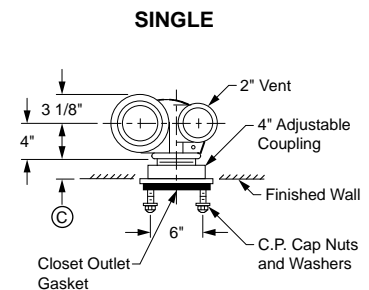


Fig. 0675
Top View

FIGURE NO.	DESCRIPTION	PRICE	APPROX. WT. LBS.
0675L	Single—Left Hand less Inlets	926.00	56
0675R	Single—Right Hand less Inlets	926.00	56
0675D	Double less Inlets	1,630.00	68
0688L	Single—Left Hand less Inlets	1,630.00	48
0688R	Single—Right Hand less Inlets	1,630.00	48
0688D	Double less Inlets	2,100.00	68

© Dimension is regularly furnished 4" long. Coupling provides 3/4" adjustment in either direction.

The water closet gasket regularly furnished is designed to fit water closet outlet dimensions and configurations shown in ANSI Standard A112.19.2. If gasket is not found to be compatible to fixture due to nonconformance of said fixture to ANSI A112.19.2, then fixture manufacturer shall be consulted for a suitable gasket recommendation. Jay R. Smith assumes no liability for connections to fixtures which do not conform to these standards.

NOTE: Service weight regularly furnished on fittings above.
NOTE: Always specify fixture manufacturer's model name and number.



FIXTURE SUPPORTS

FIG. 0676Y NO-HUB VERTICAL OFFSET WASTE FITTING

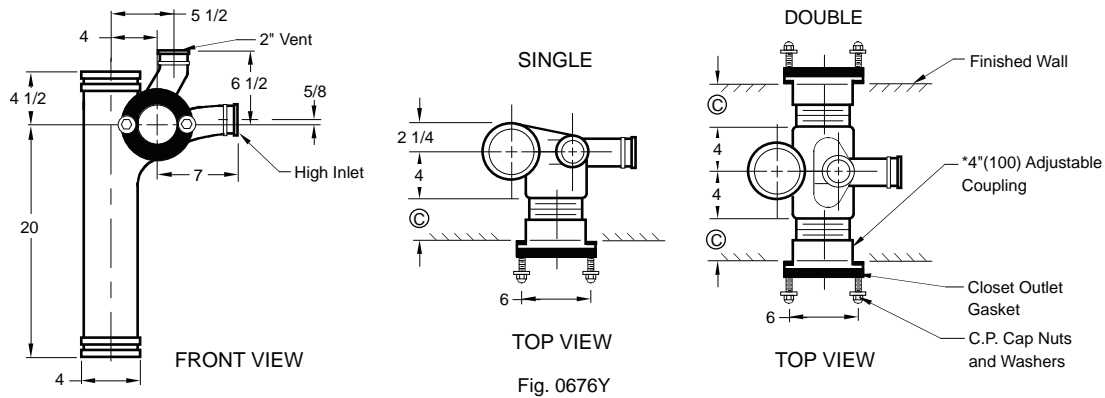


Fig. 0676Y

FIGURE NO.	DESCRIPTION	PRICE	APPROX. WT. LBS.
0676LY	LH-w/One High Sanitary Inlet on Vent Side	902.00	36
0676RY	RH-w/One High Sanitary Inlet on Vent Side	902.00	36
0676DY	dbl-w/One High Sanitary Inlet on Vent Side	1,609.00	48

NOTES: Fittings shown are regularly furnished with (1) 2" NO-HUB sanitary sweep inlet.
 © Dimension as regularly furnished permits a dimension of 3" minimum to 4 1/2" maximum coupling provides 3/4" adjustment in either direction. Always specify © dimension required. Minimum © dimension of 1" available using special male end coupling.

FIG. 0688Y NO-HUB VERTICAL OFFSET WASTE FITTING

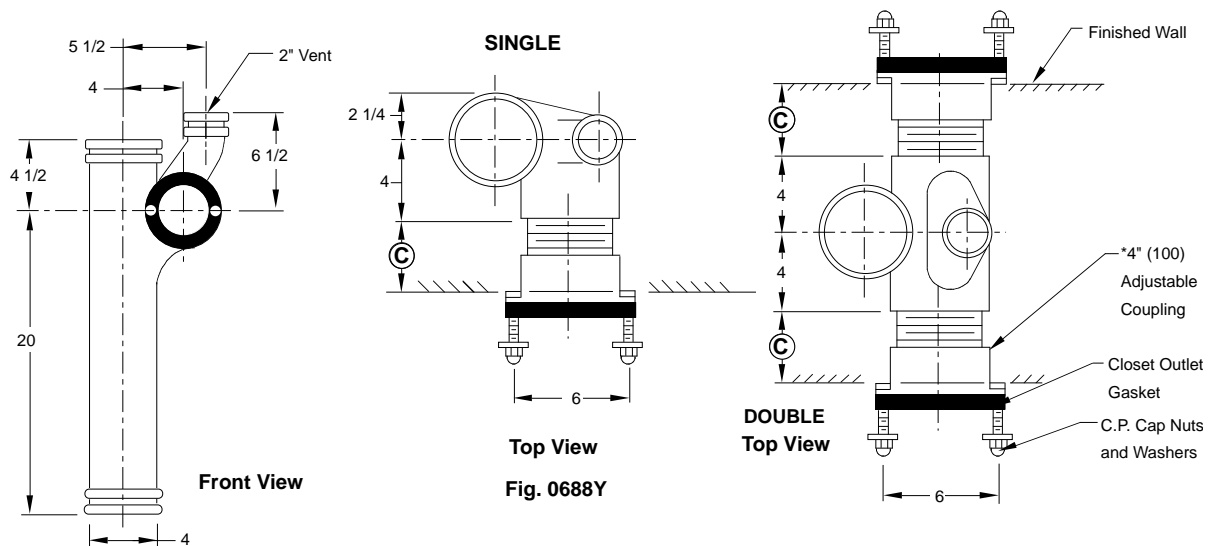


Fig. 0688Y

FIGURE NO.	DESCRIPTION	PRICE	APPROX. WT. LBS.
0688LY	Single-Left Hand	902.00	38
0688RY	Single-Right Hand	902.00	38
0688DY	Double	1,609.00	54

NOTES: Fittings shown are regularly furnished with (1) 2" NO-HUB sanitary sweep inlet.
 © Dimension as regularly furnished permits a dimension of 3" minimum to 4 1/2" maximum coupling provides 3/4" adjustment in either direction. Always specify © dimension required. Minimum © dimension of 1" available using special male end coupling.

The water closet gasket regularly furnished is designed to fit water closet outlet dimensions and configurations shown in ANSI Standard A112.19. If gasket is not found to be compatible to fixture due to nonconformance of said fixture to ANSI A112.19.2, then fixture manufacturer shall be consulted for a suitable gasket recommendation. Jay R. Smith assumes no liability for connections to fixtures which do not conform to these standards.

*Service Weight sized for No Hub.

NOTE: Service weight regularly furnished on fittings above.
 NOTE: Always specify fixture manufacturer's model name and number.



VARIATIONS FOR ADJUSTABLE, COMPACT, RESIDENTIAL AND FACE PLATE TYPE FIXTURE SUPPORTS

Adjustable	Compact	Residential	Face Plate	SUFFIX NO	TYPE OF VARIATION DESCRIPTION	APPROX. WT LBS.	ADD FOR	
							SINGLE	DOUBLE
•	•			-95	Test Cap Assembly	1	N/C	N/C
•	•	•	•	-M12	Support for Exposed Flush Valve Supply	1	50.00	100.00
•	•	•	•	-M13	Finishing Frame	1	50.00	100.00
•	•	•	•	-M17	Water Closet Setting Gauge	5	286.00	–
•	•			-M40	Extra Foot Support for Wide Pipe Chase	10	207.00	414.00
•	•		•	-M50	High Set Legs for Raised Closet Support	5	N/C	N/C
•	•			-M54	Face Plate with Side Leg Assembly	22	N/C	N/C
•	•			-M58	Face Plate with “O” Ring Seal and Adjustable ABS Nipple	18	N/C	N/C
•	•			-M58-M54	Face Plate with Side Leg Assembly, “O” Ring Seal and Adjustable ABS Nipple	22	N/C	N/C
•	•			-M73	*Closet Outlet Connection (to 12") for use with Stainless Steel Fixtures	7	440.00	880.00
•	•			-M74	*Closet Outlet Connection (to 12") for use with Stainless Steel Fixtures	6	440.00	880.00
•	•	•		-N	Each Tapped Auxiliary Inlet, 1 1/4", 1 1/2", or 2"	–	209.00	–
•	•			-G	Galvanized Support	–	POA	POA
•	•	•	•	U	Vandal Proof Trim	–	132.00	264.00
•	•			99	Coupling Wrench	–	61.00	–
•	•				Cast Iron or PVC Outlet Nipple & Steel Studs, 13–34", PER INCH	–	58.00	116.00
•	•	•			Residential Coupling over 3", PER INCH	–	33.00	66.00
•	•	•	•		Closet Outlet Gasket, Felt or Neoprene	1	N/C	N/C
•					Alternate Vent Locations, Vertical Fittings Only	–	N/C	N/C
				SUFFIX NO	TYPE OF VARIATION DESCRIPTION	APPROX. WT LBS.	DEDUCT FOR	
							SINGLE	DOUBLE
•	•			-NC	Less Nipple and Coupling	–	75.00	150.00

NOTE: Service weight regularly furnished on fittings above.
 NOTE: Always specify fixture manufacturer's model name and number.

†REGULARLY FURNISHED

MISCELLANEOUS URINAL/LAVATORY AND SINK SUPPORTS
ALWAYS SPECIFY FIXTURE MFR'S NAME AND NUMBER WHEN ORDERING



FIGURE NO.	PRICE	FIGURE NO.	PRICE	FIGURE NO.	PRICE
0600SP.....	516.00	0810D-M32	651.00	0851-12-KW-3	1,239.00
0620	566.00	0811-M32.....	701.00	0851-15.....	1,036.00
0620-SP	508.00	0813-M32.....	701.00	0851-3-M32	1,036.00
0636D-M32	651.00	0814-M32.....	701.00	0852-M32	1,905.00
0637D-M32	770.00	0814D	1,063.00	0857	1,347.00
0642-SS01-M32	551.00	0815	595.00	0860	781.00
0643D-M31-A.....	770.00	0816	595.00	0860-2.....	1,071.00
0644D-M31	770.00	0820-M32.....	517.00	0860-3.....	1,997.00
0702	651.00	0821 (Single)	577.00	0860-4.....	2,057.00
0702D	1,405.00	0822	624.00	0862-A26-M32	1,263.00
0702-1-M31	651.00	0823(Contact factory w/Fixture Type)		0862-HT	1,263.00
0721	386.00	0824D.....	984.00	0864	2,130.00
0721E.....	572.00	0824-E-M32	590.00	0864-3.....	2,964.00
0724	386.00	825D.....	359.00	0866	1,078.00
0725	386.00	0826D.....	166.00	0866-1-M31	1,401.00
0725-E	557.00	0827-BH	166.00	0866-2-M31	1,650.00
0729-E	530.00	0827-CH	166.00	0866-3-M31	1,746.00
0730	386.00	0827-SS	166.00	0867	1,746.00
0732	345.00	0827D.....	278.00	0868	1,030.00
0733	597.00	0830-2-M32	551.00	0868-1-M32	1,030.00
0740	996.00	0830D.....	733.00	0868D-Z	1,295.00
0740D	1,458.00	0833	801.00	0869	464.00
0751	1,001.00	0834	862.00	0870	1,119.00
0752-15-M30-M31	1,001.00	0834-1-M32	862.00	0870-M31-CMP.....	1,144.00
0752-15-M30-M32	1,001.00	0834D-1-M32	1,970.00	0870-41-M31	1,593.00
0758	2,131.00	0845	431.00	0870-42-M331	1,593.00
0758D	3,255.00	0846	765.00	0870-43-M31	1,819.00
0758-M31-42	2,457.00	0847	636.00	0870-43-M31CMP.....	1,940.00
0758-M31-43	3,588.00	0848	756.00	0870-CB42	1,301.00
0771-11	643.00	0848-1	775.00	0870-CB43	2,365.00
0771-15	643.00	0848-3.....	1,426.00	0870-D-M31CMP	1,853.00
0773	643.00	0848-4KW	2,297.00	0870-Z.....	1,036.00
0781	643.00	0848D	1,070.00	0876-1.....	1,670.00
0784	517.00	0849	994.00	0876-16-C	1,670.00
0785-A139	920.00	0849-2.....	1,278.00	0876-16-E	1,670.00
0790	451.00	0849-3.....	1,426.00	0876-19-AM	1,670.00
0791	451.00	0849-4.....	1,905.00	0876-19-K.....	1,670.00
0800D.....	703.00	0850-1-M32	1,771.00	0877-19.....	1,616.00
0800-2.....	1,608.00	0850-11.....	1,771.00	0920	692.00
0802-M32.....	593.00	0850-15.....	1,771.00	0921	692.00
0802D.....	770.00	0850-4KW	2,893.00	M79LY.....	1,385.00
0803	597.00	0851-11.....	1,036.00		
0810-M32.....	593.00	0851-12-KW-1	1,179.00		





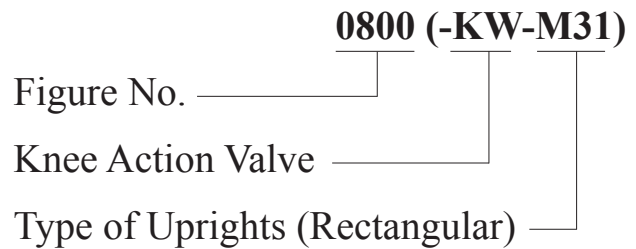
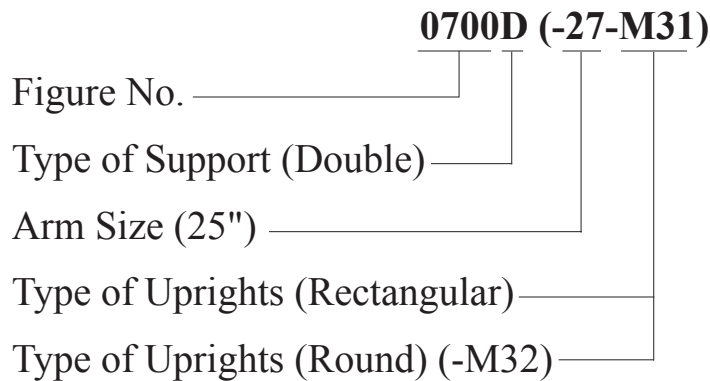
ORDERING GUIDELINES



0700-0900 SERIES

After identifying the proper options required to meet the engineering specification, place order as shown below:

Examples:



*All variation suffixes are to be shown in parenthesis.

**Refer to submittal for arm size required.

Example: -M24 Extension Adaptor

Order as follows: -M2404

Sizes Available:

03 - 3"

04 - 4 1/4"

05 - 5"

06 - 6"

07 - 7 1/2"

LAVATORY & SINK SUPPORTS



Fig. 0700



Fig. 0700 (-E)



Fig. 0700 (-M31)



Fig. 0700 (-27-M31)



Fig. 0710



Fig. 0710 (-E)



Fig. 0720 (-E)



Fig. 0722 (-E)



Fig. 0723 (-E)



Fig. 0728 (-E)



Fig. 0750



Fig. 0752



Fig. 0760



Fig. 0762



Fig. 0770



Fig. 0780



Fig. 0790



Fig. 0792



Fig. 0800



Fig. 0801



Fig. 0805



Fig. 0823



Fig. 0824



Fig. 0825-0827



Fig. 0826-0828



Fig. 0830



Fig. 0831



Fig. 0844



Fig. 0870



Fig. 0871



Fig. 0914



Fig. 0915



Fig. 0924



Fig. 0925

TECHNICAL DATA

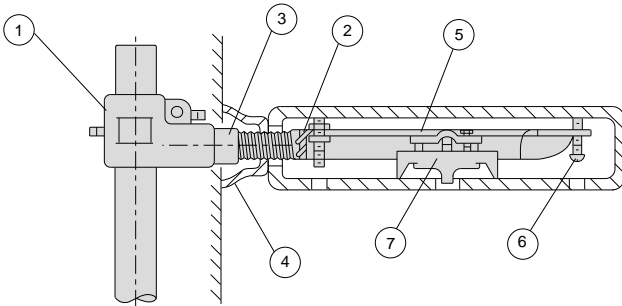
Fixture supports have been designed to secure and support lavatories, sinks, electric water coolers, hospital service and scrub-up sinks, and many other types of off-the-floor fixtures. The supports for these fixtures are divided into two general categories: Floor Mounted Supports and Wall Mounted Supports.

"SURE-SET" CONCEALED ARMS

Specification and installation of "off-the-floor" lavatories, sinks and similar fixtures has greatly accelerated due to their many superior qualities. Smith engineers, recognizing this trend have greatly improved the existing methods of supporting these fixtures and among these improvements, sure-set concealed arms provide the most reliable method of supporting lavatories on concealed arms.

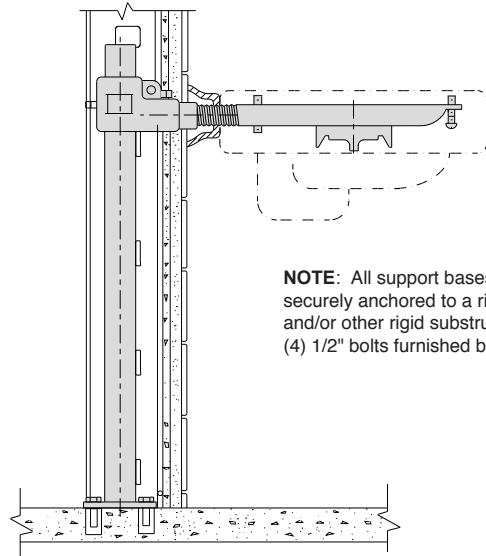


ENGINEERED FEATURES OF THE SMITH "SURE-SET" CONCEALED ARM



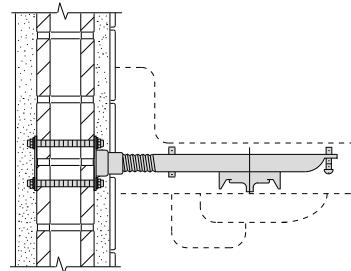
- ① **Adjustable Sleeve** - Adjusts vertically to meet specific rough-in heights and is threaded internally to receive concealed arm.
- ② **Threaded Concealed Arm** - Easily threaded into the adjustable sleeve for positive fixture support.
- ③ **Extended Lock Nut** - Accessible from the face of finished wall permanently locks the concealed arm in place.
- ④ **Threaded Escutcheon** - Chrome Plated and threaded to the concealed arm, stays permanently in place.
- ⑤ **Adjustment Slot** - Provides ease of adjusting locking device to suit the rough-in dimensions of the fixture specified.
- ⑥ **Leveling Screws** - Are provided for proper leveling of fixture.
- ⑦ **"Sure-set" Locking Device** - Two serrated locking surfaces grip the bottom of the lavatory, permanently locking fixture to arm. Locking device boss protrudes through punching in underside of lavatory to prevent removal of the lavatory from the arm.
- ⑧ **Packaging** - Arms are separately packaged and fully assembled, ready for installation.

TYPICAL ARRANGEMENTS OF FLOOR AND WALL MOUNTED SUPPORTS



NOTE: All support bases must be securely anchored to a rigid floor and/or other rigid substructure with (4) 1/2" bolts furnished by others.

"PRO-SET" FLOOR MOUNTED UPRIGHT SUPPORT - "Pro-Set" is the trade name for the Smith system using uprights welded to base plates. This applies to round or rectangular uprights. The function of the support is to provide the means of mounting an off-the-floor fixture so that the vertical load bearing members are completely concealed inside the wall. This system has no external contact with the finished floor inside the room.



WALL MOUNTED SUPPORT - The function of this support is to provide for securing of the fixture to the wall in areas where a floor mounted support cannot be installed. The wall structure must be of sufficient strength to support the entire weight of the fixture.

NOTE: Single Plates for Battery Applications Available See Figs. 0722, 0722 (-E), 0728 and 0728 (-E).

REGULARLY FURNISHED: Floor or wall mounted supports with concealed or exposed arms, and/or with plate and studs as indicated by figure number selected. Exposed arm assemblies are acid resistant coated. Base supports for floor mounted type are welded to uprights. Escutcheons and exposed trim are chromium plated.

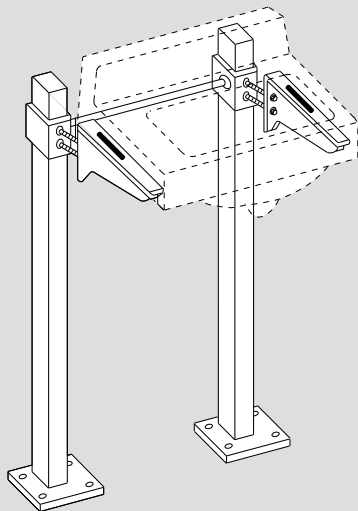
NOTE: SMITH provides Fixture Support Selection Guides which list the proper support for the fixture specified. Also furnished with each shipment of fixture supports are rough-in instructions of the support specified.

FURNISHED WHEN SPECIFIED - Exposed arm plate and studs with vandal proof trim. To specify, add Suffix -U to figure number of support desired.

NOTE: When ordering lavatories for use with concealed arms, it should be so stated to the fixture manufacturer so that the proper fixture will be furnished for use with a concealed arm support.

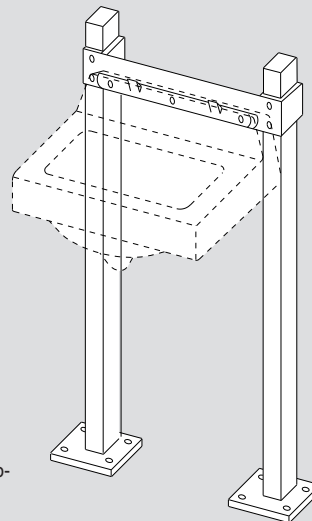
Although the concealed arm type of fixture support is the most popular today because of the various installation and esthetic features, there are two other basic types of fixture supports.

EXPOSED ARM SUPPORT



Vitreous China lavatory designed for use with acid resistant coated exposed arm support. Specify Fig. 0870 (-M31).

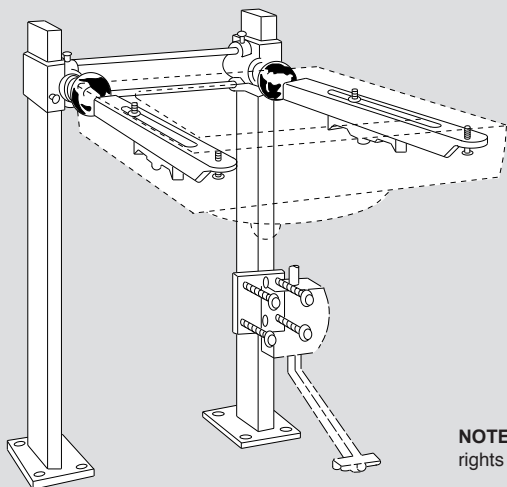
HANGER TYPE SUPPORT



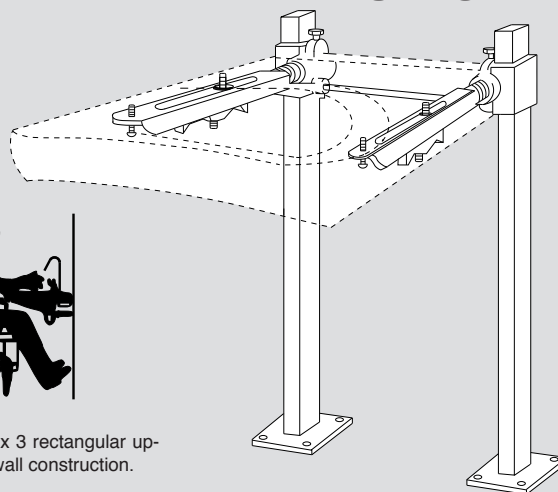
Enameled iron high back lavatory supported on a hanger type fixture support. Specify Fig. 0800 (-M31).

NOTE: It is recommended that Suffix -M31, 1 x 3 rectangular up-rights (as shown) be used in non-load bearing wall construction.

SUPPORTS FOR HOSPITAL AND HANDICAPPED FIXTURES

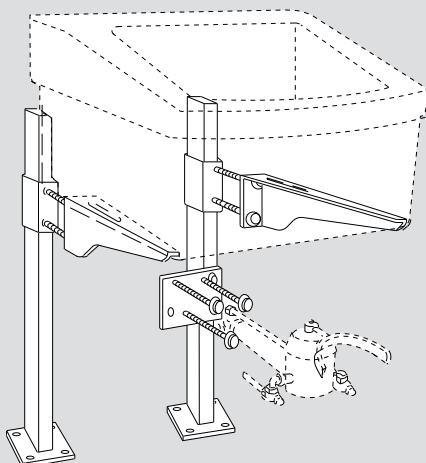


Surgeon's Lavatory - With pedal operated mixing valve for use in patient care areas. Specify Fig. 0700 (-E-KW-M31).

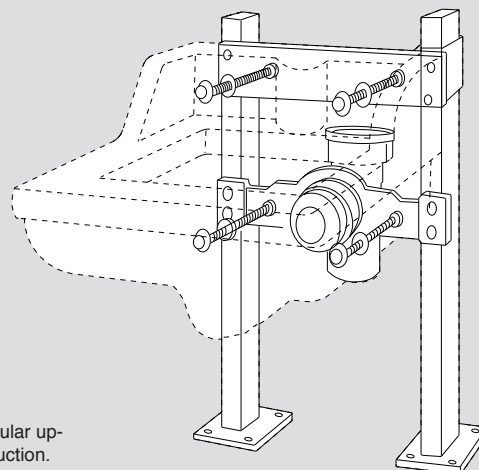


Wheelchair Lavatory - This lavatory has been expressly designed for wheelchair patient's needs. It provides adequate space beneath it for the wheelchair. Specify Fig. 0700 (-27-M31).

NOTE: It is recommended that Suffix -M31, 1 x 3 rectangular up-rights (as shown) be used in non-load bearing wall construction.



Surgeon's Scrub-up-Sink - For use in scrub rooms, emergency rooms and treatment areas, with knee-operated valve. Specify Fig. 0870 (-KW-M31).

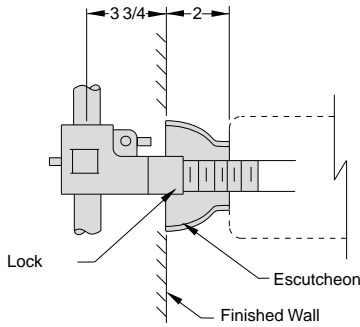


Clinic Service Sink - For use in utility rooms, emergency rooms and clean-up rooms. Specify Fig. 0915 (-M31). This support is supplied with a waste fitting and an adjustable coupling.

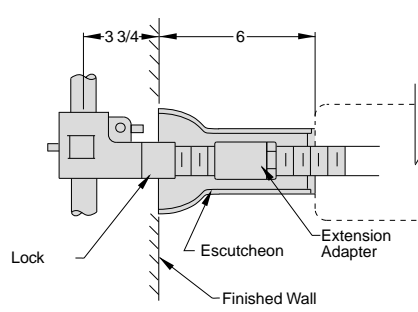
NOTE: It is recommended that Suffix -M31, 1 x 3 rectangular up-rights (as shown) be used in non-load bearing wall construction.

Always specify fixture make, number and size. Specify knee-action or pedal valve name and number when required.

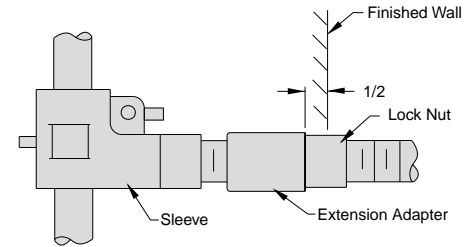
VARIATIONS AND INSTALLATION



SUFFIX -E Threaded Escutcheon. When using lavatories of the flat slab type, the manufacturer requires a 2" dimension from the face of the wall to the rear of the lavatory. The 2" dimension prevents water from accumulating at the wall and causing deterioration. The escutcheon is chrome plated and is available on all concealed arm type supports. Add Suffix -E to figure number required.

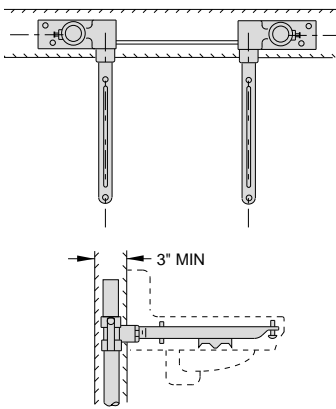


SUFFIX -E6 6" Long Threaded Escutcheon. When lavatories of the flat slab type are to be set away from the wall beyond the normal 2" setting, a 6" long escutcheon is provided with the same threaded arrangement as the regular 2" escutcheon. This escutcheon is chrome plated and is available on all concealed arm type supports. Add Suffix -E6 to figure number required.

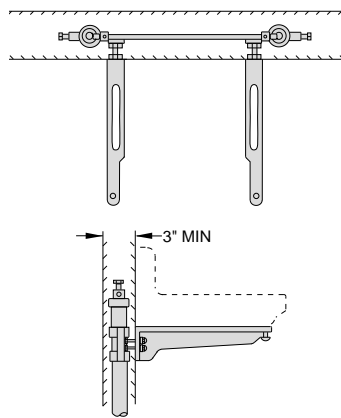


SUFFIX -M24 Extension Adaptor for Concealed Arm Support. When the standard (3 3/4") dimension from the face of the wall to the centerline of support upright, as shown in the illustration, is exceeded, use Suffix -M24 extension adaptor. The face of the extension adaptor should be set 1/2" in back of finished wall so the standard concealed arm and locking arrangement can be used for the lavatory regardless of the wall thickness. Add Suffix -M24 to Fig. No. required.

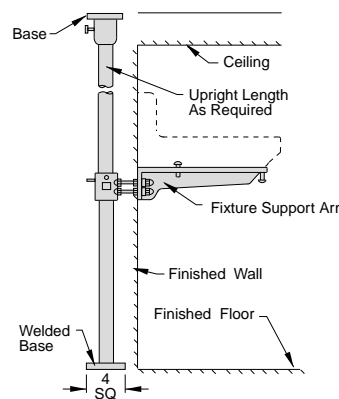
NOTE: Always specify overall wall thickness and center line of support location.



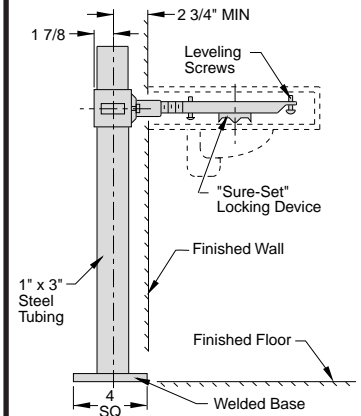
SUFFIX -Z Special Narrow Sleeve and Base for Concealed Arm Support. When a concealed arm lavatory support is to be installed in a narrow wall, a special narrow concealed arm sleeve and base are available for this type of installation. Add Suffix -Z to figure number required.



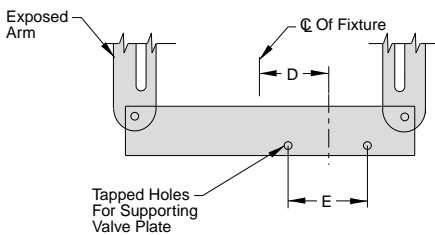
SUFFIX -Z Special Narrow Sleeve and Base for Exposed Arm Support. When an exposed arm lavatory or sink support is to be installed in a narrow wall, a special narrow sleeve and base are available for this type of installation. Add Suffix -Z to figure number required.



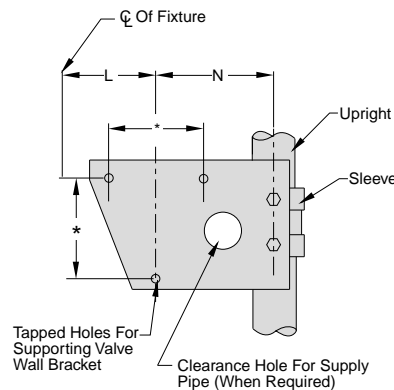
SUFFIX -M11 Floor-to-Ceiling Uprights When required, floor mounted fixture supports can be supplied with floor-to-ceiling uprights for securing to the floor and to the ceiling above. Add Suffix -M11 to figure number required.



SUFFIX -M31 Rectangular Steel Uprights with Welded Bases. For use with metal stud and sheet rock wall construction. The rectangular shape upright offers greater structural strength and does not rely on the wall construction for support of the fixture. The rectangular upright keeps deflection to a minimum. For use with all floor mounted fixture supports. Add Suffix -M31 to figure number required.

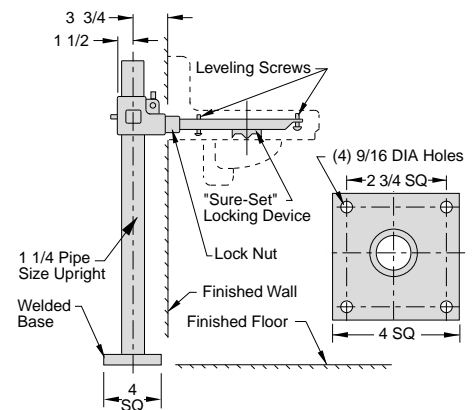


SUFFIX -KF Supporting Bar for Fixture Mounted Knee-Action Valve. Can be furnished on any exposed arm, wall or floor mounted sink support. Add Suffix -KF to figure number required.



*Dimension based on valve used.

SUFFIX -KW Supporting Plate for Wall Mounted Knee-Action Valve. Can be furnished on any floor mounted lavatory or sink support. Add Suffix -KW to figure number required.



WELDED BASE Regularly Furnished. Round steel upright with welded base. Used with floor mounted fixture supports. The base should be securely anchored to the floor construction w/(4) 1/2" bolts. (By others)

FIXTURE SUPPORTS

FIG. 0700, 0700D LAVATORY SUPPORTS WITH CONCEALED ARMS FLOOR MOUNTED WITH "PRO-SET" UPRIGHTS FOR HIGH BACK LAVATORIES



FIXTURE SUPPORTS

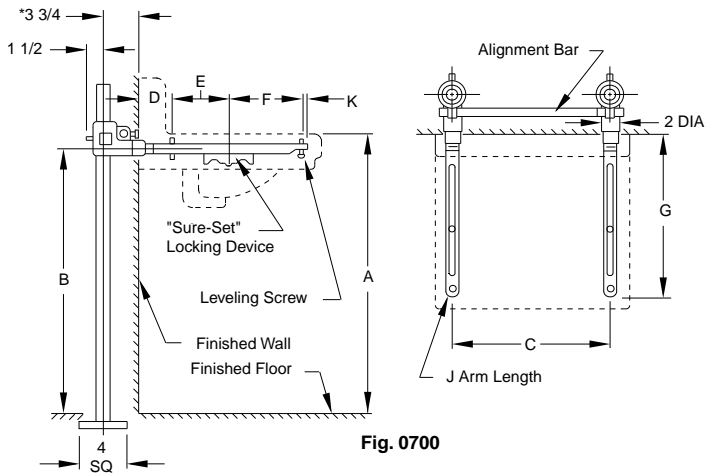


Fig. 0700

FIGURE NO.	DESCRIPTION	PRICE	APPROX. WT. LBS.
0700	Single Support	394.00	29
0700D	Back to Back Support	655.00	41

NOTE: *This dimension can be increased when fixture support is to be installed behind the wall. (Specify when required and wall thickness).

For lettered dimensions contact factory.

FIG. 0700-27, 0700-27-M31, 0700D-27-M31 LAVATORY SUPPORTS WITH CONCEALED ARMS FLOOR MOUNTED TYPE FOR FLAT SLAB LAVATORIES

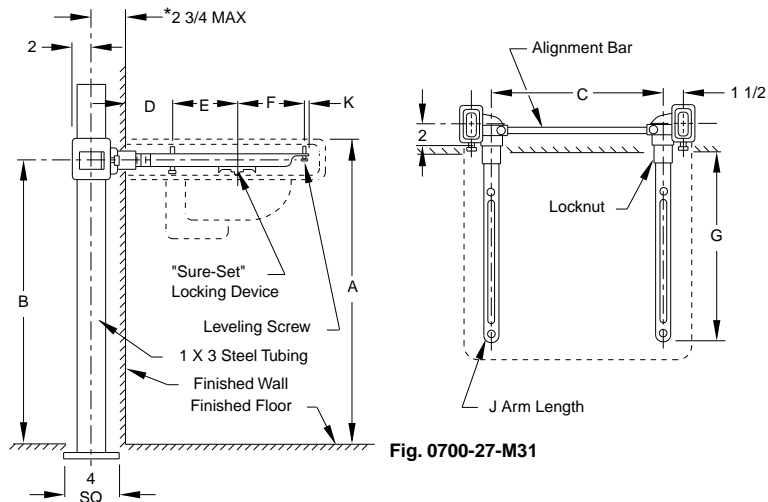


Fig. 0700-27-M31

FIGURE NO.	DESCRIPTION	PRICE	APPROX. WT. LBS.
0700-27	Single Support for Wheelchair Lavatories	609.00	34
0700-27-M31	Single Support for Wheelchair Lavatories with Heavy Duty Rectangular Uprights	609.00	34
0700D-27-M31	Double Support for Wheelchair Lavatories with Heavy Duty Rectangular Uprights	889.00	40

NOTE: *This dimension can be increased when fixture support is to be installed behind the wall. (Specify when required and wall thickness).

For lettered dimensions contact factory.

NOTE: Service weight regularly furnished on fittings above.
NOTE: Always specify fixture manufacturer's model name and number.

†REGULARLY FURNISHED



FIXTURE SUPPORTS

FIG. 0700E, 0700DE LAVATORY SUPPORTS WITH CONCEALED ARMS FLOOR MOUNTED TYPE FOR FLAT SLAB LAVATORIES

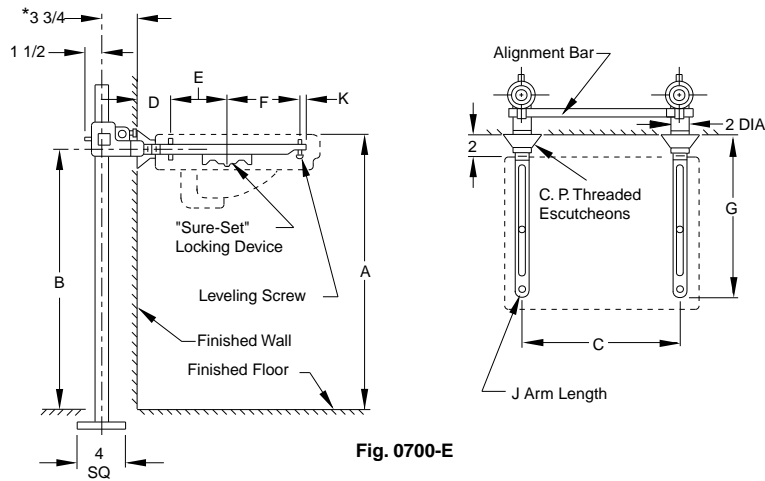


Fig. 0700-E

FIGURE NO.	DESCRIPTION	PRICE	APPROX. WT. LBS.
0700E	Single Support w/2" CP Escutcheons	472.00	30
0700DE	Back to Back Support w/2" CP Escutcheons	790.00	42

NOTE: *This dimension can be increased when fixture support is to be installed behind the wall. (Specify when required and wall thickness).

For lettered dimensions contact factory.

FIG. 0710, 0710D LABOR SAVER® LAVATORY SUPPORTS FLOOR MOUNTED TYPE FOR HIGH BACK LAVATORIES

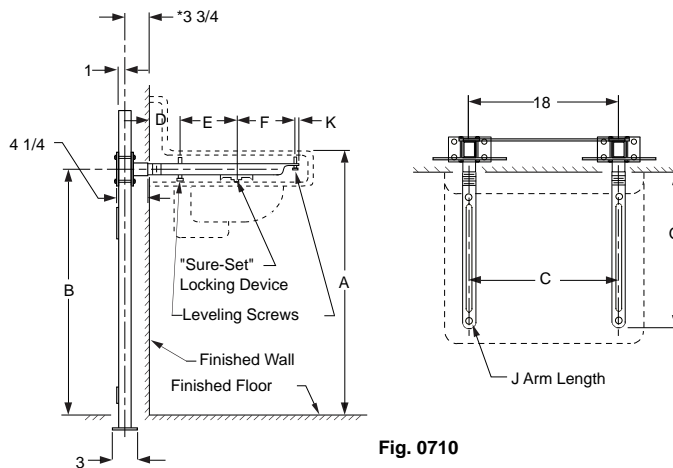


Fig. 0710

FIGURE NO.	DESCRIPTION	PRICE	APPROX. WT. LBS.
0710	Single Support	1,034.00	29
0710D	Back to Back Support	1,531.00	41

NOTE: *This dimension can be increased when fixture support is to be installed behind the wall. (Specify when required and wall thickness).

For lettered dimensions contact factory.

NOTE: Service weight regularly furnished on fittings above.
NOTE: Always specify fixture manufacturer's model name and number.

†REGULARLY FURNISHED



FIXTURE SUPPORTS

FIG. 0710-27, 0710D-27 LABOR SAVER® LAVATORY SUPPORTS FLOOR MOUNTED TYPE FOR FLAT SLAB LAVATORIES



FIXTURE SUPPORTS

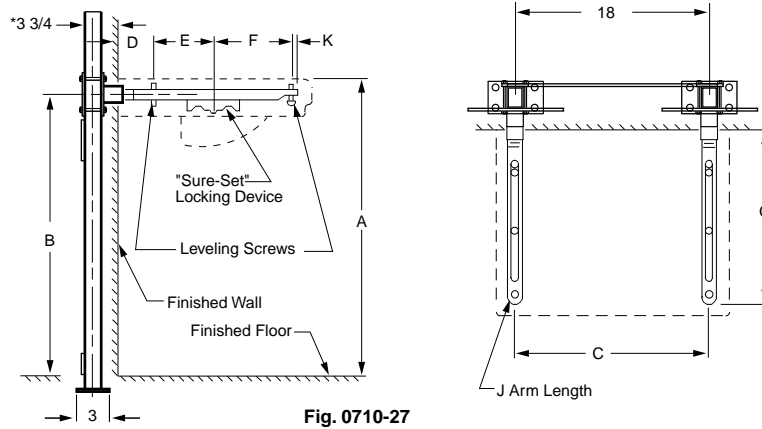


Fig. 0710-27

FIGURE NO.	DESCRIPTION	PRICE	APPROX. WT. LBS.
0710-27	Single Support for Wheelchair Lavatories	1,078.00	34
0710D-27	Double Support for Wheelchair Lavatories	1,631.00	42

NOTE: *This dimension can be increased when fixture support is to be installed behind the wall. (Specify when required and wall thickness).

For lettered dimensions contact factory.

FIG. 0710E, 0710DE LABOR SAVER® LAVATORY SUPPORTS FLOOR MOUNTED TYPE FOR FLAT SLAB LAVATORIES

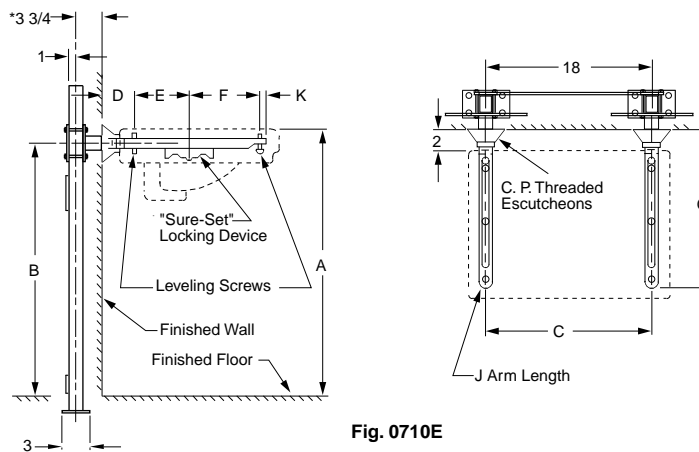


Fig. 0710E

FIGURE NO.	DESCRIPTION	PRICE	APPROX. WT. LBS.
0710E	Single Support w/2" CP Escutcheons	1,151.00	30
0710DE	Back to Back Support w/2" CP Escutcheons	1,765.00	42

NOTE: *This dimension can be increased when fixture support is to be installed behind the wall. (Specify when required and wall thickness).

For lettered dimensions contact factory.

NOTE: Service weight regularly furnished on fittings above.
NOTE: Always specify fixture manufacturer's model name and number.

†REGULARLY FURNISHED



FIXTURE SUPPORTS

FIG. 0720, 0722, 0723, 0727, 0728 LAVATORY SUPPORTS WALL MOUNTED TYPE FOR HIGH BACK LAVATORIES—SINGLE SUPPORT

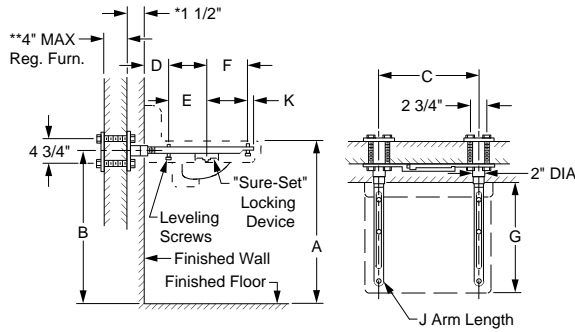


Fig. 0720

* This dimension can be increased when required. (Specify thickness)

**For greater wall thickness, longer supporting studs can be furnished. (Specify wall thickness)

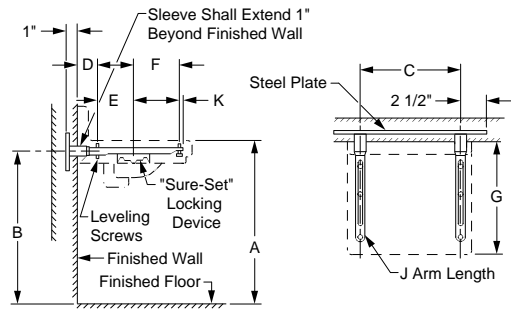


Fig. 0722

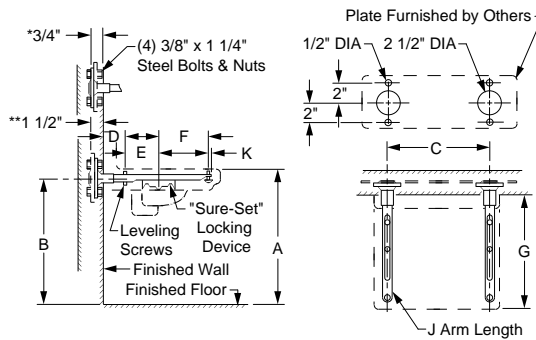


Fig. 0723

* Arm support bracket shown bolted in back of wall plate for plaster wall construction.

**Arm support bracket shown bolted in front of wall plate for tile wall construction.

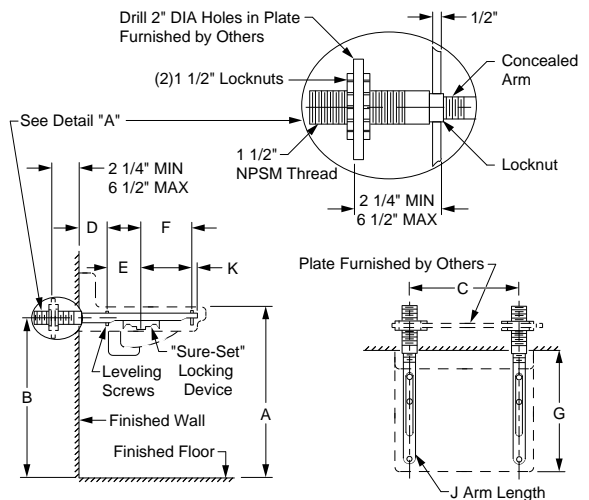


Fig. 0727

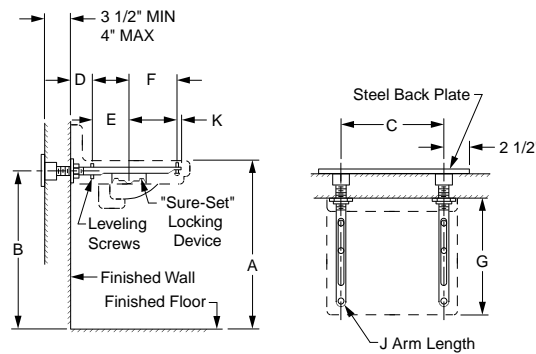


Fig. 0728

For lettered dimensions contact factory.

FIGURE NO.	DESCRIPTION	PRICE	APPROX. WT. LBS.
0720	Set on Masonry or Stud Wall	348.00	22
0722	Set on Steel Plate Secured in Wall	256.00	22
0723	To Attach to Backing Plate Secured in Wall	264.00	22
0727	Using Adjustable Extension	338.00	23
0728	Set on Steel Plate Secured to Glazed Block Wall	256.00	24

NOTE: Service weight regularly furnished on fittings above.
NOTE: Always specify fixture manufacturer's model name and number.



FIXTURE SUPPORTS

FIG. 0720E, 0722E, 0723E, 0727E, 0728E LAVATORY SUPPORTS WALL MOUNTED TYPE FOR FLAT SLAB LAVATORIES—SINGLE SUPPORT



FIXTURE SUPPORTS

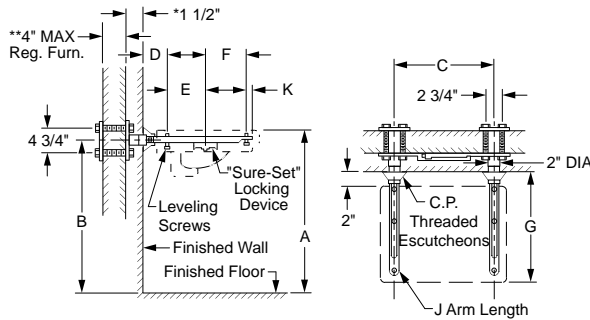


Fig. 0720E

- * This dimension can be increased when required. (Specify thickness)
- **For greater wall thickness, longer supporting studs can be furnished. (Specify wall thickness)

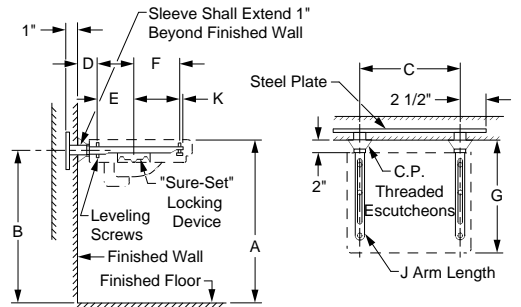


Fig. 0722E

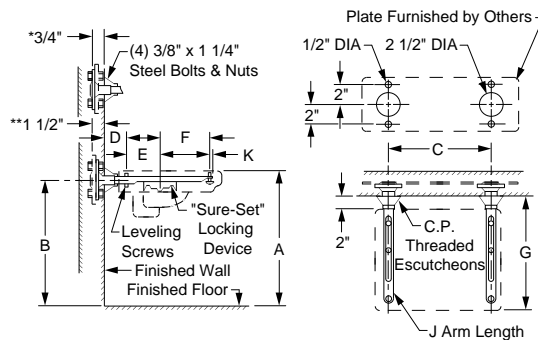


Fig. 0723E

- * Arm support bracket shown bolted in back of wall plate for plaster wall construction.
- ** Arm support bracket shown bolted in front of wall plate for tile wall construction.

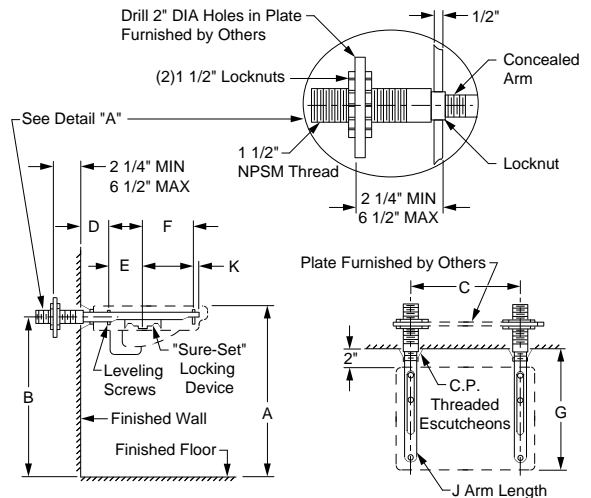


Fig. 0727E

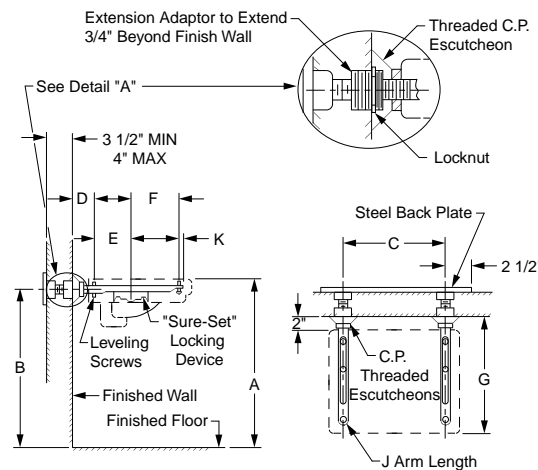


Fig. 0728E

For lettered dimensions contact factory.

FIGURE NO.	DESCRIPTION	PRICE	APPROX. WT. LBS.
0720E	Set on Masonry or Stud Wall	447.00	24
0722E	Set on Steel Plate Secured in Wall	355.00	24
0723E	To Attach to Backing Plate Sec'd in Wall	359.00	24
0727E	Using Adjustable Extension	433.00	25
0728E	Set on Steel Plate Secured to Glazed Block Wall	355.00	26

NOTE: Service weight regularly furnished on fittings above.
NOTE: Always specify fixture manufacturer's model name and number.



FIXTURE SUPPORTS

FIG. 0750, 0750D LAVATORY SUPPORTS WITH ARC EXPOSED ARMS FLOOR MOUNTED TYPE FOR FLAT SLAB AND HIGH BACK LAVATORIES

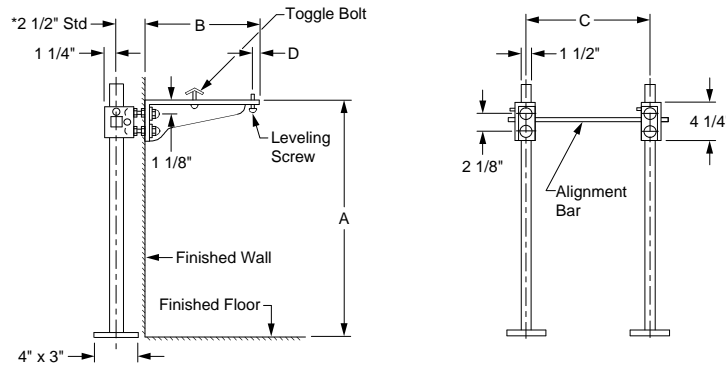


Fig. 0750

NOTE: *This dimension can be increased when fixture support is to be installed behind the wall. (Specify when required and wall thickness).

NOTE: For metal stud wall construction, specify Suffix -M31 rectangular steel upright with welded base for greater strength.

For lettered dimensions contact factory.

FIGURE NO.	DESCRIPTION	PRICE	APPROX. WT. LBS.
0750	Single Support	834.00	32
0750D	Back to Back Support	1,292.00	41

FIG. 0752, 0752D LAVATORY SUPPORTS WITH ARC EXPOSED ARMS FLOOR MOUNTED TYPE FOR HIGH BACK ENAMELED IRON LAVATORIES

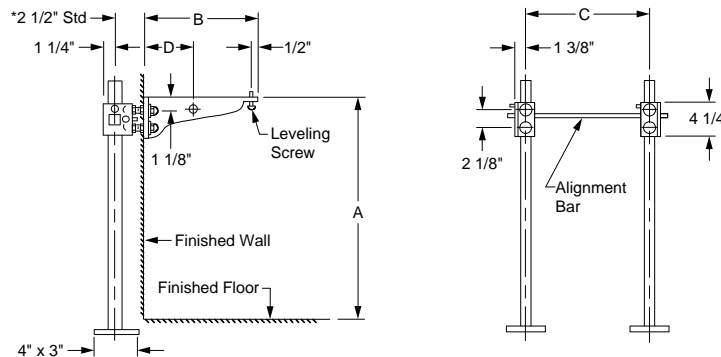


Fig. 0752

NOTE: *This dimension can be increased when fixture support is to be installed behind the wall. (Specify when required and wall thickness).

NOTE: For metal stud wall construction, specify Suffix -M31 rectangular steel upright with welded base for greater strength.

For lettered dimensions contact factory.

FIGURE NO.	DESCRIPTION	PRICE	APPROX. WT. LBS.
0752	Single Support for Wheelchair Lavatories	834.00	26
0752D	Single Support for Wheelchair Lavatories	1,292.00	33

NOTE: Service weight regularly furnished on fittings above.
NOTE: Always specify fixture manufacturer's model name and number.



FIXTURE SUPPORTS

FIG. 0760, 0760D LABOR SAVER® LAVATORY SUPPORTS WITH ARC EXPOSED ARMS FLOOR MOUNTED TYPE FOR FLAT SLAB AND HIGH BACK LAVATORIES



FIXTURE SUPPORTS

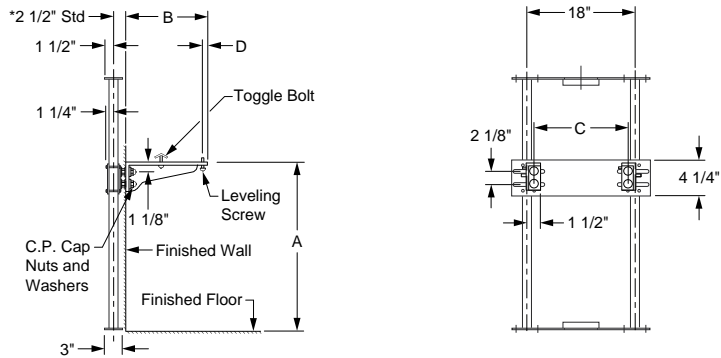


Fig. 0760

NOTE: *This dimension can be increased when fixture support is to be installed behind the wall. (Specify when required and wall thickness).

For lettered dimensions contact factory.

FIGURE NO.	DESCRIPTION	PRICE	APPROX. WT. LBS.
0760	Single Support	1,056.00	32
0760D	Back to Back Support	1,660.00	41

FIG. 0762, 0762D LABOR SAVER® LAVATORY SUPPORTS WITH ARC EXPOSED ARMS FLOOR MOUNTED TYPE FOR HIGH BACK ENAMELED IRON LAVATORIES

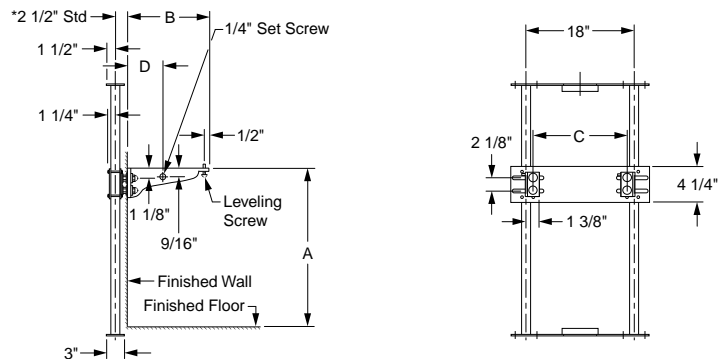


Fig. 0762

NOTE: *This dimension can be increased when fixture support is to be installed behind the wall. (Specify when required and wall thickness).

For lettered dimensions contact factory.

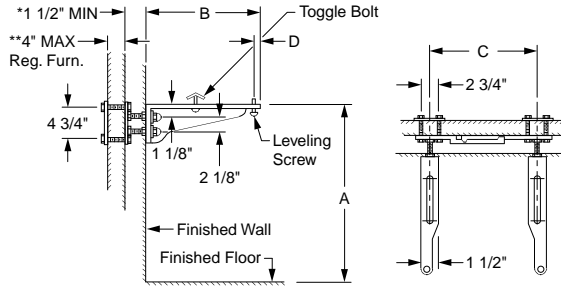
FIGURE NO.	DESCRIPTION	PRICE	APPROX. WT. LBS.
0762	Single Support for Wheelchair Lavatories	1,056.00	26
0762D	Double Support for Wheelchair Lavatories	1,660.00	33

NOTE: Service weight regularly furnished on fittings above.
NOTE: Always specify fixture manufacturer's model name and number.



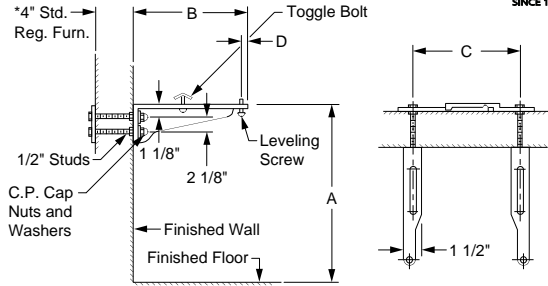
FIXTURE SUPPORTS

FIG. 0770, 0780, 0790, LAVATORY SUPPORTS WITH ARC EXPOSED ARMS WALL MOUNTED TYPE FOR FLAT SLAB AND HIGH BACK LAVATORIES



* This dimension can be increased when required (specify wall thickness).
 ** For greater wall thickness, longer support studs can be furnished (specify wall thickness).

Fig. 0770



* This dimension can be increased when required (specify wall thickness).

Fig. 0780

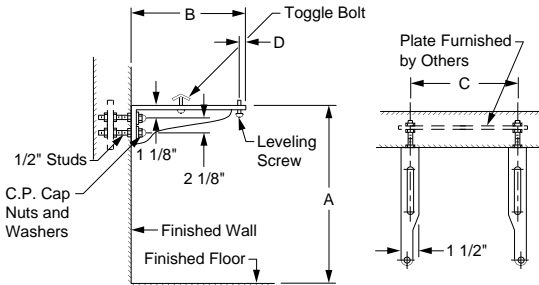
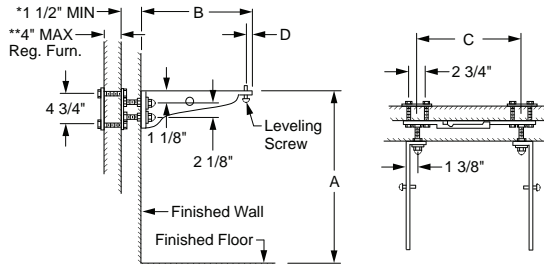


Fig. 0790

For lettered dimensions contact factory.

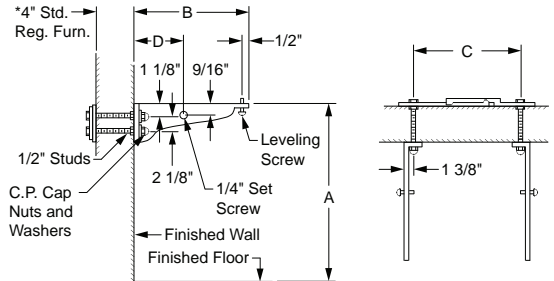
FIGURE NO.	DESCRIPTION	PRICE	APPROX. WT. LBS.
0770	Set on Masonry or Stud Wall	793.00	24
0780	Set on Glazed Block Wall	448.00	23
0790	To Attach to Backing Plate Secured in Wall	367.00	23

FIG. 0772, 0782, 0792 LAVATORY SUPPORTS WITH ARC EXPOSED ARMS FLOOR MOUNTED TYPE FOR HIGH BACK ENAMELED IRON LAVATORIES



* This dimension can be increased when required (specify wall thickness).
 ** For greater wall thickness, longer support studs can be furnished (specify wall thickness).

Fig. 0772



* This dimension can be increased when required (specify wall thickness).

Fig. 0782

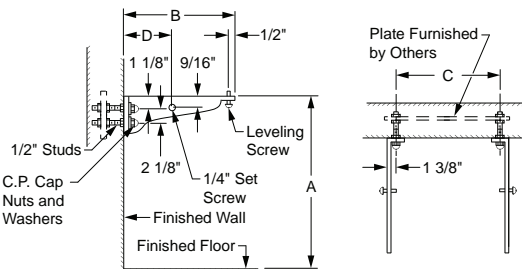


Fig. 0792

For lettered dimensions contact factory.

FIGURE NO.	DESCRIPTION	PRICE	APPROX. WT. LBS.
0772	Set on Masonry or Stud Wall	699.00	18
0782	Set on Glazed Block Wall	448.00	18
0792	To Attach to Backing Plate Secured in Wall	367.00	13

NOTE: Service weight regularly furnished on fittings above.
 NOTE: Always specify fixture manufacturer's model name and number.



FIXTURE SUPPORTS

FIG. 0800, 0805 LAVATORY SUPPORTS FLOOR MOUNTED TYPE SUPPORTS WITH SUPPORTING PLATE & HARDWARE



FIXTURE SUPPORTS

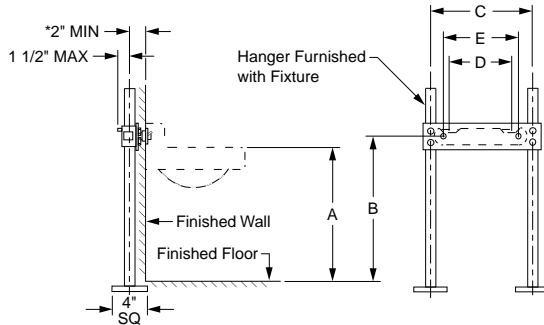


Fig. 0800

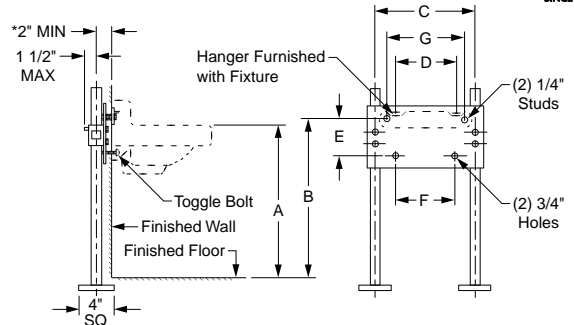


Fig. 0805

*This dimension can be increased when fixture support is to be installed behind the wall (specify when required and wall thickness).

NOTE: For metal stud wall construction, specify Suffix -M31 rectangular steel upright with welded base for greater strength.

For lettered dimensions contact factory.



FIGURE NO.	DESCRIPTION	PRICE	APPROX. WT. LBS.
0800	With Bar Hanger	312.00	26
0805	With Bar Hanger & Bottom Securing Lugs	POA	17

FOR INFORMATION ON POA ITEMS, PLEASE CONTACT YOUR LOCAL JAY R. SMITH REPRESENTATIVE

FIG. 0801, 0801D LABOR SAVER® LAVATORY SUPPORTS FLOOR MOUNTED TYPE SUPPORTS WITH SUPPORTING PLATE & HARDWARE

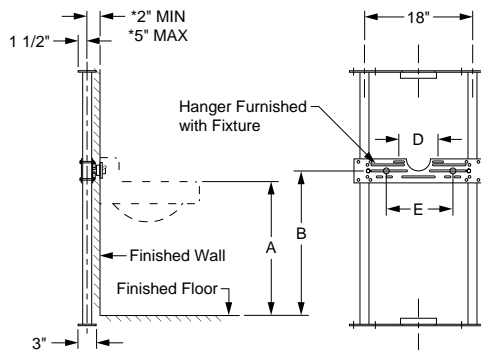


Fig. 0801

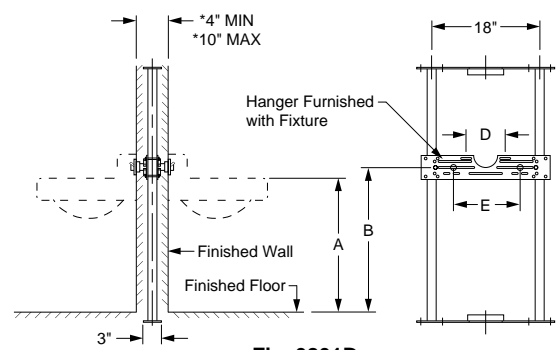


Fig. 0801D

*This dimension can be increased when fixture support is to be installed behind the wall (specify when required and wall thickness).

For lettered dimensions contact factory.

FIGURE NO.	DESCRIPTION	PRICE	APPROX. WT. LBS.
0801	Single-With Bar Hanger	567.00	26
0801D	Double-With Bar Hanger	747.00	35

NOTE: Service weight regularly furnished on fittings above.
NOTE: Always specify fixture manufacturer's model name and number.



FIXTURE SUPPORTS

FIG. 0823, 0824, 0830, 0834, 0844 LAVATORY & DRINKING FOUNTAIN SUPPORTS FLOOR MOUNTED TYPE WITH SUPPORTING PLATE AND STUDS

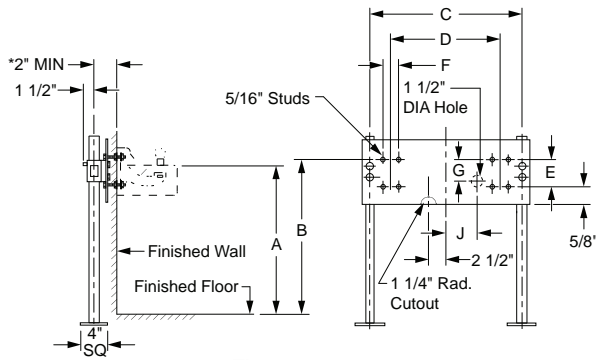


Fig. 0823

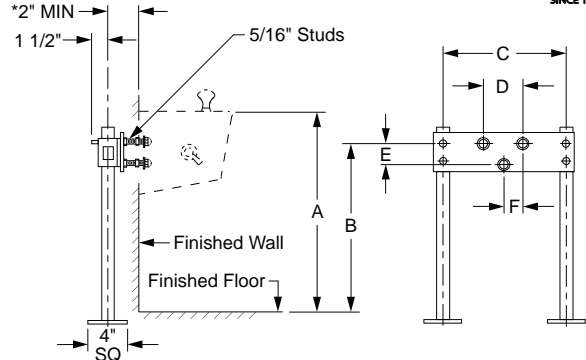


Fig. 0824

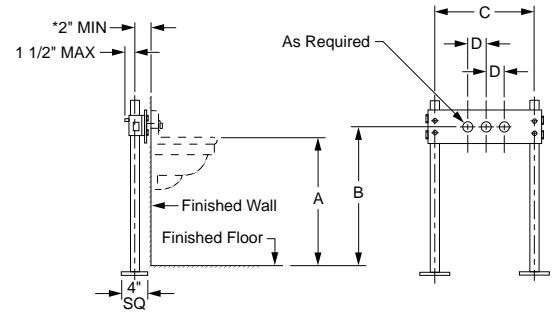


Fig. 0844

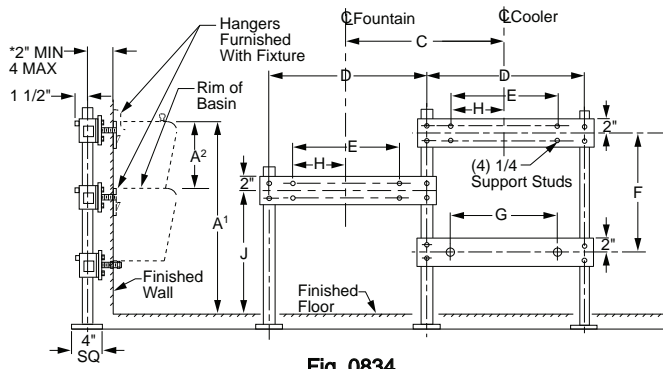


Fig. 0834

*This dimension can be increased when fixture support is to be installed behind the wall (specify when required and wall thickness).

NOTE: For metal stud wall construction, specify Suffix -M31 rectangular steel upright with welded base for greater strength. (0823, 0824, 0830 & 0844 only)

For lettered dimensions contact factory.

FIGURE NO.	DESCRIPTION	PRICE	APPROX. WT. LBS.
0823	For Multiple Drinking Fountains with Wall Brackets	POA	
0824	For Small Drinking Fountains with Integral Hangers	548.00	20
0830	For Electric Water Coolers	360.00	32
0834	For Electric Water Coolers	700.00	32
0844	For High Back Institutional Type Lavatories	312.00	32

FOR INFORMATION ON POA ITEMS, PLEASE CONTACT YOUR LOCAL JAY R. SMITH REPRESENTATIVE

NOTE: Service weight regularly furnished on fittings above.
NOTE: Always specify fixture manufacturer's model name and number.



FIXTURE SUPPORTS

FIG. 0825, 0826, 0827, 0828 LAVATORY & DRINKING FOUNTAIN SUPPORTS WALL MOUNTED TYPE WITH SUPPORTING PLATE AND STUDS



FIXTURE SUPPORTS

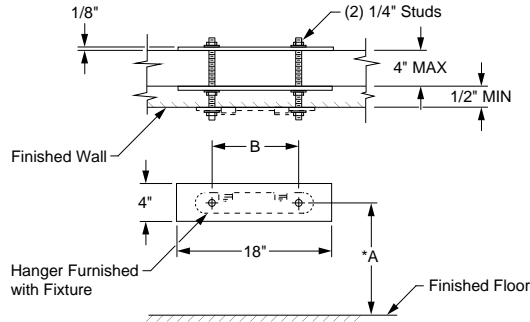


Fig. 0825

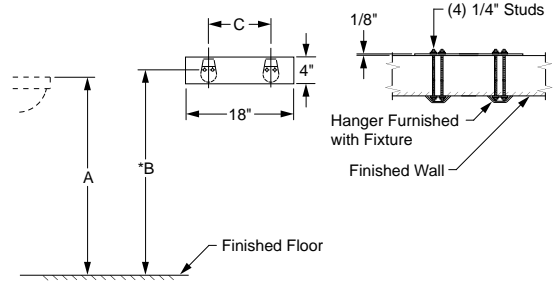


Fig. 0828

***NOTE:** This dimension is based on a rim to finish floor height of 31".

For lettered dimensions contact factory.

FIGURE NO.	DESCRIPTION	PRICE	APPROX. WT. LBS.
0825	For High Back Lavatories with Double Reinforced Plates	171.00	13
0826	For High Back Lavatories with Single Reinforced Plates	96.00	13
0827	For Washdown Urinals with Double Reinforced Plates	171.00	15
0828	For Washdown Urinals with Single Reinforced Plates	96.00	13

FIG. 0831 LABOR SAVER® LAVATORY AND SINK SUPPORTS WITH SUPPORTING PLATE AND STUDS

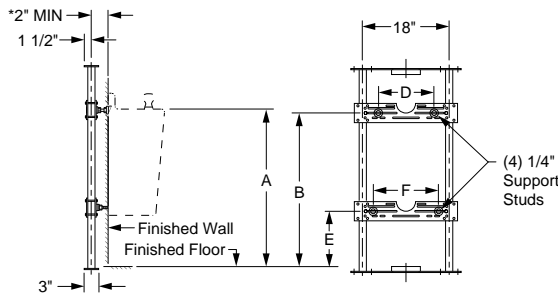


Fig. 0831

*This dimension can be increased when fixture support is to be installed behind the wall (specify when required and wall thickness).

For lettered dimensions contact factory.

FIGURE NO.	DESCRIPTION	PRICE	APPROX. WT. LBS.
0831	For Electric Water Coolers	628.00	32



FIXTURE SUPPORTS

FIG. 0870, 0870D HEAVY DUTY SINK SUPPORTS WITH ARC EXPOSED ARMS FLOOR MOUNTED TYPE

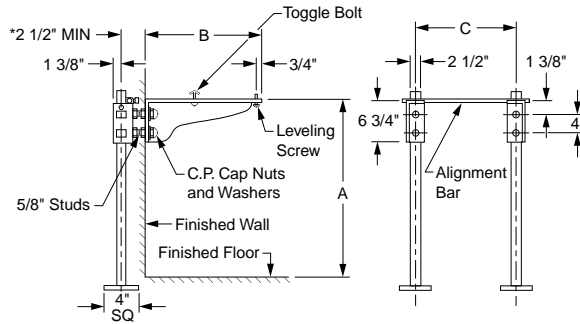


Fig. 0870

*This dimension can be increased when fixture support is to be installed behind the wall (specify when required and wall thickness).

NOTE: For metal stud wall construction, specify Suffix -M31 rectangular steel upright with welded base for greater strength.

For lettered dimensions contact factory.

FIGURE NO.	DESCRIPTION	PRICE	APPROX. WT. LBS.
0870	For Kitchen & Service Sinks-Single Support	834.00	42
0870D	For Kitchen & Service Sinks-Back to Back Support	1,292.00	70

FIG. 0871, 0871D, 0876 HEAVY DUTY SINK SUPPORTS WITH ARC EXPOSED ARMS FOR SINKS WITH CAST LUGS

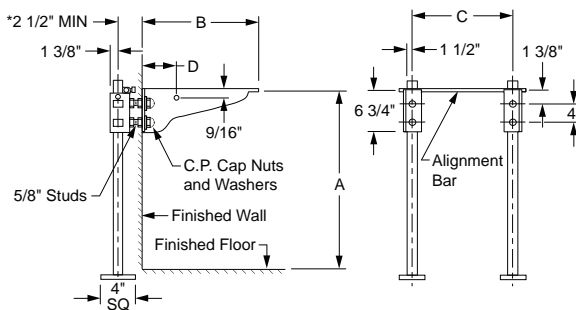


Fig. 0871

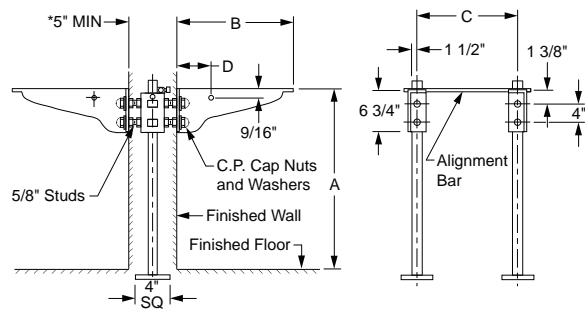


Fig. 0871D

*This dimension can be increased when fixture support is to be installed behind the wall (specify when required and wall thickness).

NOTE: For metal stud wall construction, specify Suffix - M31 rectangular steel upright with welded base for greater strength.

NOTE: For extra heavy duty support with 1 1/2" pipe uprights, add Suffix "X" to Fig. No.

For lettered dimensions contact factory.

FIGURE NO.	DESCRIPTION	PRICE	APPROX. WT. LBS.
0871	For Enamel Iron Service Sinks-Single Support	834.00	23
0871D	For Enamel Iron Service Sinks-Back to Back Support	1,292.00	30
0876	For Perineal Bath	1,356.00	62

NOTE: Service weight regularly furnished on fittings above.
NOTE: Always specify fixture manufacturer's model name and number.



FIXTURE SUPPORTS

FIG. 0913, 0914, 0915, SERIES HEAVY DUTY SUPPORTS FOR SURGICAL SCRUB-UP AND FLUSHING RIM SINKS FLOOR MOUNTED TYPE



FIXTURE SUPPORTS

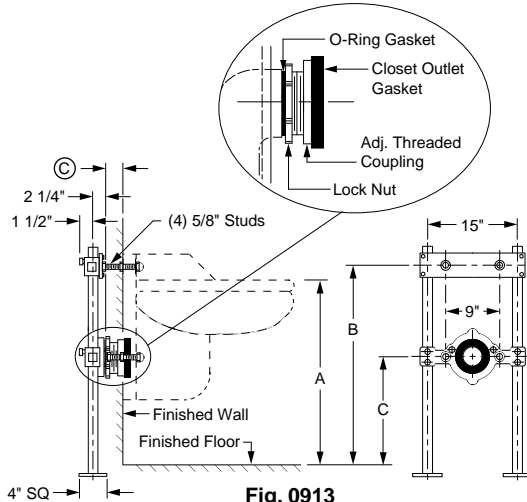


Fig. 0913
Side View

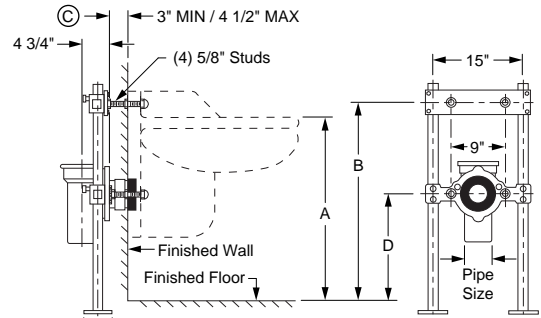


Fig. 0915
Side View

© This dimension can be increased when fixture support is to be installed behind the wall (specify when required and wall thickness).

For lettered dimensions contact factory.

FIGURE NO.	DESCRIPTION	PRICE	APPROX. WT. LBS.
0913	With Supporting Studs & Adjustable Coupling for 3" Back Outlet	1,023.00	49
0914	With Supporting Studs & Adjustable Coupling for 4" Back Outlet	1,023.00	48
0915	4" Caulk Fitting with 4" Vent	1,143.00	60
0915-1	4" Caulk Fitting with 2" Vent	1,143.00	64
0915Y2	3" No-Hub Fitting with 2" Vent	982.00	55
0915Y3	3" No-Hub Fitting with 3" Vent	982.00	57
0915Y4	4" No-Hub Fitting with 2" Vent	1,143.00	58
0915Y5	4" No-Hub Fitting with 4" Vent	1,143.00	58

The water closet gasket regularly furnished is made of molded neoprene and designed to fit water closet outlet dimensions and configurations shown in ANSI Standard A112.19.2M, Figure 13B. If gasket is not found to be compatible to fixture due to nonconformance of said fixture to ANSI A112.19.2M, then fixture manufacturer shall be consulted for a suitable gasket recommendation. Jay R. Smith assumes no liability for connections to fixtures which do not conform to these standards.

FIG. 0923, 0924, 0925, SERIES LABOR SAVER® HEAVY DUTY SUPPORTS FOR SURGICAL SCRUB-UP AND FLUSHING RIM SINKS FLOOR MOUNTED TYPE

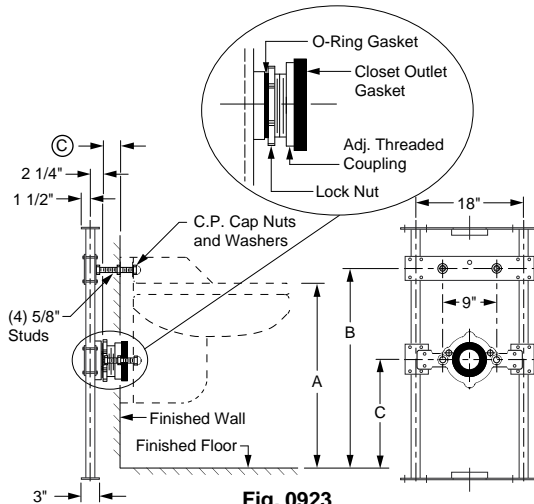


Fig. 0923
Side View

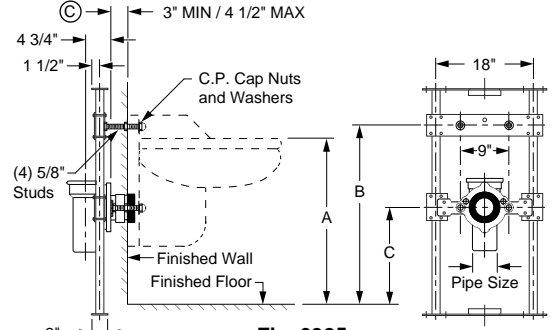


Fig. 0925
Side View

© This dimension can be increased when fixture support is to be installed behind the wall (specify when required and wall thickness).

For lettered dimensions contact factory.

FIGURE NO.	DESCRIPTION	PRICE	APPROX. WT. LBS.
0923	With Supporting Studs & Adjustable Coupling for 3" Back Outlet	898.00	49
0924	With Supporting Studs & Adjustable Coupling for 4" Back Outlet	898.00	48
0925	4" Caulk Fitting with 4" Vent	1,487.00	60
0925-1	4" Caulk Fitting with 2" Vent	1,487.00	64
0925Y2	3" No-Hub Fitting with 2" Vent	1,297.00	55
0925Y3	3" No-Hub Fitting with 3" Vent	1,297.00	57
0925Y4	4" No-Hub Fitting with 2" Vent	1,487.00	58
0925Y5	4" No-Hub Fitting with 4" Vent	1,487.00	58

The water closet gasket regularly furnished is made of molded neoprene and designed to fit water closet outlet dimensions and configurations shown in ANSI Standard A112.19.2M, Figure 13B. If gasket is not found to be compatible to fixture due to nonconformance of said fixture to ANSI A112.19.2M, then fixture manufacturer shall be consulted for a suitable gasket recommendation. Jay R. Smith assumes no liability for connections to fixtures which do not conform to these standards.

NOTE: Service weight regularly furnished on fittings above.
NOTE: Always specify fixture manufacturer's model name and number.

†REGULARLY FURNISHED



SUFFIX NO	TYPE OF VARIATION DESCRIPTION	Approx. Wt Lbs.	ADD FOR	
			SINGLE	DOUBLE
-27	Extended Arms for Handicapped Lavatory	–	38.00	76.00
-E	2" Chrome Plated Bronze Escutcheons (For concealed arm supports only)	1	95.00	190.00
-E4	4" Chrome Plated Bronze Escutcheons (For concealed arm supports only)	1	172.00	342.00
-E6	6" Chrome Plated Escutcheons (For concealed arm supports only)	2	172.00	342.00
-KF	Support Bar for Fixture Mounted Knee Action Valve	1	86.00	172.00
-KW	Support Bar for Wall Mounted Knee Action Valve	1	86.00	172.00
-M11	Floor to Ceiling Uprights	–	POA	POA
-M24	Extension Adaptor For Back of Wall Installations, for each additional inch of wall thickness over 4"	–	POA	POA
-M30	Special Offset Exposed Arm Application	–	N/C	N/C
-M31	Heavy Duty 3 X 1" Rectangular Uprights	–	N/C	N/C
-U	Vandal Proof Trim	–	75.00	150.00
-Z	For Narrow Wall Installations	–	N/C	N/C

NOTE: Service weight regularly furnished on fittings above.
 NOTE: Always specify fixture manufacturer's model name and number.



ROOF DRAINS



ROOF DRAINS



Fig. 1001



Fig. 1005



Fig. 1010



Fig. DX1010



Fig. 1011



Fig. 1011-83



Fig. 1015



Fig. 1015-83



Fig. 1017



Fig. 1018



Fig. 1019



Fig. 1020



Fig. 1070



Fig. 1080



Fig. 1083



Fig. 1085



Fig. DX1240



Fig. DX1250



Fig. 1310



Fig. 1317



Fig. 1320



Fig. 1330



Fig. 1340



Fig. 1409



Fig. 1410



Fig. 1419



Fig. 1420



Fig. 1450



Fig. 1460



Fig. 1470



Fig. 1480



Fig. 1520



Fig. 1530



Fig. 1560



Fig. 1580



Fig. 1605



Fig. 1610



Fig. 1650



Fig. 1690



Fig. 1710



Fig. 1720



Fig. 1730



Fig. 1740



Fig. 1748



Fig. 1750



Fig. 1760



Fig. 1770



Fig. 1771



Fig. 1775



Fig. 1785



Fig. 1787



Fig. 1800

Photos not available

Fig. 1830

Fig. 1850

Photos not available

Fig. 1900 Series

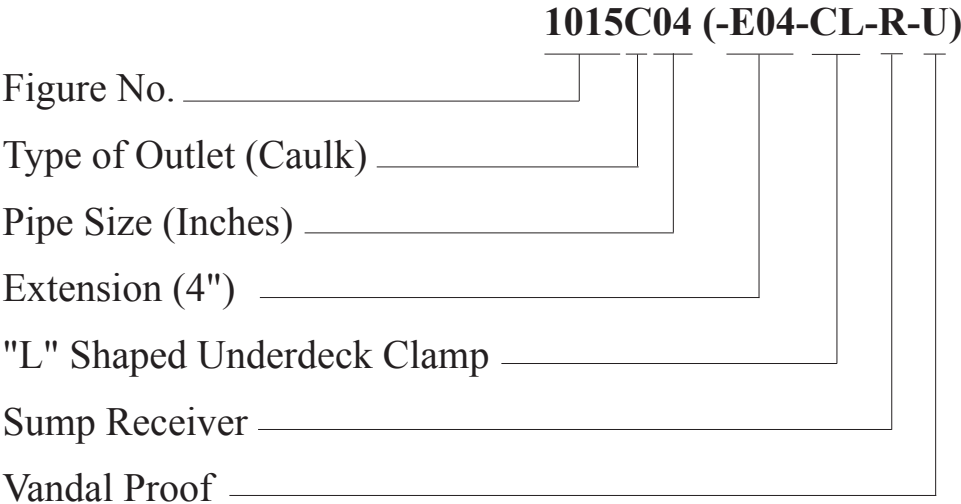
ORDERING GUIDELINES



1000 SERIES

After identifying the proper options required to meet the engineering specification, place order as shown below:

Examples:



*All variation suffixes are to be shown in parenthesis.

Drain Outlet Types:

- C Caulk Outlet
- T Threaded Outlet
- Y NO-HUB Outlet
- L Speedi-Set Service Weight
(02, 03 & 04" sizes)
- LXH Speedi-Set Extra Heavy
(02, 03 & 04" sizes only)

Example: Pipe Size (Inches)

- 02 - 2"
- 03 - 3"
- 04 - 4"
- etc.

Example: Extensions 3/4" and up

- Order as follows:
- 3/4" -E075
 - 1" -E01
 - 1 1/2" -E015
 - etc.

Example: Exterior Water Dam

- 2 1/2" - WD025
- 3" - WD03
- 4" - WD04

ROOF DRAIN TECHNICAL DATA



DEFINITION - ORIGIN - USAGE

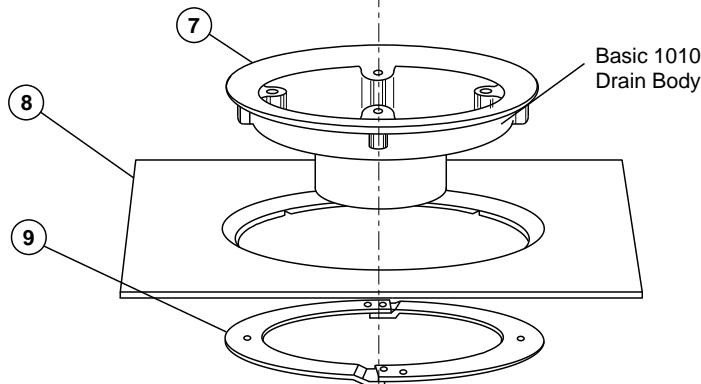
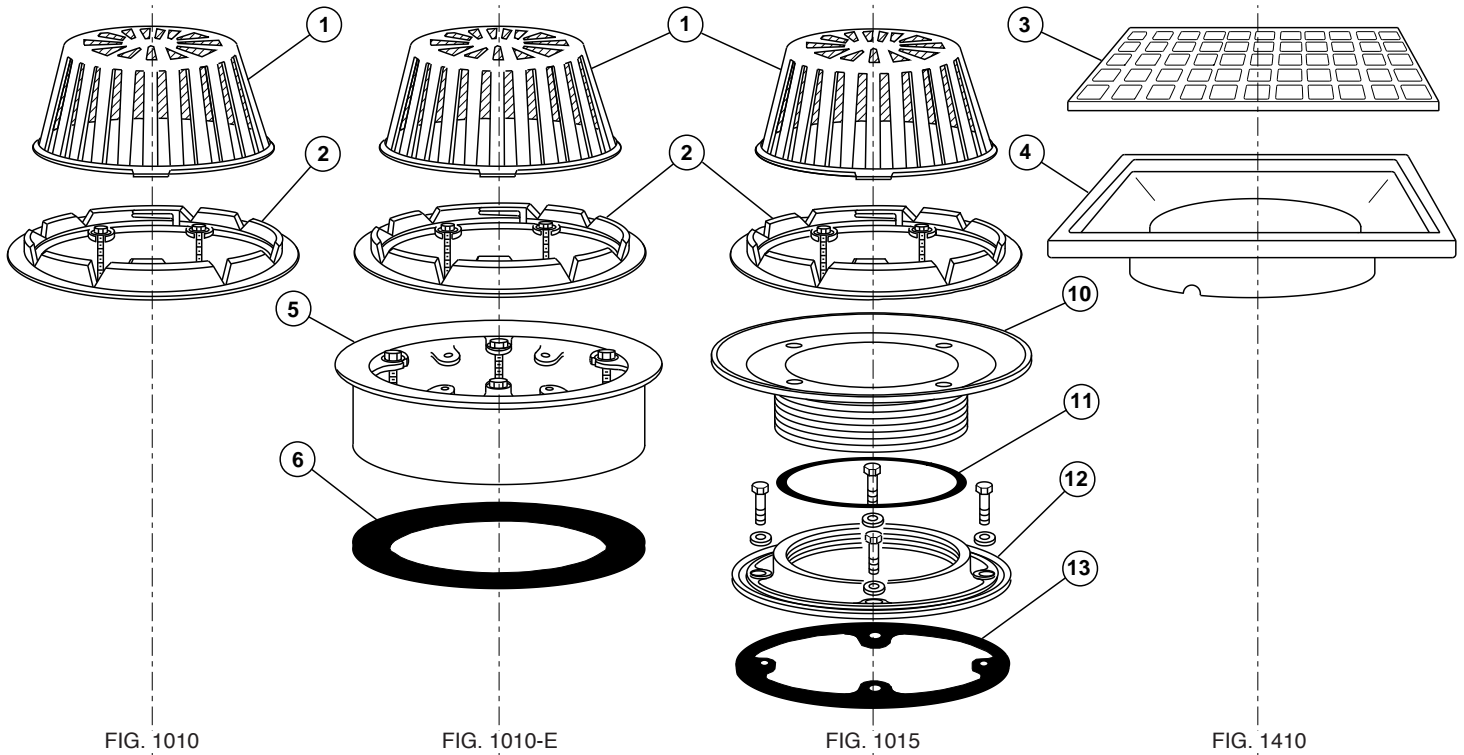
The modern roof drain is designed to drain off rain water in the most effective manner possible while maintaining an aesthetic appeal because in many instances it is placed in full view of the public.

Through the years, Smith has attempted to satisfy both the artistic eye of the architect and the calculating mind of the engineer, concluding the properly designed roof drain must have the following features:

- Pleasing dome shape with a low profile and adequate free drainage
- Corrosion-resisting dome material
- Effective debris protection
- Overflow drainage to allow drainage during debris build-up
- Gravel stop
- Positive Flashing Clamp
- Page control channels
- Sump designed to minimize air entrapment
- Flexibility to meet all construction requirements

Smith roof drains include all of these features.

TYPICAL SMITH ROOF DRAINS



ROOF DRAIN PARTS LIST

NO.	DESCRIPTION	NO.	DESCRIPTION
1	High Density Polyethylene Dome	7	Drain Body
2	Combined Cast Iron Flashing Clamp and Gravel Stop	8	Sump Receiver
3	Secured Square Hole Grate	9	Underdeck Clamp
4	Flashing Clamp for Square Grate	10	Adjustable Extension Sleeve
5	Fixed Extension	11	O-Ring Gasket
6	Fixed Extension Gasket	12	Reversible Collar
		13	Neoprene Gasket

ROOF DRAIN SIZING AND PLACEMENT

For sizing and placement, refer to the National Plumbing Code of Canada 2010 unless the local code authority takes precedence. Refer to:

Division B, Section 2.4 Drainage Systems

- ▲ Section 2.4.10.4, Hydraulic Loads from Roofs or Paved Areas.
- ▲ Section 2.4.10.9, Hydraulic Loads on Storm or Combined Build Drains or Sewers – Table 2.4.10.9, Maximum Permitted Hydraulic Load Drained to a Storm Building Drain or Sewer or a Combined Building Sewer.
- ▲ Section 2.4.10.10, Hydraulic Loads to Roof Gutters – Table 2.4.10.10, Maximum Permitted Hydraulic Load Drained to a Roof Gutter.
- ▲ Section 2.4.10.11, Hydraulic Loads on Leaders –Table 2.4.10.11, Maximum Permitted Hydraulic Load Drained to a Leader. Appendix A, Explanatory Material
- ▲ Section A-2.4.9.10, Determination of Hydraulic Loads and Drainage pipe Sizes – Figure A-2.4.10.-B and Figure A-2.4.10.-C – Table A-2.4.10, Storm Drainage Pipe Sizes.

SELECTING A ROOF DRAIN

To select the proper roof drain, the following information must be determined by the designer/specifier.

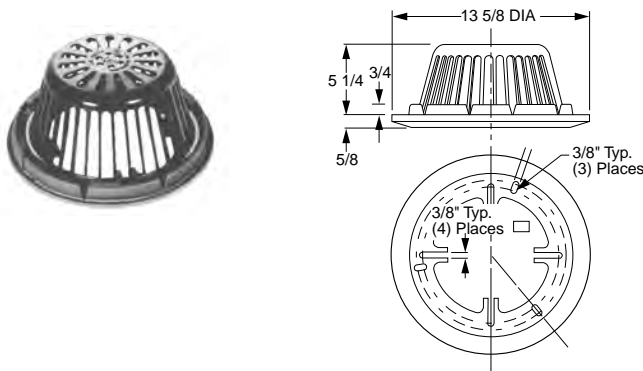
- ▲ Type of roof construction
- ▲ Roof pitch • Maximum volume of expected rainfall and storm design criteria (This information must be obtained from your local weather bureau and/or local code authority)
- ▲ Desired rate of drainage
- ▲ Safety overflow requirements (Emergency/secondary overflow roof drains are recommended. Local codes vary but it is recommended to provide a 1 to 1 ratio)
- ▲ Roof load (The maximum possible rainwater [build-up] load should be determined and provided to the structural engineer for inclusion in the roof structure design)
- ▲ Location of drains (Consult your local code for spacing requirements)
- ▲ Size
- ▲ Vandal-proofing
- ▲ NOTE: ALWAYS CONSULT YOUR LOCAL CODE FOR SIZING AND DESIGN CRITERIA WHEN DESIGNING THE ROOF DRAIN SYSTEM
- ▲ LOCAL CODE REQUIREMENTS TAKE PRECEDENCE OVER CATALOG INFORMATION.

ROOF DRAINS



FIG. 1001 UNIVERSAL REPLACEMENT DOME AND COLLAR ASSEMBLY

FUNCTION: Universal cast iron membrane clamping collar and dome are designed for retrofit roof applications where the existing main roof drain body is to remain in place and continue to be operative. The bolting lugs of this collar match the bolt pattern of the majority of the common roof drain bodies and generally conform to the surface angles of the flange. This allows easy replacement along with adequate pressure on the membrane to insure water tightness. The collar is designed to accompany most 15" and 16" diameter roof drain bodies with bolt circles ranging 7 1/4" to 10 3/4" in diameter. It is recommended to extend roof membrane into the sump of existing roof drain body.



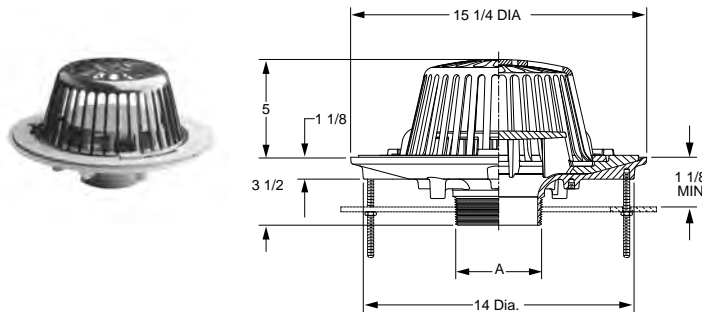
OPTIONS:	ADD	
-AD Aluminum Dome	POA	
-CID Cast Iron Dome	POA	
-CID8 8" High Cast Iron Dome	POA	
-CIDG Galvanized Cast Iron Dome (add to -CID)	POA	
-G Galvanized Collar	POA	
-LD Less Dome	(Specify Fig. 1002)	
	Perforated Stainless Steel Gravel Guard (Specify Height)	POA
-RBD Rough Bronze Dome	POA	
-SSM Stainless Steel Mesh Covered Dome (Specify Dome)	POA	
	Solid Water Dam Collar (Specify Height)	POA
-U Vandal Proof	POA	

REGULARLY FURNISHED: Polyethylene "Twist Lock" Dome and Duco Coated Universal Cast Iron Membrane Clamping Collar with Mounting Hardware.

COLLAR DIA.	FREE AREA SQ IN	†DUCO CI COLLAR POLY DOME	APPROX. WEIGHT LBS
13 5/8"	102.5	POA	14.72

FIG. 1005 SIPHONIC ROOF DRAIN 15 1/4" DIAMETER - LOW PROFILE DOME

FUNCTION: For use in engineered siphonic roof drainage system. May be used in flat roof of any construction. Large low profile dome provides sufficient free area for quick drainage of rain water and protects the drain sump, baffle and connected piping from the intrusion of debris. Internal air baffle creates siphonic drainage action producing more efficient drainage than traditional roof drains.



OUTLET VARIATIONS (Specify type of outlet and pipe size in inches.)

Outlet Type	Outlet Designation	Outlet Type/Pipe Size	Body HT. DIM.	ADD
Male Threaded Outlet	T02, *T0250, T03, T04	3 1/2"	3 1/2"	POA
No-Hub	Y02, Y03, Y04	3 1/2"	3 1/2"	POA

*2 1/2" pipe size only available with male threaded outlet

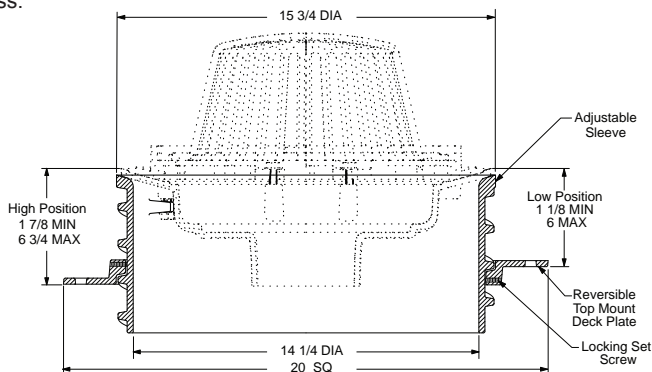
A	OUTLET SIZE	FLANGE DIA.	FREE AREA SQ IN	†DUCO CI POLY DOME	APPROX. WEIGHT LBS
02, *0250"	15 1/4"	15 1/4"	102.5	POA	39
03, 04"	15 1/4"	15 1/4"	102.5	POA	39

REGULARLY FURNISHED: Duco Cast Iron Body, Flashing Clamp, Air Baffle and Polyethylene Dome.

OPTIONS:	ADD
-AD Aluminum Dome	POA
-C Underdeck Clamp	POA
-C10 Underdeck Clamp for 10" Deck Opening	POA
-CID CI Dome	POA
-CIDG Galv. Cast Iron Dome (add to -CID)	POA
-CL "L" Shaped Underdeck Clamp	POA
-G Galvanized CI	POA
-R Sump Receiver	POA
-RBD Rough Bronze Dome	POA
-U Vandal Proof Screws	POA

FIG. 1010DEK TOP MOUNT DRAIN ELEVATOR

FUNCTION: Used to elevate the Figure Numbers 1005, 1010, 1070 and 1080 type roof drains on top side of roof deck to compensate for insulation thickness.



NOTE: 16 1/2 diameter deck opening recommended.

REGULARLY FURNISHED: Duco Coated Cast Iron Adjustable Sleeve and Top Mount Reversible Deck Plate.

Product Features:

- Elevates Figure Numbers 1005, 1010, 1070 & 1080 type roof drains.
- Adjustable to compensate for insulation thickness.
- Top adjustment at deck for an easier and more secure installation.
- Overall adjustment height of 6 3/4".
- Drain Elevator is outside of the waterway, eliminating leaks.
- The cast thread design provides for a quick adjustment - up or down; full adjustment achieved with one full turn.
- Top mount reversible collar eliminates the need for a conventional extension, underdeck clamp and sump receiver.

OPTIONS:	ADD
-G Galvanized CI	

For pricing, contact factory.

FOR INFORMATION ON POA ITEMS, PLEASE CONTACT YOUR LOCAL JAY R. SMITH REPRESENTATIVE

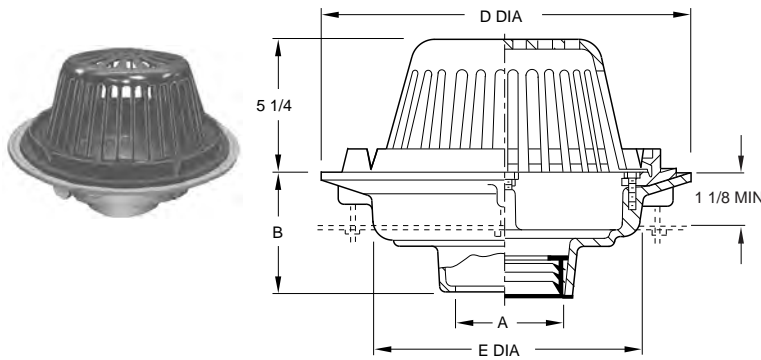


ROOF DRAINS

FIG. 1010 16" DIAMETER - LOW PROFILE DOME



FUNCTION: Used in flat roof of any construction. Large low profile dome provides sufficient free area for quick drainage of rain water and protects the drain sump and connected piping from the intrusion of debris. Wide clamping surface holds flashing and roofing materials without puncturing.



A OUTLET SIZE	D FLANGE DIA.	E DIA.	FREE AREA SQ IN	†DUCO CI POLY DOME	DUCO CI W/ ALUM DOME	APPROX. WEIGHT LBS
02, 03, 04"	15 1/4"	11"	102.5	318.00	384.00	28
06"	15 1/4"	11"	102.5	451.00	519.00	28
08"	16"	12 1/2"	102.5	451.00	519.00	30

A OUTLET SIZE	D FLANGE DIA.	E DIA.	FREE AREA SQ IN	**†DUCO CI CI DOME	DUCO CI W/ ALUM DOME	APPROX. WEIGHT LBS
08"	20"	16"	228	1,766.00	2,122.00	34
10"	16"	12 1/2"	122.5	1,766.00	2,122.00	36
10"	20"	16"	228	1,945.00	2,301.00	36
12"	20"	16"	228	2,085.00	2,441.00	40

**Add \$183.00 to Galvanize the Cast Iron Dome.

REGULARLY FURNISHED: Duco Cast Iron Body with Combined Flashing Clamp and Gravel Stop with Dome.

OUTLET VARIATIONS (Specify type of outlet and pipe size in inches.)

Outlet Type	Outlet Designation Outlet Type/Pipe Size	"B" Body HT. DIM.	ADD
Inside Caulk	C02, C03, C04, C06	5"	68.00
	C08	*6"	68.00
Speedi-Set SW	L02, L03, L04	5"	32.00
Speedi-Set XH	LXH02, LXH03, LXH04	5"	32.00
Threaded	T02, T03, T04, T05, T06	3 3/4"	68.00
	T08	*5"	68.00
No-Hub	Y02, Y03, Y04, Y05, Y06	5"	N/C
	Y08	*6"	N/C

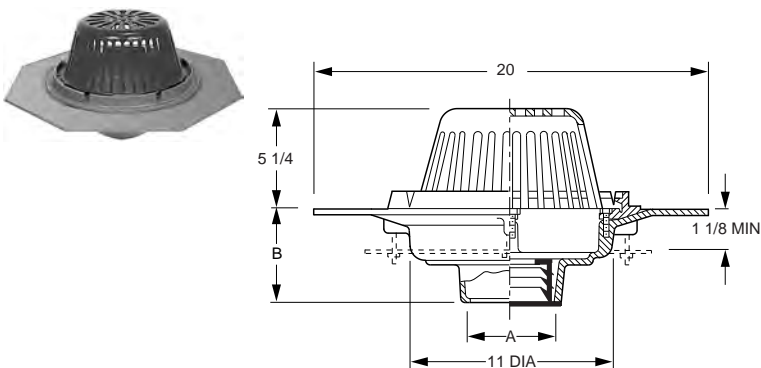
*This dimension is for 16" dia. flange size body. For 20" flange size body dimension is 7 3/4".

OPTIONS:

OPTION	DESCRIPTION	ADD
-AA	Aluminum Body (2-6" only)	POA
-C	Aluminum Underdeck Clamp (15 & 16" Flange Bodies)	121.00
-C	Cast Iron Underdeck Clamp (20" Flange Bodies)	292.00
-C2	Secondary Flashing Clamp	105.00
-CID	CI Dome (when not reg. furn.)	68.00
-CIDG	Cast Iron Dome with Galvanizing	211.00
-CID8	8" High CI Dome	279.00
-CL	Angular Underdeck Clamp	296.00
-DE	Deck Elevator Extension (Deck Elevator Kit)	748.00
-DID	Drain Installation Device 2-6"	218.00
-E	Extension up to 4"	207.00
	per inch over 4"	105.00
-G	Galvanized CI	212.00
-GRT	CI Grate in lieu of Dome (16" Flange Bodies)	410.00
-PDSSM	SS Mesh on Poly Dome	468.00
-R	Sump Receiver (15 & 16" Flange Bodies)	121.00
-R	Sump Receiver (20" Flange Bodies)	327.00
-RBD	Rough Brz Dome	689.00
-RDP	Roof Deck Plate (15 & 16" Flange)	159.00
-RDP	Roof Deck Plate (20" Flange)	469.00
-SSM	SS Mesh on Metal Dome (Specify dome)	468.00
-U	Vandal Proof Dome	85.00

FIG. DX1010 WIDE FLANGE BODY - SECURED DOME

FUNCTION: For use in promenade roof deck and rooftop recreational areas where traffic bearing roof deck covering is to be applied. Drain body sump is protected from leaves, paper and other debris by large secured dome.



A OUTLET SIZE	FLANGE DIA.	FREE AREA SQ IN	†DUCO CI POLY DOME	APPROX. WEIGHT LBS
02, 03, 04"	20"	102.5	1,035.00	50
06"	20"	102.5	1,146.00	50

REGULARLY FURNISHED: Duco Cast Iron Wide Flange Body with Combined Flashing Clamp and Gravel Stop with Polyethylene Dome.

OUTLET VARIATIONS (Specify type of outlet and pipe size in inches.)

Outlet Type	Outlet Designation Outlet Type/Pipe Size	"B" Body HT. DIM.	ADD
Inside Caulk	C02, C03, C04, C05, C06	5"	65.00
Speedi-Set SW	L02, L03, L04	5"	32.00
Speedi-Set XH	LXH02, LXH03, LXH04	5"	32.00
Threaded	T02, T03, T04, T05, T06	3 3/4"	65.00
No-Hub	Y02, Y03, Y04, Y05, Y06	5"	65.00

OPTIONS:

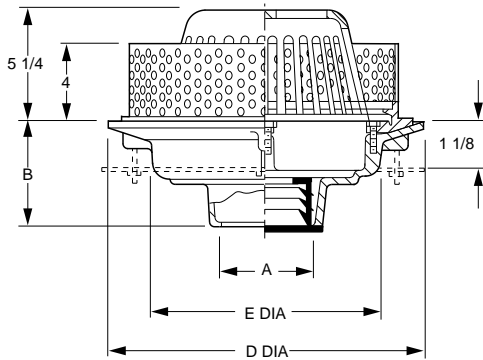
OPTION	DESCRIPTION	ADD
-AD	Aluminum Dome	68.00
-C	Aluminum Underdeck Clamp	121.00
-CID	CI Dome	89.00
-CIDG	Cast Iron Dome with Galvanizing	211.00
-CID8	8" High CI Dome	279.00
-CL	Angular Underdeck Clamp	296.00
-G	Galvanized CI	212.00
-PDSSM	SS Mesh on Poly Dome	468.00
-RBD	Rough Bronze Dome	715.00
-SH	Securing Holes	74.00
-SSM	SS Mesh on Metal Dome	468.00
-U	Vandal Proof Dome	85.00

ROOF DRAINS

FIG. 1011 IRMA ROOF APPLICATIONS



FUNCTION: Used in roof systems where the insulated membrane assembly method of waterproofing is provided. Fig. 1011 is used where built-up felt and asphalt waterproofing is installed. A 4" high perforated stainless steel gravel stop is supplied to retain the crushed gravel used in IRMA flat roof construction.



A OUTLET SIZE	D FLANGE DIA.	E DIA.	FREE AREA SQ IN	†DUCO CI POLY DOME	DUCO CI W/ ALUM DOME	APPROX. WEIGHT LBS
02, 03, 04"	15 1/4"	11"	102.5	661.00	727.00	28
06"	15 1/4"	11"	102.5	794.00	862.00	28

A OUTLET SIZE	D FLANGE DIA.	E DIA.	FREE AREA SQ IN	**†DUCO CI CI DOME	DUCO CI W/ ALUM DOME	APPROX. WEIGHT LBS
08"	20"	16"	228	2,109.00	2,436.00	36
10"	20"	16"	228	2,288.00	2,615.00	41

**Add \$183.00 to Galvanize the Cast Iron Dome.

REGULARLY FURNISHED: Duco Cast Iron Body with Flashing Clamp, 1/16" Thick, 4" High Stainless Steel Perforated Gravel Stop with 3/8" Dia. Openings and Dome.

OUTLET VARIATIONS (Specify type of outlet and pipe size in inches.)

Outlet Type	Outlet Designation Outlet Type/Pipe Size	"B" Body HT. DIM.	ADD
Inside Caulk	C02, C03, C04, C06	5"	68.00
	C08, C10	7 3/4"	68.00
Speedi-Set SW	L02, L03, L04	5"	32.00
Speedi-Set XH	LXH02, LXH03, LXH04	5"	32.00
Threaded	T02, T03, T04, T06	3 3/4"	68.00
	T08	7 3/4"	68.00
No-Hub	Y02, Y03, Y04, Y06	5"	N/C
	Y08	7 3/4"	N/C

OPTIONS:

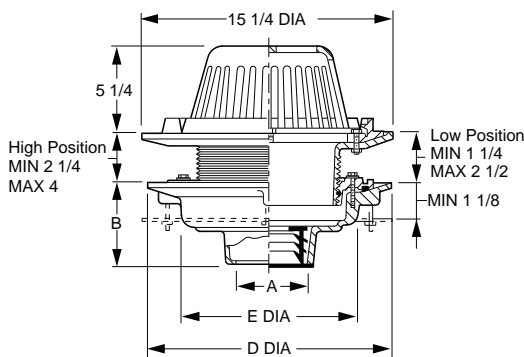
OPTION	DESCRIPTION	ADD
-AA	Aluminum Body	POA
-C	Aluminum Underdeck Clamp (15 & 16" Flange Bodies)	121.00
-C	Cast Iron Underdeck Clamp (20" Flange Bodies)	292.00
-CID	CI Dome (when not reg. furn.)	68.00
-CIDG	Cast Iron Dome with Galvanizing	211.00
-CID8	8" High CI Dome	279.00
-CL	Angular Underdeck Clamp	296.00
-DE	Deck Elevation Extension (Deck Elevator Kit)	748.00
-G	Galvanized CI	212.00
-GG	Perf SS Gravel Stop over 4", per inch	46.00
-PDSSM	SS Mesh on Poly Dome	468.00
-R	Sump Receiver	121.00
-R	Sump Receiver (20" Flange Bodies)	327.00
-RBD	Rough Bronze Dome	689.00
-RDP	Roof Deck Plate (15 & 16" Flange Bodies)	159.00
-RDP	Roof Deck Plate (20" Flange Bodies)	469.00
-SSM	SS Mesh on Metal Dome	468.00
-U	Vandal Proof Dome	85.00

ROOF DRAINS

FIG. 1015 ROOF DRAIN WITH ADJUSTABLE EXTENSION



FUNCTION: Used in flat roofs of any construction. The adjustable extension sleeve permits adjustment from a minimum of 1 1/4" to a maximum of 4", easily accommodating up to 2 3/4" of varying insulation thicknesses. The positive threading allows smooth perimeter movement and circumferential support of the top at any adjusted elevation. Large low profile dome provides sufficient free area for quick drainage of rainwater and protection against debris.



A OUTLET SIZE	D FLANGE DIA.	E DIA.	FREE AREA SQ IN	†DUCO CI Poly Dome	APPROX. WEIGHT LBS
02, 03, 04"	15 1/4"	11"	102.5	1,032.00	54
06"	15 1/4"	11"	102.5	1,165.00	54
08"	16"	12 1/2"	102.5	1,165.00	58

REGULARLY FURNISHED: Duco Cast Iron Body with Adjustable Extension Sleeve, Reversible Collar, Combined Flashing Clamp and Gravel Stop, with Polyethylene Dome.

OUTLET VARIATIONS (Specify type of outlet and pipe size in inches.)

Outlet Type	Outlet Designation Outlet Type/Pipe Size	"B" Body HT. DIM.	ADD
Inside Caulk	C02, C03, C04, C06	5"	68.00
	C08	6"	68.00
Speedi-Set SW	L02, L03, L04	5"	32.00
Speedi-Set XH	LXH02, LXH03, LXH04	5"	32.00
Threaded	T02, T03, T04, T06	3 3/4"	68.00
	T08	5"	68.00
No-Hub	Y02, Y03, Y04, Y06	5"	N/C
	Y08	6"	N/C

OPTIONS:

OPTION	DESCRIPTION	ADD
-AA	Aluminum Body	POA
-AD	Aluminum Dome	68.00
-C	Aluminum Underdeck Clamp	121.00
-C2	Secondary Flashing Clamp	105.00
-CID	CI Dome	68.00
-CIDG	Cast Iron Dome with Galvanizing	211.00
-CID8	8" High CI Dome	279.00
-CL	Angular Underdeck Clamp	296.00
-DE	Deck Elevator Extension (Deck Elevator Kit)	748.00
-G	Galvanized CI	212.00
-PDSSM	SS Mesh on Poly Dome	468.00
-R	Sump Receiver	121.00
-RBD	Rough Bronze Dome	689.00
-RDP	Roof Deck Plate	159.00
-SSM	SS Mesh on Metal Dome	468.00
-U	Vandal Proof Dome	85.00

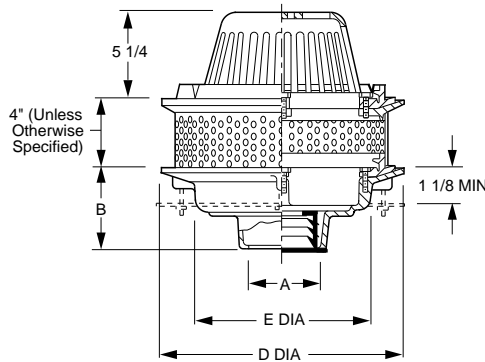


ROOF DRAINS

FIG. 1017 IRMA ROOF DRAIN APPLICATIONS



FUNCTION: Used in roof systems where the insulated membrane assembly method of waterproofing is provided. Used where built-up felt and asphalt waterproofing is installed. A stainless steel extension gravel stop at height specified is supplied to retain the crushed gravel used in IRMA flat roof construction.



A OUTLET SIZE	D FLANGE DIA.	E DIA.	FREE AREA SQ IN	†DUCO CI POLY DOME	APPROX. WEIGHT LBS
02, 03, 04"	15 1/4"	11"	102.5	754.00	30
06"	15 1/4"	11"	102.5	887.00	30
08"	16"	12 1/2"	102.5	887.00	34

REGULARLY FURNISHED: Duco Cast Iron Body with Flashing Clamp, Perforated Stainless Steel Extension, Gravel Stop and Polyethylene Dome.

OUTLET VARIATIONS (Specify type of outlet and pipe size in inches.)

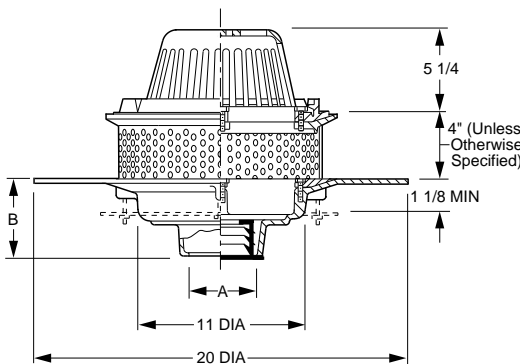
Outlet Type	Outlet Designation Outlet Type/Pipe Size	"B" Body HT. DIM.	ADD
Inside Caulk	C02, C03, C04, C06	5"	68.00
	C08	6"	68.00
Speedi-Set SW	L02, L03, L04	5"	32.00
Speedi-Set XH	LXH02, LXH03, LXH04	5"	32.00
Threaded	T02, T03, T04, T06	3 3/4"	68.00
	T08	5"	68.00
No-Hub	Y02, Y03, Y04, Y06	5"	N/C
	Y08	6"	N/C

OPTIONS:

OPTION	DESCRIPTION	ADD
-AD	Aluminum Dome	68.00
-C	Aluminum Underdeck Clamp	121.00
-CID	CI Dome	89.00
-CIDG	Cast Iron Dome with Galvanizing	211.00
-CID8	8" High CI Dome	279.00
-CL	Angular Underdeck Clamp	296.00
-DE	Deck Elevator Extension (Deck Elevator Kit)	627.00
-G	Galvanized CI	212.00
-GG	Perf SS Extension over 4", per inch	53.00
-R	Sump Receiver	121.00
-RBD	Rough Bronze Dome	689.00
-SSM	SS Mesh on Metal Dome	468.00
-U	Vandal Proof Dome	85.00

FIG. 1018 IRMA ROOF APPLICATIONS

FUNCTION: Used in roof systems where the insulated membrane assembly method of waterproofing is provided. Used where a liquid membrane waterproofing is installed. A stainless steel extension gravel stop at height specified is supplied to retain the crushed gravel used in IRMA flat roof construction.



A OUTLET SIZE	FLANGE DIA.	FREE AREA SQ IN	†DUCO CI POLY DOME	APPROX. WEIGHT LBS
02, 03, 04"	20"	102.5	1,471.00	36
06"	20"	102.5	1,582.00	36

REGULARLY FURNISHED: Duco Cast Iron Wide Flange Body with Flashing Clamp, Perforated Stainless Steel Extension, Gravel Stop and Polyethylene Dome.

OUTLET VARIATIONS (Specify type of outlet and pipe size in inches.)

Outlet Type	Outlet Designation Outlet Type/Pipe Size	"B" Body HT. DIM.	ADD
Inside Caulk	C02, C03, C04, C06	5"	65.00
	C08	6"	65.00
Speedi-Set SW	L02, L03, L04	5"	32.00
Speedi-Set XH	LXH02, LXH03, LXH04	5"	32.00
Threaded	T02, T03, T04, T06	3 3/4"	65.00
	T08	5"	65.00
No-Hub	Y02, Y03, Y04, Y06	5"	N/C

OPTIONS:

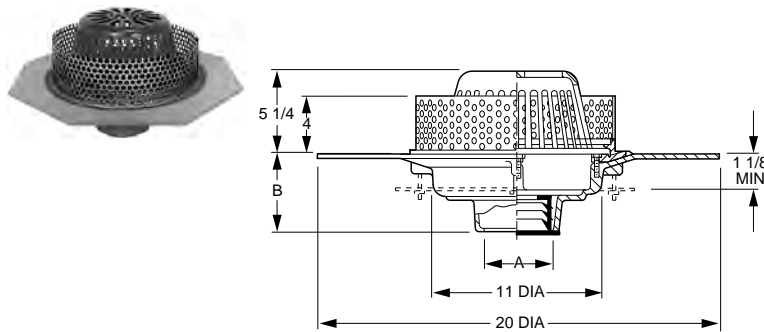
OPTION	DESCRIPTION	ADD
-AD	Aluminum Dome	89.00
-C	Aluminum Underdeck Clamp	121.00
-CID	CI Dome	89.00
-CIDG	Cast Iron Dome with Galvanizing	211.00
-CID8	8" High CI Dome	279.00
-CL	Angular Underdeck Clamp	296.00
-G	Galvanized CI	212.00
-GG	Perf SS Extension over 4", per inch	53.00
-RBD	Rough Bronze Dome	689.00
-SSM	SS Mesh on Metal Dome	468.00
-U	Vandal Proof Dome	85.00

ROOF DRAINS

FIG. 1019 IRMA ROOF APPLICATIONS



FUNCTION: Used in roof systems where the insulated membrane assembly method of waterproofing is provided. Fig. 1019 is utilized with a liquid membrane waterproofing. A 4" high perforated stainless steel gravel stop is supplied to retain the crushed gravel used in IRMA flat roof construction.



A OUTLET SIZE	FLANGE DIA.	FREE AREA SQ IN	†DUCO CI POLY DOME	APPROX. WEIGHT LBS
02, 03, 04"	20"	102.5	1,378.00	50
06"	20"	102.5	1,489.00	50

REGULARLY FURNISHED: Duco Cast Iron Wide Flange Body with Flashing Clamp, 1/16" Thick, 4" High Stainless Steel Perforated Gravel Stop with 3/8" Dia. Openings and Polyethylene Dome.

OUTLET VARIATIONS (Specify type of outlet and pipe size in inches.)

Outlet Type	Outlet Designation Outlet Type/Pipe Size	"B" Body HT. DIM.	ADD
Inside Caulk	C02, C03, C04, C06	5"	65.00
Speedi-Set SW	L02, L03, L04	5"	32.00
Speedi-Set XH	LXH02, LXH03, LXH04	5"	32.00
Threaded	T02, T03, T04, T06	3 3/4"	65.00
No-Hub	Y02, Y03, Y04, Y06	5"	65.00

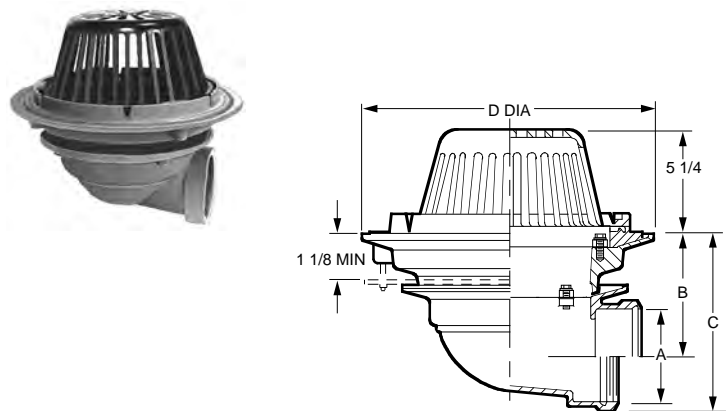
OPTIONS:

OPTION	DESCRIPTION	ADD
-AD	Aluminum Dome	89.00
-C	Aluminum Underdeck Clamp	121.00
-CID	CI Dome	89.00
-CIDG	Cast Iron Dome with Galvanizing	211.00
-CID8	8" High CI Dome	279.00
-CL	Angular Underdeck Clamp	296.00
-G	Galvanized CI	212.00
-GG	Perforated SS Gravel Stop over 4", per inch	53.00
-RBD	Rough Bronze Dome	715.00
-U	Vandal Proof Dome	85.00

ROOF DRAINS

FIG. 1020 16" DIAMETER - LOW PROFILE DOME

FUNCTION: Used in flat roof of any construction. Large low profile dome provides sufficient free area for quick drainage of rain water and protects the drain sump and connected piping from the intrusion of debris. Wide clamping surface holds flashing and roofing materials without puncturing.



A OUTLET SIZE	B	D FLANGE DIA.	FREE AREA SQ IN	†DUCO CI POLY DOME	APPROX. WEIGHT LBS
02"	6 3/8"	15 1/4"	102.5	483.00	45
03"	6 3/8"	15 1/4"	102.5	483.00	45
04"	5 7/8"	15 1/4"	102.5	483.00	45
05"	5"	16"	102.5	616.00	55
06"	4 1/2"	16"	102.5	616.00	55

REGULARLY FURNISHED: Duco Cast Iron Body with Combined Flashing Clamp and Gravel Stop with Polyethylene Dome.

OUTLET VARIATIONS (Specify type of outlet and pipe size in inches.)

Outlet Type	Outlet Designation Outlet Type/Pipe Size	"C" Body HT. DIM.	ADD
Inside Caulk	C02	.8 5/8"	68.00
	C03, C04	.8 3/4"	68.00
	C05, C06	.8 1/2"	68.00
Threaded Outlet	T02	.8 5/8"	68.00
	T03, T04	.8 3/4"	68.00
	T05, T06	.8 1/2"	68.00
No-Hub	Y02	.8 5/8"	N/C
	Y03, Y04	.8 3/4"	N/C
	Y05, Y06	.8 1/2"	See Fig. 2646Y

OPTIONS:

OPTION	DESCRIPTION	ADD
-AD	Aluminum Dome	68.00
-C	Aluminum Underdeck Clamp	121.00
-C2	Secondary Flashing Clamp	105.00
-CID	CI Dome	68.00
-CIDG	Cast Iron Dome with Galvanizing	162.00
-CID8	CI Dome, 8" High	279.00
-CL	Angular Underdeck Clamp	296.00
-E	Extension up to 4" per inch over 4"	207.00 105.00
-G	Galvanized CI	212.00
-R	Sump Receiver	121.00
-RBD	Rough Bronze Dome	689.00
-SSM	SS Mesh on Metal Dome	468.00
-U	Vandal Proof Dome	85.00

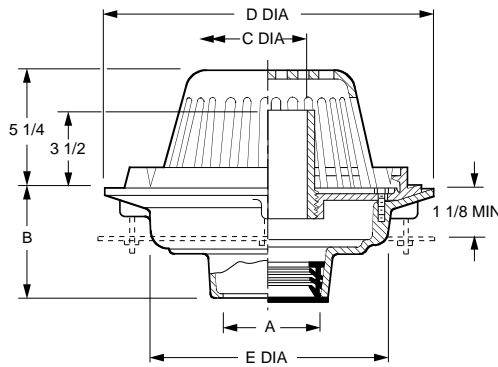


ROOF DRAINS

FIG. 1070 - OVERFLOW DRAINS



FUNCTION: Used in flat roofs of any construction where a constant height of water is desired on the roof. It is also used on conventional roofs as a safety overflow, which receives water only when the build-up is greater than the setting of the standpipe. Standpipe type water dam can be cut to achieve various water depths on the roof.



A OUTLET SIZE	C DIA.	D FLANGE DIA.	E DIA.	FREE AREA SQ IN	†DUCO CI POLY DOME	APPROX. WEIGHT LBS
02, 03, 04"	4"	15 1/4"	11"	102.5	620.00	65
06"	6"	15 1/4"	11"	102.5	753.00	72
08"	8"	16"	12 1/2"	102.5	753.00	86

REGULARLY FURNISHED: Duco Cast Iron Body, Flashing Clamp and Gravel Stop with Polyethylene Dome and P.V.C. Standpipe.

OUTLET VARIATIONS (Specify type of outlet and pipe size in inches.)

Outlet Type	Outlet Designation Outlet Type/Pipe Size	"B" Body HT. DIM.	ADD
Inside Caulk	C02, C03, C04, C05, C06	5"	68.00
	C08	6"	68.00
Speedi-Set SW	L02, L03, L04	5"	32.00
Speedi-Set XH	LXH02, LXH03, LXH04	5"	32.00
Threaded	T02, T03, T04, T05, T06	3 3/4"	68.00
	T08	5"	68.00
No-Hub	Y02, Y03, Y04, Y05, Y06	5"	N/C
	Y08	6"	N/C

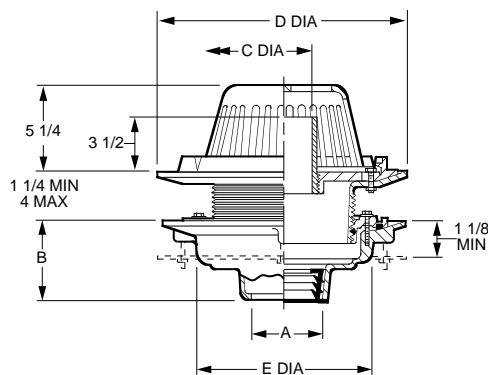
OPTIONS:

OPTION	DESCRIPTION	ADD
-AD	Aluminum Dome	68.00
-BZS	Bronze Standpipe	193.00
-C	Aluminum Underdeck Clamp	121.00
-C2	Secondary Flashing Clamp	105.00
-CID	CI Dome	68.00
-CIDG	Cast Iron Dome with Galvanizing	211.00
-CID8	8" High CI Dome	279.00
-CIS	Cast Iron Standpipe	146.00
-CL	Angular Underdeck Clamp	296.00
-DX	Wide Flange	717.00
-DE	Deck Elevator Extension (Deck Elevator Kit)	748.00
-E	Extension up to 4" per inch over 4"	207.00
-G	Galvanized Cast Iron	212.00
-R	Sump Receiver	121.00
-RBD	Rough Bronze Dome	689.00
-RDP	Roof Deck Plate	159.00
-SSM	SS Mesh on Metal Dome	468.00
-U	Vandal Proof Dome	85.00

FIG. 1074 - ADJUSTABLE TOP WITH STANDPIPE

FUNCTION: Used in flat roofs of any construction where a constant height of water is desired on the roof. It is also used on conventional roofs as a safety overflow, which receives water only when the build-up is greater than the setting of the cut standpipe. Standpipe type water dam can be cut to achieve various water depths on the roof. Wide clamping surface holds flashing and roofing materials without puncturing. Large low profile dome provides sufficient free area for quick drainage of rain water and protects the drain sump and connected piping from the intrusion of debris.

1074
Same as
1070 with
Adjustable
Extension



A OUTLET SIZE	C DIA.	D FLANGE DIA.	E DIA.	FREE AREA SQ IN	†DUCO CI POLY DOME	APPROX. WEIGHT LBS
02, 03, 04"	4"	15 1/4"	11"	102.5	991.00	65
06"	6"	15 1/4"	11"	102.5	1,124.00	72
08"	8"	16"	12 1/2"	102.5	1,124.00	86

REGULARLY FURNISHED: Duco Cast Iron Body with Adjustable Extension Sleeve, Reversible Collar, P.V.C. Standpipe, Polyethylene Dome and Combined Flashing Clamp and Gravel Stop.

OUTLET VARIATIONS (Specify type of outlet and pipe size in inches.)

Outlet Type	Outlet Designation Outlet Type/Pipe Size	"B" Body HT. DIM.	ADD
Inside Caulk	C02, C03, C04, C05, C06	5"	68.00
	C08	6"	68.00
Speedi-Set SW	L02, L03, L04	5"	32.00
Speedi-Set XH	LXH02, LXH03, LXH04	5"	32.00
Threaded	T02, T03, T04, T05, T06	3 3/4"	68.00
	T08	5"	68.00
No-Hub	Y02, Y03, Y04, Y05, Y06	5"	N/C
	Y08	6"	N/C

OPTIONS:

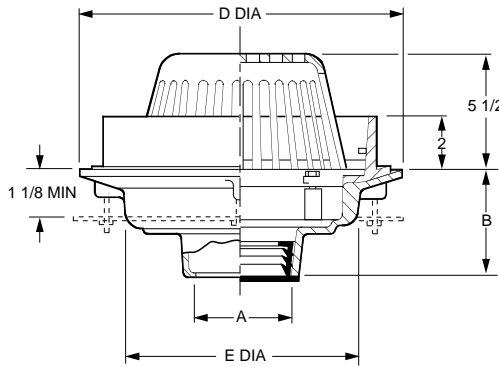
OPTION	DESCRIPTION	ADD
-AD	Aluminum Dome	68.00
-BZS	Bronze Standpipe	193.00
-C	Underdeck Clamp	121.00
-C2	Secondary Flashing Clamp	105.00
-CID	CI Dome	68.00
-CIDG	Cast Iron Dome with Galvanizing	211.00
-CID8	8" High CI Dome	279.00
-CL	Angular Underdeck Clamp	296.00
-CIS	Cast Iron Standpipe	146.00
-DE	Deck Elevator Extension (Deck Elevator Kit)	748.00
-DX	Wide Flange	717.00
-G	Galvanized Cast Iron	212.00
-R	Sump Receiver	121.00
-RBD	Rough Bronze Dome	689.00
-RDP	Roof Deck Plate	159.00
-SSM	SS Mesh on Metal Dome	468.00
-U	Vandal Proof Dome	85.00



ROOF DRAINS

FIG. 1080 SPECIAL PURPOSE ROOF DRAINS WATER DAM TYPE

FUNCTION: Used in flat roofs of any construction where a constant height of water is desired on the roof. It may also be used as an emergency overflow for conventional roofs, draining rain water when the depth of the water on the roof reaches the water dam height.



A OUTLET SIZE	D FLANGE DIA.	E DIA.	FREE AREA SQ IN	†DUCO CI POLY DOME	DUCO CI W/ ALUM DOME	APPROX. WEIGHT LBS
02, 03, 04"	15 1/4"	11"	102.5	417.00	483.00	62
06"	15 1/4"	11"	102.5	550.00	618.00	79
08"	16"	12 1/2"	102.5	550.00	618.00	112

A OUTLET SIZE	D FLANGE DIA.	E DIA.	FREE AREA SQ IN	**†DUCO CI CI DOME	DUCO CI W/ ALUM DOME	APPROX. WEIGHT LBS
08"	20"	16"	228	2,768.00	1,910.00	118
10"	20"	16"	228	2,947.00	2,028.00	118

**Add \$183.00 to Galvanize the Cast Iron Dome.

REGULARLY FURNISHED: Duco Cast Iron Body, Flashing Clamp and Gravel Stop with Dome and Cast Iron Water Dam.

OUTLET VARIATIONS (Specify type of outlet and pipe size in inches.)

Outlet Type	Outlet Designation Outlet Type/Pipe Size	"B" Body HT. DIM.	ADD
Inside Caulk	C02, C03, C04, C06	5"	68.00
	C08	*6"	68.00
Speedi-Set SW	L02, L03, L04	5"	32.00
Speedi-Set XH	LXH02, LXH03, LXH04	5"	32.00
Threaded	T02, T03, T04, T05, T06	3 3/4"	68.00
	T08	*5"	68.00
No-Hub	Y02, Y03, Y04, Y06	5"	N/C
	Y08	*6"	N/C

*This dimension is for 16" dia. flange size body. For 20" flange size body dimension is 7 3/4"

OPTIONS:

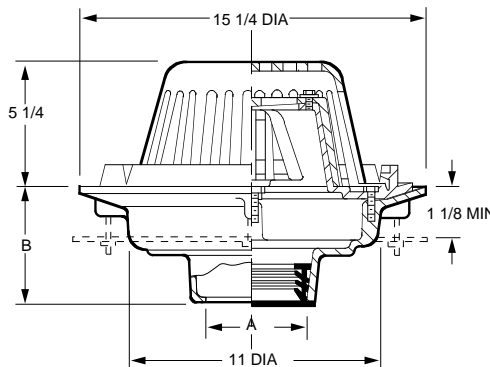
OPTION	DESCRIPTION	ADD
-AE	Adjustable Extension	371.00
-C	Aluminum Underdeck Clamp (15 & 16" Flange Bodies)	121.00
-C	Aluminum Underdeck Clamp (20" Flange Bodies)	292.00
-C2	Secondary Flashing Clamp	105.00
-CID	CI Dome (when not reg. furn.)	68.00
-CIDG	Cast Iron Dome with Galvanizing	211.00
-CL	Angular Underdeck Clamp	296.00
-DE	Deck Elevator Extension (Deck Elevator Kit)	748.00
-DX	Wide Flange	717.00
-E	Extension up to 4" per inch over 4"	207.00
-G	Galvanized Cast Iron	212.00
-PDSSM	SS Mesh on Poly Dome	468.00
-R	Sump Receiver (15 & 16" Flange Bodies)	121.00
-R	Sump Receiver (20" Flange Bodies)	327.00
-RBD	Rough Bronze Dome	689.00
-RDP	Roof Deck Plate (15 & 16" Flange Bodies)	264.00
-RDP	Roof Deck Plate (20" Flange Bodies)	159.00
-SSM	SS Mesh on Metal Dome	468.00
-U	Vandal Proof Dome	85.00
-WD	Water Dam, 2 1/2, 3, 4"	227.00

ROOF DRAINS

FIG. 1083 RAINTROL® ROOF DRAINS



FUNCTION: Used to control the flow of rain water off a roof. Trapezoidal weirs limit the flow to the leader. Adjustable to provide various flow rates as required.



A OUTLET SIZE	FLANGE DIA.	FREE AREA SQ IN	†DUCO CI POLY DOME	APPROX. WEIGHT LBS
02, 03, 04"	15 1/4"	102.5	472.00	64
05, 06"	15 1/4"	102.5	605.00	68

REGULARLY FURNISHED: Duco Cast Iron Body with Combined Flashing Clamp and Gravel Stop with Adjustable "Flow Rate Control" Assembly and Polyethylene Dome.

OUTLET VARIATIONS (Specify type of outlet and pipe size in inches.)

Outlet Type	Outlet Designation Outlet Type/Pipe Size	"B" Body HT. DIM.	ADD
Inside Caulk	C02, C03, C04, C06	5"	68.00
Speedi-Set SW	L02, L03, L04	5"	32.00
Speedi-Set XH	LXH02, LXH03, LXH04	5"	32.00
Threaded	T02, T03, T04, T06	3 3/4"	68.00
No-Hub	Y02, Y03, Y04, Y06	5"	N/C

OPTIONS:

OPTION	DESCRIPTION	ADD
-AD	Aluminum Dome	133.00
-C	Aluminum Underdeck Clamp	121.00
-C2	Secondary Flashing Clamp	105.00
-CID	CI Dome	128.00
-CIDG	Cast Iron Dome with Galvanizing	346.00
-CID8	8" High CI Dome	279.00
-CL	Angular Underdeck Clamp	296.00
-DE	Deck Elevator Extension (Deck Elevator Kit)	748.00
-E	Extension up to 4" per inch over 4"	207.00
-G	Galvanized Cast Iron	212.00
-PDSSM	SS Mesh on Poly Dome	305.00
-R	Sump Receiver	121.00
-RBD	Rough Bronze Dome	504.00
-RDP	Roof Deck Plate	159.00
-U	Vandal Proof Dome	85.00
-WR	Multiple Weir Openings**	N/C

**Specify Number of Weir Openings

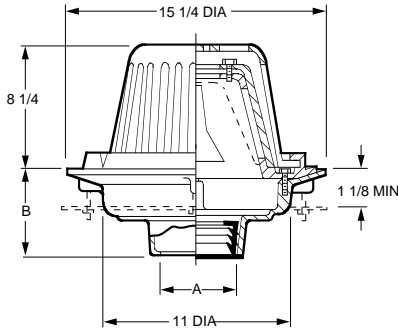


ROOF DRAINS

FIG. 1011-83 RAINROL® ROOF DRAINS



FUNCTION: Used to control the flow of rain water off a roof. Trapezoidal weirs limit the flow to the leader. Adjustable to provide various flow rates as required.



A OUTLET SIZE	FLANGE DIA	FREE AREA SQ IN	†DUCO CI CI DOME	APPROX. WEIGHT LBS
02, 03, 04"	15 1/4"	122	609.00	66
05, 06"	15 1/4"	122	781.00	72

REGULARLY FURNISHED: Duco Cast Iron Body with Combined Flashing Clamp and Gravel Stop with Adjustable "Flow Rate Control" Assembly and Cast Iron Dome.

OUTLET VARIATIONS (Specify type of outlet and pipe size in inches.)

Outlet Type	Outlet Designation Outlet Type/Pipe Size	"B" Body HT. DIM.	ADD
Inside Caulk	C02, C03, C04, C05, C06	5"	68.00
Speedi-Set SW	L02, L03, L04	5"	32.00
Speedi-Set XH	LXH02, LXH03, LXH04	5"	32.00
Threaded	T02, T03, T04, T05, T06	3 3/4"	68.00
No-Hub	Y02, Y03, Y04, Y05, Y06	5"	N/C

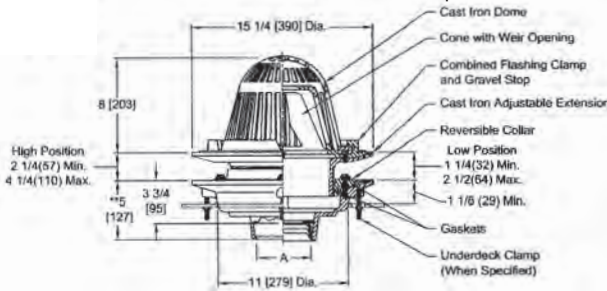
OPTIONS:	ADD
-C Aluminum Underdeck Clamp	121.00
-C2 Secondary Flashing Clamp	105.00
-CIDG Galvanized Cast Iron Dome	346.00
-CL Angular Underdeck Clamp	296.00
-DE Deck Elevator Extension (Deck Elevator Kit)	748.00
-E Extension up to 4"	207.00
per inch over 4"	105.00
-G Galvanized Cast Iron	212.00
-R Sump Receiver	121.00
-RDP Roof Deck Plate	159.00
-U Vandal Proof Dome	85.00
-WR Multiple Weir Openings**	N/C

**Specify Number of Weir Openings

FIG. 1015-83 RAINROL® ROOF DRAINS



FUNCTION: Used to control the flow of rain water off a roof. Trapezoidal weirs limit the flow to the leader. Adjustable to provide various flow rates as required.



A OUTLET SIZE	D FLANGE DIA.	FREE AREA SQ IN	†DUCO CI Poly Dome	APPROX. WEIGHT LBS
02, 03, 04"	15 1/4"	102.5	826.00	81
05, 06"	15 1/4"	102.5	1,059.00	81
08"	15 1/4"	102.5	1,182.00	81

REGULARLY FURNISHED: Duco Cast Iron Body with Combined Flashing Clamp and Gravel Stop, with Adjustable "Flow Rate Control" Assembly and Cast Iron Dome.

OUTLET VARIATIONS (Specify type of outlet and pipe size in inches.)

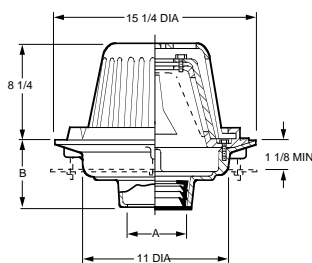
Outlet Type	Outlet Designation Outlet Type/Pipe Size	"C" Body HT. DIM.	ADD
Inside Caulk	C02	8 5/8"	68.00
	C03, C04	8 3/4"	68.00
Threaded Outlet	T02	8 5/8"	68.00
	T03, T04	8 3/4"	68.00
No-Hub	Y02	8 5/8"	N/C
	Y03, Y04	8 3/4"	N/C

OPTIONS:	ADD
-C Aluminum Underdeck Clamp	121.00
-C2 Secondary Flashing Clamp	105.00
-CL Angular Underdeck Clamp	296.00
-G Galvanized Cast Iron	212.00
-R Sump Receiver	121.00
-RBD Rough Bronze Dome	504.00
-U Vandal Proof Dome	85.00
-WR Multiple Weir Openings**	N/C

**Specify Number of Weir Openings

FIG. 1085 RAINROL® ROOF DRAINS

FUNCTION: Used to control the flow of rain water off a roof. Trapezoidal weirs limit the flow to the leader. Adjustable to provide various flow rates as required.



A OUTLET SIZE	FLANGE DIA	FREE AREA SQ IN	†DUCO CI CI DOME	APPROX. WEIGHT LBS
02, 03, 04"	15 1/4"	122	1,271.00	66
05, 06"	15 1/4"	122	1,455.00	72

REGULARLY FURNISHED: Duco Cast Iron Body with Combined Flashing Clamp and Gravel Stop with Adjustable "Flow Rate Control" Assembly and Cast Iron Dome.

OUTLET VARIATIONS (Specify type of outlet and pipe size in inches.)

Outlet Type	Outlet Designation Outlet Type/Pipe Size	"B" Body HT. DIM.	ADD
Inside Caulk	C02, C03, C04, C05, C06	5"	68.00
Speedi-Set SW	L02, L03, L04	5"	32.00
Speedi-Set XH	LXH02, LXH03, LXH04	5"	32.00
Threaded	T02, T03, T04, T05, T06	3 3/4"	68.00
No-Hub	Y02, Y03, Y04, Y05, Y06	5"	N/C

OPTIONS:	ADD
-C Aluminum Underdeck Clamp	146.00
-C2 Secondary Flashing Clamp	112.00
-CIDG Galvanized Cast Iron Dome	218.00
-CL Angular Underdeck Clamp	296.00
-DE Deck Elevator Extension (Deck Elevator Kit)	748.00
-E Extension up to 4"	402.00
per inch over 4"	95.00
-G Galvanized Cast Iron	582.00
-R Sump Receiver	164.00
-RDP Roof Deck Plate	264.00
-U Vandal Proof Dome	85.00
-WR Multiple Weir Openings**	N/C

**Specify Number of Weir Openings

†REGULARLY FURNISHED



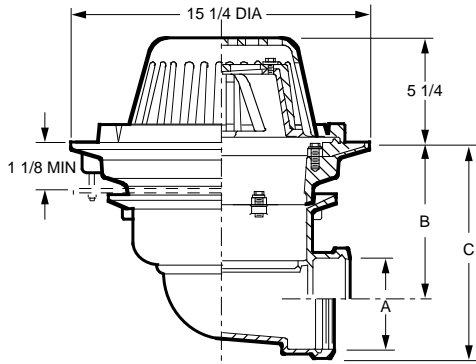
ROOF DRAINS

FIG. 1088 RAINROL® ROOF DRAINS



FUNCTION: Used to control the flow of rain water off a roof. Trapezoidal weirs limit the flow to the leader. Adjustable to provide various flow rates as required.

1088
Same as
1083 with
Side
Outlet



A OUTLET SIZE	FLANGE DIA.	B	FREE AREA SQ IN	†DUCO CI POLY DOME	APPROX. WEIGHT LBS
02"	15 1/4"	6 7/8"	102.5	1,370.00	81
03"	15 1/4"	6 3/8"	102.5	1,370.00	81
04"	15 1/4"	5 7/8"	102.5	1,370.00	81

REGULARLY FURNISHED: Duco Cast Iron Body with Combined Flashing Clamp and Gravel Stop with Adjustable "Flow Rate Control" Assembly and Polyethylen Dome.

OUTLET VARIATIONS (Specify type of outlet and pipe size in inches.)

Outlet Type	Outlet Designation Outlet Type/Pipe Size	"C" Body HT. DIM.	ADD
Inside Caulk	C02	8 5/8"	68.00
	C03, C04	8 3/4"	68.00
Threaded Outlet	T02	8 5/8"	68.00
	T03, T04	8 3/4"	68.00
No-Hub	Y02	8 5/8"	N/C
	Y03, Y04	8 3/4"	N/C

OPTIONS:

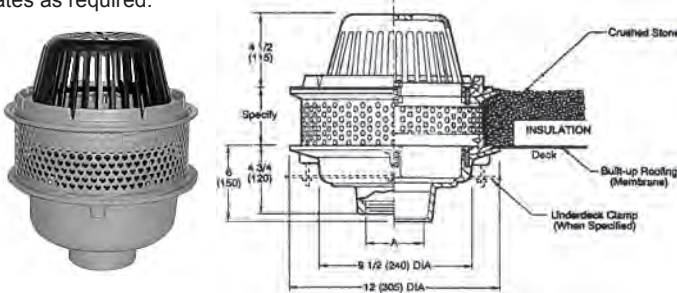
OPTION	DESCRIPTION	ADD
-AD	Aluminum Dome	149.00
-C	Aluminum Underdeck Clamp	146.00
-C2	Secondary Flashing Clamp	112.00
-CID	Cast Iron Dome	128.00
-CIDG	Cast Iron Dome with Galvanizing	346.00
-CID8	8" High Cast Iron Dome	279.00
-CL	Angular Underdeck Clamp	296.00
-E	4" High Extension	402.00
	per inch over 4"	95.00
-G	Galvanized Cast Iron Body	582.00
-RBD	Rough Bronze Dome	504.00
-R	Sump Receiver	164.00
-U	Vandal Proof Dome	75.00
-WR	Multiple Weir Openings**	N/C

**Specify Number of Weir Openings

FIG. 1317 RAINROL® ROOF DRAINS



FUNCTION: Used to control the flow of rain water off a roof. Trapezoidal weirs limit the flow to the leader. Adjustable to provide various flow rates as required.



A OUTLET SIZE	FLANGE DIA.	B	FREE AREA SQ IN	†DUCO CI CI DOME	APPROX. WEIGHT LBS
02"	15 1/4"	6 7/8"	122	679.00	90
03"	15 1/4"	6 7/8"	122	679.00	90
04"	15 1/4"	5 7/8"	122	679.00	90

REGULARLY FURNISHED: Duco Cast Iron Body with Combined Flashing Clamp and Gravel Stop with Adjustable "Flow Rate Control" Assembly and Cast Iron Dome.

OUTLET VARIATIONS (Specify type of outlet and pipe size in inches.)

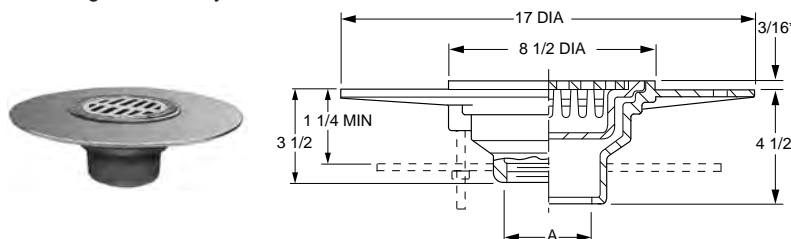
Outlet Type	Outlet Designation Outlet Type/Pipe Size	"C" Body HT. DIM.	ADD
Inside Caulk	C02	8 5/8"	68.00
	C03, C04	8 3/4"	68.00
Threaded	T02	8 5/8"	68.00
	T03, T04	8 3/4"	68.00
No-Hub	Y02	8 5/8"	N/C
	Y03, Y04	8 3/4"	N/C

OPTIONS:

OPTION	DESCRIPTION	ADD
-C	Aluminum Underdeck Clamp	121.00
-C2	Secondary Flashing Clamp	105.00
-CIDG	Galvanized Cast Iron Dome	220.00
-CL	Angular Underdeck Clamp	468.00
-E	4" High Extension	207.00
	per inch over 4"	105.00
-G	Galvanized Cast Iron Body	212.00
-R	Sump Receiver	121.00
-U	Vandal Proof Dome	85.00

FIG. DX1240 MEDIUM WIDE FLANGE BODY WITH "SAFE-SET" BUCKET

FUNCTION: Used in promenade roof decks where waterproof traffic bearing covering is to be applied. Sediment bucket prevents debris from entering the waste system.



A OUTLET SIZE	FLANGE DIA.	TOP SIZE	FREE AREA SQ IN	†DUCO CI CI TOP	DUCO CI PB TOP	DUCO CI NB TOP	APPROX. WEIGHT LBS
02, 03, 04"	17"	8 1/2"	9.25	526.00	792.00	855.00	27

REGULARLY FURNISHED: Duco Cast Iron Wide Flange Body with Grate and "Safe-Set" Sediment Bucket.

OUTLET VARIATIONS (Specify type of outlet and pipe size in inches.)

Outlet Type	Outlet Designation Outlet Type/Pipe Size	Body HT. DIM.	ADD
Inside Caulk	C02, C03, C04	4 1/2"	68.00
	Threaded	3 1/2"	68.00
	No-Hub	Y02, Y03, Y04	See Fig. 2646Y

OPTIONS:

OPTION	DESCRIPTION	ADD
-C	Underdeck Clamp	138.00
-G	Galvanized Cast Iron	414.00
-SH	Securing Holes	74.00
-U	Vandal Proof Grate	85.00

*Add 3/16" when bronze top is specified.

Use only where light rainfall is prevalent or in covered roof areas. When heavy rainfall is anticipated use DX1010 or DX2566.

ROOF DRAINS

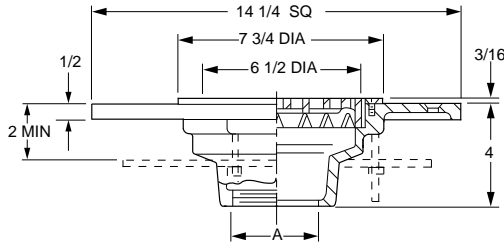


ROOF DRAINS

FIG. DX1250 SQUARE WIDE FLANGE BODY WITH NICKEL BRONZE TRACTOR GRATE



FUNCTION: Used in either wood or concrete deck installation where waterproof finished decks are installed. Large flange provides ample surface to receive the waterproofing membranes and the finished topping coat.



A OUTLET SIZE	FLANGE SQ.	TOP SIZE	FREE AREA SQ IN	DUCO CI PB TOP	†DUCO CI NB TOP	APPROX. WEIGHT LBS
02, 03, 04"	14 1/4"	7 3/4"	12.5	794.00	857.00	38

REGULARLY FURNISHED: Duco Cast Iron Wide Flange Body with Nickel Bronze Tractor Grate and Rim.

OUTLET VARIATIONS (Specify type of outlet and pipe size in inches.)

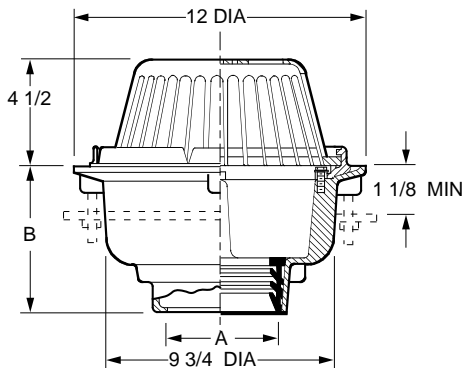
Outlet Type	Outlet Designation Outlet Type/Pipe Size	Body HT. DIM.	ADD
Inside Caulk	C02, C03, C04	4"	68.00
Threaded	T02, T03, T04	4"	68.00
No-Hub	Y02, Y03, Y04	See Fig. 2646Y	

OPTIONS:	ADD
-B Sediment Bucket	75.00
-C Underdeck Clamp	90.00
-G Galvanized Cast Iron	271.00
-SH Securing Holes	74.00
-U Vandal Proof Grate	89.00

Use only where light rainfall is prevalent or in covered roof areas. When heavy rainfall is anticipated use DX1010 or DX2566.

FIG. 1310 12" DIAMETER LOW PROFILE DOME

FUNCTION: Used in flat roofs of any construction where a medium sized drain is required. Flashing clamp holds flashing and roofing material without puncturing. Low profile dome protects sump and intercepts debris.



A OUTLET SIZE	FLANGE DIA.	FREE AREA SQ IN	†DUCO CI POLY DOME	APPROX. WEIGHT LBS
02, 03, 04"	12"	71.5	267.00	27
05, 06"	12"	71.5	267.00	27

REGULARLY FURNISHED: Duco Cast Iron Body with Combined Flashing Clamp and Gravel Stop with Polyethylene Dome.

OUTLET VARIATIONS (Specify type of outlet and pipe size in inches.)

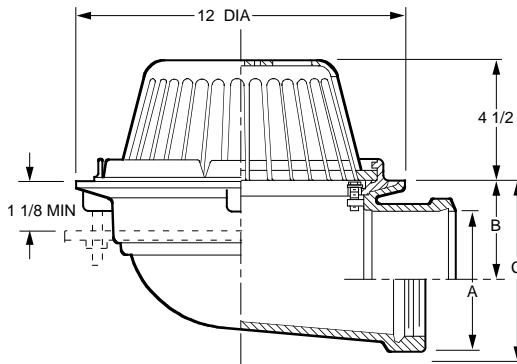
Outlet Type	Outlet Designation Outlet Type/Pipe Size	"B" Body HT. DIM.	ADD
Inside Caulk	C02, C03, C04, C05, C06	6"	68.00
Speedi-Set SW	L02, L03, L04	6"	32.00
Speedi-Set XH	LXH02, LXH03, LXH04	6"	32.00
Threaded	T02, T03, T04, T05, T06	4 3/4"	68.00
No-Hub	Y02, Y03, Y04, Y05, Y06	6"	N/C

OPTIONS:	ADD
-AD Aluminum Dome	72.00
-C Underdeck Clamp	121.00
-C2 Sec. Flash. Clamp	105.00
-CID Cast Iron Dome	72.00
-CIDG Cast Iron Dome with Galvanizing	220.00
-CIDSSM Cast Iron Dome w/SS Mesh	468.00
-CL Angular Underdeck Clamp	296.00
-E Ext. Per Inch to 4", CI	207.00
-E04P 4" Perf SS Extension	383.00
-R Sump Receiver	121.00
-G Galvanized Cast Iron	212.00
-RBD Rough Bronze Dome	338.00
-RDP Roof Deck Plate	159.00
-U Vandal Proof Dome	85.00
-WD02 2" Solid Water Dam	90.00

ROOF DRAINS

FIG. 1320 12" DIAMETER LOW PROFILE DOME

FUNCTION: Used in flat roofs of any construction where a medium sized drain is required. Flashing clamp holds flashing and roofing material without puncturing. Low profile dome protects sump and intercepts debris.



A OUTLET SIZE	FLANGE DIA.	B	FREE AREA SQ IN	†DUCO CI POLY DOME	APPROX. WEIGHT LBS
02"	12"	4 1/2"	71.5	423.00	30
03"	12"	4"	71.5	423.00	30
04"	12"	3 1/2"	71.5	423.00	30

REGULARLY FURNISHED: Duco Cast Iron Body with Combined Flashing Clamp and Gravel Stop with Polyethylene Dome.

OUTLET VARIATIONS (Specify type of outlet and pipe size in inches.)

Outlet Type	Outlet Designation Outlet Type/Pipe Size	"C" Body HT. DIM.	ADD
Inside Caulk	C02, C03, C04	6 5/8"	68.00
Threaded	T02, T03, T04	6 5/8"	68.00
No-Hub	Y02, Y03, Y04	6 5/8"	N/C

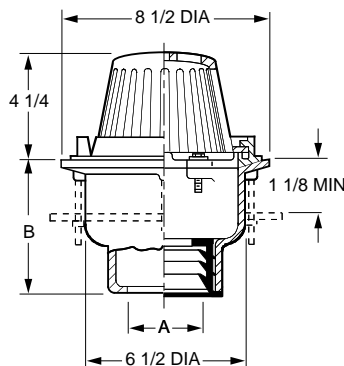
OPTIONS:

Options	ADD
-AD Aluminum Dome	72.00
-C Underdeck Clamp	121.00
-C2 Secondary Flashing Clamp	105.00
-CID Cast Iron Dome	72.00
-CIDG Cast Iron Dome with Galvanizing	220.00
-CIDSSM Cast Iron Dome w/SS Mesh	468.00
-CL Angular Underdeck Clamp	296.00
-E Ext, to 4" Per Inch, CI	207.00
-E04P 4" Perf SS Extension	401.00
-G Galvanized Cast Iron	212.00
-R Sump Receiver	121.00
-RBD Rough Bronze Dome	338.00
-U Vandal Proof Dome	85.00
-WD02 2" Solid Water Dam	90.00

ROOF DRAINS

FIG. 1330 8 1/2" DIAMETER LOW PROFILE DOME

FUNCTION: Used in flat roofs, gutters or valleys of any construction. Small diameter pan is particularly adaptable to gutters and valleys where limited space is available. Flashing clamp holds flashing and roofing materials without puncturing. Low profile dome provides sufficient free area for quick drainage of rain water and protects the drain sump and connected piping from the intrusion of debris.



A OUTLET SIZE	FLANGE DIA.	FREE AREA SQ IN	†DUCO CI CI DOME	APPROX. WEIGHT LBS
02, 03, 04"	8 1/2"	41.5	216.00	30

REGULARLY FURNISHED: Duco Cast Iron Body with Combined Flashing Clamp and Gravel Stop with Polyethylene Dome.

OUTLET VARIATIONS (Specify type of outlet and pipe size in inches.)

Outlet Type	Outlet Designation Outlet Type/Pipe Size	"B" Body HT. DIM.	ADD
Inside Caulk	C02, C03, C04	5 1/2"	N/C
Speedi-Set SW	L02, L03, L04	5 1/2"	32.00
Speedi-Set XH	LXH02, LXH03, LXH04	5 1/2"	32.00
Threaded	T02, T03, T04	4 1/4"	58.00
No-Hub	Y02, Y03, Y04	5 1/2"	N/C

OPTIONS:

Options	ADD
-AD Aluminum Dome	144.00
-C Underdeck Clamp	121.00
-C2 Secondary Flashing Clamp	105.00
-CIDSSM Cast Iron Dome w/SS Mesh	382.00
-CL Angular Underdeck Clamp	296.00
-E Ext, to 4" Per Inch, CI	207.00
-E04P 4" Perf SS Extension	379.00
-G Galvanized Cast Iron	212.00
-R Sump Receiver	121.00
-RBD Rough Bronze Dome	271.00
-RDP Roof Deck Plate	211.00
-U Vandal Proof Dome	85.00
-WD02 2" Solid Water Dam	82.00

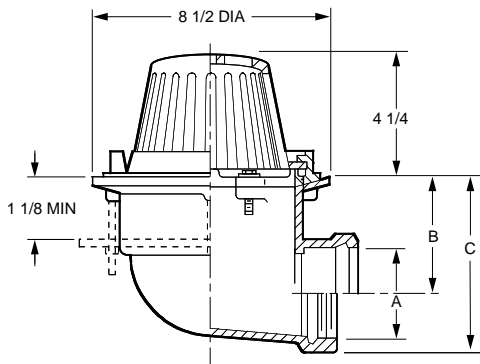


ROOF DRAINS

FIG. 1340 8 1/2" DIAMETER LOW PROFILE DOME



FUNCTION: Used in flat roofs, gutters or valleys of any construction. Small diameter pan is particularly adaptable to gutters and valleys where limited space is available. Flashing clamp holds flashing and roofing materials without puncturing. Low profile dome provides sufficient free area or quick drainage of rain water and protects the drain sump and connected piping from the intrusion of debris.



A OUTLET SIZE	FLANGE DIA.	B	FREE AREA SQ IN	†DUCO CI POLY DOME	DUCO CI CI DOME	APPROX. WEIGHT LBS
02"	8 1/2"	4 1/2"	41.5	432.00	353.00	30
03"	8 1/2"	4"	41.5	432.00	353.00	30
04"	8 1/2"	3 1/2"	41.5	432.00	353.00	30

REGULARLY FURNISHED: Duco Cast Iron Body with Combined Flashing Clamp and Gravel Stop with Polyethylene Dome.

OUTLET VARIATIONS (Specify type of outlet and pipe size in inches.)

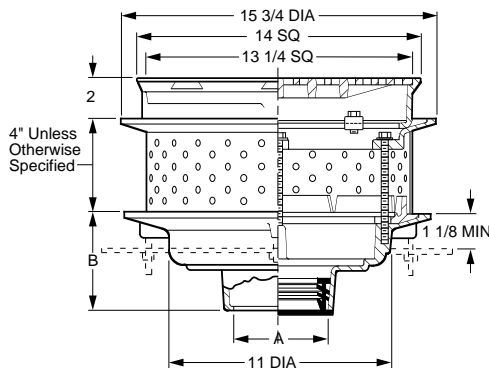
Outlet Type	Outlet Designation Outlet Type/Pipe Size	"C" Body HT. DIM.	ADD
Inside Caulk	C02, C03, C04	6 1/4"	N/C
Threaded	T02, T03, T04	6 1/4"	58.00
No-Hub	Y02, Y03, Y04		See Fig. 2646Y

OPTIONS:

OPTION	DESCRIPTION	ADD
-AD	Aluminum Dome	144.00
-C	Underdeck Clamp	121.00
-C2	Sec. Flash. Clamp	105.00
-CIDG	Cast Iron Dome w/Galvanizing	87.00
-CL	Angular Underdeck Clamp	296.00
-E	Ext. to 4" Per Inch, CI	207.00
-E04P	4" Perf SS Extension	379.00
-G	Galvanized Cast Iron	212.00
-R	Sump Receiver	121.00
-RBD	Rough Bronze Dome	271.00
-CIDSSM	SS Mesh on Metal Dome	382.00
-U	Vandal Proof Dome	85.00
-WD02	2" Solid Water Dam	82.00

FIG. 1409 PROMENADE DECK DRAIN

FUNCTION: Used in roof deck systems where the insulated membrane assembly method of waterproofing is provided. Used where built-up felt and asphalt waterproofing is installed on a flat roof construction which is designed for parking decks or promenades for recreational purposes.



A OUTLET SIZE	TOP SIZE	FREE AREA SQ IN	†DUCO CI	DUCO CI PB TOP	DUCO CI NB TOP	APPROX. WEIGHT LBS
02, 03, 04"	14"	50.25	1,413.00	2,049.00	2,209.00	65
06, 08"	14"	50.25	1,604.00	2,155.00	2,316.00	72

REGULARLY FURNISHED: Duco Cast Iron Body, Perforated Stainless Steel Extension with Secondary Flashing Clamp, Cast Iron Top Frame and Heavy Duty Secured Grate.

OUTLET VARIATIONS (Specify type of outlet and pipe size in inches.)

Outlet Type	Outlet Designation Outlet Type/Pipe Size	"B" Body HT. DIM.	ADD
Inside Caulk	C02, C03, C04, C06	5"	68.00
Speedi-Set SW	L02, L03, L04	5"	32.00
Speedi-Set XH	LXH02, LXH03, LXH04	5"	32.00
Threaded	T02, T03, T04, T06	3 3/4"	68.00
No-Hub	Y02, Y03, Y04, Y06	5"	N/C

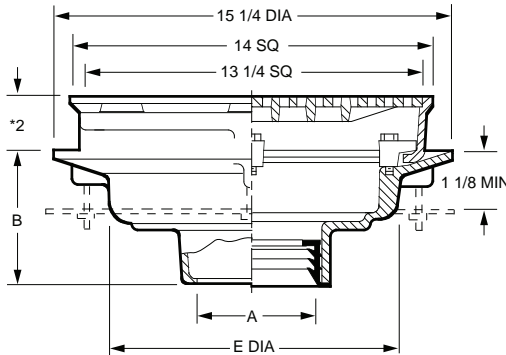
OPTIONS:

OPTION	DESCRIPTION	ADD
-B	Sediment Bucket	155.00
-C	Aluminum Underdeck Clamp	121.00
-CL	Angular Underdeck Clamp	296.00
-E	Perf. Extension, to 4" Over 4", per inch	207.00 105.00
-G	Galvanized Cast Iron	212.00
-HP	Heelproof Grate	N/C
-M	Ductile Iron Grate	411.00
-R	Sump Receiver	121.00
-U	Vandal Proof Grate	85.00
-W	3/8" Weep Holes in Collar (When "Loose-Set" pavers are required)	117.00

ROOF DRAINS

FIG. 1410 LARGE-14" DECK DRAINS

FUNCTION: Used in flat roofs and decks which are designed as parking decks or promenades for recreational purposes. Body and accessories are compatible for installation in all types of roof construction. Large square top blends in with "block" patterns and has sufficient open free area for proper drainage.



A OUTLET SIZE	TOP SIZE	E DIA	FREE AREA SQ IN	†DUCO CI	DUCO CI PB TOP	DUCO CI NB TOP	APPROX. WEIGHT LBS
02, 03, 04"	14"	11"	50.25	977.00	1,613.00	1,773.00	47
06"	14"	11"	50.25	1,168.00	1,719.00	1,880.00	48
08"	14"	12 1/2"	50.25	1,168.00	1,719.00	1,880.00	65

REGULARLY FURNISHED: Duco Cast Iron Body and Flashing Clamp with Seepage Openings and Secured Square Hole Heavy Duty Grate.

NOTE: Floor drains or area drains used to drain areas subject to rainfall should have an open area equal to twice the cross sectional area of the connecting pipe.

OUTLET VARIATIONS (Specify type of outlet and pipe size in inches.)

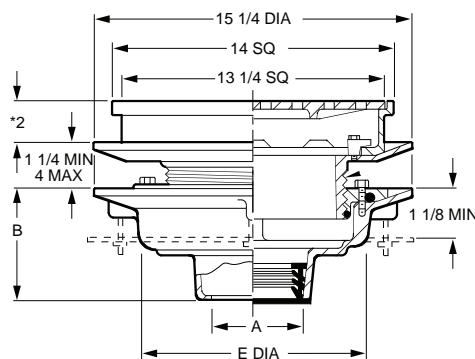
Outlet Type	Outlet Designation	"B" Body HT. DIM.	ADD
Inside Caulk	C02, C03, C04, C06	5"	68.00
	C08	6"	68.00
Speedi-Set SW	L02, L03, L04	5"	32.00
Speedi-Set XH	LXH02, LXH03, LXH04	5"	32.00
Threaded	T02, T03, T04, T06	3 3/4"	68.00
	T08	5"	68.00
No-Hub	Y02, Y03, Y04, Y06	5"	N/C
	Y08	6"	N/C

OPTIONS:	ADD
-B Sediment Bucket	155.00
-C Aluminum Underdeck Clamp	121.00
-C2 Sec Flashing Clamp	105.00
-CL Angular Underdeck Clamp	296.00
-DE Deck Elevator Extension	159.00
-DX Wide Flange	784.00
-E Extension, Up to 4" per inch over 4"	207.00
-G Galvanized Cast Iron	212.00
-HP Heelproof Grate	N/C
-M Ductile Iron Grate	411.00
-NBM DI Undergrate with NB Top, add to CI	1,207.00
-PBM DI Undergrate with PB Top, add to CI	1,047.00
-R Sump Receiver	121.00
-RDP Roof Deck Plate	159.00
-U Vandal Proof Grate	85.00
-W 3/8" Weep Holes in Collar (When "Loose-Set" pavers are required)	117.00

*Add 1/8" when bronze top is specified.

FIG. 1415 ADJUSTABLE ROOF DRAIN

FUNCTION: Used in roof systems where the insulated membrane assembly of waterproofing is provided. Used where built-up felt and asphalt waterproofing is installed on a flat roof construction which is designed for parking decks or promenades for recreational purposes. Adjustable extension sleeve permits top adjustment.



A OUTLET SIZE	TOP SIZE	E DIA.	FREE AREA SQ IN	†DUCO CI	DUCO CI PB TOP	DUCO CI NB TOP	APPROX. WEIGHT LBS
02, 03, 04"	14"	11"	50.25	1,348.00	1,984.00	2,144.00	65
06"	14"	11"	50.25	1,539.00	2,090.00	2,251.00	72
08"	14"	12 1/2"	50.25	1,539.00	2,090.00	2,251.00	89

REGULARLY FURNISHED: Duco Cast Iron Body with Adjustable Extension Sleeve, Reversible Collar, Combined Flashing Collar and Clamp and Secured Square Hole Grate.

NOTE: Floor drains or area drains used to drain areas subject to rainfall should have an open area equal to twice the cross sectional area of the connecting pipe.

OUTLET VARIATIONS (Specify type of outlet and pipe size in inches.)

Outlet Type	Outlet Designation	"B" Body HT. DIM.	ADD
Inside Caulk	C02, C03, C04, C06	5"	68.00
	C08	6"	68.00
Speedi-Set SW	L02, L03, L04	5"	32.00
Speedi-Set XH	LXH02, LXH03, LXH04	5"	32.00
Threaded	T02, T03, T04, T06	3 3/4"	68.00
	T08	5"	68.00
No-Hub	Y02, Y03, Y04, Y06	5"	N/C
	Y08	6"	N/C

OPTIONS:	ADD
-C Aluminum Underdeck Clamp	121.00
-C2 Sec Flashing Clamp	105.00
-CL Angular Underdeck Clamp	296.00
-G Galvanized Cast Iron	335.00
-HP Heelproof Grate	N/C
-M Ductile Iron Grate	411.00
-NBM DI Undergrate with NB Top, add to CI	1,207.00
-PBM DI Undergrate with PB Top, add to CI	1,047.00
-R Sump Receiver	121.00
-U Vandal Proof Grate	85.00
-W 3/8" Weep Holes in Collar (When "Loose-Set" pavers are required)	117.00

*Add 1/8" when bronze top is specified.

ROOF DRAINS

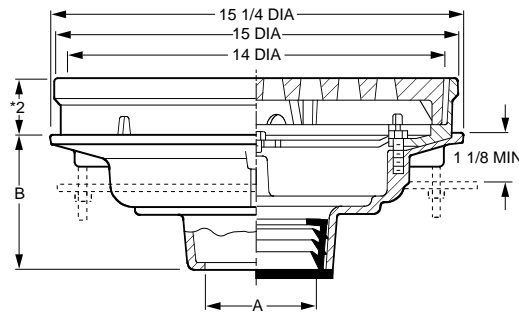


ROOF DRAINS

FIG. 1416 HEAVY DUTY ROOF DRAIN



FUNCTION: Used in heavy traffic areas, such as parking decks, where waste water contains no sediment or debris and construction requires a shallow body. Large top area permits use where high flow is anticipated.



A OUTLET SIZE	TOP SIZE	FREE AREA SQ IN	†DUCO CI	DUCO CI PB TOP	DUCO CI NB TOP	APPROX. WEIGHT LBS
02, 03, 04"	15"	45	953.00	2,356.00	2,517.00	47
05, 06"	15"	45	1,135.00	2,538.00	2,699.00	48
08"	15"	45	3,320.00	2,723.00	2,884.00	65

REGULARLY FURNISHED: Duco Cast Iron Body, Flashing Collar and Heavy Duty Tractor Grate.

OUTLET VARIATIONS (Specify type of outlet and pipe size in inches.)

Outlet Type	Outlet Designation Outlet Type/Pipe Size	"B" Body HT. DIM.	ADD
Inside Caulk	C02, C03, C04, C05, C06	5"	68.00
	C08	6"	68.00
Speedi-Set SW	L02, L03, L04	5"	32.00
Speedi-Set XH	LXH02, LXH03, LXH04	5"	32.00
Threaded	T02, T03, T04, T05, T06	3 3/4"	68.00
	T08	5"	68.00
No-Hub	Y02, Y03, Y04, Y05, Y06	5"	N/C
	Y08	6"	N/C

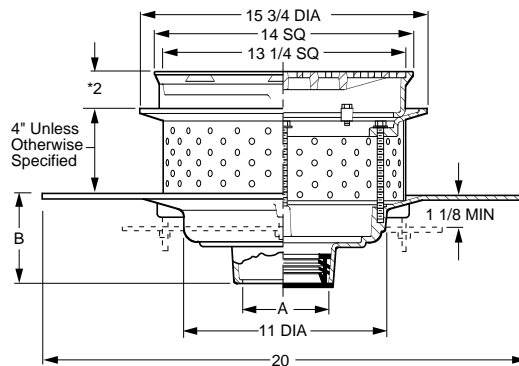
OPTIONS:	ADD
-B Sediment Bucket	156.00
-C Aluminum Underdeck Clamp	146.00
-CL Angular Underdeck Clamp	296.00
-D Dome Grate, CI	244.00
-DNB Dome Grate, add to CI	2,109.00
-DPB Dome Grate, add to CI	1,910.00
-G Galvanized Body	666.00
-M Ductile Iron Grate	400.00
-R Sump Receiver	164.00
-S Square Top, CI	286.00
-SNB Square Top, add to CI	1,966.00
-SPB Square Top, add to CI	1,782.00
-U Vandal Proof Grate	89.00

NOTE: Floor drains or area drains used to drain areas subject to rainfall should have an open area equal to twice the cross sectional area of the connecting pipe.

*Add 1/4" when bronze top is specified.

FIG. 1419 PROMENADE DECK DRAIN FOR SPECIAL APPLICATIONS

FUNCTION: Used in roof deck systems where the insulated membrane assembly method of waterproofing is provided. Used where a liquid membrane waterproofing is installed on a flat roof construction which is designed for parking decks or promenades for recreational purposes.



A OUTLET SIZE	TOP SIZE	FREE AREA SQ IN	†DUCO CI	DUCO CI PB TOP	DUCO CI NB TOP	APPROX. WEIGHT LBS
02, 03, 04"	14"	50.25	2,014.00	2,510.00	2628.00	47
05, 06"	14"	50.25	2,197.00	2,693.00	2811.00	48

REGULARLY FURNISHED: Duco Cast Iron Body, Perforated Stainless Steel Extension, Cast Iron Top Frame and Heavy Duty Secured Grate.

OUTLET VARIATIONS (Specify type of outlet and pipe size in inches.)

Outlet Type	Outlet Designation Outlet Type/Pipe Size	"B" Body HT. DIM.	ADD
Inside Caulk	C02, C03, C04, C05, C06	5"	68.00
	C08	6"	68.00
Speedi-Set SW	L02, L03, L04	5"	32.00
Speedi-Set XH	LXH02, LXH03, LXH04	5"	32.00
Threaded	T02, T03, T04, T05, T06	3 3/4"	68.00
	T08	5"	68.00
No-Hub	Y02, Y03, Y04, Y05, Y06	5"	N/C

OPTIONS:	ADD
-C Aluminum Underdeck Clamp	146.00
-CL Angular Underdeck Clamp	296.00
-E Perf Extension, to 4"	N/C
Over 4", per inch	46.00
-G Galvanized Cast Iron	759.00
-HP Heelproof Grate	N/C
-M Ductile Iron Grate	373.00
-U Vandal Proof Grate	89.00
-W 3/8" Weep Holes	117.00
(When "Loose-Set" pavers are required)	

NOTE: Floor drains or area drains used to drain areas subject to rainfall should have an open area equal to twice the cross sectional area of the connecting pipe.

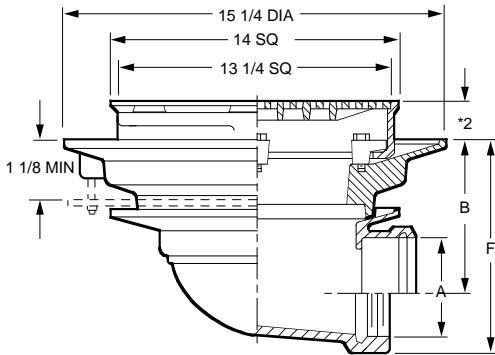
*Add 1/8" when bronze top is specified.



ROOF DRAINS

FIG. 1420 LARGE 14" DECK DRAIN

FUNCTION: Used in flat roofs and decks which are designed as parking decks or promenades for recreational purposes. Body and accessories are compatible for installation in all types of roof construction. Large square top blends in with "block" patterns and has sufficient open free area for proper drainage.



A OUTLET SIZE	TOP SIZE	B	FREE AREA SQ IN	†DUCO CI	DUCO CI PB TOP	DUCO CI NB TOP	APPROX. WEIGHT LBS
02"	14"	6 7/8"	50.25	1,142.00	1,778.00	1,938.00	47
03"	14"	6 3/8"	50.25	1,142.00	1,778.00	1,938.00	47
04"	14"	5 7/8"	50.25	1,142.00	1,778.00	1,938.00	47
05"	14"	5"	50.25	1,333.00	1,884.00	2,045.00	48
06"	14"	4 1/2"	50.25	1,333.00	1,884.00	2,045.00	48

REGULARLY FURNISHED: Duco Cast Iron Body and Flashing Clamp with Seepage Openings and Secured Square Hole Heavy Duty Grate.

OUTLET VARIATIONS (Specify type of outlet and pipe size in inches.)

Outlet Type	Outlet Designation Outlet Type/Pipe Size	"F" Body HT. DIM.	ADD
Inside Caulk	C02	8 5/8"	68.00
	C03, C04	8 3/4"	68.00
	C05, C06	8 1/2"	68.00
Threaded	T02	8 5/8"	68.00
	T03, T04	8 3/4"	68.00
	T05, T06	8 1/2"	68.00
	No-Hub	Y02	8 5/8"
	Y03, Y04	8 3/4"	N/C
	Y05, Y06		See Fig. 2646Y

OPTIONS:

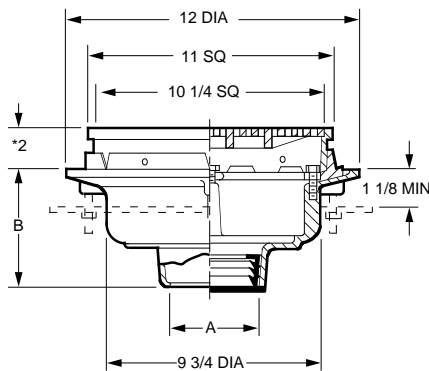
	ADD
-B Sediment Bucket	155.00
-C Aluminum Underdeck Clamp	121.00
-C2 Sec Flashing Clamp	105.00
-CL Angular Underdeck Clamp	105.00
-E Extension, Up to 4"	207.00
per inch over 4"	105.00
-G Galvanized Cast Iron	212.00
-HP Heelproof Grate	N/C
-M Ductile Iron Grate	366.00
-NBM DI Undergrate with NB Top, add to CI	1,207.00
-PBM DI Undergrate with PB Top, add to CI	1,047.00
-R Sump Receiver	121.00
-U Vandal Proof Grate	85.00
-W 3/8" Weep Holes in Collar (When "Loose-Set" pavers are required)	117.00

NOTE: Floor drains or area drains used to drain areas subject to rainfall should have an open area equal to twice the cross sectional area of the connecting pipe.

*Add 1/8" when bronze top is specified.

FIG. 1450 MEDIUM - 11" SQUARE DECK DRAIN

FUNCTION: For use in small roof areas which are designed for promenade or recreational purposes. Square top design is compatible with "block" patterns. This drain should be used for small roof areas only and where light rainfall is expected.



A OUTLET SIZE	TOP SIZE	FREE AREA SQ IN	†DUCO CI	DUCO CI PB TOP	DUCO CI NB TOP	APPROX. WEIGHT LBS
02, 03, 04"	11"	31	690.00	1,079.00	1,238.00	48
05, 06"	11"	31	690.00	1,079.00	1,238.00	48

REGULARLY FURNISHED: Duco Cast Iron Body and Flashing Clamp with Seepage Openings and Secured Square Hole Light Duty Grate.

OUTLET VARIATIONS (Specify type of outlet and pipe size in inches.)

Outlet Type	Outlet Designation Outlet Type/Pipe Size	B Body HT. DIM.	ADD
Inside Caulk	C02, C03, C04, C05, C06	6"	68.00
	Speedi-Set SW	L02, L03, L04	6"
Speedi-Set XH	LXH02, LXH03, LXH04	6"	32.00
Threaded	T02, T03, T04, T05, T06	4 3/4"	68.00
	No-Hub	Y02, Y03, Y04, Y05, Y06	6"

OPTIONS:

	ADD
-B Sediment Bucket	155.00
-C Underdeck Clamp	121.00
-C2 Sec Flashing Clamp	105.00
-CL Angular Underdeck Clamp	296.00
-E Extension per inch to 4"	207.00
-E04P 4" Perf SS Extension	383.00
-G Galvanized Cast Iron	212.00
-HP Heelproof Grate	N/C
-M Ductile Iron Grate	366.00
-R Sump Receiver	131.00
-U Vandal Proof Grate	85.00

NOTE: Floor drains or area drains used to drain areas subject to rainfall should have an open area equal to twice the cross sectional area of the connecting pipe.

*Add 3/16" when bronze top is specified.

ROOF DRAINS

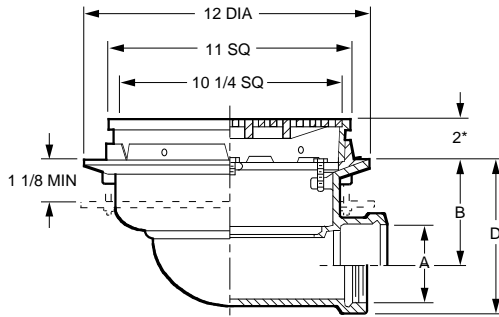


ROOF DRAINS

FIG. 1460 MEDIUM - 11" SQUARE PROMENADE DECK DRAIN



FUNCTION: Medium size deck drain for use in flat roof decks. Body and accessories are compatible for installation in all types of roof construction. Square medium size top fits in with "block" patterns. This drain should only be used in areas of moderate flow requirements.



A OUTLET SIZE	TOP SIZE	B	FREE AREA SQ IN	†DUCO CI	DUCO CI PB TOP	DUCO CI NB TOP	APPROX. WEIGHT LBS
02"	11"	4 1/2"	31	846.00	1,235.00	1,392.00	51
03"	11"	4"	31	846.00	1,235.00	1,392.00	51
04"	11"	3 1/2"	31	846.00	1,235.00	1,392.00	51

REGULARLY FURNISHED: Duco Cast Iron Body and Flashing Clamp with Seepage Openings and Secured Square Hole Light Duty Grate.

OUTLET VARIATIONS (Specify type of outlet and pipe size in inches.)

Outlet Type	Outlet Designation Outlet Type/Pipe Size	D Body HT. DIM.	ADD
Inside Caulk	C02	6 1/2"	68.00
	C03, C04	6 5/8"	68.00
Threaded	T02, T03, T04	6 1/2"	68.00
	T03, T04	6 5/8"	68.00
No-Hub	Y02	6 1/2"	N/C
	Y03, Y04	6 5/8"	N/C

OPTIONS:

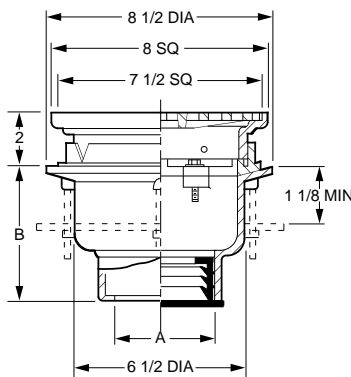
OPTION	DESCRIPTION	ADD
-C	Underdeck Clamp	121.00
-C2	Sec. Flash. Clamp	105.00
-E	Extension, per inch to 4"	207.00
-E04P	4" Perf SS Extension	399.00
-G	Galvanized Cast Iron	212.00
-HP	Heelproof Grate	N/C
-M	Ductile Iron Grate	366.00
-R	Sump Receiver	121.00
-U	Vandal Proof Grate	85.00

NOTE: Floor drains or area drains used to drain areas subject to rainfall should have an open area equal to twice the cross sectional area of the connecting pipe.

*Add 3/16" when bronze top is specified.

FIG. 1470 SMALL - 8" SQUARE PROMENADE DECK DRAIN

FUNCTION: For use in small roof areas which are designed for promenade or recreational purposes. Square top design is compatible with "block" patterns. This drain should be used for small roof areas only and where light rainfall is expected.



A OUTLET SIZE	TOP SIZE	FREE AREA SQ IN	†DUCO CI	DUCO CI PB TOP	DUCO CI NB TOP	APPROX. WEIGHT LBS
02, 03, 04"	8"	19	531.00	800.00	959.00	21

REGULARLY FURNISHED: Duco Cast Iron Body and Flashing Clamp with Seepage Openings and Secured Square Hole Light Duty Grate.

OUTLET VARIATIONS (Specify type of outlet and pipe size in inches.)

Outlet Type	Outlet Designation Outlet Type/Pipe Size	"B" Body HT. DIM.	ADD	
Inside Caulk	C02, C03, C04	5 1/2"	68.00	
	Speedi-Set SW	L02, L03, L04	5 1/2"	32.00
	Speedi-Set XH	LXH02, LXH03, LXH04	5 1/2"	32.00
Threaded	T02, T03	4 1/4"	68.00	
	No-Hub	Y02, Y03, Y04	5 1/2"	N/C

OPTIONS:

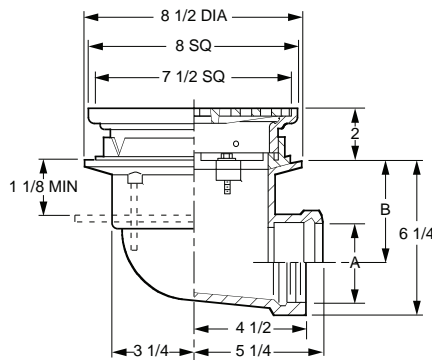
OPTION	DESCRIPTION	ADD
-B	Sediment Bucket	155.00
-C	Underdeck Clamp	121.00
-C2	Sec. Flash. Clamp	105.00
-E	Extension, per inch to 4"	207.00
-E04P	4" Perf SS Extension	299.00
-G	Galvanized Cast Iron	212.00
-HP	Heelproof Grate	N/C
-M	Ductile Iron Grate	366.00
-R	Sump Receiver	121.00
-U	Vandal Proof Grate	85.00

NOTE: Floor drains or area drains used to drain areas subject to rainfall should have an open area equal to twice the cross sectional area of the connecting pipe.

ROOF DRAINS

FIG. 1480 SMALL - 8" SQUARE PROMENADE DECK DRAIN

FUNCTION: Medium size deck drain for use in flat roof decks. Body and accessories are compatible for installation in all types of roof construction. Square medium size top fits in with "block" patterns. This drain should only be used in areas of moderate flow requirements.



OUTLET VARIATIONS (Specify type of outlet and pipe size in inches.)

Outlet Type	Outlet Designation Outlet Type/Pipe Size	Body HT. DIM.	ADD
Inside Caulk	C02, C03, C04	6 1/4"	68.00
Threaded	T02, T03	6 1/4"	N/C
No-Hub	Y02, Y03, Y04		See Fig. 2646Y

OPTIONS:

Option	Description	ADD
-B	Sediment Bucket	155.00
-C	Underdeck Clamp	121.00
-C2	Sec. Flash. Clamp	105.00
-E	Extension, per inch to 4"	207.00
-E04P	4" Perf SS Extension	299.00
-G	Galvanized Cast Iron	212.00
-HP	Heelproof Grate	N/C
-M	Ductile Iron Grate	366.00
-R	Sump Receiver	121.00
-U	Vandal Proof Grate	85.00

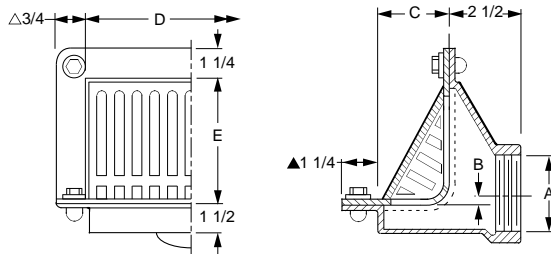
A OUTLET SIZE	TOP SIZE	B	FREE AREA SQ IN	†DUCO CI	DUCO CI PB TOP	DUCO CI NB TOP	APPROX. WEIGHT LBS
02"	8"	4 1/2"	19	675.00	944.00	1,103.00	30
03"	8"	4"	19	675.00	944.00	1,103.00	30
04"	8"	3 1/2"	19	675.00	944.00	1,103.00	30

REGULARLY FURNISHED: Duco Cast Iron Body and Flashing Clamp with Seepage Openings and Secured Square Hole Light Duty Grate.

ROOF DRAINS

FIG. 1510 SCUPPER DRAIN - ANGLE GRATE

FUNCTION: Used at junction of roof and parapet. Side outlet 90° drains may be connected to outside downspout by using drain in conjunction with Fig. 1550 downspout adaptor. The angle grate prevents debris from blocking drainage.



OUTLET VARIATIONS (Specify type of outlet and pipe size in inches.)

Outlet Type	Outlet Designation Outlet Type/Pipe Size	ADD
Threaded	T02, T03	N/C
	T06	N/C

OPTIONS:

Option	Description	ADD
-G	Galvanized Cast Iron	
	02, 03, 04"	151.00
	05, 06"	365.00
-SEC	Secured Grate	81.00
-U	Vandal Proof Grate	81.00

A OUTLET SIZE	B	C	D	E	FREE AREA SQ IN	†DUCO CI	DUCO CI RB FACE	DUCO CI PB FACE	DUCO CI NB FACE	APPROX. WEIGHT LBS
02"	*	3 1/4"	8 3/4"	5	17.75	473.00	616.00	638.00	734.00	16
03"	1/4"	3 1/4"	8 3/4"	5	17.75	473.00	616.00	638.00	734.00	16
04"	1"	3 1/4"	8 3/4"	5	17.75	473.00	616.00	638.00	734.00	16

* 02" Size "B" Dimension is 1/4" below flange, not above as shown.

▲For 05 & 06" size, add 1/2".

▲For 05 & 06" size, reduce by 3/16".

REGULARLY FURNISHED:

Duco Cast Iron Body, Flashing Clamp and Loose Set Grate.



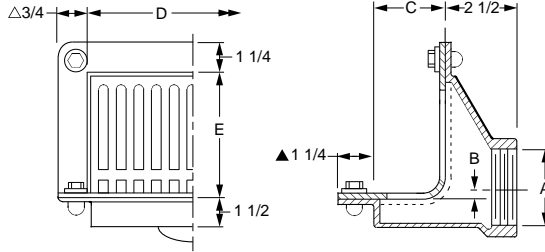
ROOF DRAINS

FIG. 1520 SCUPPER DRAIN - FLUSH GRATE



FUNCTION: Used at junction of roof and parapet. Side outlet 90° drains may be connected to outside downspout by using drain in conjunction with Fig. 1550 downspout adaptor. The flush grate prevents obstruction to traffic.

OUTLET VARIATIONS (Specify type of outlet and pipe size in inches.)



Outlet Type	Outlet Designation Type/Pipe Size	ADD
Threaded.....	T02, T03, T04.....	N/C
	T05, T06.....	N/C

OPTIONS:	ADD
-G Galvanized Cast Iron	
02, 03, 04".....	151.00
05, 06".....	244.00
-SEC Secured Grate.....	81.00
-U Vandal Proof Grate.....	81.00

* 02" Size "B" Dimension is 1/4" below flange, not above as shown.
 △For 05 & 06" size, add 1/2".
 ▲For 05 & 06" size, reduce by 3/16".

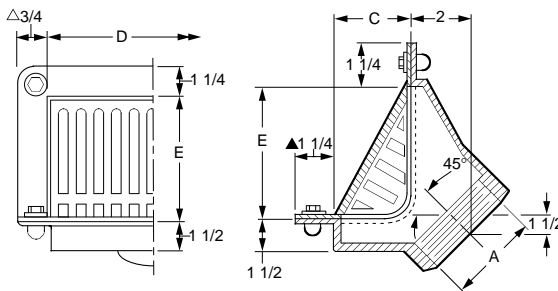
A OUTLET SIZE	B	C	D	E	FREE AREA SQ IN	†DUCO CI	DUCO CI RB FACE	DUCO CI PB FACE	DUCO CI NB FACE	APPROX. WEIGHT LBS
02"	*	3 1/4"	8 3/4"	5"	20	494.00	645.00	665.00	761.00	16
03"	1/4"	3 1/4"	8 3/4"	5"	20	494.00	645.00	665.00	761.00	16
04"	1"	3 1/4"	8 3/4"	5"	20	494.00	645.00	665.00	761.00	16
05"	1 3/4"	4 1/4"	10 1/2"	6 1/2"	40	837.00	985.00	1,143.00	1,223.00	23
06"	1 3/4"	4 1/4"	10 1/2"	6 1/2"	40	837.00	985.00	1,143.00	1,223.00	23

REGULARLY FURNISHED: Duco Cast Iron Body, Flashing Clamp and Loose Set Grate.

FIG. 1530 SCUPPER DRAIN - ANGLE GRATE

FUNCTION: Used at junction of roof and parapet. When connecting to an inside leader, the 45° outlet drains may be easily offset into the wall. The angle grate prevents debris from blocking drainage.

OUTLET VARIATIONS (Specify type of outlet and pipe size in inches.)



Outlet Type	Outlet Designation Type/Pipe Size	ADD
Threaded.....	T02, T03, T04.....	N/C
	T05, T06.....	N/C

OPTIONS:	ADD
-G Galvanized Cast Iron	
02, 03, 04".....	151.00
05, 06".....	244.00
-SEC Secured Grate.....	81.00
-U Vandal Proof Grate.....	81.00

△For 05 & 06" size, add 1/2".
 ▲For 05 & 06" size, reduce by 3/16".

A OUTLET SIZE	C	D	E	FREE AREA SQ IN	†DUCO CI	DUCO CI RB FACE	DUCO CI PB FACE	DUCO CI NB FACE	APPROX. WEIGHT LBS
02"	3 1/4"	8 3/4"	5"	17.75	446.00	616.00	616.00	736.00	16
03"	3 1/4"	8 3/4"	5"	17.75	446.00	616.00	616.00	736.00	16
04"	3 1/4"	8 3/4"	5"	17.75	446.00	616.00	616.00	736.00	16
05"	4 1/4"	10 1/2"	6 1/2"	35	730.00	1,353.00	1,353.00	1,510.00	23
06"	4 1/4"	10 1/2"	6 1/2"	35	730.00	1,353.00	1,353.00	1,510.00	23

REGULARLY FURNISHED: Duco Cast Iron Body, Flashing Clamp and Loose Set Grate.

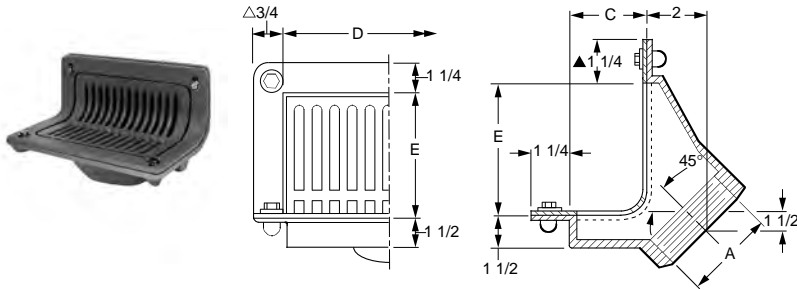


ROOF DRAINS



FIG. 1540 SCUPPER DRAIN - FLUSH GRATE

FUNCTION: Used at junction of roof and parapet. When connecting to an inside leader, the 45° outlet drains may be easily offset into the wall. The flush grate prevents obstruction to traffic.



OUTLET VARIATIONS (Specify type of outlet and pipe size in inches.)

Outlet Type	Outlet Designation Outlet Type/Pipe Size	ADD
Threaded.....	T02, T03, T04	N/C
	T05, T06	N/C

OPTIONS:	ADD
-Galvanized CI	
02, 03, 04"	151.00
05, 06"	293.00
-SEC Secured Grate	81.00
-U Vandal Proof Grate	81.00

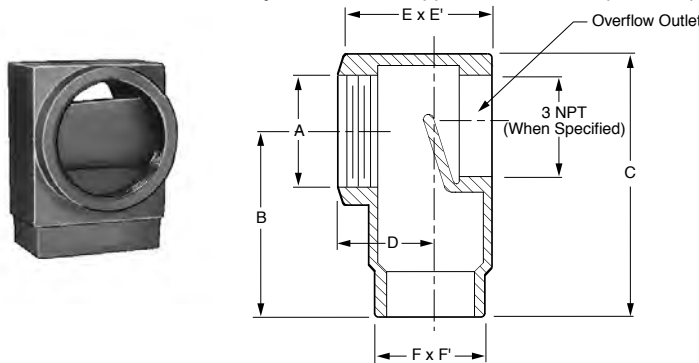
A OUTLET SIZE	C	D	E	FREE AREA SQ IN	†DUCO CI	DUCO CI RB FACE	DUCO CI PB FACE	DUCO CI NB FACE	APPROX. WEIGHT LBS
02"	3 1/4"	8 3/4"	5"	20	446.00	616.00	616.00	736.00	16
03"	3 1/4"	8 3/4"	5"	20	446.00	616.00	616.00	736.00	16
04"	3 1/4"	8 3/4"	5"	20	446.00	616.00	616.00	736.00	16
05"	4 1/4"	10 1/2"	6 1/2"	40	766.00	1,192.00	1,192.00	1,772.00	23
06"	4 1/4"	10 1/2"	6 1/2"	40	766.00	1,192.00	1,192.00	1,772.00	23

△For 05 & 06" size, add 1/2".
▲For 05 & 06" size, reduce by 3/16".

REGULARLY FURNISHED: Duco Cast Iron Body, Flashing Clamp and Loose Set Grate.

FIG. 1550 - DOWNSPOUT ADAPTOR

FUNCTION: Used in conjunction with scupper drains. Downspout adaptor is used to connect outside downspout to side outlet 90° drains.



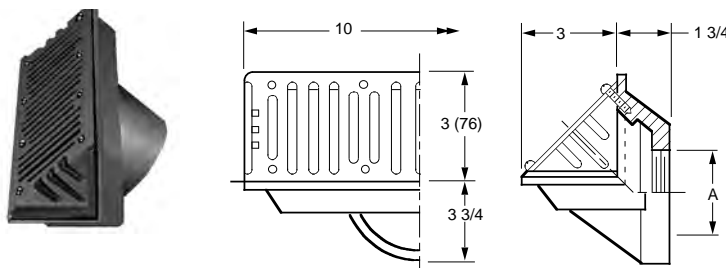
OPTIONS:	ADD
-N3 3" NPT Tapping	47.00

A OUTLET SIZE	B	C	D	E x E' TOP SIZE	F x F'	†DUCO CI	GALV CI	APPROX. WEIGHT LBS
02, 03, 04"	4 3/4"	7 1/4"	2 3/4"	4 1/4" x 5 3/8"	3" x 5"	794.00	945.00	16

REGULARLY FURNISHED: Duco Cast Iron.

FIG. 1560 SCUPPER DRAIN - 90° OUTLET

FUNCTION: Used at junction of roof and parapet or in metal lined gutters. Gasket and metal lining are secured with grate, insuring a watertight arrangement.



OUTLET VARIATIONS (Specify type of outlet and pipe size in inches.)

Outlet Type	Outlet Designation Outlet Type/Pipe Size	ADD
Threaded.....	T02, T03	N/C

A OUTLET SIZE	FLANGE SIZE	FREE AREA SQ IN	†ALL RB	RB BODY PB TOP(PB)	RB BODY NB TOP(NB)	APPROX. WEIGHT LBS
02, 03"	3 x 10"	14.5	686.00	880.00	1,086.00	21

REGULARLY FURNISHED: Cast Bronze Body with Combined Rough Bronze Grate, Flashing Clamp and Gasket.

ROOF DRAINS

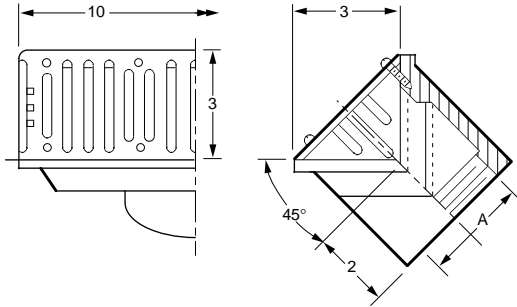


ROOF DRAINS

FIG. 1570 SCUPPER DRAIN - 45° OUTLET



FUNCTION: Used at junction of roof and parapet or in metal lined gutters. Gasket and metal lining are secured with grate, insuring a watertight arrangement.



OUTLET VARIATIONS (Specify type of outlet and pipe size in inches.)

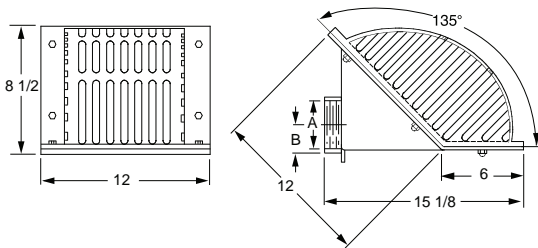
Outlet Type	Outlet Designation Outlet Type/Pipe Size	ADD
Threaded.....	T02, T03.....	N/C

A OUTLET SIZE	FLANGE SIZE	FREE AREA SQ IN	†ALL RB	RB BODY PB TOP(PB)	RB BODY NB TOP(NB)	APPROX. WEIGHT LBS
02, 03"	3 x 10"	14.5	686.00	880.00	1,086.00	21

REGULARLY FURNISHED: Cast Bronze Body with Combined Rough Bronze Grate, Flashing Clamp and Gasket.

FIG. 1580 SCUPPER DRAIN - CONVEX GRATE

FUNCTION: Used at specific angles of junction of roof and parapet with connection to outside conductor. Convex grate allows ample drainage area if sides become clogged with debris. Clamping arrangement insures watertight assembly.



OUTLET VARIATIONS (Specify type of outlet and pipe size in inches.)

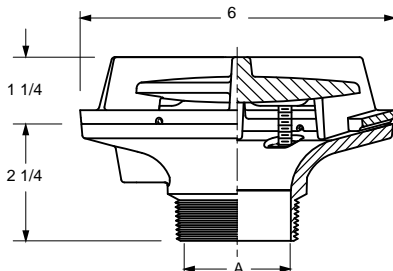
Outlet Type	Outlet Designation Outlet Type/Pipe Size	ADD
Threaded.....	T02, T03, T04.....	N/C
	T05, T06.....	N/C

A OUTLET SIZE	B	FLANGE SIZE	FREE AREA SQ IN	†GALV. STL RB TOP	GALV w/ PB TOP	GALV w/ NB TOP	APPROX. WEIGHT LBS
02"	1 3/4"	12" Wd	111	2,285.00	2,612.00	2,750.00	52
03"	2 1/4"	12" Wd	111	2,285.00	2,612.00	2,750.00	52
04"	2 3/4"	12" Wd	111	2,285.00	2,612.00	2,750.00	52
05"	3 1/4"	12" Wd	111	2,285.00	2,612.00	2,750.00	52
06"	4"	12" Wd	111	2,285.00	2,612.00	2,750.00	52

REGULARLY FURNISHED: Cold Galvanized Steel Body with Rough Bronze Grate and Flashing Clamp.

FIG. 1605 6" DIAMETER LOW PROFILE SIPHONIC GUTTER DRAIN

FUNCTION: For use in engineered siphonic roof drainage systems for gutters, parapets, small balconies, sills, cornices, marquees and other small overhanging areas where drainage of rainwater is required. Air baffle creates siphonic drainage action producing more efficient drainage than traditional gutter drains.



OUTLET VARIATIONS (Specify type of outlet and pipe size in inches.)

Outlet Type	Outlet Designation Outlet Type/Pipe Size	ADD
Male Threaded	T02	POA
No-Hub	Y02	POA

OPTIONS:	ADD
-G Galvanized CI	POA
-U Vandal Proof	POA

A OUTLET SIZE	FLANGE DIA.	FREE AREA SQ IN	†DUCO CI	APPROX. WEIGHT LBS
02"	6"	5.42	POA	16

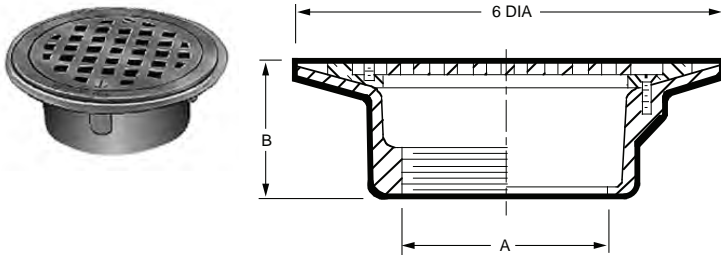
REGULARLY FURNISHED: Duco Cast Iron Body with Combination Flashing Clamp and Air Baffle.

ROOF DRAINS



FIG. 1610 FLAT STRAINER - BOTTOM OUTLET GUTTER DRAIN

FUNCTION: Used in gutters where a drain is required for connecting to the downspout leader. Flashing arrangement design permits removal of dome or flat strainer without disturbing flashing clamp and gutter liner. Does not obstruct traffic.



A OUTLET SIZE	B BODY HT.	FLANGE DIA	FREE AREA SQ IN	†DUCO CI RB TOP	ALL ROUGH BRZ (-BB)	APPROX. WEIGHT LBS
02, 03"	2"	6"	7	290.00	421.00	4
03"	*4"	6"	7	480.00	649.00	5
04"	*4"	6"	7	675.00	1,201.00	6

REGULARLY FURNISHED: Duco Cast Iron Body with Bronze Flashing Clamp and Bronze Top Secured with Brass Screws.

OUTLET VARIATIONS (Specify type of outlet and pipe size in inches.)

Outlet Type	Outlet Designation	Outlet Type/Pipe Size	ADD
Inside Caulk	C02		68.00
Threaded	T02, T03		N/C
Threaded	T04 (Available in 4" Deep Body Only)		N/C

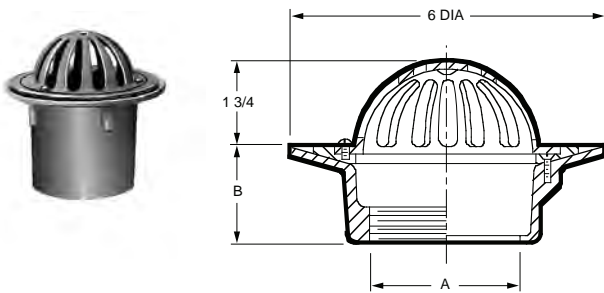
OPTIONS:		ADD
-CP	Chrome Plated Grate	138.00
-G	Galvanized Cast Iron	136.00
-NB	Nickel Bronze Grate	143.00
-PB	Polished Bronze Grate	67.00
-SSM	SS Mesh on Grate	71.00
-U	Vandal Proof Grate	81.00
-WD02	2" High Water Dam on Collar	227.00

*For 4" deep body, specify B4 option when ordering.

ROOF DRAINS

FIG. 1620 LOW DOME - BOTTOM OUTLET GUTTER DRAIN

FUNCTION: Used in gutters where a drain is required for connecting to the downspout leader. Flashing arrangement design permits removal of dome or flat strainer without disturbing flashing clamp and gutter liner. Intercepts debris and allows adequate drainage in gutters and valleys.



A OUTLET SIZE	B BODY HT.	FLANGE DIA	FREE AREA SQ IN	†DUCO CI RB TOP	ALL ROUGH BRZ (-BB)	APPROX. WEIGHT LBS
02, 03"	2"	6"	8	290.00	421.00	4
02, 03"	*4"	6"	8	480.00	649.00	5
04"	*4"	6"	8	675.00	1,201.00	6

REGULARLY FURNISHED: Duco Cast Iron Body with Bronze Flashing Clamp and Bronze Top Secured with Brass Screws.

OUTLET VARIATIONS (Specify type of outlet and pipe size in inches.)

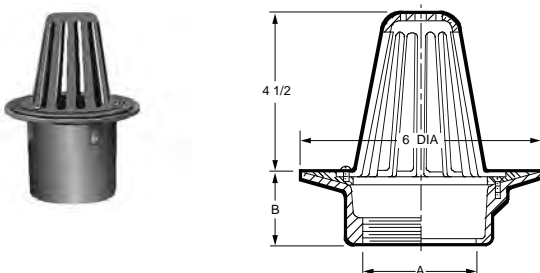
Outlet Type	Outlet Designation	Outlet Type/Pipe Size	ADD
Inside Caulk	C02		68.00
Threaded	T02, T03		N/C
Threaded	T04 (Available in 4" Deep Body Only)		N/C

OPTIONS:		ADD
-CP	Chrome Plated Dome	138.00
-G	Galvanized Cast Iron	136.00
-NB	Nickel Bronze Dome	145.00
-PB	Polished Bronze Dome	67.00
-SSM	SS Mesh on Dome	143.00
-U	Vandal Proof Dome	81.00
-WD02	2" High Water Dam on Collar	227.00

*For 4" deep body, specify B4 option when ordering.

FIG. 1630 HIGH DOME - BOTTOM OUTLET GUTTER DRAIN

FUNCTION: Used in gutters where a drain is required for connecting to the downspout leader. Flashing arrangement design permits removal of dome or flat strainer without disturbing flashing clamp and gutter liner. Used where an abnormal amount of debris is anticipated.



A OUTLET SIZE	B BODY HT.	FLANGE DIA	FREE AREA SQ IN	†DUCO CI RB TOP	ALL ROUGH BRZ (-BB)	APPROX. WEIGHT LBS
02, 03"	2"	6"	24.5	330.00	498.00	5
02, 03"	*4"	6"	24.5	520.00	735.00	6
04"	*4"	6"	24.5	715.00	1,259.00	6

REGULARLY FURNISHED: Duco Cast Iron Body with Bronze Flashing Clamp and Bronze Top Secured with Brass Screws.

OUTLET VARIATIONS (Specify type of outlet and pipe size in inches.)

Outlet Type	Outlet Designation	Outlet Type/Pipe Size	ADD
Inside Caulk	C02		68.00
Threaded	T02, T03		N/C
Threaded	T04 (Available in 4" Deep Body Only)		N/C

OPTIONS:		ADD
-CP	Chrome Plated Dome	209.00
-G	Galvanized Cast Iron	136.00
-NB	Nickel Bronze Dome	145.00
-PB	Polished Bronze Dome	67.00
-SSM	SS Mesh on Dome	261.00
-U	Vandal Proof Dome	81.00
-WD02	2" High Water Dam on Collar	227.00

*For 4" deep body, specify B4 option when ordering.

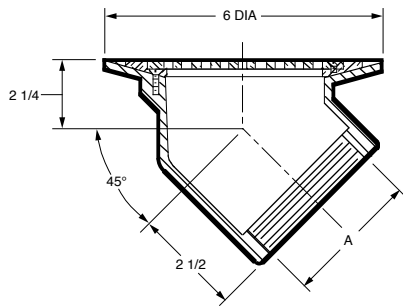


ROOF DRAINS

FIG. 1640 FLAT STRAINER - 45° OUTLET GUTTER DRAIN



FUNCTION: Used in gutters where a drain is required for connecting to the downspout leader. Flashing arrangement design permits removal of dome or flat strainer without disturbing flashing clamp and gutter liner. Does not obstruct traffic.



A OUTLET SIZE	FLANGE DIA	FREE AREA SQ IN	†DUCO CI RB TOP	ALL ROUGH BRZ (-BB)	APPROX. WEIGHT LBS
02"	6"	7	468.00	528.00	7
03"	6"	7	468.00	791.00	10
04"	6"	7	468.00	791.00	10

REGULARLY FURNISHED: Duco Cast Iron Body with Bronze Flashing Clamp and Bronze Top Secured with Brass Screws.

OUTLET VARIATIONS (Specify type of outlet and pipe size in inches.)

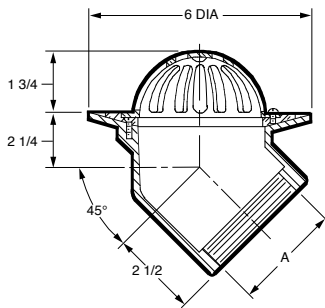
Outlet Type	Outlet Designation Outlet Type/Pipe Size	ADD
Threaded.....	T02, T03, T04.....	N/C

OPTIONS:

Option	Description	ADD
-CP	Chrome Plated Grate	138.00
-G	Galvanized Cast Iron	136.00
-NB	Nickel Bronze Grate	54.00
-PB	Polished Bronze Grate	48.00
-SSM	SS Mesh on Grate	71.00
-U	Vandal Proof Grate.....	81.00
-WD02	2" High Water Dam on Collar.....	227.00

FIG. 1650 LOW DOME - 45° OUTLET GUTTER DRAIN

FUNCTION: Used in gutters where a drain is required for connecting to the downspout leader. Flashing arrangement design permits removal of dome or flat strainer without disturbing flashing clamp and gutter liner. Intercepts debris and allows adequate drainage in gutters and valleys.



A OUTLET SIZE	FLANGE DIA	FREE AREA SQ IN	†DUCO CI RB TOP	ALL ROUGH BRZ (-BB)	APPROX. WEIGHT LBS
02"	6"	8	322.00	528.00	7
03"	6"	8	487.00	791.00	10
04"	6"	8	487.00	791.00	12

REGULARLY FURNISHED: Duco Cast Iron Body with Bronze Flashing Clamp and Bronze Top Secured with Brass Screws.

OUTLET VARIATIONS (Specify type of outlet and pipe size in inches.)

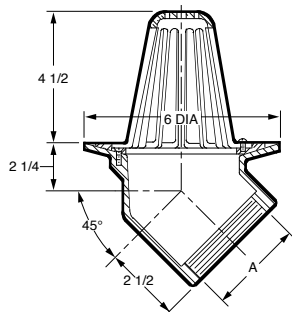
Outlet Type	Outlet Designation Outlet Type/Pipe Size	ADD
Threaded.....	T02, T03, T04.....	N/C

OPTIONS:

Option	Description	ADD
-CP	Chrome Plated Dome	138.00
-G	Galvanized Cast Iron	136.00
-NB	Nickel Bronze Dome.....	67.00
-PB	Polished Bronze Dome.....	59.00
-SSM	SS Mesh on Dome	143.00
-U	Vandal Proof Dome	81.00
-WD02	2" High Water Dam on Collar.....	227.00

FIG. 1660 HIGH DOME - 45° OUTLET GUTTER DRAIN

FUNCTION: Used in gutters where a drain is required for connecting to the downspout leader. Flashing arrangement design permits removal of dome or flat strainer without disturbing flashing clamp and gutter liner. Used where an abnormal amount of debris is anticipated.



A OUTLET SIZE	FLANGE DIA	FREE AREA SQ IN	†DUCO CI RB TOP	ALL ROUGH BRZ (-BB)	APPROX. WEIGHT LBS
02"	6"	24.5	508.00	577.00	7
03"	6"	24.5	541.00	894.00	10
04"	6"	24.5	541.00	894.00	12

REGULARLY FURNISHED: Duco Cast Iron Body with Bronze Flashing Clamp and Bronze Top Secured with Brass Screws.

OUTLET VARIATIONS (Specify type of outlet and pipe size in inches.)

Outlet Type	Outlet Designation Outlet Type/Pipe Size	ADD
Threaded.....	T02, T03, T04.....	N/C

OPTIONS:

Option	Description	ADD
-CP	Chrome Plated Dome	209.00
-G	Galvanized Cast Iron	136.00
-NB	Nickel Bronze Dome.....	54.00
-PB	Polished Bronze Dome.....	48.00
-SSM	SS Mesh on Dome	261.00
-U	Vandal Proof Dome	81.00
-WD02	2" High Water Dam on Collar.....	227.00

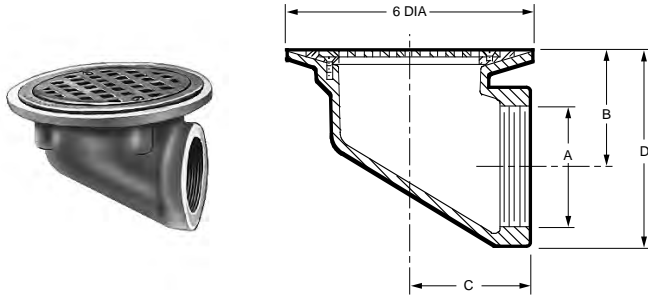


ROOF DRAINS



FIG. 1670 FLAT STRAINER - SIDE OUTLET GUTTER DRAIN

FUNCTION: Used in gutters where a drain is required for connecting to the downspout leader. Flashing arrangement design permits removal of dome or flat strainer without disturbing flashing clamp and gutter liner. Does not obstruct traffic.



A OUTLET SIZE	B	C	D	FLANGE DIA	FREE AREA SQ IN	†DUCO CI RB TOP	ALL ROUGH BRZ (-BB)	APPROX. WEIGHT LBS
02"	2 1/2"	2 1/2"	4"	6"	7	322.00	528.00	7
03"	3"	3"	5"	6"	7	487.00	791.00	10
04"	3 1/2"	4"	6 1/4"	6"	7	487.00	791.00	12

REGULARLY FURNISHED: Duco Cast Iron Body with Bronze Flashing Clamp and Bronze Top Secured with Brass Screws.

OUTLET VARIATIONS (Specify type of outlet and pipe size in inches.)

Outlet Type	Outlet Designation Outlet Type/Pipe Size	ADD
Threaded.....	T02, T03, T04.....	N/C

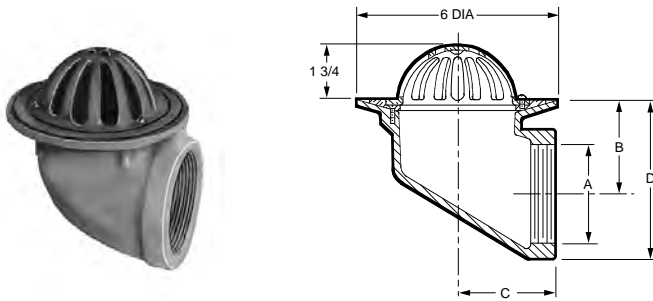
OPTIONS:

		ADD
-CP	Chrome Plated Grate	138.00
-G	Galvanized Cast Iron	136.00
-NB	Nickel Bronze Grate	67.00
-PB	Polished Bronze Grate	59.00
-U	Vandal Proof Grate	81.00
-SSM	SS Mesh on Grate	71.00
-WD02	2" High Water Dam on Collar	227.00

ROOF DRAINS

FIG. 1680 LOW DOME - SIDE OUTLET GUTTER DRAIN

FUNCTION: Used in gutters where a drain is required for connecting to the downspout leader. Flashing arrangement design permits removal of dome or flat strainer without disturbing flashing clamp and gutter liner. Intercepts debris and allows adequate drainage in gutters and valleys.



A OUTLET SIZE	B	C	D	FLANGE DIA	FREE AREA SQ IN	†DUCO CI RB TOP	ALL ROUGH BRZ (-BB)	APPROX. WEIGHT LBS
02"	2 1/2"	2 1/2"	4"	6"	8	322.00	528.00	7
03"	3"	3"	5"	6"	8	487.00	791.00	10
04"	3 1/2"	4"	6 1/4"	6"	8	487.00	791.00	12

REGULARLY FURNISHED:

Duco Cast Iron Body with Bronze Flashing Clamp and Bronze Top Secured with Brass Screws.

OUTLET VARIATIONS (Specify type of outlet and pipe size in inches.)

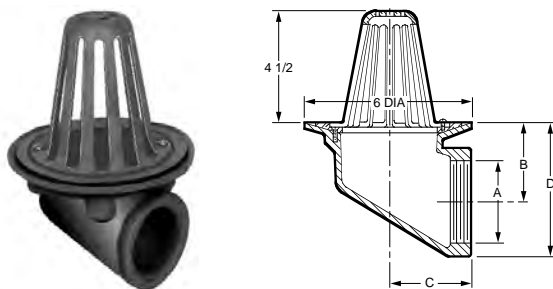
Outlet Type	Outlet Designation Outlet Type/Pipe Size	ADD
Threaded.....	T02, T03, T04.....	N/C

OPTIONS:

		ADD
-CP	Chrome Plated Dome	138.00
-G	Galvanized Cast Iron	136.00
-NB	Nickel Bronze Grate	54.00
-PB	Polished Bronze Grate	48.00
-SSM	SS Mesh on Dome	143.00
-U	Vandal Proof Grate	81.00
-WD02	2" High Water Dam on Collar	227.00

FIG. 1690 HIGH DOME - SIDE OUTLET GUTTER DRAIN

FUNCTION: Used in gutters where a drain is required for connecting to the downspout leader. Flashing arrangement design permits removal of dome or flat strainer without disturbing flashing clamp and gutter liner. Used where an abnormal amount of debris is anticipated.



A OUTLET SIZE	B	C	D	FLANGE DIA	FREE AREA SQ IN	†DUCO CI RB TOP	ALL ROUGH BRZ (-BB)	APPROX. WEIGHT LBS
02"	2 1/2"	2 1/2"	4"	6"	24.5	371.00	577.00	7
03"	3"	3"	5"	6"	24.5	535.00	894.00	10
04"	3 1/2"	4"	6 1/4"	6"	24.5	535.00	894.00	10

REGULARLY FURNISHED: Duco Cast Iron Body with Bronze Flashing Clamp and Bronze Top Secured with Brass Screws.

OUTLET VARIATIONS (Specify type of outlet and pipe size in inches.)

Outlet Type	Outlet Designation Outlet Type/Pipe Size	ADD
Threaded.....	T02, T03, T04.....	N/C

OPTIONS:

		ADD
-CP	Chrome Plated Dome	209.00
-G	Galvanized Cast Iron	136.00
-NB	Nickel Bronze Dome	67.00
-PB	Polished Bronze Dome	59.00
-SSM	SS Mesh on Dome	261.00
-U	Vandal Proof Dome	81.00
-WD02	2" High Water Dam on Collar	227.00

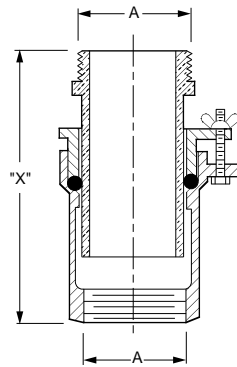


ROOF DRAINS

FIG. 1710 ROOF ACCESSORY - EXPANSION JOINT



FUNCTION: Used with all types of vertical drainage conductors, leaders, stacks, vent or soil lines, where contraction and expansion movements must be compensated for to prevent rupturing of lines and damage to the building construction.



REGULARLY FURNISHED: Duco Cast Iron Body with Adjustable Bronze Expansion Sleeve and Bronze Bolts and Wing Nuts.

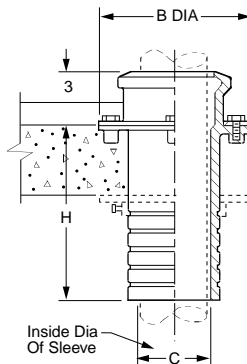
OUTLET VARIATIONS (Specify type of outlet and pipe size in inches.)

Outlet Type	Outlet Designation	Outlet Type/Pipe Size	ADD
Spigot	S02, S03, S04, S05		N/C
	S06, S08		N/C
Threaded	T02, T03, T04, T05		N/C
	T06, T08		N/C
No-Hub	Y02, Y03, Y04, Y05		N/C
	Y06, Y08		N/C

A OUTLET SIZE	"X"		†DUCO CI	GALV CI	APPROX. WEIGHT LBS
	MIN	MAX			
02"	7 5/16"	9 3/4"	587.00	793.00	9
03"	7 11/16"	9 3/4"	627.00	833.00	10
04"	7 11/16"	9 3/4"	712.00	918.00	12
05"	8 3/4"	10 5/16"	1,206.00	1,412.00	18
06"	8 3/8"	10 1/4"	1,206.00	1,412.00	21
08"	8 5/8"	11 1/16"	2,084.00	2,290.00	40

FIG. 1720 ROOF ACCESSORY - STACK OR WALL SLEEVE

FUNCTION: Used as a watertight sleeve for piping which passes through concrete floors and walls. Sleeve has integral cast flashing flange for use in waterproof floors. After riser is passed through sleeve, a waterproof caulked joint is made at the top hub. This prevents any water leakage along the riser from one floor to another.



H= -5, -10 or -14"
(Specify Height)

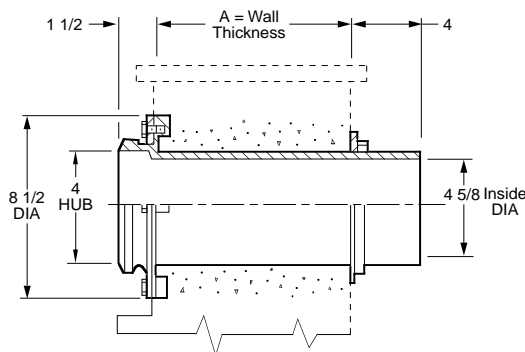
REGULARLY FURNISHED: Duco Cast Iron Body with Flashing Clamp.

OPTIONS:	ADD
-C Underdeck Clamp	
050 thru 06"	107.00
08 thru 12"	204.00
-G Galvanized Cast Iron	289.00

PIPE SIZE	B DIA	C INSIDE DIA	†DUCO CI 5" HEIGHT	DUCO CI 10" HEIGHT	DUCO CI 14" HEIGHT	APPROX. WEIGHT LBS
050,075,01"	5	1 1/2	197.00	429.00	564.00	10
0125,0150,02"	6 3/4	2 3/4	197.00	429.00	564.00	10
0250,03"	7 1/2	3 3/4	322.00	581.00	1,038.00	12
04"	8 1/2	4 3/4	322.00	581.00	1,038.00	16
05"	9 1/2	5 3/4	590.00	998.00	2,666.00	24
06"	10 1/2	6 3/4	590.00	998.00	2,666.00	24
08"	13 1/2	9	688.00	1,349.00	3,202.00	29
10"	15 1/2	11 1/4	717.00	1,901.00	3,951.00	31
12"	19	13 1/4	1,147.00	2,462.00	4,148.00	40

FIG. 1730 ROOF ACCESSORY - PARAPET SLEEVE

FUNCTION: Serves as scupper drain allowing drainage through parapet wall. Sleeve may be flashed at parapet wall and is held firmly in place by the adjustable wall flange.



REGULARLY FURNISHED: Duco Cast Iron Body with Flashing Clamp and Adjustable Wall Flange.

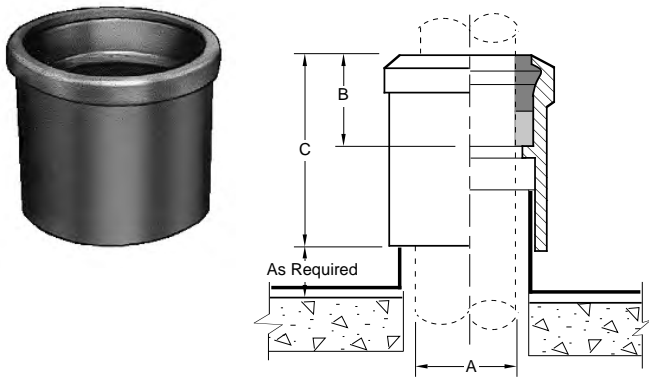
A WALL THICKNESS	HUB SIZE	†DUCO CI	GALV CI (-G)	APPROX. WEIGHT LBS
8 1/2" (0850)	04"	718.00	1,200.00	20
9 1/2" (0950)	04"	837.00	1,319.00	26
13 1/2" (1350)	04"	980.00	1,462.00	32
17 1/2" (1750)	04"	1,048.00	1,530.00	38
22 1/2" (2250)	04"	1,074.00	1,556.00	45



ROOF DRAINS

FIG. 1740 ROOF ACCESSORY - CAULKING TYPE ROOF COUPLING

FUNCTION: Used as a counterflashing sleeve where roofing membranes are terminated at the stack, which protrudes through the roof. Caulk joint is made between upper hub of sleeve and stack, effectively waterproofing the entire assembly.

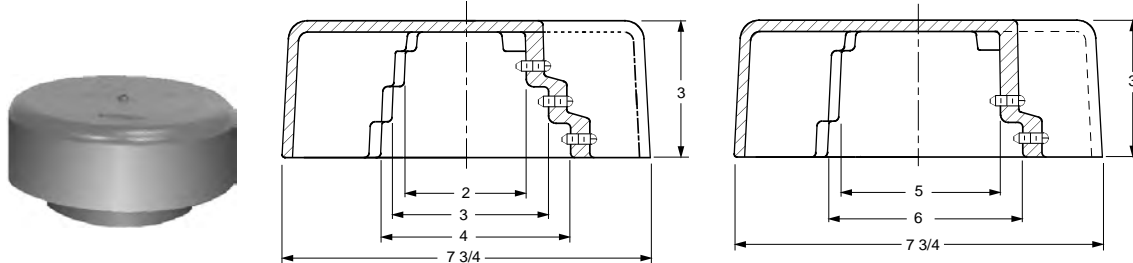


A SIZE	B	C	†DUCO CI	GALV CI (-G)	APPROX. WEIGHT LBS
02"	1 3/4"	3 1/2"	68.00	234.00	2
03"	1 3/4"	3 3/4"	119.00	285.00	4
04"	1 3/4"	3 3/4"	133.00	299.00	5
06"	1 3/4"	3 3/4"	340.00	506.00	7

REGULARLY FURNISHED: Duco Cast Iron.

FIG. 1748 ROOF ACCESSORY - VENT CAP

FUNCTION: Recommended for all plumbing vents which terminate above the roof level. Unique vandal proof design eliminates the possibility of sticks or other materials being either carelessly or maliciously placed in the vent openings, thus causing stoppage of the drainage system.



Pipe Size = 0150, 02, 03 & 04

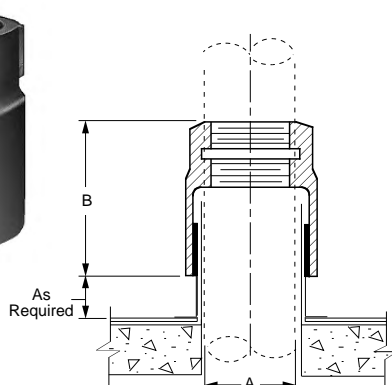
Pipe Size = 05 & 06

REGULARLY FURNISHED: Duco Cast Iron
Dome Secured with Recessed Allen Socket Set Screws.

PIPE SIZE	†DUCO CI	GALV CI (-G)	APPROX. WEIGHT LBS
0150, 02"	534.00	685.00	15
03"	534.00	685.00	15
04"	534.00	685.00	15
05"	678.00	829.00	22
06"	678.00	829.00	22

FIG. 1750 ROOF ACCESSORY - THREADED TYPE ROOF COUPLING

FUNCTION: Used as a counterflashing sleeve where the roofing membranes are terminated at the stack which passes through the roof. Sleeve is threaded so that stack may be extended to the desired height.



A SIZE	B	†DUCO CI	GALV CI (-G)	APPROX. WEIGHT LBS
0125"	5"	267.00	556.00	5
0150"	4"	POA	POA	5
02"	4"	267.00	720.00	5
0250"	4 3/4"	POA	POA	7
03"	4 1/2"	431.00	720.00	7
04"	4 1/2"	431.00	720.00	8
05"	5 1/2"	786.00	1,075.00	11
06"	5 1/2"	786.00	1,075.00	11
08"	6 1/2"	980.00	1,209.00	20
10"	6 1/2"	1,266.00	1,550.00	38

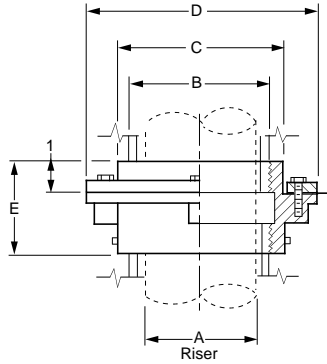
REGULARLY FURNISHED: Duco Cast Iron.



ROOF DRAINS

FIG. 1760 ROOF ACCESSORY - RISER SLEEVE ADAPTOR

FUNCTION: Used as an adaptor type riser sleeve. Length of sleeve may be extended by inserting pipe nipples in either end of sleeve. Integral flashing flange is provided for use in waterproofed floors.

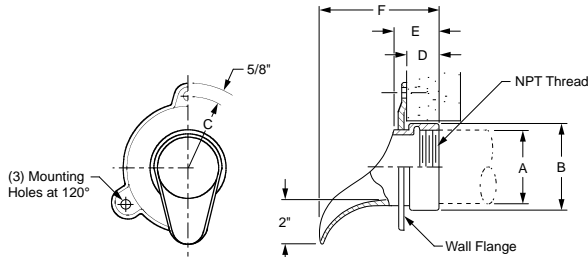


A RISER	B SIZE	C DIA	D DIA	E	†DUCO CI	GALV CI (-G)	APPROX. WEIGHT LBS
0150"	2 1/2"	4"	6 1/2"	3"	433.00	722.00	12
02"	3"	4"	6 1/2"	3"	479.00	768.00	14
0250, 03"	4"	5"	7 1/4"	3"	479.00	768.00	16
04"	5"	6 1/2"	9 1/4"	3 1/2"	666.00	955.00	18
05"	6"	7 1/2"	10 1/4"	3 3/4"	962.00	1,251.00	21
06"	8"	10"	13 1/4"	4"	962.00	1,251.00	31

REGULARLY FURNISHED: Duco Cast Iron Body with Flashing Clamp.

FIG. 1770 ROOF ACCESSORY - DOWNSPOUT NOZZLE

FUNCTION: Used as a parapet overflow or at the base of a wall where a concealed leader discharges rainwater to ground. Nozzle design diverts water away from building, eliminating wall stains. Wall flange covers rough opening and serves as anchor.



Outlet Type	Outlet Designation	Outlet Type/Pipe Size	ADD
Threaded			N/C
No-Hub	Y02, Y03, Y04 and Y06		N/C
No-Hub	Y05, Y08, Y10 and Y12		See Fig. 2646Y

OPTIONS:	ADD
-BS Bird Screen	283.00

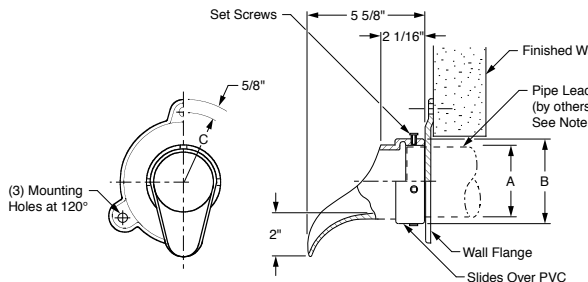
Fig. 1770

A SIZE	B SIZE	C RAD	D	E	F	†ROUGH BRONZE	NB	PB	CP	APPROX. WEIGHT LBS
02"	2 3/4"	2 3/4"	1 3/8"	2 1/16"	5 5/8"	483.00	483.00	483.00	593.00	9
03"	4"	3 1/2"	1 3/8"	2 1/16"	5 5/8"	483.00	483.00	483.00	593.00	9
04"	5"	3 7/8"	1 3/8"	2 1/16"	5 5/8"	483.00	483.00	483.00	593.00	9
05"	6"	4 3/8"	1 3/8"	2 1/16"	5 5/8"	934.00	934.00	934.00	1,064.00	16
06"(Thrd)	7 1/4"	5"	1 3/8"	2 1/16"	5 5/8"	934.00	934.00	934.00	1,064.00	16
06"(No-Hub)	7 1/4"	5"	1 3/16"	2 1/2"	6 1/4"	934.00	934.00	934.00	1,064.00	16
08"	9 1/4"	5 7/8"	1 5/8"	2 3/8"	5 15/16"	1,019.00	1,019.00	1,019.00	1,559.00	23
10"	11 1/8"	7 1/4"	1 3/4"	2 3/4"	5 3/8"	1,499.00	1,499.00	1,499.00	2,023.00	28
12"	13 1/4"	8"	2"	2 15/16"	7 9/16"	1,976.00	1,976.00	1,976.00	2,505.00	33

REGULARLY FURNISHED: Cast Bronze Nozzle and Flange.

FIG. 1771 ROOF ACCESSORY - DOWNSPOUT NOZZLE

FUNCTION: Used as a parapet overflow or at the base of a wall where a concealed leader discharges rainwater to ground. Nozzle design diverts water away from building, eliminating wall stains. Wall flange covers rough opening and serves as anchor.



OPTIONS:	ADD
-BS Bird Screen	283.00

NOTE: Pipe (Leader) must extend past the face of the finished wall in order to install the wall flange and attach the downspout nozzle. Dimension shall be field determined by installer.

A PIPE SIZE	B SIZE	C RAD	†ROUGH BRONZE	NB	PB	APPROX. WEIGHT LBS
02"	2 3/4"	2 3/4"	483.00	483.00	483.00	9
03"	4"	3 1/2"	483.00	483.00	483.00	9
04"	5"	3 7/8"	483.00	483.00	483.00	9
05"	6"	4 3/8"	934.00	934.00	934.00	16
06"	7 1/4"	5"	934.00	934.00	934.00	16
08"	9 1/4"	5 7/8"	1,019.00	1,019.00	1,019.00	23
10"	11 1/8"	7 1/4"	1,499.00	1,499.00	1,499.00	28
12"	13 1/4"	8"	1,976.00	1,976.00	1,976.00	33

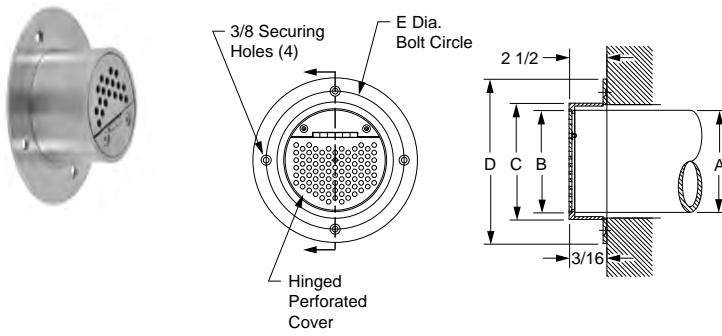
REGULARLY FURNISHED: Cast Bronze Nozzle and Flange, Machined Nozzle Slides Over PVC and Cast Iron Pipe.



ROOF DRAINS

FIG. 1775 SPECIAL PURPOSE DOWNSPOUT COVER W/HINGED PERFORATED COVER

FUNCTION: Used as a downspout cover on a wall where an overflow roof drain concealed leader discharges rainwater to the ground.



OPTIONS:

-U	Vandal Proof	ADD 84.00
-H5	5" Long Downspout Frame	N/C

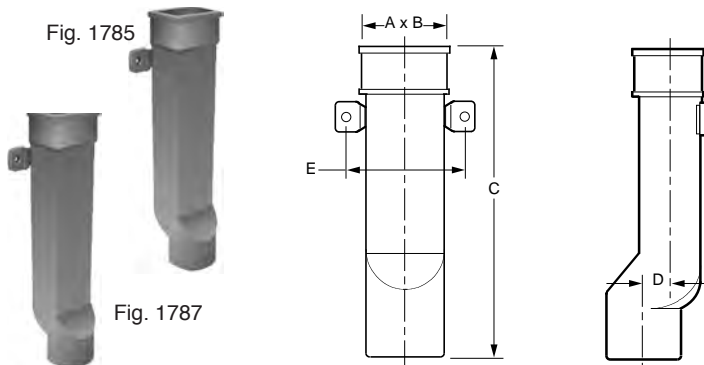
Fig. 1775

A PIPE SIZE	B DIA	C DIA	D DIA	E DIA	†SS	CP	PB
0150	3 1/2"	4 1/2"	7 11/16"	6"	1,736.00	1,736.00	1,949.00
02	3 1/2"	4 1/2"	7 11/16"	6"	1,736.00	1,736.00	1,949.00
03	3 1/2"	4 1/2"	7 11/16"	6"	1,736.00	2,109.00	1,949.00
04	4 9/16"	5 9/16"	8 3/4"	7 1/8"	1,736.00	2,109.00	1,949.00
05	5 5/8"	6 5/8"	9 13/16"	8 1/4"	1,833.00	2,206.00	2,057.00
06	6 11/16"	7 11/16"	10 7/8"	9"	1,833.00	2,206.00	2,057.00
08	8 11/16"	9 11/16"	12 7/8"	11 1/4"	1,922.00	2,295.00	2,157.00
10	10 13/16"	11 13/16"	15"	13 1/2"	2,034.00	2,407.00	2,282.00
12	12 13/16"	13 13/16"	17"	15 1/2"	2,156.00	2,529.00	2,421.00
15	16"	16 15/16"	20 1/8"	18 1/2"	2,279.00	2,652.00	2,558.00

REGULARLY FURNISHED: Fabricated Type 304 Stainless Steel Downspout Cover with Hinged Perforated Cover.

FIG. 1785, 1786, 1787 ROOF ACCESSORY - DOWNSPOUT BOOTS

FUNCTION: Used as a transition piece for connecting sheet metal exposed downspout to underground cast iron soil piping. Sturdy cast iron construction provides the necessary protection of the lower part of the exposed downspout from damage.



OPTIONS:

-G	Galvanized Cast Iron 1785	ADD 482.00
-G	Galvanized Cast Iron 1786, 1787	482.00

FIG. NO.	A X B SIZE	C LENGTH	D	E	CAST IRON	APPROX. WEIGHT LBS
1785-12	04 X 03" RECT.	12"	1 1/2"	6 5/8"	510.00	16
*1785-12CA	04 X 03" RECT.	12"	1 1/2"	6 5/8"	1,023.00	16
1785-18	04 X 03" RECT.	18"	1 1/2"	6 5/8"	669.00	22
*1785-18CA	04 X 03" RECT.	18"	1 1/2"	6 5/8"	1,182.00	22
1785-24	04 X 03" RECT.	24"	1 1/2"	6 5/8"	1,195.00	28
*1785-24CA	04 X 03" RECT.	24"	1 1/2"	6 5/8"	1,708.00	28
1786-24	05 X 04" RECT.	24"	1"	7 5/8"	1,120.00	37
*1786-24CA	05 X 04" RECT.	24"	1"	7 5/8"	1,633.00	37
1787-18	04" ROUND	18"	1"	6 1/8"	1,120.00	26
*1787-18CA	04" ROUND	18"	1"	6 1/8"	1,633.00	26

*With cleanout access.

REGULARLY FURNISHED: Cast Iron Body and Strap with 5/16" Dia. Cast Holes for Flat Head Bolts, Typical. All Shapes Unpainted.



ROOF DRAINS

ROOF DRAINS

FIG. 1800 ROOF DRAIN AND OVERFLOW DRAIN WITH DECK TOP MOUNTING PLATE

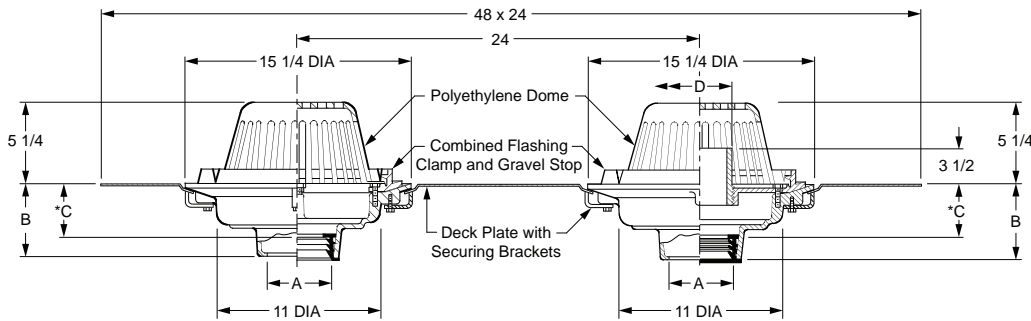


FUNCTION: Used on flat roofs of any construction (other than poured in place) where an emergency overflow drain can be used in combination with a standard roof drain. Large sump drain bodies with low profile domes provide sufficient free area for quick drainage of rainwater while protecting the drain sump and connected piping from the intrusion of debris. Internal standpipe type overflow drain receives water only when the build-up is greater than the setting of the standpipe. Water dam standpipe can be cut to achieve various water depths on the roof. Attached wide dual drain deck plate with securing holes enables both drains to be secured to the roof deck from the top surface of the roof reducing installation time, reducing the number of roof penetrations and eliminating the need for an underdeck clamp. The wide dual deck plate also recesses the drains slightly to prevent water build-up at the base of the drains.



OUTLET VARIATIONS (Specify type of outlet and pipe size in inches.)

Outlet Type	Outlet Designation	Outlet Type/Pipe Size	"B" Body HT. DIM.	ADD
Inside Caulk	C02, C03, C04, C05, C06		5"	68.00
Speedi-Set SW	L02, L03, L04		5"	32.00
Speedi-Set XH	LXH02, LXH03, LXH04		5"	32.00
Threaded	T02, T03, T04, T05, T06		3 3/4"	68.00
No-Hub	Y02, Y03, Y04, Y05, Y06		5"	N/C



*Note: This dimension to internal stop of Speedi-Set gasket

A OUTLET SIZE	*C DIA.	D STANDPIPE SIZE	FREE AREA SQ. IN.	†DUCO CI POLY DOME
02, 03, 04"	3 3/4"	4"	102.5	776.00
05, 06"	3 3/4"	6"	102.5	993.00

REGULARLY FURNISHED: Duco cast iron bodies with combined flashing clamp and gravel stop for roof drain and combined flashing clamp for gravel stop with 3 1/2" high internal water dam standpipe for overflow drain. Deck plate with securing holes provided to receive both drains. Both drains provided with polyethylene domes.

OPTIONS:

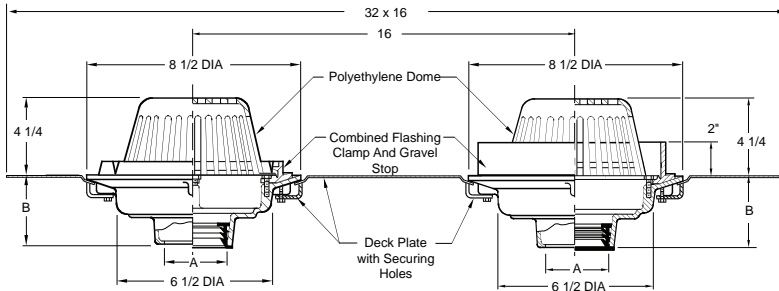
OPTION	DESCRIPTION	ADD
-AD	Aluminum Dome	109.00
-AE	Adjustable Extension	125.00
-C2	Secondary Flashing Clamp	103.00
-CID	Cast Iron Domes	109.00
-CIDG	Cast Iron Domes with Galvanizing	212.00
-CID8	8" High Cast Iron Dome	558.00
-E	Extension up to 4"	253.00
	per inch over 4"	191.00
-G	Galvanized Cast Iron Body	410.00
-PDSSM	SS Mesh on Poly Dome	468.00
-RBD	Rough Bronze Dome	1,690.00
-RBDSSM	Rough Bronze Dome w/SS Mesh	2,158.00
-U	Vandal Proof Dome	86.00

ROOF DRAINS



FIG. 1830 ROOF DRAIN AND OVERFLOW DRAIN W/DECK TOP MOUNTING PLATE

FUNCTION: Used on flat roofs of any construction other than poured in place where an emergency overflow drain can be used in combination with a primary roof drain. The small diameter drain bodies with low profile domes provide sufficient free area for quick drainage of rainwater while protecting the drain sump and connecting pipe from the intrusion of debris. The external water dam collar on the overflow drain receives water only when the build-up is greater than the collar. The attached dual drain roof deck plate with securing holes enables both drains to be secured to the roof deck from the top of roof reducing the installation time, the number of penetrations and eliminating the need for an underdeck clamp.



A OUTLET SIZE	FLANGE DIA.	FREE AREA SQ IN	†DUCO CI CI DOME	APPROX. WEIGHT LBS
02, 03, 04"	8 1/2"	41.5	885.00	30

REGULARLY FURNISHED: Duco Cast Iron Body, Double Deck Plate with Securing Holes, Combined Flashing Clamp and Gravel Stop for Roof Drain and External Water Dam for Overflow Drain, both with Polyethylene Dome.

OUTLET VARIATIONS (Specify type of outlet and pipe size in inches.)

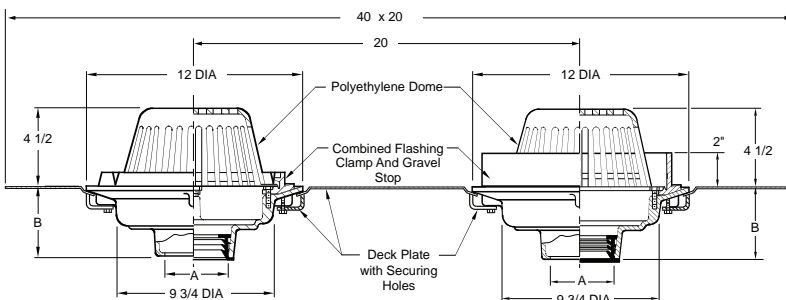
Outlet Type	Outlet Designation	Outlet Type/Pipe Size	"B" Body HT. DIM.	ADD
Inside Caulk	C02, C03, C04		5 1/2"	115.00
Speedi-Set SW	L02, L03, L04		5 1/2"	32.00
Speedi-Set XH	LXH02, LXH03, LXH04		5 1/2"	32.00
Threaded	T02, T03, T04		4 1/4"	115.00
No-Hub	Y02, Y03, Y04		5 1/2"	N/C

OPTIONS:	ADD
-AD Aluminum Dome	357.00
-C2 Secondary Flashing Clamp	103.00
-CIDG Cast Iron Domes w/Galvanizing	410.00
-E Ext, to 4" Per Inch, CI	253.00
-E04P 4" Perf SS Extension	88.00
-G Galvanized CI	410.00
-RBD Rough Bronze Dome	480.00
-SSM SS Mesh on Metal Dome	468.00
-U Vandal Proof Dome	86.00

ROOF DRAINS

FIG. 1850 ROOF DRAIN AND OVERFLOW DRAIN WITH DECK TOP MOUNTING PLATE

FUNCTION: Used on flat roofs of any construction other than poured in place where an emergency overflow drain can be used in combination with a primary roof drain. The medium diameter drain bodies with low profile domes provide sufficient free area for quick drainage of rainwater while protecting the drain sump and connecting pipe from the intrusion of debris. The external water dam collar on the overflow drain receives water only when the build-up is greater than the collar. The attached dual drain roof deck plate with securing holes enables both drains to be secured to the roof deck from the top of roof reducing the installation time, the number of penetrations and eliminating the need for an underdeck clamp.



A OUTLET SIZE	FLANGE DIA.	FREE AREA SQ IN	†DUCO CI CI DOME	APPROX. WEIGHT LBS
02, 03, 04"	12"	71.5	932.00	27
05, 06"	12"	71.5	1,468.00	27

REGULARLY FURNISHED: Duco Cast Iron Body, Double Deck Plate with Securing Holes, Combined Flashing Clamp and Gravel Stop for Roof Drain and External Water Dam for Overflow Drain, both with Polyethylene Dome.

OUTLET VARIATIONS (Specify type of outlet and pipe size in inches.)

Outlet Type	Outlet Designation	Outlet Type/Pipe Size	"B" Body HT. DIM.	ADD
Inside Caulk	C02, C03, C04, C05, C06		6"	N/C
Speedi-Set SW	L02, L03, L04		6"	N/C
Speedi-Set XH	LXH02, LXH03, LXH04		6"	N/C
Threaded	T02, T03, T04, T05, T06		4 3/4"	112.00
No-Hub	Y02, Y03, Y04, Y05, Y06		6"	N/C

OPTIONS:	ADD
-AD Aluminum Dome	376.00
-C2 Sec. Flash. Clamp	103.00
-CIDG Cast Iron Domes w/Galvanizing	440.00
-E Ext, to 4" Per Inch, CI	253.00
-E04P 4" Perf SS Extension	88.00
-G Galvanized CI	410.00
-RBD Rough Bronze Dome	506.00
-SSM SS Mesh on Metal Dome	468.00
-U Vandal Proof Dome	86.00



GREEN ROOF DRAINS

FIG. 1900 15 1/4" DIAMETER - AREA DRAIN WITH PERFORATED STANDPIPE



	Outlet Size	†Duco CI
	02, 03, 04	POA
	05, 06	POA
	08	POA
C	Caulk Outlet.....	POA
Y	No-Hub Outlet.....	POA
T	Threaded Outlet.....	POA

ADD FOR:

-C	Underdeck Clamp.....	POA
-R	Sump Receiver.....	POA
	Gravel Guard & Standpipe Per 1".....	POA

FIG. 1901 15 1/4" DIAMETER - PLANTER DRAIN AND OVERFLOW STANDPIPE



	Outlet Size	†Duco CI
	02, 03, 04	POA
	05, 06	POA
	08	POA
C	Caulk Outlet.....	POA
Y	No-Hub Outlet.....	POA
T	Threaded Outlet.....	POA

ADD FOR:

-AE	Adjustable Extension.....	POA
-BZS	Bronze Standpipe.....	POA
-C	Underdeck Clamp.....	POA
-CIS	Cast Iron Standpipe.....	POA
-R	Sump Receiver.....	POA
-U	Vandal Proof Screws.....	POA
	Gravel Guard & Standpipe Per 1".....	POA

FIG. 1902 LOW PROFILE PERFORATED DOME WITH REMOVABLE LID



	Outlet Size	†Duco CI
	02, 03, 04	POA
C	Caulk Outlet.....	POA
Y	No-Hub Outlet.....	POA
T	Threaded Outlet.....	POA

ADD FOR:

-C	Underdeck Clamp.....	POA
	Per 1" over E05.....	POA
-G	Galvanized Cast Iron Body & Collar.....	POA
-R	Sump Receiver.....	POA
-U	Vandal Proof.....	POA

FIG. 1905 MULTI-LEVEL PLANTER DRAIN AND PERFORATED STANDPIPE



	Outlet Size	†Duco CI
	02, 03, 04	POA
	05, 06	POA
C	Caulk Outlet.....	POA
Y	No-Hub Outlet.....	POA

ADD FOR:

-C	Underdeck Clamp.....	POA
-R	Sump Receiver.....	POA

FIG. 1906 PLANTING AREA DRAIN



	Outlet Size	†Duco CI
	02, 03, 04	POA
C	Caulk Outlet.....	POA
Y	No-Hub Outlet.....	POA

ADD FOR:

-C	Underdeck Clamp.....	POA
-G	Galvanized Cast Iron Body & Collar.....	POA
-R	Sump Receiver.....	POA



GREEN ROOF DRAINS

FIG. 1909 PLANTER AREA DRAIN FOR MULTI-LEVELS



	Outlet Size	†Duco CI	
	02, 03, 04	POA	
	05, 06	POA	
C	Caulk Outlet		POA
Y	No-Hub Outlet.....		POA

ADD FOR:

-C	Underdeck Clamp	POA
-R	Sump Receiver	POA

FIG. 1910 ROOF DRAIN WITH STANDPIPE-LARGE AREA PLANTER TYPE



	Outlet Size	†Duco CI	
	02, 03, 04	POA	
	05, 06	POA	
C	Caulk Outlet		POA
Y	No-Hub Outlet.....		POA

ADD FOR:

-C	Underdeck Clamp	POA
-R	Sump Receiver	POA

ROOF DRAINS

FIG. 1913 PLANTER DRAIN



	Outlet Size	†Duco CI	
	02, 03, 04	POA	
	05, 06	POA	
C	Caulk Outlet.....		POA
Y	No-Hub Outlet		POA
T	Threaded Outlet.....		POA

ADD FOR:

-C	Underdeck Clamp	POA
-R	Sump Receiver	POA

Note: Specify bottom and side outlet size when ordering.
ex: 1913C02-02

FIG. 1915 PLAZA AND PLANTER DRAIN FOR NON-PEDESTRIAN TRAFFIC



	Outlet Size	†Duco CI	
	02, 03, 04	POA	
	05, 06	POA	
C	Caulk Outlet		POA
Y	No-Hub Outlet.....		POA
T	Threaded Outlet		POA

ADD FOR:

-C	Underdeck Clamp	POA
-R	Sump Receiver	POA

FIG. 1920 PLAZA AND PLANTER DRAIN FOR PEDESTRIAN TRAFFIC



	Outlet Size	†Duco CI	
	02, 03, 04	POA	
	05, 06	POA	
C	Caulk Outlet		POA
Y	No-Hub Outlet.....		POA

ADD FOR:

-C	Underdeck Clamp	POA
-R	Sump Receiver	POA

GREEN ROOF DRAINS



FIG. 1930 PLANTER AREA DRAIN



	Outlet Size	†Duco CI
	02, 03, 04	POA
	05, 06	POA
C	Caulk Outlet	POA
Y	No-Hub Outlet.....	POA

ADD FOR:

-C	Underdeck Clamp	POA
-R	Sump Receiver	POA

FIG. 1935 20" DIAMETER - PLANTER AREA OVERFLOW DRAIN



	Outlet Size	†Duco CI
	02, 03, 04	POA
	05, 06	POA
C	Caulk Outlet	POA
Y	No-Hub Outlet.....	POA

ADD FOR:

-AD	Aluminum Dome	POA
-AE	Adjustable Extension	POA
-C	Underdeck Clamp	POA
-CID	Cast Iron Dome	POA
-CIS	Cast Iron Standpipe.....	POA
-R	Sump Receiver	POA
-U	Vandal Proof Screws	POA

FIG. 1936 PLANTING AREA DRAIN



	Outlet Size	†Duco CI
	02, 03, 04	POA
C	Caulk Outlet	POA
Y	No-Hub Outlet.....	POA

ADD FOR:

-C	Underdeck Clamp	POA
-R	Sump Receiver	POA
-U	Vandal Proof Screws	POA

FIG. 1937 LOW PROFILE PERFORATED DOME COVER WITH REMOVABLE LID



	Outlet Size	†Duco CI
	02, 03, 04	POA
	05, 06	POA
C	Caulk Outlet	POA
Y	No-Hub Outlet.....	POA

ADD FOR:

-C	Underdeck Clamp	POA
-CID	Cast Iron Dome	POA
	Extension Per 1" over E06	POA
-R	Sump Receiver	POA
-RDP	Roof Deck Plate	POA
-SSM	SS Mesh on Dome	POA
-U	Vandal Proof	POA
-WD2	2" Internal Water Dam Standpipe	POA

FIG. 1940 8 1/2" DIAMETER PLANTER DRAIN WITH LOW PROFILE DOME



	Outlet Size	†Duco CI
	02, 03, 04	POA
C	Caulk Outlet	POA
Y	No-Hub Outlet.....	POA

ADD FOR:

-AD	Aluminum Dome	POA
-C	Underdeck Clamp	POA
-CIDG	Cast Iron Dome w/Galvanizing	POA
-CL	"L" Shaped Underdeck Clamp	POA
-G	Galvanized Cast Iron Body & Collar.....	POA
-R	Sump Receiver	POA
-RBD	Rough Bronze Dome	POA
-U	Vandal Proof Screws	POA

FIG. 1950 8 1/2" DIAMETER SIDE OUTLET PLANTER DRAIN WITH LOW PROFILE DOME



	Outlet Size	†Duco CI
	02, 03, 04	POA
C	Caulk Outlet	POA
Y	No-Hub Outlet.....	POA

ADD FOR:

-AD	Aluminum Dome	POA
-C	Underdeck Clamp	POA
-CIDG	Cast Iron Dome w/Galvanizing	POA
-CL	"L" Shaped Underdeck Clamp	POA
-G	Galvanized Cast Iron Body & Collar.....	POA
-R	Sump Receiver	POA
-RBD	Rough Bronze Dome	POA
-U	Vandal Proof Screws	POA

FLOOR DRAINS



Fig. 2005 (A-Round)



Fig. 2005 (B-Square)



Fig. 2010 (A-Round)



Fig. 2010 (B-Square)



Fig. DX2010 (A-Round)



Fig. DX2010 (B-Square)



Fig. 2015 (A-Round)



Fig. 2016



Fig. 2020 (A-Round)



Fig. 2030 (A-Round)



Fig. 2038

Photo not available

Fig. 2039



Fig. 2040 (A-Round)

Photo not available

Fig. 2050

Photo not available

Fig. 2051



Fig. 2110



Fig. 2115



Fig. 2120



Fig. 2125



Fig. 2130



Fig. 2135



Fig. 2140



Fig. 2142



Fig. 2143



Fig. 2145



Fig. 2147



Fig. 2210



Fig. 2215



Fig. 2220



Fig. 2225



Fig. 2230



Fig. 2233



Fig. 2235



Fig. 2238



Fig. 2240



Fig. 2242



Fig. 2245



Fig. 2247



Fig. 2250



Fig. 2255

FLOOR DRAINS

FLOOR DRAINS



Fig. 2270



Fig. 2275



Fig. 2280



Fig. 2285

Photo not available

Fig. 2295



Fig. 2310



Fig. 2315



Fig. DX2312



Fig. 2320



Fig. 2325



Fig. 2330



Fig. 2335



Fig. 2340



Fig. 2345



Fig. 2350



Fig. 2355



Fig. 2360



Fig. 2365



Fig. 2410



Fig. 2420



Fig. 2450



Fig. 2455



Fig. 2470



Fig. 2475



Fig. 2484



Fig. 2488



Fig. 2490



Fig. 2495



Fig. 2500



Fig. 2505



Fig. 2508



Fig. 2510



Fig. 2515



Fig. 2530



Fig. DX2565



Fig. DX2566

FLOOR DRAINS



Fig. DX2568



Fig. 2570



Fig. 2585



Fig. 2589



Fig. 2614



Fig. 2624



Fig. 2630



Fig. 2640



Fig. 2641



Fig. 2643



Fig. 2645



Fig. 2646

FLOOR DRAINS



Fig. 2646Y



Fig. 2650



Fig. 2651



Fig. 2652



Fig. 2670



Fig. 2673



Fig. 2674



Fig. 2675



Fig. 2680



Fig. 2685



Fig. 2690



Fig. 2692



Fig. 2695



Fig. 2698



Fig. 2699LF



Fig. 2710



Fig. 2810

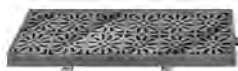


Fig. 2901



Fig. 2911



Fig. 2941



Fig. 2952



Fig. 2971



Fig. 2982



Fig. SQ-2-1717



Fig. SQ-2-2347



Fig. SQ-2-2647

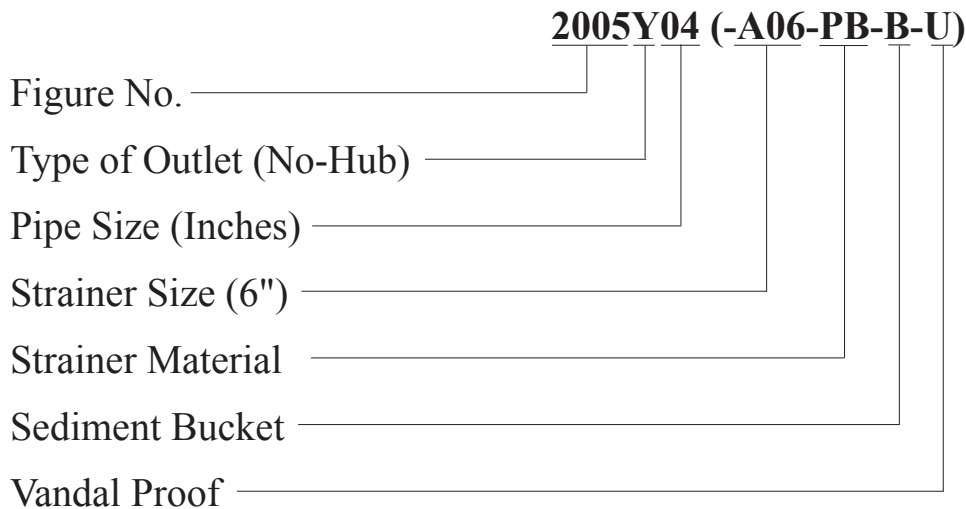
ORDERING GUIDELINES



2000 SERIES

After identifying the proper options required to meet the engineering specification, place order as shown below:

Examples:



*All variation suffixes are to be shown in parenthesis.

Drain Outlet Types:

- C Caulk Outlet
- T Threaded Outlet
- Y NO-HUB Outlet
- L Speedi-Set Service Weight
(02, 03 & 04" sizes only)
- LXH Speedi-Set Extra Heavy
(02, 03 & 04" sizes only)

Example: Pipe Size (Inches)

- 02 - 2"
- 03 - 3"
- 04 - 4"
- etc.

Example: Extensions 3/4" and up Speedi-Set Extra Heavy

- Order as follows:
- 3/4" -E075
 - 1" -E01
 - 1 1/2" -E015
 - etc.

FLOOR DRAINS TECHNICAL DATA



HOW TO SELECT A FLOOR DRAIN

Floor drains are primarily used for inside locations where the flow rate into the drain can be anticipated and for outside areas where rainfall intensity dictates sizing. Drains should be selected with sufficient top size and grate free area to pass the anticipated flow. Grate free area is defined as "the total area of the drainage openings in the grate." The drain outlet should be sized large enough so that it will safely pass the maximum flow through the grate, without creating water buildup.

Sizing and Location - For most indoor locations, the grate free area should be 1 1/2 times the transverse area of the connecting pipe. The number and location of drains are based on the configuration of the floor plan, type of operation and location of equipment. Location and number of floor drains required can be determined only after careful review of the plans and anticipated building use.

Floor drains or area drains, when used to drain exterior areas, should have an open area equal to twice the transverse area of the connecting pipe (Table 1.)

Recommended Grate Free Areas for Various Outlet Pipe Sizes			
Nominal Pipe Size, IN	Transverse Area of Pipe, SQ IN	Minimum Flow Requirements (Interior Areas) SQ IN	Maximum Flow Requirements (Exterior Areas) SQ IN
1 1/2	2.04	3.06	4.08
2	3.14	4.71	6.28
3	7.06	10.59	14.12
4	12.60	18.90	25.20
5	19.60	29.40	39.20
6	28.30	42.45	56.60
8	50.25	75.38	100.50

Table 1

SELECTING THE DRAIN

After the top size is determined based on anticipated flow into the drain, the following points should be considered when making the final selection of the floor drain.

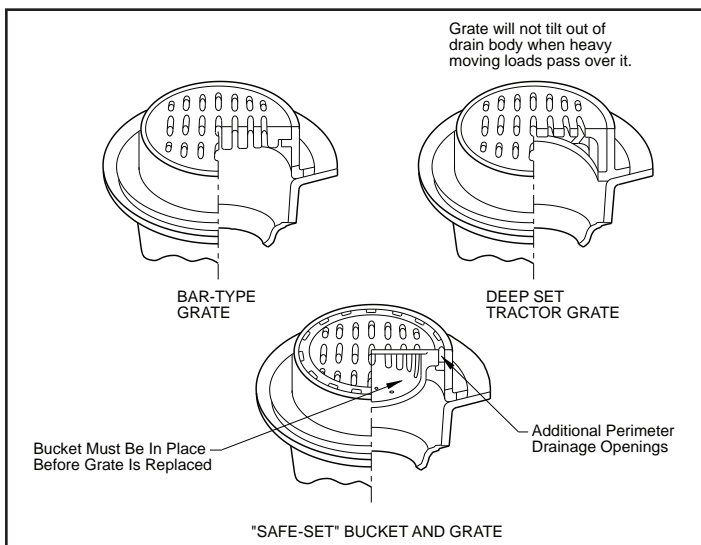
Selection of Top (Based on Anticipated Traffic)-Establish the maximum anticipated traffic (loading) which will pass over the grate and select the grate type which will support that load. Each drain shown in this section has a description listing the type of load it will take. The categories listed are for various drains in respect to grate loading. The load classifications are in accordance with the American National Standards ASME A112.21.1M. ASME Ratings are as follows:

- Light Duty* -All grates having safe live load under 2,000 lbs. (900 KG)
- Medium Duty* -All grates having safe live load between 2,000 lbs. (900 KG) and 4,999 lbs. (2250 KG)
- Heavy Duty* -All grates having safe live load between 5,000 lbs. (2250 KG) and 7,499 lbs. (3375 KG)
- Extra Heavy Duty* -All grates having safe live load between 7,500 lbs. (3375 KG) and 10,000 lbs. (4500 KG)

The above categories are given as a guide only. Conditions of use, load concentrations, installations, etc., can affect results and service. For unusual applications, consult the factory.

After the weight loading capacity is established, a suitable drain can be selected.

Illustrated below are various types of grate designs which will be mentioned throughout the catalog.



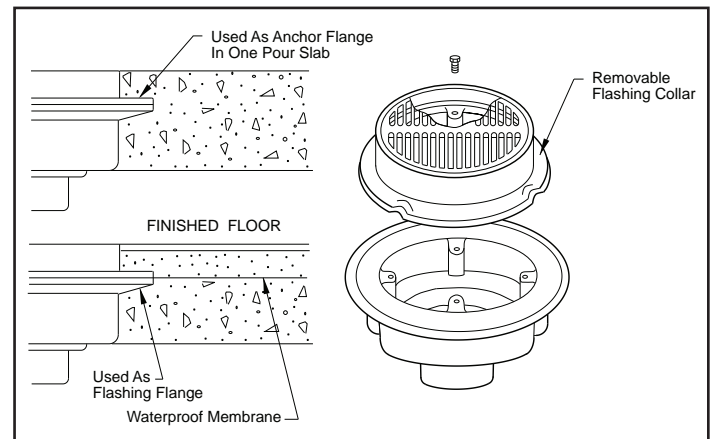
Selection of Top Material-(Unfinished Areas)-Drains located in heavy traffic areas should be specified with heavy duty cast iron grates. In areas where shock loads are anticipated, a ductile iron grate should be specified in lieu of the cast iron grate. Cast iron is acceptable for most unfinished areas such as warehouses, loading docks, boiler rooms and similar areas.

(Finished Areas)-Most drains are available with nickel bronze or bronze tops to match the surrounding trim in finished areas. Usually finished areas require light duty or medium duty tops.

(Finished Areas with Increased Load)-Many finished floor areas are subject to increased loadings. Examples are convention centers, equipment showrooms and industrial plants. Heavy duty cast iron tractor grates can be specified with bronze or nickel bronze veneered tops. (Specify Fig. No. 2120, 2140, 2250, etc.)

Top Shape-Round, square or rectangular styles are available to blend with all types of construction and floor patterns. The round top is the most flexible type since it can be easily oriented to most floor patterns.

Body Selection-Body depth is proportioned to the top size. Many Smith floor drains can be specified with various body depths. The deeper body is desirable when unusually large amounts of water are to be drained or an extra large sediment bucket is required.



Most floor drain bodies are available with a flange for either anchoring the drain in the floor slab or for use as a flashing flange in upper floors and waterproofed areas. Many Smith drains are regularly furnished with a flanged body and a combination "top flashing collar" which can be used to clamp the waterproof membrane.

NOTE: For additional floor drain technical or application data go to our web site at www.jrsmith.com or contact your local Jay R. Smith Representative.

NOTES

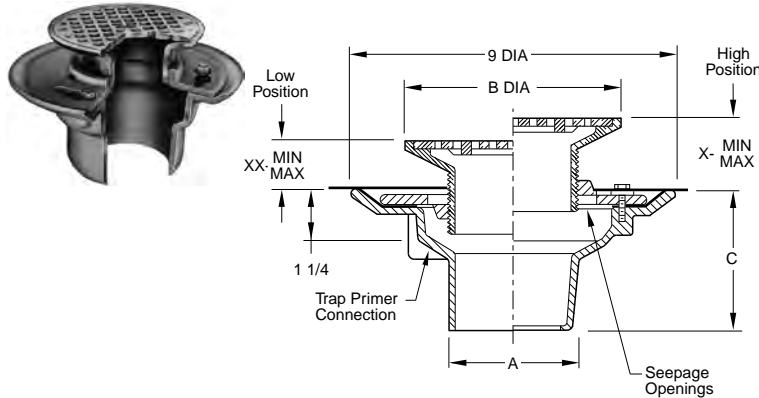


FLOOR DRAINS



FIG. 2005 (-A) FLOOR DRAIN WITH ADJ. ROUND STRAINER
FIG. 2010 (-A) FLOOR DRAIN WITH ADJ. ROUND STRAINER

FUNCTION: General service floor drain for use in showers, toilets, kitchens and other finished areas where foot traffic is expected. The round top strainer head is used for all types of poured finished floors. Reversible flashing collar permits adjustment of the strainer to meet finished floor level.



OUTLET VARIATIONS (Specify type of outlet and pipe size in inches.)

Outlet Type	Outlet Designation	Outlet Type/Pipe Size	"C" Body HT. DIM.	ADD
Inside Caulk (2010)	C02, C03, C04		4"	N/C
Speedi-Set SW (2005)	L02, L03, L04		4"	28.00
Speedi-Set XH (2005)	LXH02, LXH03, LXH04		4"	28.00
Threaded(2010)	T02, T03, T04		3"	68.00
No-Hub (2005)	Y02, Y03, Y04		4"	N/C
	Y06		4"	250.00
OPTIONS:				ADD
-ARI	Acid Resistant Inside or Outside			236.00
-ARIO	Acid Resistant Inside & Outside			236.00
-B	Sediment Bucket			36.00
-BB	Bronze Body, 02-04"			734.00
	05-06"			2,255.00
-BFV	Ball Float Bkwtr Valve			253.00
-DID	Drain Installation Device			See Fig. 2038
-G	Galvanized Body			121.00
-H	Hinged Grate			168.00
-P	Trap Primer Conn			15.00
-U	Vandal Proof Screws			28.00
-V	Flapper Backwater Valve			253.00

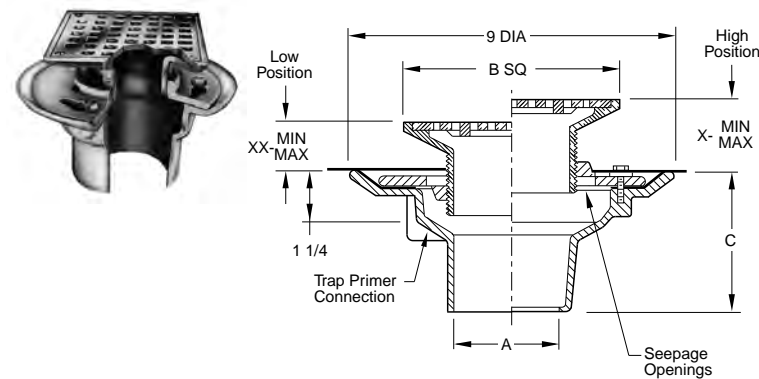
A OUTLET SIZE	B TOP SIZE	X MIN	X MAX	XX MIN	XX MAX	PB TOP	†NB TOP	CP TOP	APPROX. WEIGHT LBS.
02, 03, 04"	05"	1 1/4	2 1/4	3/4	1 5/8	242.00	242.00	311.00	12
02, 03, 04"	06"	1 1/4	2 1/4	3/4	1 5/8	311.00	311.00	382.00	13
02, 03, 04"	07"	1 1/4	2 1/4	7/8	1 7/8	409.00	409.00	443.00	14
02, 03, 04"	08"	1 1/2	2 1/2	1	1 7/8	553.00	553.00	561.00	15
02, 03, 04"	09"	1 1/2	2 3/8	1	1 7/8	708.00	708.00	767.00	18
02, 03, 04"	10"	1 1/2	2 3/8	1	1 7/8	708.00	708.00	767.00	21

REGULARLY FURNISHED: Duco Cast Iron Body with Flashing Collar and Adjustable Round Strainer Head.

FIG. 2005 (-B) FLOOR DRAIN WITH ADJ. SQUARE STRAINER
FIG. 2010 (-B) FLOOR DRAIN WITH ADJ. SQUARE STRAINER

FUNCTION: General service floor drain for use in showers, toilets, kitchens and other finished areas where foot traffic is expected. The square top is particularly adaptable to floors that are finished in material of square or straight line pattern. Reversible flashing collar permits adjustment of the strainer to meet finished floor level.

OUTLET VARIATIONS (Specify type of outlet and pipe size in inches.)



Outlet Type	Outlet Designation	Outlet Type/Pipe Size	"C" Body HT. DIM.	ADD
Inside Caulk (2010)	C02, C03, C04		4"	N/C
Speedi-Set SW (2005)	L02, L03, L04		4"	28.00
Speedi-Set XH (2005)	LXH02, LXH03, LXH04		4"	28.00
Threaded (2010)	T02, T03, T04		3"	68.00
No-Hub (2005)	Y02, Y03, Y04		4"	N/C
	Y06		4"	250.00
OPTIONS:				ADD
-ARI	Acid Resistant Inside or Outside			236.00
-ARIO	Acid Resistant Inside & Outside			236.00
-B	Sediment Bucket			36.00
-BB	Bronze Body, 02-04"			734.00
	05-06"			2,255.00
-BFV	Ball Float Backwater Valve			253.00
-DID	Drain Installation Device			See Fig. 2038
-G	Galvanized Body			121.00
-H	Hinged Grate			168.00
-P	Trap Primer Conn			15.00
-U	Vandal Proof Screws			28.00
-V	Flapper Backwater Valve			253.00

A OUTLET SIZE	B TOP SIZE	X MIN	X MAX	XX MIN	XX MAX	PB TOP	†NB TOP	CP TOP	APPROX. WEIGHT LBS.
02, 03, 04"	05 x 05"	1 1/4	2 1/4	3/4	1 5/8	442.00	482.00	501.00	12
02, 03, 04"	06 x 06"	1 1/4	2 1/4	3/4	1 5/8	508.00	538.00	557.00	13
02, 03, 04"	07 x 07"	1 1/4	2 1/4	7/8	1 7/8	604.00	645.00	664.00	14
02, 03, 04"	08 x 08"	1 1/2	2 1/2	1	1 7/8	707.00	780.00	799.00	15
02, 03, 04"	09 x 09"	1 1/2	2 3/8	1	1 7/8	904.00	1,393.00	1,412.00	18
02, 03, 04"	10 x 10"	1 1/2	2 3/8	1	1 7/8	1,157.00	1,648.00	1,667.00	21

REGULARLY FURNISHED: Duco Cast Iron Body with Flashing Collar and Adjustable Square Strainer Head.

When ordering, specify drain body and strainer type, size and finish. Ex. 2005Y04 w/A05NB.

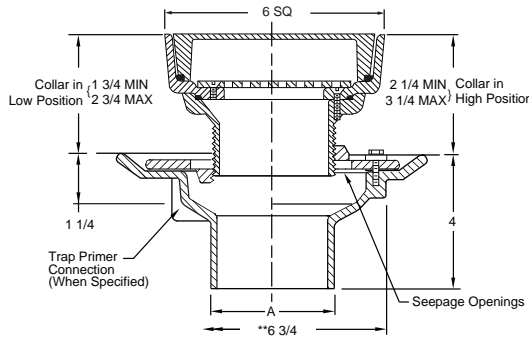


FLOOR DRAINS



FIG. 2005 (-BS) FLOOR DRAIN AND ADJ. STRAINER WITH SQUARE SOLID HINGED COVER FIG. 2010 (-BS) FLOOR DRAIN AND ADJ. STRAINER WITH SQUARE SOLID HINGED COVER

FUNCTION: General service floor drain for use in showers, toilets, kitchens and other finished areas where foot traffic is expected. Reversible flashing collar permits adjustment of the strainer to meet finished floor level.



OUTLET VARIATIONS (Specify type of outlet and pipe size in inches.)

Outlet Type	Outlet Designation	Outlet Type/Pipe Size	"C" Body HT. DIM.	ADD
Inside Caulk (2010)	C02, C03, C04		4"	N/C
Speedi-Set SW (2005)	L02, L03, L04		4"	28.00
Speedi-Set XH (2005)	LXH02, LXH03, LXH04		4"	28.00
Threaded (2010)	T02, T03, T04		3"	68.00
No-Hub (2005)	Y02, Y03, Y04		4"	N/C
	Y06		4"	250.00

OPTIONS:

Option	Description	ADD
-ARI	Acid Resistant Inside or Outside	236.00
-ARIO	Acid Resistant Inside & Outside	236.00
-B	Sediment Bucket	POA
-BB	Bronze Body, 02-04"	734.00
	05-06"	2,255.00
-DID	Drain Installation Device	See Fig. 2038
-G	Galvanized Body	121.00
-GC	Gasketed/Water Tight	50.00
-P	Trap Primer Conn	15.00
-SEC	Secured Cover	40.00
-SS	Secondary Strainer	38.00
-U	Vandal Proof Screws	40.00

A OUTLET SIZE	B TOP SIZE	X MIN	X MAX	XX MIN	XX MAX	PB TOP	†NB TOP	CP TOP	APPROX. WEIGHT LBS.
02, 03, 04"	06 x 06"	1 1/4	2 1/4	3/4	1 5/8	779.00	896.00	946.00	11

REGULARLY FURNISHED: Duco Cast Iron Body with Flashing Collar and Adjustable Strainer with Hinged Solid Cover.

FIG. 2005 (-C) FLOOR DRAIN AND ADJ. STRAINER WITH ROUND REINFORCED GRATE FIG. 2010 (-C) FLOOR DRAIN AND ADJ. STRAINER WITH ROUND REINFORCED GRATE

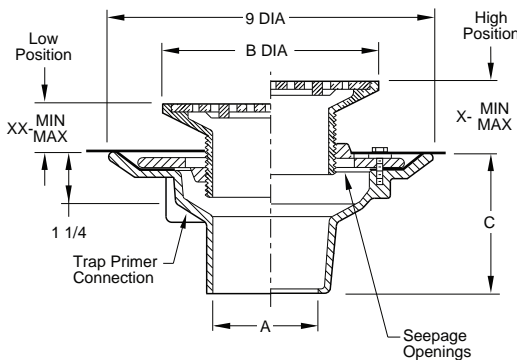
FUNCTION: General service floor drain for use in showers, toilets, kitchens and other finished areas where foot traffic is expected. Reversible flashing collar permits adjustment of the strainer to meet finished floor level. Used in finished floors where light wheeled loads are anticipated.

OUTLET VARIATIONS (Specify type of outlet and pipe size in inches.)

Outlet Type	Outlet Designation	Outlet Type/Pipe Size	"C" Body HT. DIM.	ADD
Inside Caulk (2010)	C02, C03, C04		4"	N/C
Speedi-Set SW (2005)	L02, L03, L04		4"	28.00
Speedi-Set XH (2005)	LXH02, LXH03, LXH04		4"	28.00
Threaded (2010)	T02, T03, T04		3"	68.00
No-Hub (2005)	Y02, Y03, Y04		4"	N/C
	Y06		4"	250.00

OPTIONS:

Option	Description	ADD
-ARI	Acid Resistant Inside or Outside	236.00
-ARIO	Acid Resistant Inside & Outside	236.00
-B	Sediment Bucket	36.00
-BB	Bronze Body, 02-04"	734.00
	05-06"	2,255.00
-BFV	Ball Float Bkwtr Valve	253.00
-DID	Drain Installation Device	See Fig. 2038
-G	Galvanized Body	121.00
-P	Trap Primer Conn	15.00
-U	Vandal Proof Screws	40.00
-V	Flapper Backwater Valve	253.00



A OUTLET SIZE	B TOP SIZE	X MIN	X MAX	XX MIN	XX MAX	PB TOP	†NB TOP	CP TOP	APPROX. WEIGHT LBS.
02, 03, 04"	05"	1 1/4	2 1/4	3/4	1 5/8	407.00	421.00	436.00	13
02, 03, 04"	06"	1 1/4	2 1/4	3/4	1 5/8	447.00	484.00	508.00	15
02, 03, 04"	08"	1 1/2	2 1/2	1	1 7/8	618.00	643.00	681.00	17
02, 03, 04"	10"	1 1/2	2 3/8	1	1 7/8	796.00	833.00	893.00	19

REGULARLY FURNISHED: Duco Cast Iron Body with Flashing Collar and Adjustable Strainer with Round Reinforced Grate.

When ordering, specify drain body and strainer type, size and finish. Ex. 2005Y04 w/A05NB.

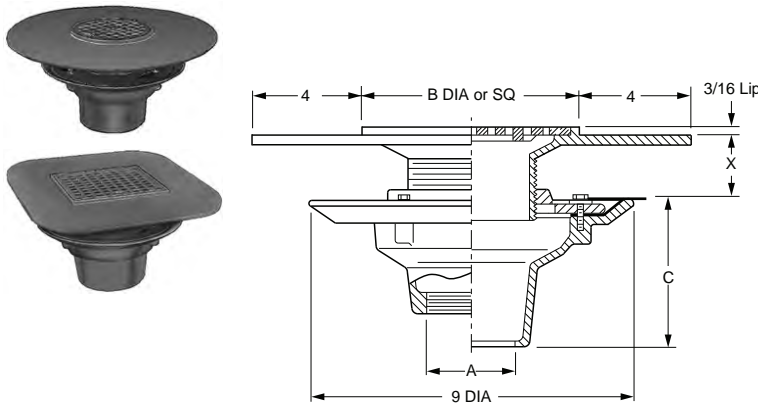


FLOOR DRAINS



FIG. DX2005 (A) FLOOR OR SHOWER DRAIN AND ADJ. WIDE FLANGE STRAINER WITH ROUND GRATE
FIG. DX2010 (B) FLOOR OR SHOWER DRAIN AND ADJ. WIDE FLANGE STRAINER WITH SQUARE GRATE

FUNCTION: Used in any floor or shower area. Four inch wide flange allows ample surface adhesion of traffic bearing deck covering.



OUTLET VARIATIONS (Specify type of outlet and pipe size in inches.)

Outlet Type	Outlet Designation	Outlet Type/Pipe Size	"C" Body HT. DIM.	ADD
Inside Caulk (2010)	C02, C03, C04		4"	N/C
Speedi-Set SW (2005)	L02, L03, L04		4"	28.00
Speedi-Set XH (2005)	LXH02, LXH03, LXH04		4"	28.00
Threaded (2010)	T02, T03, T04		3"	68.00
No-Hub (2005)	Y02, Y03, Y04		4"	N/C
	Y06		4"	250.00

OPTIONS:

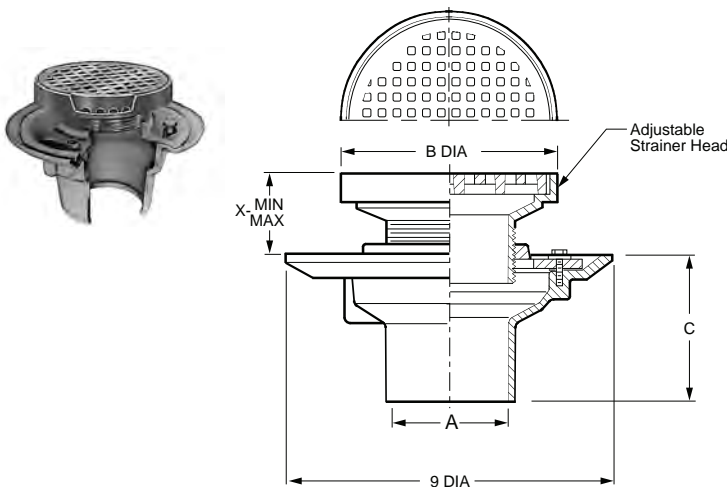
Option	Description	ADD
-ARI	Acid Resistant Inside or Outside	236.00
-ARIO	Acid Resistant Inside & Outside	236.00
-BB	Bronze Body, 02-04"	734.00
	05-06"	2,255.00
-DID	Drain Installation Device	See Fig. 2038
-G	Galvanized Body	121.00
-LWH	Less Weep Holes	N/C
-P	Trap Primer Conn	15.00
-SH	Sec Holes in Flange	74.00
-U	Vandal Proof Screws	28.00

A OUTLET SIZE	B STRAINER SIZE	X MIN MAX	PB TOP	†NB TOP	CP TOP	APPROX. WEIGHT LBS.
02, 03, 04"	05"	1 1/4 2	714.00	730.00	770.00	27
02, 03, 04"	06"	1 1/4 2	814.00	847.00	921.00	29

REGULARLY FURNISHED: Duco Cast Iron Body, Adjustable Strainer as Indicated by Suffix Letter Selected with 4" Wide Flange and Secondary Flashing Flange.

FIG. 2005(-D) FLOOR DRAIN AND ADJ. STRAINER WITH ROUND REINFORCED TRACTOR GRATE
FIG. 2010(-E) FLOOR DRAIN AND ADJ. STRAINER WITH ROUND REINFORCED TRACTOR GRATE

FUNCTION: Used in finished floors where medium weight wheeled loads are anticipated and loose set non-tilt tractor grate is desired.



OUTLET VARIATIONS (Specify type of outlet and pipe size in inches.)

Outlet Type	Outlet Designation	Outlet Type/Pipe Size	"C" Body HT. DIM.	ADD
Inside Caulk (2010)	C02, C03, C04		4"	N/C
Speedi-Set SW (2005)	L02, L03, L04		4"	28.00
Speedi-Set XH (2005)	LXH02, LXH03, LXH04		4"	28.00
Threaded (2010)	T02, T03, T04		3"	68.00
No-Hub (2005)	Y02, Y03, Y04		4"	N/C
	Y06		4"	250.00

OPTIONS:

Option	Description	ADD
-ARI	Acid Resistant Inside or Outside	236.00
-ARIO	Acid Resistant Inside & Outside	236.00
-B	Sediment Bucket	36.00
-BB	Bronze Body, 02-04"	734.00
	05-06"	2,255.00
-BFV	Ball Float Backwater Valve	318.00
-DID	Drain Installation Device	See Fig. 2038
-G	Galvanized CI Body	121.00
-P	Trap Primer Conn	15.00
-U	Vandal Proof Screws	28.00
-V	Backwater Valve	318.00

A OUTLET SIZE	STRAINER SUFFIX	B TOP SIZE	X MIN MAX	CI TOP	PB TOP	†NB TOP	CP TOP	APPROX. WEIGHT LBS.
02, 03, 04"	D	07"	2 1/4 3 1/4	404.00	765.00	836.00	886.00	14
02, 03, 04"	E	09"	2 3/4 3 1/2	496.00	1,072.00	1,159.00	1,209.00	6

REGULARLY FURNISHED: Duco Cast Iron Body and Flashing Collar, Adjustable Strainer Head as Indicated by Suffix Letter Selected. Medium Duty Tractor Grate.

When ordering, specify drain body and strainer type, size and finish. Ex. 2005Y04 w/A05NB.

FLOOR DRAINS

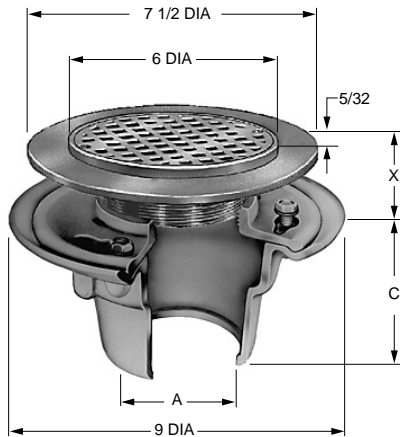


FLOOR DRAINS



FIG. 2005 (-F) FLOOR DRAIN AND ADJ. TILE FLANGE STRAINER WITH ROUND GRATE FIG. 2010 (-F) FLOOR DRAIN AND ADJ. TILE FLANGE STRAINER WITH ROUND GRATE

FUNCTION: Provides integral flange set 5/32" below rim to receive floor covering. Flange may have option of tapped holes for securing pan and gasket.



A OUTLET SIZE	STRAINER SIZE	X MIN MAX	DUCO CI PB TOP	DUCO CI †NB TOP	DUCO CI CP TOP	APPROX. WEIGHT LBS.
02, 03, 04"	06"	1 1/4 2 1/8	1,104.00	1,158.00	1,208.00	14

REGULARLY FURNISHED: Duco Cast Iron Body and Flashing Collar, Adjustable Strainer Head as Indicated by Suffix Letter Selected.

OUTLET VARIATIONS (Specify type of outlet and pipe size in inches.)

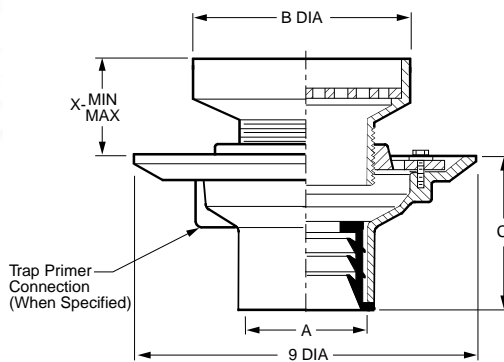
Outlet Type	Outlet Designation	Outlet Type/Pipe Size	"C" Body HT. DIM.	ADD
Inside Caulk (2010)	C02, C03, C04		4"	N/C
Speedi-Set SW (2005)	L02, L03, L04		4"	28.00
Speedi-Set XH (2005)	LXH02, LXH03, LXH04		4"	28.00
Threaded (2010)	T02, T03, T04		3"	68.00
No-Hub (2005)	Y02, Y03, Y04		4"	N/C
	Y06		4"	250.00

OPTIONS:

OPTION	DESCRIPTION	ADD
-ARI	Acid Resistant Inside or Outside	236.00
-ARIO	Acid Resistant Inside & Outside	236.00
-B	Sediment Bucket	36.00
-BB	Bronze Body, 02-04"	734.00
	05-06"	2,255.00
-BFV	Ball Float Backwater Valve	253.00
-DID	Drain Installation Device	See Fig. 2038
-G	Galvanized Body	121.00
-P	Trap Primer Conn	15.00
-SH	Tapped Holes in Flange	74.00
-U	Vandal Proof Screws	28.00
-V	Flapper Backwater Valve	253.00

FIG. 2005 (-F37) FLOOR DRAIN AND ADJ. STRAINER WITH ROUND RECESSED GRATE FIG. 2010 (-F38) FLOOR DRAIN AND ADJ. STRAINER WITH ROUND RECESSED GRATE

FUNCTION: Used in a non-traffic area when a funnel type strainer head is required and space does not allow use of the 3500 Series funnel. The extended rim allows use as an anti-flood and anti-splash drip pan.



OUTLET VARIATIONS (Specify type of outlet and pipe size in inches.)

Outlet Type	Outlet Designation	Outlet Type/Pipe Size	"C" Body HT. DIM.	ADD
Inside Caulk (2010)	C02, C03, C04		4"	N/C
Speedi-Set SW (2005)	L02, L03, L04		4"	28.00
Speedi-Set XH (2005)	LXH02, LXH03, LXH04		4"	28.00
Threaded (2010)	T02, T03, T04		3"	68.00
No-Hub (2005)	Y02, Y03, Y04		4"	N/C
	Y06		4"	250.00

OPTIONS:

OPTION	DESCRIPTION	ADD
-ARI	Acid Resistant Inside or Outside	236.00
-ARIO	Acid Resistant Inside & Outside	236.00
-BB	Bronze Body, 02-04"	734.00
	05-06"	2,255.00
-DID	Drain Installation Device	See Fig. 2038
-G	Galvanized CI Body	121.00
-GS	Galvanized Body & Strainer	
	F37 (add to CI)	209.00
	F38 (add to CI)	286.00
-P	Trap Primer Conn	15.00

A OUTLET SIZE	STRAINER SUFFIX	B TOP SIZE	X MIN MAX	CI TOP	PB TOP	†NB TOP	CP TOP	APPROX. WEIGHT LBS.
02, 03, 04"	F37	07"	2 5/8 3 1/2	326.00	640.00	666.00	735.00	19
02, 03, 04"	F38	09"	2 3/4 3 1/2	403.00	826.00	864.00	1,035.00	22

REGULARLY FURNISHED: Duco Cast Iron Body and Flashing Collar, Adjustable Nickel Bronze Strainer Head as Indicated by Suffix Letter Selected. Flush with Floor Funnel with Anti-Splash Rim and Grate.

When ordering, specify drain body and strainer type, size and finish. Ex. 2005Y04 w/A05NB.

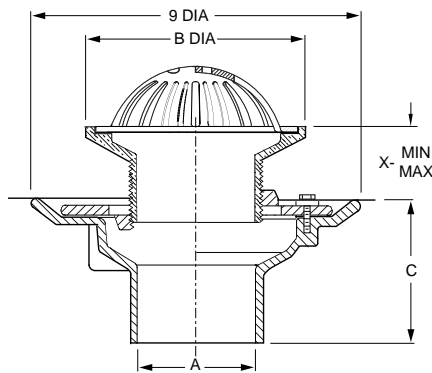


FLOOR DRAINS



FIG. 2005 (-G) FLOOR DRAIN AND ADJ. STRAINER WITH ROUND LOW DOME GRATE FIG. 2010 (-G) FLOOR DRAIN AND ADJ. STRAINER WITH ROUND LOW DOME GRATE

FUNCTION: Used in gutters and recessed areas where excessive debris build-up is expected. Dome insures drainage even when partly covered.



A OUTLET SIZE	B STRAINER SIZE	X MIN MAX	DUCO CI PB TOP	DUCO CI †NB TOP	DUCO CI CP TOP	APPROX. WEIGHT LBS.
02, 03, 04"	05"	1 1/4 2 1/4	276.00	319.00	359.00	11
02, 03, 04"	06"	1 1/4 2 1/4	313.00	366.00	406.00	13
02, 03, 04"	08"	1 1/2 2 1/2	586.00	621.00	671.00	16

REGULARLY FURNISHED: Duco Cast Iron Body with Flashing Collar and Adjustable Low Dome Strainer Head.

OUTLET VARIATIONS (Specify type of outlet and pipe size in inches.)

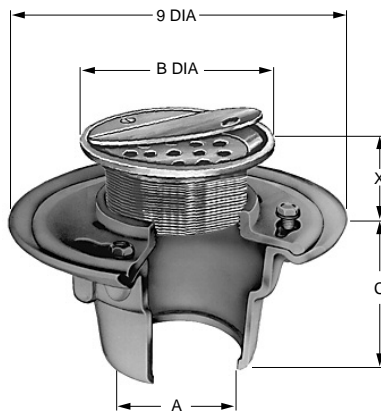
Outlet Type	Outlet Designation Outlet Type/Pipe Size	"C" Body HT. DIM.	ADD
Inside Caulk (2010)	C02, C03, C04	4"	N/C
Speedi-Set SW (2005)	L02, L03, L04	4"	28.00
Speedi-Set XH (2005)	LXH02, LXH03, LXH04	4"	28.00
Threaded(2010)	T02, T03, T04	3"	68.00
No-Hub (2005)	Y02, Y03, Y04	4"	N/C
	Y06	4"	250.00

OPTIONS:	ADD
-B Sediment Bucket	36.00
-BB Bronze Body, 02-04"	734.00
05-06"	2,255.00
-BFV Ball Float Backwater Valve	318.00
-DID Drain Installation Device	See Fig. 2038
-G Galvanized Body	121.00
-MS SS Mesh on Dome	283.00
-P Trap Primer Conn	15.00
-U Vandal Proof Screws	28.00
-V Flapper Type Backwater Valve	318.00

FLOOR DRAINS

FIG. 2005 (-H) FLOOR DRAIN AND ADJ. STRAINER WITH ROUND SOLID HINGED COVER FIG. 2010 (-H) FLOOR DRAIN AND ADJ. STRAINER WITH ROUND SOLID HINGED COVER

FUNCTION: Used in areas where intermittent drain use is required. Solid cover prevents intrusion of chips, sawdust, etc., which are swept up before cover is opened for washdown. The secondary strainer prevents debris from entering the waste line.



A OUTLET SIZE	B STRAINER SIZE	X MIN MAX	DUCO CI PB TOP	DUCO CI †NB TOP	DUCO CI CP TOP	APPROX. WEIGHT LBS.
02, 03, 04"	05"	1 1/4 2 1/4	487.00	507.00	547.00	13
02, 03, 04"	06"	1 1/4 2 1/4	755.00	792.00	832.00	14
02, 03, 04"	07"	1 1/4 2 1/4	1,085.00	1,136.00	1,176.00	16
02, 03, 04"	08"	1 1/2 2 1/2	1,100.00	1,155.00	1,195.00	16

REGULARLY FURNISHED: Duco Cast Iron Body and Flashing Collar, Adjustable Strainer Head as Indicated by Suffix Letter Selected.

OUTLET VARIATIONS (Specify type of outlet and pipe size in inches.)

Outlet Type	Outlet Designation Outlet Type/Pipe Size	"C" Body HT. DIM.	ADD
Inside Caulk (2010)	C02, C03, C04	4"	N/C
Speedi-Set SW (2005)	L02, L03, L04	4"	28.00
Speedi-Set XH (2005)	LXH02, LXH03, LXH04	4"	28.00
Threaded(2010)	T02, T03, T04	3"	68.00
No-Hub (2005)	Y02, Y03, Y04	4"	N/C
	Y06	4"	250.00

OPTIONS:	ADD
-ARI Acid Resistant Inside or Outside	236.00
-ARIO Acid Resistant Inside & Outside	236.00
-BB Bronze Body, 02-04"	734.00
05-06"	2,255.00
-BFV Ball Float Backwater Valve	318.00
-DID Drain Installation Device	See Fig. 2038
-G Galvanized Body	121.00
-P Trap Primer Conn	15.00
-U Vandal Proof Screws	28.00
-V Flapper Type Backwater Valve	318.00

When ordering, specify drain body and strainer type, size and finish. Ex. 2005Y04 w/A05NB.

†REGULARLY FURNISHED

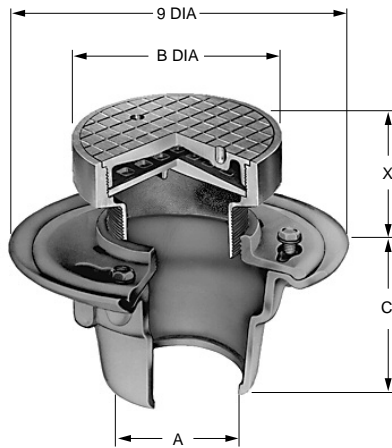


FLOOR DRAINS



FIG. 2005 (-J) FLOOR DRAIN AND ADJ. STRAINER WITH ROUND SPANNER WRENCH COVER
FIG. 2010 (-J) FLOOR DRAIN AND ADJ. STRAINER WITH ROUND SPANNER WRENCH COVER

FUNCTION: Solid gas tight, vandal proof, threaded cover for areas where intermittent drain use is required.



A OUTLET SIZE	B STRAINER SIZE	X		DUCO CI PB TOP	DUCO CI †NB TOP	DUCO CI CP TOP	APPROX. WEIGHT LBS.
		MIN	MAX				
02, 03, 04"	06"	2	3	847.00	886.00	936.00	19

REGULARLY FURNISHED: Duco Cast Iron Body and Flashing Collar, Adjustable Strainer Head as Indicated by Suffix Letter Selected.

OUTLET VARIATIONS (Specify type of outlet and pipe size in inches.)

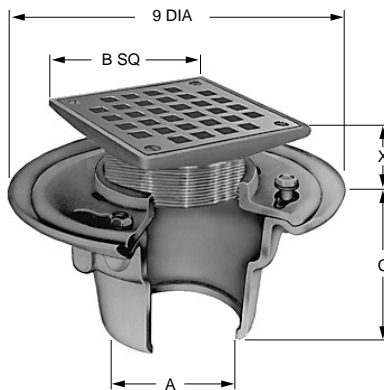
Outlet Type	Outlet Designation Outlet Type/Pipe Size	"C" Body HT. DIM.	ADD
Inside Caulk (2010)	C02, C03, C04	4"	N/C
Speedi-Set SW (2005)	L02, L03, L04	4"	28.00
Speedi-Set XH (2005)	LXH02, LXH03, LXH04	4"	28.00
Threaded(2010)	T02, T03, T04	3"	68.00
No-Hub (2005)	Y02, Y03, Y04	4"	N/C
	Y06	4"	250.00

OPTIONS:

OPTION	DESCRIPTION	ADD
-ARI	Acid Resistant Inside or Outside	236.00
-ARIO	Acid Resistant Inside & Outside	236.00
-B	Sediment Bucket	36.00
-BB	Bronze Body, 02-04" 05-06"	734.00 2,255.00
-BFV	Ball Float Backwater Valve	253.00
-DID	Drain Installation Device	See Fig. 2038
-G	Galvanized Body	121.00
-P	Trap Primer Conn	15.00
-SC	Smooth Cover	123.00
-SW	Spanner Wrench	97.00
-V	Flapper Type Backwater Valve	253.00

FIG. 2005 (-K) FLOOR DRAIN AND ADJ. STRAINER WITH SQUARE REINFORCED GRATE
FIG. 2010 (-K) FLOOR DRAIN AND ADJ. STRAINER WITH SQUARE REINFORCED GRATE

FUNCTION: Used in finished floors where some light wheeled traffic is anticipated.



A OUTLET SIZE	B STRAINER SIZE	X		DUCO CI PB TOP	DUCO CI †NB TOP	DUCO CI CP TOP	APPROX. WEIGHT LBS.
		MIN	MAX				
02, 03, 04"	05 x 05"	1 1/4	2 1/4	461.00	493.00	533.00	14
02, 03, 04"	06 x 06"	1 1/4	2 1/4	548.00	579.00	621.00	16
02, 03, 04"	07 x 07"	1 1/4	2 1/4	630.00	660.00	710.00	17
02, 03, 04"	08 x 08"	1 1/2	2 1/2	755.00	814.00	884.00	18

REGULARLY FURNISHED: Duco Cast Iron Body and Flashing Collar, Adjustable Strainer Head as Indicated by Suffix Letter Selected.

OUTLET VARIATIONS (Specify type of outlet and pipe size in inches.)

Outlet Type	Outlet Designation Outlet Type/Pipe Size	"C" Body HT. DIM.	ADD
Inside Caulk (2010)	C02, C03, C04	4"	N/C
Speedi-Set SW (2005)	L02, L03, L04	4"	28.00
Speedi-Set XH (2005)	LXH02, LXH03, LXH04	4"	28.00
Threaded (2010)	T02, T03, T04	3"	68.00
No-Hub (2005)	Y02, Y03, Y04	4"	N/C
	Y06	4"	250.00

OPTIONS:

OPTION	DESCRIPTION	ADD
-ARI	Acid Resistant Inside or Outside	236.00
-ARIO	Acid Resistant Inside & Outside	236.00
-B	Sediment Bucket	36.00
-BB	Bronze Body, 02-04" 05-06"	734.00 2,255.00
-BFV	Ball Float Backwater Valve	253.00
-DID	Drain Installation Device	See Fig. 2038
-G	Galvanized Body	121.00
-P	Trap Primer Conn	15.00
-U	Vandal Proof Screws	28.00
-V	Flapper Type Backwater Valve	253.00

When ordering, specify drain body and strainer type, size and finish. Ex. 2005Y04 w/A05NB.

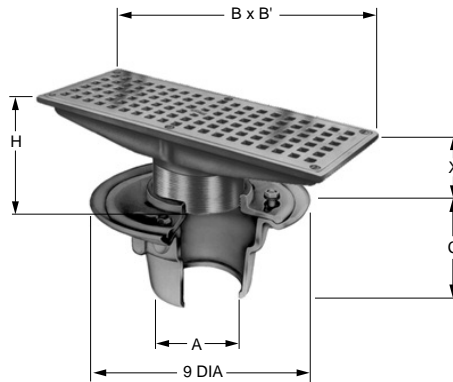


FLOOR DRAINS



FIG. 2005 (L-T) FLOOR DRAIN AND ADJ. STRAINER WITH RECTANGULAR GRATE
FIG. 2010 (L-T) FLOOR DRAIN AND ADJ. STRAINER WITH RECTANGULAR GRATE

FUNCTION: Used in shower room, gutters and similar areas where large grate free area is required and limited width is available.



OUTLET VARIATIONS (Specify type of outlet and pipe size in inches.)

Outlet Type	Outlet Designation	Outlet Type/Pipe Size	"C" Body HT. DIM.	ADD
Inside Caulk (2010)	C02, C03, C04		4"	N/C
Speedi-Set SW (2005)	L02, L03, L04		4"	28.00
Speedi-Set XH (2005)	LXH02, LXH03, LXH04		4"	28.00
Threaded(2010)	T02, T03, T04		3"	68.00
No-Hub (2005)	Y02, Y03, Y04		4"	N/C
	Y06		4"	250.00

OPTIONS:

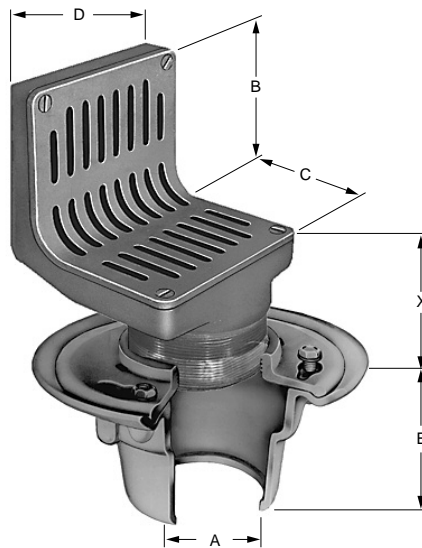
Option	Description	ADD
-ARI	Acid Resistant Inside or Outside	236.00
-ARIO	Acid Resistant Inside & Outside	236.00
-B	Sediment Bucket	36.00
-BB	Bronze Body, 02-04"	734.00
	05-06"	2,255.00
-BFV	Ball Float Backwater Valve	253.00
-DID	Drain Installation Device	See Fig. 2038
-G	Galvanized Body	121.00
-P	Trap Primer Conn	15.00
-U	Vandal Proof Screws	28.00
-V	Flapper Backwater Valve	253.00

A OUTLET SIZE	STRAINER SUFFIX	B X B STRAINER SIZE	X MIN MAX	H	DUCO CI PB TOP	DUCO CI †NB TOP	DUCO CI CP TOP	APPROX. WEIGHT LBS.
02, 03, 04"	L	4 1/4 x 08"	1 3/8" 2 3/8"	2 1/4"	487.00	505.00	696.00	17
02, 03, 04"	M	04 x 12"	1 7/8" 2 3/4"	2 1/2"	678.00	776.00	841.00	19
02, 03, 04"	N	05 x 09"	1 3/8" 2 3/8"	2 1/4"	487.00	505.00	696.00	21
02, 03, 04"	P	05 x 13"	2 1/8" 3"	3"	521.00	542.00	945.00	24
02, 03, 04"	R	06 x 10"	1 3/8" 2 3/8"	2 1/4"	792.00	872.00	945.00	26
02, 03, 04"	T	05 x 17"	2 1/4" 3 1/8"	3"	990.00	1,037.00	1,087.00	29

REGULARLY FURNISHED: Duco Cast Iron Body and Flashing Collar, Adjustable Strainer Head as Indicated by Suffix Letter Selected.

FIG. 2005 (-V) FLOOR DRAIN AND ADJ. STRAINER WITH ANGLE GRATE
FIG. 2010 (-W) FLOOR DRAIN AND ADJ. STRAINER WITH ANGLE GRATE

FUNCTION: Shower room drain set at wall and floor junction. Vertical grate openings prevent drain stoppage should flat surface become covered.



OUTLET VARIATIONS (Specify type of outlet and pipe size in inches.)

Outlet Type	Outlet Designation	Outlet Type/Pipe Size	"E" Body HT. DIM.	ADD
Inside Caulk (2010)	C02, C03, C04		4"	N/C
Speedi-Set SW (2005)	L02, L03, L04		4"	28.00
Speedi-Set XH (2005)	LXH02, LXH03, LXH04		4"	28.00
Threaded(2010)	T02, T03, T04		3"	68.00
No-Hub (2005)	Y02, Y03, Y04		4"	N/C
	Y06		4"	250.00

OPTIONS:

Option	Description	ADD
-ARI	Acid Resistant Inside or Outside	236.00
-ARIO	Acid Resistant Inside & Outside	236.00
-BB	Bronze Body, 02-04"	734.00
	05-06"	2,255.00
-DID	Drain Installation Device	See Fig. 2038
-G	Galvanized Body	121.00
-P	Trap Primer Conn	15.00
-U	Vandal Proof Screws	28.00

A OUTLET SIZE	STRAINER SUFFIX	B	C	D	X MIN MAX	DUCO CI PB TOP	DUCO CI †NB TOP	DUCO CI CP TOP	APPROX. WEIGHT LBS.
02, 03, 04"	V	3 1/2"	3 1/2"	4 1/2"	1 5/8" 2 5/8"	571.00	926.00	966.00	19
02, 03, 04"	W	6 3/4"	6 3/4"	6 1/2"	1 5/8" 2 5/8"	839.00	877.00	917.00	28

REGULARLY FURNISHED: Duco Cast Iron Body and Flashing Collar, Adjustable Strainer Head as Indicated by Suffix Letter Selected.

When ordering, specify drain body and strainer type, size and finish. Ex. 2005Y04 w/A05NB.

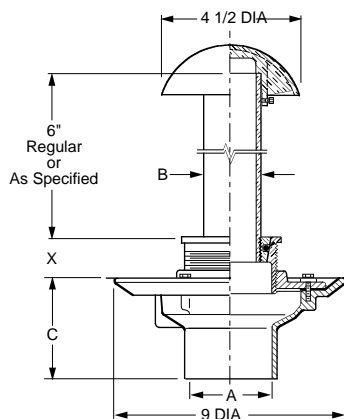


FLOOR DRAINS



FIG. 2005 (-Y) FLOOR DRAIN AND ADJ. STRAINER WITH OVERFLOW STANDPIPE FIG. 2010 (-Z) FLOOR DRAIN AND ADJ. STRAINER WITH OVERFLOW STANDPIPE

FUNCTION: Used as overflow drain in decorative pools, fish ponds or similar areas. Dome prevents floating objects from entering drain line.



OUTLET VARIATIONS (Specify type of outlet and pipe size in inches.)

Outlet Type	Outlet Designation	Outlet Type/Pipe Size	"C" Body HT. DIM.	ADD
Inside Caulk (2010)	C02, C03, C04		4"	N/C
Speedi-Set SW (2005)	L02, L03, L04		4"	28.00
Speedi-Set XH (2005)	LXH02, LXH03, LXH04		4"	28.00
Threaded(2010)	T02, T03, T04		3"	68.00
No-Hub (2005)	Y02, Y03, Y04		4"	N/C
	Y06		4"	250.00

OPTIONS:

Option	Description	ADD
-ARI	Acid Resistant Inside or Outside	236.00
-ARIO	Acid Resistant Inside & Outside	236.00
-BB	Bronze Body, 02-04"	734.00
	05-06"	2,255.00
-DID	Drain Installation Device	See Fig. 2038
-G	Galvanized Body	121.00
-P	Trap Primer Conn	15.00

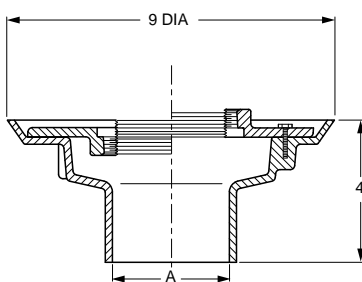
Higher Standpipe, over 6"	PB	NB	CP
Suffix Y, per inch	110.00	156.00	172.00
Suffix Z, per inch	221.00	242.00	266.00

A OUTLET SIZE	STRAINER SUFFIX	B STANDPIPE SIZE	X MIN MAX	DUCO CI PB TOP	DUCO CI †NB TOP	DUCO CI CP TOP	APPROX. WEIGHT LBS.
02, 03, 04"	Y	2	3/4 2 1/8	1,307.00	1,371.00	1,421.00	18
02, 03, 04"	Z	3	3/4 2 1/8	1,787.00	1,881.00	1,931.00	24

REGULARLY FURNISHED: Duco Cast Iron Body and Flashing Collar, Adjustable Strainer Head as Indicated by Suffix Letter Selected.

FIG. 2005 NO-HUB OUTLET FLOOR DRAIN BODY AND COLLAR ASSEMBLY

FUNCTION: General service floor drain for use in showers, toilets, kitchens and other finished areas where foot traffic is expected. Reversible flashing collar permits adjustment of the strainer to meet finished floor level.



OUTLET VARIATIONS (Specify type of outlet and pipe size in inches.)

Outlet Type	Outlet Designation	Outlet Type/Pipe Size	Body HT. DIM.	ADD
Speedi-Set SW	L02, L03, L04		4"	28.00
Speedi-Set XH	LXH02, LXH03, LXH04		4"	28.00
No-Hub	Y02, Y03, Y04, Y05, Y06		4"	N/C
	Y06		4"	250.00

OPTIONS:

Option	Description	ADD
-ARI	Acid Resistant Inside or Outside	236.00
-ARIO	Acid Resistant Inside & Outside	236.00
-BB	Bronze Body, 02-04"	734.00
	05-06"	2,255.00
-DID	Drain Installation Device	See Fig. 2038
-P050	1/2" Trap Primer Conn	15.00
-P075	3/4" Trap Primer Conn	15.00

A OUTLET SIZE	COLLAR DIA	†DUCO CI	GALV CI (-G)	APPROX. WEIGHT LBS.
02, 03, 04"	9	111.00	232.00	9
05, 06"	9	318.00	439.00	20

REGULARLY FURNISHED: Duco Cast Iron Body and Flashing Collar.

When ordering, specify drain body and strainer type, size and finish. Ex. 2005Y04 w/A05NB.

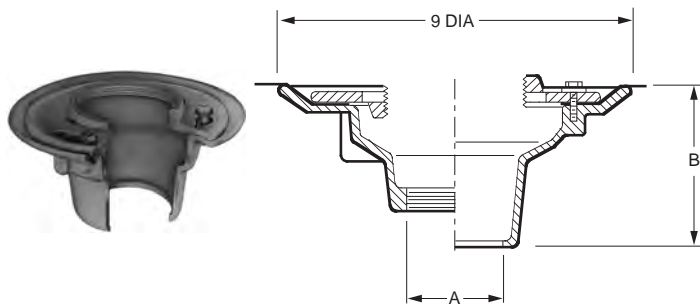


FLOOR DRAINS



FIG. 2010 CAULK OUTLET FLOOR DRAIN BODY AND COLLAR ASSEMBLY

FUNCTION: General service floor drain for use in showers, toilets, kitchens and other finished areas where foot traffic is expected. Reversible flashing collar permits adjustment of the strainer to meet finished floor level.



A OUTLET SIZE	COLLAR DIA	†DUCO CI	GALV CI (-G)	APPROX. WEIGHT LBS.
02, 03, 04"	9"	111.00	232.00	9
05, 06"	9"	318.00	439.00	20

REGULARLY FURNISHED: Duco Cast Iron Body and Flashing Collar.

OUTLET VARIATIONS (Specify type of outlet and pipe size in inches.)

Outlet Type	Outlet Designation Outlet Type/Pipe Size	B Body HT. DIM.	ADD
Inside Caulk	C02, C03, C04, C05, C06	4"	N/C
Threaded	T02, T03, T04, T05, T06	3"	68.00

OPTIONS:

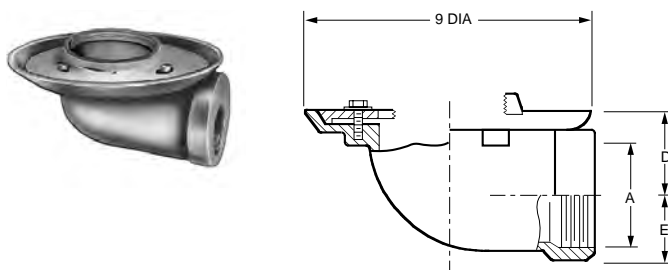
	ADD
-ARI Acid Resistant Inside or Outside	236.00
-ARIO Acid Resistant Inside & Outside	236.00
-BB Bronze Body, 02-04"	734.00
05-06"	2,285.00
-P050 1/2" Trap Primer Conn	15.00
-P075 3/4" Trap Primer Conn	15.00

Note: For body with adjustable strainer head and 4" DIA funnel see Figure 3510-F11.

FLOOR DRAINS

FIG. 2015 SIDE OUTLET FLOOR DRAIN BODY AND COLLAR ASSEMBLY

FUNCTION: General service side outlet floor drain for use in showers, toilets, kitchens and other finished areas where foot traffic is expected.



A OUTLET SIZE	COLLAR DIA	D	E	†DUCO CI	GALV. CI (-G)	APPROX. WEIGHT LBS.
02"	9"	2 3/4"	1 1/4"	248.00	369.00	12
03"	9"	2 3/4"	2 1/4"	248.00	369.00	12
04"	9"	3 1/4"	3 1/4"	305.00	424.00	13

REGULARLY FURNISHED: Duco Cast Iron Body and Flashing Collar.

OUTLET VARIATIONS (Specify type of outlet and pipe size in inches.)

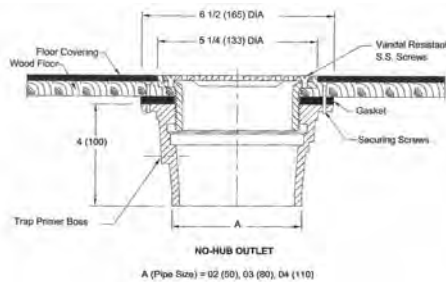
Outlet Type	Outlet Designation Outlet Type/Pipe Size	ADD
Inside Caulk	C04	N/C
Threaded	T02, T03, T04	68.00

OPTIONS:

	ADD
-P050 1/2" Trap Primer Conn	15.00
-P075 3/4" Trap Primer Conn	15.00

Note: For body with adjustable strainer head and 4" DIA funnel see Fig. 3515-F11.

FIG. 2010-WF-1A-CAN DRAIN FOR WOOD FLOOR



SIZE	DUCO CI	DUCO NB
02"-04"	224.00	246.00

REGULARLY FURNISHED: Duco Cast Iron Body with Adjustable Cast Iron Strainer Head and Grate.

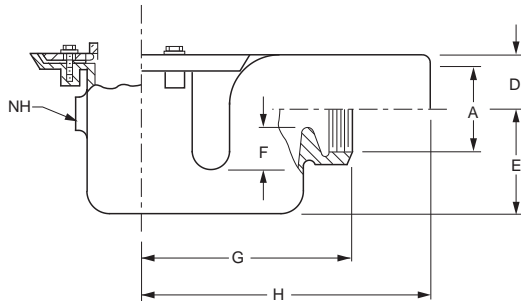


FLOOR DRAINS



FIG. 2020 SIDE OUTLET - SHALLOW TRAP FLOOR DRAIN BODY AND COLLAR ASSEMBLY FIG. 2021 SIDE OUTLET - SHALLOW TRAP FLOOR DRAIN BODY AND COLLAR ASSEMBLY

FUNCTION: General service side outlet floor drain for use in showers, toilets, kitchens and other finished areas where foot traffic is expected.



OUTLET VARIATIONS (Specify type of outlet and pipe size in inches.)

Outlet Type	Outlet Designation Outlet Type/Pipe Size	ADD
Spigot (2021)	S02, S03, S04	N/C
Threaded (2020)	T02, T03, T04	N/C

OPTIONS:		ADD
-NH	High Aux Inlet (Specify 1 1/2 or 2")	136.00
-P050	1/2" Trap Primer Conn	15.00
-P075	3/4" Trap Primer Conn	15.00

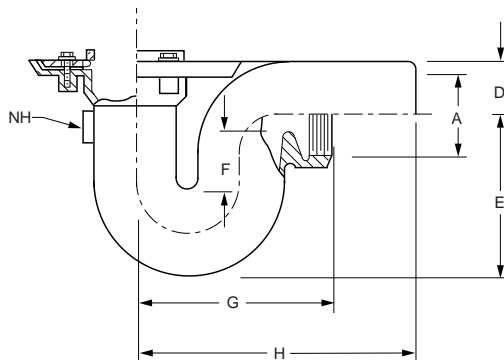
A OUTLET SIZE	D	E	F SEAL	G	H	†DUCO CI	GALV CI (-G)	APPROX WEIGHT LBS.
02"	1 3/4"	5"	2"	6 3/4"	9 1/2"	599.00	791.00	18
03"	2 1/4"	4 1/2"	2"	9"	12 1/4"	599.00	791.00	18
04"	3"	8 1/2"	2 1/2"	10"	12 3/4"	829.00	1,021.00	18

REGULARLY FURNISHED: Duco Cast Iron Body and Flashing Collar.

NOTE: For body with adjustable strainer head and 4" DIA funnel see Fig. 3520-F11, 3521-F11.

FIG. 2030 SIDE OUTLET - DEEP TRAP FLOOR DRAIN BODY AND COLLAR ASSEMBLY FIG. 2031 SIDE OUTLET - DEEP TRAP FLOOR DRAIN BODY AND COLLAR ASSEMBLY

FUNCTION: General service side outlet floor drain for use in showers, toilets, kitchens and other finished areas where foot traffic is expected.



OUTLET VARIATIONS (Specify type of outlet and pipe size in inches.)

Outlet Type	Outlet Designation Outlet Type/Pipe Size	ADD
Spigot (2031)	S02, S03, S04	N/C
Threaded (2030)	T02, T03, T04	N/C

OPTIONS:		ADD
-NH	High Auxiliary Inlet (Specify 1 1/2 or 2")	136.00
-P050	1/2" Trap Primer Conn	15.00
-P075	3/4" Trap Primer Conn	15.00

A OUTLET SIZE	D	E	F SEAL	G	H	†DUCO CI	GALV CI (-G)	APPROX WEIGHT LBS.
02"	1 3/4"	5 1/4"	2"	5"	8"	653.00	845.00	18
03"	2"	7"	2 1/4"	8"	10"	653.00	845.00	18
04"	3"	8 1/2"	2 1/2"	10"	12"	916.00	1,108.00	18

REGULARLY FURNISHED: Duco Cast Iron Body and Flashing Collar.

NOTE: For body with adjustable strainer head and 4" DIA funnel see Fig. 3530-F11, 3531-F11.

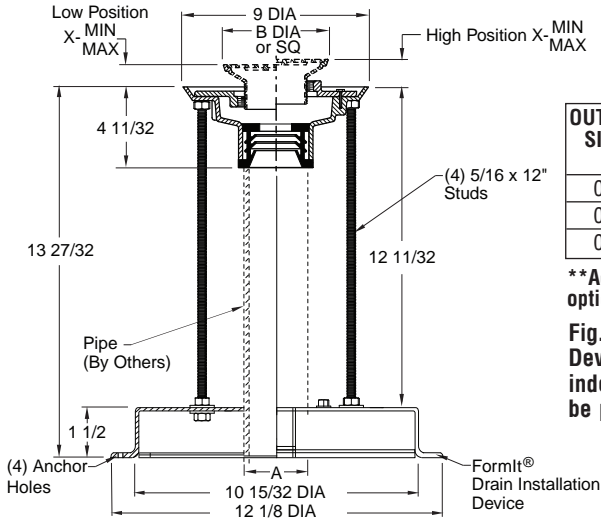


FLOOR DRAINS



FIG. 2038 FORMIT® DRAIN INSTALLATION DEVICE FOR SHOWER DRAINS

FUNCTION: The Jay R. Smith Mfg. Co.® Formit® Drain Installation Device is designed to stabilize the drain and provide adjustment during the installation process and allows final connection of outlet piping to drain after the concrete pour.



OUTLET SIZE	**BODY W/DRAIN INSTALLATION DEVICE
02	248.00
03	248.00
04	248.00

**Add price of strainer & options to price above.

Fig. 2038 Stabilizer Device cannot be sold independently. It must be purchased with body.

OUTLET VARIATIONS (Specify type of outlet and pipe size in inches.)

Outlet Type	Outlet Designation	Outlet Type/Pipe Size	ADD
Inside Caulk (2010)C02, C03, C044"N/C
Speedi-Set SW (2005)L02, L03, L044"28.00
Speedi-Set XH (2005)LXH02, LXH03, LXH044"28.00
Threaded(2010)T02, T03, T043"68.00
No-Hub (2005)Y02, Y03, Y044"N/C

OPTIONS:	ADD
-P050 1/2" Trap Primer Conn15.00
-P075 3/4" Trap Primer Conn15.00

For all other options, see Strainer Head Specified

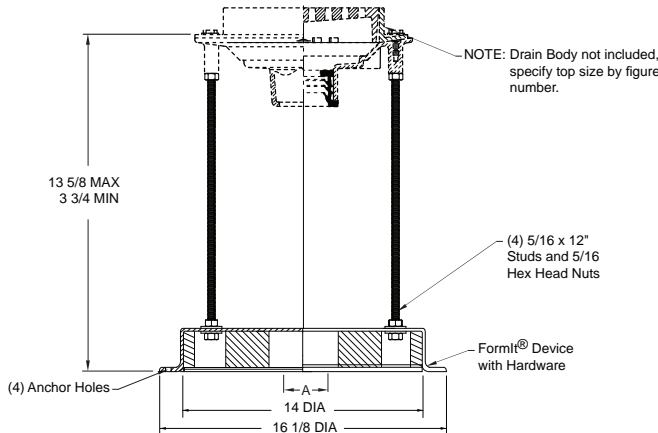
STRAINER SIZE B	*COLLAR IN HIGH POSITION X		*COLLAR IN LOW POSITION X		FREE AREA SQ IN	
	MIN	MAX	MIN	MAX	ROUND	SQUARE
05	1 1/4	2 1/4	3/4	1 5/8	7	6.5
06	1 1/4	2 1/4	3/4	1 5/8	9	12.5
07	1 1/4	2 1/4	7/8	1 7/8	14	11
08	1 1/2	2 1/2	1	1 7/8	17	14
*09	1 1/2	2 3/8	1	1 7/8	18	16
*10	1 1/2	2 3/8	1	1 7/8	23	16

REGULARLY FURNISHED: Duco Cast Iron Body with Speedi-Set Outlet and Adjustable Strainer Head (as specified) with Formit® Drain Installation Device and Hardware.

For available strainer heads, refer to Pages 178 to 185.

FIG. 2039-DID FORMIT® DRAIN INSTALLATION DEVICE FOR 8 1/2" & 12" DIA TOP CAST IRON FLOOR DRAINS

FUNCTION: The Jay R. Smith Mfg. Co.® Formit® Drain Installation Device is designed to stabilize the drain and provide adjustment during the installation process and allows final connection of outlet piping to drain after the concrete pour.



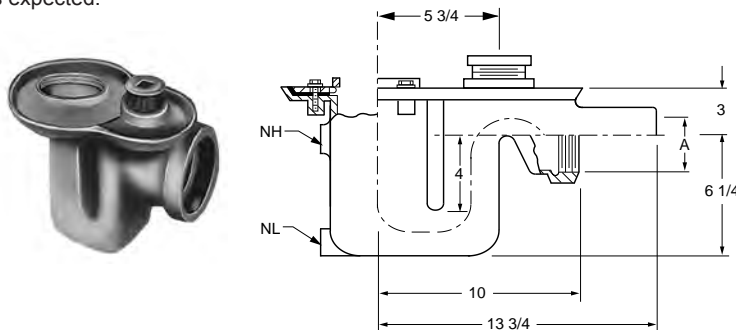
NOTE: For use with the following floor drains: 2110, 2120, 2220, 2310, 2320, 2350 and 2360. Refer to appropriate figure number for price.

For Pricing on 2039-DID only contact factory.

REGULARLY FURNISHED: Formit® Drain is Provided with Hardware. Stud Holes on 9 3/4" Bolt Circle for 8 1/2" Dia. Top Drain and 13 3/16" Bolt Circle for 12" Dia. Top Drains.

FIG. 2040 SIDE OUTLET - DEEP TRAP FLOOR DRAIN WITH FLOOR CLEANOUT BODY AND COLLAR ASSEMBLY FIG. 2041 SIDE OUTLET - DEEP TRAP FLOOR DRAIN WITH FLOOR CLEANOUT BODY AND COLLAR ASSEMBLY

FUNCTION: General service side outlet floor drain for use in showers, toilets, kitchens and other finished areas where foot traffic is expected.



OUTLET VARIATIONS (Specify type of outlet and pipe size in inches.)

Outlet Type	Outlet Designation	Outlet Type/Pipe Size	ADD
Spigot (2041)S02, S03, S04N/C
Threaded (2040)T02, T03, T04N/C

OPTIONS:	ADD
-NH High Auxiliary Inlet (Specify 1 1/2 or 2")136.00
-NL Low Auxiliary Inlet (Specify 1 1/2 or 2")136.00
-P050 1/2" Trap Primer Conn15.00
-P075 3/4" Trap Primer Conn15.00

NOTE: For body with adjustable strainer head and 4" DIA funnel see Fig. 3540-F11, 3541-F11.

A OUTLET SIZE	†DUCO CI	GALV CI -(G)	APPROX WEIGHT LBS.
02, 03, 04"	1,933.00	2,223.00	12

REGULARLY FURNISHED: Duco Cast Iron Body and Flashing Collar.



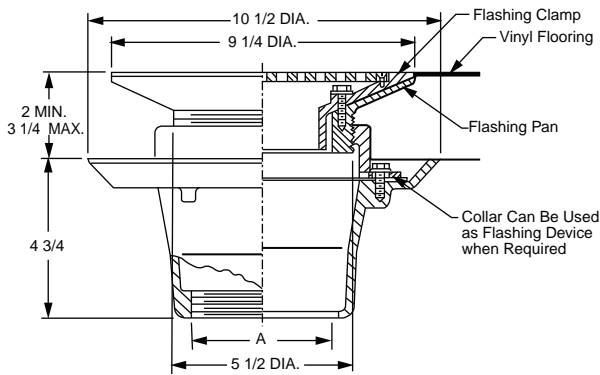
FLOOR DRAINS

FLOOR DRAINS

FIG. 2050 - ADJUSTABLE FLOOR OR SHOWER DRAIN - FLASHING STRAINER TYPE



FUNCTION: Designed for clamping Altro Vinyl Traffic Flooring or other waterproofing materials at the finished floor level.



A OUTLET SIZE	TOP SIZE	FREE AREA SQ IN	†DUCO CI W/NB TOP	APPROX. WEIGHT LBS
*02"	9 1/4"	15	784.00	27
03"	9 1/4"	15	784.00	27
04"	9 1/4"	15	784.00	27

REGULARLY FURNISHED: Duco Cast Iron Body with Flashing Collar and Nickel Bronze Adjustable Strainer.

OUTLET VARIATIONS (Specify type of outlet and pipe size in inches.)

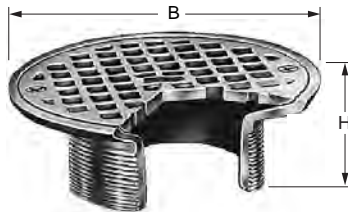
Outlet Type	Outlet Designation	Outlet Type/Pipe Size	ADD
Inside Caulk	C02*, C03, C04		N/C
No-Hub	Y02, Y03, Y04		See Fig. 2646Y
Threaded	T02, T03, T04		68.00

OPTIONS:	ADD
-CP Chrome Plated Top	130.00
-G Galvanized Body	121.00
-P050 1/2" Trap Primer Conn	15.00
-P075 3/4" Trap Primer Conn	15.00
-R Sump Receiver	181.00
-U Vandal Proof Screws	28.00
	DEDUCT
-PB Polished Bronze Top	N/C

*2" Inside Caulk Outlet only available by using 3" Inside Caulk Outlet with Caulk Reducer.

SUFFIX A - ADJUSTABLE STRAINER WITH ROUND GRATE

FUNCTION: Used in finished floors where foot traffic is anticipated.



OPTIONS:	ADD
-B Sediment Bucket	36.00
-BFV Ball Float Backwater Valve	253.00
-H Hinged Grate (6, 7 and 8" only)	168.00
-HP Heel Proof Grate	N/C
-U Vandal Proof Screws	28.00
-V Flapper Backwater Valve	253.00

List price for complete strainer & grate	
A05NBSS 5" NB Str w/SS Top	729.00
A06NBSS 6" NB Str w/SS Top	740.00

B TOP SIZE	H	PB TOP	†NB TOP	CP TOP	APPROX. WEIGHT LBS
05"	2"	131.00	131.00	194.00	3
06"	2"	200.00	200.00	265.00	4
07"	2 1/4"	298.00	298.00	325.00	5
08"	2 1/2"	442.00	442.00	443.00	6
09"	2 1/2"	555.00	591.00	650.00	9
10"	2 3/4"	555.00	591.00	650.00	12

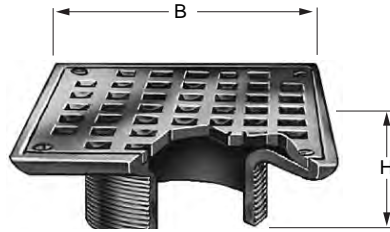
REGULARLY FURNISHED: Adjustable Round Strainer with Secured Grate.



FLOOR DRAINS

SUFFIX B - ADJUSTABLE STRAINER WITH SQUARE GRATE

FUNCTION: Used in finished floors where foot traffic is anticipated.



B TOP SIZE	H	PB TOP	†NB TOP	CP TOP	APPROX. WEIGHT LBS
05 x 05"	2"	298.00	337.00	356.00	2
06 x 06"	2"	365.00	393.00	412.00	3
07 x 07"	2 1/4"	459.00	502.00	521.00	5
08 x 08"	2 1/2"	563.00	636.00	655.00	7
09 x 09"	2 1/4"	760.00	841.00	860.00	8
10 x 10"	2 1/4"	1,012.00	1,095.00	1,114.00	12

REGULARLY FURNISHED: Adjustable Square Strainer with Secured Grate.

OPTIONS:

	ADD
-B Sediment Bucket	36.00
-BFV Ball Float Backwater Valve	253.00
-H Hinged Grate	168.00
-HP Heelproof Grate	N/C
-U Vandal Proof Screws	28.00
-V Flapper Backwater Valve	258.00

List price for complete str & grate

B05NBSS 5" NB Str w/SS Top	823.00
B06NBSS 6" NB Str w/SS Top	857.00

SUFFIX BS - ADJUSTABLE STRAINER WITH SQUARE HINGED SOLID COVER

FUNCTION: Used in areas where intermittent use is required. The solid cover prevents intrusion of chips, sawdust, etc., which are swept up before cover is opened for washdown.



TOP SIZE	PB TOP	†NB TOP	CP TOP	APPROX. WEIGHT LBS
06 x 06"	668.00	785.00	1,006.00	4

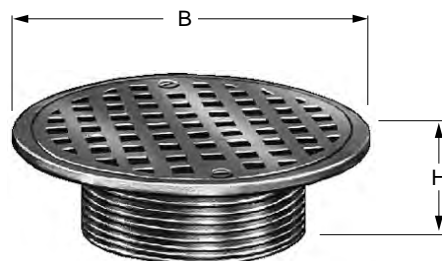
REGULARLY FURNISHED: Adjustable Square Strainer with Solid Hinged Cover.

OPTIONS:

	ADD
-B Sediment Bucket	81.00
-GC Gasketed Water Tight	50.00
-SEC Secured Cover	40.00
-SG Secondary Strainer	38.00
-U Vandal Proof Screws	40.00

SUFFIX C - ADJUSTABLE STRAINER WITH ROUND REINFORCED GRATE

FUNCTION: Used in finished floors where light wheeled loads are anticipated.



B TOP SIZE	H	PB TOP	†NB TOP	CP TOP	APPROX. WEIGHT LBS
05"	2"	291.00	304.00	319.00	4
06"	2"	332.00	367.00	390.00	6
08"	2 1/2"	500.00	526.00	562.00	8
10"	2 3/4"	680.00	716.00	775.00	10

REGULARLY FURNISHED: Adjustable Round Strainer with Reinforced Secured Grate.

OPTIONS:

	ADD
-B Sediment Bucket	36.00
-BFV Ball Float Backwater Valve	253.00
-U Vandal Proof Screws	28.00
-V Flapper Backwater Valve	253.00

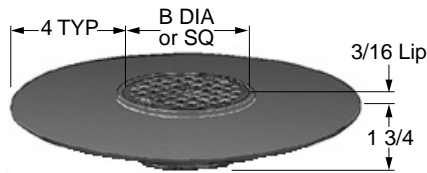
FLOOR DRAINS



FLOOR DRAINS

SUFFIX DXA - ADJUSTABLE WIDE FLANGE STRAINER WITH ROUND GRATE SUFFIX DXB - ADJUSTABLE WIDE FLANGE STRAINER WITH SQUARE GRATE

FUNCTION: Used in any floor or shower area. Four inch wide flange allows ample surface adhesion of traffic bearing deck covering.



OPTIONS:		ADD
-B	Sediment Bucket	36.00
-LWH	Less Weep Holes (Specify Reversible Collar Less Weep Holes)	N/C
-SH	Securing Holes in Flange	74.00
-U	Vandal Proof Screws	28.00

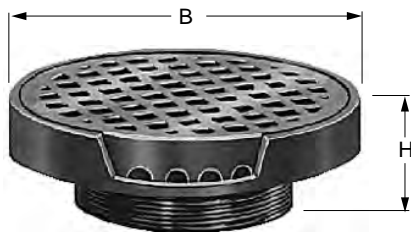
B TOP SIZE	PB TOP	†NB TOP	CP TOP	APPROX. WEIGHT LBS
05"	603.00	619.00	659.00	18
06"	697.00	730.00	804.00	20

REGULARLY FURNISHED:

Adjustable Wide Flange Strainer with Round (A) or Square (B) Secured Grate.

SUFFIX D, E - ADJUSTABLE STRAINER WITH ROUND REINFORCED TRACTOR GRATE

FUNCTION: Used in finished floors where medium weight wheeled loads are anticipated and loose set non-tilt tractor grate is desired.



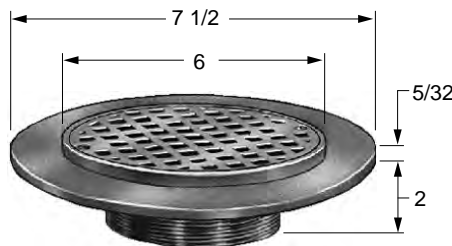
OPTIONS:		ADD
-B	Sediment Bucket	36.00
-BFV	Ball Float Backwater Valve	253.00
-U	Vandal Proof Screws	28.00
-V	Flapper Backwater Valve.....	318.00

STRAINER SUFFIX	B TOP SIZE	H	†DUCO CI	PB TOP	NB TOP	CP TOP	APPROX. WEIGHT LBS
D	07"	3 1/4"	122.00	468.00	494.00	616.00	10
E	09"	3 1/2"	181.00	701.00	494.00	905.00	13

REGULARLY FURNISHED: Adjustable Strainer with Round Reinforced Tractor Grate.

SUFFIX F - ADJUSTABLE TILE FLANGE STRAINER WITH ROUND GRATE

FUNCTION: Provides integral flange set 5/32" below rim to receive floor covering. Flange may have option of tapped holes for securing pan and gasket.



OPTIONS:		ADD
-B	Sediment Bucket	36.00
-BFV	Ball Float Backwater Valve	253.00
-SH	Tapped Holes in Flange	74.00
-U	Vandal Proof Screws	28.00
-V	Flapper Backwater Valve.....	253.00

TOP SIZE	PB TOP	†NB TOP	CP TOP	APPROX. WEIGHT LBS
6"	992.00	1,046.00	1,096.00	5

REGULARLY FURNISHED:

Adjustable Tile Flange Strainer with Round Secured Grate.



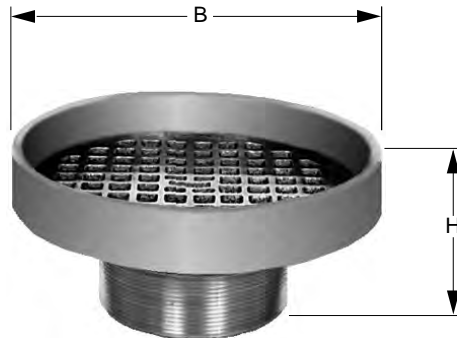
FLOOR DRAINS

SUFFIX F37, F38 - ADJUSTABLE STRAINER WITH ROUND RECESSED GRATE



FUNCTION: Used in a non-traffic area when a funnel type strainer head is required and space does not allow use of the 3500 Series funnel. The extended rim allows use as an anti-flood and anti-splash drip pan.

OPTIONS:	ADD
-B Sediment Bucket	36.00
-G Galvanized, F37 (add to CI)	86.00
-G Galvanized, F38 (add to CI)	201.00
-U Vandal Proof Screws	28.00



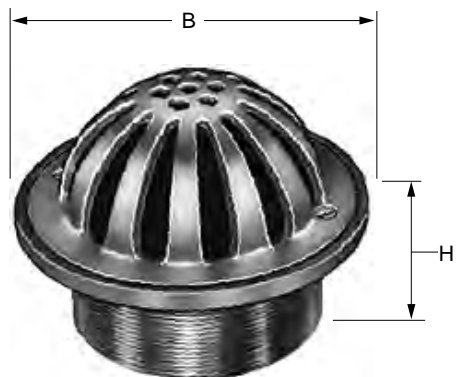
STRAINER SUFFIX	B TOP SIZE	H	†DUCO CI	PB TOP	NB TOP	CP TOP	APPROX. WEIGHT LBS
F37	07"	3 1/4"	209.00	528.00	554.00	618.00	10
F38	09"	3 1/2"	286.00	715.00	752.00	916.00	13

REGULARLY FURNISHED: Adjustable Round Strainer with Anti-Flood Rim and Grate.

SUFFIX G - ADJUSTABLE STRAINER WITH ROUND LOW DOME GRATE

FUNCTION: Used in gutters and recessed areas where excessive debris build-up is expected. Dome insures drainage even when partly covered.

OPTIONS:	ADD
-B Sediment Bucket	36.00
-BFV Ball Float Backwater Valve	253.00
-MS SS Mesh on Dome	213.00
-U Vandal Proof Screws	28.00
-V Flapper Backwater Valve.....	318.00



B TOP SIZE	H	PB TOP	†NB TOP	CP TOP	APPROX. WEIGHT LBS
05"	2"	164.00	208.00	248.00	3
06"	2"	202.00	255.00	295.00	4
08"	2 1/2"	469.00	504.00	554.00	7

REGULARLY FURNISHED: Adjustable Round Strainer with Secured Dome Grate.

FLOOR DRAINS



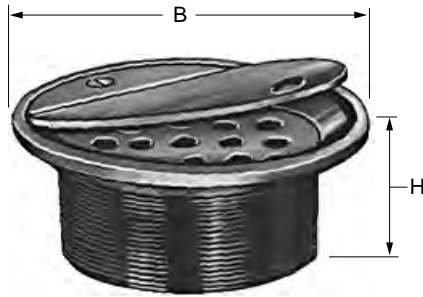
FLOOR DRAINS

SUFFIX H - ADJUSTABLE STRAINER WITH ROUND SOLID HINGED COVER



FUNCTION: Used in areas where intermittent drain use is required. Solid cover prevents intrusion of chips, sawdust, etc., which are swept up before cover is opened for washdown. The secondary strainer prevents debris from entering the waste line.

OPTIONS:		ADD
-BFV	Ball Float Backwater Valve	253.00
-U	Vandal Proof Screws	28.00
-V	Flapper Backwater Valve.....	318.00



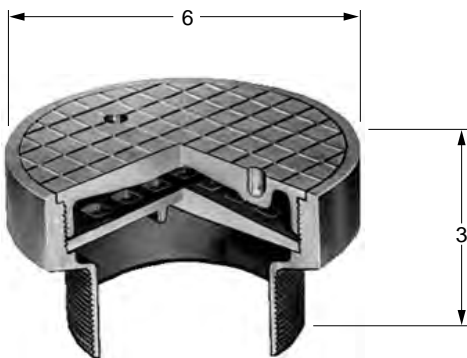
B TOP SIZE	H	PB TOP	†NB TOP	CP TOP	APPROX. WEIGHT LBS
05"	2"	376.00	395.00	435.00	4
06"	2"	643.00	679.00	719.00	5
07"	2 1/4"	974.00	1,025.00	1,065.00	6
08"	2 1/2"	988.00	1,042.00	1,082.00	7

REGULARLY FURNISHED: Adjustable Round Strainer with Hinged Solid Cover and Secondary Strainer.

SUFFIX J - ADJUSTABLE STRAINER WITH ROUND SPANNER WRENCH COVER

FUNCTION: Solid gas tight, vandal proof, threaded cover for areas where intermittent drain use is required.

OPTIONS:		ADD
-BFV	Ball Float Backwater Valve	253.00
-SC	Smooth Cover	123.00
-SW	Spanner Wrench.....	97.00
-V	Flapper Backwater Valve.....	253.00



TOP SIZE	PB TOP	†NB TOP	CP TOP	APPROX. WEIGHT LBS
06"	735.00	775.00	825.00	6

REGULARLY FURNISHED: Adjustable Round Strainer with Spanner Wrench Cover and Secondary Strainer.



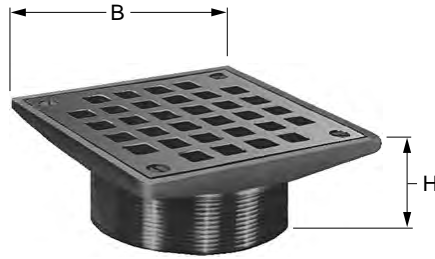
FLOOR DRAINS

SUFFIX K - ADJUSTABLE STRAINER WITH SQUARE REINFORCED GRATE

FUNCTION: Used in finished floors where some light wheeled traffic is anticipated.



OPTIONS:		ADD
-B	Sediment Bucket	36.00
-BFV	Ball Float Backwater Valve	253.00
-U	Vandal Proof Screws	28.00
-V	Flapper Backwater Valve.....	253.00



B TOP SIZE	H	PB TOP	†NB TOP	CP TOP	APPROX. WEIGHT LBS
05 x 05"	2"	311.00	340.00	376.00	5
06 x 06"	2"	390.00	419.00	457.00	7
07 x 07"	2 1/4"	466.00	494.00	541.00	8
08 x 08"	2 1/2"	582.00	637.00	701.00	9

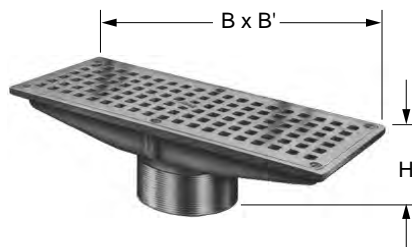
REGULARLY FURNISHED: Adjustable Square Strainer with Reinforced Secured Gate

FLOOR DRAINS

SUFFIX L, M, N, P, R, T - ADJUSTABLE STRAINER WITH RECTANGULAR GRATE

FUNCTION: Used in shower room, gutters and similar areas where large grate free area is required and limited width is available.

OPTIONS:		ADD
-B	Sediment Bucket	36.00
-U	Vandal Proof Top	28.00



STRAINER SUFFIX	B x B TOP SIZE	H	PB TOP	†NB TOP	CP TOP	APPROX. WEIGHT LBS
L	4 1/2 x 8"	2 1/4"	376.00	394.00	578.00	8
M	4 x 12"	2 1/2"	561.00	659.00	723.00	10
N	5 x 9"	2 1/4"	376.00	394.00	578.00	12
P	5 x 13"	3"	409.00	428.00	829.00	15
R	6 x 10"	2 1/4"	673.00	755.00	829.00	17
T	5 x 17"	3"	879.00	926.00	946.00	20

REGULARLY FURNISHED: Adjustable Rectangular Strainer with Secured Gate.



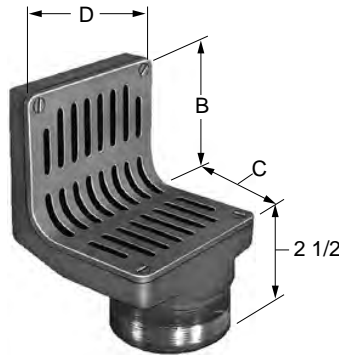
FLOOR DRAINS

SUFFIX V, W - ADJUSTABLE STRAINER WITH ANGLE GRATE



FUNCTION: Shower room drain set at wall and floor junction. Vertical grate openings prevent drain stoppage should flat surface become covered.

OPTIONS:
 -U Vandal Proof Top **ADD 28.00**

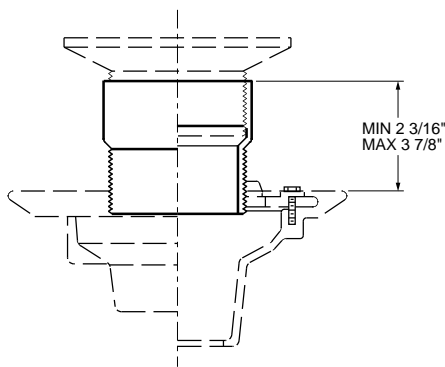


STRAINER SUFFIX	TOP SIZE			PB TOP	†NB TOP	CP TOP	APPROX. WEIGHT LBS
	B	C	D				
V	3 1/2"	3 1/2"	4 1/2"	460.00	487.00	1,184.00	10
W	6 3/4"	6 3/4"	6 1/2"	727.00	765.00	1,507.00	19

REGULARLY FURNISHED: Adjustable Angle Strainer with Secured Grate.

SUFFIX X - ADJUSTABLE STRAINER EXTENSION ADAPTOR

FUNCTION: Used when strainer head must be raised to meet deeper floor fill.



†DUCO CI (2010X)	GALV CI (2010XG)	CAST BRONZE (2010XCB)	APPROX. WEIGHT LBS
69.00	140.00	386.00	5

REGULARLY FURNISHED:
 Duco Cast Iron Adjustable Extension Adaptor.

NOTE: Extensions can be stacked for increased maximum adjustment.



FLOOR DRAINS

SUFFIX Y, Z - ADJUSTABLE OVERFLOW STRAINER WITH STANDPIPE

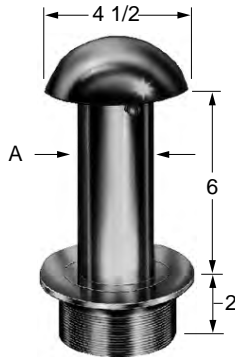


FUNCTION: Used as overflow drain in decorative pools, fish ponds or similar areas. Dome prevents floating objects from entering drain line.

OPTIONS:

-Higher Standpipe, over 6"	PB	NB	CP
Suffix Y, per inch	110.00	156.00	172.00
Suffix Z, per inch	221.00	242.00	266.00

ADD



STRAINER SUFFIX	STANDPIPE		PB TOP	†NB TOP	CP TOP	APPROX. WEIGHT LBS
	A DIA	HEIGHT				
Y	2"	6"	1,196.00	1,260.00	1,386.00	9
Z	3"	6"	1,676.00	1,770.00	1,947.00	15

REGULARLY FURNISHED: Adjustable Overflow Strainer with Standpipe and Dome.

FLOOR DRAINS

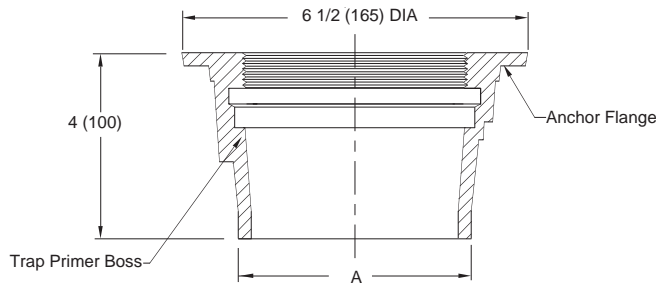
SQ-4-1753Y BODY ONLY NON MEMBRANE

FUNCTION: Used in finished floors where light wheeled loads or heavy foot traffic are anticipated.

OPTIONS:

-B	Sediment Bucket	32.00
-BFV	Ball Float Backwater Valve	56.00
-U	Vandal Proof Grate	26.00
-V	Flapper Type Backwater Valve	235.00

ADD



Available Strainers

A05M-4	(5" Round DI HD)	38.00
A05NB-4	(5" Round NB)	119.00
A06NB-4	(6" Round NB)	183.00
A05NB-4HD	(5" Round HD NB)	146.00

A Pipesize	Body Height	Body Only	Weight Lbs
2-3-4	4"	83.00	4

Contact your local rep for Submittal or visit www.jrsmith.com/canada

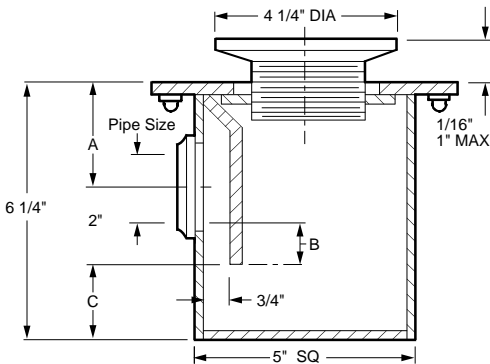


FLOOR DRAINS

FIG. 2016 PENAL USE VANDAL PROOF SHOWER DRAIN



FUNCTION: General service floor drain with internal trap seal and side outlet for use in prison cells.



OUTLET VARIATIONS (Specify type of outlet and pipe size in inches.)

Outlet Type	Outlet Designation Outlet Type/Pipe Size	ADD
Threaded.....	T0150, T02, T03	N/C

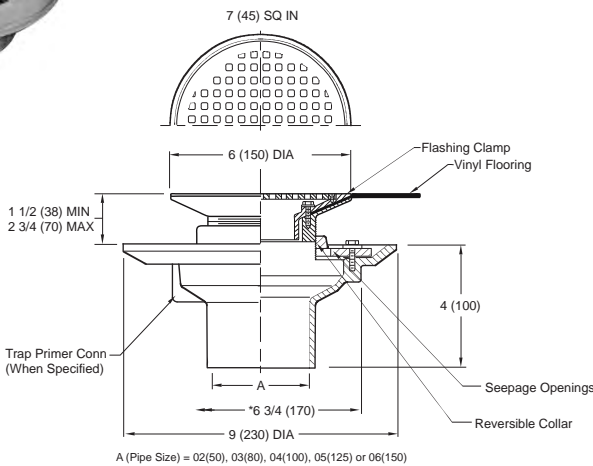
OUTLET SIZE	A	B (TRAP SEAL)	C	†PB TOP	NB TOP	CP TOP	APPROX. WEIGHT LBS
0150"	2 1/2"	1 1/4"	1 3/4"	867.00	715.00	861.00	25
02"	2 1/2"	1"	1 3/4"	867.00	715.00	861.00	25
03"	3"	1/2"	1 1/4"	772.00	796.00	942.00	25

REGULARLY FURNISHED: Galvanized Fabricated Steel Body, Flanged Deck Top, Vandal Proof Polished Bronze Adjustable Strainer Head, Integral Trap and Threaded Outlet.

FIG. 2051 SURFACE FLOOR DRAINS VINYL FLOORS



FUNCTION: General service floor drain with internal trap seal and auxiliary inlets for use in showers, toilets, kitchens and other finished areas where foot traffic is expected. The optional auxiliary inlets allows for connecting of additional drain lines.



OUTLET VARIATIONS (Specify type of outlet and pipe size in inches.)

Outlet Type	Outlet Designation Outlet Type/Pipe Size	ADD
No-Hub.....	Y02, Y03, Y04	N/C

OPTIONS:

-U	Vandal Proof.....	28.00
-P	Trap Primer 1/2".....	15.00
-G	Galvanized Body.....	121.00
-SP	Seal Plug.....	N/C
-B	Bucket.....	36.00

REGULARLY FURNISHED: Duco Cast Iron Body with Integral Trap and 1" NPT Plug and Flashing Collar and Satin Nickel Bronze Adjustable Strainer Head as Indicated by Suffix Letter Selected.

SIZE	TOP	PB	NB	CP
2-3-4	6"	560.00	476.00	540.00

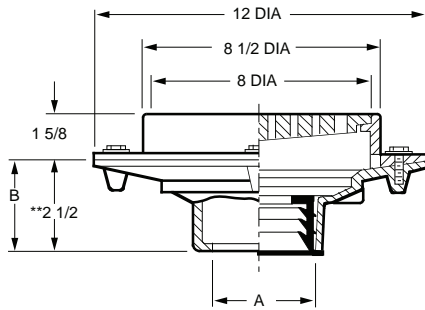


FLOOR DRAINS



FIG. 2110 MEDIUM DUTY FLOOR DRAIN WITH 8 1/2" ROUND TOP

FUNCTION: Used in moderate traffic areas where waste water contains no sediment or debris and floor construction requires shallow drain body. Body flange and flashing collar serve as anchor in on-grade locations and as flashing clamp when installed in waterproof floors.



**This dimension to internal stop of Speedi-Set Gasket

A OUTLET SIZE	TOP SIZE	FREE AREA SQ IN	†DUCO CI	DUCO CI PB TOP	DUCO CI NB TOP	APPROX. WEIGHT LBS
02, 03, 04"	8 1/2"	14.25	426.00	748.00	786.00	24
05, 06"	8 1/2"	14.25	508.00	830.00	870.00	30

REGULARLY FURNISHED: Duco Cast Iron Body and Flashing Collar with Cast Iron Bar Grate.

OUTLET VARIATIONS (Specify type of outlet and pipe size in inches.)

Outlet Type	Outlet Designation Outlet Type/Pipe Size	"B" Body HT. DIM.	ADD
Inside Caulk	C02, C03, C046	3 3/4"	N/C
Speedi-Set SW	L02, L03, L04	3 3/4"	28.00
Speedi-Set XH	LXH02, LXH03, LXH04	3 3/4"	28.00
Threaded	T02, T03, T04, T05, T06	2"	57.00
No-Hub	Y02, Y03, Y04, Y05, Y06	3 3/4"	N/C

OPTIONS:

Option	Description	ADD
-B	Sediment Bucket	103.00
-BG	Galv Sediment Bucket	140.00
-D	Dome Grate, CI	50.00
-DG	Deflector Grate (CI)	148.00
-DID*	Drain Installation Device	125.00
-DNB	Dome Grate, add to CI	554.00
-DPB	Dome Grate, add to CI	441.00
-FBS	Alum Flat Bottom Strainer	41.00
-G	Galvanized CI	444.00
-H	Hinged Grate	156.00
-M	Ductile Iron Grate	380.00
-P	Trap Primer Conn***	15.00
-S	Square Top, CI	196.00
-SNB	Square Top, add to CI	571.00
-SPB	Square Top, add to CI	472.00
-U	Vandal Proof Grate	124.00
-XP	Closure Plug, 02, 03"	238.00
	04"	400.00
	05, 06"	N/A

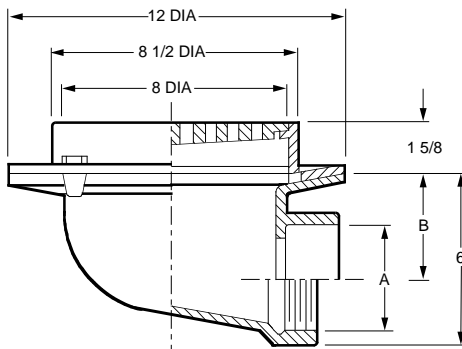
*Requires body modifications. Must be shipped complete w/drain from the factory.

***Not available on 2110T Threaded Option

FLOOR DRAINS

FIG. 2115 MEDIUM DUTY FLOOR DRAIN WITH 8 1/2" ROUND TOP

FUNCTION: Used in moderate traffic areas where waste water contains no sediment or debris and floor construction requires shallow drain body. Body flange and flashing collar serve as anchor in on-grade locations and as flashing clamp when installed in waterproof floors.



A OUTLET SIZE	TOP SIZE	FREE AREA SQ IN	B	†DUCO CI	DUCO CI PB TOP	DUCO CI NB TOP	APPROX. WEIGHT LBS
02"	8 1/2"	14.25	4 1/4"	809.00	1,131.00	1,169.00	33
03"	8 1/2"	14.25	3 3/4"	809.00	1,131.00	1,169.00	33
04"	8 1/2"	14.25	3 1/4"	809.00	1,131.00	1,169.00	33

REGULARLY FURNISHED: Duco Cast Iron Body and Flashing Collar with Cast Iron Bar Grate.

OUTLET VARIATIONS (Specify type of outlet and pipe size in inches.)

Outlet Type	Outlet Designation Outlet Type/Pipe Size	Body HT. DIM.	ADD
Inside Caulk	C02, C03, C04	6"	N/C
Threaded	T02, T03, T04	6"	57.00
No-Hub			See Fig. 2646Y

OPTIONS:

Option	Description	ADD
-B	Sediment Bucket	103.00
-BG	Galv Sediment Bucket	140.00
-D	Dome Grate, CI	50.00
-DG	Deflector Grate (CI)	148.00
-DNB	Dome Grate, add to CI	554.00
-DPB	Dome Grate, add to CI	441.00
-G	Galvanized CI	444.00
-H	Hinged Grate	156.00
-M	Ductile Iron Grate	380.00
-P	Trap Primer Conn	15.00
-S	Square Top, CI	196.00
-SNB	Square Top, add to CI	571.00
-SPB	Square Top, add to CI	472.00
-U	Vandal Proof Grate	124.00

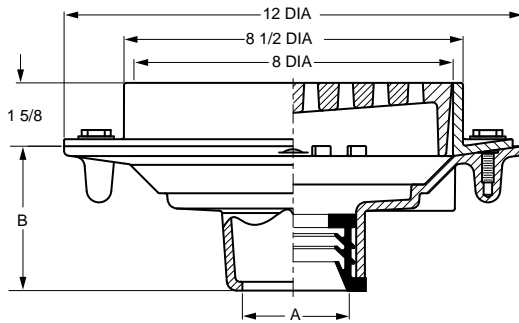


FLOOR DRAINS

FIG. 2120 HEAVY DUTY FLOOR DRAIN WITH 8 1/2" ROUND TOP W/ TRACTOR GRATE



FUNCTION: Used in heavy traffic areas where waste water contains no sediment or debris and floor construction requires shallow drain body. Body flange and flashing collar serve as anchor in on-grade locations and as flashing clamp when installed in waterproof floors.



A OUTLET SIZE	TOP SIZE	FREE AREA SQ IN	†DUCO CI	DUCO CI PB TOP	DUCO CI NB TOP	APPROX. WEIGHT LBS
02, 03, 04"	8 1/2"	13	500.00	837.00	911.00	21

REGULARLY FURNISHED: Duco Cast Iron Body and Flashing Collar with Cast Iron Tractor Grate.

OUTLET VARIATIONS (Specify type of outlet and pipe size in inches.)

Outlet Type	Outlet Designation Outlet Type/Pipe Size	"B" Body HT. DIM.	ADD
Inside Caulk	C02, C03, C04	3 3/4"	N/C
Speedi-Set SW	L02, L03, L04	3 3/4"	28.00
Speedi-Set XH	LXH02, LXH03, LXH04	3 3/4"	28.00
Threaded	T02, T03, T04	2"	68.00
No-Hub	Y02, Y03, Y04	3 3/4"	N/C

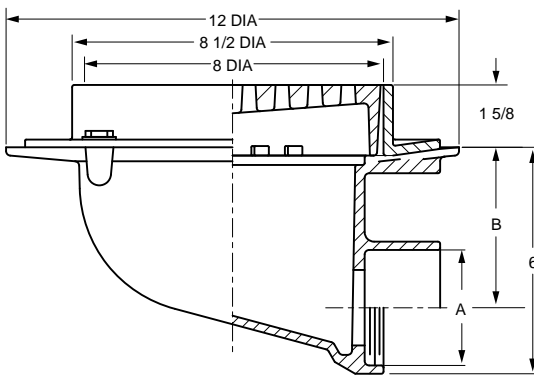
OPTIONS:	ADD
-B Sediment Bucket	103.00
-BG Galv Sediment Bucket	140.00
-DID* Drain Installation Device	125.00
-FBS Alum Flat Bottom Strainer	36.00
-G Galvanized CI	293.00
-M Ductile Iron Grate	380.00
-P Trap Primer Conn**	122.00
-S Square Top, CI	92.00
-SNB Square Top, add to CI	324.00
-SPB Square Top, add to CI	374.00
-U Vandal Proof Grate	124.00
-XP Closure Plug, 02", 03" 04"	238.00 400.00

*Requires body modifications. Must be shipped complete w/drain from the factory.

**Not available on 2120T Threaded Option.

FIG. 2125 HEAVY DUTY FLOOR DRAIN WITH 8 1/2" ROUND TOP W/TRACTOR GRATE

FUNCTION: Used in heavy traffic areas where waste water contains no sediment or debris and floor construction requires shallow drain body. Body flange and flashing collar serve as anchor in on-grade locations and as flashing clamp when installed in waterproof floors.



A OUTLET SIZE	TOP SIZE	FREE AREA SQ IN	B	†DUCO CI	DUCO CI PB TOP	DUCO CI NB TOP	APPROX. WEIGHT LBS
02"	8 1/2"	13	4 1/4"	758.00	1,085.00	1,169.00	21
03"	8 1/2"	13	3 3/4"	758.00	1,085.00	1,169.00	21
04"	8 1/2"	13	3 1/4"	758.00	1,085.00	1,169.00	21

REGULARLY FURNISHED: Duco Cast Iron Body and Flashing Collar with Cast Iron Tractor Grate.

OUTLET VARIATIONS (Specify type of outlet and pipe size in inches.)

Outlet Type	Outlet Designation Outlet Type/Pipe Size	ADD
Inside Caulk	C02, C03, C04, C05, C06	N/C
Threaded	T02, T03, T04, T05, T06	68.00
No-Hub		See Fig. 2646Y

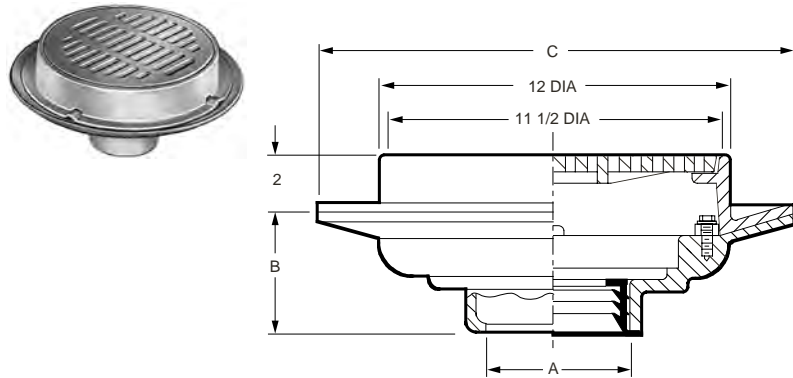
OPTIONS:	ADD
-B Sediment Bucket	103.00
-BG Galv Sediment Bucket	140.00
-G Galvanized CI	293.00
-M Ductile Iron Grate	144.00
-P Trap Primer Conn	122.00
-S Square Top, CI	217.00
-SNB Square Top, add to CI	449.00
-SPB Square Top, add to CI	509.00
-U Vandal Proof Grate	124.00

FLOOR DRAINS



FIG. 2130 MEDIUM DUTY FLOOR DRAIN WITH 12" ROUND TOP

FUNCTION: Used in moderate traffic areas where waste water contains no sediment or debris and floor construction requires a shallow drain. Body flange and flashing collar serve as anchor in on-grade locations and as flashing clamp when installed in waterproof floors.



A OUTLET SIZE	TOP SIZE	FREE AREA SQ IN	C DIA.	†DUCO CI	DUCO CI PB TOP	DUCO CI NB TOP	APPROX. WEIGHT LBS
02, 03, 04"	12"	28.5	16"	637.00	1,032.00	1,094.00	45
05, 06"	12"	28.5	16"	637.00	1,032.00	1,094.00	45

REGULARLY FURNISHED: Duco Cast Iron Body and Flashing Collar with Cast Iron Bar Grate.

OUTLET VARIATIONS (Specify type of outlet and pipe size in inches.)

Outlet Type	Outlet Designation	Outlet Type/Pipe Size	"B" Body HT. DIM.	ADD
Inside Caulk	C02, C03, C04, C05, C06		3 3/4"	N/C
Speedi-Set SW	Not Available			Specify Fig. 2131
Speedi-Set XH	Not Available			Specify Fig. 2131
Threaded	T02, T03, T04, T05, T06		3 3/4"	57.00
No-Hub	Not Available			Specify Fig. 2131

OPTIONS:	ADD
-B Sediment Bucket (Caulk & Threaded)	156.00
-D Dome Grate, CI	84.00
-DG Deflector Grate (CI)	242.00
-DID Drain Installation Device	125.00
-DNB Dome Grate, add to CI	753.00
-DPB Dome Grate, add to CI	647.00
-FBSCI Flat Bottom Strainer, CI	36.00
-FP Frost Proof Bucket	182.00
-G Galvanized CI	444.00
-H Hinged Grate	156.00
-M Ductile Iron Grate	380.00
-S Square Top, CI	208.00
-SC Solid Scoriated Cover	354.00
-SNB Square Top, add to CI	753.00
-SPB Square Top, add to CI	654.00
-U Vandal Proof Grate	124.00

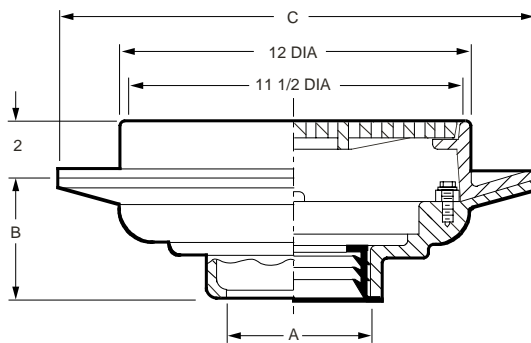
NOTE: Trap Primer not available, specify 2131.

FLOOR DRAINS

FIG. 2131 MEDIUM DUTY FLOOR DRAIN WITH 12" ROUND TOP

FUNCTION: Used in moderate traffic areas where waste water contains no sediment or debris and floor construction requires a shallow drain. Body flange and flashing collar serve as anchor in on-grade locations and as flashing clamp when installed in waterproof floors.

2131
Same as
2130 but
with deep
body



A OUTLET SIZE	TOP SIZE	FREE AREA SQ IN	C DIA.	†DUCO CI	DUCO CI PB TOP	DUCO CI NB TOP	APPROX. WEIGHT LBS
02, 03, 04"	12"	28.5	15 1/4"	774.00	1,169.00	1,231.00	55
05, 06"	12"	28.5	15 1/4"	774.00	1,169.00	1,231.00	55

REGULARLY FURNISHED: Duco Cast Iron Body and Flashing Collar with Cast Iron Bar Grate.

OUTLET VARIATIONS (Specify type of outlet and pipe size in inches.)

Outlet Type	Outlet Designation	Outlet Type/Pipe Size	"B" Body HT. DIM.	ADD
Inside Caulk	C02, C03, C04, C05, C06		5"	N/C
Speedi-Set SW	L02, L03, L04		5"	28.00
Speedi-Set XH	LXH02, LXH03, LXH04		5"	28.00
Threaded	T02, T03, T04		3 3/4"	57.00
No-Hub	Y02, Y03, Y04, Y05, Y06		5"	N/C

OPTIONS:	ADD
-B Sediment Bucket	156.00
-D Dome Grate, CI	84.00
-DG Deflector Grate (CI)	242.00
-DID Drain Installation Device	125.00
-DNB Dome Grate, add to CI	753.00
-DPB Dome Grate, add to CI	647.00
-FBSCI Flat Bottom Strainer, CI	36.00
-FP Frost Proof Bucket	182.00
-G Galvanized CI	444.00
-H Hinged Grate	156.00
-M Ductile Iron Grate	380.00
-P Trap Primer Conn.	99.00
-S Square Top, CI	208.00
-SC Solid Scoriated Cover	354.00
-SNB Square Top, add to CI	753.00
-SPB Square Top, add to CI	654.00
-U Vandal Proof Grate	124.00

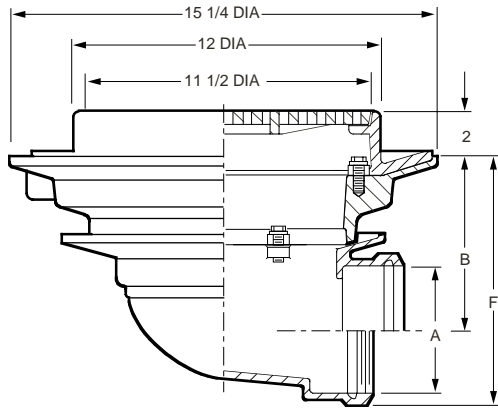


FLOOR DRAINS

FIG. 2135 MEDIUM DUTY FLOOR DRAIN WITH 12" ROUND TOP



FUNCTION: Used in moderate traffic areas where waste water contains no sediment or debris and floor construction requires a shallow drain. Body flange and flashing collar serve as anchor in on-grade locations and as flashing clamp when installed in waterproof floors.



A OUTLET SIZE	TOP SIZE	FREE AREA SQ IN	B	†DUCO CI	DUCO CI PB TOP	DUCO CI NB TOP	APPROX. WEIGHT LBS
02"	12"	28.5	6 7/8	1,036.00	1,431.00	1,493.00	51
03"	12"	28.5	6 3/8	1,036.00	1,431.00	1,493.00	51
04"	12"	28.5	5 7/8	1,036.00	1,431.00	1,493.00	51
05"	12"	28.5	5	1,036.00	1,431.00	1,493.00	51
06"	12"	28.5	4 1/2	1,036.00	1,431.00	1,493.00	51

REGULARLY FURNISHED: Duco Cast Iron Body and Flashing Collar with Cast Iron Bar Grate.

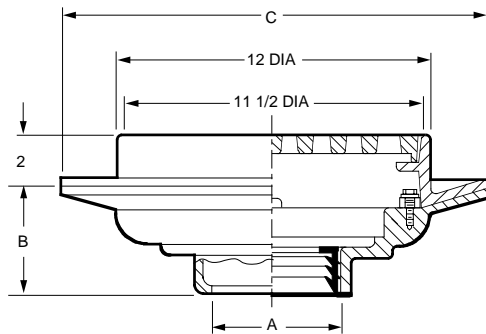
OUTLET VARIATIONS (Specify type of outlet and pipe size in inches.)

Outlet Type	Outlet Designation Type/Pipe Size	"F" Body HT. DIM.	ADD
Inside Caulk	C02	8 5/8"	N/C
	C03, C04	8 3/4"	N/C
	C05, C06	8 1/2"	N/C
Threaded	T02	8 5/8"	57.00
	T03, T04	8 3/4"	57.00
	T05, T06	8 1/2"	57.00
No-Hub	Y02	8 5/8"	N/C
	Y03, Y04	8 3/4"	N/C
	Y05, Y06	See Fig. 2646Y	

OPTIONS:	ADD
-ARI ARC Inside	614.00
-ARIO ARC In and Out	614.00
-B Sediment Bucket	177.00
-D Dome Grate, CI	84.00
-DG Deflector Grate	242.00
-DNB Dome Grate, add to CI	753.00
-DPB Dome Grate, add to CI	647.00
-G Galvanized CI	444.00
-H Hinged Grate	156.00
-M Ductile Iron Grate	380.00
-P Trap Primer Connection	99.00
-S Square Top, CI	208.00
-SC Solid Scoriated Cover	354.00
-SNB Square Top, add to CI	753.00
-SPB Square Top, add to CI	654.00
-U Vandal Proof Grate	89.00

FIG. 2140 HEAVY DUTY FLOOR DRAIN WITH 12" ROUND TOP W/TRACTOR GRATE

FUNCTION: Used in heavy traffic areas where waste water contains no sediment or debris and floor construction requires a shallow drain. Body flange and flashing collar serve as anchor in on-grade locations and as flashing clamp when installed in waterproof floors.



A OUTLET SIZE	TOP SIZE	FREE AREA SQ IN	C DIA.	†DUCO CI	DUCO CI PB TOP	DUCO CI NB TOP	APPROX. WEIGHT LBS
02, 03, 04"	12"	29	*15 1/4	531.00	1,055.00	1,088.00	45
05, 06"	12"	29	15 1/4	531.00	1,055.00	1,088.00	47

*Dimension is 16 for Caulk outlet

REGULARLY FURNISHED: Duco Cast Iron Body and Flashing Collar with Cast Iron Tractor Grate.

OUTLET VARIATIONS (Specify type of outlet and pipe size in inches.)

Outlet Type	Outlet Designation Type/Pipe Size	"B" Body HT. DIM.	ADD
Inside Caulk	C02, C03, C04, C05, C06	3 3/4"	N/C
	T02, T03, T04, T05, T06	3 3/4"	57.00
All other outlet types, refer to 2141.			

OPTIONS:	ADD
-ARI ARC Inside	614.00
-ARIO ARC In and Out	614.00
-B Sediment Bucket	171.00
-DG Deflector Grate	242.00
-DID* Drain Installation Device	125.00
-FBSCI Flat Bottom Strainer, CI	69.00
-G Galvanized CI	236.00
-M Ductile Iron Grate	420.00
-S Square Top, CI	304.00
-SC Solid Scoriated Cover	354.00
-SNB Square Top, add to CI	934.00
-SPB Square Top, add to CI	901.00
-U Vandal Proof Grate	94.00

*Requires body modifications. Must be shipped complete from the factory.

Note: Trap Primer (-P) cannot be used when Caulk Outlet is specified. Please specify Fig. 2141.



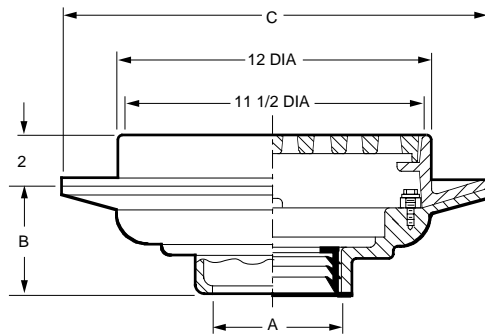
FLOOR DRAINS



FIG. 2141 HEAVY DUTY FLOOR DRAIN WITH 12" ROUND TOP W/TRACTOR GRATE

FUNCTION: Used in heavy traffic areas where waste water contains no sediment or debris and floor construction requires a shallow drain. Body flange and flashing collar serve as anchor in on-grade locations and as flashing clamp when installed in waterproof floors.

2141
Same as
2140
with deep
body



A OUTLET SIZE	TOP SIZE	FREE AREA SQ IN	C DIA.	†DUCO CI	DUCO CI PB TOP	DUCO CI NB TOP	APPROX. WEIGHT LBS
02, 03, 04"	12"	28.5	15 1/4"	542.00	743.00	765.00	90
05, 06"	12"	28.5	15 1/4"	682.00	895.00	921.00	93

REGULARLY FURNISHED: Duco Cast Iron Body and Flashing Collar with Cast Iron Tractor Grate.

OUTLET VARIATIONS (Specify type of outlet and pipe size in inches.)

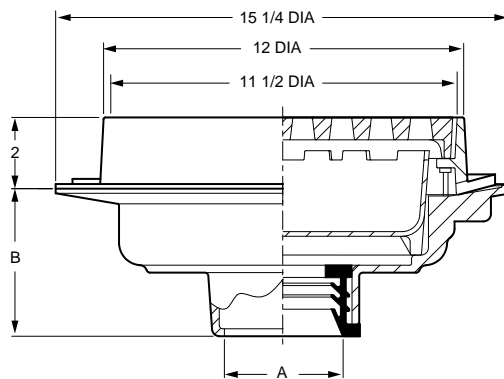
Outlet Type	Outlet Designation	Outlet Type/Pipe Size	"B" Body HT. DIM.	ADD
Inside Caulk	C02, C03, C04, C05, C06	5"	N/C	
Speedi-Set SW	L02, L03, L04	5"	28.00	
Speedi-Set XH	LXH02, LXH03, LXH04	5"	28.00	
Threaded	T02, T03, T04	3 3/4"	68.00	
No-Hub	Y02, Y03, Y04, Y05, Y06	5"	N/C	

OPTIONS:	ADD
-ARI ARC Inside	614.00
-ARIO ARC In and Out	614.00
-B Sediment Bucket	151.00
-DG Deflector Grate	242.00
-DID Drain Installation Device	125.00
-FBSCI Flat Bottom Strainer, CI	69.00
-FP Bucket w/Seepage Holes	223.00
-G Galvanized CI	224.00
-M Ductile Iron Grate	380.00
-P Trap Primer Conn	122.00
-S Square Top, CI	304.00
-SC Solid Scoriated Cover	354.00
-SNB Square Top, add to CI	670.00
-SPB Square Top, add to CI	590.00
-U Vandal Proof Grate	124.00

FLOOR DRAINS

FIG. 2142 HEAVY DUTY FLOOR DRAIN WITH 12" TOP W/ROUND TRACTOR GRATE AND SOLID FREE STANDING SEDIMENT BUCKET

FUNCTION: Used in heavy trucking or traffic areas where waste water contains sand, sediment and other debris. Drain has solid free standing bucket to intercept this type of debris.



A OUTLET SIZE	TOP SIZE	FREE AREA SQ IN	†DUCO CI	DUCO CI PB TOP	DUCO CI NB TOP	APPROX. WEIGHT LBS
02, 03, 04"	12"	29	1,044.00	1,439.00	1,501.00	60
05, 06"	12"	29	1,044.00	1,439.00	1,501.00	62

REGULARLY FURNISHED: Duco Cast Iron Body and Flashing Collar with Cast Iron Tractor Grate and Solid Free Standing Sediment Bucket.

OUTLET VARIATIONS (Specify type of outlet and pipe size in inches.)

Outlet Type	Outlet Designation	Outlet Type/Pipe Size	"B" Body HT. DIM.	ADD
Inside Caulk	C02, C03, C04, C05, C06	5"	N/C	
Speedi-Set SW	L02, L03, L04	5"	28.00	
Speedi-Set XH	LXH02, LXH03, LXH04	5"	28.00	
Threaded	T02, T03, T04	3 3/4"	57.00	
No-Hub	Y02, Y03, Y04, Y05, Y06	5"	N/C	

OPTIONS:	ADD
-ARI ARC Inside	614.00
-ARIO ARC In and Out	614.00
-DG Deflector Grate	242.00
-DID Drain Installation Device	125.00
-FBSCI Flat Bottom Strainer, CI	36.00
-FP Seepage Holes in Bucket	223.00
-G Galvanized CI	589.00
-M Ductile Iron Grate	380.00
-P Trap Primer Conn	99.00
-S Square Top, CI	208.00
-SC Solid Scoriated Cover	354.00
-SNB Square Top, add to CI	753.00
-SPB Square Top, add to CI	654.00
-U Vandal Proof Grate	89.00

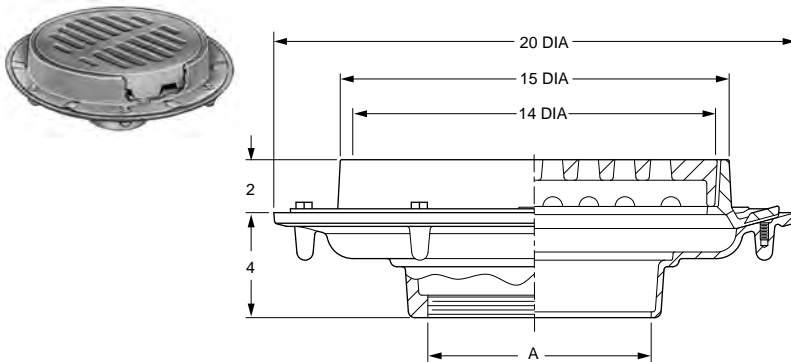


FLOOR DRAINS

FIG. 2143 HEAVY DUTY FLOOR DRAIN WITH 15" ROUND TOP W/TRACTOR GRATE



FUNCTION: Used in heavy traffic areas where waste water contains no sediment or debris and floor construction requires a shallow body. Large top area permits use where high flow is anticipated.



A OUTLET SIZE	TOP SIZE	FREE AREA SQ IN	†DUCO CI	DUCO CI PB TOP	DUCO CI NB TOP	APPROX. WEIGHT LBS
03, 04, 05"	15"	45	1,932.00	2,990.00	3,144.00	71
06, 08"	15"	45	1,932.00	2,990.00	3,144.00	73

REGULARLY FURNISHED: Duco Cast Iron Body and Flashing Collar with Cast Iron Tractor Grate.

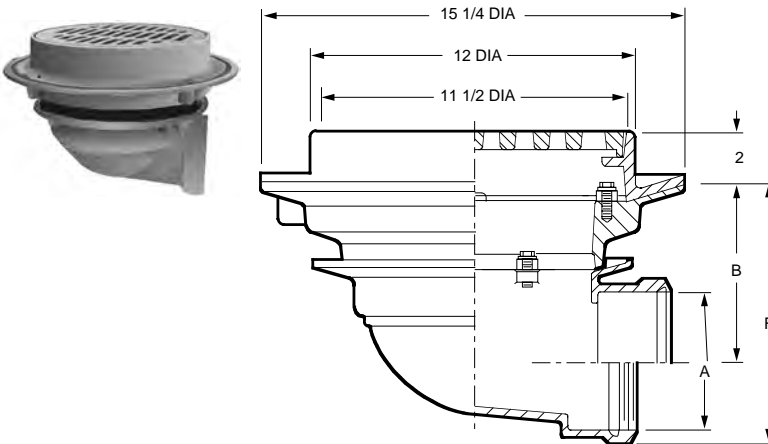
OUTLET VARIATIONS (Specify type of outlet and pipe size in inches.)

Outlet Type	Outlet Designation Outlet Type/Pipe Size	Body HT. DIM.	ADD
Inside Caulk	C03, C04, C05, C06, C08	4"	N/C
Speedi-Set SW	L02, L03, L04	5"	28.00
Speedi-Set XH	LXH02, LXH03, LXH04	5"	28.00
Threaded	T03, T04, T05, T06, T08	4"	68.00
No-Hub			See Fig. 2646Y

OPTIONS:	ADD
-D Dome Grate, CI	244.00
-FBS Alum Flat Bottom Strainer	59.00
-FBSCI Flat Bottom Strainer, CI	69.00
-G Galv CI Body	503.00
-HC4 4" High Collar	275.00
-M Ductile Iron Grate	467.00
-S Square Top, CI	286.00
-SNB Square Top, add to CI	1,198.00
-SPB Square Top, add to CI	1,036.00
-U Vandal Proof Grate	94.00

FIG. 2145 HEAVY DUTY FLOOR DRAIN WITH 12" ROUND TOP W/TRACTOR GRATE

FUNCTION: Used in heavy traffic areas where waste water contains no sediment or debris and floor construction requires a shallow drain. Body flange and flashing collar serve as anchor in on-grade locations and as flashing clamp when installed in waterproof floors.



A OUTLET SIZE	TOP SIZE	FREE AREA SQ IN	B	†DUCO CI	DUCO CI PB TOP	DUCO CI NB TOP	APPROX. WEIGHT LBS
02"	12"	29	6 7/8	789.00	1,313.00	1,347.00	51
03"	12"	29	6 3/8	789.00	1,313.00	1,347.00	51
04"	12"	29	5 7/8	789.00	1,313.00	1,347.00	51
05"	12"	29	5	789.00	1,313.00	1,347.00	53
06"	12"	29	4 1/2	789.00	1,313.00	1,347.00	53

REGULARLY FURNISHED: Duco Cast Iron Body and Flashing Collar with Cast Iron Tractor Grate.

OUTLET VARIATIONS (Specify type of outlet and pipe size in inches.)

Outlet Type	Outlet Designation Outlet Type/Pipe Size	"F" Body HT. DIM.	ADD
Inside Caulk	C02	8 5/8"	68.00
Threaded	C03, C04	8 3/4"	68.00
	C05, C06	8 1/2"	68.00
	T02	8 5/8"	68.00
No-Hub	T03, T04	8 3/4"	68.00
	T05, T06	8 1/2"	68.00
	Y02	8 5/8"	N/C
	Y03, Y04	8 3/4"	N/C
	Y05, Y06		See Fig. 2646Y

OPTIONS:	ADD
-ARI ARC Inside	614.00
-ARIO ARC In and Out	614.00
-B Sediment Bucket	177.00
-DG Deflector Grate	242.00
-G Galvanized CI	236.00
-M Ductile Iron Grate	420.00
-P Trap Primer Conn	20.00
-S Square Top, CI	304.00
-SC Solid Scoriated Cover	354.00
-SNB Square Top, add to CI	988.00
-SPB Square Top, add to CI	955.00
-U Vandal Proof Grate	94.00

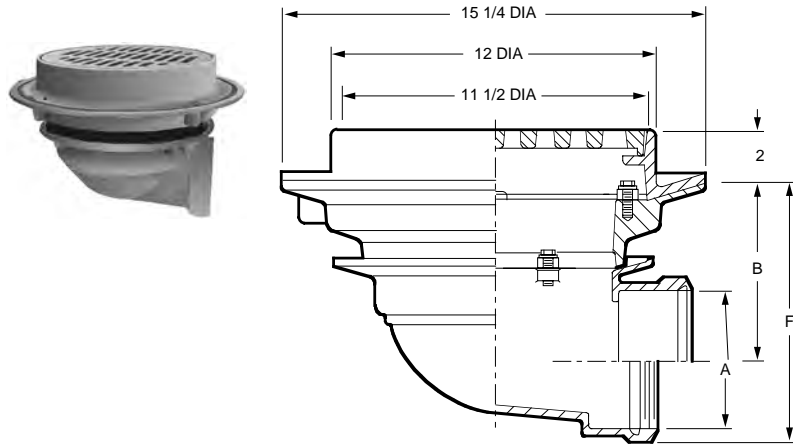


FLOOR DRAINS



FIG. 2147 HEAVY DUTY FLOOR DRAIN WITH 12" ROUND TOP W/TRACTOR GRATE AND SOLID FREE STANDING SEDIMENT BUCKET

FUNCTION: Used in heavy trucking or traffic areas where waste water contains sand, sediment and other debris. Drain has solid free standing bucket to intercept this type of debris.



A OUTLET SIZE	TOP SIZE	FREE AREA SQ IN	B	†DUCO CI	DUCO CI PB TOP	DUCO CI NB TOP	APPROX. WEIGHT LBS
02"	12"	29	6 7/8	1,120.00	1,900.00	1,800.00	70
03"	12"	29	6 3/8	1,120.00	1,900.00	1,800.00	70
04"	12"	29	5 7/8	1,120.00	1,900.00	1,800.00	70
05"	12"	29	5	1,220.00	2,000.00	1,900.00	72
06"	12"	29	4 1/2	1,220.00	2,000.00	1,900.00	72

REGULARLY FURNISHED: Duco Cast Iron Body and Flashing Collar with Cast Iron Tractor Grate and Solid Free Standing Sediment Bucket.

OUTLET VARIATIONS (Specify type of outlet and pipe size in inches.)

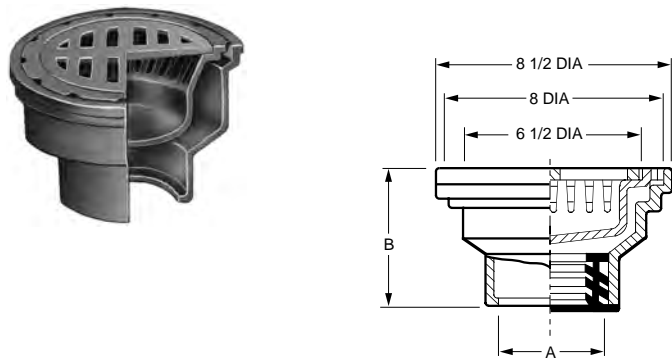
Outlet Type	Outlet Designation Outlet Type/Pipe Size	"F" Body HT. DIM.	ADD
Inside Caulk	C02	8 5/8"	N/C
	C03, C04	8 3/4"	N/C
	C05, C06	8 1/2"	N/C
Threaded	T02	8 5/8"	57.00
	T03, T04	8 3/4"	57.00
	T05, T06	8 1/2"	57.00
No-Hub	Y02	8 5/8"	N/C
	Y03, Y04	8 3/4"	N/C
	Y05, Y06	See Fig. 2646Y	

OPTIONS:	ADD
-ARI ARC Inside	614.00
-ARIO ARC In and Out	614.00
-DG Deflector Grate	177.00
-FP Seepage Holes in Bucket	242.00
-G Galvanized CI	236.00
-M Ductile Iron Grate	420.00
-P Trap Primer Conn	20.00
-S Square Top, CI	304.00
-SC Solid Scoriated Cover	354.00
-SNB Square Top, add to CI	988.00
-SPB Square Top, add to CI	955.00
-U Vandal Proof Grate	94.00

FLOOR DRAINS

FIG. 2210 MEDIUM DUTY FLOOR DRAIN WITH 8 1/2" ROUND TOP AND "SAFE SET" SEDIMENT BUCKET

FUNCTION: For general medium duty use where waste water contains solids or debris that must be prevented from entering drainage lines. "Safe-Set" design insures bucket replacement after cleaning, since top grate cannot be inserted unless bucket is in place.



A OUTLET SIZE	TOP SIZE	FREE AREA SQ IN	†DUCO CI	DUCO CI PB TOP	DUCO CI NB TOP	APPROX. WEIGHT LBS
02, 03, 04"	8 1/2"	9.25	249.00	515.00	578.00	14

REGULARLY FURNISHED: Duco Cast Iron Body with Cast Iron Grate and Sediment Bucket.

OUTLET VARIATIONS (Specify type of outlet and pipe size in inches.)

Outlet Type	Outlet Designation Outlet Type/Pipe Size	"B" Body HT. DIM.	ADD
Inside Caulk	C02, C03, C04	5"	N/C
Speedi-Set SW	L02, L03, L04	5"	28.00
Speedi-Set XH	LXH02, LXH03, LXH04	5"	28.00
Threaded	T02, T03, T04	3 1/2"	57.00
No-Hub	Y02, Y03, Y04	5"	N/C

OPTIONS:	ADD
-ARI ARC Inside	304.00
-ARIO ARC In and Out	304.00
-D Dome Grate, CI	50.00
-DNB Dome Grate, add to CI	554.00
-DPB Dome Grate, add to CI	441.00
-FBSCI Flat Bottom Strainer, CI	36.00
-G Galvanized CI	259.00
-H Hinged Grate	156.00
-MBG Ductile Iron Bucket & Grate	304.00
-P Trap Primer Conn	99.00
-S Square Top, CI	196.00
-SNB Square Top, add to CI	571.00
-SPB Square Top, add to CI	472.00
-U Vandal Proof Grate	89.00
-XP Closure Plug, 02, 03"	238.00
04"	400.00

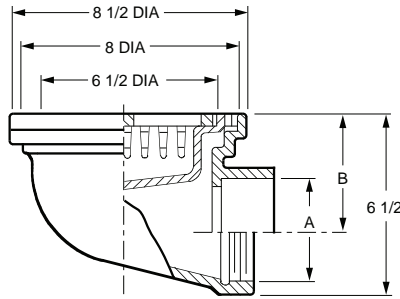


FLOOR DRAINS

FIG. 2215 MEDIUM DUTY FLOOR DRAIN WITH 8 1/2" ROUND TOP AND "SAFE SET" SEDIMENT BUCKET



FUNCTION: For general medium duty use where waste water contains solids or debris that must be prevented from entering drainage lines. "Safe-Set" design insures bucket replacement after cleaning, since top grate cannot be inserted unless bucket is in place.



A OUTLET SIZE	TOP SIZE	FREE AREA SQ IN	B	†DUCO CI	DUCO CI PB TOP	DUCO CI NB TOP	APPROX. WEIGHT LBS
02"	8 1/2"	9.25	4 3/4"	513.00	779.00	842.00	16
03"	8 1/2"	9.25	4 1/4"	513.00	779.00	842.00	16
04"	8 1/2"	9.25	3 1/4"	513.00	779.00	842.00	16

REGULARLY FURNISHED: Duco Cast Iron Body with Cast Iron Grate and Sediment Bucket.

OUTLET VARIATIONS (Specify type of outlet and pipe size in inches.)

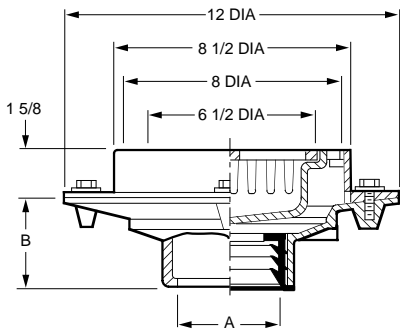
Outlet Type	Outlet Designation Type/Pipe Size	Body HT. DIM.	ADD
Inside Caulk	C02, C03, C04	6 1/2"	N/C
Threaded	T02, T03, T04	6 1/2"	57.00
No-Hub	Y02, Y03, Y04		See Fig. 2646Y

OPTIONS:

OPTION	DESCRIPTION	ADD
-D	Dome Grate, CI	50.00
-DNB	Dome Grate, add to CI	554.00
-DPB	Dome Grate, add to CI	441.00
-G	Galvanized CI	259.00
-H	Hinged Grate	156.00
-MBG	Ductile Iron Bucket & Grate	304.00
-P	Trap Primer Conn	99.00
-S	Square Top, CI	196.00
-SNB	Square Top, add to CI	571.00
-SPB	Square Top, add to CI	472.00
-U	Vandal Proof Grate	89.00

FIG. 2220 LIGHT DUTY FLOOR DRAIN WITH 8 1/2" ROUND TOP AND "SAFE SET" SEDIMENT BUCKET WITH FLANGE

FUNCTION: For general light duty use where waste water contains solids or debris that must be prevented from entering drainage lines. "Safe-Set" design insures bucket replacement after cleaning since top grate cannot be inserted unless bucket is in place.



A OUTLET SIZE	TOP SIZE	FREE AREA SQ IN	†DUCO CI	DUCO CI PB TOP	DUCO CI NB TOP	APPROX. WEIGHT LBS
02, 03, 04"	8 1/2"	9.25	426.00	721.00	785.00	22

REGULARLY FURNISHED: Duco Cast Iron Body and Flashing Collar with Cast Iron Grate and Sediment Bucket.

OUTLET VARIATIONS (Specify type of outlet and pipe size in inches.)

Outlet Type	Outlet Designation Type/Pipe Size	"B" Body HT. DIM.	ADD
Inside Caulk	C02, C03, C04	3 3/4"	68.00
Speedi-Set SW	L02, L03, L04	3 3/4"	28.00
Speedi-Set XH	LXH02, LXH03, LXH04	3 3/4"	28.00
Threaded	T02, T03, T04	2"	68.00
No-Hub	Y02, Y03, Y04	3 3/4"	N/C

OPTIONS:

OPTION	DESCRIPTION	ADD
-D	Dome Grate, CI	93.00
-DID*	Drain Installation Device	125.00
-DNB	Dome Grate, add to CI	554.00
-DPB	Dome Grate, add to CI	441.00
-G	Galvanized CI	339.00
-H**	Hinged Grate (Not available in Ductile Iron)	171.00
-MBG	Ductile Iron Bucket & Grate	304.00
-P	Trap Primer Conn	15.00
-S	Square Top, CI	196.00
-SNB	Square Top, add to CI	571.00
-SPB	Square Top, add to CI	472.00
-U	Vandal Proof Grate	124.00
-XP	Closure Plug, 02, 03"	238.00
	04"	400.00

*Requires body modifications. Must be shipped complete w/drain from the factory.

**When hinged ductile iron grate is specified, see 2210.

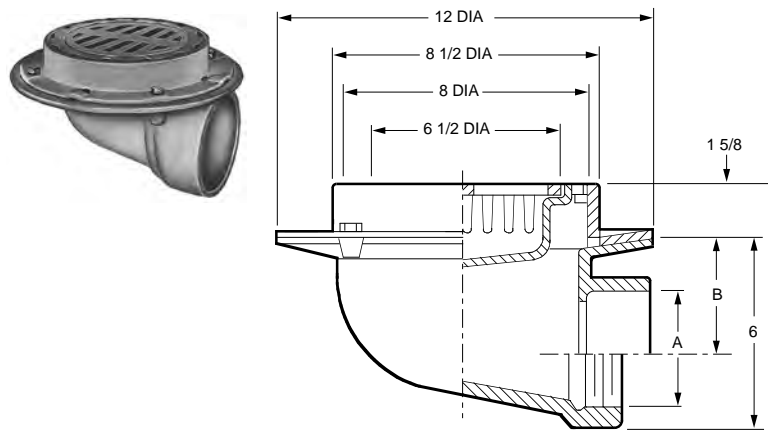


FLOOR DRAINS



FIG. 2225 LIGHT DUTY FLOOR DRAIN WITH 8 1/2" ROUND TOP AND "SAFE SET" SEDIMENT BUCKET WITH FLANGE

FUNCTION: For general light duty use where waste water contains solids or debris that must be prevented from entering drainage lines. "Safe-Set" design insures bucket replacement after cleaning since top grate cannot be inserted unless bucket is in place.



A OUTLET SIZE	TOP SIZE	FREE AREA SQ IN	B	†DUCO CI	DUCO CI PB TOP	DUCO CI NB TOP	APPROX. WEIGHT LBS
02"	8 1/2"	9.25	4 1/4"	808.00	1,104.00	1,168.00	30
03"	8 1/2"	9.25	3 3/4"	808.00	1,104.00	1,168.00	30
04"	8 1/2"	9.25	3 1/4"	808.00	1,104.00	1,168.00	30

REGULARLY FURNISHED: Duco Cast Iron Body and Flashing Collar with Cast Iron Grate and Sediment Bucket.

OUTLET VARIATIONS (Specify type of outlet and pipe size in inches.)

Outlet Type	Outlet Designation	Outlet Type/Pipe Size	Body HT. DIM.	ADD
Inside Caulk	C02, C03, C04		6"	N/C
Threaded	T02, T03, T04		6"	68.00
No-Hub	Y02, Y03, Y04		See Fig. 2646Y	

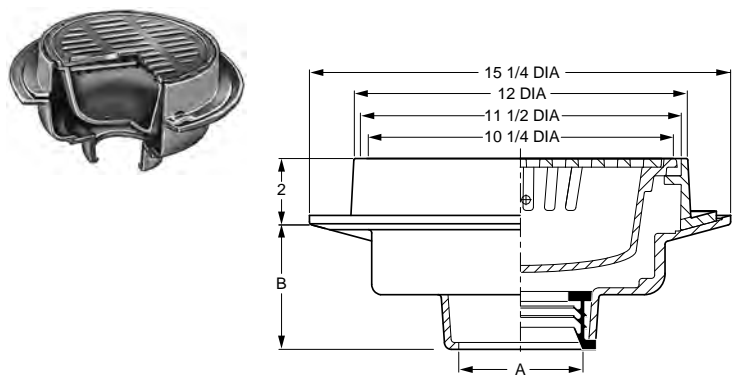
OPTIONS:

Option	Description	ADD
-D	Dome Grate, CI	93.00
-DNB	Dome Grate, add to CI	554.00
-DPB	Dome Grate, add to CI	441.00
-G	Galvanized CI	339.00
-MBG	Ductile Iron Bucket & Grate	452.00
-H	Hinged Grate	171.00
-P	Trap Primer Conn	15.00
-S	Square Top, CI	208.00
-SNB	Square Top, add to CI	753.00
-SPB	Square Top, add to CI	654.00
-U	Vandal Proof Grate	124.00

FLOOR DRAINS

FIG. 2230 MEDIUM DUTY FLOOR DRAIN WITH 12" ROUND TOP AND "SAFE SET" SEDIMENT BUCKET

FUNCTION: For general use where water contains solids or debris that must be intercepted. Large top is used where high flows are anticipated. "Safe-Set" design insures bucket replacement after cleaning since top grate cannot be inserted unless bucket is in place.



A OUTLET SIZE	TOP SIZE	FREE AREA SQ IN	†DUCO CI	DUCO CI PB TOP	DUCO CI NB TOP	APPROX. WEIGHT LBS
02, 03, 04"	12"	25.5	897.00	1,268.00	1,326.00	70
05, 06"	12"	25.5	897.00	1,268.00	1,326.00	72
08"	12"	25.5	1,080.00	1,449.00	1,506.00	74

REGULARLY FURNISHED: Duco Cast Iron Body and Flashing Collar with Cast Iron Grate and Slotted Sediment Bucket.

OUTLET VARIATIONS (Specify type of outlet and pipe size in inches.)

Outlet Type	Outlet Designation	Outlet Type/Pipe Size	"B" Body HT. DIM.	ADD
Inside Caulk	C02, C03, C04		5"	N/C
	C05, C06, C08		5"	N/C
Speedi-Set SW	L02, L03, L04		5"	28.00
Speedi-Set XH	LXH02, LXH03, LXH04		5"	28.00
Threaded	T02, T03, T04		3 3/4"	57.00
	T05, T06, T08		3 3/4"	57.00
No-Hub	Y02, Y03, Y04		5"	N/C
	Y05, Y06, Y08		5"	N/C

OPTIONS:

Option	Description	ADD
-ARI	ARC Inside	614.00
-ARIO	ARC In and Out	614.00
-DID	Drain Installation Device	125.00
-FBSCI	Flat Bottom Strainer, CI	69.00
-G	Galvanized CI	234.00
-H	Hinged Grate	176.00
-MBG	Ductile Iron Bucket & Grate	420.00
-P	Trap Primer Conn	15.00
-S	Square Top, CI	223.00
-SNB	Square Top, add to CI	582.00
-SPB	Square Top, add to CI	580.00
-U	Vandal Proof Grate	124.00

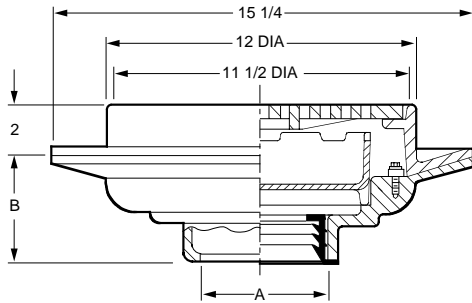


FLOOR DRAINS

FIG. 2231 MEDIUM DUTY FLOOR DRAIN WITH 12" ROUND TOP AND SEDIMENT BUCKET



FUNCTION: Used in moderate traffic areas where waste water contains sediment or debris and floor construction requires a shallow drain. Body flange and flashing collar serve as anchor in on-grade locations and as flashing clamp when installed in waterproof floors.



A OUTLET SIZE	TOP SIZE	FREE AREA SQ IN	†DUCO CI	DUCO CI PB TOP	DUCO CI NB TOP	APPROX. WEIGHT LBS
02, 03, 04"	12"	28.5	915.00	1,310.00	1,372.00	70
05, 06"	12"	28.5	915.00	1,310.00	1,372.00	72
08"	12"	28.5	1,102.00	1,497.00	1,559.00	74

REGULARLY FURNISHED: Duco Cast Iron Body and Flashing Collar with Cast Iron Bar Grate and Solid Free Standing Bucket.

OUTLET VARIATIONS (Specify type of outlet and pipe size in inches.)

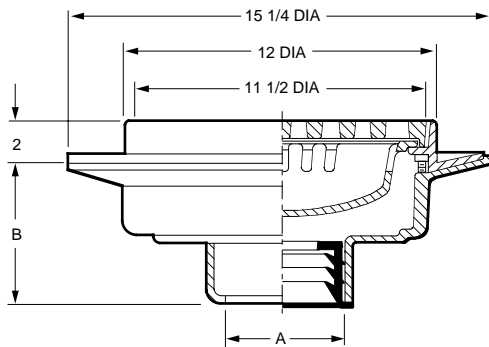
Outlet Type	Outlet Designation Outlet Type/Pipe Size	"B" Body HT. DIM.	ADD
Inside Caulk	C02, C03, C04	3 3/4"	N/C
	C05, C06, C08	3 3/4"	N/C
Speedi-Set SW	L02, L03, L04	3 3/4"	28.00
Speedi-Set XH	LXH02, LXH03, LXH04	3 3/4"	28.00
Threaded	T02, T03, T04	3 3/4"	57.00
	T05, T06, T08	3 3/4"	57.00
No-Hub	Y02, Y03, Y04	3 3/4"	N/C
	Y05, Y06, Y08	3 3/4"	N/C

OPTIONS:

OPTION	DESCRIPTION	ADD
-ARI	ARC Inside	614.00
-ARIO	ARC In and Out	614.00
-DID	Drain Installation Device	125.00
-FBSCI	Flat Bottom Strainer, CI	69.00
-G	Galvanized CI	234.00
-H	Hinged Grate	176.00
-M	Ductile Iron Grate	380.00
-P	Trap Primer Conn	15.00
-S	Square Top, CI	223.00
-SNB	Square Top, add to CI	582.00
-SPB	Square Top, add to CI	580.00
-U	Vandal Proof Grate	124.00

FIG. 2233 HEAVY DUTY FLOOR DRAIN WITH 12" ROUND TOP W/TRACTOR GRATE AND SEDIMENT BUCKET

FUNCTION: Used in heavy trucking areas where debris is anticipated and must be intercepted. The suspended sediment bucket when set under the grate guarantees efficient interception of debris.



A OUTLET SIZE	TOP SIZE	FREE AREA SQ IN	†DUCO CI	DUCO CI PB TOP	DUCO CI NB TOP	APPROX. WEIGHT LBS
02, 03, 04"	12"	29	740.00	985.00	1,012.00	58
05, 06"	12"	29	914.00	1,174.00	1,205.00	60
08"	12"	29	928.00	1,189.00	1,222.00	62

REGULARLY FURNISHED: Duco Cast Iron Body and Flashing Collar with Cast Iron Tractor Grate and Slotted Sediment Bucket.

OUTLET VARIATIONS (Specify type of outlet and pipe size in inches.)

Outlet Type	Outlet Designation Outlet Type/Pipe Size	"B" Body HT. DIM.	ADD
Inside Caulk	C02, C03, C04	5"	N/C
	C05, C06, C08	5"	N/C
Speedi-Set SW	L02, L03, L04	5"	28.00
Speedi-Set XH	LXH02, LXH03, LXH04	5"	28.00
Threaded	T02, T03, T04	3 3/4"	57.00
	T05, T06, T08	3 3/4"	57.00
No-Hub	Y02, Y03, Y04	5"	N/C
	Y05, Y06, Y08	5"	N/C

OPTIONS:

OPTION	DESCRIPTION	ADD
-ARI	ARC Inside	374.00
-ARIO	ARC In and Out	374.00
-BS	Bucket with Mesh Screen	367.00
-D	Dome Grate, CI	93.00
-DID	Drain Installation Device	125.00
-DBSCI	Dome Bottom Strainer, CI	89.00
-FBSCI	Flat Bottom Strainer, CI	69.00
-G	Galvanized CI	234.00
-M	Ductile Iron Grate	421.00
-P	Trap Primer Conn	15.00
-S	Square Top, CI	223.00
-SC	Solid Scoriated Cover	354.00
-SNB	Square Top, add to CI	582.00
-SPB	Square Top, add to CI	580.00
-U	Vandal Proof Grate	124.00

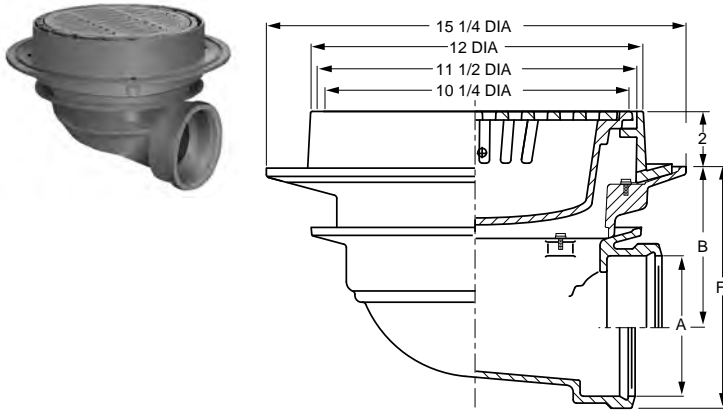


FLOOR DRAINS



FIG. 2235 MEDIUM DUTY FLOOR DRAIN WITH 12" ROUND TOP AND "SAFE SET" SEDIMENT BUCKET

FUNCTION: For general use where water contains solids or debris that must be intercepted. Large top is used where high flows are anticipated. "Safe-Set" design insures bucket replacement after cleaning since top grate cannot be inserted unless bucket is in place.



A OUTLET SIZE	TOP SIZE	FREE AREA SQ IN	B	†DUCO CI	DUCO CI PB TOP	DUCO CI NB TOP	APPROX. WEIGHT LBS
02"	12"	25.5	6 7/8"	1,280.00	1,651.00	1,709.00	71
03"	12"	25.5	6 3/8"	1,280.00	1,651.00	1,709.00	71
04"	12"	25.5	5 7/8"	1,280.00	1,651.00	1,709.00	71
05"	12"	25.5	5"	1,280.00	1,651.00	1,709.00	73
06"	12"	25.5	4 1/2"	1,280.00	1,651.00	1,709.00	73

REGULARLY FURNISHED: Duco Cast Iron Body and Flashing Collar with Cast Iron Grate and Slotted Sediment Bucket.

OUTLET VARIATIONS (Specify type of outlet and pipe size in inches.)

Outlet Type	Outlet Designation Outlet Type/Pipe Size	"F" Body HT. DIM.	ADD
Inside Caulk	C02	8 5/8"	N/C
	C03, C04	8 3/4"	N/C
	C05, C06	8 1/2"	N/C
Threaded	T02	8 5/8"	57.00
	T03, T04	8 3/4"	57.00
	T05, T06	8 1/2"	57.00
No-Hub	Y02	8 5/8"	N/C
	Y03, Y04	8 3/4"	N/C
	Y05, Y06	See Fig. 2646Y	

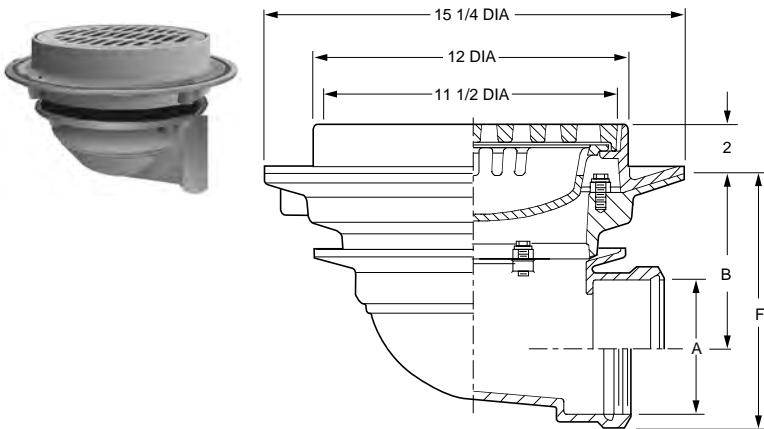
OPTIONS:

Option	ADD
-G Galvanized CI	234.00
-H Hinged Grate	176.00
-MBG Ductile Iron Bucket & Grate	420.00
-S Square Top, CI	223.00
-SNB Square Top, add to CI	582.00
-SPB Square Top, add to CI	580.00
-U Vandal Proof Grate	124.00

FLOOR DRAINS

FIG. 2238 HEAVY DUTY FLOOR DRAIN WITH 12" ROUND TOP W/TRACTOR GRATE AND SEDIMENT BUCKET

FUNCTION: Used in heavy trucking areas where debris is anticipated and must be intercepted. The suspended sediment bucket when set under the grate guarantees efficient interception of debris.



A OUTLET SIZE	TOP SIZE	FREE AREA SQ IN	B	†DUCO CI	DUCO CI PB TOP	DUCO CI NB TOP	APPROX. WEIGHT LBS
02"	12"	29	6 7/8"	1,280.00	1,651.00	1,709.00	74
03"	12"	29	6 3/8"	1,280.00	1,651.00	1,709.00	74
04"	12"	29	5 7/8"	1,280.00	1,651.00	1,709.00	74
05"	12"	29	5"	1,280.00	1,651.00	1,709.00	76
06"	12"	29	4 1/2"	1,280.00	1,651.00	1,709.00	76

REGULARLY FURNISHED: Duco Cast Iron Body and Flashing Collar with Cast Iron Tractor Grate and Slotted Sediment Bucket.

OUTLET VARIATIONS (Specify type of outlet and pipe size in inches.)

Outlet Type	Outlet Designation Outlet Type/Pipe Size	"F" Body HT. DIM.	ADD
Inside Caulk	C02	8 5/8"	N/C
	C03, C04	8 3/4"	N/C
	C05, C06	8 1/2"	N/C
Threaded	T02	8 5/8"	57.00
	T03, T04	8 3/4"	57.00
	T05, T06	8 1/2"	57.00
No-Hub	Y02	8 5/8"	N/C
	Y03, Y04	8 3/4"	N/C
	Y05, Y06	See Fig. 2646Y	

OPTIONS:

Option	ADD
-BS Bucket w/Mesh Screen	367.00
-D Dome Grate, CI	93.00
-G Galvanized CI	234.00
-M Ductile Iron Grate	420.00
-S Square Top, CI	223.00
-SC Solid Scoriated Cover	354.00
-SNB Square Top, add to CI	582.00
-SPB Square Top, add to CI	580.00
-U Vandal Proof Grate	124.00

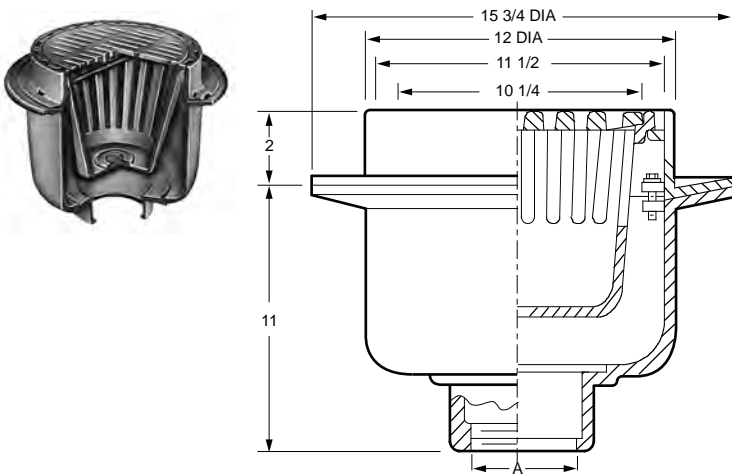


FLOOR DRAINS



FIG. 2240 DEEP BODY MEDIUM DUTY FLOOR DRAIN WITH 12" ROUND TOP AND "SAFE SET" SEDIMENT BUCKET
FIG. 2241 DEEP BODY MEDIUM DUTY FLOOR DRAIN WITH 12" ROUND GRATE AND SOLID FREE STANDING SEDIMENT BUCKET

FUNCTION: For general use where water contains solids and debris that must be intercepted. Large deep body and bucket are adaptable to areas where heavy flow and considerable debris are anticipated. "Safe-Set" design (Fig. 2240) insures bucket replacement after cleaning since top grate cannot be inserted unless bucket is in place.



A OUTLET SIZE	TOP SIZE	FREE AREA SQ IN	†DUCO CI	DUCO CI PB TOP	DUCO CI NB TOP	APPROX. WEIGHT LBS
02, 03, 04"	12"	25.5	1,334.00	1,799.00	1,869.00	81
05, 06"	12"	25.5	1,334.00	1,799.00	1,869.00	83

REGULARLY FURNISHED: Duco Cast Iron Body and Flashing Collar with Cast Iron Grate and Slotted Sediment Bucket.

OUTLET VARIATIONS (Specify type of outlet and pipe size in inches.)

Outlet Type	Outlet Designation Outlet Type/Pipe Size	ADD
Inside Caulk	C02, C03, C04, C05, C06	N/C
Threaded	T02, T03, T04, T05, T06	57.00
No-Hub	Y02, Y03, Y04	N/C
	Y05, Y06	See Fig. 2646Y

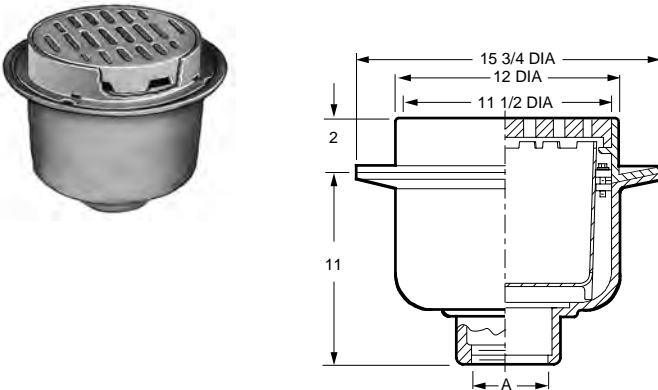
OPTIONS:

Option	Description	ADD
-B	Solid Free Standing Bucket (2241)	N/C
-BS	Mesh Lined Bucket	307.00
-D	Dome Grate, CI	84.00
-DNB	Dome Grate add to CI	753.00
-DPB	Dome Grate add to CI	647.00
-FBSCI	Flat Bottom Strainer, CI	36.00
-G	Galvanized CI	898.00
-H	Hinged Grate*	179.00
-M	Ductile Iron Grate (2241)	380.00
-P	Trap Primer Conn	99.00
-S	Square Top, CI	208.00
-SC	Solid Scoriated Cover	354.00
-SNB	Square Top, add to CI	753.00
-SPB	Square Top, add to CI	654.00
-U	Vandal Proof Grate	124.00

*Hinged grate not available in Safe-Set design. Full Grate is provided with a suspended bucket. (Specify Fig. 2241)

FIG. 2242 DEEP BODY HEAVY DUTY FLOOR DRAIN WITH 12" TOP W/TRACTOR GRATE AND SOLID FREE STANDING SEDIMENT BUCKET

FUNCTION: Used in heavy traffic areas where debris is anticipated and must be intercepted. Large deep body and bucket are adaptable to areas where heavy flow and considerable debris are expected.



A OUTLET SIZE	TOP SIZE	FREE AREA SQ IN	†DUCO CI	DUCO CI PB TOP	DUCO CI NB TOP	APPROX. WEIGHT LBS
02, 03, 04"	12"	29	1,334.00	1,799.00	1,869.00	76
05, 06"	12"	29	1,334.00	1,799.00	1,869.00	78

REGULARLY FURNISHED: Duco Cast Iron Body and Flashing Collar with Cast Iron Grate and Solid Free Standing Sediment Bucket.

OUTLET VARIATIONS (Specify type of outlet and pipe size in inches.)

Outlet Type	Outlet Designation Outlet Type/Pipe Size	ADD
Inside Caulk	C02, C03, C04, C05, C06	N/C
Threaded	T02, T03, T04, T05, T06	57.00
No-Hub	Y02, Y03, Y04	N/C
	Y05, Y06	See Fig. 2646Y

OPTIONS:

Option	Description	ADD
-DG	Deflector Grate	242.00
-FBSCI	Flat Bottom Strainer, CI	36.00
-FP	Seepage Holes in Bucket	182.00
-G	Galvanized CI	898.00
-M	Ductile Iron Grate	380.00
-P	Trap Primer Conn	99.00
-S	Square Top, CI	208.00
-SC	Solid Scoriated Cover	354.00
-SNB	Square Top, add to CI	753.00
-SPB	Square Top, add to CI	654.00
-U	Vandal Proof Grate	124.00

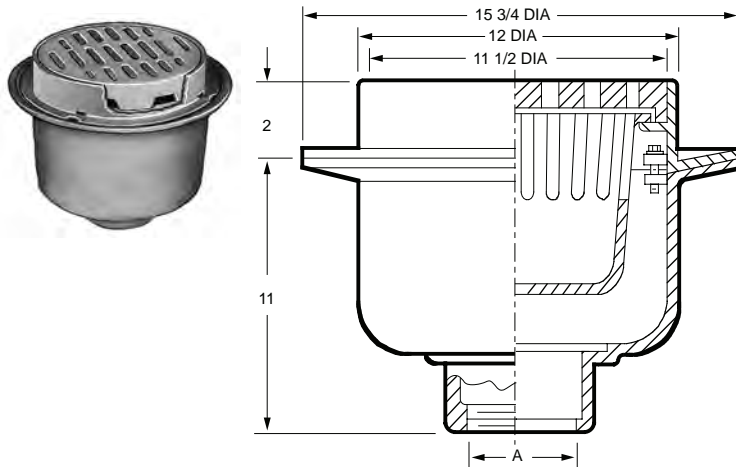


FLOOR DRAINS



FIG. 2243 DEEP BODY HEAVY DUTY FLOOR DRAIN WITH 12" TOP W/TRACTOR GRATE AND SUSPENDED SLOTTED SEDIMENT BUCKET

FUNCTION: Used in heavy traffic areas where debris is anticipated and must be intercepted. Large deep body and bucket are adaptable to areas where heavy flow and considerable debris are expected.



A OUTLET SIZE	TOP SIZE	FREE AREA SQ IN	†DUCO CI	DUCO CI PB TOP	DUCO CI NB TOP	APPROX. WEIGHT LBS
02, 03, 04"	12"	29	1,334.00	1,799.00	1,869.00	84
05, 06"	12"	29	1,334.00	1,799.00	1,869.00	86

REGULARLY FURNISHED: Duco Cast Iron Body and Flashing Collar with Cast Iron Grate and Suspended Slotted Sediment Bucket.

OUTLET VARIATIONS (Specify type of outlet and pipe size in inches.)

Outlet Type	Outlet Designation	ADD
Inside Caulk	C02, C03, C04, C05, C06	N/C
Threaded	T02, T03, T04, T05, T06	57.00
No-Hub	Y02, Y03, Y04, Y05, Y06	N/C

OPTIONS:

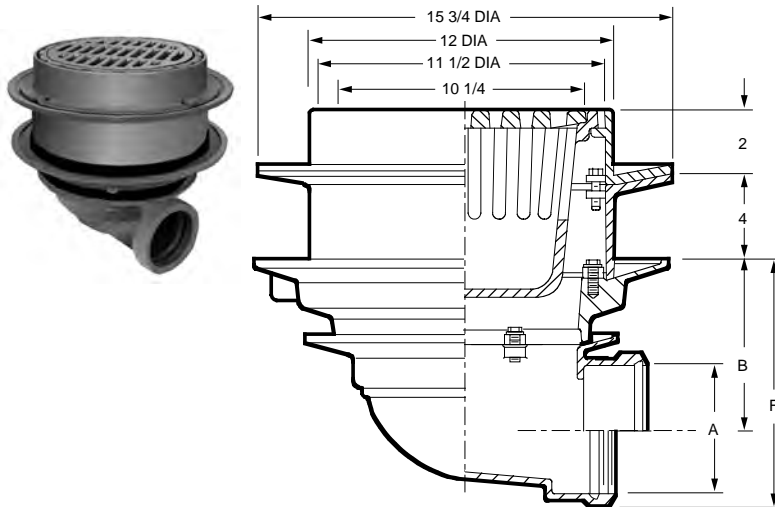
Option	Description	ADD
-DG	Deflector Grate	242.00
-FBSCI	Flat Bottom Strainer, CI	36.00
-G	Galvanized CI	898.00
-H	*Hinged Grate	179.00
-M	Ductile Iron Grate	380.00
-P	Trap Primer Conn	99.00
-S	Square Top, CI	208.00
-SC	Solid Scoriated Cover	354.00
-SNB	Square Top, add to CI	753.00
-SPB	Square Top, add to CI	654.00
-U	Vandal Proof Grate	124.00

*When hinged grate is specified, drain becomes light duty.

FLOOR DRAINS

FIG. 2245 DEEP BODY MEDIUM DUTY FLOOR DRAIN WITH 12" ROUND TOP AND "SAFE SET" SEDIMENT BUCKET

FUNCTION: For general use where water contains solids and debris that must be intercepted. Large deep body and bucket are adaptable to areas where heavy flow and considerable debris are anticipated. "Safe-Set" design insures bucket replacement after cleaning since top grate cannot be inserted unless bucket is in place.



A OUTLET SIZE	TOP SIZE	FREE AREA SQ IN	B	†DUCO CI	DUCO CI PB TOP	DUCO CI NB TOP	APPROX. WEIGHT LBS
02"	12"	25.5	6 7/8"	1,334.00	1,799.00	1,869.00	82
03"	12"	25.5	6 3/8"	1,334.00	1,799.00	1,869.00	82
04"	12"	25.5	5 7/8"	1,334.00	1,799.00	1,869.00	82
05"	12"	25.5	5"	1,334.00	1,799.00	1,869.00	84
06"	12"	25.5	4 1/2"	1,334.00	1,799.00	1,869.00	84

REGULARLY FURNISHED: Duco Cast Iron Body and Flashing Collar with Cast Iron Grate and Slotted Sediment Bucket.

OUTLET VARIATIONS (Specify type of outlet and pipe size in inches.)

Outlet Type	Outlet Designation	"F" Body HT. DIM.	ADD
Inside Caulk	C02	8 5/8"	N/C
	C03, C04	8 3/4"	N/C
	C05, C06	8 1/2"	N/C
Threaded	T02	8 5/8"	57.00
	T03, T04	8 3/4"	57.00
	T05, T06	8 1/2"	57.00
No-Hub	Y02	8 5/8"	N/C
	Y03, Y04	8 3/4"	N/C
	Y05, Y06	See Fig. 2646Y	

OPTIONS:

Option	Description	ADD
-G	Galvanized CI	898.00
-H	Hinged Grate*	179.00
-S	Square Top, CI	208.00
-SC	Solid Scoriated Cover	354.00
-SNB	Square Top, add to CI	755.00
-SPB	Square Top, add to CI	654.00
-U	Vandal Proof Grate	124.00

*Hinged grate not available in Safe-Set design. Full Grate is provided with a suspended bucket.

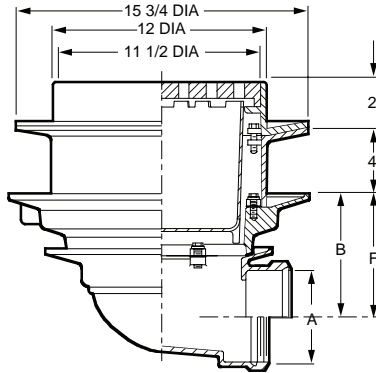


FLOOR DRAINS



FIG. 2247 DEEP BODY HEAVY DUTY FLOOR DRAIN WITH 12" TOP W/TRACTOR GRATE AND SOLID FREE STANDING SEDIMENT BUCKET

FUNCTION: Used in heavy traffic areas where debris is anticipated and must be intercepted. Large deep body and bucket are adaptable to areas where heavy flow and considerable debris are expected.



A OUTLET SIZE	TOP SIZE	FREE AREA SQ IN	B	†DUCO CI	DUCO CI PB TOP	DUCO CI NB TOP	APPROX. WEIGHT LBS
02"	12"	29	6 7/8"	1,334.00	1,799.00	1,869.00	70
03"	12"	29	6 3/8"	1,334.00	1,799.00	1,869.00	70
04"	12"	29	5 7/8"	1,334.00	1,799.00	1,869.00	70
05"	12"	29	5"	1,334.00	1,799.00	1,869.00	72
06"	12"	29	4 1/2"	1,334.00	1,799.00	1,869.00	72

REGULARLY FURNISHED: Duco Cast Iron Body and Flashing Collar with Cast Iron Grate and Solid Free Standing Sediment Bucket.

OUTLET VARIATIONS (Specify type of outlet and pipe size in inches.)

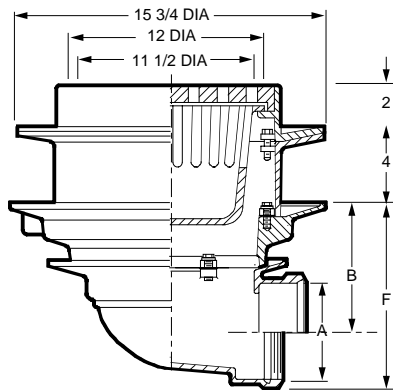
Outlet Type	Outlet Designation Type/Pipe Size	"F" Body HT. DIM.	ADD
Inside Caulk	C02	8 5/8"	N/C
	C03, C04	8 3/4"	N/C
	C05, C06	8 1/2"	N/C
Threaded	T02	8 5/8"	57.00
	T03, T04	8 3/4"	57.00
	T05, T06	8 1/2"	57.00
No-Hub	Y02, Y03, Y04		N/C
	Y05, Y06		See Fig. 2646Y

OPTIONS:

OPTION	DESCRIPTION	ADD
-DG	Deflector Grate	242.00
-FP	Seepage Holes in Bucket	182.00
-G	Galvanized CI	898.00
-M	Ductile Iron Grate	380.00
-P	Trap Primer Conn	99.00
-S	Square Top, CI	208.00
-SC	Solid Scoriated Cover	354.00
-SNB	Square Top, add to CI	755.00
-SPB	Square Top, add to CI	654.00
-U	Vandal Proof Grate	124.00

FIG. 2248 DEEP BODY HEAVY DUTY FLOOR DRAIN WITH 12" TOP W/TRACTOR GRATE AND SUSPENDED SLOTTED SEDIMENT BUCKET

FUNCTION: Used in heavy traffic areas where debris is anticipated and must be intercepted. Large deep body and bucket are adaptable to areas where heavy flow and considerable debris are expected.



A OUTLET SIZE	TOP SIZE	FREE AREA SQ IN	B	†DUCO CI	DUCO CI PB TOP	DUCO CI NB TOP	APPROX. WEIGHT LBS
02"	12"	29	6 7/8"	1,334.00	1,799.00	1,869.00	70
03"	12"	29	6 3/8"	1,334.00	1,799.00	1,869.00	70
04"	12"	29	5 7/8"	1,334.00	1,799.00	1,869.00	70
05"	12"	29	5"	1,334.00	1,799.00	1,869.00	72
06"	12"	29	4 1/2"	1,334.00	1,799.00	1,869.00	72

REGULARLY FURNISHED: Duco Cast Iron Body and Flashing Collar with Cast Iron Grate and Suspended Slotted Sediment Bucket.

OUTLET VARIATIONS (Specify type of outlet and pipe size in inches.)

Outlet Type	Outlet Designation Type/Pipe Size	"F" Body HT. DIM.	ADD
Inside Caulk	C02	8 5/8"	N/C
	C03, C04	8 3/4"	N/C
	C05, C06	8 1/2"	N/C
Threaded	T02	8 5/8"	57.00
	T03, T04	8 3/4"	57.00
	T05, T06	8 1/2"	57.00
No-Hub	Y02, Y03, Y04		N/C
	Y05, Y06		See Fig. 2646Y

OPTIONS:

OPTION	DESCRIPTION	ADD
-BS	Bucket w/Mesh Screen	307.00
-DG	Deflector Grate	242.00
-FP	Seepage Holes in Bucket	182.00
-G	Galvanized CI	898.00
-M	Ductile Iron Grate	380.00
-P	Trap Primer Conn	99.00
-S	Square Top, CI	208.00
-SC	Solid Scoriated Cover	354.00
-SNB	Square Top, add to CI	755.00
-SPB	Square Top, add to CI	654.00
-U	Vandal Proof Grate	124.00

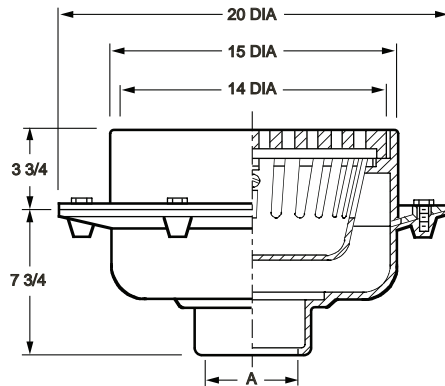


FLOOR DRAINS



FIG. 2250 LARGE CAPACITY HEAVY DUTY FLOOR DRAIN WITH 15" TOP W/TRACTOR GRATE AND SLOTTED SEDIMENT BUCKET

FUNCTION: For use in areas where heavy traffic occurs and water contains sediment and debris that must be intercepted. Large free area of top grate and deep sump handles large volume of water. Particularly suited for parking areas and playgrounds.



OUTLET VARIATIONS (Specify type of outlet and pipe size in inches.)

Outlet Type	Outlet Designation	Outlet Type/Pipe Size	Body HT DIM	ADD
Inside Caulk	C04, C05, C06, C08		7 3/4"	N/C
Threaded	T04, T05, T06, T08		7 3/4"	57.00

OPTIONS:	ADD
-BS Bucket w/Mesh Screen	465.00
-D Dome Grate, CI	244.00
-DNB Dome Grate, add to CI	2,349.00
-DPB Dome Grate, add to CI	2,043.00
-G Galvanized CI	324.00
-HC 2" High Collar	N/C
-M Ductile Iron Grate	464.00
-S Square Top, CI	286.00
-SNB Square Top, add to CI	2,014.00
-SPB Square Top, add to CI	1,808.00
-U Vandal Proof Grate	124.00

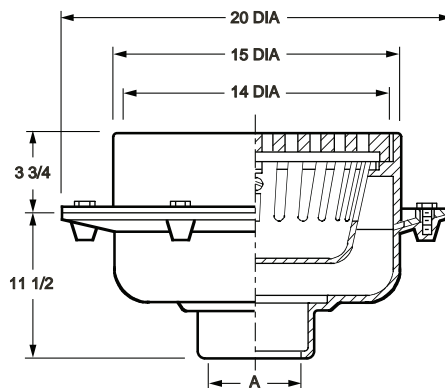
A OUTLET SIZE	TOP SIZE	FREE AREA SQ IN	†DUCO CI	DUCO CI PB TOP	DUCO CI NB TOP	APPROX. WEIGHT LBS
04, 05"	15"	45	2,271.00	4,399.00	4,536.00	110
06, 08"	15"	45	2,271.00	4,399.00	4,536.00	112

REGULARLY FURNISHED: Duco Cast Iron Body and Flashing Collar with Cast Iron Tractor Grate and Slotted Sediment Bucket.

FLOOR DRAINS

FIG. 2253 LARGE CAPACITY HEAVY DUTY FLOOR DRAIN WITH 15" TOP W/TRACTOR GRATE AND SLOTTED SEDIMENT BUCKET

FUNCTION: For use in areas where heavy traffic occurs and water contains sediment and debris that must be intercepted. Large free area of top grate and deep sump handles large volume of water. Particularly suited for parking areas and playgrounds.



OUTLET VARIATIONS (Specify type of outlet and pipe size in inches.)

Outlet Type	Outlet Designation	Outlet Type/Pipe Size	Body HT DIM	ADD
Inside Caulk	C04, C05, C06		11 1/2"	N/C
Threaded	T04, T05, T06		11 1/2"	57.00

OPTIONS:	ADD
-BS Bucket w/Mesh Screen	465.00
-D Dome Grate, CI	244.00
-DNB Dome Grate, add to CI	2,349.00
-DPB Dome Grate, add to CI	2,043.00
-FBSCI Flat Bottom Strainer	58.00
-G Galvanized CI	324.00
-HC 2" High Collar	N/C
-M Ductile Iron Grate	454.00
-S Square Top, CI	286.00
-SNB Square Top, add to CI	2,014.00
-SPB Square Top, add to CI	1,808.00
-U Vandal Proof Grate	124.00

A OUTLET SIZE	TOP SIZE	FREE AREA SQ IN	†DUCO CI	DUCO CI PB TOP	DUCO CI NB TOP	APPROX. WEIGHT LBS
04, 05"	15"	45	2,271.00	4,399.00	4,536.00	110
06"	15"	45	2,271.00	4,399.00	4,536.00	112

REGULARLY FURNISHED: Duco Cast Iron Body and Flashing Collar with Cast Iron Tractor Grate and Slotted Sediment Bucket.

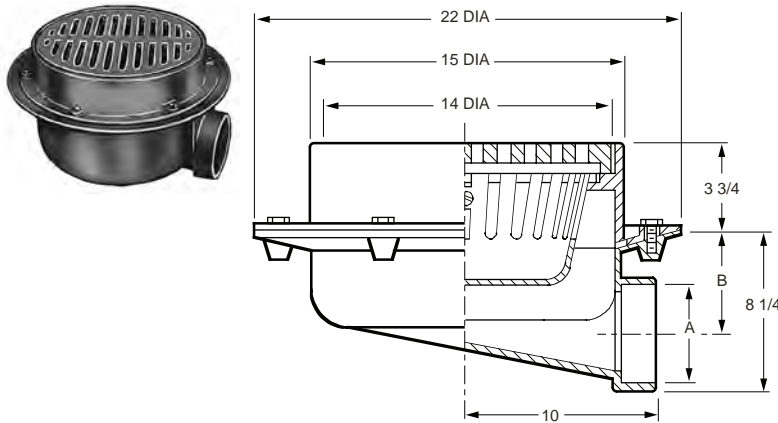


FLOOR DRAINS



FIG. 2255 LARGE CAPACITY HEAVY DUTY FLOOR DRAIN WITH 15" TOP W/TRACTOR GRATE AND SLOTTED SEDIMENT BUCKET

FUNCTION: For use in areas where heavy traffic occurs and water contains sediment and debris that must be intercepted. Large free area of top grate and deep sump handles large volume of water. Particularly suited for parking areas and playgrounds.



A OUTLET SIZE	TOP SIZE	FREE AREA SQ IN	B	†DUCO CI	DUCO CI PB TOP	DUCO CI NB TOP	APPROX. WEIGHT LBS
05"	15"	45	4 7/8"	2,577.00	4,705.00	4,842.00	110
06"	15"	45	4 3/8"	2,577.00	4,705.00	4,842.00	112

REGULARLY FURNISHED: Duco Cast Iron Body and Flashing Collar with Cast Iron Tractor Grate and Slotted Sediment Bucket.

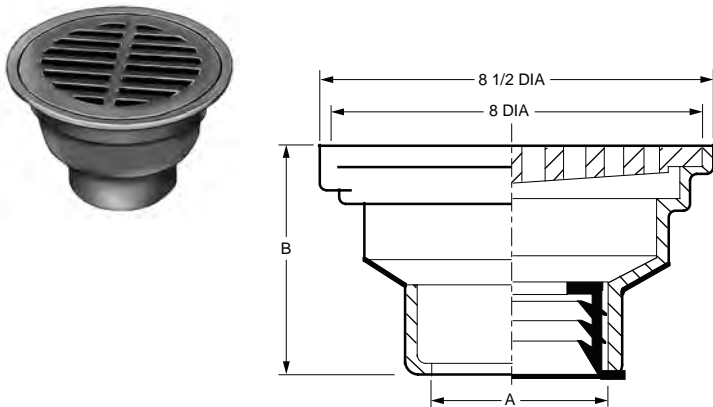
OUTLET VARIATIONS (Specify type of outlet and pipe size in inches.)

Outlet Type	Outlet Designation Designation Outlet Type/Pipe Size	ADD
Inside Caulk Only	C05, C06	N/C

OPTIONS:		ADD
-BS	Bucket w/Mesh Screen	465.00
-D	Dome Grate, CI	244.00
-DNB	Dome Grate, add to CI	2,349.00
-DPB	Dome Grate, add to CI	2,043.00
-G	Galvanized CI	324.00
-HC	2" High Collar	N/C
-M	Ductile Iron Grate	454.00
-S	Square Top, CI	286.00
-SNB	Square Top, add to CI	2,014.00
-SPB	Square Top, add to CI	1,808.00
-U	Vandal Proof Grate	124.00

FIG. 2270 SMALL AREA MEDIUM DUTY FLOOR DRAIN WITH 8 1/2" ROUND TOP W/BAR GRATE

FUNCTION: Used in areas with moderate traffic and where waste water contains no sediment or debris and construction requires a shallow body drain for on-grade applications.



A OUTLET SIZE	TOP SIZE	FREE AREA SQ IN	†DUCO CI	DUCO CI PB TOP	DUCO CI NB TOP	APPROX. WEIGHT LBS
02, 03, 04"	8 1/2"	14.25	362.00	675.00	746.00	13

REGULARLY FURNISHED: Duco Cast Iron Body and Loose Set Bar Grate.

OUTLET VARIATIONS (Specify type of outlet and pipe size in inches.)

Outlet Type	Outlet Designation Designation Outlet Type/Pipe Size	"B" Body HT. DIM.	ADD
Inside Caulk	C02, C03, C04	5"	N/C
Speedi-Set SW	L02, L03, L04	5"	N/C
Speedi-Set XH	LXH02, LXH03, LXH04	5"	N/C
Threaded	T02, T03, T04	3 1/2"	57.00
No-Hub	Y02, Y03, Y04	5"	N/C

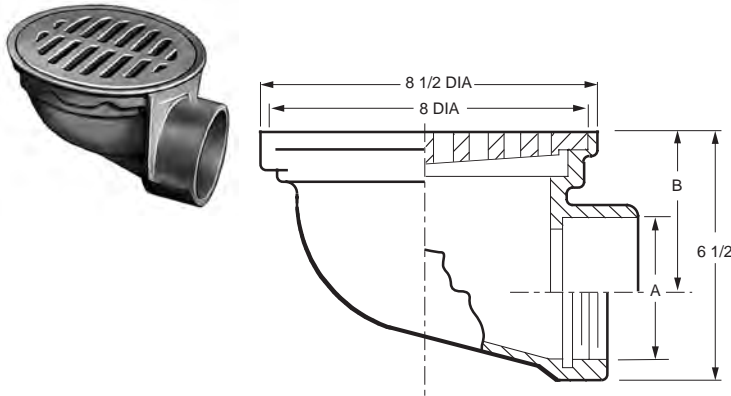
OPTIONS:		ADD
-AB	Sediment Bucket, Alum	151.00
-B	Sediment Bucket, CI	151.00
-D	Dome Grate, CI	93.00
-DNB	Dome Grate, add to CI	654.00
-DPB	Dome Grate, add to CI	525.00
-FBSCI	Flat Bottom Strainer	69.00
-G	Galvanized CI	224.00
-H	Hinged Grate	156.00
-M	Ductile Iron Grate	380.00
-P	Trap Primer Conn.	15.00
-S	Square Top, CI	196.00
-SNB	Square Top, add to CI	571.00
-SPB	Square Top, add to CI	472.00
-TG	Tractor Grate (Spec Fig. 2271)	99.00
-U	Vandal Proof Grate	124.00
-XP	Closure Plug, 02, 03"	238.00
	04"	400.00

FLOOR DRAINS



FIG. 2275 SMALL AREA MEDIUM DUTY FLOOR DRAIN WITH 8 1/2" ROUND TOP W/BAR GRATE

FUNCTION: Used in areas with moderate traffic and where waste water contains no sediment or debris and construction requires a shallow body drain for-on grade applications.



A OUTLET SIZE	TOP SIZE	FREE AREA SQ IN	B	†DUCO CI	DUCO CI PB TOP	DUCO CI NB TOP	APPROX. WEIGHT LBS
02"	8 1/2"	14.25	4 3/4"	745.00	1,058.00	1129.00	20
03"	8 1/2"	14.25	4 1/4"	745.00	1,058.00	1129.00	24
04"	8 1/2"	14.25	3 3/4"	745.00	1,058.00	1129.00	24

REGULARLY FURNISHED: Duco Cast Iron Body and Loose Set Bar Grate.

OUTLET VARIATIONS (Specify type of outlet and pipe size in inches.)

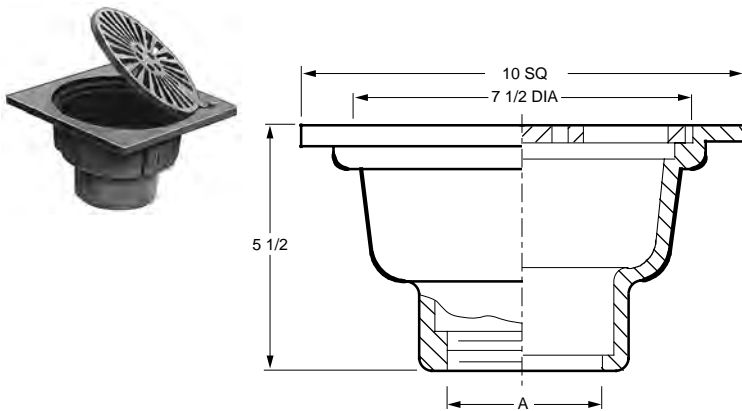
Outlet Type	Outlet Designation Outlet Type/Pipe Size	ADD
Inside Caulk	C02, C03, C04	N/C
Threaded	T02, T03, T04	57.00
No-Hub	Y02, Y03, Y04	See Fig 2646Y

OPTIONS:	ADD
-AB Sediment Bucket, Alum	151.00
-B Sediment Bucket	151.00
-D Dome Grate, CI	93.00
-DNB Dome Grate, add to CI	654.00
-DPB Dome Grate, add to CI	525.00
-G Galvanized CI	224.00
-H Hinged Grate	156.00
-M Ductile Iron Grate	380.00
-P Trap Primer Conn	15.00
-S Square Top, CI	196.00
-SNB Square Top, add to CI	571.00
-SPB Square Top, add to CI	472.00
-TG Tractor Grate (Specify 2276)	99.00
-U Vandal Proof Grate	124.00

FLOOR DRAINS

FIG. 2280 LIGHT DUTY FLOOR DRAIN WITH HINGED GRATE

FUNCTION: Used in light traffic in on-grade areas where the hinged grate eliminates loss of grate.



A OUTLET SIZE	TOP SIZE	FREE AREA SQ IN	†DUCO CI	DUCO CI PB TOP	DUCO CI NB TOP	APPROX. WEIGHT LBS
02"	10" SQ	16	332.00	836.00	858.00	20
03"	10" SQ	16	332.00	904.00	926.00	24
04"	10" SQ	16	472.00	1,106.00	1,128.00	29

REGULARLY FURNISHED: Duco Cast Iron Body and Slotted Hinged Grate.

OUTLET VARIATIONS (Specify type of outlet and pipe size in inches.)

Outlet Type	Outlet Designation Outlet Type/Pipe Size	ADD
Inside Caulk	C02, C03, C04	N/C
Threaded	T02, T03, T04	57.00
No-Hub	Y02, Y03, Y04	See Fig 2646Y

OPTIONS:	ADD
-AB Sediment Bucket, Alum	138.00
-B Sediment Bucket, CI	114.00
-BT Bell Trap	64.00
-D Hinged Dome Grate	120.00
-G Galvanized CI	241.00
-U Vandal Proof Grate	109.00

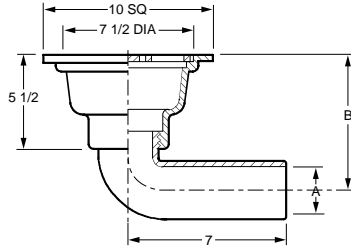


FLOOR DRAINS

FIG. 2285 LIGHT DUTY FLOOR DRAIN WITH HINGED GRATE



FUNCTION: Used in light traffic in on-grade areas where the hinged grate eliminates loss of grate.



A OUTLET SIZE	TOP SIZE	FREE AREA SQ IN	B	†DUCO CI	DUCO CI PB TOP	DUCO CI NB TOP	APPROX. WEIGHT LBS
02"	10" SQ	16	8	419.00	1,042.00	1,064.00	20
03"	10" SQ	16	8 1/4	605.00	1,228.00	1,250.00	24
04"	10" SQ	16	8 1/2	850.00	1,473.00	1,495.00	29

OUTLET VARIATIONS (Specify type of outlet and pipe size in inches.)

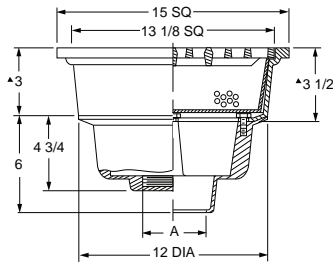
Outlet Type	Outlet Designation Outlet Type/Pipe Size	ADD
Spigot	S02, S03, S04	N/C

OPTIONS:

-B	Sediment Bucket	114.00
-D	Hinged Dome Grate	120.00
-G	Galvanized CI	241.00
-U	Vandal Proof Grate	109.00

REGULARLY FURNISHED: Duco Cast Iron Body and Slotted Hinged Grate.

FIG. 2295 HEAVY DUTY FLOOR DRAIN



A OUTLET SIZE	TOP SIZE	FREE AREA SQ IN	†DUCO CI	DUCO CI PB TOP	DUCO CI NB TOP	APPROX. WEIGHT LBS
02, 03, 04, 05, 06"	15"	75	1,714.00	2,834.00	3,056.00	49

REGULARLY FURNISHED: Duco Cast Iron Body and Flashing Collar with Secured Ductile Iron Grate and Stainless Steel Sediment Bucket.

OUTLET VARIATIONS (Specify type of outlet and pipe size in inches.)

Outlet Type	Outlet Designation Outlet Type/Pipe Size	ADD
Inside Caulk	C02, C03, C04, C05, C06	N/C
Speedi-Set SW	L02, L03, L04	N/C
Speedi-Set XH	LXH02, LXH03, LXH04	N/C
Threaded	T02, T03, T04, T05, T06	57.00
No-Hub	Y02, Y03, Y04, Y05, Y06	N/C

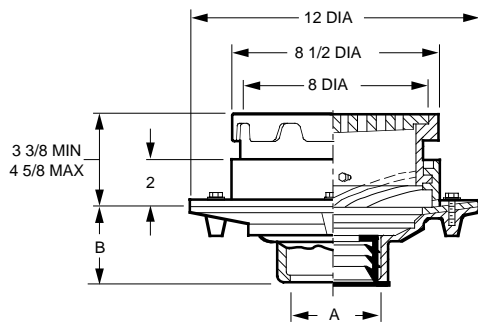
OPTIONS:

-FBS	Flat Bottom Strainer	36.00
-G	Galvanized CI	831.00
-U	Vandal Proof Grate	113.00

▲Add 3/16" when Bronze Top is specified.

FIG. 2310 MEDIUM DUTY FLOOR DRAIN WITH 8 1/2" ROUND ADJUSTABLE TOP

FUNCTION: Used in moderate traffic areas in any type of floor construction. Adjustable top collar permits accurate positioning of grate to meet finished floor level.



A OUTLET SIZE	TOP SIZE	FREE AREA SQ IN	†DUCO CI	DUCO CI PB TOP	DUCO CI NB TOP	APPROX. WEIGHT LBS
02, 03, 04"	8 1/2"	14.25	629.00	997.00	1,082.00	31

REGULARLY FURNISHED: Duco Cast Iron Body and Flashing Collar with Adjustable Top and Bar Grate.

OUTLET VARIATIONS (Specify type of outlet and pipe size in inches.)

Outlet Type	Outlet Designation Outlet Type/Pipe Size	"B" Body HT. DIM.	ADD
Inside Caulk	C02, C03, C04	3 3/4"	N/C
Speedi-Set SW	L02, L03, L04	3 3/4"	N/C
Speedi-Set XH	LXH02, LXH03, LXH04	3 3/4"	N/C
Threaded	T02, T03, T04	2"	57.00
No-Hub	Y02, Y03, Y04	3 3/4"	N/C

OPTIONS:

-B	Sediment Bucket	151.00
-D	Dome Grate, CI	73.00
-DBS	Dome Bottom Str, Aluminum	71.00
-DG	Deflector Grate	124.00
-DID*	Drain Installation Device	125.00
-DNB	Dome Grate, add to CI	554.00
-DPB	Dome Grate, add to CI	441.00
-E	Extension, ea 2" or fraction	168.00
-FBSCI	Flat Bottom Strainer, CI	69.00
-G	Galvanized CI	224.00
-H	Hinged Grate	148.00
-M	Ductile Iron Grate	380.00
-P	Trap Primer Connection	15.00
-S	Square Top, CI	196.00
-SNB	Square Top, add to CI	571.00
-SPB	Square Top, add to CI	472.00
-U	Vandal Proof Grate	124.00
-XP	Closure Plug, 02, 03" 04"	238.00 400.00

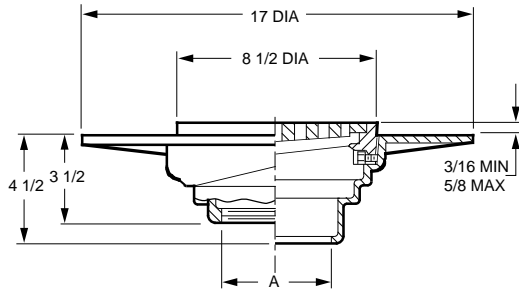
*Requires body modifications. Must be shipped complete w/drain from the factory.



FLOOR DRAINS

FIG. DX2312 WIDE FLANGE DECK DRAIN WITH 8 1/2" ROUND ADJUSTABLE TOP AND ADJUSTABLE LIP DIMENSION

FUNCTION: For use in floors where waterproof traffic bearing covering is applied. Top is adjustable to various floor covering thicknesses.



A OUTLET SIZE	TOP SIZE	FREE AREA SQ IN	†DUCO CI	DUCO CI PB TOP	DUCO CI NB TOP	APPROX. WEIGHT LBS
02, 03, 04"	8 1/2"	14.25	635.00	747.00	877.00	28

REGULARLY FURNISHED: Duco Cast Iron Body with Cast Iron Adjustable Top.

OUTLET VARIATIONS (Specify type of outlet and pipe size in inches.)

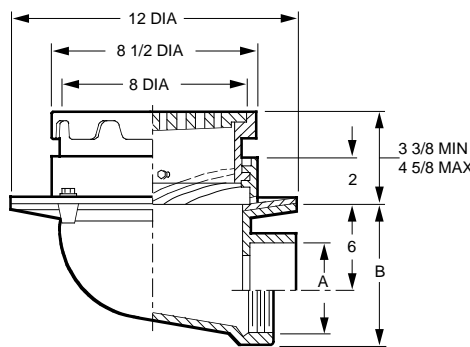
Outlet Type	Outlet Designation Outlet Type/Pipe Size	ADD
Inside Caulk	C02, C03, C04	N/C
Threaded	T02, T03, T04	57.00
No-Hub	Y02, Y03, Y04	See Fig 2646Y

OPTIONS:	ADD
-ARI ARC Inside	310.00
-ARIO ARC In and Out	310.00
-B Safe-Set Bucket	78.00
-G Galvanized CI	224.00
-SH Securing Holes	74.00
-U Vandal Proof Grate	124.00

FLOOR DRAINS

FIG. 2315 MEDIUM DUTY FLOOR DRAIN WITH 8 1/2" ROUND ADJUSTABLE TOP

FUNCTION: Used in moderate traffic areas in any type of floor construction. Adjustable top collar permits accurate positioning of grate to meet finished floor level.



A OUTLET SIZE	TOP SIZE	FREE AREA SQ IN	B	†DUCO CI	DUCO CI PB TOP	DUCO CI NB TOP	APPROX. WEIGHT LBS
02"	8 1/2"	14.25	4 1/4	773.00	1,141.00	1226.00	31
03"	8 1/2"	14.25	3 3/4	859.00	1,227.00	1312.00	31
04"	8 1/2"	14.25	3 1/4	887.00	1,255.00	1340.00	31

REGULARLY FURNISHED: Duco Cast Iron Body and Flashing Collar with Adjustable Top and Bar Grate.

OUTLET VARIATIONS (Specify type of outlet and pipe size in inches.)

Outlet Type	Outlet Designation Outlet Type/Pipe Size	ADD
Inside Caulk	C02, C03, C04	N/C
Threaded	T02, T03, T04	57.00
No-Hub	Y02, Y03, Y04	See Fig 2646Y

OPTIONS:	ADD
-AB Sediment Bucket, Alum	151.00
-B Sediment Bucket, CI	151.00
-D Dome Grate, CI	73.00
-DG Deflector Grate	124.00
-DNB Dome Grate, add to CI	554.00
-DPB Dome Grate, add to CI	441.00
-E Extension, ea 2" or fract	168.00
-G Galvanized CI	224.00
-H Hinged Grate	148.00
-M Ductile Iron Grate	380.00
-P Trap Primer Conn	15.00
-S Square Top, CI	196.00
-SNB Square Top, add to CI	571.00
-SPB Square Top, add to CI	472.00
-U Vandal Proof Grate	124.00

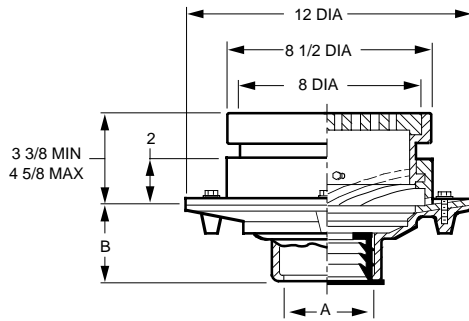


FLOOR DRAINS



FIG. 2320 MEDIUM DUTY FLOOR DRAIN WITH 8 1/2" ROUND ADJUSTABLE TOP AND TRACTOR GRATE

FUNCTION: Used in moderate traffic areas where waste water contains no sediment or debris and floor construction requires shallow drain body. Body flange and flashing collar serve as anchor in on-grade locations and as flashing clamp when installed in waterproof floors. Adjustable top collar permits accurate positioning of grate to meet finished floor level.



A OUTLET SIZE	TOP SIZE	FREE AREA SQ IN	†DUCO CI	DUCO CI PB TOP	DUCO CI NB TOP	APPROX. WEIGHT LBS
02, 03, 04"	8 1/2"	13	629.00	997.00	1,082.00	44

REGULARLY FURNISHED: Duco Cast Iron Body and Flashing Collar with Adjustable Top and Tractor Grate.

OUTLET VARIATIONS (Specify type of outlet and pipe size in inches.)

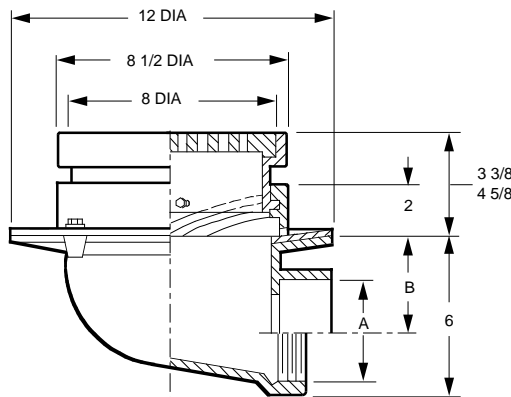
Outlet Type	Outlet Designation Outlet Type/Pipe Size	"B" Body HT. DIM.	ADD
Inside Caulk	C02, C03, C04	3 3/4"	N/C
Speedi-Set SW	L02, L03, L04	3 3/4"	N/C
Speedi-Set XH	LXH02, LXH03, LXH04	3 3/4"	N/C
Threaded	T02, T03, T04	2"	57.00
No-Hub	Y02, Y03, Y04	3 3/4"	N/C

OPTIONS:	ADD
-AB Aluminum Bucket	151.00
-ARI ARC Inside	310.00
-ARIO ARC In and Out	310.00
-B Sediment Bucket	151.00
-DID* Drain Installation Device	125.00
-E Extension, ea 2" or fract	168.00
-FBS Alum Flat Bottom Strainer	69.00
-FBS CI Flat Bottom Strainer, CI	69.00
-G Galvanized CI	224.00
-M Ductile Iron Grate	380.00
-P Trap Primer Conn	15.00
-S Square Top, CI	196.00
-SC Solid Scoriated Cover	294.00
-SNB Square Top, add to CI	571.00
-SPB Square Top, add to CI	472.00
-U Vandal Proof Grate	124.00
-XP Closure Plug, 02, 03" 04"	238.00 400.00

*Requires body modifications. Must be shipped complete w/drain from the factory.

FIG. 2325 MEDIUM DUTY FLOOR DRAIN WITH 8 1/2" ROUND ADJUSTABLE TOP AND TRACTOR GRATE

FUNCTION: Used in moderate traffic areas where waste water contains no sediment or debris and floor construction requires shallow drain body. Body flange and flashing collar serve as anchor in on-grade locations and as flashing clamp when installed in waterproof floors. Adjustable top collar permits accurate positioning of grate to meet finished floor level.



A OUTLET SIZE	TOP SIZE	FREE AREA SQ IN	B	†DUCO CI	DUCO CI PB TOP	DUCO CI NB TOP	APPROX. WEIGHT LBS
02"	8 1/2"	13	4 1/4"	773.00	1,141.00	1,226.00	44
03"	8 1/2"	13	3 3/4"	859.00	1,227.00	1,312.00	44
04"	8 1/2"	13	3 1/4"	887.00	1,255.00	1,340.00	44

REGULARLY FURNISHED: Duco Cast Iron Body and Flashing Collar with Adjustable Top and Tractor Grate.

OUTLET VARIATIONS (Specify type of outlet and pipe size in inches.)

Outlet Type	Outlet Designation Outlet Type/Pipe Size	ADD
Inside Caulk	C02, C03, C04	N/C
Threaded	T02, T03, T04	57.00
No-Hub	Y02, Y03, Y04	See Fig 2646Y

OPTIONS:	ADD
-AB Aluminum Bucket	151.00
-B Sediment Bucket	151.00
-E Extension, ea 2" or fract	168.00
-G Galvanized CI	224.00
-M Ductile Iron Grate	380.00
-P Trap Primer Conn	15.00
-S Square Top, CI	196.00
-SC Solid Scoriated Cover	294.00
-SNB Square Top, add to CI	571.00
-SPB Square Top, add to CI	472.00
-U Vandal Proof Grate	124.00

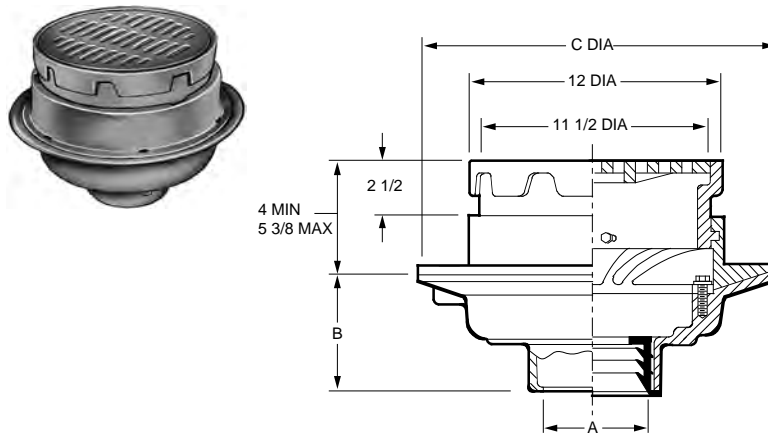


FLOOR DRAINS



FIG. 2330 MEDIUM DUTY FLOOR DRAIN WITH 12" ROUND ADJUSTABLE TOP

FUNCTION: Used in medium traffic areas where large top drain is required. Adjustable top collar permits accurate positioning of top grate to meet finished floor level.



A OUTLET SIZE	TOP SIZE	FREE AREA SQ IN	C DIA	†DUCO CI	DUCO CI PB TOP	DUCO CI NB TOP	APPROX. WEIGHT LBS
02, 03, 04"	12"	28.5	15 1/4"	1,033.00	1428.00	1490.00	57
05, 06"	12"	28.5	15 1/4"	1,033.00	1428.00	1490.00	57

REGULARLY FURNISHED: Duco Cast Iron Body and Flashing Collar with Adjustable Top and Bar Grate.

OUTLET VARIATIONS (Specify type of outlet and pipe size in inches.)

Outlet Type	Outlet Designation	"B" Body HT. DIM.	ADD
Inside Caulk	C02, C03, C04, C05, C06	5"	N/C
Speedi-Set SW	L02, L03, L04	5"	N/C
Speedi-Set XH	LXH02, LXH03, LXH04	5"	N/C
Threaded	T02, T03, T04, T05, T06	3 3/4"	57.00
No-Hub	Y02, Y03, Y04, Y05, Y06	5"	N/C

OPTIONS:

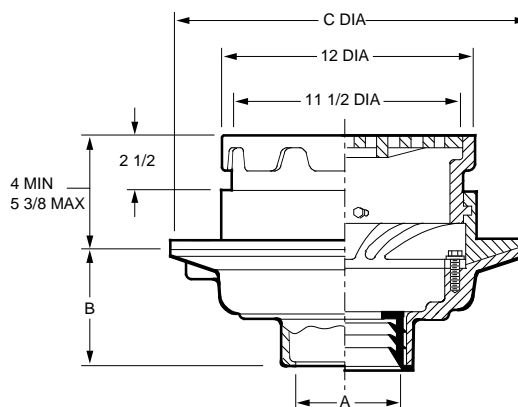
Option	ADD
-B Sediment Bucket	156.00
-D Dome Grate, CI	84.00
-DID Drain Installation Device	125.00
-DNB Dome Grate, add to CI	753.00
-DPB Dome Grate, add to CI	647.00
-E Ext, ea 2" or fract	168.00
-FBSCI Flat Bottom Strainer, CI	36.00
-FP Frost Proof Bucket	223.00
-G Galvanized CI	492.00
-H Hinged Grate	156.00
-M Ductile Iron Grate	380.00
-P Trap Primer Conn	99.00
-S Square Top, CI	208.00
-SNB Square Top, add to CI	753.00
-SPB Square Top, add to CI	654.00
-U Vandal Proof Grate	89.00

FLOOR DRAINS

FIG. 2331 MEDIUM DUTY FLOOR DRAIN WITH 12" ROUND ADJUSTABLE TOP

FUNCTION: Used in medium traffic areas where large top drain is required. Adjustable top collar permits accurate positioning of top grate to meet finished floor level.

2331
Same as
2330
with shallow
body



A OUTLET SIZE	TOP SIZE	FREE AREA SQ IN	C DIA	†DUCO CI	DUCO CI PB TOP	DUCO CI NB TOP	APPROX. WEIGHT LBS
02, 03, 04"	12"	28.5	16"	897.00	1,292.00	1,354.00	52
05, 06"	12"	28.5	16"	897.00	1,292.00	1,354.00	52

REGULARLY FURNISHED: Duco Cast Iron Body and Flashing Collar with Adjustable Top and Bar Grate.

OUTLET VARIATIONS (Specify type of outlet and pipe size in inches.)

Outlet Type	Outlet Designation	"B" Body HT. DIM.	ADD
Inside Caulk	C02, C03, C04, C05, C06	3 3/4"	N/C
Threaded	T02, T03, T04, T05, T06	3 3/4"	57.00
No-Hub	Y02, Y03, Y04, Y05, Y06	See Fig. 2646Y	

OPTIONS:

Option	ADD
-B Sediment Bucket	156.00
-D Dome Grate, CI	84.00
-DNB Dome Grate, add to CI	753.00
-DPB Dome Grate, add to CI	647.00
-E Ext, ea 2" or fract	168.00
-FP Frost Proof Bucket	223.00
-FBSCI Flat Bottom Strainer, CI	36.00
-G Galvanized CI	492.00
-H Hinged Grate	156.00
-M Ductile Iron Grate	380.00
-S Square Top, CI	208.00
-SNB Square Top, add to CI	753.00
-SPB Square Top, add to CI	654.00
-U Vandal Proof Grate	89.00

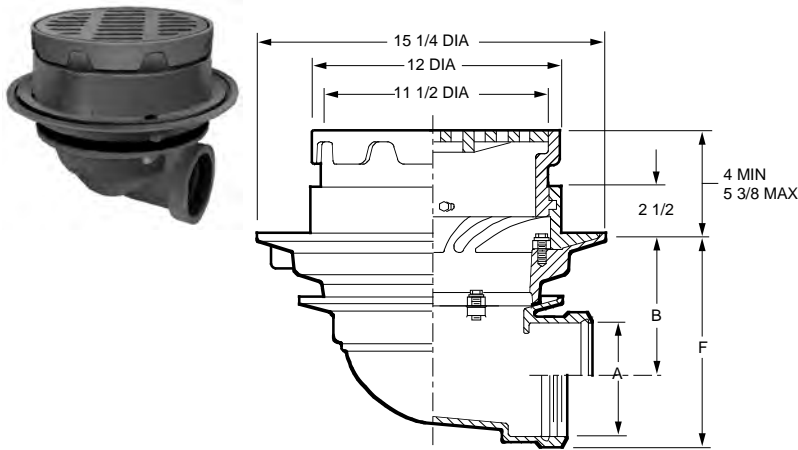


FLOOR DRAINS

FIG. 2335 MEDIUM DUTY FLOOR DRAIN WITH 12" ROUND ADJUSTABLE TOP



FUNCTION: Used in medium traffic areas where large top drain is required. Adjustable top collar permits accurate positioning of top grate to meet finished floor level.



A OUTLET SIZE	TOP SIZE	FREE AREA SQ IN	B	†DUCO CI	DUCO CI PB TOP	DUCO CI NB TOP	APPROX. WEIGHT LBS
02"	12"	28.5	6 7/8"	1,159.00	1,554.00	1,616.00	76
03"	12"	28.5	6 3/8"	1,159.00	1,554.00	1,616.00	76
04"	12"	28.5	5 7/8"	1,159.00	1,554.00	1,616.00	76
05"	12"	28.5	5"	1,159.00	1,554.00	1,616.00	78
06"	12"	28.5	4 1/2"	1,159.00	1,554.00	1,616.00	78

REGULARLY FURNISHED: Duco Cast Iron Body and Flashing Collar with Adjustable Top and Bar Grate.

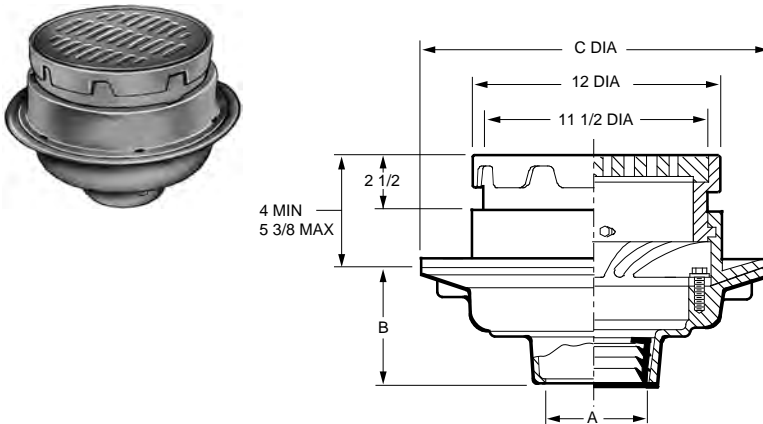
OUTLET VARIATIONS (Specify type of outlet and pipe size in inches.)

Outlet Type	Outlet Designation Type/Pipe Size	"F" Body HT. DIM.	ADD
Inside Caulk	C02	8 5/8"	N/C
	C03, C04	8 3/4"	N/C
	C05, C06	8 1/2"	N/C
Threaded	T02	8 5/8"	57.00
	T03, T04	8 3/4"	57.00
	T05, T06	8 1/2"	57.00
No-Hub	Y02	8 5/8"	N/C
	Y03, Y04	8 3/4"	N/C
	Y05, Y06	See Fig. 2646Y	

OPTIONS:	ADD
-B Sediment Bucket	177.00
-D Dome Grate, CI	84.00
-DNB Dome Grate, add to CI	753.00
-DPB Dome Grate, add to CI	647.00
-E Ext, ea 2" or fract	168.00
-G Galvanized CI	444.00
-H Hinged Grate	156.00
-M Ductile Iron Grate	380.00
-S Square Top, CI	208.00
-SNB Square Top, add to CI	753.00
-SPB Square Top, add to CI	654.00
-U Vandal Proof Grate	89.00

FIG. 2340 HEAVY DUTY FLOOR DRAIN WITH 12" ROUND ADJUSTABLE TOP AND TRACTOR GRATE

FUNCTION: Used in heavy duty traffic areas where large top drain is required. Adjustable top collar permits accurate positioning of grate to meet finished floor level.



A OUTLET SIZE	TOP SIZE	FREE AREA SQ IN	C DIA	†DUCO CI	DUCO CI PB TOP	DUCO CI NB TOP	APPROX. WEIGHT LBS
02, 03, 04"	12"	29	15 1/4"	1,091.00	1,486.00	1,548.00	62
05, 06"	12"	29	15 1/4"	1,091.00	1,486.00	1,548.00	64

REGULARLY FURNISHED: Duco Cast Iron Body and Flashing Collar with Adjustable Top and Tractor Grate.

OUTLET VARIATIONS (Specify type of outlet and pipe size in inches.)

Outlet Type	Outlet Designation Type/Pipe Size	"B" Body HT. DIM.	ADD	
Inside Caulk	C02, C03, C04, C05, C06	5"	N/C	
	Speedi-Set SW	L02, L03, L04	5"	N/C
	Speedi-Set XH	LXH02, LXH03, LXH04	5"	N/C
Threaded	T02, T03, T04, T05, T06	3 3/4"	57.00	
No-Hub	Y02, Y03, Y04, Y05, Y06	5"	N/C	

OPTIONS:	ADD
-B Sediment Bucket	177.00
-DID Drain Installation Device	125.00
-FBSCI Flat Bottom Strainer, CI	69.00
-FP Frost Proof Bucket	223.00
-E Ext, ea 2" or fract	168.00
-G Galvanized CI	444.00
-M Ductile Iron Grate	380.00
-P Trap Primer Conn	99.00
-S Square Top, CI	208.00
-SNB Square Top, add to CI	753.00
-SPB Square Top, add to CI	654.00
-U Vandal Proof Grate	89.00



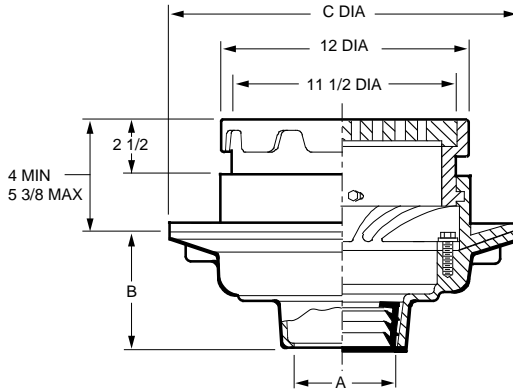
FLOOR DRAINS



FIG. 2341 HEAVY DUTY FLOOR DRAIN WITH 12" ROUND ADJUSTABLE TOP AND TRACTOR GRATE

FUNCTION: Used in heavy duty traffic areas where large top drain is required. Adjustable top collar permits accurate positioning of grate to meet finished floor level.

2341
Same as
2340
with shallow
body



A OUTLET SIZE	TOP SIZE	FREE AREA SQ IN	C DIA	†DUCO CI	DUCO CI PB TOP	DUCO CI NB TOP	APPROX. WEIGHT LBS
02, 03, 04"	12"	29	16"	1,091.00	1,486.00	1,548.00	57
05, 06"	12"	29	16"	1,091.00	1,486.00	1,548.00	59

REGULARLY FURNISHED: Duco Cast Iron Body and Flashing Collar with Adjustable Top and Tractor Grate.

OUTLET VARIATIONS (Specify type of outlet and pipe size in inches.)

Outlet Type	Outlet Designation Outlet Type/Pipe Size	"B" Body HT. DIM.	ADD
Inside Caulk	C02, C03, C04, C05, C06	3 3/4"	N/C
Threaded	T02, T03, T04, T05, T06	3 3/4"	57.00
No-Hub	Y02, Y03, Y04, Y05, Y06	See Fig. 2646Y	

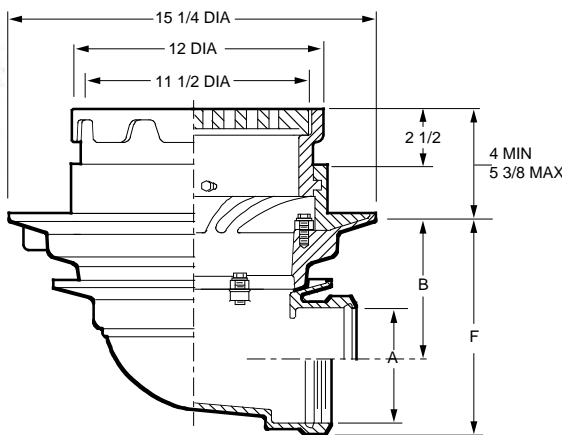
OPTIONS:

	ADD
-B Sediment Bucket	177.00
-E Ext., ea 2" or fract	168.00
-FBSCI Flat Bottom Strainer, CI	69.00
-FP Frost Proof Sediment Bucket	223.00
-G Galvanized CI	444.00
-M Ductile Iron Grate	380.00
-P Trap Primer Connection	99.00
-S Square Top, CI	208.00
-SNB Square Top, add to CI	753.00
-SPB Square Top, add to CI	654.00
-U Vandal Proof Grate	89.00

FLOOR DRAINS

FIG. 2345 HEAVY DUTY FLOOR DRAIN WITH 12" ROUND ADJUSTABLE TOP AND TRACTOR GRATE

FUNCTION: Used in heavy duty traffic areas where large top drain is required. Adjustable top collar permits accurate positioning of grate to meet finished floor level.



A OUTLET SIZE	TOP SIZE	FREE AREA SQ IN	B	†DUCO CI	DUCO CI PB TOP	DUCO CI NB TOP	APPROX. WEIGHT LBS
02"	12"	29	6 7/8"	881.00	1,386.00	1,426.00	74
03"	12"	29	6 3/8"	881.00	1,472.00	1,512.00	74
04"	12"	29	5 7/8"	909.00	1,500.00	1,540.00	74
05"	12"	29	5"	1,060.00	1,657.00	1,697.00	76
06"	12"	29	4 1/2"	1,060.00	1,657.00	1,697.00	76

REGULARLY FURNISHED: Duco Cast Iron Body and Flashing Collar with Adjustable Top and Tractor Grate.

OUTLET VARIATIONS (Specify type of outlet and pipe size in inches.)

Outlet Type	Outlet Designation Outlet Type/Pipe Size	"F" Body HT. DIM.	ADD
Inside Caulk	C02	8 5/8"	N/C
	C03, C04	8 3/4"	N/C
	C05, C06	8 1/2"	N/C
Threaded	T02	8 5/8"	57.00
	T03, T04	8 3/4"	57.00
	T05, T06	8 1/2"	57.00
No-Hub	Y02	8 5/8"	N/C
	Y03, Y04	8 3/4"	N/C
	Y05, Y06	See Fig. 2646Y	

OPTIONS:

	ADD
-B Sediment Bucket	177.00
-E Ext., ea 2" or fract	168.00
-G Galvanized CI	444.00
-M Ductile Iron Grate	380.00
-P Trap Primer Conn	99.00
-S Square Top, CI	208.00
-SNB Square Top, add to CI	753.00
-SPB Square Top, add to CI	654.00
-U Vandal Proof Grate	89.00

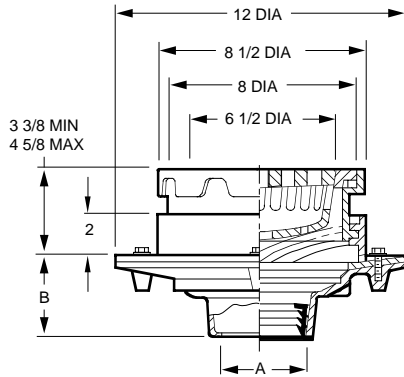


FLOOR DRAINS

FIG. 2350 FLOOR DRAIN WITH 8 1/2" ROUND ADJUSTABLE TOP AND "SAFE-SET" SEDIMENT BUCKET



FUNCTION: Used in any type of floor construction where accurate positioning of grate is necessary to meet finished floor level and where waste water contains solids or debris that must be intercepted. "Safe-Set" design insures bucket replacement after cleaning, since top grate cannot be inserted unless bucket is in place.



A OUTLET SIZE	TOP SIZE	FREE AREA SQ IN	†DUCO CI	DUCO CI PB TOP	DUCO CI NB TOP	APPROX. WEIGHT LBS
02, 03, 04"	8 1/2"	10.5	504.00	770.00	833.00	50

REGULARLY FURNISHED: Duco Cast Iron Body and Flashing Collar with Adjustable Top and Bar Grate with Sediment Bucket.

OUTLET VARIATIONS (Specify type of outlet and pipe size in inches.)

Outlet Type	Outlet Designation Outlet Type/Pipe Size	"B" Body HT. DIM.	ADD
Inside Caulk	C02, C03, C04	3 3/4"	68.00
Speedi-Set SW	L02, L03, L04	3 3/4"	28.00
Speedi-Set XH	LXH02, LXH03, LXH04	3 3/4"	28.00
Threaded	T02, T03, T04	2"	68.00
No-Hub	Y02, Y03, Y04	3 3/4"	N/C

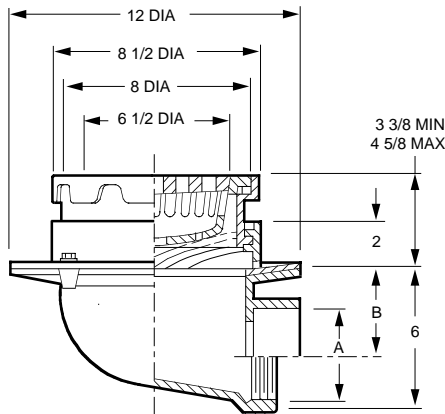
OPTIONS:

OPTION	DESCRIPTION	ADD
-D	Dome Grate, CI	93.00
-DID*	Drain Installation Device	125.00
-DNB	Dome Grate, add to CI	554.00
-DPB	Dome Grate, add to CI	441.00
-E	Ext, ea 2" or fract	168.00
-FBSCI	Flat Bottom Strainer, CI	69.00
-G	Galvanized CI	339.00
-MBG	Ductile Iron Bucket & Grate	304.00
-P	Trap Primer Conn	15.00
-S	Square Top, CI	196.00
-SNB	Square Top, add to CI	571.00
-SPB	Square Top, add to CI	472.00
-U	Vandal Proof Grate	124.00

*Requires body modifications. Must be shipped complete w/drain from the factory.

FIG. 2355 FLOOR DRAIN WITH 8 1/2" ROUND ADJUSTABLE TOP AND "SAFE-SET" SEDIMENT BUCKET

FUNCTION: Used in any type of floor construction where accurate positioning of grate is necessary to meet finished floor level and where waste water contains solids or debris that must be intercepted. "Safe-Set" design insures bucket replacement after cleaning, since top grate cannot be inserted unless bucket is in place.



A OUTLET SIZE	TOP SIZE	FREE AREA SQ IN	B	†DUCO CI	DUCO CI PB TOP	DUCO CI NB TOP	APPROX. WEIGHT LBS
02"	8 1/2"	10.5	4 1/4"	637.00	903.00	966.00	62
03"	8 1/2"	10.5	3 3/4"	637.00	903.00	966.00	62
04"	8 1/2"	10.5	3 1/4"	637.00	903.00	966.00	62

REGULARLY FURNISHED: Duco Cast Iron Body and Flashing Collar with Adjustable Top and Bar Grate with Sediment Bucket.

OUTLET VARIATIONS (Specify type of outlet and pipe size in inches.)

Outlet Type	Outlet Designation Outlet Type/Pipe Size	ADD
Inside Caulk	C02, C03, C04	N/C
Threaded	T02, T03, T04	57.00
No-Hub	Y02, Y03, Y04	See Fig. 2646Y

OPTIONS:

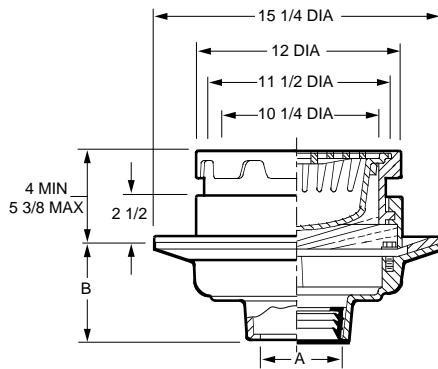
OPTION	DESCRIPTION	ADD
-D	Dome Grate, CI	93.00
-DNB	Dome Grate, add to CI	554.00
-DPB	Dome Grate, add to CI	441.00
-E	Extension, ea 2" or fract	168.00
-G	Galvanized CI	339.00
-MBG	Ductile Iron Bucket & Grate	304.00
-P	Trap Primer Conn	15.00
-S	Square Top, CI	196.00
-SNB	Square Top, add to CI	571.00
-SPB	Square Top, add to CI	472.00
-U	Vandal Proof Grate	124.00

FLOOR DRAINS



FIG. 2360 MEDIUM DUTY FLOOR DRAIN WITH 12" ROUND ADJUSTABLE TOP AND "SAFE-SET" SEDIMENT BUCKET

FUNCTION: Used in moderate traffic areas in any type of floor construction where accurate positioning of grate is necessary to meet the finished floor level and where the waste water contains solids and debris that must be intercepted. Large top will accept higher flow rates. "Safe-Set" design insures bucket replacement after cleaning since top grate cannot be inserted unless bucket is in place.



A OUTLET SIZE	TOP SIZE	FREE AREA SQ IN	†DUCO CI	DUCO CI PB TOP	DUCO CI NB TOP	APPROX. WEIGHT LBS
02, 03, 04"	12"	25.5	1,091.00	1,486.00	1,548.00	87
05, 06"	12"	25.5	1,091.00	1,486.00	1,548.00	89

REGULARLY FURNISHED: Duco Cast Iron Body and Flashing Collar with Adjustable Top and Bar Grate with Sediment Bucket.

OUTLET VARIATIONS (Specify type of outlet and pipe size in inches.)

Outlet Type	Outlet Designation Outlet Type/Pipe Size	"B" Body HT. DIM.	ADD
Inside Caulk	C02, C03, C04, C05, C06	5"	N/C
Speedi-Set SW	L02, L03, L04	5"	N/C
Speedi-Set XH	LXH02, LXH03, LXH04	5"	N/C
Threaded	T02, T03, T04, T05, T06	3"	57.00
No-Hub	Y02, Y03, Y04, Y05, Y06	5"	N/C

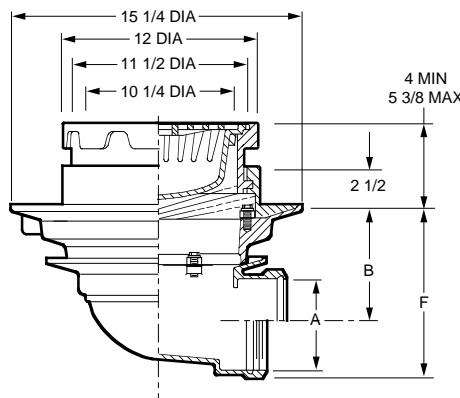
OPTIONS:

		ADD
-ARIO	ARC In and Out	614.00
-DID	Drain Installation Device	614.00
-E	Adjus Ext, 4 1/2 to 6"	168.00
-FBSCI	Flat Bottom Strainer, CI	69.00
-G	Galvanized CI	444.00
-H	Hinged Grate	156.00
-MBG	Ductile Iron Bucket & Grate	420.00
-P	Trap Primer Conn	99.00
-S	Square Top, CI	208.00
-SNB	Square Top, add to CI	753.00
-SPB	Square Top, add to CI	654.00
-U	Vandal Proof Grate	89.00

FLOOR DRAINS

FIG. 2365 MEDIUM DUTY FLOOR DRAIN WITH 12" ROUND ADJUSTABLE TOP AND "SAFE-SET" SEDIMENT BUCKET

FUNCTION: Used in moderate traffic areas in any type of floor construction where accurate positioning of grate is necessary to meet the finished floor level and where the waste water contains solids and debris that must be intercepted. Large top will accept higher flow rates. "Safe-Set" design insures bucket replacement after cleaning since top grate cannot be inserted unless bucket is in place.



A OUTLET SIZE	TOP SIZE	FREE AREA SQ IN	B	†DUCO CI	DUCO CI PB TOP	DUCO CI NB TOP	APPROX. WEIGHT LBS
02"	12"	25.5	6 7/8"	1,176.00	1,571.00	1633.00	95
03"	12"	25.5	6 3/8"	1,176.00	1,571.00	1633.00	95
04"	12"	25.5	5 7/8"	1,176.00	1,571.00	1633.00	95
05"	12"	25.5	5"	1,176.00	1,571.00	1633.00	97
06"	12"	25.5	4 1/2"	1,176.00	1,571.00	1633.00	97

REGULARLY FURNISHED: Duco Cast Iron Body and Flashing Collar with Adjustable Top and Bar Grate with Sediment Bucket.

OUTLET VARIATIONS (Specify type of outlet and pipe size in inches.)

Outlet Type	Outlet Designation Outlet Type/Pipe Size	"F" Body HT. DIM.	ADD
Inside Caulk	C02	8 5/8"	N/C
	C03, C04	8 3/4"	N/C
	C05, C06	8 1/2"	N/C
Threaded	T02	8 5/8"	57.00
	T03, T04	8 3/4"	57.00
	T05, T06	8 1/2"	57.00
No-Hub	Y02	8 5/8"	N/C
	Y03, Y04	8 3/4"	N/C
	Y05, Y06	See Fig. 2646Y	

OPTIONS:

		ADD
-E	Ext, ea 2" or fract	168.00
-G	Galvanized CI	444.00
-H	Hinged Grate	156.00
-M	Ductile Iron Grate Only	380.00
-MBG	Ductile Iron Bucket & Grate	420.00
-S	Square Top, CI	208.00
-SNB	Square Top, add to CI	753.00
-SPB	Square Top, add to CI	654.00
-U	Vandal Proof Grate	89.00



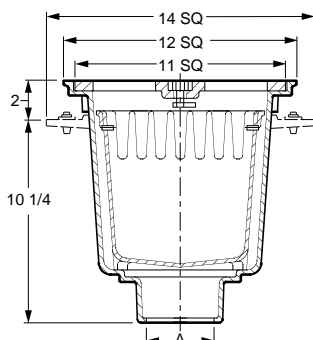
FLOOR DRAINS

FIG. 2410 TRAFFIC FLOOR DRAIN WITH 12" SQUARE TOP AND FREE STANDING SEDIMENT BUCKET



FUNCTION: Used in boiler rooms, industrial plants and other applicable areas where waste water contains debris or salvageable materials which must be intercepted. Large hinged grate permits easy access for bucket removal.

2410
Same as
2415
less Flange



A OUTLET SIZE	TOP SIZE	FREE AREA SQ IN	†DUCO CI	DUCO CI PB TOP	DUCO CI NB TOP	APPROX. WEIGHT LBS
03, 04"	12" SQ	27	1,239.00	1,793.00	1,905.00	85
05, 06"	12" SQ	27	1,239.00	1,793.00	1,905.00	85

REGULARLY FURNISHED: Duco Cast Iron Body with Hinged Grate, Locking Device and Sediment Bucket.

OUTLET VARIATIONS (Specify type of outlet and pipe size in inches.)

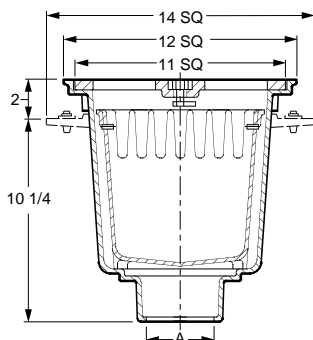
Outlet Type	Outlet Designation Outlet Type/Pipe Size	ADD
Inside Caulk	C03, C04, C05, C06	N/C
Threaded	T03, T04, T05, T06	57.00
No-Hub	Y03, Y04, Y05, Y06	N/C

OPTIONS:	ADD
-AB Aluminum Bucket	230.00
-ARI ARC Inside	628.00
-ARIO ARC In and Out	628.00
-FBSCI Flat Bottom Strainer, CI	58.00
-G Galvanized CI	540.00
-M Ductile Iron Grate	367.00
-P Trap Primer Conn	99.00
-SC Solid Scoriated Cover	294.00
-SSM SS Mesh on Bucket	253.00
-U Vandal Proof Grate	89.00

DEDUCT	
-LB Less Bucket	101.00
-LLD Less Locking Device	190.00
-LSG Loose Set Grate	334.00

FIG. 2415 TRAFFIC FLOOR DRAIN WITH 12" SQUARE TOP AND FREE STANDING SEDIMENT BUCKET

FUNCTION: Used in boiler rooms, industrial plants and other applicable areas where waste water contains debris or salvageable materials which must be intercepted. Large hinged grate permits easy access for bucket removal.



A OUTLET SIZE	TOP SIZE	FREE AREA SQ IN	†DUCO CI	DUCO CI PB TOP	DUCO CI NB TOP	APPROX. WEIGHT LBS
03, 04"	12" SQ	27	1,239.00	1,793.00	1,905.00	85
05, 06"	12" SQ	27	1,239.00	1,793.00	1,905.00	85

REGULARLY FURNISHED: Duco Cast Iron Body with Hinged Grate, Locking Device and Sediment Bucket.

OUTLET VARIATIONS (Specify type of outlet and pipe size in inches.)

Outlet Type	Outlet Designation Outlet Type/Pipe Size	ADD
Inside Caulk	C03, C04, C05, C06	N/C
Threaded	T03, T04, T05, T06	57.00
No-Hub	Y03, Y04, Y05, Y06	N/C

OPTIONS:	ADD
-AB Aluminum Bucket	230.00
-ARI ARC Inside	628.00
-ARIO ARC In and Out	628.00
-C Flashing Clamp	N/C
-FBSCI Flat Bottom Strainer, CI	58.00
-G Galvanized CI	540.00
-M Ductile Iron Grate	367.00
-P Trap Primer Conn	99.00
-SSM SS Mesh on Bucket	253.00
-SC Solid Scoriated Cover	294.00
-U Vandal Proof Grate	89.00

DEDUCT	
-LB Less Bucket	101.00
-LLD Less Locking Device	190.00
-LSG Loose Set Grate	334.00

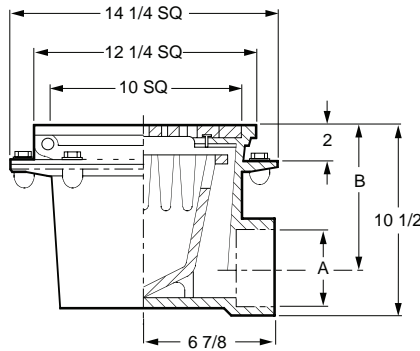
FLOOR DRAINS



FIG. 2420 TRAFFIC FLOOR DRAIN WITH 12" SQUARE TOP AND FREE STANDING SEDIMENT BUCKET

FUNCTION: Used in boiler rooms, industrial plants and other applicable areas where waste water contains debris or salvageable materials which must be intercepted. Large hinged grate permits easy access for bucket removal.

2420
Same as
2425
less Flange



A OUTLET SIZE	TOP SIZE	FREE AREA SQ IN	B	†DUCO CI	DUCO CI PB TOP	DUCO CI NB TOP	APPROX. WEIGHT LBS
03"	12" SQ	27	6 1/4"	1,353.00	1,907.00	2,019.00	65
04"	12" SQ	27	5 3/4"	1,353.00	1,907.00	2,019.00	65
05"	12" SQ	27	5 1/4"	1,353.00	1,907.00	2,019.00	65
06"	12" SQ	27	4 3/4"	1,353.00	1,907.00	2,019.00	65

REGULARLY FURNISHED: Duco Cast Iron Body with Hinged Grate, Locking Device and Sediment Bucket.

OUTLET VARIATIONS (Specify type of outlet and pipe size in inches.)

Outlet Type	Outlet Designation Outlet Type/Pipe Size	ADD
Inside Caulk Only	C03, C04, C05, C06	N/C

OPTIONS:

		ADD
-AB	Aluminum Bucket	230.00
-ARI	ARC Inside	628.00
-ARIO	ARC In and Out	628.00
-G	Galvanized CI	540.00
-M	Ductile Iron Grate	397.00
-P	Trap Primer Conn	99.00
-SC	Solid Scoriated Cover	294.00
-SSM	SS Mesh on Bucket	253.00
-U	Vandal Proof Grate	89.00

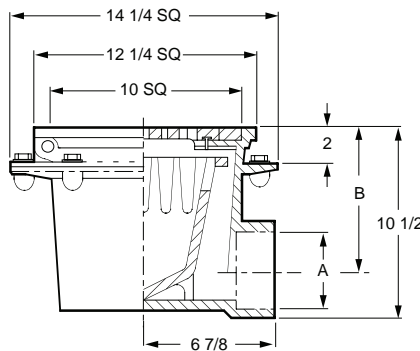
DEDUCT

-LB	Less Bucket	101.00
-LLD	Less Locking Device	190.00
-LSG	Loose Set Grate	334.00

FLOOR DRAINS

FIG. 2425 TRAFFIC FLOOR DRAIN WITH 12" SQUARE TOP AND FREE STANDING SEDIMENT BUCKET

FUNCTION: Used in boiler rooms, industrial plants and other applicable areas where waste water contains debris or salvageable materials which must be intercepted. Large hinged grate permits easy access for bucket removal.



A OUTLET SIZE	TOP SIZE	FREE AREA SQ IN	B	†DUCO CI	DUCO CI PB TOP	DUCO CI NB TOP	APPROX. WEIGHT LBS
03"	12" SQ	27	6 1/4"	1,353.00	1,907.00	2,019.00	65
04"	12" SQ	27	5 3/4"	1,353.00	1,907.00	2,019.00	65
05"	12" SQ	27	5 1/4"	1,353.00	1,907.00	2,019.00	65
06"	12" SQ	27	4 3/4"	1,353.00	1,907.00	2,019.00	65

REGULARLY FURNISHED: Duco Cast Iron Body with Hinged Grate, Locking Device and Sediment Bucket.

OUTLET VARIATIONS (Specify type of outlet and pipe size in inches.)

Outlet Type	Outlet Designation Outlet Type/Pipe Size	ADD
Inside Caulk Only	C03, C04, C05, C06	N/C

OPTIONS:

		ADD
-AB	Aluminum Bucket	230.00
-ARI	ARC Inside	628.00
-ARIO	ARC In and Out	628.00
-C	Flashing Clamp	N/C
-G	Galvanized CI	546.00
-M	Ductile Iron Grate	397.00
-P	Trap Primer Conn	99.00
-SC	Solid Scoriated Cover	294.00
-SSM	SS Mesh on Bucket	253.00
-U	Vandal Proof Grate	334.00

DEDUCT

-LB	Less Bucket	101.00
-LLD	Less Locking Device	190.00
-LSG	Loose Set Grate	334.00

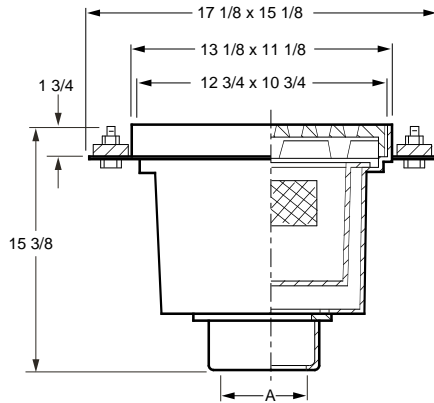


FLOOR DRAINS

FIG. 2450 TRAFFIC FLOOR DRAIN WITH LARGE CAPACITY SEDIMENT BUCKET



FUNCTION: Used in heavy traffic areas in industrial plants and boiler rooms. Sediment bucket collects debris such as grit and other solids. Large top and deep body will handle large flow of water.



OUTLET VARIATIONS (Specify type of outlet and pipe size in inches.)

Outlet Type	Outlet Designation	Outlet Type/Pipe Size	ADD
Inside Caulk	C03, C04, C05, C06		N/C
Threaded	T03, T04, T05, T06		57.00
No-Hub	Y03, Y04, Y05, Y06		N/C

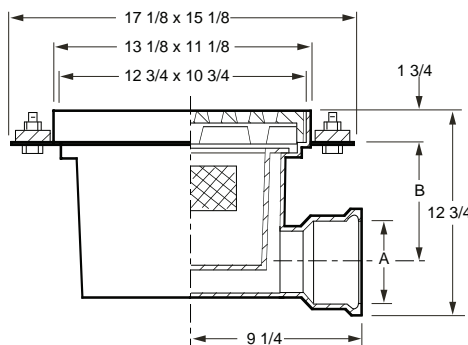
OPTIONS:	ADD
-C Flashing Clamp	117.00
-FBSCI Flat Bottom Strainer, CI	58.00
-GG Galvanized CI Grate	562.00
-M Ductile Iron Grate	373.00
-SSB SS Perforated Bucket	133.00

A OUTLET SIZE	TOP SIZE	FREE AREA SQ IN	†DUCO CI	DUCO CI PB TOP	DUCO CI NB TOP	APPROX. WEIGHT LBS
03, 04"	13 1/8 x 11 1/8"	40	2,100.00	2,904.00	2,992.00	100
05, 06"	13 1/8 x 11 1/8"	40	2,100.00	2,904.00	2,992.00	105

REGULARLY FURNISHED: Fabricated Steel Body with Galvanized Coating Inside and Outside and Cast Iron Grate and Stainless Steel Ported Bucket with Mesh Screen and Lift Bar.

FIG. 2455 TRAFFIC FLOOR DRAIN WITH LARGE CAPACITY SEDIMENT BUCKET

FUNCTION: Used in heavy traffic areas in industrial plants and boiler rooms. Sediment bucket collects debris such as grit and other solids. Large top and deep body will handle large flow of water.



OUTLET VARIATIONS (Specify type of outlet and pipe size in inches.)

Outlet Type	Outlet Designation	Outlet Type/Pipe Size	ADD
Inside Caulk	C03, C04, C05, C06		N/C
Threaded	T03, T04, T05, T06		57.00
No-Hub	Y03, Y04, Y05, Y06		N/C

OPTIONS:	ADD
-C Flashing Clamp	117.00
-GG Galvanized CI Grate	562.00
-M Ductile Iron Grate	373.00
-SSB SS Perforated Bucket	133.00

A OUTLET SIZE	TOP SIZE	FREE AREA SQ IN	B	†DUCO CI	DUCO CI PB TOP	DUCO CI NB TOP	APPROX. WEIGHT LBS
03"	13 1/8 x 11 1/8"	40	8 1/4"	2,246.00	3,050.00	3,138.00	105
04"	13 1/8 x 11 1/8"	40	7 3/4"	2,246.00	3,050.00	3,138.00	105
05"	13 1/8 x 11 1/8"	40	7 1/4"	2,246.00	3,050.00	3,138.00	110
06"	13 1/8 x 11 1/8"	40	6 3/4"	2,246.00	3,050.00	3,138.00	110

REGULARLY FURNISHED: Fabricated Steel Body with Galvanized Coating Inside and Outside and Cast Iron Grate and Stainless Steel Ported Bucket with Mesh Screen and Lift Bar.

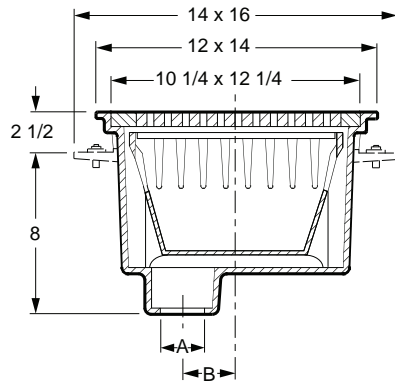


FLOOR DRAINS



FIG. 2470 HEAVY DUTY TRAFFIC FLOOR DRAIN WITH OFFSET OUTLET, HINGED GRATE AND FREE STANDING SEDIMENT BUCKET

FUNCTION: Used in moderate traffic areas where hinged rectangular grate is required. Hinged top permits easy access for fast and frequent removal of sediment bucket.



OUTLET VARIATIONS (Specify type of outlet and pipe size in inches.)

Outlet Type	Outlet Designation	Outlet Type/Pipe Size	ADD
Inside Caulk	C02, C03, C04, C06		N/C
Threaded	T02, T03, T04, T06		57.00
No-Hub	Y02, Y03, Y04, Y06		See Fig. 2646Y

OPTIONS:	ADD
-AB Aluminum Bucket	230.00
-FP Frost Proof Bucket	89.00
-G Galvanized CI	561.00
-M Ductile Iron Grate	373.00
-U Vandal Proof Screws	89.00

A OUTLET SIZE	TOP SIZE	FREE AREA SQ IN	†DUCO CI	DUCO CI PB TOP	DUCO CI NB TOP	APPROX. WEIGHT LBS
02, 03"	12 x 14"	47	1,050.00	1,728.00	1,864.00	69
04, 06"	12 x 14"	47	1,050.00	1,728.00	1,864.00	69

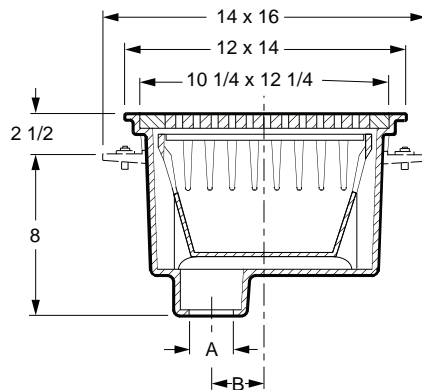
REGULARLY FURNISHED: Duco Cast Iron Body with Heavy Duty Hinged Grate and Cast Iron Sediment Bucket.

FLOOR DRAINS

FIG. 2473 HEAVY DUTY TRAFFIC FLOOR DRAIN WITH OFFSET OUTLET, HINGED GRATE AND FREE STANDING SEDIMENT BUCKET

FUNCTION: Used in moderate traffic areas where hinged rectangular grate is required. Hinged top permits easy access for fast and frequent removal of sediment bucket.

2473
Same as
2470 with
Flashing
Flange



OUTLET VARIATIONS (Specify type of outlet and pipe size in inches.)

Outlet Type	Outlet Designation	Outlet Type/Pipe Size	ADD
Inside Caulk	C02, C03, C04, C06		N/C
Threaded	T02, T03, T04, T06		57.00
No-Hub	Y02, Y03, Y04, Y06		See Fig. 2646Y

OPTIONS:	ADD
-AB Aluminum Bucket	230.00
-C Flashing Clamp	N/C
-FP Frost Proof Bucket	89.00
-G Galvanized CI	561.00
-M Ductile Iron Grate	373.00
-U Vandal Proof Screws	89.00

A OUTLET SIZE	TOP SIZE	FREE AREA SQ IN	B	†DUCO CI	DUCO CI PB TOP	DUCO CI NB TOP	APPROX. WEIGHT LBS
02"	12 x 14"	47	2 1/2"	1,283.00	1,961.00	2,097.00	69
03"	12 x 14"	47	2 1/2"	1,283.00	1,961.00	2,097.00	69
04"	12 x 14"	47	2"	1,283.00	1,961.00	2,097.00	69
06"	12 x 14"	47	1"	1,283.00	1,961.00	2,097.00	69

REGULARLY FURNISHED: Duco Cast Iron Body with Heavy Duty Hinged Grate and Cast Iron Sediment Bucket.

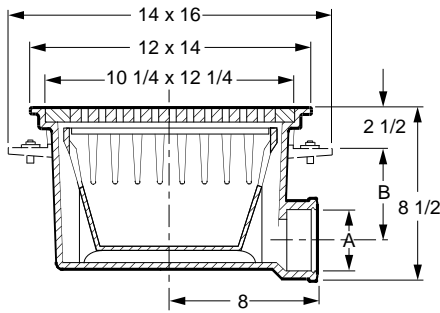


FLOOR DRAINS



FIG. 2475 HEAVY DUTY TRAFFIC FLOOR DRAIN W/SIDE OUTLET, HINGED GRATE AND FREE STANDING SEDIMENT BUCKET

FUNCTION: Used in moderate traffic areas where hinged rectangular grate is required. Hinged top permits easy access for fast and frequent removal of sediment bucket.



OUTLET VARIATIONS (Specify type of outlet and pipe size in inches.)

Outlet Type	Outlet Designation Outlet Type/Pipe Size	ADD
Inside Caulk	C02, C03, C04	N/C

OPTIONS:

Option	Description	ADD
-AB	Aluminum Bucket	230.00
-FP	Frost Proof Bucket	89.00
-G	Galvanized CI	561.00
-M	Ductile Iron Grate	373.00
-U	Vandal Proof Screws	89.00

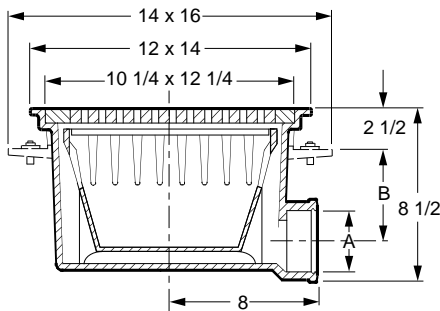
A OUTLET SIZE	TOP SIZE	FREE AREA SQ IN	B	†DUCO CI	DUCO CI PB TOP	DUCO CI NB TOP	APPROX. WEIGHT LBS
02"	12 x 14"	47	4"	1,353.00	2,031.00	2,167.00	69
03"	12 x 14"	47	3 1/2"	1,353.00	2,031.00	2,167.00	69
04"	12 x 14"	47	3"	1,353.00	2,031.00	2,167.00	69

REGULARLY FURNISHED: Duco Cast Iron Body with Heavy Duty Hinged Grate and Cast Iron Sediment Bucket.

FIG. 2478 HEAVY DUTY TRAFFIC FLOOR DRAIN W/SIDE OUTLET, HINGED GRATE AND FREE STANDING SEDIMENT BUCKET

FUNCTION: Used in moderate traffic areas where hinged rectangular grate is required. Hinged top permits easy access for fast and frequent removal of sediment bucket.

2478
Same as
2475 with
Flashing
Flange



OUTLET VARIATIONS (Specify type of outlet and pipe size in inches.)

Outlet Type	Outlet Designation Outlet Type/Pipe Size	ADD
Inside Caulk	C02, C03, C04	N/C

OPTIONS:

Option	Description	ADD
-AB	Aluminum Bucket	230.00
-C	Flashing Clamp	N/C
-FP	Frost Proof Bucket	89.00
-G	Galvanized CI	561.00
-M	Ductile Iron Grate	373.00
-U	Vandal Proof Screws	89.00

A OUTLET SIZE	TOP SIZE	FREE AREA SQ IN	B	†DUCO CI	DUCO CI PB TOP	DUCO CI NB TOP	APPROX. WEIGHT LBS
02"	12 x 14"	47	4"	1,587.00	2,265.00	2,401.00	95
03"	12 x 14"	47	3 1/2"	1,587.00	2,265.00	2,401.00	95
04"	12 x 14"	47	3"	1,587.00	2,265.00	2,401.00	95

REGULARLY FURNISHED: Duco Cast Iron Body with Heavy Duty Hinged Grate and Cast Iron Sediment Bucket.

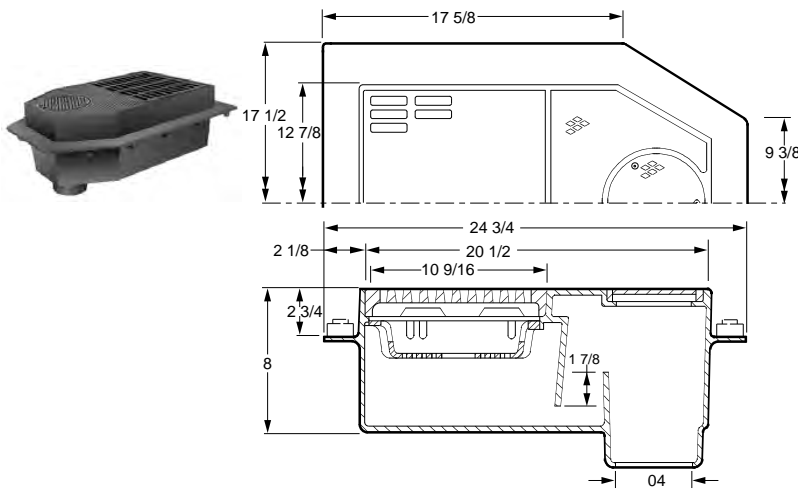


FLOOR DRAINS

FIG. 2484 WHITFORD STYLE HEAVY DUTY INDUSTRIAL DRAIN



FUNCTION: Used in packing houses and industrial plants where large quantities of water must be drained and heavy traffic is anticipated. Debris and solids are retained in a suspended bucket which is readily and easily emptied.



OUTLET VARIATIONS (Specify type of outlet and pipe size in inches.)

Outlet Type	Outlet Designation	ADD
Inside Caulk	C04	N/C

OPTIONS:

	ADD
-C Flashing Clamp	258.00
-CIB Cast Iron Bucket	N/C
-G Galvanized CI	1,050.00
-M Ductile Iron Grate	403.00
-U Vandal Proof Screws	96.00
-W With Seepage Holes	97.00

OUTLET SIZE	TOP SIZE	FREE AREA SQ IN	†DUCO CI	APPROX. WEIGHT LBS
04"	13 1/2 x 20 1/2"	38.5	2,331.00	110

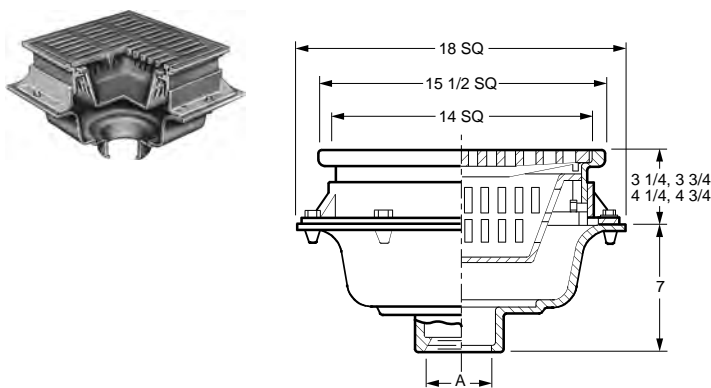
REGULARLY FURNISHED:

Fabricated Steel Body with Acid Resistant Coating Inside and Outside with Heavy Duty Cast Iron Tractor Grate, Aluminum Sediment Bucket, and Secured Heavy Duty Cleanout Cover.

FLOOR DRAINS

FIG. 2488 HEAVY DUTY TRAFFIC PACKING HOUSE FLOOR DRAIN

FUNCTION: Used in packing houses and industrial plants where large quantities of water must be drained and heavy traffic is anticipated. Adjustable top conveniently adapts to different floor thicknesses. Top has four step adjustments in 1/2" increments. Large suspended sediment bucket is essential in packing house applications where considerable debris is anticipated.



OUTLET VARIATIONS (Specify type of outlet and pipe size in inches.)

Outlet Type	Outlet Designation	ADD
Inside Caulk	C03, C04	N/C
Threaded	T03, T04	57.00
No-Hub	Y03, Y04, Y05, Y06	N/C

OPTIONS:

	ADD
-AB Aluminum Bucket	230.00
-ARI ARC Inside	389.00
-ARIO ARC In and Out	389.00
-E Adj Ext, 5 to 6 1/2"	877.00
-FBSCI Flat Bottom Strainer	71.00
-G Galvanized CI	309.00
-U Vandal Proof Screws	124.00

DEDUCT

-LB Less Bucket	80.00
-----------------	-------

A OUTLET SIZE	TOP SIZE	FREE AREA SQ IN	†DUCO CI	DUCO CI PB TOP	DUCO CI NB TOP	APPROX. WEIGHT LBS
03, 04"	15 1/2"	63	1,799.00	2,917.00	4,035.00	105
05, 06"	15 1/2"	63	1,799.00	2,917.00	4,035.00	109

REGULARLY FURNISHED: Duco Cast Iron Body, Flashing Collar and Adjustable Top with Ductile Iron Grate and Cast Iron Sediment Bucket.

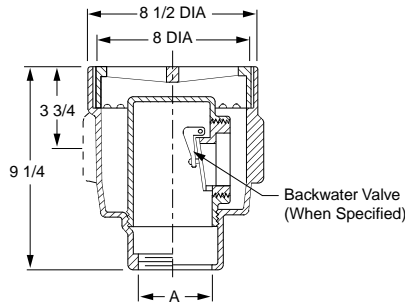


FLOOR DRAINS

FIG. 2490 HEAVY DUTY FLOOR DRAIN WITH 8 1/2" ROUND TOP AND TRACTOR GRATE



FUNCTION: Used in moderate traffic areas such as equipment and storage rooms. Deep drain body has provisions for side auxiliary inlet which can be used to receive the waste from other fixtures or drains.



A OUTLET SIZE	TOP SIZE	FREE AREA SQ IN	†DUCO CI	DUCO CI PB TOP	DUCO CI NB TOP	APPROX. WEIGHT LBS
02, 03, 04"	8 1/2"	13	700.00	945.00	999.00	32

REGULARLY FURNISHED: Duco Cast Iron Body and Tractor Grate.

OUTLET VARIATIONS (Specify type of outlet and pipe size in inches.)

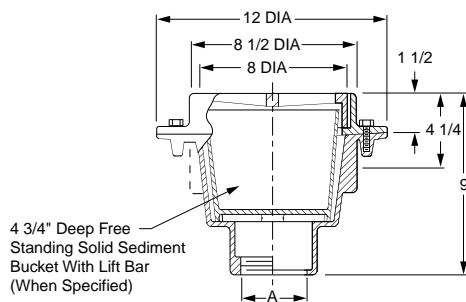
Outlet Type	Outlet Designation	Outlet Type/Pipe Size	ADD
Inside Caulk	C02, C03, C04		N/C
Threaded	T03, T04, T05, T06		57.00
No-Hub	Y03, Y04, Y05, Y06		See Fig. 2646Y

OPTIONS:

Options	ADD
-B Standing Slotted Bucket	151.00
-DBSCI Dome Bottom Str, CI	145.00
-E Extension, ea 2" or fract.	117.00
-FBSCI Flat Bottom Strainer, CI	69.00
-G Galvanized CI	224.00
-H Hinged Bar Grate	156.00
Hub Adaptor f/Aux Inlet	See Fig. 2645
-M Ductile Iron Grate	380.00
-N2 2" NPT Aux Inlet, ea	328.00
-N15 1 1/2" NPT Aux Inlet, ea	328.00
-S Square CI Top	196.00
-SB Standing Solid Bucket	117.00
-SC Solid Scoriated Cover	423.00
-SNB Square NB Top, add to CI	571.00
-SPB Square PB Top, add to CI	472.00
-TP "T" Handle Closure Plug	
02, 03"	238.00
04"	400.00
-U Vandal Proof Grate	124.00
-V Backwater Valve Assy	409.00

FIG. 2495 HEAVY DUTY FLOOR DRAIN WITH 8 1/2" ROUND TOP, FLASHING FLANGE AND TRACTOR GRATE

FUNCTION: Used in moderate traffic areas such as equipment and storage rooms. Deep drain body has provisions for side auxiliary inlet which can be used to receive the waste from other fixtures or drains.



A OUTLET SIZE	TOP SIZE	FREE AREA SQ IN	†DUCO CI	DUCO CI PB TOP	DUCO CI NB TOP	APPROX. WEIGHT LBS
02, 03, 04"	8 1/2"	13	513.00	679.00	707.00	40

REGULARLY FURNISHED: Duco Cast Iron Body with Flashing Flange and Tractor Grate.

OUTLET VARIATIONS (Specify type of outlet and pipe size in inches.)

Outlet Type	Outlet Designation	Outlet Type/Pipe Size	ADD
Inside Caulk	C02, C03, C04		N/C
Threaded	T02, T03, T04		N/C
No-Hub	Y02, Y03, Y04		See Fig. 2646Y

OPTIONS:

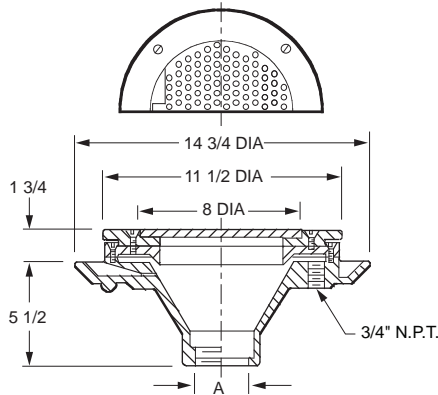
Options	ADD
-B Standing Slotted Bucket	151.00
-DBSCI Dome Bottom Str, CI	145.00
-E Extension, ea 2" or fract.	117.00
-FBSCI Flat Bottom Strainer	69.00
-G Galvanized CI	224.00
-H Hinged Bar Grate	156.00
Hub Adaptor f/Aux Inlet	See Fig. 2645
-M Ductile Iron Grate	380.00
-N2 2" NPT Aux Inlet, ea	305.00
-N15 1 1/2" NPT Aux Inlet, ea	305.00
-S Square CI Top	196.00
-SB Standing Solid Bucket	117.00
-SNB Square NB Top, add to CI	571.00
-SPB Square PB Top, add to CI	472.00
-TP "T" Handle Closure Plug	
02, 03"	238.00
04"	400.00
-U Vandal Proof Grate	124.00
-V Backwater Valve Assy	409.00

FLOOR DRAINS



FIG. 2500 FLUSHING TYPE LABORATORY AND INSTITUTIONAL DRAIN WITH 11 1/2" TOP AND HINGED PERFORATED GRATE

FUNCTION: Used in hospital operating rooms, cystoscopic and animal rooms where undesirable waste must be flushed to sewer. Particularly suitable for industrial and university laboratories. Used extensively in prisons, mental institutions and zoos as drain type water closets. Acid resistant coated interior and integral flushing rim maintain drain in sanitary condition.



A OUTLET SIZE	TOP SIZE	FREE AREA SQ IN	DUCO CI ARC IN PB TOP	DUCO CI ARC IN †NB TOP	APPROX. WEIGHT LBS
02, 03, 04"	11 1/2"	10	2,508.00	2,634.00	20

REGULARLY FURNISHED: Duco Cast Iron Body and Flange with Acid Resistant Coated Interior and Nickel Bronze Top with Vandal Proof Screws.

OUTLET VARIATIONS (Specify type of outlet and pipe size in inches.)

Outlet Type	Outlet Designation Outlet Type/Pipe Size	ADD
Inside Caulk	C02, C03, C04	N/C
Threaded	T02, T03, T04	68.00
No-Hub	Y02, Y03, Y04	See Fig. 2646Y

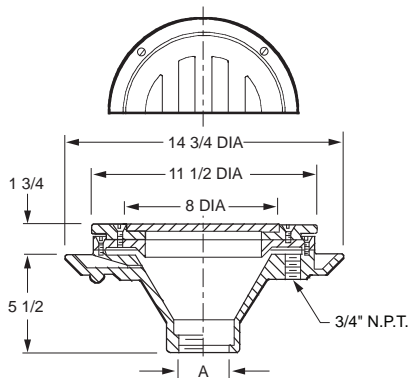
OPTIONS:		ADD
-C	Flashing Clamp	207.00
-SSB	Stainless Steel Bucket	156.00

FLOOR DRAINS

FIG. 2501 FLUSHING TYPE LABORATORY AND INSTITUTIONAL DRAIN WITH 11 1/2" TOP AND LOOSE SET WIDE BAR GRATE

FUNCTION: Used in hospital operating rooms, cystoscopic and animal rooms where undesirable waste must be flushed to sewer. Particularly suitable for industrial and university laboratories. Used extensively in prisons, mental institutions and zoos as drain type water closets. Acid resistant coated interior and integral flushing rim maintain drain in sanitary condition.

2501
Same as
2500
w/Loose Set
Wide Bar Grate



A OUTLET SIZE	TOP SIZE	FREE AREA SQ IN	DUCO CI ARC IN PB TOP	DUCO CI ARC IN †NB TOP	APPROX. WEIGHT LBS
02, 03, 04"	11 1/2"	18	2,710.00	2,836.00	20

REGULARLY FURNISHED: Duco Cast Iron Body and Flange with Acid Resistant Coated Interior and Nickel Bronze Top with Vandal Proof Screws.

OUTLET VARIATIONS (Specify type of outlet and pipe size in inches.)

Outlet Type	Outlet Designation Outlet Type/Pipe Size	ADD
Inside Caulk	C02, C03, C04	N/C
Threaded	T02, T03, T04	68.00
No-Hub	Y02, Y03, Y04	See Fig. 2646Y

OPTIONS:		ADD
-C	Flashing Clamp	207.00
-H	Hinged Wide Bar Grate	90.00
-SEC	Secured Grate	117.00
-SSB	Stainless Steel Bucket	156.00



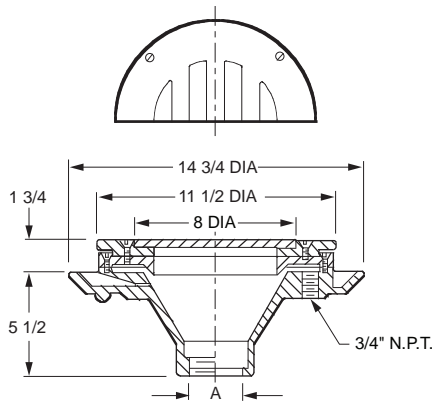
FLOOR DRAINS



FIG. 2502 FLUSHING TYPE LABORATORY AND INSTITUTIONAL DRAIN WITH 11 1/2" TOP AND INTEGRAL GRATE AND RIM

FUNCTION: Used in hospital operating rooms, cystoscopic and animal rooms where undesirable waste must be flushed to sewer. Particularly suitable for industrial and university laboratories. Used extensively in prisons, mental institutions and zoos as drain type water closets. Acid resistant coated interior and integral flushing rim maintain drain in sanitary condition.

2502
Same as
2500
with Integral
Grate and Rim



A OUTLET SIZE	TOP SIZE	FREE AREA SQ IN	DUCO CI ARC IN PB TOP	DUCO CI ARC IN †NB TOP	APPROX. WEIGHT LBS
02, 03, 04"	11 1/2"	17 1/2	2,724.00	2,850.00	20

REGULARLY FURNISHED: Duco Cast Iron Body and Flange with Acid Resistant Coated Interior and Nickel Bronze Top with Vandal Proof Screws.

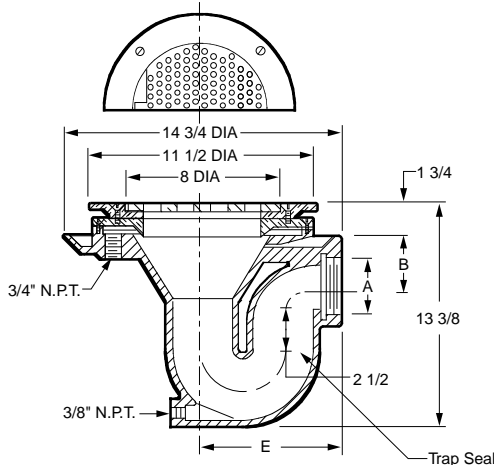
OUTLET VARIATIONS (Specify type of outlet and pipe size in inches.)

Outlet Type	Outlet Designation	Outlet Type/Pipe Size	ADD
Inside Caulk	C02, C03, C04		N/C
Threaded	T02, T03, T04		68.00
No-Hub	Y02, Y03, Y04		See Fig. 2646Y

OPTIONS:	ADD
-C Flashing Clamp	207.00
-SSB Stainless Steel Bucket	156.00

FIG. 2505 FLUSHING TYPE LABORATORY AND INSTITUTIONAL DRAIN WITH 11 1/2" TOP AND HINGED PERFORATED GRATE

FUNCTION: Used in hospital operating rooms, cystoscopic and animal rooms where undesirable waste must be flushed to sewer. Particularly suitable for industrial and university laboratories. Used extensively in prisons, mental institutions and zoos as drain type water closets. Acid resistant coated interior and integral flushing rim maintain drain in sanitary condition.



OUTLET VARIATIONS (Specify type of outlet and pipe size in inches.)

Outlet Type	Outlet Designation	Outlet Type/Pipe Size	ADD
Threaded	T02, T03, T04		N/C
No-Hub	Y02, Y03, Y04		See Fig. 2646Y

OPTIONS:	ADD
-C Flashing Clamp	207.00
-SSB Stainless Steel Bucket	156.00

A OUTLET SIZE	TOP SIZE	FREE AREA SQ IN	B	E	DUCO CI ARC IN PB TOP	DUCO CI ARC IN †NB TOP	APPROX. WEIGHT LBS
02"	11 1/2"	10	3 5/8"	10 1/2"	3,261.00	3,432.00	50
03"	11 1/2"	10	3 1/8"	10 1/2"	3,360.00	3,536.00	50
04"	11 1/2"	10	2 15/16"	9 1/2"	3,360.00	3,536.00	50

REGULARLY FURNISHED: Duco Cast Iron Body and Flange with Acid Resistant Coated Interior and Nickel Bronze Top with Vandal Proof Screws.



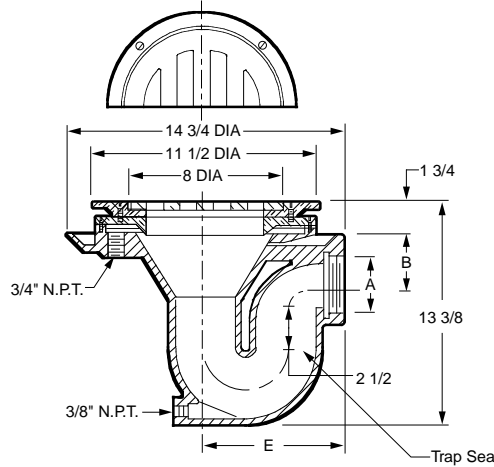
FLOOR DRAINS



FIG. 2506 FLUSHING TYPE LABORATORY AND INSTITUTIONAL DRAIN WITH 11 1/2" TOP AND LOOSE SET WIDE BAR GRATE

FUNCTION: Used in hospital operating rooms, cystoscopic and animal rooms where undesirable waste must be flushed to sewer. Particularly suitable for industrial and university laboratories. Used extensively in prisons, mental institutions and zoos as drain type water closets. Acid resistant coated interior and integral flushing rim maintain drain in sanitary condition.

2506
Same as
2501
w/Loose Set
Wide Bar Grate



OUTLET VARIATIONS (Specify type of outlet and pipe size in inches.)

Outlet Type	Outlet Designation	Outlet Type/Pipe Size	ADD
Threaded	T02, T03, T04		N/C
No-Hub	Y02, Y03, Y04		See Fig. 2646Y

OPTIONS:

Option	Description	ADD
-C	Flashing Clamp	207.00
-H	Hinged Wide Bar Grate	90.00
-SSB	Stainless Steel Bucket	156.00

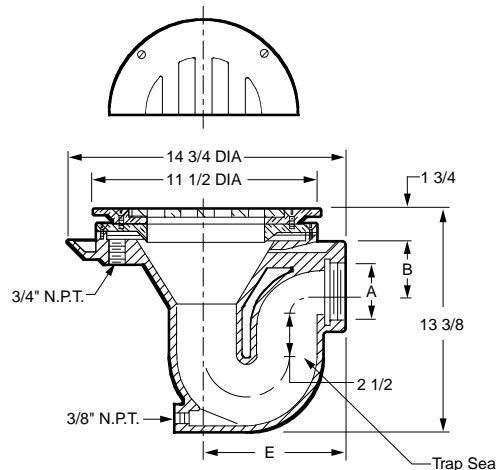
A OUTLET SIZE	TOP SIZE	FREE AREA SQ IN	B	E	DUCO CI ARC IN PB TOP	DUCO CI ARC IN †NB TOP	APPROX. WEIGHT LBS
02"	11 1/2"	18	3 5/8"	10 1/2"	3,463.00	3,634.00	50
03"	11 1/2"	18	3 1/8"	10 1/2"	3,562.00	3,738.00	50
04"	11 1/2"	18	2 15/16"	9 1/2"	3,562.00	3,738.00	50

REGULARLY FURNISHED: Duco Cast Iron Body and Flange with Acid Resistant Coated Interior and Nickel Bronze Top with Vandal Proof Screws.

FIG. 2507 FLUSHING TYPE LABORATORY AND INSTITUTIONAL DRAIN WITH 11 1/2" TOP AND INTEGRAL GRATE AND RIM

FUNCTION: Used in hospital operating rooms, cystoscopic and animal rooms where undesirable waste must be flushed to sewer. Particularly suitable for industrial and university laboratories. Used extensively in prisons, mental institutions and zoos as drain type water closets. Acid resistant coated interior and integral flushing rim maintain drain in sanitary condition.

2507
Same as
2505
with Integral
Grate and Rim



OUTLET VARIATIONS (Specify type of outlet and pipe size in inches.)

Outlet Type	Outlet Designation	Outlet Type/Pipe Size	ADD
Threaded	T02, T03, T04		N/C
No-Hub	Y02, Y03, Y04		See Fig. 2646Y

OPTIONS:

Option	Description	ADD
-C	Flashing Clamp	207.00
-SSB	Stainless Steel Bucket	156.00

A OUTLET SIZE	TOP SIZE	FREE AREA SQ IN	B	E	DUCO CI ARC IN PB TOP	DUCO CI ARC IN †NB TOP	APPROX. WEIGHT LBS
02"	11 1/2"	17.5	3 5/8"	10 1/2"	3,474.00	3,648.00	50
03"	11 1/2"	17.5	3 1/8"	10 1/2"	3,576.00	3,752.00	50
04"	11 1/2"	17.5	2 15/16"	9 1/2"	3,576.00	3,752.00	50

REGULARLY FURNISHED: Duco Cast Iron Body and Flange with Acid Resistant Coated Interior and Nickel Bronze Top with Vandal Proof Screws.

FLOOR DRAINS

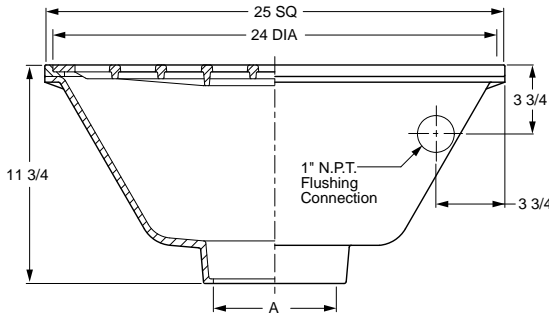


FLOOR DRAINS

FIG. 2508 LABORATORY AND ANIMAL DEN FLOOR DRAIN WITH SECURED GRATE



FUNCTION: Used in biology laboratories and animal dens. Large grate openings permit animal wastes and other solids to be washed into drain. The acid resistant coated interior and flushing feature serve to maintain a sanitary condition.



OUTLET VARIATIONS (Specify type of outlet and pipe size in inches.)

Outlet Type	Outlet Designation	Outlet Type/Pipe Size	ADD
Inside Caulk	C04, C06, C08		110.00
No-Hub	Y04, Y06, Y08		See Fig. 2646Y

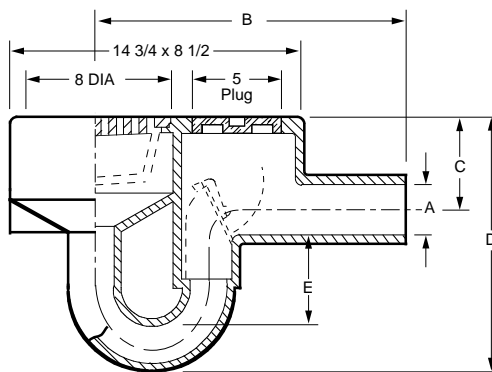
OPTIONS:	ADD
-B Sediment Bucket	73.00
-G Galvanized CI	762.00
-SC Solid Scoriated Cover	10,871.00
-U Vandal Proof Grate	81.00

A OUTLET SIZE	TOP SIZE	FREE AREA SQ IN	DUCO CI ARC IN PB TOP	DUCO CI ARC IN †NB TOP	APPROX. WEIGHT LBS
04, 06, 08"	25" SQ.	205	13,727.00	15,252.00	118

REGULARLY FURNISHED: Duco Cast Iron Body with Acid Resistant Coated Interior, Nickel Bronze Top with Secured Grate.

FIG. 2510 INTEGRAL TRAP AND FLOOR-LEVEL CLEANOUT DRAIN

FUNCTION: Used in moderate traffic areas where deep trap seal, floor level cleanout and shallow side outlet rough-in are required where limited space is available. Drain includes these features in one compact casting.



OUTLET VARIATIONS (Specify type of outlet and pipe size in inches.)

Outlet Type	Outlet Designation	Outlet Type/Pipe Size	ADD
Spigot	S02, S03, S04		N/C

OPTIONS:	ADD	
-B Safe Set Sediment Bucket, CI	75.00	
-D Dome Grate, CI	50.00	
-DNB Dome Grate, add to CI	689.00	
-DPB Dome Grate, add to CI	602.00	
-G Galvanized CI	339.00	
-H Hinged Grate	156.00	
	Hub Adaptor f/Aux Inlet	See Fig. 2645
-MBG Ductile Iron Bucket & Grate	304.00	
-N2 2" NPT Aux Inlet, ea	209.00	
	2" Hub or Spigot Inlet, ea	286.00
-N15 1 1/2" NPT Aux Inlet, ea	209.00	
-P Trap Primer Conn	99.00	
-U Vandal Proof Grate	94.00	
-V Backwater Valve, 02"	364.00	
	03"	402.00
	04"	438.00

A OUTLET SIZE	TOP SIZE	FREE AREA SQ IN	B	C	D	E SEAL	DUCO CI †DUCO CI	DUCO CI PB TOP	NB TOP	APPROX. WEIGHT LBS
02"	15 x 8"	14.24	16"	4 1/4"	11 3/4"	4"	594.00	950.00	978.00	40
03"	15 x 8"	14.24	15 3/4"	4"	13 1/2"	4 1/2"	824.00	1,192.00	1,228.00	52
04"	15 x 8"	14.24	16"	4 1/2"	15 3/4"	4 3/4"	1,157.00	1,967.00	2,028.00	72

REGULARLY FURNISHED: Duco Cast Iron Body and Grate with Bronze Cleanout Plug.

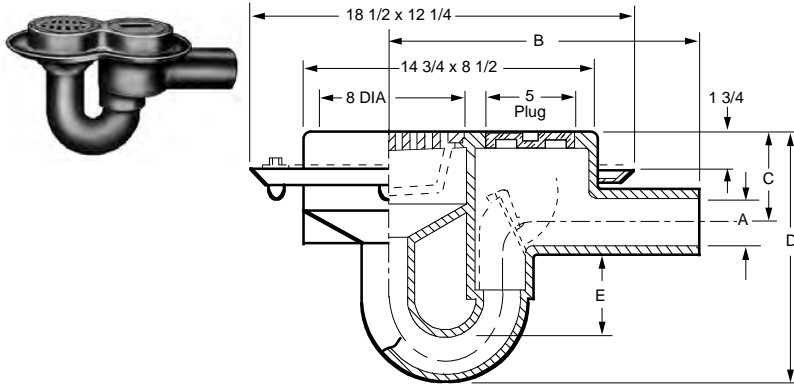


FLOOR DRAINS

FIG. 2515 INTEGRAL TRAP AND FLOOR-LEVEL CLEANOUT DRAIN



FUNCTION: Used in moderate traffic areas where deep trap seal, floor level cleanout and shallow side outlet rough-in are required where limited space is available. Drain includes these features in one compact casting.



OUTLET VARIATIONS (Specify type of outlet and pipe size in inches.)

Outlet Type	Outlet Designation Outlet Type/Pipe Size	ADD
Spigot.....	S02, S03, S04	N/C

OPTIONS:	ADD
-B Safe Set Sediment Bucket	75.00
-C Flashing Clamp	138.00
-D Dome Grate, CI	50.00
-DNB Dome Grate, add to CI	689.00
-DPB Dome Grate, add to CI	602.00
-H Hinged Grate	156.00
Hub Adaptor f/Aux Inlet	See 2645
-G Galvanized CI	339.00
-MBG Ductile Iron Bucket & Grate	304.00
-N2 2" NPT Aux Inlet, ea	209.00
2" Hub or Spigot Inlet, ea	286.00
-N15 1 1/2" NPT Aux Inlet, ea	209.00
-P Trap Primer Conn	99.00
-U Vandal Proof Grate	94.00
-V Backwater Valve, 02"	304.00
03"	402.00
04"	438.00

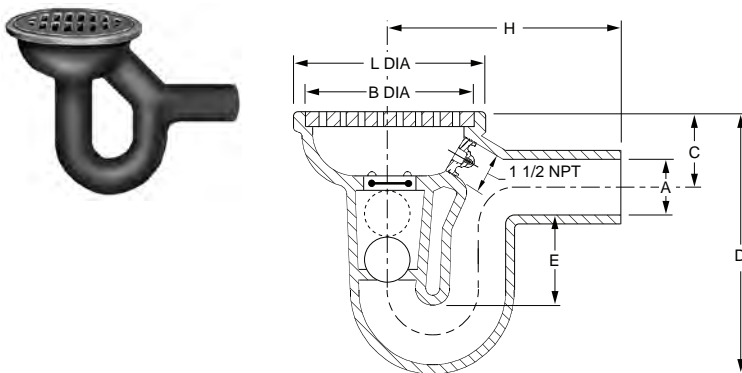
A OUTLET SIZE	TOP SIZE	FREE AREA SQ IN	B	C	D	E SEAL	†DUCO CI	DUCO CI PB TOP	DUCO CI NB TOP	APPROX. WEIGHT LBS
02"	15 x 8"	14.24	16"	4 1/4"	11 3/4"	4"	594.00	950.00	978.00	40
03"	15 x 8"	14.24	15 3/4"	4"	13 1/2"	4 1/2"	824.00	1,192.00	1,228.00	52
04"	15 x 8"	14.24	16"	4 1/2"	15 3/4"	4 3/4"	1,157.00	1,967.00	2,028.00	72

REGULARLY FURNISHED: Duco Cast Iron Body and Grate with Bronze Cleanout Plug.

FLOOR DRAINS

FIG. 2530 BALL FLOAT BACKWATER VALVE

FUNCTION: Light duty general purpose trap drain with backwater valve protection and integral cleanout. Drain has shallow roughing side spigot outlet for use in lower areas where rough-in height is limited.



OUTLET VARIATIONS (Specify type of outlet and pipe size in inches.)

Outlet Type	Outlet Designation Outlet Type/Pipe Size	ADD
Spigot.....	S02, S03, S04	N/C

OPTIONS:	ADD
-G Galvanized CI	338.00
-SEC Secured Grate	89.00
-U Vandal Proof Grate	94.00

-LBWV Less Backwater Valve	DEDUCT
02"	58.00
03, 04"	117.00

A OUTLET SIZE	TOP SIZE	FREE AREA SQ IN	B DIA	C	D	E SEAL	H	L DIA	†DUCO CI	DUCO CI PB TOP	DUCO CI NB TOP	APPROX. WEIGHT LBS
02"	8 1/4"	12	7 1/2"	3 1/4"	11"	4 1/2"	10 1/2"	8 1/4"	513.00	743.00	763.00	40
03"	10"	19.5	9 1/4"	4"	13 1/4"	4 1/2"	12"	10"	706.00	936.00	956.00	52
04"	12 1/2"	28.5	11 1/2"	4 1/2"	15"	4	15 1/4"	12 1/2"	991.00	1,525.00	1,582.00	72

REGULARLY FURNISHED: Duco Cast Iron Body and Bar Grate with Ball Float Backwater Valve and Bronze Cleanout Plug.

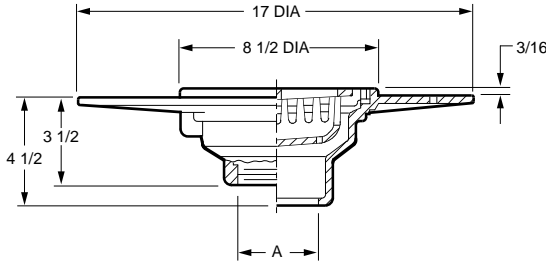


FLOOR DRAINS

FIG. DX2565 FLOOR DRAIN WITH WIDE FLANGE BODY AND "SAFE-SET" BUCKET



FUNCTION: Used in light duty areas where waste water contains solids or debris that must be prevented from entering drainage system. Wide flange allows adhesion of waterproof traffic deck covering, insuring watertight integrity. "Safe-Set" design insures bucket replacement after cleaning.



OUTLET VARIATIONS (Specify type of outlet and pipe size in inches.)

Outlet Type	Outlet Designation	Outlet Type/Pipe Size	ADD
Inside Caulk	C02, C03, C04		N/C
Speedi-Seal Gasket*	02, 03, 04		N/C
Threaded	T02, T03, T04		57.00
No-Hub	Y02, Y03, Y04		See Fig. 2646Y

OPTIONS:	ADD
-C Underdeck Clamp	167.00
-G Galvanized CI	224.00
-R Membrane Clamp	N/C
-SH Securing Holes	74.00
-U Vandal Proof Screws	124.00

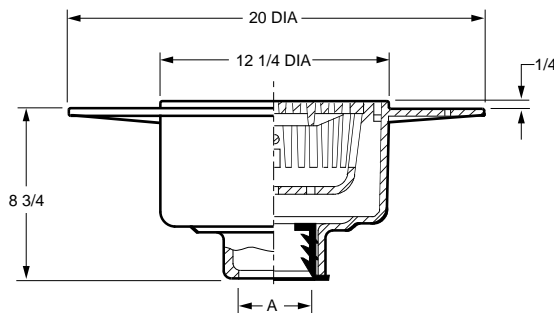
A OUTLET SIZE	TOP SIZE	FREE AREA SQ IN	†DUCO CI	DUCO CI PB TOP	DUCO CI NB TOP	APPROX. WEIGHT LBS
02, 03, 04"	8 1/2"	9.25	635.00	747.00	877.00	30

REGULARLY FURNISHED: Duco Cast Iron 4" Wide Flange Body with Bucket and Grate.

*Speedi-Seal Gasket Available for use with 2, 3, or 4" Caulk Outlet Bodies as Indicated. Specify Service Weight (SW) or Extra Heavy (XH).

FIG. DX2566 FLOOR DRAIN WITH WIDE FLANGE BODY AND "SAFE-SET" BUCKET

FUNCTION: Used in high flow areas where waste water contains solids or debris that must be prevented from entering drainage system. Wide flange allows adhesion of waterproof traffic deck covering, insuring watertight integrity. "Safe-Set" design insures bucket replacement after cleaning.



OUTLET VARIATIONS (Specify type of outlet and pipe size in inches.)

Outlet Type	Outlet Designation	Outlet Type/Pipe Size	ADD
Inside Caulk	C02, C03, C04, C05, C06		N/C
Threaded	T02, T03, T04		57.00
Speedi-Seal Gasket*	02, 03, 04		N/C
No-Hub	Y02, Y03, Y04, Y05, Y06		See Fig. 2646Y

OPTIONS:	ADD
-C Underdeck Clamp	167.00
-G Galvanized CI	582.00
-M Ductile Iron Grate	157.00
-R Membrane Clamp	N/C
-SH Securing Holes	74.00
-U Vandal Proof Screws	124.00

A OUTLET SIZE	TOP SIZE	FREE AREA SQ IN	†DUCO CI	DUCO CI PB TOP	DUCO CI NB TOP	APPROX. WEIGHT LBS
02, 03, 04"	12 1/4"	25.25	1,227.00	1,622.00	1,684.00	68
05, 06"	12 1/4"	25.25	1,227.00	1,622.00	1,684.00	68

REGULARLY FURNISHED: Duco Cast Iron 4" Wide Flange Body with Bucket and Grate.

*Speedi-Seal Gasket Available for use with 2, 3, or 4" Caulk Outlet Bodies as Indicated. Specify Service Weight (SW) or Extra Heavy (XH).

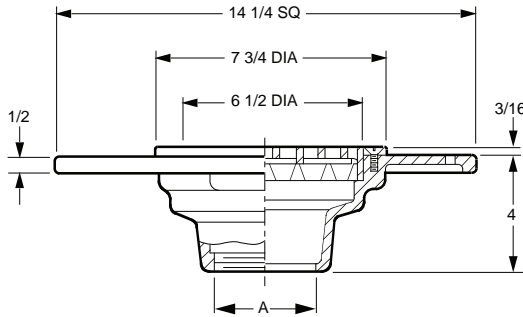


FLOOR DRAINS

FIG. DX2568 SQUARE FLANGE FLOOR DRAIN WITH TRACTOR GRATE FOR WOOD DECK OR CONCRETE CONSTRUCTION



FUNCTION: Used on promenade roof decks and roof recreational areas where waterproof traffic deck covering is to be installed. Wide flange allows adhesion of waterproof traffic deck covering, insuring watertight integrity, for particular use with wood deck construction.



OUTLET VARIATIONS (Specify type of outlet and pipe size in inches.)

Outlet Type	Outlet Designation Outlet Type/Pipe Size	ADD
Inside Caulk	C02, C03, C04	N/C
Threaded	T02, T03, T04	57.00
No-Hub	Y02, Y03, Y04	See Fig. 2646Y

OPTIONS:	ADD
-B Sediment Bucket	75.00
-C Underdeck Clamp	138.00
-G Galvanized CI	414.00
-U Vandal Proof Screws	89.00

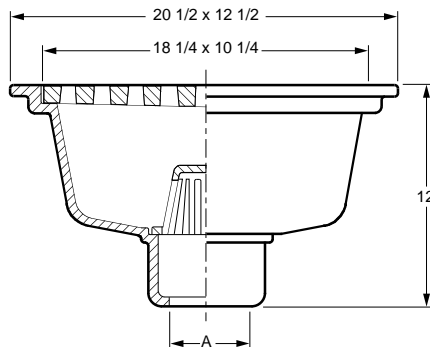
A OUTLET SIZE	TOP SIZE	FREE AREA SQ IN	DUCO CI PB TOP	DUCO CI †NB TOP	APPROX. WEIGHT LBS
02, 03, 04"	7 3/4"	12.5	709.00	847.00	31

REGULARLY FURNISHED: Duco Cast Iron Body with Nickel Bronze Tractor Grate and Rim.

FLOOR DRAINS

FIG. 2570 HEAVY DUTY ROADWAY DRAIN

FUNCTION: Used in roadways, parking and trucking areas to handle both heavy traffic loads and a large volume of surface water. Internal dome strainer protects the waste system from entrance of debris.



OUTLET VARIATIONS (Specify type of outlet and pipe size in inches.)

Outlet Type	Outlet Designation Outlet Type/Pipe Size	ADD
Inside Caulk	C03, C04, C05, C06	N/C

OPTIONS:	ADD
-B Sediment Bucket	264.00
-G Galvanized CI	2,006.00
-M Ductile Iron Grate	1,202.00
-U Vandal Proof Screws	145.00

A OUTLET SIZE	TOP SIZE	FREE AREA SQ IN	DUCO CI †	APPROX. WEIGHT LBS
03, 04"	20 1/2 x 12 1/2"	47	3,733.00	162
05, 06"	20 1/2 x 12 1/2"	47	3,733.00	162

REGULARLY FURNISHED: Duco Cast Iron Body with Loose Set Grate and Dome Bottom Strainer.

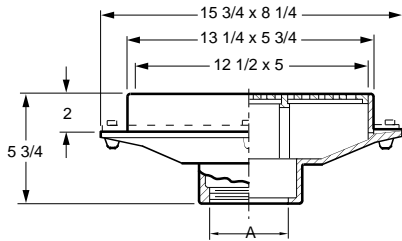


FLOOR DRAINS

FIG. 2585 GUTTER DRAIN WITH SECURED GRATE



FUNCTION: Used in gutters and trenches where only a limited width is available for drainage. Long rectangular grate with large free area is capable of handling large amounts of water.



OUTLET VARIATIONS (Specify type of outlet and pipe size in inches.)

Outlet Type	Outlet Designation	Outlet Type/Pipe Size	ADD
Inside Caulk	C02, C03, C04		N/C
Threaded	T02, T03, T04		47.00
No-Hub	Y02, Y03, Y04		N/C

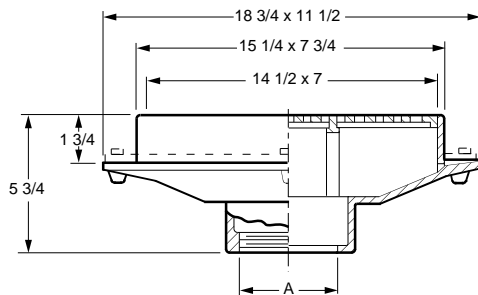
OPTIONS:		ADD
-C	Flashing Clamp	102.00
-DBS	Alum Dome Bottom Str	71.00
-G	Galvanized CI	300.00
-M	Ductile Iron Grate	207.00
-U	Vandal Proof Screws	89.00

A OUTLET SIZE	TOP SIZE	FREE AREA SQ IN	†DUCO CI	DUCO CI PB TOP	DUCO CI NB TOP	APPROX. WEIGHT LBS
02, 03, 04"	13 x 6"	21.5	421.00	748.00	788.00	24

REGULARLY FURNISHED: Duco Cast Iron Body with Secured Grate.

FIG. 2586 GUTTER DRAIN WITH SECURED GRATE

FUNCTION: Used in gutters and trenches where only a limited width is available for drainage. Long rectangular grate with large free area is capable of handling large amounts of water.



OUTLET VARIATIONS (Specify type of outlet and pipe size in inches.)

Outlet Type	Outlet Designation	Outlet Type/Pipe Size	ADD
Inside Caulk	C03, C04, C05, C06		N/C
Threaded	T03, T04, T05, T06		68.00
No-Hub	Y03, Y04, Y05, Y06		See Fig 2646Y

OPTIONS:		ADD
-C	Flashing Clamp	145.00
-G	Galvanized CI	388.00
-M	Ductile Iron Grate	254.00
-U	Vandal Proof Screws	96.00

A OUTLET SIZE	TOP SIZE	FREE AREA SQ IN	†DUCO CI	DUCO CI PB TOP	DUCO CI NB TOP	APPROX. WEIGHT LBS
03, 04"	15 x 8"	31	823.00	1,400.00	1,466.00	43
05, 06"	15 x 8"	31	823.00	1,400.00	1,466.00	43

REGULARLY FURNISHED: Duco Cast Iron Body with Secured Grate.

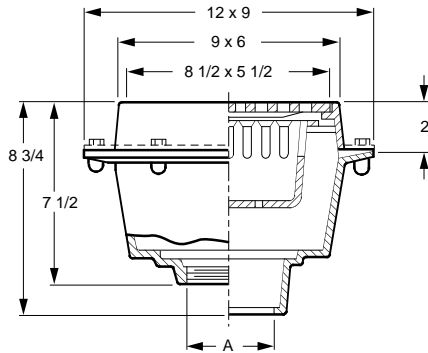


FLOOR DRAINS

FIG. 2589 FLOOR DRAIN WITH HINGED GRATE AND SEDIMENT BUCKET



FUNCTION: Used in gutters and trenches where a sediment bucket is required. Hinged medium duty grate permits easy access to bucket for removal and cleaning.



A OUTLET SIZE	TOP SIZE	FREE AREA SQ IN	†DUCO CI	DUCO CI PB TOP	DUCO CI NB TOP	APPROX. WEIGHT LBS
02, 03, 04"	9 x 6"	23	643.00	1,140.00	1,211.00	30

REGULARLY FURNISHED: Duco Cast Iron Body with Hinged Grate and Sediment Bucket.

OUTLET VARIATIONS (Specify type of outlet and pipe size in inches.)

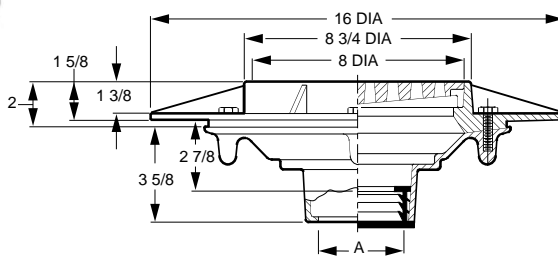
Outlet Type	Outlet Designation Type/Pipe Size	ADD
Inside Caulk	C02, C03, C04	N/C
Threaded	T02, T03, T04	57.00
No-Hub	Y02, Y03, Y04	See Fig. 2646Y

OPTIONS:		ADD
-C	Flashing Clamp	N/C
-G	Galvanized CI	224.00
-M	Ductile Iron Grate	224.00
-U	Vandal Proof Screws	124.00

FLOOR DRAINS

FIG. 2614 FLOOR DRAIN WITH HEAVY DUTY WIDE FLANGE FLASHING COLLAR

FUNCTION: Used in parking decks with precast construction where core drilling or boxing out for drain is desired for cost effective installation. The wide reinforced flange provides maximum support of drain.



A OUTLET SIZE	TOP SIZE	FREE AREA SQ IN	†DUCO CI	DUCO CI PB TOP	DUCO CI NB TOP	APPROX. WEIGHT LBS
02, 03, 04"	8 3/4"	14.25	904.00	1,222.00	1,288.00	34

REGULARLY FURNISHED: Duco Cast Iron Body, Heavy Duty Wide Flange Flashing Collar with Heavy Duty Tractor Grate.

OUTLET VARIATIONS (Specify type of outlet and pipe size in inches.)

Outlet Type	Outlet Designation Type/Pipe Size	ADD
Inside Caulk	C02, C03, C04	N/C
Speedi-Set SW	L02, L03, L04	N/C
Speedi-Set XH	LXH02, LXH03, LXH04	N/C
Threaded	T02, T03, T04	57.00
No-Hub	Y02, Y03, Y04	N/C
Side Outlet		See Fig. 2648S

OPTIONS:		ADD
-DBS	Dome Bottom Str Alum	71.00
-FBSCI	Flat Bottom Strainer, CI	36.00
-G	Galvanized CI	224.00
-M	Ductile Iron Grate	131.00
-S	Square Top, CI	196.00
-SNB	Square Top, add to CI	571.00
-SPB	Square Top, add to CI	472.00
-U	Vandal Proof Screws	124.00

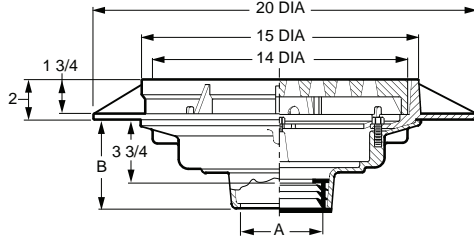


FLOOR DRAINS

FIG. 2624 FLOOR DRAIN WITH HEAVY DUTY WIDE FLANGE FLASHING COLLAR



FUNCTION: Used in parking decks with precast construction where core drilling or boxing out for drain is desired for cost effective installation. The wide reinforced flange provides maximum support of drain.



A OUTLET SIZE	TOP SIZE	FREE AREA SQ IN	†DUCO CI	DUCO CI PB TOP	DUCO CI NB TOP	APPROX. WEIGHT LBS
02, 03, 04"	15"	45	768.00	1,098.00	1,285.00	44
05, 06"	15"	45	768.00	1,098.00	1,285.00	44
08, 10"	16"	45	1,044.00	1,492.00	1,571.00	48

REGULARLY FURNISHED: Duco Cast Iron Body, Heavy Duty Wide Flange Flashing Collar with Heavy Duty Tractor Grade.

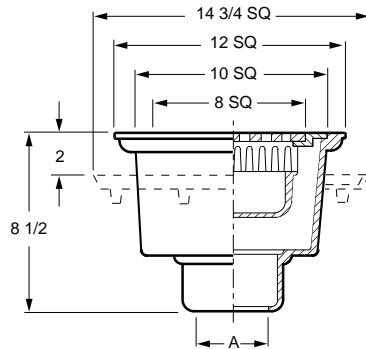
OUTLET VARIATIONS (Specify type of outlet and pipe size in inches.)

Outlet Type	Outlet Designation Outlet Type/Pipe Size	"B" Body HT. DIM.	ADD
Inside Caulk	C02, C03, C04, C05, C06	5"	N/C
	C08, C10	6"	N/C
Speedi-Set SW	L02, L03, L04	5"	N/C
Speedi-Set XH	LXH02, LXH03, LXH04	5"	N/C
Threaded	T02, T03, T04, T05, T06	3 3/4"	28.00
	T08, T10	5"	28.00
No-Hub	Y02, Y03, Y04, Y05, Y06	5"	N/C
	Y08, Y10	6"	N/C
Side Outlet			See Fig. 2648S

OPTIONS:	ADD
-C Underdeck Clamp	81.00
-DBSCI Dome Bottom Strainer, CI	58.00
-FBSCI Flat Bottom Strainer, CI	36.00
-G Galvanized CI	234.00
-M Ductile Iron Grate	400.00
-R Sump Receiver	164.00
-S Square Top, CI	286.00
-SNB Square Top, add to CI	1,198.00
-SPB Square Top, add to CI	1,036.00
-U Vandal Proof Screws	123.00

FIG. 2630 LIGHT DUTY HOPPER DRAIN WITH SEDIMENT BUCKET AND GRATE

FUNCTION: Hopper type drain for use in areas not subject to traffic.



A OUTLET SIZE	TOP SIZE	FREE AREA SQ IN	†DUCO CI	DUCO CI PB TOP	DUCO CI NB TOP	APPROX. WEIGHT LBS
02, 03, 04"	12" SQ	23	640.00	1,118.00	1,169.00	30

REGULARLY FURNISHED: Duco Cast Iron Body with Sediment Bucket and Grate.

OUTLET VARIATIONS (Specify type of outlet and pipe size in inches.)

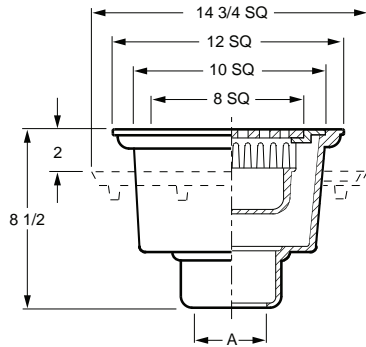
Outlet Type	Outlet Designation Outlet Type/Pipe Size	ADD
Inside Caulk	C02, C03, C04	N/C
	No-Hub	See Fig. 2646Y
Threaded	T02, T03, T04	57.00

OPTIONS:	ADD
-BT Bell Trap Assembly	130.00
-F Flange, Cast Iron	223.00
-FC Flange w/Flashing Clamp	353.00
-G Galvanized CI	418.00
-M Ductile Iron Grate	207.00
-MBG Ductile Iron Bucket & Grate	322.00
-P Trap Primer Connection	117.00
-U Vandal Proof Screws	89.00
-12 Half Grate	74.00
-13 Three Quarter Grate	74.00

FLOOR DRAINS

FIG. 2631 LIGHT DUTY HOPPER DRAIN WITH SEDIMENT BUCKET

FUNCTION: Hopper type drain for use in areas not subject to traffic.



A OUTLET SIZE	TOP SIZE	FREE AREA SQ IN	†DUCO CI	DUCO CI PB TOP	DUCO CI NB TOP	APPROX. WEIGHT LBS
02, 03, 04"	12" SQ	23	816.00	1,294.00	1,345.00	30

REGULARLY FURNISHED: Duco Cast Iron Body with Sediment Bucket.

OUTLET VARIATIONS (Specify type of outlet and pipe size in inches.)

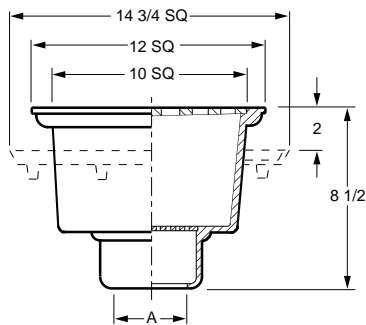
Outlet Type	Outlet Designation Outlet Type/Pipe Size	ADD
Inside Caulk	C02, C03, C04	N/C
No-Hub	Y02, Y03, Y04	See Fig. 2646Y
Threaded	T02, T03, T04	57.00

OPTIONS:	ADD
-BM Ductile Iron Bucket	114.00
-F Flange, Cast Iron	223.00
-FC Flange w/Flashing Clamp	353.00
-G Galvanized CI	418.00
-P Trap Primer Connection	117.00

FLOOR DRAINS

FIG. 2632 LIGHT DUTY HOPPER DRAIN WITH FLAT BOTTOM STRAINER AND GRATE

FUNCTION: Hopper type drain for use in areas not subject to traffic.



A OUTLET SIZE	TOP SIZE	FREE AREA SQ IN	†DUCO CI	DUCO CI PB TOP	DUCO CI NB TOP	APPROX. WEIGHT LBS
02, 03, 04"	12" SQ	28	780.00	1,464.00	1,598.00	30

REGULARLY FURNISHED: Duco Cast Iron Body with Flat Bottom Strainer and Grate.

OUTLET VARIATIONS (Specify type of outlet and pipe size in inches.)

Outlet Type	Outlet Designation Outlet Type/Pipe Size	ADD
Inside Caulk	C02, C03, C04	N/C
No-Hub	Y02, Y03, Y04	See Fig. 2646Y
Threaded	T02, T03, T04	57.00

OPTIONS:	ADD
-BT Bell Trap Assembly	130.00
-DBS Alum Dome Bottom Str	71.00
-F Flange, Cast Iron	223.00
-FC Flange w/Flashing Clamp	353.00
-G Galvanized CI	457.00
-M Ductile Iron Grate	207.00
-P Trap Primer Connection	117.00
-U Vandal Proof Screws	89.00
-12 Half Grate	74.00
-13 Three Quarter Grate	74.00

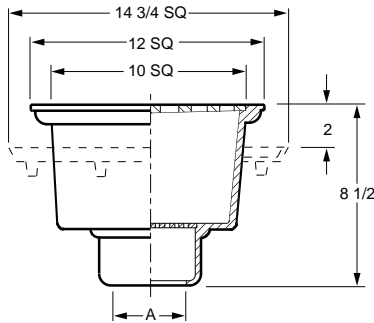


FLOOR DRAINS

FIG. 2633 LIGHT DUTY HOPPER DRAIN WITH FLAT BOTTOM STRAINER



FUNCTION: Hopper type drain for use in areas not subject to traffic.



OUTLET VARIATIONS (Specify type of outlet and pipe size in inches.)

Outlet Type	Outlet Designation	Outlet Type/Pipe Size	ADD
Inside Caulk	C02, C03, C04		N/C
No-Hub	Y02, Y03, Y04		See Fig. 2646Y
Threaded	T02, T03, T04		57.00

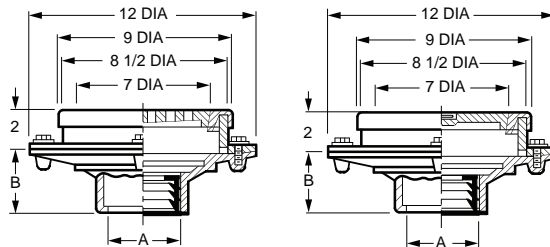
OPTIONS:	ADD
-DBS Alum Dome Bottom Strainer	71.00
-F Flange, Cast Iron	223.00
-FC Flange w/Flashing Clamp	353.00
-G Galvanized CI	418.00
-P Trap Primer Connection	117.00

A OUTLET SIZE	TOP SIZE	FREE AREA SQ IN	†DUCO CI	DUCO CI PB TOP	DUCO CI NB TOP	APPROX. WEIGHT LBS
02, 03, 04"	12" SQ	28	640.00	1,118.00	1,169.00	30

REGULARLY FURNISHED: Duco Cast Iron Body with Flat Bottom Strainer.

FIG. 2640 BLOOD AND WATER DRAINS

FUNCTION: Used in packing house slaughtering areas. Consists of two individual drains. Slotted grate drain permits drainage of animal blood to separate storage tank while adjacent drain connected to sewer is covered by solid ground joint plug. When area is to be washed down, the solid plug is put on the blood drain and the slotted grate on the sewer water drain, thus water used in the cleaning operation will be directed to sewer and will not enter the blood storage tank.



OUTLET VARIATIONS (Specify type of outlet and pipe size in inches.)

Outlet Type	Outlet Designation	Outlet Type/Pipe Size	"B" Body HT. DIM.	ADD
Inside Caulk	C02, C03, C04		3 3/4"	N/C
Speedi-Set SW	L02, L03, L04		3 3/4"	N/C
Speedi-Set XH	LXH02, LXH03, LXH04		3 3/4"	N/C
Threaded	T02, T03, T04		2"	57.00
No-Hub	Y02, Y03, Y04		3 3/4"	N/C

OPTIONS:	ADD
-FBSCI Flat Bottom Strainer, CI, ea	36.00
-G Galvanized CI	293.00
-M Ductile Iron Tops	841.00
-RB RB Grate & Plug	1,360.00

A OUTLET SIZE	TOP SIZE	FREE AREA SQ IN	†DUCO CI GRATE & PLUG	DUCO CI w/BRZ GRATE & PLUG (RB)	DUCO CI w/NB GRATE & PLUG (RNB)	APPROX. WEIGHT LBS
02, 03, 04"	9"	10.3	918.00	2,275.00	2,598.00	50

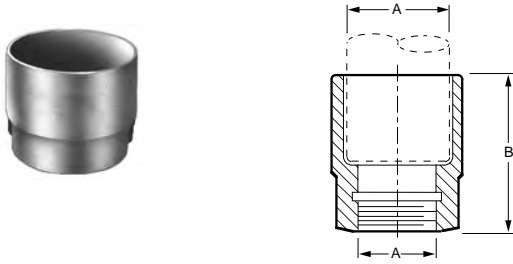
REGULARLY FURNISHED: Two (2) Duco Cast Iron Bodies with Flashing Collar and Bronze Rim, Cast Iron Grate and Ground Joint Plug.



FLOOR DRAINS

FIG. 2641T HUB ADAPTOR-FEMALE THREAD

FUNCTION: Allows a threaded connection to be adapted to a hub connection.



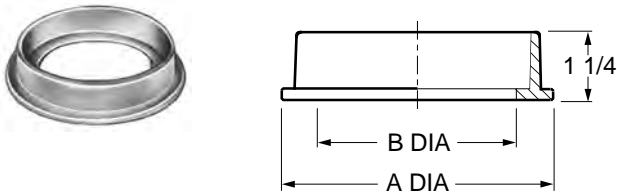
A OUTLET SIZE	B	†DUCO CI	ADD FOR: GALV CI (-G)	APPROX. WEIGHT LBS
0125"	5"	90.00	62.00	5
0150, 02"	4"	90.00	62.00	5
0250"	4 3/4"	90.00	62.00	5
03"	4 1/2"	90.00	62.00	5
04"	4 3/4"	117.00	65.00	6
05"	5 1/2"	239.00	98.00	11
06"	5 1/2"	286.00	112.00	11

REGULARLY FURNISHED: Duco Cast Iron.

FIG. 2643 CAULK REDUCER

FUNCTION: Used with inside caulk bottom outlet drains to reduce the size of the connection.

FLOOR DRAINS

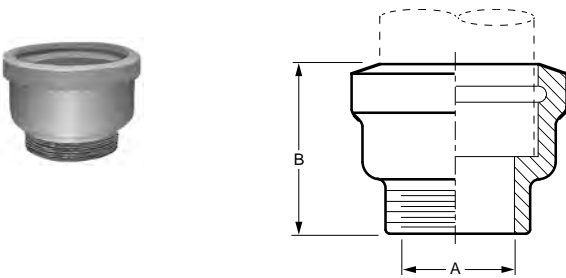


A DIA. x B DIA. OUTLET SIZE	†DUCO CI	GALV CI (-G)	APPROX. WEIGHT LBS
03 X 02"	28.00	43.00	1
04 X 02"	33.00	48.00	2
04 X 03"	46.00	61.00	2
05 X 04"	58.00	73.00	3
06 X 04"	71.00	86.00	3
06 X 05"	84.00	99.00	6
08 X 06"	99.00	114.00	9

REGULARLY FURNISHED: Duco Cast Iron.

FIG. 2645T HUB ADAPTOR-MALE THREAD

FUNCTION: Converts threaded connection to hub for caulking.



A OUTLET SIZE	B	†DUCO CI	GALV CI (-G)	APPROX. WEIGHT LBS
02"	4 1/2"	58.00	106.00	3
03"	4 1/2"	107.00	155.00	5
04"	4 1/2"	145.00	220.00	6
05"	4 1/2"	239.00	314.00	8
06"	4 1/2"	276.00	351.00	9
08"	4 1/2"	505.00	580.00	11

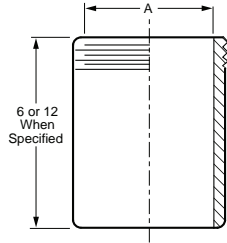
REGULARLY FURNISHED: Duco Cast Iron.



FLOOR DRAINS

FIG. 2646S STRAIGHT SPIGOT ADAPTOR

FUNCTION: Convert threaded connections to spigot for caulking.

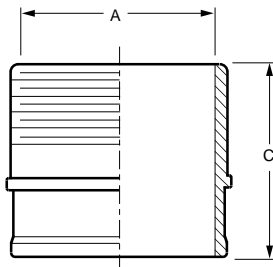


A OUTLET SIZE	†DUCO CI 6" Lengths	GALV CI (-G) 6" Lengths	APPROX. WEIGHT LBS	A OUTLET SIZE	†DUCO CI 12" Lengths (-2)	GALV CI 12" Lengths (-2-G)	APPROX. WEIGHT LBS
02"	58.00	104.00	2	02"	119.00	165.00	3
03"	84.00	130.00	4	03"	244.00	290.00	4
04"	133.00	179.00	5	04"	277.00	323.00	5
05"	325.00	371.00	7	05"	363.00	409.00	14
06"	405.00	451.00	8	06"	431.00	427.00	17
08"	452.00	498.00	10	08"	497.00	543.00	
10"	540.00	586.00	12				
12"	675.00	721.00	15				

REGULARLY FURNISHED: Duco Cast Iron.

FIG. 2646Y NO-HUB ADAPTOR

FUNCTION: Converts threaded connection to no-hub connections.

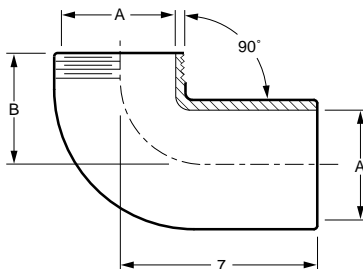
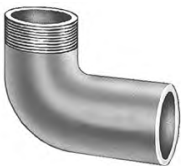


A OUTLET SIZE	C	†DUCO CI	GALV CI (-G)	APPROX. WEIGHT LBS
02"	2 3/4"	58.00	104.00	2
03"	3"	84.00	130.00	4
04"	3"	133.00	179.00	5
05"	4"	325.00	371.00	7
06"	4"	405.00	451.00	8
08"	4 1/2"	452.00	498.00	10
10"	4 1/2"	540.00	586.00	12
12"	5 1/2"	675.00	721.00	15

REGULARLY FURNISHED: Duco Cast Iron.

FIG. 2648S 90° SPIGOT ADAPTOR

FUNCTION: Converts threaded connection to 90° spigot for caulking.



A OUTLET SIZE	B	†DUCO CI	GALV CI (-G)	APPROX. WEIGHT LBS
02"	3"	206.00	270.00	5
03"	3 1/2"	325.00	389.00	8
04"	4"	367.00	500.00	13
05"	4 1/2"	421.00	554.00	15
06"	5"	436.00	643.00	16

REGULARLY FURNISHED: Duco Cast Iron.

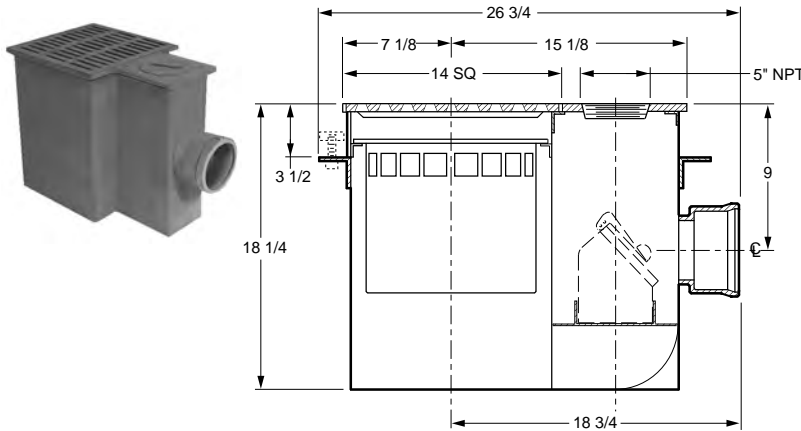
NOTE: When ordering with a bottom outlet drain to provide a side outlet spigot connection, the drain must be specified with a threaded outlet.

FLOOR DRAINS

FIG. 2650 GARAGE AND PLANTING AREA DRAIN WITH EXTRA LARGE BUCKET



FUNCTION: Heavy duty floor drain with an integral trap incorporates a large sediment bucket to intercept chips and debris. Floor level cleanout provides access to sewer line and backwater valve. Used in garages and industrial areas where compact trap drain provides roughing advantages.



OUTLET VARIATIONS (Specify type of outlet and pipe size in inches.)

Outlet Type	Outlet Designation	ADD
Inside Caulk	C03, C04	N/C
No-Hub	Y03, Y04	See Fig. 2646Y

OPTIONS:	ADD
-F Flashing Flange	N/C
-FC Flange and Flashing Clamp	325.00
-U Vandal Proof Screws	144.00
-V Backwater Valve	568.00

A OUTLET SIZE	TOP SIZE	FREE AREA SQ IN	†GALV STL DI TOP	GALV STL PB TOP	GALV STL NB TOP	APPROX. WEIGHT LBS
03, 04"	22 x 14"	63	9,587.00	11,888.00	13,281.00	30

REGULARLY FURNISHED: Galvanized Coated
Fabricated Steel Body with Heavy Duty Ductile Iron Grate,
Suspended Bucket and Bronze Cleanout Plug.

FLOOR DRAINS

FIG. 2651 ECCENTRIC REDUCER, FIG. 2652 FACE REDUCER BUSHING

FUNCTION: Fig. 2651 is used with side outlet drains to reduce outlet one pipe size. Fig. 2652 is used to reduce threaded connection.

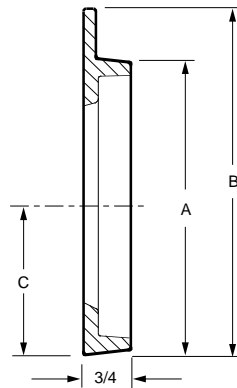


Fig. 2651

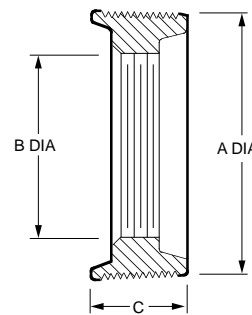


Fig. 2652

FIG. 2651 SIZE	A DIA	B DIA	C	†DUCO CI	GALV CI (-G)	APPROX. WEIGHT LBS
03 x 02"	3"	4"	1 1/2"	28.00	43.00	1
04 x 03"	4 1/4"	5"	2"	53.00	68.00	2
05 x 04"	5 1/4"	6"	2 3/4"	61.00	76.00	3
06 x 05"	6 1/4"	7"	3"	87.00	102.00	6

REGULARLY FURNISHED: Duco Cast Iron.

FIG. 2652 SIZE	A DIA	B DIA	C	†DUCO CI	GALV CI (-G)	APPROX. WEIGHT LBS
02 x 0150"	2"	1 1/2"	3/4"	50.00	65.00	1
03 x 02"	3"	2"	1 1/4"	59.00	74.00	2
04 x 02"	4"	2"	1 5/16"	64.00	79.00	3
04 x 03"	4"	3"	1 5/16"	64.00	79.00	6
05 x 04"	5"	4"	1 5/16"	84.00	99.00	7
06 x 04"	6"	4"	1 9/16"	84.00	99.00	8

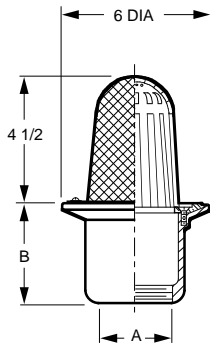


FLOOR DRAINS

FIG. 2670, 2671 PLANTING AREA DRAINS FOR SMALL AREAS



FUNCTION: Provides for the drainage of any excess moisture which builds up in planting or flower boxes. Heavy stainless steel mesh screen over the dome prevents soil or stones from entering the drain line.



OUTLET VARIATIONS (Specify type of outlet and pipe size in inches.)

Outlet Type	Outlet Designation	Outlet Type/Pipe Size	ADD
Inside Caulk	C02		N/C
Threaded (2670)	T02, T03		N/C
(2671)	T02, T03, T04		N/C
No-Hub	Y02, Y03, Y04		See Fig. 2646Y

OPTIONS:	ADD
-G Galvanized CI	100.00
-NBD Nickel Bronze Dome	193.00
-PBD Polished Bronze Dome	131.00
-U Vandal Proof	33.00

FIG. NO.	OUTLET SIZE	BODY DEPTH	FLANGE DIA	FREE AREA	†DUCO CI BRZ DOME	ALL BRZ (BB)	APPROX. WEIGHT LBS
2670	02, 03"	2"	6"	25	562.00	730.00	5
2671	02, 03"	4"	6"	25	790.00	989.00	7
2671	04"	4"	6"	25	984.00	1,510.00	9

REGULARLY FURNISHED: Duco Cast Iron Body, Bronze Flashing Clamp, Secured Bronze Dome with Stainless Steel Mesh Screen.

FIG. 2673, 2674 PLANTING AREA DRAINS FOR SMALL AREAS

FUNCTION: Provides for the drainage of any excess moisture which builds up in planting or flower boxes. Heavy stainless steel mesh screen over the dome prevents soil or stones from entering the drain line.

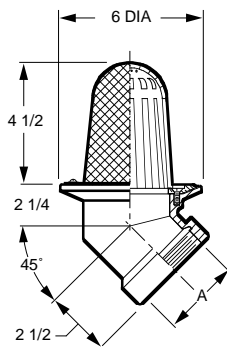


Fig. 2673

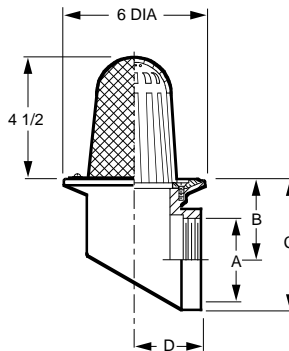


Fig. 2674

OUTLET VARIATIONS (Specify type of outlet and pipe size in inches.)

Outlet Type	Outlet Designation	Outlet Type/Pipe Size	ADD
Threaded	T02, T03, T04		N/C
No-Hub	Y02, Y03, Y04		See Fig. 2646Y

OPTIONS:	ADD
-G Galvanized CI	100.00
-NBD Nickel Bronze Dome	193.00
-PBD Polished Bronze Dome	131.00
-U Vandal Proof	33.00

A	OUTLET SIZE	FLANGE DIA	B	C	D	FREE AREA	†DUCO CI BRZ DOME	ALL BRZ (BB)	APPROX. WEIGHT LBS
02"	6"	2 1/2"	4"	2 1/2"	25	630.00	836.00	6	
03"	6"	3"	5 1/4"	3"	25	800.00	1,153.00	7	
04"	6"	3 1/2"	4"	6 1/4"	25	800.00	1,153.00	10	

REGULARLY FURNISHED: Duco Cast Iron Body, Bronze Flashing Clamp, Secured Bronze Dome with Stainless Steel Mesh Screen.

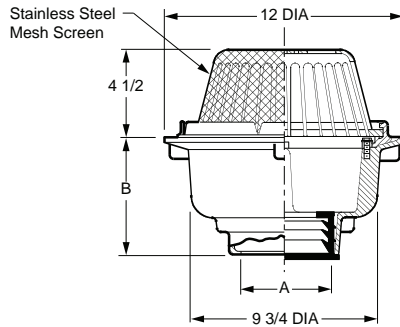


FLOOR DRAINS

FIG. 2675 PLANTING AREA DRAIN FOR LARGE AREAS



FUNCTION: Used to drain excess moisture which builds up in large planting or flower boxes. Extra large mesh covered dome insures greater drainage area and prevents soil or stones from entering the drain line.



A OUTLET SIZE	FLANGE DIA	FREE AREA SQ IN	†DUCO CI POLY DOME	DUCO CI BRZ DOME	APPROX. WEIGHT LBS
02, 03"	12"	53	735.00	988.00	24
04, 05"	12"	53	735.00	988.00	28
06"	12"	53	735.00	988.00	29

REGULARLY FURNISHED: Duco Cast Iron Body and Flashing Clamp with Polyethylene Dome and Stainless Steel Mesh Screen.

OUTLET VARIATIONS (Specify type of outlet and pipe size in inches.)

Outlet Type	Outlet Designation	Outlet Type/Pipe Size	"B" Body HT. DIM.	ADD
Inside Caulk	C02, C03, C04, C05, C06		6"	N/C
Speedi-Set SW	L02, L03, L04		6"	N/C
Speedi-Set XH	LXH02, LXH03, LXH04		6"	N/C
Threaded	T02, T03, T04, T05, T06		4 3/4"	68.00
No-Hub	Y02, Y03, Y04, Y05, Y06		6"	N/C

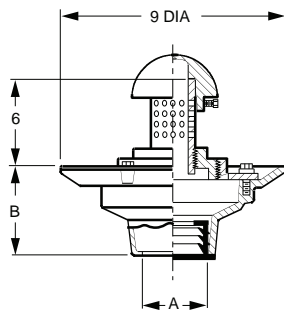
OPTIONS:

Option	Description	ADD
-AD	Aluminum Dome	109.00
-BB	Bronze Body and Collar	2,255.00
-C2	Secondary Flashing Clamp	112.00
-CID	Cast Iron Dome	N/C
-E	Ext, ea inch or fraction	52.00
-G	Galvanized CI	212.00
-R	Sump Receiver	156.00

FLOOR DRAINS

FIG. 2680 PLANTING AREA DRAIN FOR LARGE AREAS

FUNCTION: The perforated standpipe, when surrounded by gravel fill, provides drainage of excess water from the planting or flower box. Top of standpipe is set at ground level and protected by dome cap. Excess surface water overflows into top of standpipe.



A OUTLET SIZE	STANDPIPE HEIGHT	†DUCO CI PB DOME	DUCO CI CP DOME	APPROX. WEIGHT LBS
02, 03, 04"	6"	1,023.00	1,055.00	21

REGULARLY FURNISHED: Duco Cast Iron Body and Flashing Clamp with Bronze Standpipe and Polished Bronze Dome.

OUTLET VARIATIONS (Specify type of outlet and pipe size in inches.)

Outlet Type	Outlet Designation	Outlet Type/Pipe Size	"B" Body HT. DIM.	ADD
Inside Caulk	C02, C03, C04		4"	N/C
Speedi-Set SW	L02, L03, L04		4"	N/C
Speedi-Set XH	LXH02, LXH03, LXH04		4"	N/C
Threaded	T02, T03, T04		3"	68.00
No-Hub	Y02, Y03, Y04		4"	N/C

OPTIONS:

Option	Description	ADD
-CPD	CP Dome & Standpipe	185.00
-G	Galvanized CI	121.00
-LS	Longer Standpipe over 6" per inch	110.00
-NBD	NB Dome, SS Standpipe	618.00
-SSM	SS Mesh over 6" Standpipe per inch over 6"	175.00 110.00

DEDUCT

-RBD	Rough Bronze Dome	29.00
-SP	Solid Standpipe	N/C

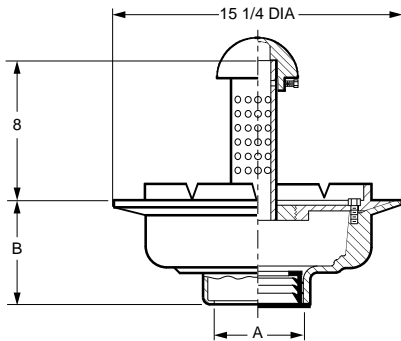


FLOOR DRAINS

FIG. 2685 PLANTING AREA DRAIN FOR LARGE AREAS



FUNCTION: The perforated standpipe when surrounded by gravel fill, provides drainage of excess water from the planting or flower box. Top of standpipe is set at ground level and protected by dome cap. Excess surface water overflows into top of standpipe.



A OUTLET SIZE	STANDPIPE HEIGHT	†DUCO CI PB DOME	DUCO CI CP DOME	APPROX. WEIGHT LBS
02, 03, 04"	8"	1,142.00	1,158.00	32

REGULARLY FURNISHED: Duco Cast Iron Body and Flashing Collar with Bronze 8" High Standpipe and Polished Bronze Dome.

OUTLET VARIATIONS (Specify type of outlet and pipe size in inches.)

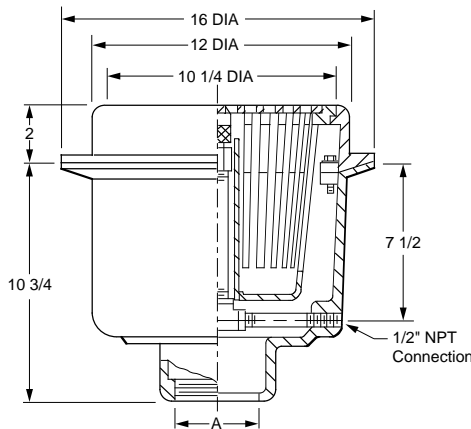
Outlet Type	Outlet Designation	Outlet Type/Pipe Size	"B" Body HT. DIM.	ADD
Inside Caulk	C02, C03, C04		5"	N/C
Speedi-Set SW	L02, L03, L04		5"	N/C
Speedi-Set XH	LXH02, LXH03, LXH04		5"	N/C
Threaded	T02, T03, T04		3 3/4"	68.00
No-Hub	Y02, Y03, Y04		5"	N/C

OPTIONS:	ADD
-G Galvanized CI	212.00
-LS Longer Standpipe over 8" per inch	110.00
-NBD NB Dome, SS Standpipe	618.00
-SSM SS Mesh over 8" Standpipe per inch over 8"	175.00

DEDUCT	
-RBD Rough Bronze Dome	29.00
-SP Solid Standpipe	N/C

FIG. 2690 COMBINATION GARBAGE CAN WASHER AND DRAIN

FUNCTION: Used in areas where it is desired to wash the interior of garbage and other cans, and prevent the solids from entering the waste line. The exclusive Smith design combines an engineered floor drain with a "single orifice" can washing nozzle. The spray from the nozzle is adjustable from a solid stream to a driving fine mist, providing a means for thoroughly scouring the interior of the can. The slotted sediment bucket catches all debris, and provides ample drainage. "Safe-Set" design insures bucket replacement after cleaning since top grate cannot be inserted unless bucket is in place.



A OUTLET SIZE	TOP SIZE	FREE AREA SQ IN	†GALV CI	GALV CI PB TOP	GALV CI NB TOP	APPROX. WEIGHT LBS
03, 04"	12"	28.5	2,267.00	2,693.00	2,750.00	86
05, 06"	12"	28.5	2,267.00	2,693.00	2,750.00	86

REGULARLY FURNISHED: All Galvanized Cast Iron Body with Flashing Collar, Loose Set Grate, Sediment Bucket, Pipe Assembly with Bronze Adjustable Spray Nozzle.

OUTLET VARIATIONS (Specify type of outlet and pipe size in inches.)

Outlet Type	Outlet Designation	Outlet Type/Pipe Size	ADD
Inside Caulk	C03, C04, C05, C06		N/C
Threaded	T03, T04, T05, T06		47.00
No-Hub			See Fig. 2646Y

OPTIONS:	ADD
-BS SS Mesh lined Bucket	286.00
-FBSCI Flat Bottom Str, CI	36.00
-S Square Top, CI	208.00
-SNB Square Top, add to CI	779.00
-SPB Square Top, add to CI	686.00

DEDUCT	
-CI Duco Cast Iron	554.00

For Water Supply Control Box, See Fig 3380 or 3385



FLOOR DRAINS

FIG. 2692 QUAD CLOSE TRAP SEAL



FUNCTION: The Quad Close Trap Seal forms a barrier to minimize the evaporation of the trap seal of a floor drain. The Quad Close Trap Seal will open to allow drainage and close when there is no flow. It is for use in floor drain outlets or the adjustable strainer throats.

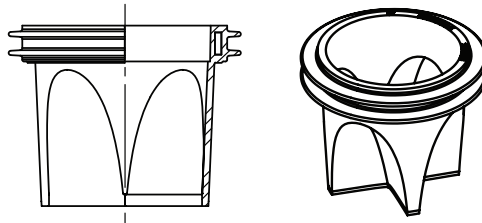


FIG. NO.	PIPE SIZE	
2692-0150	1 1/2"	POA
2692-02	2"	POA
2692-03	3"	POA
2692-0350*	3 1/2"	POA
2692-04	4"	POA
2692-06	6"	POA

*A bucket cannot be used with the 2692-0350 or any other version used in a strainer head.

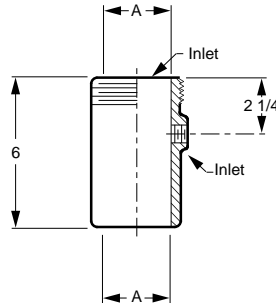
Patent No. 8,844,572

Refer to submittal for more information.

FLOOR DRAINS

FIG. 2695 AUXILIARY INLET FITTINGS-SPIGOT OUTLET

FUNCTION: Used as a means of inserting a trap primer connection in the outlet of a conventional floor drain.



INLET/OUTLET SIZE	AUXILIARY INLET SIZE*	†DUCO CI	GALV CI	APPROX. WEIGHT LBS
02"	050, 075"	117.00	175.00	3
03"	050, 075"	117.00	175.00	6
04"	050, 075"	117.00	175.00	10

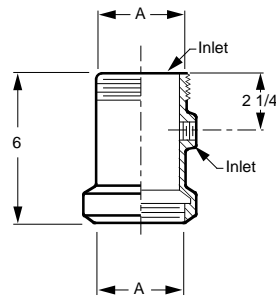
*Specify P050 (1/2") or P075 (3/4") Auxiliary Inlet Size

REGULARLY FURNISHED: Duco Cast Iron with 1/2" NPT Inlet Tapping.

FIG. 2696 AUXILIARY INLET FITTINGS-THREADED OUTLET

FUNCTION: Used as a means of inserting a trap primer connection in the outlet of a conventional floor drain.

2696
Same as
2695 with
Threaded
Outlet



*Specify P050 (1/2") or P075 (3/4") Auxiliary Inlet Size

A OUTLET SIZE	AUXILIARY INLET SIZE*	†DUCO CI	GALV CI	APPROX. WEIGHT LBS
02"	050, 075"	117.00	175.00	3
03"	050, 075"	117.00	175.00	6
04"	050, 075"	117.00	175.00	10

REGULARLY FURNISHED: Duco Cast Iron with 1/2" NPT Inlet Tapping.

FLOOR DRAINS

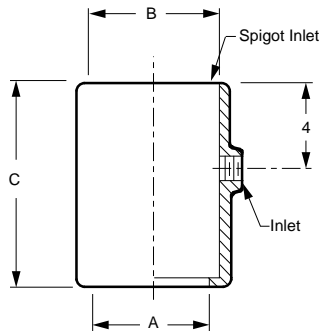
FIG. 2697 AUXILIARY INLET FITTINGS-CAULK OUTLET



FUNCTION: Used as a means of inserting a trap primer connection in the outlet of a conventional floor drain.

OPTIONS:
 -N2 2" NPT Auxiliary Inlet **ADD 209.00**

2697
 Same as
 2695 with
 Caulk Outlet



INLET/OUTLET SIZE	AUXILIARY INLET SIZE*	B	C	†DUCO CI	GALV CI	APPROX. WEIGHT LBS
02"	050, 075"	3	7 1/2"	117.00	175.00	3
03"	050, 075"	4	7 1/2"	117.00	175.00	6
04"	050, 075"	4	8 1/2"	117.00	175.00	10

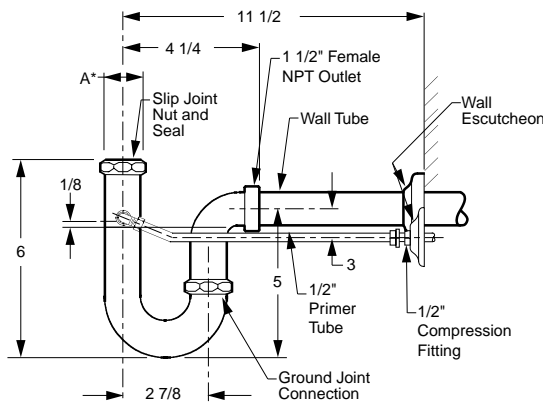
*Specify P050 (1/2") or P075 (3/4") Auxiliary Inlet Size

REGULARLY FURNISHED: Duco Cast Iron with 1/2" NPT Inlet Tapping.

FIG. 2698 PRIME-EZE® WATER SAVER TRAP PRIMER

FUNCTION: The water saver trap primer utilizes the temporary "head" of water in the p-trap which occurs during use of certain plumbing fixtures like lavatories and drinking fountains. This temporary head of water is sufficient to cause an "overflow" through the primer tube connection to allow a small amount of water to flow by gravity through a pipe under the floor to the floor drain trap primer connection. Thus, the floor drain trap seal is maintained.

OPTIONS:
 -ADA **ADD 35.00**



INLET/OUTLET SIZE	†17 GA CP SATIN BRONZE (-SF)	17 GA CP POLISHED BRONZE -(CP)	APPROX. WEIGHT LBS
0150"	350.00	402.00	4

NOTE: Invert of connection located 1/8" above static water level enabling "overflow" into primer tube when temporary head of water is created.

REGULARLY FURNISHED: Satin Chrome Plated Cast Bronze P-trap with Ground Joint Connection and Escutcheons, 1/2" Primer Tube with Compression Fitting Connection at Wall.



FLOOR DRAINS

FIG. 2699LF, FIG. 2699-1LF AUTOMATIC TRAP PRIMERS - LEAD FREE



FUNCTION: Used where trapped drains are installed in locations used infrequently or other conditions might permit water seal to evaporate, allowing sewer gas or objectionable and contaminating odors to escape through drain. A trap primer is recommended to compensate for evaporation while providing a water seal in the trap at all times.



FOR FIXTURES W/MIN. 2.5 GPM FLOW

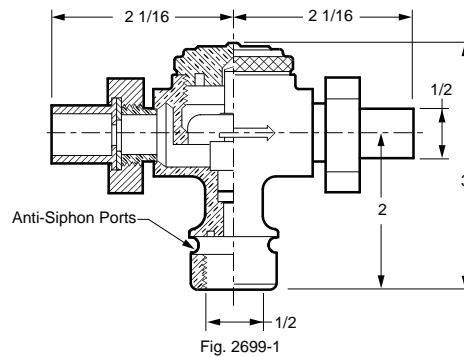
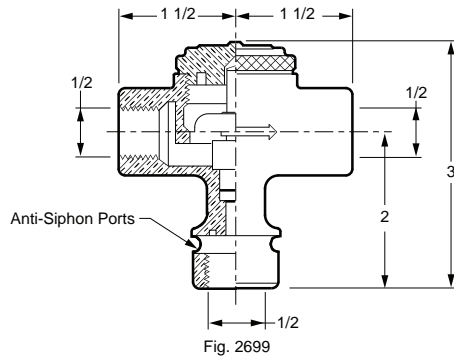


FIG. NO.	CONN. SIZE	†CAST BRONZE	CP BRONZE (-CP)	APPROX. WEIGHT LBS
2699LF	1/2" NPT	177.00		3
2699-1LF	1/2" Sweat	177.00		3
2699CPLF	1/2" NPT		235.00	3
2699-1CPLF	1/2" Sweat		235.00	3

REGULARLY FURNISHED: Lead Free Cast Bronze with 1/2" Connection as indicated by Figure Number Selected.

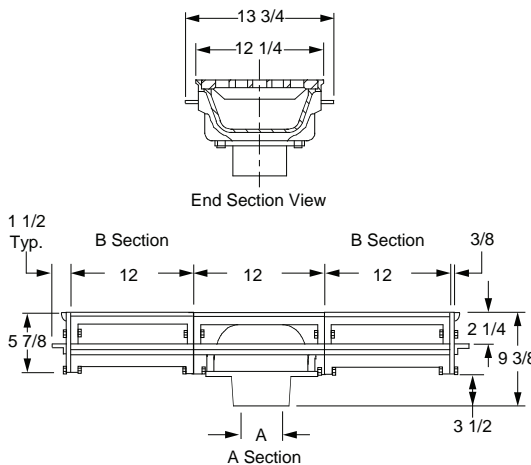
COMPLIES with LEAD PLUMBING LAW
"CERTIFIED by IAPMO R & T"
FILE NO. 8477
(NSF/ANSI 372)



NOTE: MUST BE LOCATED IN AN ACCESSIBLE LOCATION.

FIG. 2710 WIDE HEAVY DUTY MODULAR TRENCH DRAIN

FUNCTION: Used as a ramp drain in loading or parking areas where a wide continuous trench drain is required to handle moderate traffic loads and serve as a reservoir for large water runoff. Can also be used individually as an area drain ("A" Section Only).



OUTLET VARIATIONS (Specify type of outlet and pipe size in inches.)

Outlet Type	Outlet Designation	Outlet Type/Pipe Size	ADD
Inside Caulk		C03, C04, C05, C06, C08	N/C
No-Hub		Y03, Y04, Y05, Y06, Y08	N/C

OPTIONS:

		ADD Per Section	ADD "B" (Add'l) Per Section
-ARIO	ARC In and Out	562.00	562.00
-C	Flashing Clamp	114.00	114.00
-DBSCI	Dome Bottom Strainer, CI	207.00	
-EO	End Outlet	280.00	280.00
-G	Galvanized CI	469.00	469.00
-M	Ductile Iron Grate	522.00	522.00
-NBHP	Heelproof, add to CI	472.00	472.00
-PBHP	Heelproof, add to CI	472.00	472.00
-U	Vandal Proof Screws	176.00	176.00

NOTE: The above option prices are per section.

A OUTLET SIZE	TOP SIZE	FREE AREA SQ IN (EACH SECTION)	†DUCO CI	DUCO CI PB TOP	DUCO CI NB TOP	APPROX. WEIGHT LBS
03, 04, 05"	12 x 12"	39.3	1,432.00	2,138.00	2,246.00	51
06, 08"	12 x 12"	39.3	1,516.00	2,220.00	2,328.00	
Ea Add'l 12" Section			1,432.00	2,102.00	2,246.00	43

REGULARLY FURNISHED: Duco Cast Iron Flanged Body Outlet Section "A" and Flanged End Plate with Cast Iron Anti-Shift Loose Set Square Hole Grate.

Fig. 2710	"A" Section	
Fig. 2711	"A" Section	with (1) "B" Section
Fig. 2712	"A" Section	with (2) "B" Sections
Fig. 2713	"A" Section	with (3) "B" Sections
Fig. 2714	"A" Section	with (4) "B" Sections
Fig. 2715	"A" Section	with (5) "B" Sections
Fig. 2716	"A" Section	with (6) "B" Sections
Fig. 2717	"A" Section	with (7) "B" Sections
Fig. 2718	"A" Section	with (8) "B" Sections
Fig. 2719	"A" Section	with (9) "B" Sections
Fig. 2720	"A" Section	with (10) "B" Sections

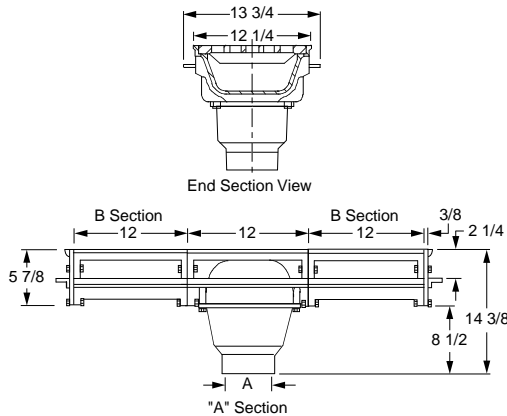


FLOOR DRAINS

FIG. 2710-DH WIDE HEAVY DUTY MODULAR TRENCH DRAIN



FUNCTION: Used as a ramp drain in loading or parking areas where a wide continuous trench drain is required to handle moderate traffic loads and serve as a reservoir for large water runoff. Can also be used individually as an area drain ("A" Section Only).



A OUTLET SIZE	TOP SIZE	FREE AREA SQ IN (EACH SECTION)	†DUCO CI	DUCO CI PB TOP	DUCO CI NB TOP	APPROX. WEIGHT LBS
03, 04, 05"	12 x 12"	39.3	1,189.00	1,771.00	1,864.00	51
06, 08"	12 x 12"	39.3	1,189.00	1,771.00	1,864.00	
Ea Add'l 12" Section			1,189.00	1,771.00	1,864.00	43

REGULARLY FURNISHED: Duco Cast Iron Flanged Body Outlet Section "A" and Flanged End Plate with Cast Iron Anti-Shift Loose Set Square Hole Grate.

OUTLET VARIATIONS (Specify type of outlet and pipe size in inches.)

Outlet Type	Outlet Designation	Outlet Type/Pipe Size	ADD
Inside Caulk		C03, C04, C05, C06, C08	N/C
No-Hub		Y03, Y04, Y05, Y06, Y08	N/C

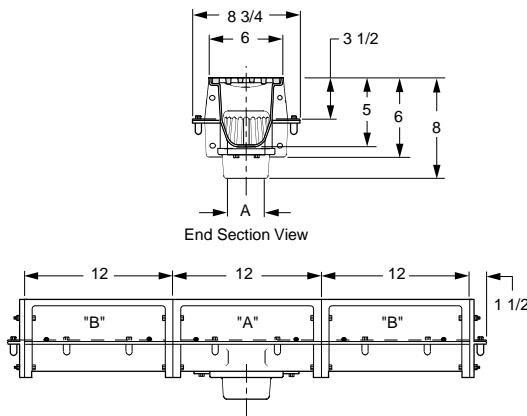
OPTIONS:		ADD "A" (Outlet) Per Section	ADD "B" (Add'l) Per Section
-ARIO	ARC In and Out	465.00	465.00
-B	Sediment Bucket	342.00	
-C	Flashing Clamp	90.00	90.00
-DBSCI	Dome Bottom Strainer, CI	172.00	
-EO	End Outlet		280.00
-G	Galvanized CI	391.00	391.00
-M	Ductile Iron Grate	433.00	433.00
-NBHP	Heelproof, add to CI	1,065.00	1,065.00
-PBHP	Heelproof, add to CI	971.00	971.00
-U	Vandal Proof Screws	145.00	145.00
-VCI	Backwater Valve, CI	571.00	
-VG	Backwater Valve, Galv. CI	753.00	

NOTE: The above option prices are per section.

- Fig. 2710 "A" Section
- Fig. 2711 "A" Section.....with (1) "B" Section
- Fig. 2712 "A" Section.....with (2) "B" Sections
- Fig. 2713 "A" Section.....with (3) "B" Sections
- Fig. 2714 "A" Section.....with (4) "B" Sections
- Fig. 2715 "A" Section.....with (5) "B" Sections
- Fig. 2716 "A" Section.....with (6) "B" Sections
- Fig. 2717 "A" Section.....with (7) "B" Sections
- Fig. 2718 "A" Section.....with (8) "B" Sections
- Fig. 2719 "A" Section.....with (9) "B" Sections
- Fig. 2720 "A" Section.....with (10) "B" Sections

FIG. 2810 NARROW HEAVY DUTY MODULAR TRENCH DRAIN

FUNCTION: Used in ramps, loading areas and as a continuous perimeter drain.



A OUTLET SIZE	TOP SIZE	FREE AREA SQ IN (EACH SECTION)	†DUCO CI	DUCO CI PB TOP	DUCO CI NB TOP	APPROX. WEIGHT LBS
02, 03, 04"	6 x 12"	16	1,086.00	1,622.00	1,711.00	51
Ea Add'l 12" Section			760.00	1,622.00	1,711.00	43

REGULARLY FURNISHED: Duco Cast Iron Flanged Body Outlet Section "A" and Flanged End Plates with Cast Iron Anti-Shift Loose Set Square Hole Grate, Dome Bottom Strainer.

OUTLET VARIATIONS (Specify type of outlet and pipe size in inches.)

Outlet Type	Outlet Designation	Outlet Type/Pipe Size	ADD
Inside Caulk		C02, C03, C04	N/C
Threaded		T02, T03, T04	58.00
No-Hub		Y02, Y03, Y04	N/C

OPTIONS:		ADD "A" (Outlet) Per Section	ADD "B" (Add'l) Per Section
-ARIO	ARC In and Out	381.00	381.00
-EO	End Outlet		280.00
-F	Anchor Flange	N/C	N/C
-FC	Flange and Flashing Clamp	114.00	114.00
-G	Galvanized CI	234.00	234.00
-M	Ductile Iron Grate	237.00	237.00
-SG	Slotted CI Grate	132.00	132.00
-U	Vandal Proof Screws	176.00	176.00

NOTE: The above option prices are per section.

- Fig. 2810 "A" Section
- Fig. 2811 "A" Section.....with (1) "B" Section
- Fig. 2812 "A" Section.....with (2) "B" Sections
- Fig. 2813 "A" Section.....with (3) "B" Sections
- Fig. 2814 "A" Section.....with (4) "B" Sections
- Fig. 2815 "A" Section.....with (5) "B" Sections
- Fig. 2816 "A" Section.....with (6) "B" Sections
- Fig. 2817 "A" Section.....with (7) "B" Sections
- Fig. 2818 "A" Section.....with (8) "B" Sections
- Fig. 2819 "A" Section.....with (9) "B" Sections
- Fig. 2820 "A" Section.....with (10) "B" Sections



FLOOR DRAINS



FIG. 2900 SERIES DECORATIVE TRENCH GRATING LAID IN LONG DIMENSION

FUNCTION: Decorative grating with frame offers an attractive appearance for drainage at building entrances, garden areas or for perimeter drainage of fountains. Recommended for very light or pedestrian traffic.

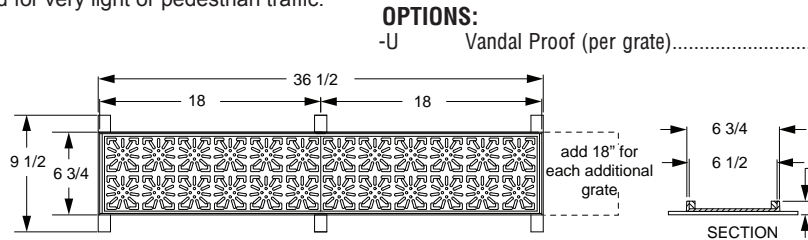


Fig. 2902 SHOWN

OPTIONS:
 -U Vandal Proof (per grate)..... **ADD POA**

GRATE MATERIAL	GRATE SIZE	SINGLE GRATE FREE AREA SQ IN	2900 GRATE ONLY	2901 GRATE w/FRAME	2902 2 GRATES w/FRAME	*ADD'L GRATE & FRAME
RB Rough Bronze	6 x 18"	29.5	POA	POA	POA	POA
PB Polished Bronze	6 x 18"	29.5	POA	POA	POA	POA
NB Nickel Bronze	6 x 18"	29.5	POA	POA	POA	POA
Approx. Wt. Lbs.			12	15	32	15(ea)

*This applies to continuous runs of frame & grates only.

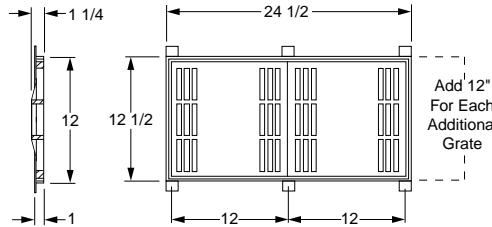
Fig. 29001 Grate Only - 6 1/2 x 18
 Fig. 29011 Grate with Frame - 6 3/4 x 18 1/2
 Fig. 29022 Grates with Frame - 6 3/4 x 36 1/2

NOTE: When ordering, last digit designates number of grates (if more than 9 grates - specify total number of grates and overall length.

REGULARLY FURNISHED: Polished Nickel Bronze Grate and Stainless Steel Frame.

FIG. 2910 SERIES LIGHT DUTY TRENCH GRATING LAID IN LONG DIMENSION

FUNCTION: Light duty grating and frame provide large free drainage area combined with the versatility of continuous grate sections in overall lengths to suit job conditions. The grates are designed for areas where there is pedestrian traffic only.



OPTIONS:
 -U Vandal Proof Screws, (per grate)..... **ADD POA**
 Add to cut Grate..... **POA**

GRATE MATERIAL	GRATE SIZE	SINGLE GRATE FREE AREA SQ IN	2910 GRATE ONLY	2911 GRATE w/FRAME	2912 2 GRATES w/FRAME	*ADD'L GRATE & FRAME
CI Duco Cast Iron†	12 x 12"	61.5	POA	POA	POA	POA
G Galvanized CI	12 x 12"	61.5	POA	POA	POA	POA
RB Rough Bronze	12 x 12"	61.5	POA	POA	POA	POA
PB Polished Bronze	12 x 12"	61.5	POA	POA	POA	POA
NB Nickel Bronze	12 x 12"	61.5	POA	POA	POA	POA
Approx. Wt. Lbs.			18	34	68	34(ea)
ADD FOR:						
M Ductile Iron	12 x 12"		POA	POA	POA	POA

*This applies to continuous runs of frame & grates only.

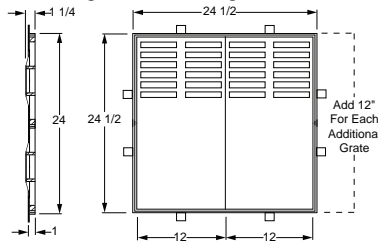
Fig. 29101 Grate Only - 12 x 12
 Fig. 29111 Grate with Frame - 12 1/2 x 12 1/2
 Fig. 29122 Grates with Frame - 12 1/2 x 24 1/2

NOTE: When ordering, last digit designates number of grates (if more than 9 grates - specify total number of grates and overall length.

REGULARLY FURNISHED: Duco Cast Iron Grate with Steel Frame.

FIG. 2920 SERIES LIGHT DUTY TRENCH GRATING LAID IN WIDE DIMENSION

FUNCTION: Light duty grating and frame provide large free drainage area combined with the versatility of continuous grate sections in overall lengths to suit job conditions. The grates are designed for areas where there is pedestrian traffic only.



OPTIONS:
 -U Vandal Proof Screws, (per grate) **ADD 286.00**
 Add to cut Grate **172.00**

*This applies to continuous runs of frame & grates only.

GRATE MATERIAL	GRATE SIZE	SINGLE GRATE FREE AREA SQ IN	2922 2 GRATES w/FRAME	2923 3 GRATES w/FRAME	2924 4 GRATES w/FRAME	*ADD'L GRATE & FRAME
CI Duco Cast Iron†	12 x 24"	69.5	1,684.00	2,242.00	2,802.00	558.00
G Galvanized CI	12 x 24"	69.5	2,187.00	3,093.00	3,940.00	810.00
RB Rough Bronze	12 x 24"	69.5	4,108.00	5,909.00	7,708.00	1,800.00
PB Polished Bronze	12 x 24"	69.5	4,712.00	6,846.00	8,981.00	2,133.00
NB Nickel Bronze	12 x 24"	69.5	5,119.00	7,397.00	9,677.00	2,278.00
Approx. Wt. Lbs.			69	98	132	34(ea)
ADD FOR:						
M Ductile Iron	12 x 24"		1,527.00	2,290.00	3,052.00	763.00

Fig. 29222 Grates with Frame - 24 1/2 x 24 1/2
 Fig. 29233 Grates with Frame - 24 1/2 x 36 1/2
 Fig. 29244 Grates with Frame - 24 1/2 x 48 1/2

NOTE: When ordering, last digit designates number of grates (if more than 9 grates - specify total number of grates and overall length.

REGULARLY FURNISHED: Duco Cast Iron Grate with Steel Frame.

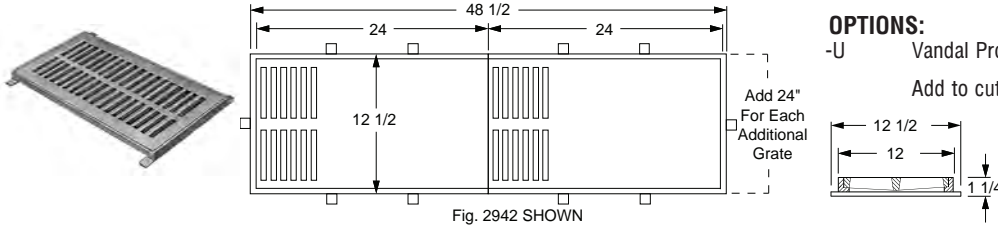


FLOOR DRAINS



FIG. 2940 SERIES MEDIUM DUTY TRENCH GRATING LAID IN LONG DIMENSION

FUNCTION: Medium duty grating and frame provide large free drainage area combined with the versatility of continuous grate sections in overall lengths to suit job conditions. The grates are designed for areas where there is pedestrian traffic only.



- OPTIONS:**
- U Vandal Proof Screws, (per grate) **ADD POA**
 - Add to cut Grate **POA**

GRATE MATERIAL	GRATE SIZE	SINGLE GRATE FREE AREA SQ IN	2940 GRATE ONLY	2941 GRATE w/FRAME	2942 2 GRATES w/FRAME	*ADD'L GRATE & FRAME
CI Duco Cast Iron†	12 x 24"	69.5	POA	POA	POA	POA
G Galvanized CI	12 x 24"	69.5	POA	POA	POA	POA
RB Rough Bronze	12 x 24"	69.5	POA	POA	POA	POA
PB Polished Bronze	12 x 24"	69.5	POA	POA	POA	POA
NB Nickel Bronze	12 x 24"	69.5	POA	POA	POA	POA
Approx. Wt. Lbs.			69	98	132	34(ea)
ADD FOR:						
M Ductile Iron	12 x 24"		POA	POA	POA	POA

*This applies to continuous runs of frame & grates only.

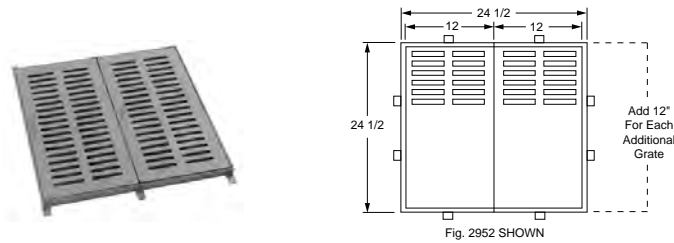
- Fig. 29401 Grate Only - 12 x 24
- Fig. 29411 Grate with Frame - 12 1/2 x 24 1/2
- Fig. 29422 Grates with Frame - 12 1/2 x 48 1/2

NOTE: When ordering, last digit designates number of grates (if more than 9 grates - specify total number of grates and overall length.

REGULARLY FURNISHED: Duco Cast Iron Grate with Steel Frame.

FIG. 2950 SERIES MEDIUM DUTY TRENCH GRATING LAID IN WIDE DIMENSION

FUNCTION: Medium duty grating and frame provide large free drainage area combined with the versatility of continuous grate sections in overall lengths to suit job conditions. The grates are designed for areas where there is pedestrian traffic only.



- OPTIONS:**
- U Vandal Proof Screws, (per grate) **ADD 286.00**
 - Add to cut Grate **172.00**

*This applies to continuous runs of frame & grates only.

GRATE MATERIAL	GRATE SIZE	SINGLE GRATE FREE AREA SQ IN	2952 2 GRATES w/FRAME	2953 3 GRATES w/FRAME	2954 4 GRATES w/FRAME	*ADD'L GRATE & FRAME
CI Duco Cast Iron†	12 x 24"	69.5	2,206.00	3,218.00	4,229.00	1,012.00
G Galvanized CI	12 x 24"	69.5	3,677.00	5,723.00	7,568.00	1,747.00
RB Rough Bronze	12 x 24"	69.5	5,744.00	8,562.00	11,387.00	2,820.00
PB Polished Bronze	12 x 24"	69.5	6,634.00	9,921.00	13,209.00	3,286.00
NB Nickel Bronze	12 x 24"	69.5	7,141.00	10,716.00	14,291.00	3,575.00
Approx. Wt. Lbs.			69	98	132	34(ea)
ADD FOR:						
M Ductile Iron	12 x 24"		1,527.00	2,289.00	3,051.00	763.00

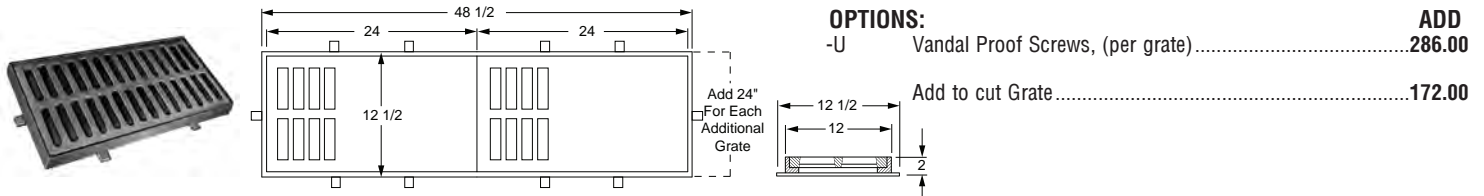
- Fig. 29522 Grates with Frame - 24 1/2 x 24 1/2
- Fig. 29533 Grates with Frame - 24 1/2 x 36 1/2
- Fig. 29544 Grates with Frame - 24 1/2 x 48 1/2

NOTE: When ordering, last digit designates number of grates (if more than 9 grates - specify total number of grates and overall length.

REGULARLY FURNISHED: Duco Cast Iron Grate with Steel Frame.

FIG. 2970 SERIES HEAVY DUTY TRENCH GRATING LAID IN LONG DIMENSION

FUNCTION: Heavy duty grating and frame provide large free drainage area combined with the versatility of continuous grate sections in overall lengths to suit job conditions. Grates are designed for areas where heavy trucks and traffic are encountered. Grates laid in wide dimensions for medium use only.



- OPTIONS:**
- U Vandal Proof Screws, (per grate) **ADD 286.00**
 - Add to cut Grate **172.00**

*This applies to continuous runs of frame & grates only.

GRATE MATERIAL	GRATE SIZE	SINGLE GRATE FREE AREA SQ IN	2970 GRATE ONLY	2971 GRATE w/FRAME	2972 2 GRATES w/FRAME	*ADD'L GRATE & FRAME
CI Duco Cast Iron†	12 x 24"	123	905.00	1,875.00	3,277.00	1,395.00
G Galvanized CI	12 x 24"	123	1,997.00	2,967.00	4,369.00	2,487.00
RB Rough Bronze	12 x 24"	123	3,120.00	5,399.00	9,562.00	4,238.00
PB Polished Bronze	12 x 24"	123	3,602.00	5,900.00	11,004.00	5,091.00
NB Nickel Bronze	12 x 24"	123	3,826.00	6,458.00	11,923.00	5,468.00
Approx. Wt. Lbs.			69	98	132	34(ea)
ADD FOR:						
M Ductile Iron	12 x 24"		961.00	961.00	1,922.00	961.00

- Fig. 29701 Grate only - 12 x 24
- Fig. 29711 Grate with Frame - 12 1/2 x 24 1/2
- Fig. 29722 Grates with Frame - 12 1/2 x 48 1/2

NOTE: When ordering, last digit designates number of grates (if more than 9 grates - specify total number of grates and overall length.

REGULARLY FURNISHED: Duco Cast Iron Grate with Steel Frame.

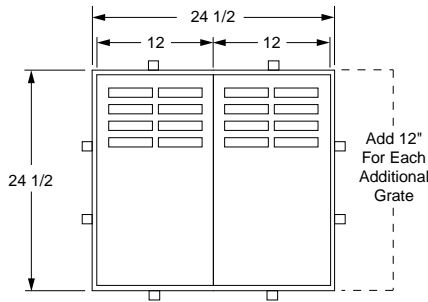


FLOOR DRAINS



FIG. 2980 SERIES HEAVY DUTY TRENCH GRATING LAID IN WIDE DIMENSION

FUNCTION: Heavy duty grating and frame provide large free drainage area combined with the versatility of continuous grate sections in overall lengths to suit job conditions. Grates are designed for areas where heavy trucks and traffic are encountered. Grates laid in wide dimensions for medium use only.



OPTIONS:

-U	Vandal Proof Screws, (per grate).....	ADD 286.00
	Add to cut Grate.....	220.00

GRATE MATERIAL	GRATE SIZE	SINGLE GRATE FREE AREA SQ IN	2982 2 GRATES w/FRAME	2983 3 GRATES w/FRAME	2984 4 GRATES w/FRAME	*ADD'L GRATE & FRAME
CI Duco Cast Iron†	12 x 24"	123	2,525.00	3,623.00	4,721.00	1,099.00
G Galvanized CI	12 x 24"	123	4,549.00	6,658.00	8,774.00	2,262.00
RB Rough Bronze	12 x 24"	123	7,544.00	10,681.00	13,821.00	3,137.00
PB Polished Bronze	12 x 24"	123	8,681.00	12,358.00	16,034.00	3,667.00
NB Nickel Bronze	12 x 24"	123	9,467.00	13,446.00	17,424.00	3,978.00
Approx. Wt. Lbs.			69	98	132	34(ea)
ADD FOR:						
M Ductile Iron	12 x 24"	123	1,782.00	2,672.00	3,563.00	891.00

*This applies to continuous runs of frame & grates only.

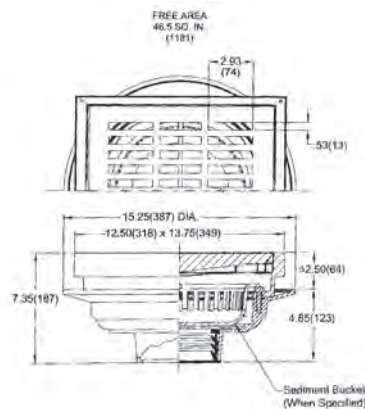
Fig. 29822 Grates with Frame - 24 1/2 x 24 1/2
 Fig. 29833 Grates with Frame - 24 1/2 x 36 1/2
 Fig. 29844 Grates with Frame - 24 1/2 x 48 1/2

NOTE: When ordering, last digit designates number of grates (if more than 9 grates - specify total number of grates and overall length.

REGULARLY FURNISHED: Duco Cast Iron Grate with Steel Frame.

FIG. SQ-2-1717 EXTRA HEAVY DUTY FLOOR DRAIN

FUNCTION: Used in heavy duty traffic areas where large top drain is required. The hinged grate eliminates loss of grate.



OPTIONS:

-ARC	Acid Resistance Coating.....	ADD 325.00
-ADJ	Adjustable Extension	400.00
-ADJ-B	Adjustable Extension w/ Bucket	551.00
-B	Bucket Only	151.00
-E	Solid Extension up to 4".....	345.00
-FBS	Flat Bottom Strainer	71.00
-GB	Galvanized Body Only.....	213.00
-GG	Galvanized DI Top Assembly	364.00
-P	Trap Primer Connection 1/2"	20.00
-VP	Vandal Proof Top	124.00
-V	Squeeze in BWV.....	60.00

A OUTLET SIZE	TOP SIZE	†DUCO CI	DUCO CI PB TOP	DUCO CI NB TOP	APPROX. WEIGHT LBS
02"	12"	835.00	1,510.00	1,551.00	54
03"	12"	835.00	1,510.00	1,551.00	54
04"	12"	835.00	1,510.00	1,551.00	54
06"	12"	1,003.00	1,687.00	1,734.00	54

*Ductile iron grate standard

REGULARLY FURNISHED: Duco Cast Iron Body and Flashing Collar with Cast Iron Hinged Bar Grate

FLOOR DRAINS

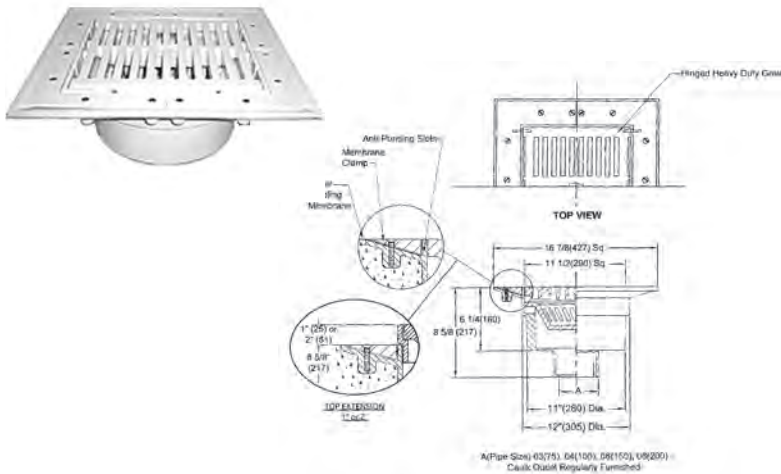


FLOOR DRAINS



FIG. SQ-2-2347 HEAVY DUTY PARKING DRAIN

FUNCTION: Used in Parking Areas Where a Large Capacity Drain With Surface Clamping Collar and Heavy Duty Hinged Grate is Required.



OPTIONS:	ADD
-TE1 1" Top Extension	185.00
-TE2 2" Top Extension	280.00

Note:

1. This drain is rated for 5500 lbs of static live load. If your application exceeds this please use SQ-2717.
2. The acid resistant coating is not traffic (vehicular or pedestrian) rated coating. Abrasion due to traffic will wear away the coating.

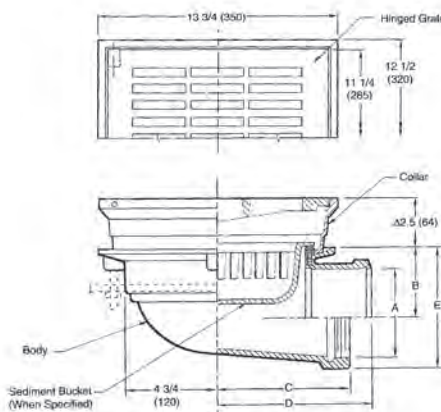
* Available on website

A OUTLET SIZE	TOP SIZE	EPOXY ALUMINUM	APPROX. WEIGHT LBS
04"	12" x 2	1,367.00	35
06"	12" x 2	1,367.00	35

REGULARLY FURNISHED: White Acid Resistant Coated Aluminum Alloy Body, Surface Membrane Clamping Collar, Anti-Ponding Slots, Sediment Bucket and Heavy Duty Anti-Tilt Hinged Slotted Grate with Stainless Steel Hinge Pins

FIG. SQ-2-2647 EXTRA HEAVY DUTY FLOOR DRAIN

FUNCTION: Same as indicated for SQ-2-1717 function



OPTIONS:	ADD
-ARC Acid Resistance Coating	325.00
-ADJ Adjustable Extension	400.00
-ADJ-B Adjustable Extension w/ Bucket	551.00
-B Bucket Only	151.00
-E Solid Extension up to 4"	345.00
-FBS Flat Bottom Strainer	71.00
-GB Galvanized Body Only	213.00
-GG Galvanized DI Top Assembly	364.00
-P Trap Primer Connection 1/2"	20.00
-VP Vandal Proof Top	124.00
-V Squeeze in BWV	60.00

*All Galvanized is cold dipped.

A OUTLET SIZE	TOP SIZE	†DUCO CI	DUCO CI PB TOP	DUCO CI NB TOP	APPROX. WEIGHT LBS
02, 03, 04"	12"	1,430.00	2,399.00	2,399.00	85
05, 06"	12"	1,430.00	2,399.00	2,399.00	85

REGULARLY FURNISHED: Duco Cast Iron Body and Flashing Collar with Cast Iron Hinged Bar Grate



SANITARY FLOOR, AREA & INDIRECT WASTE DRAINS



STAINLESS STEEL SANI-CEPTOR®

SANI-CEPTOR® WITH NICKEL BRONZE TOPS



Fig. 3001



Fig. DX3001



Fig. 3001NB



Fig. 3020



Fig. DX3027



Fig. 3030



Fig. 3040



Fig. 3060



Fig. DX3068



Fig. 3100



Fig. 3110



Fig. 3140



Fig. 3200



Fig. 3250



Fig. 3300



Fig. 3320



Fig. 3365



Fig. 3371



Fig. 3380



Fig. 3385



Fig. 3402



Fig. 3410



Fig. 3420



Fig. 3450



Fig. 3460



Fig. 3470



Fig. 3482

OPTIONAL TOP GRATES AND COVERS FOR INDIRECT WASTE APPLICATIONS



SUFFIX -11
With Rim Less Grate



SUFFIX -12
1/2 Grate



SUFFIX -13
3/4 Grate



SUFFIX -14
Grate/Center Hole



SUFFIX -15
w/Aluminum Recessed Grate



SUFFIX -18
Angle Grate



SUFFIX -19
NB Rim/Hinged Grate



SUFFIX -21
Grate w/4" Dia. Funnel



SUFFIX -22
Grate w/6" Dia. Funnel



SUFFIX -25
Grate 8 1/4 x 3 1/4 x 4 1/2
Oval Funnel



SUFFIX -26
Grate 6 x 2 1/2 x 1
Oval Funnel



SUFFIX -41
Solid Cover

SANITARY DRAINS

SANITARY FLOOR, AREA & INDIRECT WASTE DRAINS



Fig. 3510



Fig. 3515



Fig. 3520



Fig. 3530



Fig. 3540



SUFFIX -F13



SUFFIX -F20



SUFFIX -F25



SUFFIX -F30



SUFFIX -F37



SUFFIX -F40



Fig. 3580



Fig. 3581



Fig. 3590



Fig. 3591



Fig. 3610



Fig. 3620



Fig. 3650



Fig. 3660



Fig. 3710



Fig. 3720



Fig. 3750



Fig. 3760



Fig. 3810

FUNNELS



Fig. 3820

FIXED AIR GAPS



Fig. 3950



Fig. 3951

"ROOF-CEPTORS"®



Fig. 3960



Fig. 3980

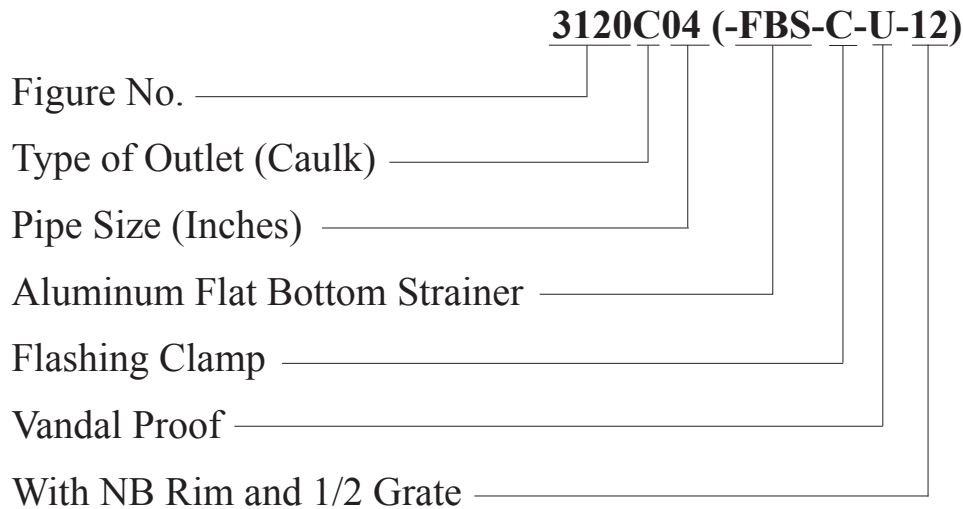
ORDERING GUIDELINES



3000 SERIES

After identifying the proper options required to meet the engineering specification, place order as shown below:

Examples:



*All variation suffixes are to be shown in parenthesis.

Drain Outlet Types:

- C Caulk Outlet
- T Threaded Outlet
- Y NO-HUB Outlet
- L Speedi-Set Service Weight
(02, 03 & 04" sizes only)
- LXH Speedi-Set Extra Heavy
(02, 03 & 04" sizes only)
- BW Butt Weld Outlet
(Specify Schedule -5, -10 or -40)
Example: 3001BW04 (-40)

Example: Pipe Size (Inches)

- 02 - 2"
- 03 - 3"
- 04 - 4"
- etc.

SANITARY FLOOR, AREA & INDIRECT WASTE DRAINS TECHNICAL DATA SECTION



PLUMBING CODE REQUIREMENTS

Indirect waste pipe is defined as a pipe that does not connect directly to the waste system but conveys liquid waste by discharging into a plumbing fixture (indirect waste receptor, floor sink, or similar code approved fixture) which is directly connected to the waste system. This installation provides an air gap which prevents contamination of food handling and other equipment required by code to be indirectly connected. Most code authorities require the receptor to have smooth, easy to clean corrosion-resistant interior surfaces. **Regular floor or hopper drains do not conform to these requirements because they have rough interiors with pockets and crevices which can harbor dirt and bacteria. These unsanitary conditions can spread disease, create unpleasant odors, and endanger human lives.**

SMITH DEVELOPMENT

In the early 1960's, Smith developed a complete line of **Sanitary Indirect Waste Receptor Drains** for installation in non-traffic areas. The interiors of the receptors had large radius corners, were ground smooth, and had an acid resistant coating applied making them easy to clean. A full line of dome strainers, sediment buckets, partial grates, covers, and funnels was developed. **There was a Smith Sanitary Indirect Waste Receptor Drain for every need. All conformed to the requirements of the most demanding plumbing codes.**

Fig. 1



A view of the acid resistant coating facility located in the modern Smith factory

A demand developed for these Sanitary Indirect Waste Receptor Drains to be installed in traffic areas. Smith responded with a complementary line of **Sanitary Floor and Area Drains**. Hundreds of thousands of these sanitary drains have been installed throughout the nation and in many foreign countries. This success led to the trademarked brand names **Sani-Ceptor®**, **Funnel-Ceptor®** and **Roof-Ceptor®** to identify the expanded product lines.

Through the years, Smith has found a growing need for an even more rugged, durable and corrosion-resistant **SANI-CEPTOR**. Again leading the way, **Smith engineers have developed a STAINLESS STEEL SANI-CEPTOR**. Today there is a body type and size available for every requirement and a top design for every need. **This wide selection, coupled with the Smith catalog numbering system, permits the specifier to "custom design" the SANI-CEPTOR to suit the individual needs of the particular application at mass production costs.**

SANI-CEPTOR USAGE

SANI-CEPTORS used as **sanitary indirect waste receptors** are required by modern plumbing codes in buildings where food is handled or

processed such as restaurants, cafeterias, food markets and food processing plants. **SANI-CEPTORS** used as **sanitary floor and area drains** are essential in locations where human life could be endangered due to lack of

sanitation such as hospitals, nursing and convalescent homes, clinic rooms and laboratories; also food processing plants such as dairies, creameries and breweries. These vital areas must be kept absolutely clean because the function which they serve is connected with the health and well-being of people. **When sanitation, durability and longevity are considered, SANI-CEPTORS are the most cost effective drains for most applications.**

HOW TO SELECT A "SANI-CEPTOR"®

Analyze the requirements in the following categories:

- Selection of Materials
- Selection of Receptor/Body
- Selection of Internal Strainers and Buckets
- Selection of Tops
- Selection of Special Application Items

• Selection of Materials

Smith SANI-CEPTORS are constructed in two basic types:

- 1) 14 Gauge type 304 stainless steel -SS body, SS internal strainers and buckets, and SS or Nickel Bronze tops.
- 2) Heavy cast iron body with acid resistant coated (A.R.C.) interior, aluminum internal strainers and buckets and nickel bronze or A.R.C. tops.

Stainless steel SANI-CEPTORS are seamless deep drawn and fabricated from 14 gauge type 304 stainless steel sheet. This heavy metal assures a rugged product. Type 304 SS is one of the most corrosion-resistant of the widely used stainless steels. For even greater corrosion resistance to certain chemicals, type 316 SS is offered as an optional material.

Strainers and Buckets for A.R.C. SANI-CEPTORS are furnished in light weight corrosion resistant aluminum because dropping a heavy cast iron strainer or bucket could chip or damage the coating causing almost irreparable damage. **Stainless Steel** SANI-CEPTORS are furnished with SS strainers and buckets. Since there is no coating to chip or damage, this potential problem is eliminated.

SS Tops or NB Rims and Grates are available for traffic areas and indirect waste applications. Both have excellent corrosion resistant qualities and are extremely serviceable where food waste and food acids are encountered. Neither will discolor like brass or bronze and both offer a "lasting" silver appearance. The polishing of a terrazzo floor and the "scuff-buff" action of foot traffic passing over a SS or NB top will actually add to its appearance. A.R.C. SANI-CEPTORS are available with cast iron grates and tops for non-traffic areas.

NOTE: For additional Sanitary Floor, Area and Indirect Waste drain technical or application data go to our web site at www.jrsmith.com or contact your local Jay R. Smith Representative.

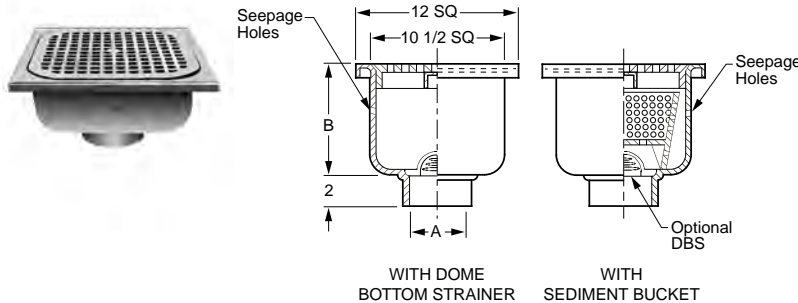
SANITARY DRAINS



FIG. 3001 SERIES SANI-CEPTOR® SS FLOOR, AREA & INDIRECT WASTE DRAINS WITH SS SQUARE TOPS
FIG. 3001NB SERIES SANI-CEPTOR® SS FLOOR, AREA & INDIRECT WASTE DRAINS WITH NB SQUARE TOPS

FUNCTION: 3001-3009 Series: Used in all locations where superior sanitation, corrosion resistance, durability and longevity are required. Essential in restaurants, kitchens and all types of food handling areas for ultimate sanitation. Ideal for breweries, dairies, creameries and similar processing plants where sanitation is paramount. Also suitable for nuclear and fossil fuel power stations, chemical plants, laboratories and other areas where the corrosion resistance of type 304 stainless steel is satisfactory for the intended service.

3001 SERIES

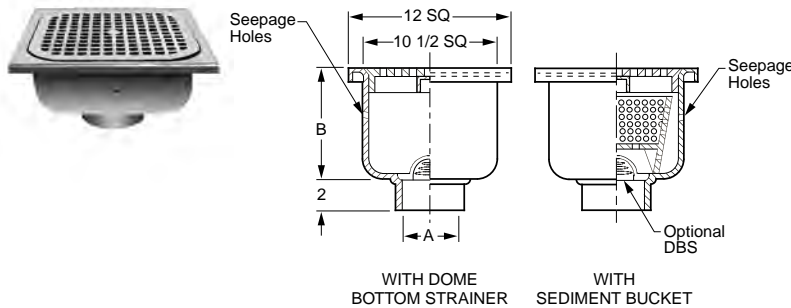


REGULARLY FURNISHED:

3001 Series: 14 Gauge Type 304 SS Receptor Body with Seepage Control Holes, Cast Type 316 SS Ribbed Non-Tilt Loose Set Grate with 1/2" Square Holes. Perforated SS Dome Bottom Strainer or Sediment Bucket as indicated by Figure Number. Body Interior, Dome Bottom Strainer and Sediment Bucket are polished to No. 4 finish.

FUNCTION: 3001NB-3009NB Series: Used in all locations where superior sanitation, corrosion resistance, durability and longevity are required. Essential in restaurants, kitchens and all types of food handling areas for ultimate sanitation. Ideal for breweries, dairies, creameries and similar processing plants where sanitation is paramount.

3001 SERIES



REGULARLY FURNISHED:

3001NB Series: 14 Gauge Type 304 SS Receptor Body with Seepage Control Holes, 12 1/2" SQ NB Rim and Secured Ribbed Grate with 1/2" Square Holes. Perforated SS Dome Bottom Strainer or Sediment Bucket as indicated by Figure Number. Body Interior, Dome Bottom Strainer and Sediment Bucket are polished to No. 4 finish.

FIG. NO. w/DOME STRAINER	A OUTLET SIZE	B SUMP DEPTH	TOP SIZE	†LESS FLANGE	WITH FLANGE	APPROX. WEIGHT LBS
3001	02", 03", 04"	4"	12" SQ	POA	POA	14
3002	02", 03", 04"	6"	12" SQ	POA	POA	17
3003	02", 03", 04"	8"	12" SQ	POA	POA	20
3004	02", 03", 04"	10"	12" SQ	POA	POA	23
FIG. NO. SEDIMENT BUCKET	A OUTLET SIZE	B SUMP DEPTH	TOP SIZE	†LESS FLANGE	WITH FLANGE	APPROX. WEIGHT LBS
3006	02", 03", 04"	4"	12" SQ	POA	POA	16
3007	02", 03", 04"	6"	12" SQ	POA	POA	19
3008	02", 03", 04"	8"	12" SQ	POA	POA	22
3009	02", 03", 04"	10"	12" SQ	POA	POA	25
3006NB	02", 03", 04"	4"	12 1/2" SQ	POA	POA	20
3007NB	02", 03", 04"	6"	12 1/2" SQ	POA	POA	23
3008NB	02", 03", 04"	8"	12 1/2" SQ	POA	POA	26
3009NB	02", 03", 04"	10"	12 1/2" SQ	POA	POA	29

OUTLET VARIATIONS (Specify type of outlet and pipe size in inches.)

Outlet Type	Outlet Type/Pipe Size	ADD
No-Hub	Y02, Y03, Y04	POA
Butt Weld	BW02, BW03, BW04 (Schedule -5)	POA
	BW02, BW03, BW04 (Schedule -10)	POA
	BW02, BW03, BW04 (Schedule -40)	POA

OPTIONS:

Option	ADD
-P Trap Primer Connection	POA
-U Vandal Proof Grate	POA
-T Male or Female Threaded Outlet	POA
-316 Type 316 Stainless Steel Bodies and Grates	POA

Anchor Flange (-F) Models:

-C Flashing Clamp (Type 304)	POA
-LSH Less Seepage Control Holes	POA

Models w/Secured NB Grate:

-U Vandal Proof Grate	POA
-----------------------	-----

Models w/Buckets:

-BS With Mesh lined Bucket	POA
-DBS With Type 304 SS Dome Bottom Strainer	POA
-SBP With Solid Bottom Ported Bucket	POA

MODELS WITH 12" STAINLESS STEEL TOPS (All Type 304- Type 316 POA)

-10 Less Stainless Steel Grate	DEDUCT POA
-12 With Type 304 SS 1/2 Grate	ADD POA
-13 With Type 304 SS 3/4 Grate	ADD POA
-14 With Type 304 SS Grate with 2 1/2" SQ Center Hole	ADD POA
-15 With Type 304 SS Recessed Grate with Bar Handle	ADD POA
-21 With Type 304 SS Grate with 4" DIA NB Funnel	ADD POA
-22 With Type 304 SS Grate with 6" DIA NB Funnel	ADD POA
-25 With Type 304 SS Grate with 8 1/4 x 3 1/4 x 4 1/2" High Oval NB Funnel	ADD POA
-26 With NB Grate With 6" x 2 1/2 x 1" High Oval NB Funnel	ADD POA
-41 With Type 304 SS Solid Cover	ADD POA
-42 With Type 304 SS 1/2 Solid Cover	ADD POA
-43 With Type 304 SS 3/4 Solid Cover	ADD POA
-44 With Type 304 SS Solid Cover w/2 1/2" SQ Center Hole	ADD POA
-61 With Type 304 SS Heelproof Ribbed Loose-set Grate with 1/4" Square Holes	ADD POA
-62 With Type 304 SS Medium Duty Ribbed Loose-set Non-tilt Grate with 1/2" Square Holes	ADD POA
-63 With Type 304 SS Medium Duty Ribbed Loose-set Non-tilt Grate with 1/4" Square Holes	ADD POA
-64 With Type 304 SS Heavy Duty Ribbed Loose-set Non-tilt Grate with 1/2" Square Holes	ADD POA
-66 With Type 304 SS Extra Heavy Duty Ribbed Loose-set Non-tilt Grate with 1/2" Square Holes	ADD POA
-68 With Type 304 SS Extra Heavy Duty Ribbed Loose-set Non-tilt 3/4 Grate with 1/2" Square Holes	ADD POA
-69 With 1" Thick Underbolted NB Rim and Extra Heavy Duty Cast Type 304 SS Secured Grate	ADD POA

MODELS WITH 12 1/2" NICKEL BRONZE TOPS (SUFFIX NB)

-10 Less NB Rim and Grate	DEDUCT POA
-11 With NB Rim less Grate	DEDUCT POA
-12 With NB Rim and 1/2 Grate	ADD POA
-13 With NB Rim and 3/4 Grate	ADD POA
-14 With NB Rim and Grate with 2 1/2" SQ Center Hole	ADD POA
-15 With NB Rim and Aluminum Recessed Grate	ADD POA
-18 With NB Rim and Angle Grate	ADD POA
-19 With NB Rim and Hinged Grate	ADD POA
-21 With NB Rim and Grate with 4" DIA NB Funnel	ADD POA
-22 With NB Grate with 6" DIA NB Funnel	ADD POA
-25 With NB Rim and Grate with 8 1/4 x 3 1/4 x 4 1/2" High Oval NB Funnel	ADD POA
-26 With NB Rim and Grate with 6 x 2 1/2 x 1" High Oval NB Funnel	ADD POA
-41 With NB Rim and Solid Cover	ADD POA
-42 With NB Rim and 1/2 Solid Cover	ADD POA
-43 With NB Rim and 3/4 Solid Cover	ADD POA
-44 With NB Rim and 2 1/2" Dia Hole in Solid Cover	ADD POA
-69 With 1" Thick Underbolted NB Rim and Extra Heavy Duty Secured Grate	ADD POA

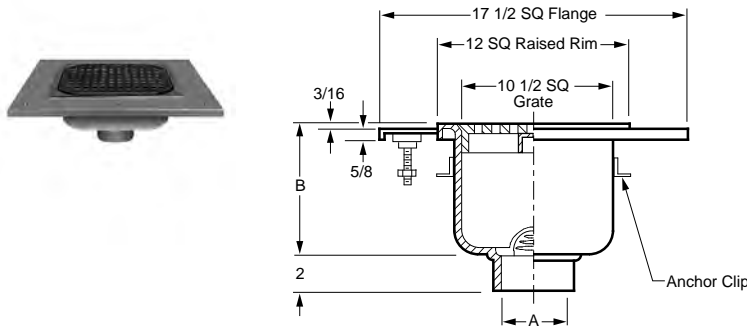
SANITARY DRAINS

FIG. DX3001 SERIES SANI-CEPTOR® SS WIDE FLANGE FLOOR, AREA & INDIRECT WASTE DRAINS WITH SS SQUARE TOPS

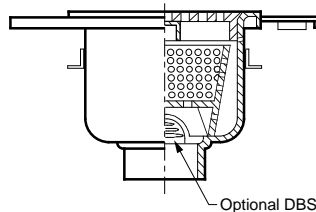


FUNCTION: Used in all locations where superior sanitation, corrosion resistance, durability and longevity are required, and where the floor or deck will be surfaced with troweled, composition elastomeric covering. These coverings consist of slip sheet bondcoat, membrane and finish coatings. They form an entirely seamless waterproof, resilient traffic floor or deck. They are normally applied in 3/16" thickness, however, thicknesses may be increased to 1/2" for specialized application. Refer to covering manufacturer for specifications and thicknesses to be used.

OUTLET VARIATIONS (Specify type of outlet and pipe size in inches.)



WITH DOME BOTTOM STRAINER



WITH SEDIMENT BUCKET

FIG. NO. w/DOME STRAINER	A OUTLET SIZE	B SUMP DEPTH	†SS SQUARE FLANGE	APPROX. WEIGHT LBS
DX3001	02", 03", 04"	4"	POA	29
DX3002	02", 03", 04"	6"	POA	32
DX3003	02", 03", 04"	8"	POA	35
DX3004	02", 03", 04"	10"	POA	38
FIG. NO. w/ SEDIMENT BUCKET	A OUTLET SIZE	B SUMP DEPTH	†SS SQUARE FLANGE	APPROX. WEIGHT LBS
DX3006	02", 03", 04"	4"	POA	29
DX3007	02", 03", 04"	6"	POA	32
DX3008	02", 03", 04"	8"	POA	35
DX3009	02", 03", 04"	10"	POA	38

REGULARLY FURNISHED: 14 Gauge Type 304 SS Receptor Body with Reinforced Stainless Steel Square Flange set 3/16" Below Rim and Cast Type 316 SS Ribbed Non-Tilt Loose Set Grate with 1/2" Square Holes. Flange has Glass Blast Finish for Bond Coat Adhesion and Countersunk Anchoring Holes. Body is Provided with Anchor Clips. Perforated SS Dome Bottom Strainer or Sediment Bucket is Indicated by Figure Number. Body Interior, Dome Bottom Strainer and Sediment Bucket are polished to No. 4 finish.

Outlet Type	Outlet Designation	ADD
No-Hub	Y02, Y03, Y04	POA
Butt Weld	BW02, BW03, BW04 (Schedule -5)	POA
	BW02, BW03, BW04 (Schedule -10)	POA
	BW02, BW03, BW04 (Schedule -40)	POA

OPTIONS:	ADD
-AB With 1/4 x 2 1/2 SS Anchor Bolts	POA
-AS With 1/4 x 2 1/2 SS Anchor Screws	POA
-FT With Flange Top set 3/8" or 1/2" Below Top of Rim and Grate	POA
-P Trap Primer Connection	POA
-U Vandal Proof Grate	POA
-SG With Scribed Guide	POA
-T Male or Female Threaded Outlet	POA
-316 Type 316 Stainless Steel Bodies and Grates	POA

Anchor Flange (-F) Models:	ADD
-C Flashing Clamp (Type 304)	POA
-LSH Less Seepage Control Holes	POA

Models w/Buckets:	ADD
-BS With Mesh lined Bucket	POA
-DBS With Type 304 SS Dome Bottom Strainer	POA
-SBP With Solid Bottom Ported Bucket	POA

MODELS WITH 12" STAINLESS STEEL TOPS (All Type 304- Type 316 POA)

DEDUCT	ADD
-10 Less Stainless Steel Grate	POA
-12 With Type 304 SS 1/2 Grate	POA
-13 With Type 304 SS 3/4 Grate	POA
-14 With Type 304 SS Grate with 2 1/2" SQ Center Hole	POA
-15 With Type 304 SS Recessed Grate with Bar Handle	POA
-21 With Type 304 SS Grate with 4" DIA NB Funnel	POA
-22 With Type 304 SS Grate with 6" DIA NB Funnel	POA
-25 With Type 304 SS Grate with 8 1/4 x 3 1/4 x 4 1/2" High Oval NB Funnel	POA
-26 With NB Grate With 6" x 2 1/2 x 1" High Oval NB Funnel	POA
-41 With Type 304 SS Solid Cover	POA
-42 With Type 304 SS 1/2 Solid Cover	POA
-43 With Type 304 SS 3/4 Solid Cover	POA
-44 With Type 304 SS Solid Cover w/2 1/2" SQ Center Hole	POA
-61 With Type 304 SS Heelproof Ribbed Loose-set Grate with 1/4" Square Holes	POA
-62 With Type 304 SS Medium Duty Ribbed Loose-set Non-tilt Grate with 1/2" Square Holes	POA
-63 With Type 304 SS Medium Duty Ribbed Loose-set Non-tilt Grate with 1/4" Square Holes	POA
-64 With Type 304 SS Heavy Duty Ribbed Loose-set Non-tilt Grate with 1/2" Square Holes	POA
-66 With Type 304 SS Extra Heavy Duty Ribbed Loose-set Non-tilt Grate with 1/2" Square Holes	POA
-68 With Type 304 SS Extra Heavy Duty Ribbed Loose-set Non-tilt 3/4 Grate with 1/2" Square Holes	POA



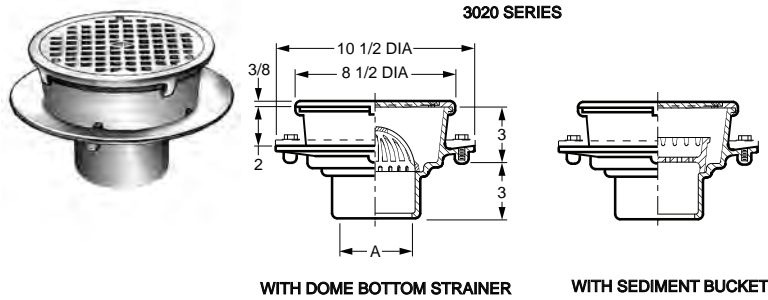
SANITARY DRAINS



FIG. 3020 SERIES SANI-CEPTOR® ARC FLOOR & INDIRECT WASTE DRAINS, SHALLOW RECEPTOR, ROUND NICKEL BRONZE TOP FIG. 3030 SERIES SANI-CEPTOR® ARC FLOOR & INDIRECT WASTE DRAINS, SHALLOW RECEPTOR, ROUND NICKEL BRONZE TOP

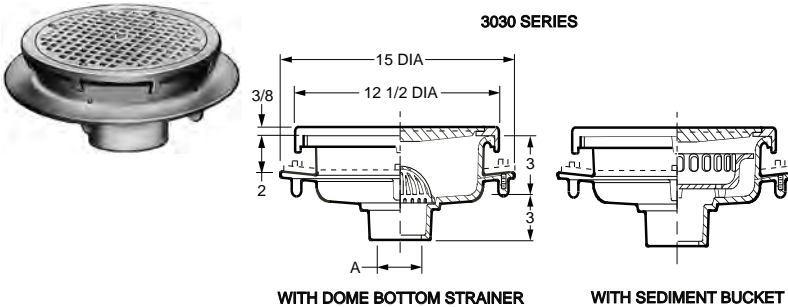
FUNCTION: Used in kitchens, hospitals, food markets, restaurants, schools and all types of food handling areas where the ultimate in sanitation is desirable and a small capacity receptor is required.

OUTLET VARIATIONS (Specify type of outlet and pipe size in inches.)



WITH DOME BOTTOM STRAINER

WITH SEDIMENT BUCKET



WITH DOME BOTTOM STRAINER

WITH SEDIMENT BUCKET

FIG. NO.	A OUTLET SIZE	TOP SIZE	FREE AREA SQ IN	†ALUMINUM DOME BOTTOM STRAINER	†ALUMINUM SEDIMENT BUCKET	APPROX. WEIGHT LBS
3020	02", 03", 04"	8 1/2"	17.35	1,183.00	-	15
3021	02", 03", 04"	8 1/2"	17.35	-	1,343.00	16
**3030	02", 03", 04"	12 1/2"	30	1,603.00	-	23
**3031	02", 03", 04"	12 1/2"	30	-	1,795.00	24

REGULARLY FURNISHED: Cast Iron Flanged Receptor with Seepage Holes, Acid Resistant Coated Interior, Nickel Bronze Rim and Secured Grate. Aluminum Dome Bottom Strainer or Sediment Bucket as Indicated by Figure Number.

*Speedi-Seal Gasket Available for use with 2, 3, or 4" Caulk Outlet Bodies as Indicated. Specify Service Weight (SW) or Extra Heavy (XH).

**For Fig. 3030 & 3031, when No-Hub outlet is specified, a Caulk Outlet with Gasket will be substituted.

Outlet Type	Outlet Designation	ADD
Inside Caulk	C02, C03, C04	N/C
Speedi-Seal Gasket*	02, 03, 04	35.00
No-Hub**	Y02, Y03, Y04	N/C

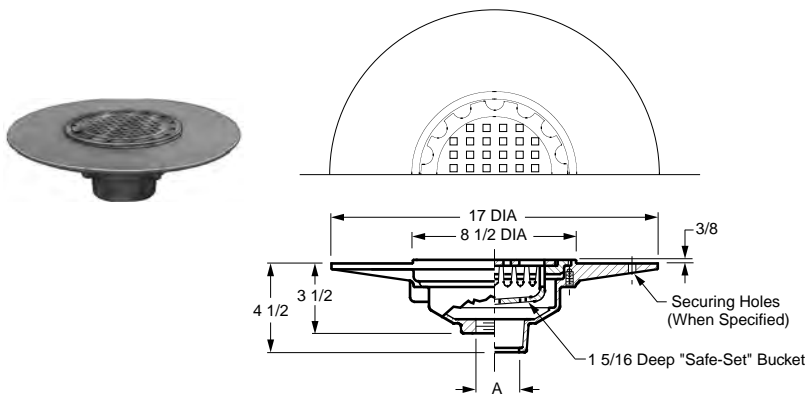
OPTIONS:	3020 SER.	3030 SER.	ADD
-C Flashing Clamp	334.00	119.00	
-DBSE ARC Dome Bottom Strainer	193.00	193.00	
-G All Galvanized Receptor	N/C	N/C	
-P Trap Primer Connection	120.00	117.00	
-PDBS Polished Alum DBS	35.00	35.00	
-U Vandal Proof Screws	97.00	46.00	
-12 W/NB Rim and 1/2 Grate	N/C	N/C	
-13 W/NB Rim and 3/4 Grate	N/C	N/C	
-14 W/NB Rim & Grate w/2 1/2 SQ Ctr Hole	111.00	107.00	
-15 W/NB Rim and Alum Recessed Grate	117.00	213.00	
-19 W/NB Rim and Hinged Grate	213.00	213.00	
-21 W/NB Rim & Grate w/4" Dia NB Funnel	241.00	259.00	
-22 W/NB Rim & Grate w/6" Dia NB Funnel	312.00	383.00	
-25 W/NB Rim & Grate w/8 1/4 x 3 1/4 x 4 1/2 Oval NB Funnel	339.00	534.00	
-26 W/NB Rim & Grate w/6 x 2 1/2 x 1 Oval NB Funnel	259.00	259.00	
-41 W/NB Rim and Solid Cover	102.00	138.00	
-42 W/NB Rim and 1/2 Solid Cover	102.00	138.00	
-43 W/NB Rim and 3/4 Solid Cover	102.00	138.00	
-44 W/NB Rim and Solid Cvr 2 1/2" Dia Ctr Hole	209.00	244.00	
-51 W/Square NB Rim and NB Grate	264.00	295.00	

DEDUCT	ADD
-CI Duco Cast Iron Receptor	101.00
-FBS Aluminum Flat Bottom Strainer (Replaces DBS)	13.00
-10 Less NB Rim & Grate	N/C
-11 Less Grate, with NB Rim	N/C
Less Flange (Specify Fig. 3025, 3026 3035, 3036)	Contact factory

SANITARY DRAINS

FIG. DX3027 SANI-CEPTOR® ARC FLOOR & INDIRECT WASTE DRAINS, WIDE FLANGE, ROUND NICKEL BRONZE TOP

FUNCTION: Used in kitchen areas where waterproof traffic floor coverings are applied. The acid resistant coated interior makes it ideal for kitchens, hospitals and schools. "Safe-Set" design insures bucket replacement after cleaning since top grate cannot be inserted unless bucket is in place.



OUTLET VARIATIONS (Specify type of outlet and pipe size in inches.)

Outlet Type	Outlet Designation	ADD
Inside Caulk	C02, C03, C04	N/C
Threaded	T02, T03, T04	47.00
No-Hub	Y02, Y03, Y04, Y05, Y06	See Fig. 2646Y

OPTIONS:	ADD	DEDUCT
-SH Securing Holes	74.00	
-U Vandal Proof Screws	35.00	
-LBGNB Less NB Bucket & Grate		58.00
-LBGPB Less PB Bucket & Grate		52.00

FIG. NO.	A OUTLET SIZE	TOP SIZE	FREE AREA SQ IN	PB TOP	†NB TOP	APPROX. WEIGHT LBS
DX3027	02", 03", 04"	8 1/2"	14.1	940.00	1,054.00	25

REGULARLY FURNISHED: Cast Iron Body with Acid Resistant Coated Interior and Nickel Bronze Top with Sediment Bucket.

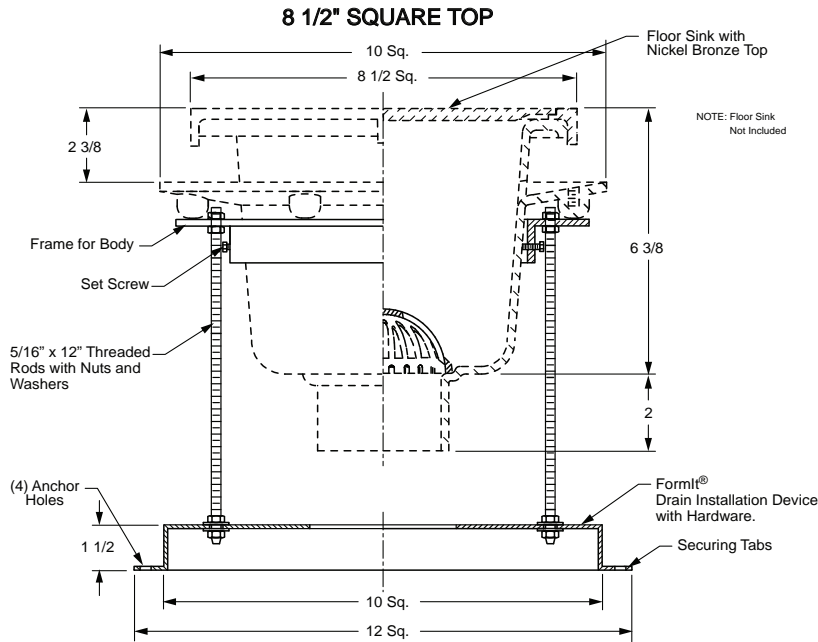


SANITARY DRAINS



FIG. 3038-DID FORMIT® DRAIN INSTALLATION DEVICE FOR 8 1/2" SQUARE ENAMELED FLOOR SINK SERIES

FUNCTION: The Jay R. Smith Mfg. Co.® FormIt® Drain Installation Device is designed to stabilize the drain and provide adjustment during the installation process and allows final connection of outlet piping to drain after the concrete pour.

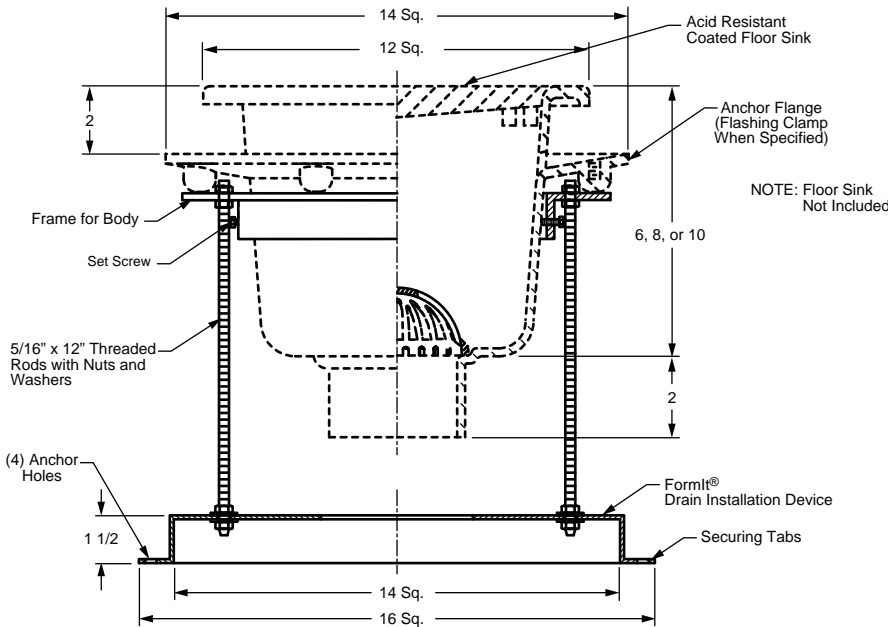


REGULARLY FURNISHED: FormIt® Drain Installation Device for 8 1/2" Square Enameled Floor Sink Series.

NOTE: Applies to Figure Numbers: 3100, 3101, 3410 & 3411. For pricing, refer to appropriate Figure Number.

FIG. 3039-DID FORMIT® DRAIN INSTALLATION DEVICE FOR 12" SQUARE ENAMELED FLOOR SINK SERIES

FUNCTION: The Jay R. Smith Mfg. Co.® FormIt® Drain Installation Device is designed to stabilize the drain and provide adjustment during the installation process and allows final connection of outlet piping to drain after the concrete pour.



REGULARLY FURNISHED: FormIt® Drain Installation Device for 12" Square Enameled Floor Sink Series.

NOTE: Designed to be used with Smith 12" square top drains.

NOTE: Applies to Figure Numbers: 3110, 3111, 3120, 3121, 3130, 3131, 3140, 3141, 3150, 3151, 3160, 3161, 3420, 3421, 3430, 3431, 3440 & 3441. For pricing, refer to appropriate Figure Number.



SANITARY DRAINS



FIG. DX3068 SANI-CEPTOR® ARC FLOOR & INDIRECT WASTE DRAINS, WIDE FLANGE, ROUND NICKEL BRONZE TOP

FUNCTION: Used in kitchen areas where waterproof traffic floor coverings are applied. The acid resistant coated interior makes it ideal for kitchens, hospitals and schools.

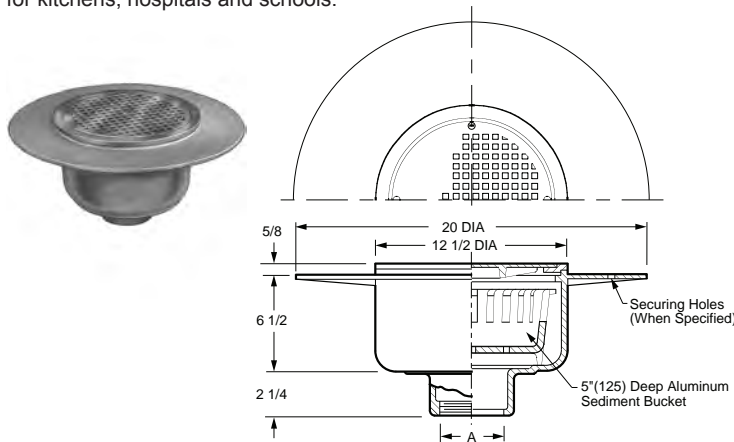


FIG. NO.	A OUTLET SIZE	TOP SIZE	FREE AREA SQ IN	PB TOP	†NB TOP	APPROX. WEIGHT LBS
DX3068	02", 03", 04"	12 1/2"	30	1,924.00	2,175.00	43
DX3068	05", 06"	12 1/2"	30	1,924.00	2,175.00	43

REGULARLY FURNISHED: Cast Iron Body with Acid Resistant Coated Interior and Nickel Bronze Top with Sediment Bucket.

OUTLET VARIATIONS (Specify type of outlet and pipe size in inches.)

Outlet Type	Outlet Designation	Outlet Type/Pipe Size	ADD
Inside Caulk	C02, C03, C04, C05, C06		N/C
Threaded	T02, T03, T04		N/C
Speedi-Seal Gasket*	02, 03, 04		N/C
No-Hub	Y02, Y03, Y04, Y05, Y06		See Fig. 2646Y

OPTIONS:

Option	Description	ADD
-SH	Securing Holes	80.00
-U	Vandal Proof Screws	62.00
-12	W/NB Rim and 1/2 Grate	N/C
-16	W/NB Rim & Heelproof Grate	706.00

DEDUCT

-11	Less Grate, with NB Rim	N/C
-----	-------------------------	-----

*Speedi-Seal Gasket Available for use with 2, 3, or 4" Caulk Outlet Bodies as Indicated. Specify Service Weight (SW) or Extra Heavy (XH).

IMPORTANT INSTALLATION NOTE

If water-proof deck covering thickness is greater (or less) than the dimension shown, the drain body should be set to compensate for the variation in thickness. Drain body should be set low enough to permit "dimpling" of area surrounding drain.

FIG. 3040 SERIES SANI-CEPTOR® ARC FLOOR & INDIRECT WASTE DRAINS, SHALLOW RECEPTOR, ROUND NICKEL BRONZE TOP FIG. 3060 SERIES SANI-CEPTOR® ARC FLOOR & INDIRECT WASTE DRAINS, SHALLOW RECEPTOR, ROUND NICKEL BRONZE TOP

FUNCTION: Used in kitchens, hospitals, food markets, restaurants, schools and all types of food handling areas where the ultimate in sanitation is desirable and a small capacity receptor is required.

OUTLET VARIATIONS (Specify type of outlet and pipe size in inches.)

Outlet Type	Outlet Designation	Outlet Type/Pipe Size	ADD
Inside Caulk	C02, C03, C04		N/C
Speedi-Set Outlet SW	L02, L03 (3060 Ser. only)		32.00
Speedi-Set Outlet XH	LXH02, LXH03 (3060 Ser. only)		32.00
Speedi-Seal Gasket*	02, 03, 04		35.00
No-Hub**	Y02, Y03, Y04 (3060 Ser. only)		N/C

OPTIONS:

Option	Description	3040 SER.	3060 SER.
-C	Flashing Clamp	328.00	334.00
-DBSE	ARC Dome Bottom Strainer	222.00	222.00
-G	All Galvanized Receptor	193.00	193.00
-P	Trap Primer Connection	120.00	120.00
-PDBS	Polished Alum DBS	35.00	35.00
-U	Vandal Proof Screws	62.00	62.00
-12	W/NB Rim and 1/2 Grate	N/C	N/C
-13	W/NB Rim and 3/4 Grate	N/C	N/C
-14	W/NB Rim & Grate w/2 1/2 SQ Ctr Hole	111.00	111.00
-15	W/NB Rim and Alum Recessed Grate	132.00	132.00
-19	W/NB Rim and Hinged Grate	213.00	213.00
-21	W/NB Rim & Grate w/4" Dia NB Funnel	270.00	270.00
-22	W/NB Rim & Grate w/6" Dia NB Funnel	404.00	404.00
-25	W/NB Rim & Grate w/8 1/4 x 3 1/4 x 4 1/2 Oval NB Funnel	567.00	567.00
-26	W/NB Rim & Grate w/6 x 2 1/2 x 1 Oval NB Funnel	270.00	270.00
-41	W/NB Rim and Solid Cover	121.00	121.00
-42	W/NB Rim and 1/2 Solid Cover	121.00	121.00
-43	W/NB Rim and 3/4 Solid Cover	121.00	121.00
-44	W/NB Rim and 2 1/2" Dia Center Hole	249.00	242.00
-51	W/Square NB Rim and NB Grate	264.00	295.00

DEDUCT

-CI	Duco Cast Iron Receptor	101.00	173.00
-FBS	Aluminum Flat Bottom Strainer (Replaces DBS)	13.00	13.00
-10	Less NB Rim & Grate	N/C	N/C
-11	Less Grate, with NB Rim	N/C	N/C
	Less Flange (Specify Fig. 3045, 3046 3065, 3066)		Contact factory

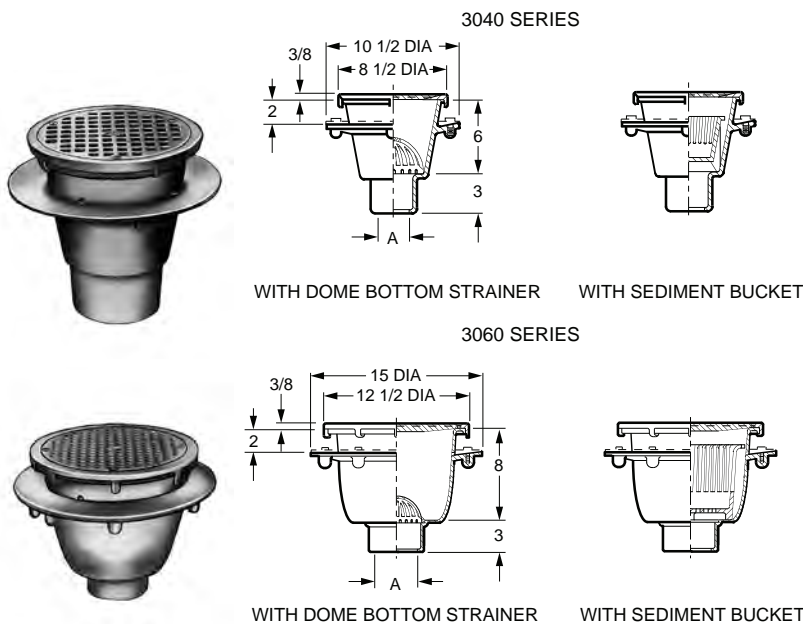


FIG. NO.	A OUTLET SIZE	TOP SIZE	FREE AREA SQ IN	†DOM BOTTOM STRAINER	†SEDIMENT BUCKET	APPROX. WEIGHT LBS
**3040	02", 03", 04"	8 1/2"	17.35	1,414.00	-	22
**3041	02", 03", 04"	8 1/2"	17.35	-	1,550.00	23
3060	02", 03", 04"	12 1/2"	30	2,180.00	-	35
3061	02", 03", 04"	12 1/2"	30	-	2,566.00	36

REGULARLY FURNISHED: Cast Iron Flanged Receptor with Seepage Holes, Acid Resistant Coated Interior, Nickel Bronze Rim and Secured Grate. Dome Bottom Strainer or Sediment Bucket as Indicated by Figure Number.

*Speedi-Seal Gasket Available for use with 2, 3, or 4" Caulk Outlet Bodies as Indicated. Specify Service Weight (SW) or Extra Heavy (XH).

**For Fig. 3040 & 3041, when No-Hub outlet is specified, a Caulk Outlet with Gasket will be substituted.



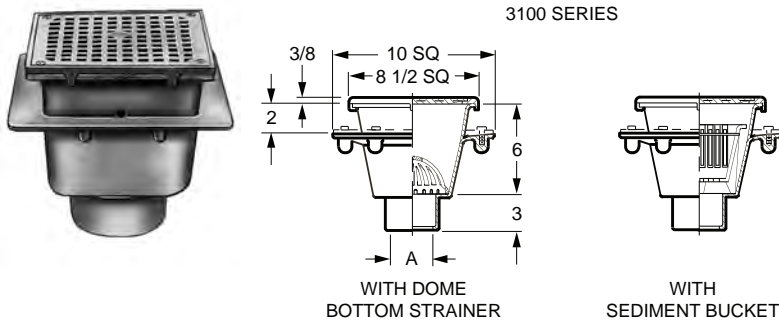
SANITARY DRAINS

SMITH®



FIG. 3100 SERIES SANI-CEPTOR® ARC FLOOR & INDIRECT WASTE DRAINS, MEDIUM RECEPTOR, SQUARE NB TOP
FIG. 3110, 3120, 3130 SERIES SANI-CEPTOR® ARC FLOOR & INDIRECT WASTE DRAINS, MEDIUM & DEEP RECEPTORS, SQUARE NB TOP

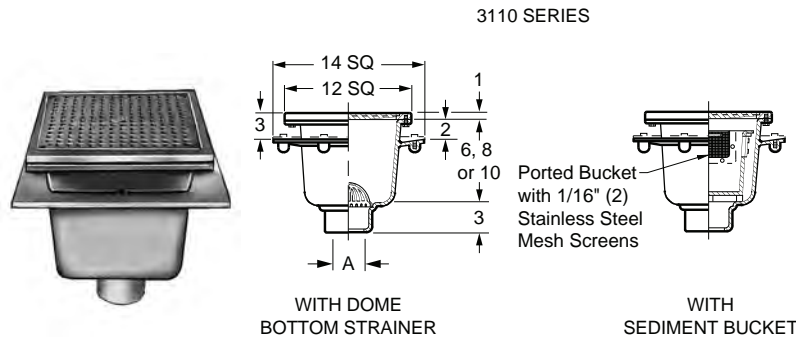
FUNCTION: 3100 Series: Used in kitchens, hospitals, food markets, restaurants, schools and all types of food handling areas where the ultimate in sanitation is desirable and a medium capacity receptor is required.



REGULARLY FURNISHED: Cast Iron Flanged Receptor with Seepage Holes, Acid Resistant Coated Interior, Nickel Bronze Rim and Secured Grate. Aluminum Dome Bottom Strainer or Plastic ABS Sediment Bucket as Indicated by Figure Number.

FIG. NO.	A OUTLET SIZE	TOP SIZE	FREE AREA SQ IN	†DOME BOTTOM STRAINER	†ABS SEDIMENT BUCKET	APPROX. WEIGHT LBS
3100	02", 03", 04"	8 1/2"	19.43	1,690.00	-	22
3101	02", 03", 04"	8 1/2"	19.43	-	1,830.00	23

FUNCTION: 3110, 3120, 3130 Series: Used in creameries, dairies, breweries and other locations which utilize a quarry tile floor requiring a 3" flange to top dimension. The ported sediment bucket catches all solids yet provides ample drainage.



REGULARLY FURNISHED: Cast Iron Flanged Receptor with Seepage Holes, Acid Resistant Coated Interior, Nickel Bronze Rim and Secured Grate. Dome Bottom Strainer or Sediment Bucket as Indicated by Figure Number.

FIG. NO.	A OUTLET SIZE	TOP SIZE	SUMP DEPTH	FREE AREA SQ IN	†DOME BOTTOM STRAINER	†SEDIMENT BUCKET	APPROX. WEIGHT LBS
3110	02", 03", 04"	12"	6	42	2,617.00	-	35
3111	02", 03", 04"	12"	6	42	-	2,825.00	36
3120	02", 03", 04"	12"	8	42	2,009.00	-	52
3121	02", 03", 04"	12"	8	42	-	2,217.00	55
3130	02", 03", 04"	12"	10	42	2,666.00	-	67
3131	02", 03", 04"	12"	10	42	-	2,874.00	71

OUTLET VARIATIONS (Specify type of outlet and pipe size in inches.)

Outlet Type	Outlet Designation	ADD
Inside Caulk	C02, C03, C04	N/C
Speedi-Set Outlet SW	L02, L03, L04	32.00
Speedi-Set Outlet XH	LXH02, LXH03, LXH04	32.00
Speedi-Seal Gasket*	02, 03, 04	35.00
No-Hub	Y02, Y03, Y04	N/C

OPTIONS:		3100 SERIES	3110/3120/3130 SERIES	ADD
-ASB	Slotted Bucket (Bkt Models Only)	-	-	N/C
-BS	SS Mesh Lined Bkt (Bkt Models Only)	332.00	332.00	332.00
-C	Flashing Clamp	234.00	371.00	371.00
-DBSE	ARC Dome Bottom Strainer	N/C	222.00	222.00
-DID	Drain Installation Device	155.00	155.00	155.00
-G	All Galvanized Receptor	N/C	N/C	N/C
-PDBS	Polished Alum DBS	35.00	35.00	35.00
-P	Trap Primer Connection	120.00	120.00	120.00
-SBP	Solid Bottom Ported Bucket w/Mesh Screen (Bucket Models Only)	-	-	332.00
-U	Vandal Proof Screws	62.00	62.00	62.00
-12	W/NB Rim and 1/2 Grate	N/C	N/C	N/C
-13	W/NB Rim and 3/4 Grate	N/C	N/C	N/C
-14	W/NB Rim & Grate w/2 1/2 SQ Ctr Hole	111.00	111.00	111.00
-15	W/NB Rim and Alum Recessed Grate	121.00	121.00	121.00
-18	W/NB Rim and Angle Grate	-	722.00	722.00
-19	W/NB Rim and Hinged Grate	249.00	249.00	249.00
-21	W/NB Rim & Grate w/4" Dia NB Funnel	270.00	270.00	270.00
-22	W/NB Rim & Grate w/6" Dia NB Funnel	404.00	404.00	404.00
-25	W/NB Rim & Grate w/8 1/4 x 3 1/4 x 4 1/2 Oval NB Funnel	567.00	567.00	567.00
-26	W/NB Rim & Grate w/6 x 2 1/2 x 1 Oval NB Funnel	270.00	270.00	270.00
-41	W/NB Rim and Solid Cover	121.00	146.00	146.00
-42	W/NB Rim and 1/2 Solid Cover	121.00	146.00	146.00
-43	W/NB Rim and 3/4 Solid Cover	121.00	146.00	146.00
-44	W/NB Rim and Solid Cvr 2 1/2" Dia Ctr Hole	281.00	281.00	281.00
-69	W/NB Rim and XH Stainless Steel Secured Grate (12" tops)	-	POA	POA
-CI	Duco Cast Iron Receptor	101.00	173.00	173.00
-FBS	Alum. Flat Bottom Strnr (Replaces DBS)	13.00	13.00	13.00
-10	Less NB Rim & Grate	N/C	N/C	N/C
-11	Less Grate, with NB Rim	128.00	296.00	296.00
	Less Flange (Specify Fig. 3105, 3106 3115, 3116, 3125, 3126, 3135, 3136)		Contact factory	Contact factory

DEDUCT

*Speedi-Seal Gasket Available for use with 2, 3, or 4" Caulk Outlet Bodies as Indicated. Specify Service Weight (SW) or Extra Heavy (XH).

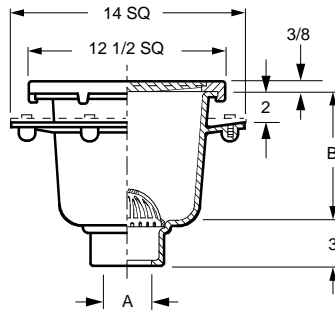


SANITARY DRAINS

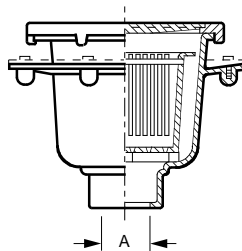
FIG. 3140, 3150, 3160 SERIES SANI-CEPTOR® ARC FLOOR & INDIRECT WASTE DRAINS, MEDIUM, DEEP & EXTRA DEEP RECEPTORS, SQUARE NB TOP



FUNCTION: Used in kitchens, hospitals, food markets, restaurants, schools and all types of food handling areas where the ultimate in sanitation is desirable and a medium capacity receptor is required.



WITH BOTTOM DOME STRAINER



WITH SEDIMENT BUCKET

FIG. NO.	A OUTLET SIZE	TOP SIZE	SUMP DEPTH	FREE AREA SQ IN	†DOME BOTTOM STRAINER	†ABS SEDIMENT BUCKET	APPROX. WEIGHT LBS
3140	02", 03", 04"	12 1/2"	6	42	2,617.00	-	50
3141	02", 03", 04"	12 1/2"	6	42	-	2,825.00	54
3150	02", 03", 04"	12 1/2"	8	42	2,009.00	-	54
3151	02", 03", 04"	12 1/2"	8	42	-	2,217.00	57
3160	02", 03", 04"	12 1/2"	10	42	2,666.00	-	59
3161	02", 03", 04"	12 1/2"	10	42	-	2,874.00	63

REGULARLY FURNISHED: Cast Iron Flanged Receptor with Seepage Holes, Acid Resistant Coated Interior, Nickel Bronze Rim and Secured Grate. Dome Bottom Strainer or Plastic ABS Sediment Bucket as Indicated by Figure Number.

OUTLET VARIATIONS (Specify type of outlet and pipe size in inches.)

Outlet Type	Outlet Designation	ADD
Inside Caulk	C02, C03, C04	N/C
Speedi-Set Outlet SW	L02, L03, L04	32.00
Speedi-Set Outlet XH	LXH02, LXH03, LXH04	32.00
Speedi-Seal Gasket*	02, 03, 04	35.00
No-Hub	Y02, Y03, Y04	N/C

OPTIONS:

OPTION	DESCRIPTION	ADD
-BS	SS Mesh Lined Bucket (Bucket Models Only)	332.00
-C	Flashing Clamp	371.00
-DBSE	ARC Dome Bottom Strainer	222.00
-DID	Drain Installation Device	155.00
-G	All Galvanized Receptor	N/C
-P	Trap Primer Connection	82.00
-PDBS	Polished Alum DBS	35.00
-SBP	Solid Bottom Ported Bkt w/SS mesh (Bucket Models Only)	332.00
-U	Vandal Proof Screws	62.00
-12	W/NB Rim and 1/2 Grate	N/C
-13	W/NB Rim and 3/4 Grate	N/C
-14	W/NB Rim & Grate w/2 1/2" SQ Hole (7" SQ. Center Hole on 16 1/2" Tops)	111.00
-15	W/NB Rim & Alum Recess Grate	121.00
-16	W/NB Rim & Heelproof Grate	299.00
-18	W/NB Rim & Angle Grate	722.00
-19	W/NB Rim and Hinged Grate	249.00
-21	W/NB Rim & Grate w/4" NB Funnel	270.00
-22	W/NB Rim & Grate w/6" NB Funnel	404.00
-25	W/NB Rim & Grate w/8 1/4 x 3 1/4 x 4 1/2 Oval NB Funnel	567.00
-26	W/NB Rim & Grate w/6 x 2 1/2 x 1 Oval NB Funnel	270.00
-41	W/NB Rim and Solid Cover	146.00
-42	W/NB Rim and 1/2 Solid Cover	146.00
-43	W/NB Rim and 3/4 Solid Cover	146.00
-44	W/NB Rim and Solid Cover 2 1/2" Dia Center Hole	261.00
-69	W/NB Rim and XH SS Secured Grate	POA

DEDUCT

-CI	Duco Cast Iron Receptor	173.00
-FBS	Aluminum Flat Bottom Strainer (Replaces DBS)	13.00
-10	Less NB Rim & Grate	N/C
-11	Less Grate, with NB Rim	N/C
	Less Flange (Specify Fig. 3145, 3146, 3155, 3156, 3165, 3166)	Contact factory

SANITARY DRAINS



*Speedi-Seal Gasket Available for use with 2, 3, or 4" Caulk Outlet Bodies as Indicated. Specify Service Weight (SW) or Extra Heavy (XH).

SANITARY DRAINS

FIG. 3200, 3250 SERIES SANI-CEPTOR® ARC FLOOR & INDIRECT WASTE DRAINS, EXTRA DEEP RECEPTORS, SQUARE & RECTANGULAR NB TOP

FUNCTION: Used in kitchens, schools, laundries and other commercial installations where a large volume of waste is anticipated and the ultimate in sanitation is desirable.

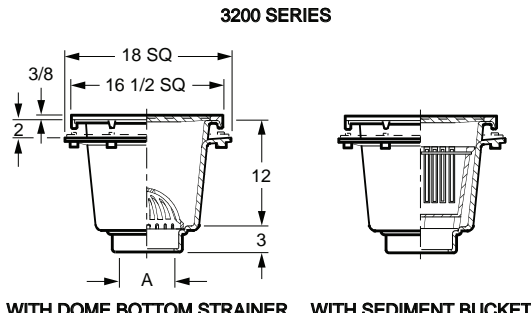


FIG. NO.	A OUTLET SIZE	TOP SIZE	FREE AREA SQ IN	†DOME BOTTOM STRAINER	†SEDIMENT BUCKET	APPROX. WEIGHT LBS
3200	02", 03", 04"	16 1/2"	77	5,544.00	-	83
3200	05", 06", 08"	16 1/2"	77	5,544.00	-	83
3201	02", 03", 04"	16 1/2"	77	-	6,133.00	87
3201	05", 06", 08"	16 1/2"	77	-	6,133.00	87

REGULARLY FURNISHED: 3200 Series: Cast Iron Flanged Receptor with Seepage Holes, Acid Resistant Coated Interior, Nickel Bronze Rim and Secured Grate. Dome Bottom Strainer or Sediment Bucket as Indicated by Figure Number.

FUNCTION: Used in kitchens, schools, laundries and other commercial installations where a large volume of waste is anticipated and the ultimate in sanitation is desirable.

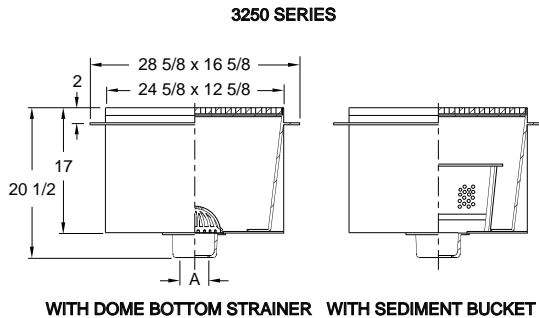


FIG. NO.	A OUTLET SIZE	TOP SIZE	FREE AREA SQ IN	†ARC CI DOME BOTTOM STRAINER	†STAINLESS STEEL SEDIMENT BUCKET	APPROX. WEIGHT LBS
3250	02", 03", 04"	24 x 12"	125	7,396.00	-	134
3250	05", 06"	24 x 12"	125	7,396.00	-	134
3251	02", 03", 04"	24 x 12"	125	-	8,539.00	134
3251	05", 06"	24 x 12"	125	-	8,539.00	134

REGULARLY FURNISHED: 3200 Series:
3250 Series: Fabricated Steel Flanged Receptor with Acid Resistant Coated Interior and Nickel Bronze Rim and Secured Grate. Acid Resistant Coated Dome Bottom Strainer or Stainless Steel Sediment Bucket as Indicated By Figure Number.

OUTLET VARIATIONS (Specify type of outlet and pipe size in inches.)

Outlet Type	Outlet Designation Outlet Type/Pipe Size	ADD
Inside Caulk	C02, C03, C04	N/C
	C05, C06, C08	N/C
Speedi-Seal Gasket*	02, 03, 04	35.00
No-Hub	Y02, Y03, Y04	POA
	Y05, Y06 (3200 Ser. Only)	POA

OPTIONS:	3200 SERIES	ADD 3250 SERIES
-ASB Aluminum Slotted Bucket (Bkt Models Only)	N/C	N/C
-BS SS Mesh Lined Bkt (Bkt Models Only)	664.00	-
-C Flashing Clamp	342.00	342.00
-DBSE ARC Dome Bottom Strainer	222.00	-
-G All Galvanized Receptor	N/C	N/C
-P Trap Primer Connection	120.00	230.00
-PDBS Polished Alum DBS	35.00	35.00
-U Vandal Proof Screws	62.00	62.00
-12 W/NB Rim and 1/2 Grate	N/C	N/C
-13 W/NB Rim and 3/4 Grate	N/C	N/C
-14 W/NB Rim & Grate w/2 1/2" SQ Hole (7" SQ. Center Hole on 16 1/2" Tops)	111.00	N/C
-21 W/NB Rim & Grate w/4" NB Funnel	270.00	270.00
-22 W/NB Rim & Grate w/6" NB Funnel	404.00	404.00
-25 W/NB Rim & Grate w/8 1/4 x 3 1/4 x 4 1/2 Oval NB Funnel	567.00	567.00
-26 W/NB Rim & Grate w/6 x 2 1/2 x 1 Oval NB Funnel	270.00	270.00
-41 W/NB Rim and Solid Cover	433.00	433.00
-42 W/NB Rim and 1/2 Solid Cover	433.00	433.00
-43 W/NB Rim and 3/4 Solid Cover	433.00	433.00
-44 W/NB Rim & Solid Cvr 2 1/2" Dia Center Hole	588.00	588.00

DEDUCT		
-CI Duco Cast Iron Receptor	230.00	-
-FBS Aluminum Flat Bottom Strainer (Replaces DBS)	13.00	13.00
-10 Less NB Rim & Grate	N/C	N/C
-11 Less Grate, with NB Rim	N/C	N/C
Less Flange (Specify Fig. 3205, 3206)		Contact factory

*Speedi-Seal Gasket Available for use with 2, 3, or 4" Caulk Outlet Bodies as Indicated. Specify Service Weight (SW) or Extra Heavy (XH).



SANITARY DRAINS

SMITH®

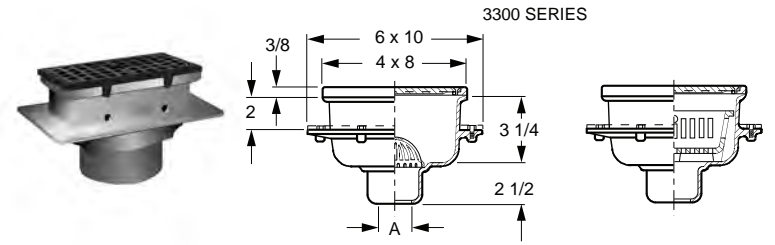
FIG. 3300 SERIES SANI-CEPTOR® ARC FLOOR & INDIRECT WASTE DRAINS, SHALLOW RECEPTOR, RECTANGULAR NB TOP
 FIG. 3320 SERIES SANI-CEPTOR® ARC FLOOR & INDIRECT WASTE DRAINS, DEEP RECEPTOR, RECTANGULAR NB TOP



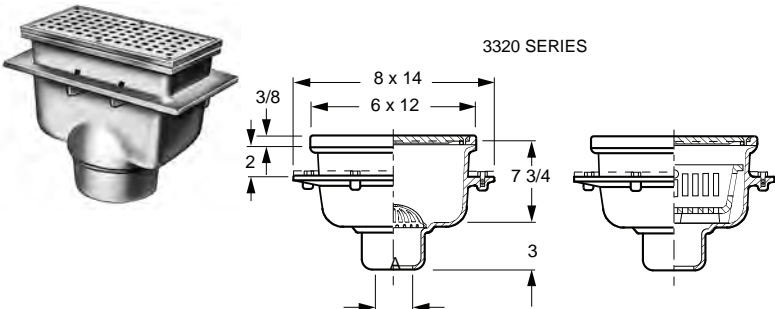
CUSTOMER
DRIVEN
SINCE 1926

FUNCTION: Used in kitchens, hospitals, food markets, restaurants, schools and all types of food handling areas where the ultimate in sanitation is desirable and a small capacity receptor is required. Rectangular top is ideal for use under counters and along walls.

OUTLET VARIATIONS (Specify type of outlet and pipe size in inches.)



WITH DOME BOTTOM STRAINER WITH SEDIMENT BUCKET



WITH DOME BOTTOM STRAINER WITH SEDIMENT BUCKET

Outlet Type	Outlet Designation	ADD
Inside Caulk	C02, C03 (3300 Ser.)	N/C
	C02, C03, C04 (3320 Ser.)	N/C
Speedi-Set Outlet SW	L02 (3300 Ser.)	32.00
Speedi-Set Outlet XH	LXH02 (3300 Ser.)	32.00
Speedi-Seal Gasket*	02, 03 (3300 Ser.)	35.00
	02, 03, 04 (3320 Ser.)	35.00
No-Hub**	Y03 (3300 Ser.)	N/C

OPTIONS:

	3300 SERIES	ADD 3320 SERIES
-C	Flashing Clamp	193.00
-DBSE	ARC Dome Bottom Strainer	222.00
-G	All Galvanized Receptor	N/C
-P	Trap Primer Connection	120.00
-PDBS	Polished Alum DBS	35.00
-U	Vandal Proof Screws	62.00
-12	W/NB Rim and 1/2 Grate	N/C
-14	W/NB Rim and Grate w/ 2 1/2" Center Hole	111.00
-15	W/NB Rim and Alum Recessed Grate	209.00
-21	W/NB Rim & Grate w/4" Dia NB Funnel	270.00
-22	W/NB Rim & Grate w/6" Dia NB Funnel	404.00
-25	W/NB Rim & Grate w/ 8 1/4 x 3 1/4 x 4 1/2 Oval NB Funnel	567.00
-26	W/NB Rim & Grate w/6 x 2 1/2 x 1 Oval NB Funnel	270.00
-31	W/NB Rim and Extra Heavy Grate	268.00
-41	W/NB Rim and Solid Cover	121.00
-42	W/NB Rim and 1/2 Solid Cover	121.00

DEDUCT

-CI	All Duco Cast Iron Receptor	101.00	173.00
-FBS	Alum. Flat Bottom Strnr (Replaces DBS)	13.00	13.00
-10	Less NB Rim & Grate	N/C	N/C
-11	Less Grate, with NB Rim	185.00	207.00
	Less Flange (Specify Fig. 3305, 3306 3325, 3326)		Contact factory

FIG. NO.	A OUTLET SIZE	TOP SIZE	FREE AREA SQ IN	†DOME BOTTOM STRAINER	†SEDIMENT BUCKET	APPROX. WEIGHT LBS
**3300	02", 03"	4 x 8"	6.7	1,440.00	-	17
**3301	02", 03"	4 x 8"	6.7	-	1,576.00	19
**3320	02", 03", 04"	6 x 12"	16.1	1,880.00	-	38
**3321	02", 03", 04"	6 x 12"	16.1	-	2,016.00	38

REGULARLY FURNISHED: Cast Iron Flanged Receptor with Seepage Holes, Acid Resistant Coated Interior, Nickel Bronze Rim and Secured Grate. Dome Bottom Strainer or Sediment Bucket as Indicated by Figure Number.

*Speedi-Seal Gasket Available for use with 2, 3, or 4" Caulk Outlet Bodies as Indicated. Specify Service Weight (SW) or Extra Heavy (XH).

**For Fig. 3300Y02, 3301Y02, 3320 & 3321, when No-Hub outlet is specified, a Caulk Outlet with Gasket will be substituted.

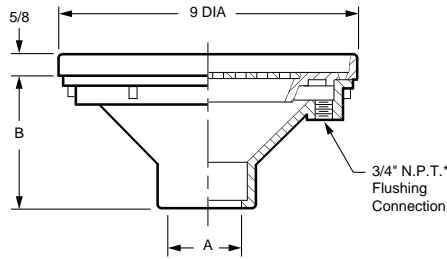


SANITARY DRAINS

FIG. 3365 SANI-CEPTOR® ARC FLOOR & INDIRECT WASTE DRAINS, REFRIGERATOR DRAIN WITH RECESSED GRATE



FUNCTION: Used to receive waste from refrigerators and similar appliances. Purging of the sump by the flushing action prevents contamination.



A SIZE	B	FREE AREA	DUCO CI ARC INT PB Top	†DUCO CI ARC INT NB Top	APPROX. WEIGHT LBS
0150, 02"	4 1/2"	7.20	1,026.00	1,080.00	15
03"	3 1/2"	7.20	1,026.00	1,080.00	15

REGULARLY FURNISHED: Cast Iron Body with Acid Resistant Coated Interior and Nickel Bronze Top.

OUTLET VARIATIONS (Specify type of outlet and pipe size in inches.)

Outlet Type	Outlet Designation	Outlet Type/Pipe Size	ADD
Inside Caulk	C02, C03		NC
Speedi-Seal Gasket*	02		32.00
Threaded	T0150, T02, T03		68.00
No-Hub	Y0150, Y02, Y03		See Fig. 2646Y

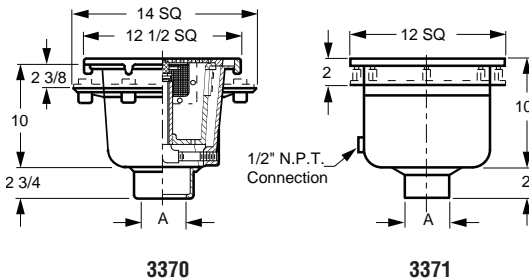
OPTIONS:	DEDUCT
-CI Duco CI Receptor	251.00

For Water Supply Control Boxes, See Fig 3380-3385

*Speedi-Seal Gasket Available for use with 2, 3, or 4" Caulk Outlet Bodies as Indicated. Specify Service Weight (SW) or Extra Heavy (XH).

FIG. 3370 SANI-CEPTOR® CAN WASHING FLOOR DRAINS

FUNCTION: Used in areas where it is desired to wash the interior of garbage and other cans, and prevent the solids from entering the waste line. The exclusive Smith design combines an engineered floor drain with a "single orifice" can washing nozzle. The spray from the nozzle is adjustable from a solid stream to a driving fine mist, providing a means for thoroughly scouring the interior of the can. The ported sediment bucket catches all solids, and provides ample drainage.



OUTLET VARIATIONS (Specify type of outlet and pipe size in inches.)

Outlet Type	Outlet Designation	Outlet Type/Pipe Size	ADD
Inside Caulk	C02, C03, C04		N/C
Speedi-Set SW	L02, L03, L04 (3370 Only)		32.00
Speedi-Set XH	LXH02, LXH03, LXH04 (3370 Only)		32.00
Speedi-Seal Gasket*	03, 04		35.00
Threaded	T02, T03, T04		47.00
No-Hub	Y02, Y03, Y04		N/C

OPTIONS:	ADD
-C Flashing Clamp (3370)	119.00
-C Flashing Clamp (3371)	136.00
-U Vandal Proof (3370)	46.00
-U Vandal Proof (3371)	379.00

FIG. NO.	A OUTLET SIZE	TOP SIZE	FREE AREA SQ IN	ARC INT PB TOP	†ARC INT NB Top	APPROX. WEIGHT LBS
3370	02", 03", 04"	12"	42	3,029.00	3,087.00	30

REGULARLY FURNISHED: 3370: Cast Iron Body with A.R.C. Interior, Nickel Bronze Rim and Grate, Free Standing Aluminum Bucket with Ported Openings Lined with 1/4" Stainless Steel Mesh and Bronze Adjustable Nozzle Assembly.

FIG. NO.	A OUTLET SIZE	TOP SIZE	FREE AREA SQ IN	†STAINLESS STEEL	APPROX. WEIGHT LBS
3371	02", 03", 04"	12 1/2"	21	3,011.00	80

*Speedi-Seal Gasket Available for use with 2, 3, or 4" Caulk Outlet Bodies as Indicated. Specify Service Weight (SW) or Extra Heavy (XH).

REGULARLY FURNISHED: 3371: 14 Gage Stainless Steel Body with No. 4 finish Interior, Stainless Grate, Free Standing Aluminum Bucket with Ported Openings Lined with 1/4" Stainless Steel Mesh and Bronze Adjustable Nozzle Assembly.



SANITARY DRAINS

FIG. 3380 WATER SUPPLY CONTROL BOXES



FUNCTION: With potable water supply protected by the integral atmospheric vacuum breaker used to supply hot, cold or tempered water to can washing drains, flushing rim drains or other devices requiring a water supply. All operating parts are protected from vandalism by means of the hinged door which is provided with a cylinder lock. Both the hot and cold water supplies are provided with integral screw driver stops allowing maintenance of the control valves without shutting down the main water supply. Fig. 3380 is furnished with plaster grounds and is usually flush mounted in plaster walls. Fig. 3385 is surface mounted and is usually used in brick or masonry construction.

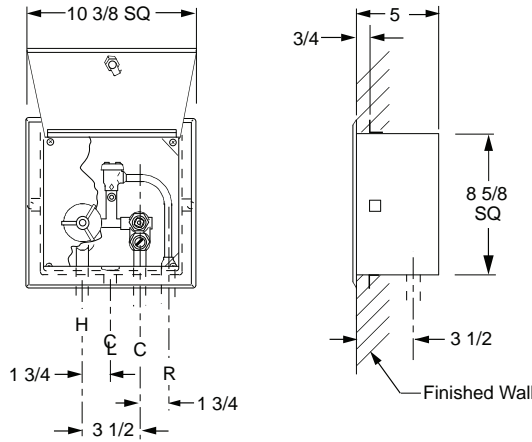


Fig. 3380

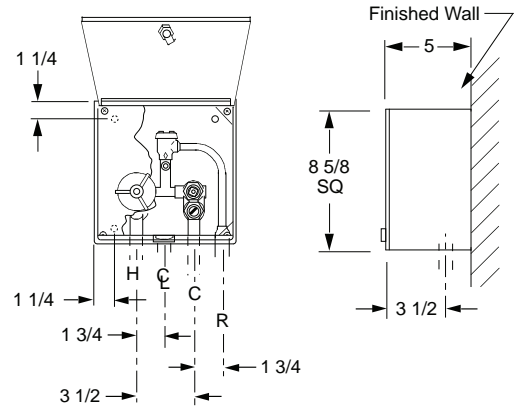


Fig. 3385

FIG. NO.	FACE OF WALL	SURFACE MOUNTED	APPROX. WEIGHT LBS
3380	3,250.00	-	15
3385	-	3,250.00	15

REGULARLY FURNISHED: Box: Type 304 stainless steel with cylinder type key lock and piano hinged cover. All exposed surfaces are polished to a No. 4 satin finish.

Internal Parts: Control valves, screwdriver stops and atmospheric type vacuum breaker are all bronze. Component parts are assembled with type "L" copper tubing and all connections are silver brazed. H & C inlet and remote outlet fittings are 1/2" NPT female. All are provided with integral ears secured to the control box with stainless steel vandal-proof screws, preventing damage during installation.

SANITARY DRAINS

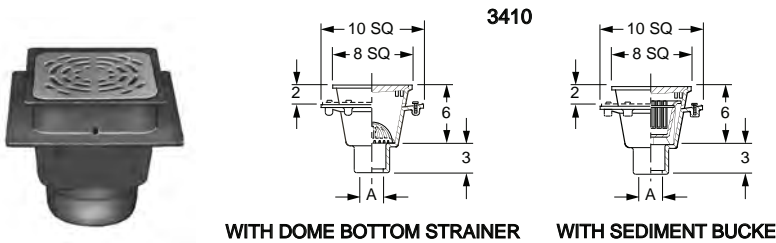
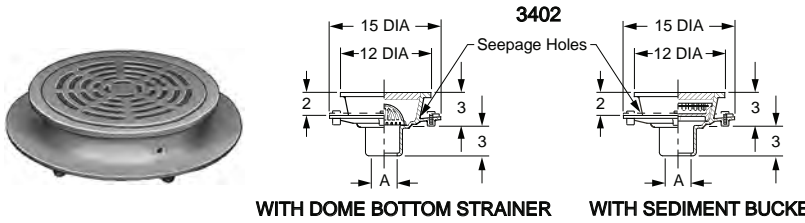
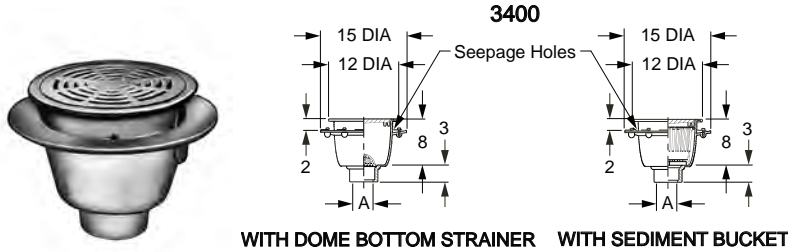


SANITARY DRAINS



FIG. 3400 SERIES SANI-CEPTOR® ARC FLOOR & INDIRECT WASTE DRAINS, DEEP RECEPTOR, ARC ROUND NON-TRAFFIC TOP
FIG. 3402 SERIES SANI-CEPTOR® ARC FLOOR & INDIRECT WASTE DRAINS, SHALLOW RECEPTOR, ARC ROUND NON-TRAFFIC TOP
FIG. 3410 SERIES SANI-CEPTOR® ARC FLOOR & INDIRECT WASTE DRAINS, MEDIUM RECEPTOR, ARC SQUARE NON-TRAFFIC TOP

FUNCTION: Used in kitchens, hospitals, food markets, restaurants, schools and all types of food handling areas not subject to foot or other traffic, where the ultimate in sanitation is desirable and a large capacity receptor is required.



OUTLET VARIATIONS (Specify type of outlet and pipe size in inches.)

Outlet Type	Outlet Designation Type/Pipe Size	ADD
Inside Caulk	C02, C03, C04	N/C
Speedi-Set SW	L02, L03, L04	32.00
Speedi-Set XH	LXH02, LXH03, LXH04	32.00
Speedi-Seal Gasket*	02, 03, 04 (3400/3402 Ser. Only)	35.00
No-Hub**	Y02, Y03, Y04 (3400/3410 Ser. Only)	N/C

OPTIONS:

	3400 SER.	ADD 3410 SER.
-BS SS Mesh Lined Bkt (Bkt Models Only)	334.00	332.00
-C Flashing Clamp	334.00	234.00
-DBSE ARC Dome Bottom Strainer	222.00	N/C
-G All Galvanized Receptor	N/C	N/C
-P Trap Primer Connection	120.00	120.00
-PDBS Polished Alum DBS	35.00	35.00

ARC CAST IRON SERIES

-12 With ARC 1/2 Grate	N/C	N/C
-13 With ARC 3/4 Grate	N/C	N/C
-14 With ARC Grate w/2 1/2" DIA Ctr Hole	111.00	111.00
-15 With Alum Recessed Grate	132.00	132.00
-21 With ARC Grate w/4" Funnel	241.00	241.00
-22 With ARC Grate w/6" Funnel	312.00	312.00
-25 With ARC Grate w/8 1/4 x 3 1/4 x 4 1/2 Oval Funnel	339.00	339.00
-26 With ARC Grate w/6 x 2 1/2 x 1 Oval Funnel	242.00	242.00
-41 With ARC Solid Cover	69.00	68.00
-42 With ARC 1/2 Solid Cover	69.00	68.00
-43 With ARC 3/4 Solid Cover	69.00	68.00
-44 With ARC Solid Grate w/2 1/2" Dia. Center Hole	188.00	195.00

DUCO COATED CAST IRON SERIES

-12 With 1/2 Grate	N/C	N/C
-13 With 3/4 Grate	N/C	N/C
-14 With Grate w/2 1/2" DIA Ctr Hole	107.00	107.00
-15 With Alum Recessed Grate	117.00	-
-21 With Grate w/4" Funnel	107.00	107.00
-22 With Grate w/6" Funnel	173.00	173.00
-25 With Grate w/8 1/4 x 3 1/4 x 4 1/2 Oval Funnel	259.00	259.00
-26 With Grate w/6 x 2 1/2 x 1 Oval Funnel	107.00	107.00
-41 With Solid Cover	69.00	58.00
-42 With 1/2 Solid Cover	69.00	58.00
-43 With 3/4 Solid Cover	69.00	58.00
-44 With Solid Grate w/2 1/2" Dia. Center Hole	174.00	162.00

DEDUCT

-CI Duco Cast Iron Receptor	173.00	101.00
-FBS Alum FBS (Replaces DBS)	13.00	13.00
Less Flange (Specify Fig. 3405, 3406, 3407, 3415, 3416, 3417)		Contact factory

ARC CAST IRON SERIES

-10 Less ARC Grate	N/C	N/C
--------------------	-----	-----

DUCO COATED CAST IRON SERIES

-10 Less Grate	58.00	46.00
----------------	-------	-------

FIG. NO.	A OUTLET SIZE	TOP SIZE	FREE AREA SQ IN	†DOME BOTTOM STRAINER	†SEDIMENT BUCKET	APPROX. WEIGHT LBS
3400	02", 03", 04"	12"	22	2,007.00	-	42
3401	02", 03", 04"	12"	22	-	2,167.00	38
**3402	02", 03", 04"	12"	22	1,475.00	-	23
**3412	02", 03", 04"	12"	22	-	1,723.00	24
FIG. NO.	A OUTLET SIZE	TOP SIZE	FREE AREA SQ IN	†DOME BOTTOM STRAINER	†ABS SEDIMENT BUCKET	APPROX. WEIGHT LBS
3410	02", 03", 04"	8" SQ	11	1,227.00	-	50
3411	02", 03", 04"	8" SQ	11	-	1,367.00	54

REGULARLY FURNISHED: Cast Iron Flanged Receptor with Seepage Holes, Acid Resistant Coated Interior, and Loose Set Acid Resistant Coated Cast Iron Grate. Dome Bottom Strainer or Sediment Bucket as Indicated by Figure Number.

*Speedi-Seal Gasket Available for use with 2, 3, or 4" Caulk Outlet Bodies as Indicated. Specify Service Weight (SW) or Extra Heavy (XH).

**For 3402 & 3412, when No-Hub outlet is specified, a Caulk Outlet with Gasket will be substituted.



SANITARY DRAINS

SMITH®

FIG. 3420-3441 SERIES SANI-CEPTOR® ARC FLOOR & INDIRECT WASTE DRAINS, MEDIUM, DEEP, EXTRA DEEP RECEPTOR, ARC SQUARE NON-TRAFFIC TOP

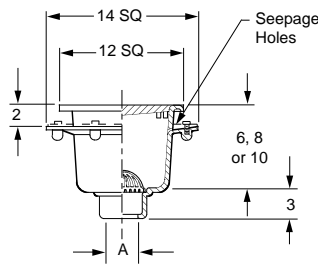


CUSTOMER DRIVEN SINCE 1926

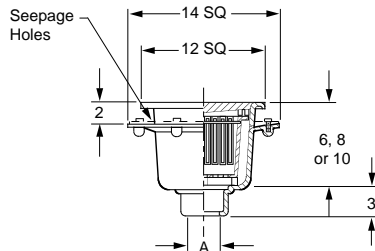
FUNCTION: Used in kitchens, hospitals, food markets, restaurants, schools and all types of food handling areas not subject to foot or other traffic. The deeper receptors are particularly useful for indirect waste applications or for handling a large volume of waste water.



3420 - 3441



WITH DOME BOTTOM STRAINER



WITH SEDIMENT BUCKET

FIG. NO.	A OUTLET SIZE	SUMP DEPTH	TOP SIZE	FREE AREA SQ IN	†DOME BOTTOM STRAINER	†ABS SEDIMENT BUCKET	APPROX. WEIGHT LBS
3420	02", 03", 04"	6	12" SQ	26	1,867.00	-	50
3421	02", 03", 04"	6	12" SQ	26	-	2,075.00	54
3430	02", 03", 04"	8	12" SQ	26	1,824.00	-	54
3431	02", 03", 04"	8	12" SQ	26	-	2,032.00	57
3440	02", 03", 04"	10	12" SQ	26	1,914.00	-	69
3441	02", 03", 04"	10	12" SQ	26	-	2,122.00	73

REGULARLY FURNISHED: Cast Iron Flanged Receptor with Seepage Holes, Acid Resistant Coated Interior, and Loose Set Acid Resistant Coated Cast Iron Grate. Aluminum Dome Bottom Strainer or Plastic ABS Sediment Bucket as Indicated by Figure Number.

OUTLET VARIATIONS (Specify type of outlet and pipe size in inches.)

Outlet Type	Outlet Designation	Outlet Type/Pipe Size	ADD
Inside Caulk	C02, C03, C04		N/C
Speedi-Set SW	L02, L03, L04		32.00
Speedi-Set XH	LXH02, LXH03, LXH04		32.00
Speedi-Seal Gasket*	02, 03, 04		35.00
No-Hub	Y02, Y03, Y04		N/C

OPTIONS:

Option	Description	ADD
-BS	SS Mesh Lined Bucket (Bucket Models Only)	332.00
-C	Flashing Clamp	371.00
-DBSE	ARC Dome Bottom Strainer	193.00
-DID	Drain Installation Device	155.00
-G	All Galvanized Receptor	N/C
-P	Trap Primer Connection	82.00
-PDBS	Polished Alum DBS	35.00

ARC CAST IRON SERIES

-12	With ARC 1/2 Grate	N/C
-13	With ARC 3/4 Grate	N/C
-14	With ARC Grate w/2 1/2" DIA Ctr Hole	111.00
-21	With ARC Grate w/4" Funnel	241.00
-22	With ARC Grate w/6" Funnel	312.00
-25	With ARC Grate w/8 1/4 x 3 1/4 x 4 1/2 Oval Funnel	339.00
-26	With ARC Grate w/6 x 2 1/2 x 1 Oval Funnel	242.00
-41	With ARC Solid Cover	74.00
-42	With ARC 1/2 Solid Cover	76.00
-43	With ARC 3/4 Solid Cover	74.00
-44	With ARC Solid Grate w/2 1/2" Dia. Center Hole	189.00

DUCCO COATED CAST IRON SERIES

-12	With 1/2 Grate	N/C
-13	With 3/4 Grate	N/C
-14	With Grate w/2 1/2" DIA Ctr Hole	107.00
-15	With Alum Recessed Grate	117.00
-21	With Grate w/4" Funnel	107.00
-22	With Grate w/6" Funnel	173.00
-25	With Grate w/8 1/4 x 3 1/4 x 4 1/2 Oval Funnel	259.00
-26	With Grate w/6 x 2 1/2 x 1 Oval Funnel	107.00
-41	With Solid Cover	69.00
-42	With 1/2 Solid Cover	69.00
-43	With 3/4 Solid Cover	69.00
-44	With Solid Grate w/2 1/2" Dia. Center Hole	174.00

DEDUCT

-CI	Duco Cast Iron Receptor	173.00
-FBS	Alum FBS (Replaces DBS)	13.00
	Less Flange (Specify Fig. 3425, 3426, 3435, 3436, 3445, 3446)	Contact factory

ARC CAST IRON SERIES

-10	Less ARC Grate	N/C
-----	----------------	-----

DUCCO COATED CAST IRON SERIES

-10	Less Grate	58.00
-----	------------	-------

SANITARY DRAINS

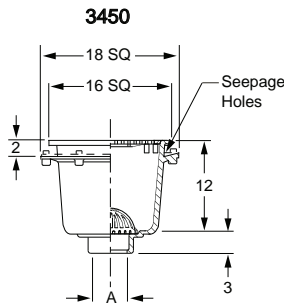
*Speedi-Seal Gasket Available for use with 2, 3, or 4" Caulk Outlet Bodies as Indicated. Specify Service Weight (SW) or Extra Heavy (XH).



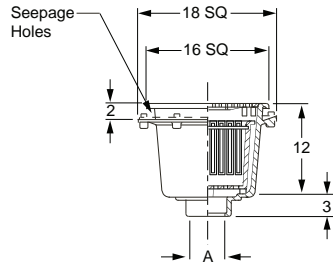
SANITARY DRAINS

FIG. 3450 SERIES SANI-CEPTOR® ARC FLOOR & INDIRECT WASTE DRAINS DEEP RECEPTOR, ARC SQUARE NON-TRAFFIC TOP

FUNCTION: Used in kitchens, hospitals, food markets, restaurants, schools and all types of food handling areas not subject to foot or other traffic, where the ultimate in sanitation is desirable and a large capacity receptor is required.



WITH DOME BOTTOM STRAINER



WITH SEDIMENT BUCKET

FIG. NO.	A OUTLET SIZE	TOP SIZE	FREE AREA SQ IN	†ALUMINUM DOME BOTTOM STRAINER	†ALUMINUM SEDIMENT BUCKET	APPROX. WEIGHT LBS
3450	02", 03", 04"	16" SQ	55	3,927.00	-	73
3450	05", 06", 08"	16" SQ	55	3,927.00	-	73
3451	02", 03", 04"	16" SQ	55	-	4,516.00	75
3451	05", 06", 08"	16" SQ	55	-	4,516.00	75

REGULARLY FURNISHED: Cast Iron Flanged Receptor with Seepage Holes, Acid Resistant Coated Interior, and Loose Set Acid Resistant Coated Cast Iron Grate. Aluminum Dome Bottom Strainer or Sediment Bucket as Indicated by Figure Number

OUTLET VARIATIONS (Specify type of outlet and pipe size in inches.)

Outlet Type	Outlet Designation Outlet Type/Pipe Size	ADD
Inside Caulk	C02, C03, C04	N/C
	C05, C06, C08	N/C
Speedi-Seal Gasket*	03, 04	35.00

OPTIONS:

OPTION	Description	ADD
-BS	Mesh Liner on Bucket (3451 only)	664.00
-C	Flashing Clamp	399.00
-DBSE	ARC Dome Bottom Strainer	222.00
-G	All Galvanized Receptor	N/C
-P	Trap Primer Connection	120.00
-PDBS	Polished Alum Dome Bottom Strainer	35.00

ARC CAST IRON SERIES

-12	With ARC 1/2 Grate	N/C
-13	With ARC 3/4 Grate	N/C
-14	With ARC Grate w/2 1/2" DIA Ctr Hole	111.00
-21	With ARC Grate w/4" ARC Funnel	241.00
-22	With ARC Grate w/6" ARC Funnel	312.00
-25	With ARC Grate w/ 8 1/4 x 3 1/4 x 4 1/2" Oval ARC Funnel	339.00
-26	With ARC Grate w/6 x 2 1/2 x 1" Oval ARC Funnel	243.00
-41	With ARC Solid Cover	110.00
-42	With ARC 1/2 Solid Cover	110.00
-43	With ARC 3/4 Solid Cover	110.00
-44	With ARC Solid Grate w/2 1/2" Dia. Center Hole	230.00

DUCO COATED CAST IRON SERIES

-12	With 1/2 Grate	N/C
-13	With 3/4 Grate	N/C
-14	With Grate w/2 1/2" DIA Ctr Hole	107.00
-21	With Grate w/4" ARC Funnel	107.00
-22	With Grate w/6" ARC Funnel	173.00
-25	With Grate w/ 8 1/4 x 3 1/4 x 4 1/2" Oval Funnel	259.00
-26	With Grate w/6 x 2 1/2 x 1" Oval ARC Funnel	107.00
-41	With Solid Cover	90.00
-42	With 1/2 Solid Cover	90.00
-43	With 3/4 Solid Cover	90.00
-44	With Solid Grate w/2 1/2" Dia. Center Hole	196.00

DEDUCT

-CI	Duco Cast Iron Receptor	230.00
-FBS	Alum Flat Bottom Strainer (Replaces DBS)	13.00
	Less Flange (Specify Fig. 3455, 3456)	Contact factory

ARC CAST IRON SERIES

-10	Less ARC Grate	N/C
-----	----------------	-----

DUCO COATED CAST IRON SERIES

-10	Less Grate	90.00
-----	------------	-------

*Speedi-Seal Gasket Available for use with 2, 3, or 4" Caulk Outlet Bodies as Indicated. Specify Service Weight (SW) or Extra Heavy (XH).



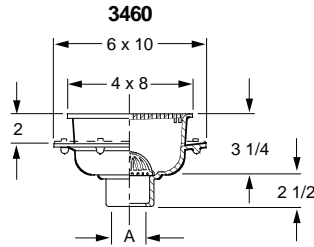
SANITARY DRAINS



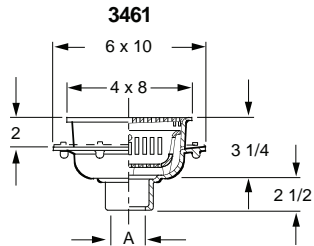
FIG. 3460-3470 SERIES SANI-CEPTOR® ARC FLOOR & INDIRECT WASTE DRAINS, SHALLOW, DEEP RECEPTOR, ARC RECTANGULAR NON-TRAFFIC TOP

FUNCTION: Used in kitchens, hospitals, food markets, restaurants, schools and all types of food handling areas not subject to foot or other traffic where the ultimate in sanitation is desirable and a small or large capacity receptor is required. Rectangular top is ideal for use under counters, and along walls.

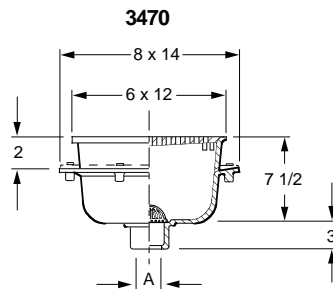
OUTLET VARIATIONS (Specify type of outlet and pipe size in inches.)



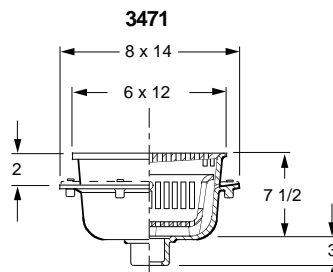
WITH DOME BOTTOM STRAINER



WITH SEDIMENT BUCKET



WITH DOME BOTTOM STRAINER



Outlet Type	Outlet Designation	Outlet Type/Pipe Size	ADD
Inside Caulk	C02, C03, C04		N/C
Speedi-Seal Gasket*	02, 03, 04		35.00
No-Hub**	Y03 (3460 Ser. Only)		N/C

OPTIONS:		3460 SER.	3470 SER.	ADD
-BS	SS Mesh Lined Bkt (Bkt Models Only)	334.00	334.00	
-C	Flashing Clamp	328.00	328.00	
-G	All Galvanized Receptor	N/C	N/C	
-P	Trap Primer Connection	120.00	120.00	
-PDBS	Polished Aluminum DBS	35.00	35.00	
-12	1/2 Grate	N/C	N/C	
-21	With ARC Grate w/4" Funnel	241.00	241.00	
-22	With ARC Grate w/6" Funnel	312.00	312.00	
-25	With ARC Grt w/8 1/4 x 4 1/2" Funnel	339.00	339.00	
-26	With ARC Grate w/6 x 1" Oval Funnel	243.00	243.00	

		DEDUCT	
-CI	Duco Cast Iron Receptor	101.00	173.00
-FBS	Alum FBS (Replaces DBS)	13.00	13.00
-10	Less Grate	N/C	N/C
	Less Flange (Specify Fig. 3465, 3466 3475, 3476)		Contact factory

FIG. NO.	A OUTLET SIZE	TOP SIZE	FREE AREA SQ IN	†ALUMINUM DOME BOTTOM STRAINER	†ALUMINUM SEDIMENT BUCKET	APPROX. WEIGHT LBS
**3460	02", 03"	4 x 8"	6.5	1,326.00	-	17
**3461	02", 03"	4 x 8"	6.5	-	1,462.00	19
**3470	02", 03", 04"	6 x 12"	13.75	1,726.00	-	35
**3471	02", 03", 04"	6 x 12"	13.75	-	1,862.00	38

REGULARLY FURNISHED: Cast Iron Flanged Receptor with Acid Resistant Coated Interior with Loose Set Acid Resistant Coated Grate, Aluminum Dome Bottom Strainer or Aluminum Sediment Bucket as Indicated by Figure Number.

*Speedi-Seal Gasket Available for use with 2, 3, or 4" Caulk Outlet Bodies as Indicated. Specify Service Weight (SW) or Extra Heavy (XH).

**For Fig. 3460Y02, 3461Y02, 3470 & 3471, when No-Hub outlet is specified, a Caulk Outlet with Gasket will be substituted.



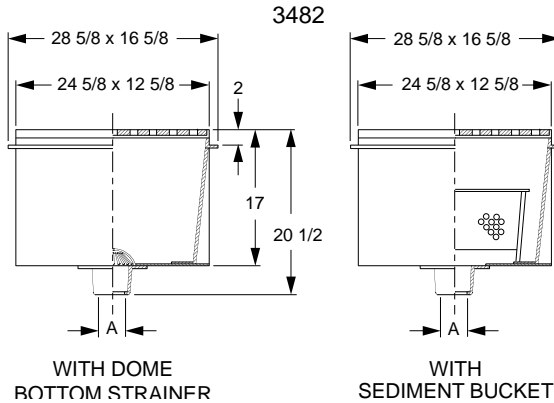
SANITARY DRAINS

FIG. 3482 SERIES SANI-CEPTOR® ARC FLOOR & INDIRECT WASTE DRAINS, EXTRA LARGE DEEP RECEPTOR, ARC RECTANGULAR NON-TRAFFIC TOP



FUNCTION: Used in kitchens, hospitals, food markets, restaurants, schools and all types of food handling areas not subject to foot or other traffic where the ultimate in sanitation is desirable and a large capacity receptor is required. Rectangular top is ideal for use under counters and along walls.

OUTLET VARIATIONS (Specify type of outlet and pipe size in inches.)



Outlet Type	Outlet Designation	Outlet Type/Pipe Size	ADD
Inside Caulk		C02, C03, C04, C05, C06	N/C
No-Hub		Y02, Y03, Y04	N/C

OPTIONS:	ADD
-C Flashing Clamp	342.00
-G All Galvanized Receptor	N/C
-P Trap Primer Connection	230.00
-PDBS Polished Aluminum DBS	35.00
-12 Acid Resistant Coated 1/2 Grate	N/C
-13 Acid Resistant Coated 3/4 Grate	N/C

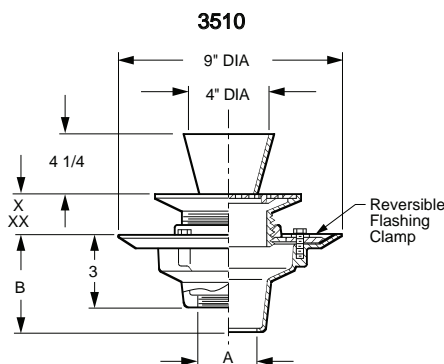
DEDUCT	ADD
-FBS Alum FBS (Replaces DBS)	13.00
-10 Less Grate	571.00

FIG. NO.	A OUTLET SIZE	TOP SIZE	FREE AREA SQ IN	†ALUMINUM DOME BOTTOM STRAINER	†STAINLESS STEEL SEDIMENT BUCKET	APPROX. WEIGHT LBS
3482	02", 03", 04"	24 x12"	125	5,780.00	-	130
3482	05", 06"	24 x12"	125	5,780.00	-	130
3483	02", 03", 04"	24 x12"	125	-	6,923.00	130
3483	05", 06"	24 x12"	125	-	6,923.00	130

REGULARLY FURNISHED: Fabricated Steel Flanged Receptor with Acid Resistant Coated Interior with Loose Set Acid Resistant Coated Grates, Aluminum Dome Bottom Strainer or Stainless Steel Sediment Bucket as Indicated By Figure Number.

FIG. 3510-F11 FUNNEL-CEPTOR® INDIRECT WASTE DRAINS WITH ADJUSTABLE STRAINER HEADS

FUNCTION: Used to receive waste water from indirect waste lines. Exposed grate surrounding funnel serves as drain for surrounding floor area. Adjustable strainer heads permit accurate positioning to meet finished floor level.



OUTLET VARIATIONS (Specify type of outlet and pipe size in inches.)

Outlet Type	Outlet Designation	Outlet Type/Pipe Size	"B" Body HT. DIM.	ADD
Inside Caulk		C02, C03, C04	4"	N/C
Speedi-Set SW		L02, L03, L04	4"	32.00
Speedi-Set XH		LXH02, LXH03, LXH04	4"	32.00
Threaded		T02, T03, T04	3"	47.00
No-Hub		Y02, Y03, Y04	4"	N/C

OPTIONS:	ADD
-B Sediment Bucket	65.00
-BB Bronze Body (2-4")	734.00
5" or 6"	2,255.00
-G Galvanized Body	119.00
-P Trap Primer Conn	N/C
-U Vandal Proof Screws	33.00
3581 6" Dia Funnel, PB or NB	123.00
CP	135.00
3590 6 x 2 1/2 x 1" Funnel	N/C
Funnel Threaded into Grate	164.00

Drain Body Only	Duco CI	Galv CI
02, 03, 04"	117.00	236.00

A OUTLET SIZE	STRAINER SIZE DIA	FREE AREA SQ IN DIA	*X MIN MAX	**XX MIN MAX	PB TOP & FUNNEL	†NB TOP & FUNNEL	CP TOP & FUNNEL	APPROX. WEIGHT LBS.
02, 03, 04"	05"	7	1 1/4" 2 1/4"	3/4" 1 5/8"	501.00	412.00	592.00	13
02, 03, 04"	06"	9	1 1/4" 2 1/4"	3/4" 1 5/8"	544.00	481.00	665.00	14
02, 03, 04"	07"	14	1 1/4" 2 1/4"	7/8" 1 7/8"	613.00	579.00	728.00	15
02, 03, 04"	08"	17	1 1/2" 2 1/2"	1" 1 7/8"	711.00	723.00	842.00	18
02, 03, 04"	09, 10"				891.00	966.00	1,049.00	20

* Collar in high position.
** Collar in low position.

REGULARLY FURNISHED: Duco Cast Iron Body and Flashing Collar with Adjustable Strainer Head with Secured Square Hole Grate and Funnel attached to the grate with concealed screws, permitting funnel to be moved to different positions on the grate. Type of Body and Strainer Head as indicated by Figure Number and Strainer Suffix Letter Selected.

NOTE: For body only pricing see Fig. 2010.

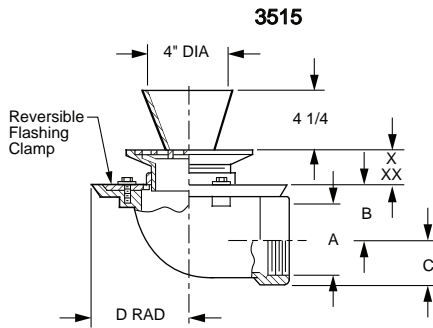


SANITARY DRAINS



FIG. 3515-F11 FUNNEL-CEPTOR® INDIRECT WASTE DRAINS WITH ADJUSTABLE STRAINER HEADS

FUNCTION: Used to receive waste water from indirect waste lines. Exposed grate surrounding funnel serves as drain for surrounding floor area. Adjustable strainer heads permit accurate positioning to meet finished floor level.



OUTLET VARIATIONS (Specify type of outlet and pipe size in inches.)

Outlet Type	Outlet Designation	ADD
Threaded.....	T02, T03, T04	N/C
No-Hub.....	Y02, Y03, Y04	See Fig. 2646Y
OPTIONS:		
-B	Sediment Bucket	65.00
-G	Galvanized Body.....	290.00
-P	Trap Primer Conn.....	15.00
-U	Vandal Proof Screws	28.00
	3581 6" Dia Funnel, PB or NB	123.00
	CP.....	135.00
	3590 6 x 2 1/2 x 1" Funnel	N/C
	Funnel Threaded into Grate	163.00
Drain Body Only		
02, 03".....	Duco CI	Galv CI
	368.00	593.00
04".....	541.00	792.00

A OUTLET SIZE	STRAINER SIZE DIA	FREE AREA SQ IN DIA	B	C	D	*X MIN MAX	**XX MIN MAX	PB TOP & FUNNEL	†NB TOP & FUNNEL	CP TOP & FUNNEL	APPROX. WEIGHT LBS.
02"	05"	7	2 3/4	1 1/4	4 3/4	1 1/4 2 1/4	3/4 1 5/8	730.00	757.00	776.00	18
03"	05"	7	2 3/4	2 1/4	4 3/4	1 1/4 2 1/4	3/4 1 5/8	730.00	757.00	776.00	18
04"	05"	7	3 1/4	3 1/4	6	1 1/4 2 1/4	3/4 1 5/8	925.00	977.00	1,016.00	20
02"	06"	9	2 3/4	1 1/4	4 3/4	1 1/4 2 1/4	3/4 1 5/8	786.00	836.00	855.00	19
03"	06"	9	2 3/4	2 1/4	4 3/4	1 1/4 2 1/4	3/4 1 5/8	786.00	836.00	855.00	19
04"	06"	9	3 1/4	3 1/4	6	1 1/4 2 1/4	3/4 1 5/8	968.00	1,042.00	1,089.00	19
02"	07"	14	2 3/4	1 1/4	4 3/4	1 1/4 2 1/4	7/8 1 7/8	869.00	904.00	923.00	20
03"	07"	14	2 3/4	2 1/4	4 3/4	1 1/4 2 1/4	7/8 1 7/8	869.00	904.00	923.00	20
04"	07"	14	3 1/4	3 1/4	6	1 1/4 2 1/4	7/8 1 7/8	1,038.00	1,092.00	1,152.00	20
02"	08"	17	2 3/4	1 1/4	4 3/4	1 1/2 2 1/2	1 1 7/8	990.00	1,031.00	1,050.00	22
03"	08"	17	2 3/4	2 1/4	4 3/4	1 1/2 2 1/2	1 1 7/8	990.00	1,031.00	1,050.00	22
04"	08"	17	3 1/4	3 1/4	6	1 1/2 2 1/2	1 1 7/8	1,135.00	1,202.00	1,266.00	25

NOTE: For body only pricing see Fig. 2015.

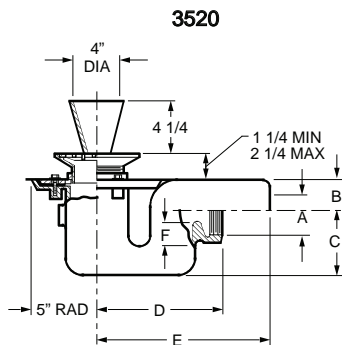
* Collar in high position.
** Collar in low position.

SANITARY DRAINS

REGULARLY FURNISHED: Duco Cast Iron Body and Flashing Collar with Adjustable Strainer Head with Secured Square Hole Grate and Funnel attached to the grate with concealed screws, permitting funnel to be moved to different positions on the grate. Type of Body and Strainer Head as indicated by Figure Number and Strainer Suffix Letter Selected.

FIG. 3520-F11 SERIES FUNNEL-CEPTOR® INDIRECT WASTE DRAINS W/ADJUSTABLE STRAINER HEADS, SHALLOW TRAP

FUNCTION: Used to receive waste water from indirect waste lines. Exposed grate surrounding funnel serves as drain for surrounding floor area. Adjustable strainer heads permit accurate positioning to meet finished floor level.



OUTLET VARIATIONS (Specify type of outlet and pipe size in inches.)

Outlet Type	Outlet Designation	ADD
Spigot (3521).....	S02, S03, S04	N/C
Threaded (3520).....	T02, T03, T04.....	N/C
OPTIONS:		
-B	Sediment Bucket	65.00
-BFV	Ball Float Backwater Valve	568.00
-G	Galvanized Body.....	290.00
-NH	High Aux Inlet.....	136.00
-P	Trap Primer Conn.....	15.00
-U	Vandal Proof Screws	28.00
	3581 6" Dia Funnel, NB or PB	123.00
	CP.....	135.00
	3590 6x2 1/2x1" Funnel.....	N/C
	Funnel Threaded into Grate	163.00
Drain Body Only		
02, 03".....	Duco CI	Galv CI
	368.00	593.00
04".....	541.00	792.00

A OUTLET SIZE	STRAINER SIZE DIA	FREE AREA SQ IN DIA	B	C	D	E	F SEAL	PB TOP & FUNNEL	†NB TOP & FUNNEL	CP TOP & FUNNEL	APPROX. WEIGHT LBS.
02"	05"	7	1 3/4	5	6 3/4	9 1/2	2	730.00	757.00	776.00	21
03"	05"	7	2 1/4	4 1/2	9	12 1/4	2	730.00	757.00	776.00	21
04"	05"	7	3	8 1/2	10	12 3/4	2 1/2	925.00	977.00	1,016.00	22
02"	06"	9	1 3/4	5	6 3/4	9 1/2	2	786.00	836.00	855.00	22
03"	06"	9	2 1/4	4 1/2	9	12 1/4	2	786.00	836.00	855.00	22
04"	06"	9	3	8 1/2	10	12 3/4	2 1/2	968.00	1,042.00	1,089.00	21
02"	07"	14	1 3/4	5	6 3/4	9 1/2	2	869.00	904.00	923.00	31
03"	07"	14	2 1/4	4 1/2	9	12 1/4	2	869.00	904.00	923.00	31
04"	07"	14	3	8 1/2	10	12 3/4	2 1/2	1,038.00	1,097.00	1,152.00	31
02"	08"	17	1 3/4	5	6 3/4	9 1/2	2	990.00	1,031.00	1,050.00	39
03"	08"	17	2 1/4	4 1/2	9	12 1/4	2	990.00	1,031.00	1,050.00	39
04"	08"	17	3	8 1/2	10	12 3/4	2 1/2	1,135.00	1,202.00	1,266.00	40

REGULARLY FURNISHED: Duco Cast Iron Body and Flashing Collar with Adjustable Strainer Head with Secured Square Hole Grate and Funnel attached to the grate with concealed screws, permitting funnel to be moved to different positions on the grate. Type of Body and Strainer Head as indicated by Figure Number and Strainer Suffix Letter Selected.

NOTE: For body only pricing see Fig. 2020, 2021.

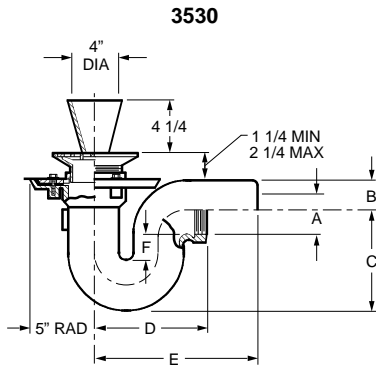


SANITARY DRAINS

FIG. 3530-F11 SERIES FUNNEL-CEPTOR® INDIRECT WASTE DRAINS WITH ADJUSTABLE STRAINER HEADS



FUNCTION: Used to receive waste water from indirect waste lines. Exposed grate surrounding funnel serves as drain for surrounding floor area. Adjustable strainer heads permit accurate positioning to meet finished floor level.



OUTLET VARIATIONS (Specify type of outlet and pipe size in inches.)

Outlet Type	Outlet Designation Outlet Type/Pipe Size	ADD
Spigot (3531)	S02, S03, S04	N/C
Threaded (3530)	T02, T03, T04	N/C

OPTIONS:

-B	Sediment Bucket	65.00
-BFV	Ball Float Backwater Valve	568.00
-G	Galvanized Body	290.00
-P	Trap Primer Conn	15.00
-NH	High Aux Inlet	136.00
-U	Vandal Proof Screws	28.00
	3581 6" Dia Funnel, PB or NB	123.00
	CP	135.00
	3590 6x2 1/2x1" Funnel	N/C
	Funnel Threaded into Grate	163.00

Drain Body Only	Duco CI	Galv CI
02, 03"	653.00	845.00
04"	916.00	1,108.00

A OUTLET SIZE	STRAINER SIZE DIA	FREE AREA SQ IN DIA	B	C	D	E	F SEAL	PB TOP & FUNNEL	†NB TOP & FUNNEL	CP TOP & FUNNEL	APPROX. WEIGHT LBS.
02"	05"	7	1 3/4	5 1/4	5	8	2	946.00	954.00	973.00	25
03"	05"	7	2	7	8	10	2 1/4	946.00	954.00	973.00	25
04"	05"	7	3	8	10	12 3/4	2 1/2	1,210.00	1,218.00	1,237.00	26
02"	06"	9	1 3/4	5 1/4	5	8	2	1,015.00	1,023.00	1,044.00	26
03"	06"	9	2	7	8	10	2 1/4	1,015.00	1,023.00	1,044.00	26
04"	06"	9	3	8	10	12 3/4	2 1/2	1,278.00	1,286.00	1,305.00	24
02"	07"	14	1 3/4	5 1/4	5	8	2	1,113.00	1,121.00	1,140.00	28
03"	07"	14	2	7	8	10	2 1/4	1,113.00	1,121.00	1,140.00	28
04"	07"	14	3	8	10	12 3/4	2 1/2	1,374.00	1,382.00	1,401.00	28
02"	08"	17	1 3/4	5 1/4	5	8	2	1,213.00	1,221.00	1,240.00	35
03"	08"	17	2	7	8	10	2 1/4	1,213.00	1,221.00	1,240.00	35
04"	08"	17	3	8	10	12 3/4	2 1/2	1,518.00	1,526.00	1,545.00	39

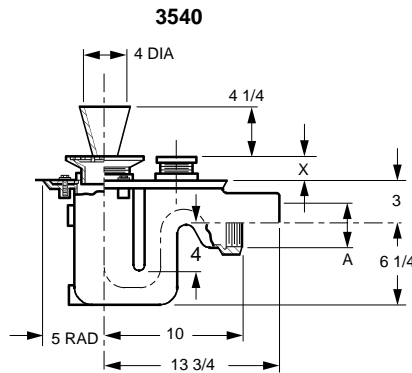
REGULARLY FURNISHED:

Duco Cast Iron Body and Flashing Collar with Adjustable Strainer Head with Secured Square Hole Grate and Funnel attached to the grate with concealed screws, permitting funnel to be moved to different positions on the grate. Type of Body and Strainer Head as indicated by Figure Number and Strainer Suffix Letter Selected.

NOTE: For body only pricing see Fig. 2030.

FIG. 3540-F11 SERIES FUNNEL-CEPTOR® INDIRECT WASTE DRAINS WITH ADJUSTABLE STRAINER HEADS

FUNCTION: Used to receive waste water from indirect waste lines. Exposed grate surrounding funnel serves as drain for surrounding floor area. Adjustable strainer heads permit accurate positioning to meet finished floor level.



OUTLET VARIATIONS (Specify type of outlet and pipe size in inches.)

Outlet Type	Outlet Designation Outlet Type/Pipe Size	ADD
Spigot (3541)	S02, S03, S04	N/C
Threaded (3540)	T02, T03, T04	N/C

OPTIONS:

-B	Sediment Bucket	65.00
-G	Galvanized Body	290.00
-NH	High Aux Inlet	136.00
-NL	Low Auxiliary Inlet	136.00
-P	Trap Primer Conn	15.00
-U	Vandal Proof Screws	28.00
	Funnel Threaded into Grate	123.00
	3581 6" Dia Funnel, PB or NB	135.00
	CP	N/C
	3590 6x2 1/2x1" Funnel	163.00

Drain Body Only	Duco CI	Galv CI
02, 03, 04"	1,933.00	2,223.00

A OUTLET SIZE	STRAINER SIZE DIA	FREE AREA SQ IN DIA	X MIN	X MAX	PB TOP & FUNNEL	†NB TOP & FUNNEL	CP TOP & FUNNEL	APPROX. WEIGHT LBS.
02, 03, 04"	05"	7	1 1/4	2 1/4	2,227.00	2,235.00	2,254.00	37
02, 03, 04"	06"	7	1 1/4	2 1/4	2,294.00	2,302.00	2,321.00	39
02, 03, 04"	07"	7	1 1/4	2 1/4	2,392.00	2,400.00	2,419.00	41
02, 03, 04"	08"	9	1 1/2	2 1/2	2,538.00	2,546.00	2,565.00	43

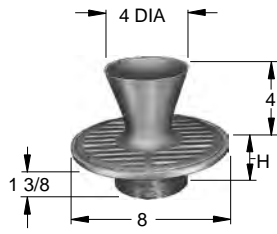
NOTE: For body only pricing see Fig. 2040.

REGULARLY FURNISHED: Duco Cast Iron Body and Flashing Collar with Adjustable Strainer Head with Secured Square Hole Grate and Funnel attached to the grate with concealed screws, permitting funnel to be moved to different positions on the grate. Type of Body and Strainer Head as indicated by Figure Number and Strainer Suffix Letter Selected.



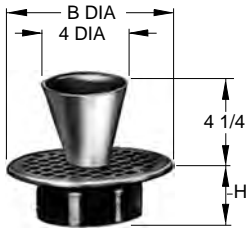
SANITARY DRAINS

OPTIONAL ADJUSTABLE STRAINER HEADS



Suffix -F10

SUFFIX NUMBER	TOP SIZE	H	PB TOP	†NB TOP	CP TOP	APPROX. WEIGHT LBS
-F10	08"	2 3/8	641.00	730.00	804.00	8

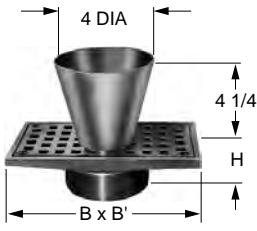


Suffix -F11

SUFFIX NUMBER	TOP SIZE B DIA or SQ	H	PB TOP	†NB TOP	CP TOP	APPROX. WEIGHT LBS
-F11	5"	2	384.00	436.00	477.00	5
-F11	6"	2	427.00	501.00	548.00	6
-F11	7"	2 1/4	497.00	556.00	609.00	7
-F11	8"	2 1/2	597.00	661.00	725.00	8
-F11	9"	2 1/2	774.00	849.00	933.00	11
-F11	10"	2 3/4	774.00	849.00	933.00	13
-F12	5" x 5"	2	462.00	532.00	582.00	5
-F12	6" x 6"	2	519.00	578.00	637.00	6
-F12	7" x 7"	2 1/4	594.00	664.00	728.00	7
-F12	8" x 8"	2 1/2	678.00	776.00	847.00	9
-F12	9" x 9"	2 1/2	837.00	944.00	1,034.00	11
-F12	10" x 10"	2 3/4	1,042.00	1,150.00	1,263.00	13

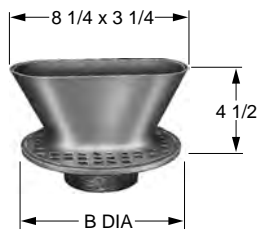


Suffix -F12



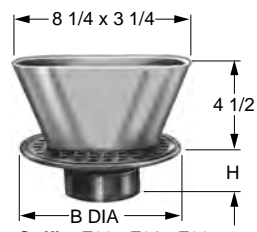
Suffix -F13, -F14, -F15, -F16
-F17 & -F18

SUFFIX NUMBER	TOP SIZE B x B'	H	PB TOP	†NB TOP	CP TOP	APPROX. WEIGHT LBS
-F13	4 1/4" x 8"	2 1/4	699.00	784.00	860.00	6
-F14	4" x 12"	2 1/2	781.00	915.00	1,004.00	11
-F15	5" x 9"	2 1/4	699.00	784.00	860.00	7
-F16	5" x 13"	3	894.00	1,013.00	1,111.00	11
-F17	5" x 17"	3	952.00	1,069.00	1,176.00	16
-F18	6" x 10"	2 1/4	952.00	1,013.00	1,111.00	11



Suffix -F19

SUFFIX NUMBER	TOP SIZE B DIA	H	PB TOP	†NB TOP	CP TOP	APPROX. WEIGHT LBS
-F19	8"	2 1/2	918.00	1020.00	1121.00	8
-F20	6"	2	702.00	777.00	852.00	9
-F21	7"	2 1/4	772.00	833.00	915.00	10
-F22	8"	2 1/2	871.00	936.00	1,030.00	11
-F23	9"	2 1/2	1,048.00	1,124.00	1,235.00	14
-F24	10"	2 3/4	1,048.00	1,124.00	1,235.00	16



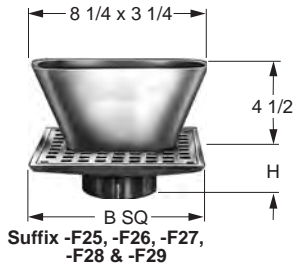
Suffix -F20, -F21, -F22,
-F23 & -F24

SANITARY DRAINS

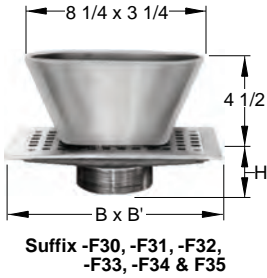


SANITARY DRAINS

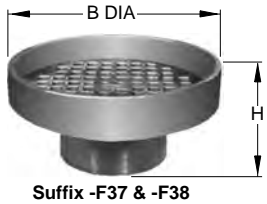
OPTIONAL ADJUSTABLE STRAINER HEADS



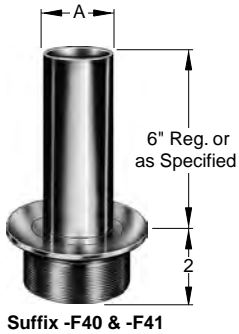
SUFFIX NUMBER	TOP SIZE B SQ	H	PB TOP	†NB TOP	CP TOP	APPROX. WEIGHT LBS
-F25	6" x 6"	2	792.00	853.00	939.00	9
-F26	7" x 7"	2 1/4	870.00	941.00	1,035.00	10
-F27	8" x 8"	2 1/2	952.00	1,051.00	1,150.00	12
-F28	9" x 9"	2 1/2	1,112.00	1,220.00	1,220.00	14
-F29	10" x 10"	2 3/4	1,318.00	1,427.00	1,427.00	17



SUFFIX NUMBER	TOP SIZE B x B'	H	PB TOP	†NB TOP	CP TOP	APPROX. WEIGHT LBS
-F30	4 1/4" x 8"	2 1/2	973.00	1,059.00	1,161.00	9
-F31	4" x 12"	2 1/2	1,056.00	1,191.00	1,308.00	14
-F32	5" x 9"	2 1/4	973.00	1,059.00	1,161.00	9
-F33	5" x 13"	3	1,169.00	1,251.00	1,415.00	14
-F34	6" x 10"	2 1/4	1,169.00	1,289.00	1,413.00	14
-F35	5" x 17"	3	1,225.00	1,344.00	1,477.00	19



SUFFIX NUMBER	TOP SIZE B DIA	H	DUCO CI	PB TOP	†NB TOP	CP TOP	APPROX. WEIGHT LBS
-F37	7"	3 1/4	209.00	504.00	562.00	618.00	10
-F38	9"	3 1/2	286.00	756.00	835.00	916.00	13



SUFFIX NUMBER	A SIZE	STANDPIPE HEIGHT	PB TOP	†NB TOP	CP TOP	APPROX. WEIGHT LBS
-F40	2"	6"	655.00	845.00	956.00	10
For ea additional 1" Height			58.00	82.00	87.00	
-F41	3"	6"	1,029.00	1,143.00	1,277.00	13
For ea additional 1" Height			102.00	117.00	124.00	

FIG. 3580, 3581, 3590, 3591 FUNNEL ASSEMBLIES ONLY

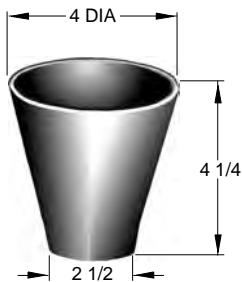
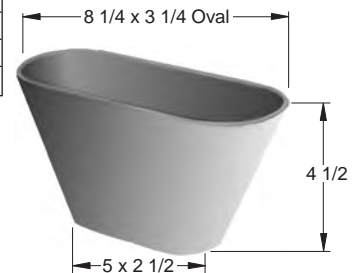
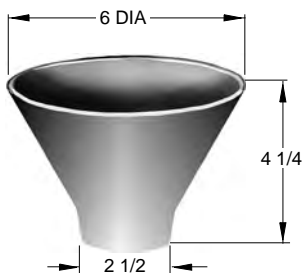


FIG. NO.	DESCRIPTION	†CI	GALV	ARC CI	RB	PB	NB	CP
3580	4" x 4 1/2"	82.00	153.00	231.00	183.00	221.00	170.00	284.00
3581	6" x 4 1/4"	82.00	153.00	296.00	305.00	343.00	170.00	419.00
3590	6" x 2 1/2" x 1"	107.00	141.00	231.00	182.00	221.00	259.00	282.00
3591	8 1/4" x 3 1/4" x 4 1/2"	111.00	182.00	384.00	419.00	496.00	232.00	586.00



OPTIONS:
Male Threaded Funnel (Fig. 3580)..... **ADD 59.00**

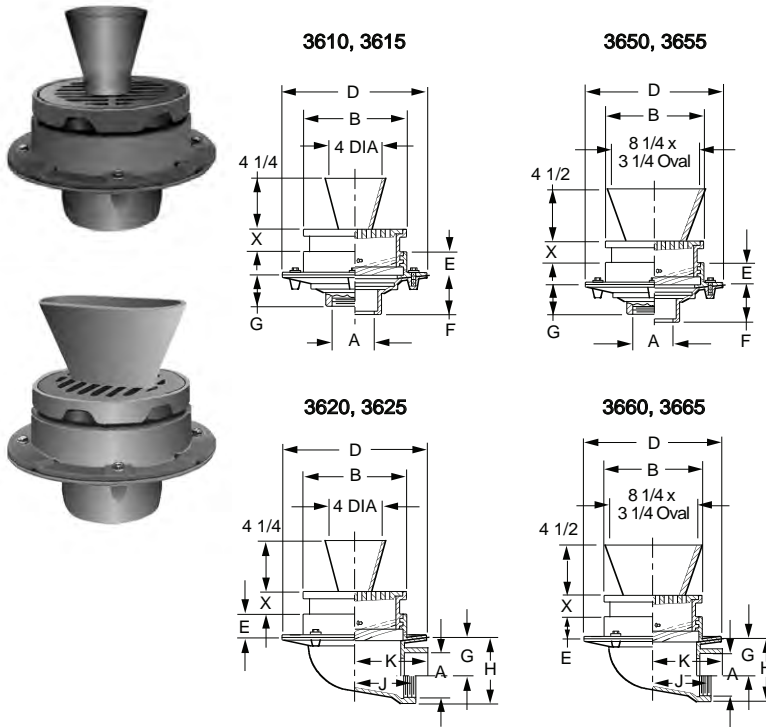


SANITARY DRAINS



FIG. 3610, 3615, 3650, 3655 FUNNEL-CEPTOR® INDIRECT WASTE DRAINS, BOTTOM OUTLET, ADJ. ROUND TOP AND ROUND FUNNEL
FIG. 3620, 3625, 3660, 3665 FUNNEL-CEPTOR® INDIRECT WASTE DRAINS, SIDE OUTLET, ADJ. ROUND TOP AND OVAL FUNNEL

FUNCTION: Used to receive the drip, condensate or waste water from indirect waste lines. The funnel prevents splashing and directs the waste into the drain. The exposed portion of grate serves as drain for any other waste on the floor. The funnel is attached to the grate by means of concealed screws and it may be moved to any grate location desired. Round or oval funnel is recommended for single pipe use only. Adjustable top permits accurate positioning of the grate, as necessary, to meet the finished floor level.



OUTLET VARIATIONS (Specify type of outlet and pipe size in inches.)

Outlet Type	Outlet Designation	ADD
Speedi-Set SW	L02, L03, L04 Bottom Outlet Drains	32.00
Speedi-Set XH	LXH02, LXH03, LXH04	
Threaded	Bottom Outlet Drains	32.00
	Bottom Outlet Drains	47.00
	For Side Outlet Drains	N/C
No-Hub	Y02, Y03, Y04	
	Bottom Outlet Drains	N/C
	8 1/2" Side Outlet Drains	See Fig. 2646Y
	Y02, Y03, Y04	
	12" Side Outlet Drains	N/C
	Y05, Y06	
	12" Side Outlet Drains	See Fig. 2646Y

Δ 6" Outlets only available w/12" Tops.

OPTIONS:	ADD	
-B Sediment Bucket for 8 1/2" Drains	84.00	
	for 12" Drains	156.00
-P Trap Primer Connection	99.00	
-SG Secured Grate	89.00	
-U Vandal Proof Screws	89.00	

FIG. NO.	A OUTLET SIZE	B DIA TOP SIZE	D DIA	E	F	G THD	*X MIN MAX	FREE AREA SQ IN	DUCO †CI TOP	PB TOP	NB TOP	CP TOP	APPROX. WEIGHT LBS.
3610	02", 03", 04"	8 1/2	11 1/2	2	3 3/4	2	1 1/4 2 3/4	14.25	540.00	923.00	984.00	1,118.00	33
3615	02", 03", 04"	12	15 1/4	2 1/2	5	3 3/4	1 5/8 2 7/8	28.5	1,139.00	1,648.00	1,750.00	1,769.00	58
3615	05", 06"Δ	12	15 1/4	2 1/2	5	3 3/4	1 5/8 2 7/8	28.5	1,139.00	1,648.00	1,750.00	1,769.00	58
3650	02", 03", 04"	8 1/2	11 1/2	2	3 3/4	2	1 1/4 2 3/4	14.25	692.00	1,196.00	1,297.00	1,419.00	33
3655	02", 03", 04"	12	15 1/4	2 1/2	5	3 3/4	1 5/8 2 7/8	28.5	1,293.00	1,924.00	2,027.00	2,073.00	58
3655	05", 06"Δ	12	15 1/4	2 1/2	5	3 3/4	1 5/8 2 7/8	28.5	1,293.00	1,924.00	2,027.00	2,073.00	58

*Add 1/4" when bronze top is specified.

Δ 6" Outlets only available w/12" Tops.

FIG. NO.	A OUTLET SIZE	B DIA TOP SIZE	D DIA	E	G	H	J	K	X MIN MAX	FREE AREA SQ IN	DUCO †CI TOP	PB TOP	NB TOP	CP TOP	APPROX. WEIGHT LBS.
3620	02"	8 1/2	12	2	4 1/4	6	4	5 1/2	1 1/4 2 3/4	14.25	801.00	1,184.00	1,284.00	1,404.00	33
3620	03"	8 1/2	12	2	3 3/4	6	4	5 1/2	1 1/4 2 3/4	14.25	801.00	1,184.00	1,284.00	1,404.00	33
3620	04"	8 1/2	12	2	3 1/4	6	4	5 1/2	1 1/4 2 3/4	14.25	801.00	1,184.00	1,284.00	1,404.00	33
3625	02"	12	15 1/4	2 1/2	6 1/2	9	6	6 3/4	1 5/8 2 7/8	28.5	1,265.00	1,774.00	1,876.00	2,018.00	58
3625	03"	12	15 1/4	2 1/2	6	9	6	6 3/4	1 5/8 2 7/8	28.5	1,265.00	1,774.00	1,876.00	2,018.00	58
3625	04"	12	15 1/4	2 1/2	5 1/2	9	6	6 3/4	1 5/8 2 7/8	28.5	1,265.00	1,774.00	1,876.00	2,018.00	58
3625	05"	12	15 3/4	2 1/2	5	9	6 3/4	7 3/4	1 5/8 2 7/8	28.5	1,265.00	1,774.00	1,876.00	2,018.00	58
3625	06"	12	15 3/4	2 1/2	4	9	6 3/4	7 3/4	1 5/8 2 7/8	28.5	1,265.00	1,774.00	1,876.00	2,018.00	58
3660	02"	8 1/2	12	2	4 1/2	6	4	5 1/2	1 1/4 2 3/4	14.25	956.00	1,460.00	1,561.00	1,709.00	33
3660	03"	8 1/2	12	2	3 3/4	6	4	5 1/2	1 1/4 2 3/4	14.25	956.00	1,460.00	1,561.00	1,709.00	33
3660	04"	8 1/2	12	2	3 1/4	6	4	5 1/2	1 1/4 2 3/4	14.25	956.00	1,460.00	1,561.00	1,709.00	33
3665	02"	12	15 1/4	2 1/2	6 7/8	9	6	6 3/4	1 5/8 2 7/8	28.5	1,417.00	2,048.00	2,151.00	2,323.00	58
3665	03"	12	15 1/4	2 1/2	6 3/8	9	6	6 3/4	1 5/8 2 7/8	28.5	1,417.00	2,048.00	2,151.00	2,323.00	58
3665	04"	12	15 1/4	2 1/2	5 7/8	9	6	6 3/4	1 5/8 2 7/8	28.5	1,417.00	2,048.00	2,151.00	2,323.00	58
3665	05"	12	15 3/4	2 1/2	5	9	6 3/4	7 3/4	1 5/8 2 7/8	28.5	1,417.00	2,048.00	2,151.00	2,323.00	58
3665	06"	12	15 3/4	2 1/2	4 1/2	9	6 3/4	7 3/4	1 5/8 2 7/8	28.5	1,417.00	2,048.00	2,151.00	2,323.00	58

REGULARLY FURNISHED: Duco Cast Iron Flanged Receptor and Flashing Collar with Adjustable Top, Bar Grate and Funnel.



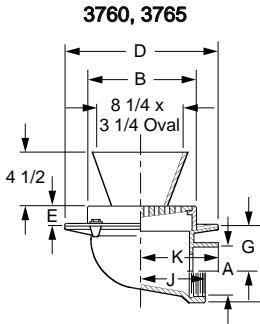
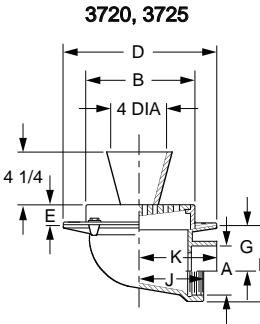
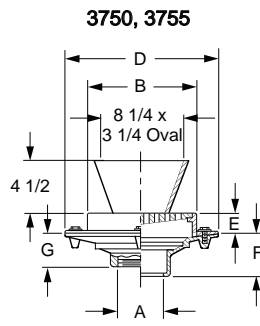
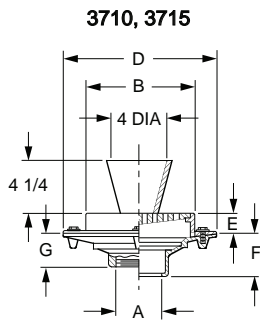
SANITARY DRAINS

SMITH®

FIG. 3710, 3715 3750, 3755 FUNNEL-CEPTOR® INDIRECT WASTE DRAINS, BOTTOM OUTLET, ROUND TOP AND ROUND FUNNEL
 FIG. 3720, 3725 3760, 3765 FUNNEL-CEPTOR® INDIRECT WASTE DRAINS, SIDE OUTLET, ROUND TOP AND OVAL FUNNEL



FUNCTION: Used to receive the drip, condensate or waste water from indirect waste lines. The funnel prevents splashing and directs the waste into the drain. The exposed portion of grate serves as drain for any other waste on the floor. The funnel is attached to the grate by means of concealed screws and it may be moved to any grate location desired. Round or oval funnel is recommended for single pipe use only. Adjustable top permits accurate positioning of the grate, as necessary, to meet the finished floor level.



OUTLET VARIATIONS (Specify type of outlet and pipe size in inches.)

Outlet Type	Outlet Designation	Outlet Type/Pipe Size	ADD
Speedi-Set SW	L02, L03, L04	Bottom Outlet Drains	32.00
Speedi-Set XH	LXH02, LXH03, LXH04	Bottom Outlet Drains	32.00
Threaded	T02, T03, T04, T05, T06	Bottom Outlet Drains	47.00
No-Hub	Y02, Y03, Y04	Bottom Outlet Drains	N/C
		8 1/2" Side Outlet Drains	See Fig. 2646Y
		Y02, Y03, Y04	N/C
		12" Side Outlet Drains	N/C
		Y05, Y06	N/C
		12" Side Outlet Drains	See Fig. 2646Y

Δ 6" Outlets only available w/12" Tops.

OPTIONS:	ADD
-B Sediment Bucket for 8 1/2" Drains	84.00
for 12" Drains	112.00
-P Trap Primer Connection	99.00
-SG Secured Grate	89.00
-U Vandal Proof Screws	89.00

FIG. NO.	A OUTLET SIZE	B DIA TOP SIZE	D DIA	E	F	G THD	FREE AREA SQ IN	DUCCO †CI TOP	PB TOP	NB TOP	CP TOP	APPROX. WEIGHT LBS.
3710	02", 03", 04"	8 1/2	11 1/2	2	3 3/4	2	14.25	415.00	798.00	898.00	983.00	33
3715	02", 03", 04"	12	15 1/4	2 1/2	5	3 3/4	28.5	742.00	1,251.00	1,353.00	1,486.00	58
3715	05", 06"Δ	12	15 1/4	2 1/2	5	3 3/4	28.5	742.00	1,251.00	1,353.00	1,486.00	58
3750	02", 03", 04"	8 1/2	11 1/2	2	3 3/4	2	14.25	568.00	1,072.00	1,173.00	1,285.00	33
3755	02", 03", 04"	12	15 1/4	2 1/2	5	3 3/4	28.5	895.00	1,526.00	1,629.00	1,790.00	58
3755	05", 06"Δ	12	15 1/4	2 1/2	5	3 3/4	28.5	895.00	1,526.00	1,629.00	1,790.00	58

*Add 1/4" when bronze top is specified.

Δ 6" Outlets only available w/12" Tops.

FIG. NO.	A OUTLET SIZE	B DIA TOP SIZE	D DIA	E	G	H	J	K	FREE AREA SQ IN	DUCCO †CI TOP	PB TOP	NB TOP	CP TOP	APPROX. WEIGHT LBS.
3720	02"	8 1/2	12	2	4 1/4	6	4	5 1/2	14.25	678.00	1,061.00	1,161.00	1,272.00	33
3720	03"	8 1/2	12	2	3 3/4	6	4	5 1/2	14.25	678.00	1,061.00	1,161.00	1,272.00	33
3720	04"	8 1/2	12	2	3 1/4	6	4	5 1/2	14.25	678.00	1,061.00	1,161.00	1,272.00	33
3725	02"	12	15 1/4	2 1/2	6 7/8	9	6	6 3/4	28.5	1,142.00	1,651.00	1,690.00	1,817.00	58
3725	03"	12	15 1/4	2 1/2	6 3/8	9	6	6 3/4	28.5	1,142.00	1,651.00	1,690.00	1,817.00	58
3725	04"	12	15 1/4	2 1/2	5 7/8	9	6	6 3/4	28.5	1,142.00	1,651.00	1,690.00	1,817.00	58
3725	05"	12	15 3/4	2 1/2	5	9	6 3/4	7 3/4	28.5	1,142.00	1,651.00	1,690.00	1,817.00	58
3725	06"	12	15 3/4	2 1/2	4	9	6 3/4	7 3/4	28.5	1,142.00	1,651.00	1,690.00	1,817.00	58
3760	02"	8 1/2	12	2	4 1/4	6	4	5 1/2	14.25	828.00	1,332.00	1,433.00	1,575.00	33
3760	03"	8 1/2	12	2	3 3/4	6	4	5 1/2	14.25	828.00	1,332.00	1,433.00	1,575.00	33
3760	04"	8 1/2	12	2	3 1/4	6	4	5 1/2	14.25	828.00	1,332.00	1,433.00	1,575.00	33
3765	02"	12	15 1/4	2 1/2	6 7/8	9	6	6 3/4	28.5	1,295.00	1,926.00	2,029.00	2,120.00	58
3765	03"	12	15 1/4	2 1/2	6 3/8	9	6	6 3/4	28.5	1,295.00	1,926.00	2,029.00	2,120.00	58
3765	04"	12	15 1/4	2 1/2	5 7/8	9	6	6 3/4	28.5	1,295.00	1,926.00	2,029.00	2,120.00	58
3765	05"	12	15 3/4	2 1/2	5	9	6 3/4	7 3/4	28.5	1,295.00	1,926.00	2,029.00	2,120.00	58
3765	06"	12	15 3/4	2 1/2	4 1/2	9	6 3/4	7 3/4	28.5	1,295.00	1,926.00	2,029.00	2,120.00	58

REGULARLY FURNISHED: Duco Cast Iron Flanged Receptor, Bar Grate and Funnel.



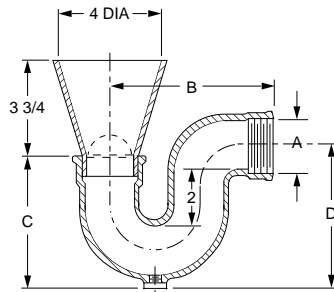
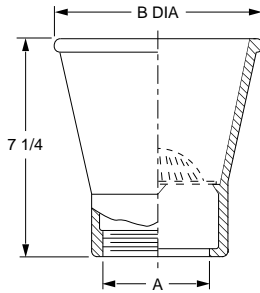
SANITARY DRAINS

FIG. 3811 SERIES, 3821 SERIES DRIP AND CONDENSATE FUNNELS



FUNCTION: Ideal for hospitals and industrial laboratories where indirect waste lines above the floor require receptors to receive drip, condensate or waste water. Use of "P" trap recommended for preventing sewer gases from entering room.

OUTLET VARIATIONS (Specify type of outlet and pipe size in inches.)



Outlet Type	Outlet Designation	Outlet Type/Pipe Size	ADD
Speedi-Set SW	L02, L03, L04		28.00
Speedi-Set XH	LXH02, LXH03, LXH04		28.00
Threaded	T02, T03, T04, T05, T06		
	(3811 thru 3814 only)		68.00
No-Hub	Y02, Y03, Y04, Y05, Y06		See Fig. 2646Y

OPTIONS:	ADD
-DBS Aluminum Dome Bottom Strainer	71.00
-DBS ARC CI DBS Figs 3811 or 3821	67.00
-DBS Duco CI DBS Figs 3812 or 3822	53.00
-DBS Cast Bronze DBS Figs 3813 or 3823	69.00
-DBS Chrome Plated DBS Figs 3814 or 3824	128.00
-FC Front Cleanout (Trap Series Only)	N/C
-NB 4" Dia NB Funnel w/Bronze Trap (Add to 3823)	73.00
-NB6 6" Dia NB Funnel w/Bronze Trap (Add to 3823)	209.00

FUNNEL ONLY - REGULARLY FURNISHED CAULK OUTLET					
FIG. NO	DESCRIPTION	A PIPE SIZE			
		02"	03"	04"	06"
3811	Cast Iron with ARC Interior & Exterior	373.00	442.00	848.00	949.00
3812	Duco Cast Iron	137.00	206.00	612.00	713.00
3813	Cast Bronze	379.00	564.00	1,678.00	1,959.00
3814	Polished Chrome Plated Cast Bronze	629.00	659.00	1,295.00	1,800.00
B DIA		6	7	8	10
APPROX WT. LBS.		6	8	10	10

FUNNEL WITH TRAP - THREADED OUTLET ONLY					
FIG. NO	DESCRIPTION	A PIPE SIZE			ADD FOR 6" DIA FUNNEL
		0150"	02"	03"	
3821	Cast Iron with ARC Interior & Exterior	421.00	643.00	716.00	71.00
3822	Duco Cast Iron	268.00	472.00	545.00	71.00
3823	Cast Bronze	791.00	808.00	1,338.00	136.00
3824	Polished Chrome Plated Cast Bronze	1,220.00	1,220.00	1,491.00	136.00
B		6	6	6	
C		5	5	6	
D		5 1/2	5 1/2	6	
APPROX WT. LBS.		9	9	13	2

REGULARLY FURNISHED: As described by Figure Number.

SANITARY DRAINS



SANITARY DRAINS

FIG. 3950, 3951, 3955 FIXED AIR GAPS, THREADED, NO-HUB OR SPIGOT OUTLET



FUNCTION: When installed between the fixture waste outlet and the plumbing drainage system, SMITH Fixed Air Gaps provide protection of fixtures such as food processing equipment, kitchen fixtures, storage tanks, etc., from contamination due to back flow in the drain line. (Air Gap fittings in plumbing waste lines are installed on the house side of the fixture trap.) SMITH Fixed Air Gaps when installed in the water supply to a fixture or appliance, such as evaporative coolers, sterilizers, etc., will prevent contamination from cross connection between the potable water supply and the fixture that handles a contaminating liquid or one that is connected to a plumbing waste line. Local codes should be checked.

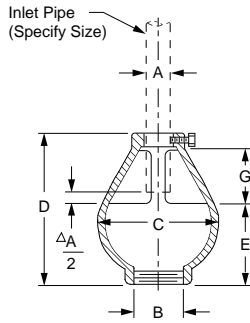


Fig. 3950T
THREADED OUTLET ONLY
(Specify A + B)

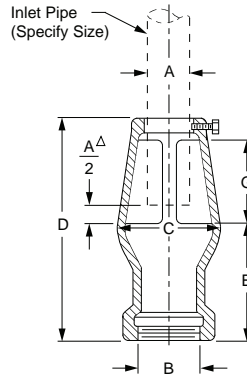


Fig. 3951T
THREADED OUTLET ONLY
(Specify A + B)

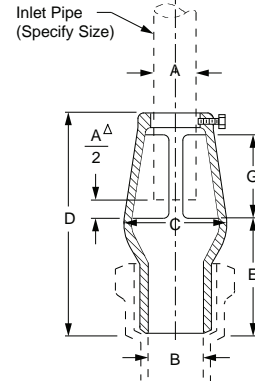


Fig. 3955S
NO-HUB OR SPIGOT OUTLET
(Specify A + B)

$$\frac{\Delta A}{2} = 1/2 \text{ Dia. of Inlet Pipe MIN}$$

FIG. NO.	A INLET SIZE	B OUTLET SIZE	C	D	E	G	DUCO †CI TOP	GALV CI (G)	CAST BRONZE (CB)	APPROX. WEIGHT LBS.
3950	0250"	075"	3	3	1 3/4	1	204.00	315.00	226.00	2
3950	050"	075"	4 1/4	5 1/2	3	2	204.00	315.00	226.00	2
3950	050"	01"	4 1/4	5 1/2	3	2	221.00	332.00	243.00	2
3950	075"	0150"	4 1/4	5 1/2	3	2	284.00	395.00	398.00	2 1/2
3950	01"	0150"	4 1/4	5 1/2	3	2	284.00	395.00	398.00	2 1/2
3951	01"	02"	3 1/2	8	4 1/4	3	209.00	320.00	408.00	4
3951	0125"	02"	3 1/2	8	4 1/4	3	209.00	320.00	408.00	4
3951	0150"	02"	3 1/2	8	4 1/4	3	209.00	320.00	408.00	4
3951	02"	03"	4 1/2	11 1/2	6 1/2	4	256.00	367.00	614.00	10
3951	03"	04"	6 1/2	15 1/2	8	6	350.00	461.00	1,135.00	19
3951	04"	06"	8 1/2	20	10	8	715.00	826.00	2,191.00	33
3955	01"	02"	3 1/2	8	4 1/4	3	182.00	306.00	402.00	4
3955	0125"	02"	3 1/2	8	4 1/4	3	182.00	306.00	402.00	4
3955	0150"	02"	3 1/2	8	4 1/4	3	195.00	306.00	482.00	4
3955	02"	03"	4 1/2	11 1/2	6 1/2	4	233.00	344.00	582.00	8
3955	03"	04"	6 1/2	15 1/2	8	6	343.00	454.00	857.00	19
3955	04"	06"	8 1/2	20	10	8	802.00	913.00	2,008.00	33

REGULARLY FURNISHED: Duco Cast Iron.



SANITARY DRAINS

FIG. 3960, 3970, 3980, ROOF-CEPTOR® INDIRECT WASTE DRAINS, MEDIUM DEPTH RECEPTORS



FUNCTION: Recommended for use in roof areas to receive waste water from air conditioning units, cooling towers and other mechanical equipment installed on the roof. The solid water dam prevents storm water from entering the waste line. The large vandal proof dome bottom strainer provides ample drainage and prevents entry of debris.

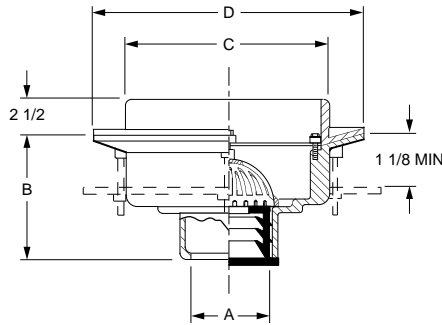


FIG. NO.	A OUTLET SIZE	C DIA. TOP SIZE	D DIA. FLANGE SIZE	†DUCO CI	GALV CI	APPROX. WEIGHT LBS
3960	02, 03, 04"	7 1/4"	8 1/2"	398.00	610.00	16
3970	02, 03, 04"	10 1/2"	12"	476.00	688.00	28
3970	06"	10 1/2"	12"	476.00	688.00	30
3980	02, 03, 04"	12 1/2"	15 1/4"	665.00	877.00	37
3980	06"	12 1/2"	15 1/4"	799.00	1,011.00	-

REGULARLY FURNISHED: Duco Cast Iron Receptor with Solid Water Dam and Cast Iron Dome Bottom Strainer Secured with Stainless Steel Vandal Proof Screws.

OUTLET VARIATIONS (Specify type of outlet and pipe size in inches.)

Outlet Type	Outlet Designation	Outlet Type/Pipe Size	"B" Body HT. DIM.	ADD
Inside Caulk	C02, C03, C04	(3960)	5 1/2"	68.00
	C02, C03, C04, C06	(3970)	6"	68.00
	C02, C03, C04, C06	(3980)	5"	68.00
Speedi-Set SW	L02, L03, L04	(3960)	5 1/2"	32.00
	L02, L03, L04, L06	(3970)	6"	32.00
	L02, L03, L04, L06	(3980)	5"	32.00
Speedi-Set XH	LXH02, LXH03, LXH04	(3960)	5 1/2"	32.00
	LXH02, LXH03, LXH04, LXH06	(3970)	6"	32.00
	LXH02, LXH03, LXH04, LXH06	(3980)	5"	32.00
Threaded	T02, T03, T04	(3960)	4 1/4"	68.00
	T02, T03, T04, T06	(3970)	4 3/4"	68.00
	T02, T03, T04, T06	(3980)	3 3/4"	68.00
No-Hub	Y02, Y03, Y04	(3960)	5 1/2"	N/C
	Y02, Y03, Y04, Y06	(3970)	6"	N/C
	Y02, Y03, Y04, Y06	(3980)	5"	N/C

OPTIONS:

Option	Description	ADD
-E	Extension, per inch, up to 4" (3960, 3970)	207.00
	Extension, up to 4" (3980)	207.00
	per inch over 4"	105.00
-C	Underdeck Clamp (3960, 3970)	121.00
	Underdeck Clamp (3980)	121.00
-R	Sump Receiver (3960, 3970)	121.00
	Sump Receiver (3980)	121.00

SANITARY DRAINS



NOTES



CLEANOUTS AND ACCESS COVERS



ADJUSTABLE FLOOR CLEANOUTS



Fig. 4020



Fig. 4031



Fig. 4040



Fig. 4051



Fig. 4100



Fig. 4111



Fig. 4120



Fig. 4131



Fig. 4140



Fig. 4151



Fig. 4160



Fig. 4171



Fig. 4180



Fig. 4191



Fig. 4200



Fig. 4211



Fig. 4220



Fig. 4231



Fig. 4240



Fig. 4237



Fig. 4250



Fig. 4261



Fig. 4280



Fig. 4291

NON-ADJUSTABLE FLOOR CLEANOUTS



Fig. 4313



Fig. 4318



Fig. 4333



Fig. 4338



Fig. DX4343

FERRULES WITH ACCESS COVERS



Fig. 4402



Fig. 4422



Fig. 4430



Fig. 4431



Fig. 4432

CLEANOUTS

CLEANOUTS AND ACCESS COVERS



FERRULES WITH ACCESS COVERS



Fig. 4433



Fig. 4434



Fig. 4435



Fig. 4436



Fig. 4437

CLEANOUT TEES



Fig. 4452



Fig. 4472



Fig. 4505



Fig. 4510



Fig. 4530

CLEANOUT TEES



Fig. 4550



Fig. 4555



Fig. 4710



Fig. 4715

WALL ACCESS COVERS



Fig. 4720



Fig. 4725



Fig. 4730



Fig. 4735



Fig. 4740



Fig. 4745



Fig. 4760



Fig. 4765

FLOOR ACCESS COVERS



Fig. 4810



Fig. 4890



Fig. DX4890



Fig. 4910



Fig. 4915



Fig. 4930



Fig. 4940



Fig. SQ-4-1819



Fig. SQ-4-1753

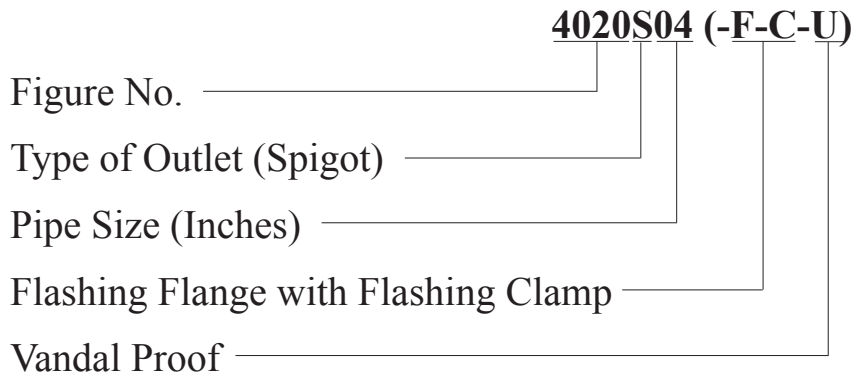
ORDERING GUIDELINES



4000 SERIES

After identifying the proper options required to meet the engineering specification, place order as shown below:

Examples:



*All variation suffixes are to be shown in parenthesis.

Drain Outlet Types:

- C Caulk Outlet
- T Threaded Outlet
- Y NO-HUB Outlet
- L Speedi-Set Service Weight
(02, 03 & 04" sizes only)
- LXH Speedi-Set Extra Heavy
(02, 03 & 04" sizes only)

Example: Pipe Size (Inches)

- 02 - 2"
- 03 - 3"
- 04 - 4"
- etc.

ADJUSTABLE FLOOR-LEVEL CLEANOUTS TECHNICAL DATA



HOW TO SELECT A FLOOR CLEANOUT

To make the proper "Cleanout Assembly" selection, the following steps are recommended.

SELECTION OF TOP	SELECTION OF BODY	SELECTION OF CLOSURE PLUG
Shape Style Traffic Function Material	Outlet Type Body Type	Ease Of Removal Type Of Seal

SELECTION OF TOP

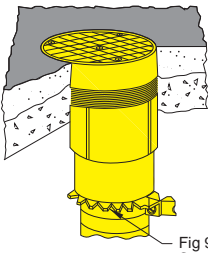


Fig. 1 Round Nickel Bronze Top

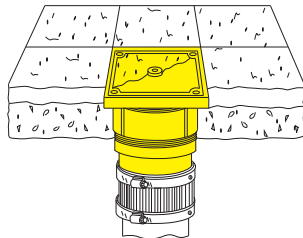


Fig. 2 Square Nickel Bronze Top with Tile Recess

Shape - The first step is to select a top which is compatible with the surrounding area. The exposed tops of floor-level cleanouts are considered as pieces of architectural trim. All Smith tops are carefully engineered for easy, fast and safe cover removal for quick access to the closure plug. Cleanout tops should be of the correct shape to blend with the surrounding floor and wall area.

A round top (Fig. 1) is easiest to orient in most floors since it will not conflict with most floor designs or require alignment to adjacent walls.

The square nickel bronze top (Fig. 2) is particularly adaptable to floors that are finished with materials of a square or straight line pattern.

Style - All floors in areas or rooms which have finished decorative floors and walls, will require finished floor cleanouts. Examples are offices, hospitals, banks, showrooms and many modern manufacturing areas.

A regular secured nickel bronze scoriated top (Fig. 1) is recommended for most finished floor areas. Nickel bronze non-skid tops blend with most finished floors. In floors where a minimum amount of metal is desired to be shown, cleanout tops are available with a recess to receive the floor materials. Tops are available with a shallow depression to receive vinyl or similar types of floor tile (Fig. 2) or with a lock-in design to receive terrazzo or ceramic tile fill (Fig. 3). All three types of finished floor tops are available in round or square patterns.

Most floors are considered finished floors and nickel bronze tops are recommended; however, there are some areas such as boiler rooms, warehouses and heavy manufacturing areas which may use heavy duty, cast iron tops. In these areas, strength and utility are of prime importance and beauty is a secondary consideration.

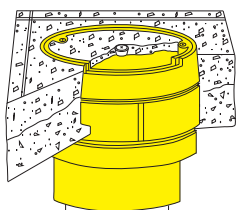


Fig. 3 Terrazzo Top

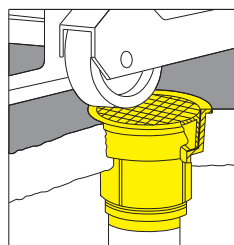


Fig. 4 Tractor-Type Heavy Duty Covers

Traffic Function - The top specified must be strong enough to safely carry the loads of anticipated traffic. The regular Smith nickel bronze top is a heavy duty design and can be used for all finished floor areas subject to foot and light vehicular traffic. For finished floors, where heavy traffic is anticipated, such as equipment showrooms, convention areas, etc., Smith offers heavy duty nickel bronze tops. For unfinished floors, subject to heavy vehicular traffic, round, heavy duty cast iron tops should be specified. Smith has available cast iron tops in heavy duty design and non-tilt tractor-type covers. The tractor-type cover (Fig. 4) cannot be tilted out of the cleanout top due to heavy vehicular traffic moving over it.

Material - For most finished floors, the Smith scoriated non-skid nickel bronze tops are recommended. Nickel bronze has excellent corrosion resistant qualities, is extremely serviceable, will not discolor and has an attractive surface. Nickel bronze tops will not rust stain the surrounding finished floor area as cast iron tops sometimes do. The "scuff-buff" action of foot traffic passing over a nickel bronze top will actually add to its appearance, giving it a soft silvery patina. Tops are available in special polished cast bronze, for use where tops must blend with other architectural trim.

SELECTION OF BODY

Outlet Type - Bodies which are used with adjustable floor-level cleanout assemblies are available with four types of outlet connections, spigot, Inside Caulk, NO-HUB and Speedi-Set which can be effectively used, depending on the type of connection desired for piping used in the system and compliance with plumbing code stipulations.

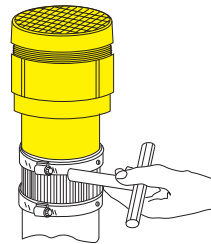


Fig. 5 NO-HUB Outlet Y

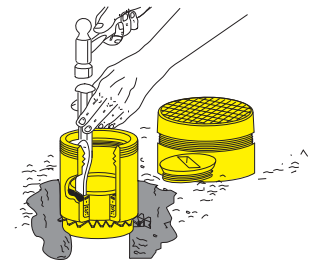


Fig. 6 Inside Caulk Outlet C

"NO HUB" outlet bodies (Fig. 5) are provided with a cut-off groove for added adjustment. Inside caulk outlet bodies (Fig. 6) are desirable when outside access to the joint is cramped or inaccessible. The inside caulk body also permits the use of bald end soil pipe pieces, thus effectively using random lengths of soil pipe without hub. Another advantage is that during the rough-in stage, odd lengths can be run up above the cut-off length and left until later. When cut-off elevation is finally established, these can then be snap-cut and the cleanout body caulked in place.

"Speedi-Set" cleanouts (Fig. 7) are the easiest type to install. The "Speedi-Set" Neoprene Gasket, will slide over a NO-HUB, Service Weight or Extra Heavy bald end soil pipe stub. Tops from Fig. 4020 thru 4250 series can be used with a "Speedi-Set" body to achieve the desired cleanout assembly.

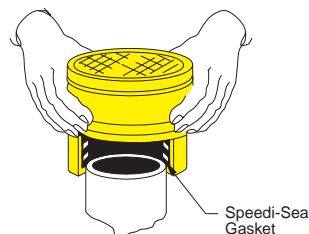


Fig. 7 Speedi-Set Body L

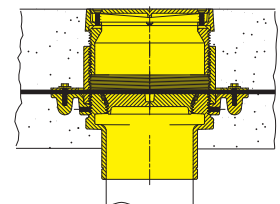


Fig. 8 With Flange -F and Flashing Clamp -C

Body Type - Occasionally cleanouts must be installed in areas where a continuous waterproof membrane is used. All variations of Smith Adjustable Floor-Level Cleanouts can be furnished with an integrally cast flange with a flashing clamp (Fig. 8). However, it must be noted that seepage control cannot be provided since cleanouts must be gas tight units. A flange is also desirable as it rigidly anchors the cleanout body in the concrete slab.

SELECTION OF CLOSURE PLUG

Ease of Removal - All Smith cleanout closures feature extra heavy plugs. The Smith countersunk type of design is regularly furnished and recommended. This type of plug has a slot sized to receive a piece of 1/2" bar stock, which eliminates the need for any special tools or wrenches (Fig. 9).

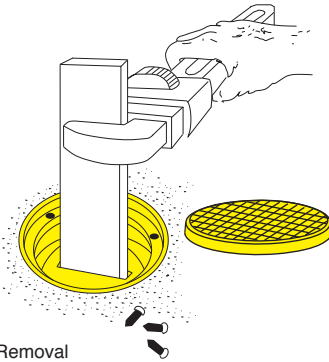


Fig. 9 Slotted Plug Removal

Type of Seal - All closures are gas tight and water tight. The gasket seal closure (Fig. 10) features a seal which is formed by the shoulder of the plug and the gasket seal. The taper thread type (Fig. 11) relies on the make up of the thread for the seal.

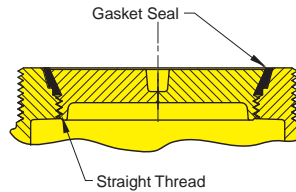


Fig. 10 Gasket Seal Closure

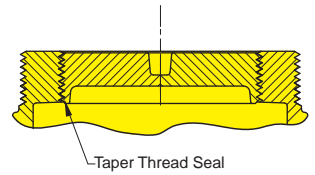


Fig. 11 Taper Thread Closure

FEATURES OF THE "TWIS-TO-FLOOR"® DESIGN

Smith engineers have designed a floor-level adjustable cleanout which features the "Twis-To-Floor"® concept (Fig. 12).

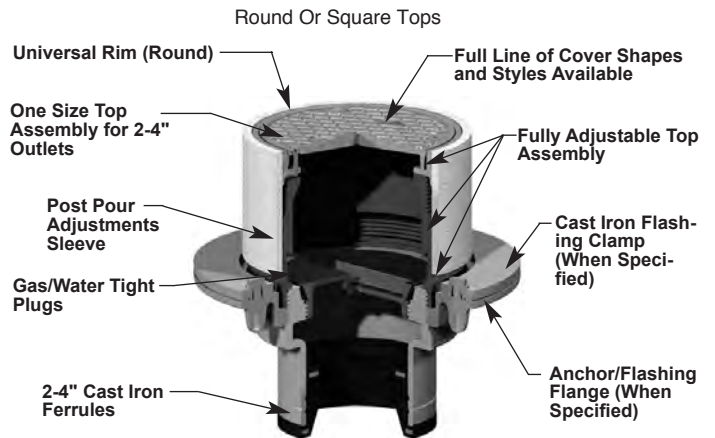


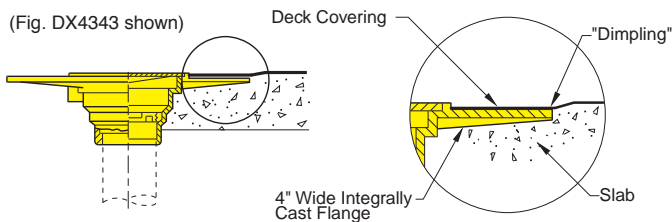
Fig. 12 The Twis-To-Floor® Cleanout

WIDE FLANGE CLEANOUTS

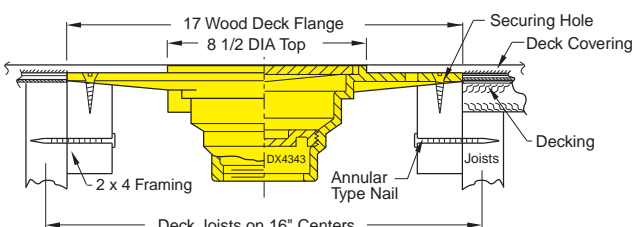
Prefix DX - Designates a wide flange that can be furnished on certain Smith Cleanouts. This flange receives and serves as a bonding base for the membranes and coatings of waterproof floor covering systems. These coverings consist of thin coatings which are applied in a series of trowel coats. The covering forms its own membrane, flashing and durable traffic surface. The wide DX flange is regularly furnished 4" in width. The usual covering is approximately 3/16" thick and may be applied over many subsurfaces such as concrete, gypsum or wood decks. Such coverings are particularly adaptable to areaways, plazas, floors and corridors.

When DX flange is required on cleanouts other than those shown in this section, the prefix DX must be used with the figure number and the lip dimension must be specified. If waterproof deck covering thickness is greater (or less) than 3/16, the lip dimension must be specified. Cleanout body should be set to compensate for the variation in thickness. Cleanout body should be set low enough to permit "dimpling" of area surrounding drain.

Illustrated is a typical waterproof traffic bearing floor covering installation and an example of the "dimpling" effect.



WOOD DECK INSTALLATION

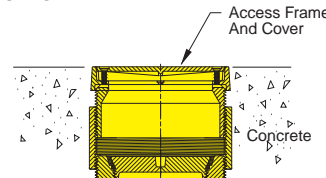


CARPETED FLOOR CLEANOUTS

Suffix -X - Carpet Clamping Frame (4020, 4025 and 4031 Series only). Adjustable cleanout assembly is installed with nickel bronze frame and secured cover flush with concrete slab (Fig. 13). This serves as a functional, safe, "Flush-with-Floor" cleanout, during period prior to carpet installation. Carpet is cut to fit around lower cleanout frame and cover is removed. Carpet is clamped against slab with "Carpet Clamping Frame." Cover is then installed and secured in clamping frame (Fig. 14).

INSTALLATION

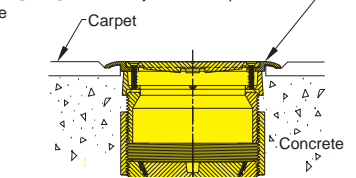
STAGE 1



NOTE: Cover installed in lower frame at this stage.

Fig. 13

STAGE 2



NOTE: Cover removed from stage No. 1 and used with carpet frame.

Fig. 14

Suffix -Y - Carpet cleanout Marker (Fig. 15) - Used with 4020 and 4025 series cleanouts, 1 1/2" diameter stainless steel marker serves as cleanout locator in carpeted floors. When access to drain line is required, marker locates cleanout. Carpet over cleanout is cut for accessibility to closure plug. After drain line is cleaned, carpet is replaced and marker re-installed.

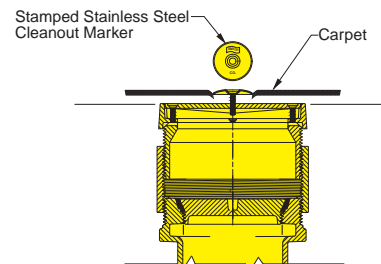


Fig. 15

NOTE: For additional Cleanout and Access Cover technical or application data go to our web site at www.jrsmith.com or contact your local Jay R. Smith Representative.

CLEANOUTS

FIG. SQ-4-1819 ROUND POLISHED STAINLESS STEEL WALL COVER PLATE AND GAS TIGHT CLOSURE



FUNCTION: Recommended for use as a cleanout where a wall access plate is required.



OPTIONS:

-NB	Nickle Bronze	ADD
-SS	Stainless Steel	POA
		POA

SIZE	SQ-4-1819
1.5-2	111.00

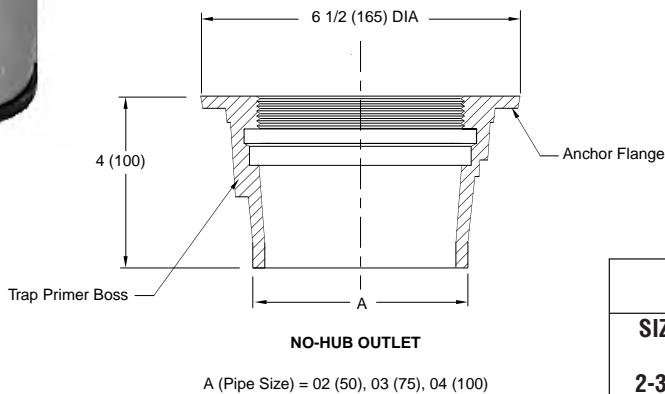
REGULARLY FURNISHED: Tapered Plug, Threaded Brass Insert, Urethane Rubber Seal, Complete with Polished Stainless Steel Access Cover and Stainless Steel Vandalproof Screw.

FIG. SQ-4-1753 ADJUSTABLE FLOOR CLEANOUT FOR NON-MEMBRANE FLOORS



OPTIONS:

-SP	Seal Plug	50.00
-VP	Vandal Proof Screws	11.00
-Y	Carpet Marker	N/C
-G	Galvanized Body	60.00



	GENERAL DUTY NB	HD DUTY SS	HD DUTY NB	GENERAL DUTY NB
SIZE	ROUND NB (-NBCO)	ROUND SS (-SSCO)	ROUND HD (-XNBCO)	SQUARE NB (-SQNBCO)
2-3-4	246.00	325.00	258.00	336.00

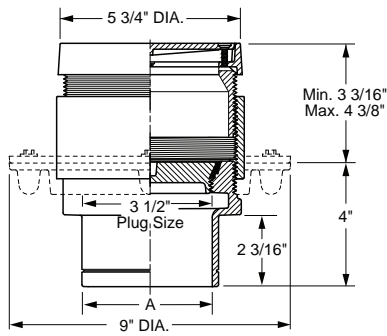
REGULARLY FURNISHED: Duco Cast Iron Body with Adjustable Cast Iron Cleanout and Scoriated Gasketed Cover.



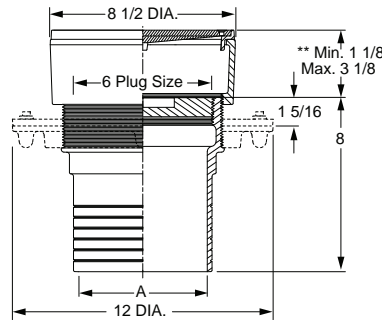
CLEANOUTS

FIG. 4020-4033 SERIES FINISHED FLOOR CLEANOUTS W/ADJUSTABLE ROUND MEDIUM DUTY TOPS

FUNCTION: For use in finished floors bearing foot and medium load wheeled traffic. Allows for easy floor level adjustment.



4020 SERIES



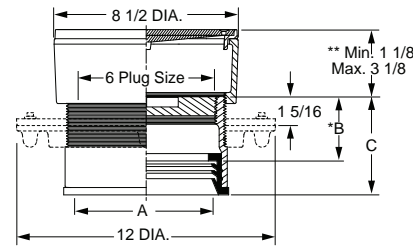
4023 SERIES

OPTIONS:

-DX	Wide Flange	352.00
-F	Flange	N/C
-FC	Flange w/Flashing Clamp	64.00
-G	Galvanized Cl	146.00
-IP	Iron Plug (In lieu of ABS).....	58.00
-NBSS	Stainless Steel Top (2", 3" & 4" sizes)	58.00
-U	Vandal Proof Screws	69.00
-X	Carpet Clamping Type	209.00
-Y	Carpet Marker Type	34.00

REPLACEMENT COVERS:

4020NBTOP4-NS	414.00
4020NBTOP6-NS	569.00
4020NBTOP4-NS-SS	727.00
4020PBTOP4-NS	344.00
4020PBTOP6-NS	541.00



4033 SERIES

A SIZE	B	C
06	*3	4 9/16
08	*3 1/4	4 13/16

NOTE: When Flange -F is specified, Min. 1 1/8" becomes 1 5/8"

WITH ABS PLUG	SPIGOT• OUTLET	INSIDE CAULK OUTLET	SPEEDI- SET* OUTLET	A - OUTLET SIZE						
				COVER MATERIAL	02"	03"	04"	♦05"	**06"	**08"
Gasket Seal Plug	4020S	4025C	4031L	†Nickel Bronze (-NB)	311.00	311.00	311.00	874.00	510.00	-
				Polished Bronze (-PB)	413.00	413.00	413.00	838.00	647.00	-
Taper Thread Plug	❖4024S	4029C	4034L	†Nickel Bronze (-NB)	435.00	435.00	435.00	874.00	684.00	-
				Polished Bronze (-PB)	413.00	413.00	413.00	838.00	647.00	-
WITH BRZ PLUG	SPIGOT• OUTLET	INSIDE CAULK OUTLET	SPEEDI- SET* OUTLET	A - OUTLET SIZE						
				COVER MATERIAL	02"	03"	04"	♦05"	**06"	**08"
Gasket Seal Plug	4021S	4026C	4032L	†Nickel Bronze (-NB)	426.00	426.00	426.00	991.00	876.00	1,373.00
				Polished Bronze (-PB)	461.00	482.00	616.00	955.00	1,013.00	1,337.00
Taper Thread Plug	■4023S**	4028C	4033L**	†Nickel Bronze (-NB)	550.00	550.00	550.00	991.00	799.00	1,186.00
				Polished Bronze (-PB)	528.00	528.00	528.00	955.00	762.00	1,180.00
APPROX WT. LBS.					14	15	19	25	28	32

REGULARLY FURNISHED: Duco Cast Iron Cleanout with Round Adjustable Scoriated Secured Nickel Bronze Top. Closure Plug Type as Indicated by Figure Number Selected.

- ** 6 & 8" Available w/Bronze Taper Plug Only.
- 5, 6 & 8" Not Available w/Inside Caulk Outlet.
- ♦ 5" Available w/Spigot Outlet Only.
- Same as 4024 W/Taper Thread Bronze Plug
- ❖ Same as 4023 W/Taper Thread ABS Plug
- * Speedi-Set Outlet Available with 2, 3, 4, 6 or 8" Connection Only. Specify Service Weight (LXH) or PVC (LPVC). LPVC applies to 6" pipe size only.
- Spigot Ferrules are Suitable for use with No-Hub Connections.

CLEANOUTS

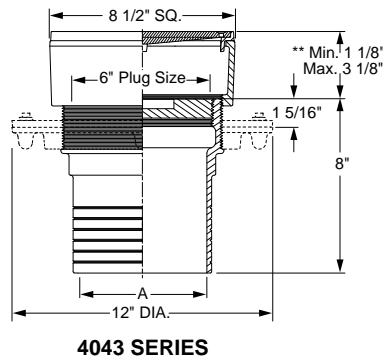
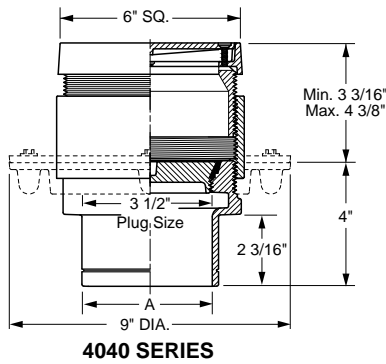


CLEANOUTS

FIG. 4040-4053 SERIES FINISHED FLOOR CLEANOUTS W/ADJUSTABLE SQUARE MEDIUM DUTY TOPS



FUNCTION: For use in finished floors bearing foot and medium load wheeled traffic. The square top is particularly adaptable to floors that are finished of material in straight line patterns. Allows for easy floor level adjustment.

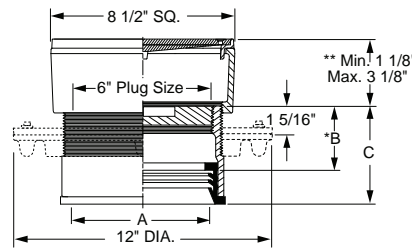


OPTIONS:

	ADD
-DX Wide Flange	352.00
-F Flange	N/C
-FC Flange w/Flashing Clamp	64.00
-G Galvanized CI	146.00
-IP Iron Plug (In lieu of ABS).....	58.00
-U Vandal Proof Screws	69.00
-X Carpet Clamping Type	209.00
-Y Carpet Marker Type	34.00

REPLACEMENT COVERS:

	LIST
4040NBTOP4-NS	414.00
4040NBTOP6-NS	569.00
4040PBTOP4-NS	344.00
4040PBTOP6-NS	541.00



A SIZE	B	C
06	*3	4 9/16
08	*3 1/4	4 13/16

NOTE: When Flange -F is specified, Min. 1 1/8" becomes 1 5/8"

WITH ABS PLUG	SPIGOT• OUTLET	INSIDE CAULK OUTLET	SPEEDI- SET*	A - OUTLET SIZE						
				COVER MATERIAL	02"	03"	04"	♦05"	**06"	**08"
Gasket Seal Plug	4040S	4045C	4051L	†Nickel Bronze (-NB)	380.00	402.00	536.00	874.00	-	-
				Polished Bronze (-PB)	344.00	366.00	500.00	838.00	-	-
Taper Thread Plug	4044S	4049C	4054L	†Nickel Bronze (-NB)	548.00	548.00	548.00	874.00	-	-
				Polished Bronze (-PB)	526.00	526.00	526.00	838.00	-	-
WITH BRZ PLUG	SPIGOT• OUTLET	INSIDE CAULK OUTLET	SPEEDI- SET*	A - OUTLET SIZE						
				COVER MATERIAL	02"	03"	04"	♦05"	**06"	**08"
Gasket Seal Plug	4041S	4046C	4052L	†Nickel Bronze (-NB)	497.00	518.00	652.00	991.00	1,248.00	1,373.00
				Polished Bronze (-PB)	461.00	482.00	616.00	955.00	1,212.00	1,337.00
Taper Thread Plug	4043S**	4048C	4053L**	†Nickel Bronze (-NB)	663.00	663.00	663.00	991.00	1,163.00	1,299.00
				Polished Bronze (-PB)	641.00	641.00	641.00	955.00	1,126.00	1,293.00
APPROX WT. LBS.				14	15	19	25	28	32	

REGULARLY FURNISHED: Duco Cast Iron Cleanout with Square Adjustable Scoriated Secured Nickel Bronze Top. Closure Plug Type as Indicated By Figure Number Selected.

**6 & 8" Available w/Bronze Taper Plug Only.

5, 6 & 8" Not Available w/Inside Caulk Outlet.

* Speedi-Set Outlet Available with 2, 3, 4, 6 or 8" Connection Only. Specify Service Weight (L), Extra Heavy (LXH) or PVC (LPVC). LPVC applies to 6" pipe size only.

• Spigot Ferrules are Suitable for use with No-Hub Connections.

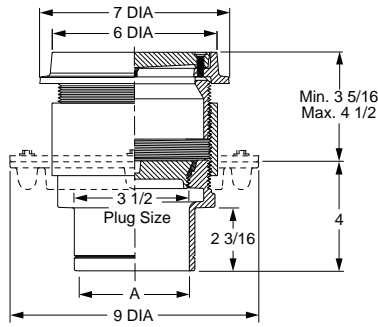
♦ 5" Available w/Spigot Outlet Only.



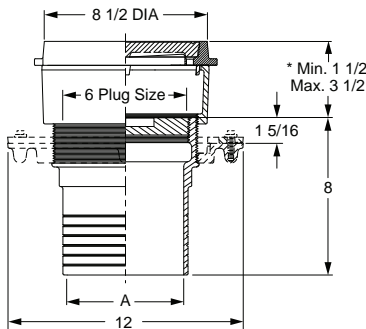
CLEANOUTS

FIG. 4100-4113 SERIES FINISHED FLOOR CLEANOUTS W/ADJUSTABLE ROUND EXTRA HEAVY DUTY TOPS

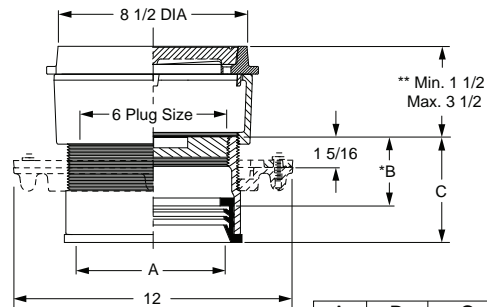
FUNCTION: Used in hospital, school, institutional and industrial buildings where floors are subject to heavy load traffic.



**4100 Series
2" & 5" Sizes**



**4103 Series
6" & 8" Sizes**



**4113 Series
6" & 8" Sizes**

A SIZE	B	C
06	*3	4 9/16
08	*3 1/4	4 13/16

OPTIONS:

-DX	Wide Flange	352.00
-F	Flange	N/C
-FC	Flange w/Flashing Clamp	64.00
-G	Galvanized Cl	146.00
-IP	Iron Plug (In lieu of ABS).....	58.00
-U	Vandal Proof Screws	69.00

REPLACEMENT COVERS:

4100NBTP4-NS	414.00
4100NBTP6-NS	569.00
4100PBTP4-NS	344.00
4100PBTP6-NS	541.00

NOTE: When Flange -F is specified, Min. 1 1/2" becomes 2"

WITH ABS PLUG	SPIGOT• OUTLET	INSIDE CAULK OUTLET	SPEEDI- SET*	A - OUTLET SIZE						
				COVER MATERIAL	02"	03"	04"	♦05"	**06"	**08"
Gasket Seal Plug	4100S	4105C	4111L	†Nickel Bronze (-NB)	474.00	496.00	630.00	969.00	-	-
				Polished Bronze (-PB)	438.00	460.00	594.00	933.00	-	-
Taper Thread Plug	4104S	4109C	4114L	†Nickel Bronze (-NB)	511.00	511.00	511.00	969.00	-	-
				Polished Bronze (-PB)	489.00	489.00	489.00	933.00	-	-
WITH BRZ PLUG	SPIGOT• OUTLET	INSIDE CAULK OUTLET	SPEEDI- SET*	A - OUTLET SIZE						
				COVER MATERIAL	02"	03"	04"	♦05"	**06"	**08"
Gasket Seal Plug	4101S	4106C	4112L	†Nickel Bronze (-NB)	591.00	614.00	748.00	1,086.00	1,342.00	1,468.00
				Polished Bronze (-PB)	555.00	578.00	712.00	1,050.00	1,306.00	1,432.00
Taper Thread Plug	**4103S	4108C	**4113L	†Nickel Bronze (-NB)	626.00	626.00	626.00	1,086.00	1,126.00	1,262.00
				Polished Bronze (-PB)	604.00	604.00	604.00	1,050.00	1,089.00	1,256.00
APPROX WT. LBS.				14	15	19	25	28	32	

REGULARLY FURNISHED: Duco Cast Iron Cleanout with Round Adjustable Scoriated Secured Nickel Bronze Top. Closure Plug Type as Indicated By Figure Number Selected.

- ** 6 & 8" Available w/Bronze Taper Plug Only.
- 5, 6 & 8" Not Available w/Inside Caulk Outlet.
- * Speedi-Set Outlet Available with 2, 3, 4, 6 or 8" Connection Only. Specify Service Weight (L), Extra Heavy (LXH) or PVC (LPVCE). LPVC applies to 6" pipe size only.
- Spigot Ferrules are Suitable for use with No-Hub Connections.
- ♦ 5" Available w/Spigot Outlet Only.

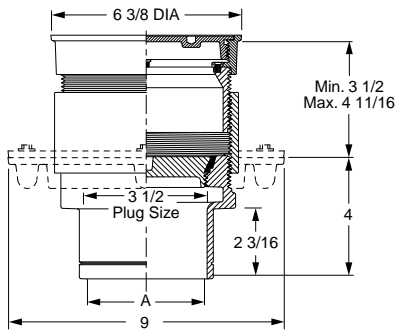
CLEANOUTS



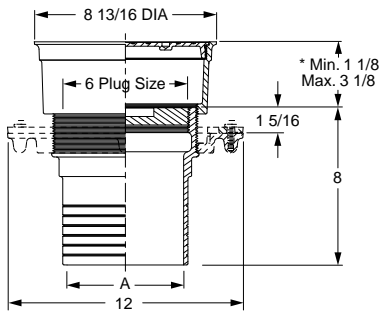
CLEANOUTS

FIG. 4120-4133 SERIES FINISHED FLOOR CLEANOUTS W/ADJUSTABLE ROUND TOP W/THREADED SPANNER WRENCH COVER

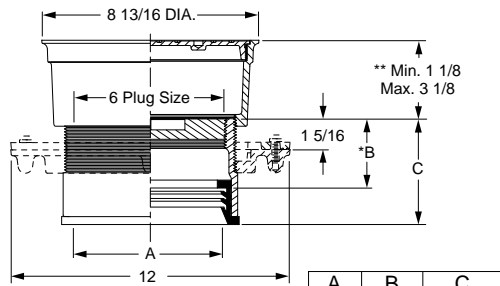
FUNCTION: Used in finished floors subjected to pedestrian traffic when threaded watertight cover is desired.



4120 Series
2" - 5" Sizes



4123 Series
6" & 8" Sizes



4133 Series
6" & 8" Sizes

A	B	C
06	*3	4 9/16
08	*3 1/4	4 13/16

NOTE: When Flange -F is specified, Min. 1 1/8" becomes 1 5/8"

NOTE: When Flange -F is specified, Min. 1 1/8" becomes 1 5/8"

WITH ABS PLUG	SPIGOT• OUTLET	INSIDE CAULK OUTLET	SPEEDI- SET* OUTLET	A - OUTLET SIZE						
				COVER MATERIAL	02"	03"	04"	♦05"	**06"	**08"
Gasket Seal Plug	4120S	4125C	4131L	†Nickel Bronze (-NB)	405.00	554.00	606.00	1,029.00	-	-
				Polished Bronze (-PB)	369.00	518.00	570.00	993.00	-	-
Taper Thread Plug	4124S	4129C	4134L	†Nickel Bronze (-NB)	638.00	638.00	638.00	1,029.00	-	-
				Polished Bronze (-PB)	579.00	579.00	579.00	993.00	-	-
WITH BRZ PLUG	SPIGOT• OUTLET	INSIDE CAULK OUTLET	SPEEDI- SET* OUTLET	A - OUTLET SIZE						
				COVER MATERIAL	02"	03"	04"	♦05"	**06"	**08"
Gasket Seal Plug	4121S	4126C	4132L	†Nickel Bronze (-NB)	520.00	670.00	725.00	1,146.00	1,402.00	2,241.00
				Polished Bronze (-PB)	484.00	634.00	689.00	1,110.00	1,366.00	2,205.00
Taper Thread Plug	**4123S	4128C	**4133L	†Nickel Bronze (-NB)	784.00	784.00	784.00	1,146.00	1,598.00	1,911.00
				Polished Bronze (-PB)	692.00	692.00	692.00	1,110.00	1,568.00	1,881.00
APPROX WT. LBS.				14	15	19	25	28	32	

REGULARLY FURNISHED: Duco Cast Iron Cleanout with Round Adjustable Scoriated Secured Nickel Bronze Top. Closure Plug Type as Indicated By Figure Number Selected.

** 6 & 8" Available w/Bronze Taper Plug Only.

5, 6 & 8" Not Available w/Inside Caulk Outlet.

* Speedi-Set Outlet Available with 2, 3, 4, 6 or 8" Connection Only. Specify Service Weight (L), Extra Heavy (LXH) or PVC (LPVC). LPVC applies to 6" pipe size only.

• Spigot Ferrules are Suitable for use with No-Hub Connections.

♦ 5" Available w/Spigot Outlet Only.



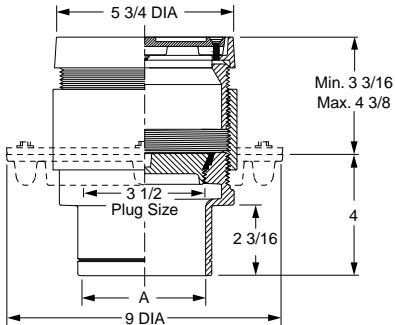
CLEANOUTS

SMITH®

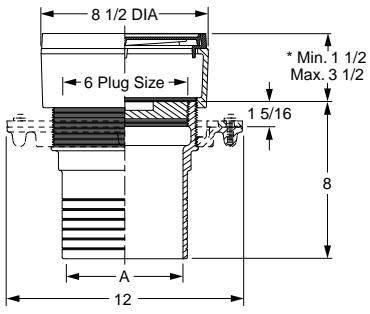
FIG. 4140-4153 SERIES FINISHED FLOOR CLEANOUTS W/ADJUSTABLE ROUND TOP WITH TILE RECESS



FUNCTION: For use in floors and areas which are covered with a floor covering such as asphalt or vinyl tile, linoleum, etc., bearing foot and medium load wheeled traffic. Tile recess receives inlay of floor material, presenting an unobtrusive appearance. Allows for easy floor level adjustment.



**4140 Series
2" - 5" Sizes**



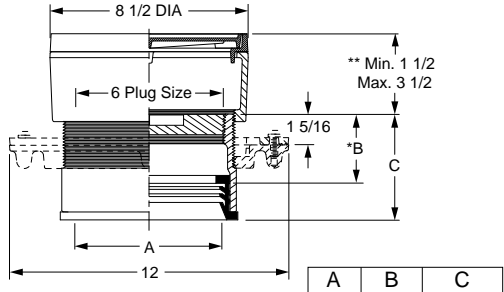
**4143 Series
6" & 8" Sizes**

OPTIONS:

-DX	Wide Flange	352.00
-F	Flange	N/C
-FC	Flange w/Flashing Clamp	64.00
-G	Galvanized Cl	146.00
-IP	Iron Plug (In lieu of ABS).....	58.00
-U	Vandal Proof Screws	69.00

REPLACEMENT COVERS:

4140NBTP4-NS	414.00
4140NBTP6-NS	569.00
4140PBTP4-NS	344.00
4140PBTP6-NS	541.00



**4153 Series
6" & 8" Sizes**

A SIZE	B	C
06	*3	4 9/16
08	*3 1/4	4 13/16

NOTE: When Flange -F is specified, Min. 1 1/2" becomes 2"

WITH ABS PLUG	SPIGOT OUTLET	INSIDE CAULK OUTLET	SPEEDI- SET*	A - OUTLET SIZE						
				COVER MATERIAL	02"	03"	04"	♦05"	**06"	**08"
Gasket Seal Plug	4140S	4145C	4151L	†Nickel Bronze (-NB)	380.00	402.00	536.00	874.00	-	-
				Polished Bronze (-PB)	344.00	366.00	500.00	838.00	-	-
Taper Thread Plug	4144S	4149C	4154L	†Nickel Bronze (-NB)	548.00	548.00	548.00	874.00	-	-
				Polished Bronze (-PB)	526.00	526.00	526.00	838.00	-	-
				APPROX WT. LBS.						
					14	15	19	25	28	32

WITH BRZ PLUG	SPIGOT OUTLET	INSIDE CAULK OUTLET	SPEEDI- SET*	A - OUTLET SIZE						
				COVER MATERIAL	02"	03"	04"	♦05"	**06"	**08"
Gasket Seal Plug	4141S	4146C	4152L	†Nickel Bronze (-NB)	497.00	518.00	652.00	991.00	1,248.00	1,373.00
				Polished Bronze (-PB)	461.00	482.00	616.00	955.00	1,212.00	1,337.00
Taper Thread Plug	**4143S	4148C	**4153L	†Nickel Bronze (-NB)	663.00	663.00	663.00	991.00	1,163.00	1,299.00
				Polished Bronze (-PB)	641.00	641.00	641.00	955.00	1,126.00	1,293.00

REGULARLY FURNISHED: Duco Cast Iron Cleanout with Round Adjustable Secured Nickel Bronze Top with 1/8" Tile Recess. Closure Plug Type as Indicated By Figure Number Selected.

- ** 6 & 8" Available w/Bronze Taper Plug Only.
- 5, 6 & 8" Not Available w/Inside Caulk Outlet.
- * Speedi-Set Outlet Available with 2, 3, 4, 6 or 8" Connection Only. Specify Service Weight (L), Extra Heavy (LXH) or PVC (LPVCE). LPVC applies to 6" pipe size only.
- Spigot Ferrules are Suitable for use with No-Hub Connections.
- ♦ 5" Available w/Spigot Outlet Only.

CLEANOUTS



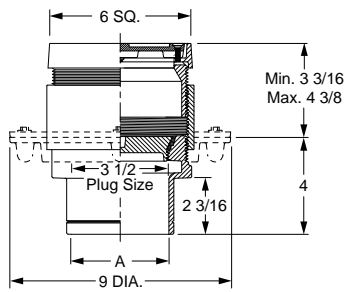
CLEANOUTS

SMITH®

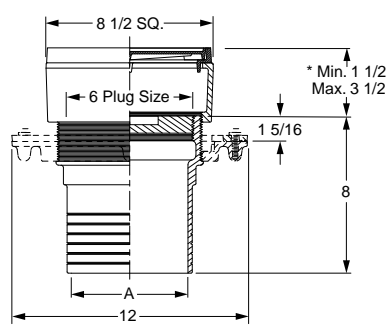


FIG. 4160-4173 SERIES FINISHED FLOOR CLEANOUTS W/ADJUSTABLE SQUARE TOP WITH TILE RECESS

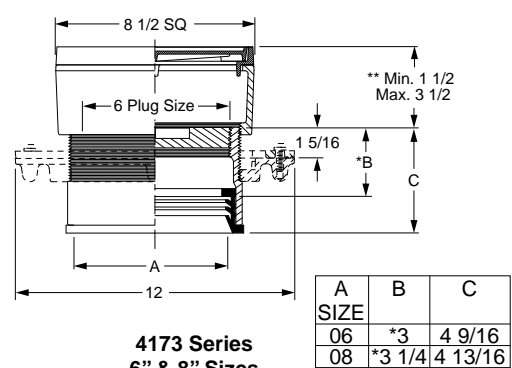
FUNCTION: For use in floors and areas which are covered with a floor covering such as asphalt or vinyl tile, linoleum, etc., bearing foot and medium load wheeled traffic. The square top is particularly adaptable to the straight line patterns of tile designs. Allows for easy floor level adjustment.



**4160 Series
2" - 5" Sizes**



**4163 Series
6" & 8" Sizes**



**4173 Series
6" & 8" Sizes**

OPTIONS:

-DX	Wide Flange	352.00
-F	Flange	N/C
-FC	Flange w/Flashing Clamp	64.00
-G	Galvanized Cl	146.00
-IP	Iron Plug (In lieu of ABS).....	58.00
-U	Vandal Proof Screws	69.00

REPLACEMENT COVERS:

4160NBTOP4-NS	414.00
4160NBTOP6-NS	569.00
4160PBTOP4-NS	344.00
4160PBTOP6-NS	541.00

NOTE: When Flange -F is specified, Min. 1 1/2" becomes 2"

WITH ABS PLUG	SPIGOT• OUTLET	INSIDE CAULK OUTLET	SPEEDI- SET* OUTLET	A - OUTLET SIZE						
				COVER MATERIAL	02"	03"	04"	•05"	**06"	**08"
Gasket Seal Plug	4160S	4165C	4171L	†Nickel Bronze (-NB)	380.00	402.00	536.00	874.00	-	-
				Polished Bronze (-PB)	344.00	366.00	500.00	838.00	-	-
Taper Thread Plug	4164S	4169C	4174L	†Nickel Bronze (-NB)	661.00	661.00	661.00	874.00	-	-
				Polished Bronze (-PB)	639.00	639.00	639.00	838.00	-	-
WITH BRZ PLUG	SPIGOT• OUTLET	INSIDE CAULK OUTLET	SPEEDI- SET* OUTLET	A - OUTLET SIZE						
Gasket Seal Plug	4161S	4166C	4172L	†Nickel Bronze (-NB)	497.00	518.00	652.00	991.00	1,248.00	1,773.00
				Polished Bronze (-PB)	461.00	482.00	616.00	955.00	1,212.00	1,337.00
Taper Thread Plug	**4163S	4168C	**4173L	†Nickel Bronze (-NB)	776.00	776.00	776.00	991.00	1,276.00	1,412.00
				Polished Bronze (-PB)	754.00	754.00	754.00	955.00	1,239.00	1,406.00
APPROX WT. LBS.				14	15	19	25	28	32	

REGULARLY FURNISHED: Duco Cast Iron Cleanout with Square Adjustable Secured Nickel Bronze Top with 1/8" Recess. Closure Plug Type as Indicated By Figure Number Selected.

- **6 & 8" Available w/Bronze Taper Plug Only.
- 5,6 & 8" Not Available w/Inside Caulk Outlet.
- * Speedi-Set Outlet Available with 2, 3, 4, 6 or 8" Connection Only. Specify Service Weight (L), Extra Heavy (LXH) or PVC (LPVC). LPVC applies to 6" pipe size only.
- Spigot Ferrules are Suitable for use with No-Hub Connections.
- ♦ 5" Available w/Spigot Outlet Only.

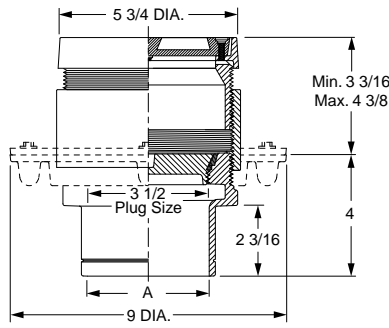


CLEANOUTS

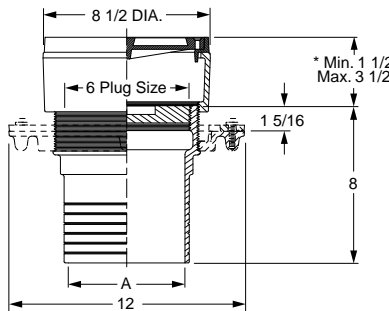


FIG. 4180-4193 SERIES FINISHED FLOOR CLEANOUTS W/ADJUSTABLE ROUND TOP WITH TERRAZZO RECESS

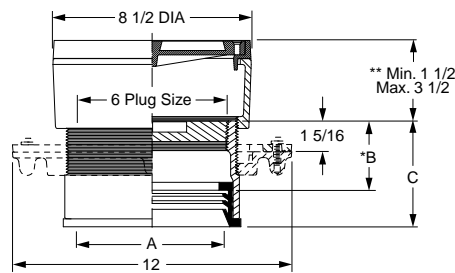
FUNCTION: Used in terrazzo and similar poured floors bearing foot and medium load wheeled traffic. The recess is filled with the floor material, presenting an unobtrusive appearance. Lock-in design gently holds floor material in recess.



**4180 Series
2" - 5" Sizes**



**4183 Series
6" & 8" Sizes**



**4193 Series
6" & 8" Sizes**

A SIZE	B	C
06	*3	4 9/16
08	*3 1/4	4 13/16

OPTIONS:

-DX	Wide Flange	352.00
-F	Flange	N/C
-FC	Flange w/Flashing Clamp	64.00
-G	Galvanized Cl	146.00
-IP	Iron Plug (In lieu of ABS).....	58.00
-U	Vandal Proof Screws	69.00

REPLACEMENT COVERS:

4180NBTP4-NS	414.00
4180NBTP6-NS	569.00
4180PBTP4-NS	344.00

NOTE: When Flange -F is specified, Min. 1 1/2" becomes 2"

WITH ABS PLUG	SPIGOT* OUTLET	INSIDE CAULK OUTLET	SPEEDI- SET*	A - OUTLET SIZE						
				COVER MATERIAL	02"	03"	04"	♦05"	**06"	**08"
Gasket Seal Plug	4180S	4185C	4191L	†Nickel Bronze (-NB)	595.00	616.00	751.00	1,088.00	-	-
				Polished Bronze (-PB)	559.00	580.00	715.00	1,052.00	-	-
Taper Thread Plug	4184S	4189C	4194L	†Nickel Bronze (-NB)	548.00	548.00	548.00	1,088.00	-	-
				Polished Bronze (-PB)	526.00	526.00	526.00	1,052.00	-	-
WITH BRZ PLUG	SPIGOT* OUTLET	INSIDE CAULK OUTLET	SPEEDI- SET*	A - OUTLET SIZE						
				COVER MATERIAL	02"	03"	04"	♦05"	**06"	**08"
Gasket Seal Plug	4181S	4186C	4192L	†Nickel Bronze (-NB)	713.00	734.00	870.00	1,206.00	1,462.00	1,587.00
				Polished Bronze (-PB)	677.00	698.00	834.00	1,170.00	1,426.00	1,551.00
Taper Thread Plug	**4183S	4188C	**4193L	†Nickel Bronze (-NB)	663.00	663.00	663.00	1,163.00	1,163.00	1,299.00
				Polished Bronze (-PB)	641.00	641.00	641.00	1,126.00	1,126.00	1,293.00
APPROX WT. LBS.					14	15	19	25	28	32

REGULARLY FURNISHED: Duco Cast Iron Cleanout with Round Adjustable Secured Nickel Bronze Top with 1/2" Terrazzo Recess. Closure Plug Type as Indicated by Figure Number Selected.

- **6 & 8" Available w/Bronze Taper Plug Only.
- 5, 6 & 8" Not Available w/Inside Caulk Outlet.
- * Speedi-Set Outlet Available with 2, 3, 4, 6 or 8" Connection Only. Specify Service Weight (L), Extra Heavy (LXH) or PVC (LPVC). LPVC applies to 6" pipe size only.
- Spigot Ferrules are Suitable for use with No-Hub Connections.
- ♦ 5" Available w/Spigot Outlet Only.

CLEANOUTS

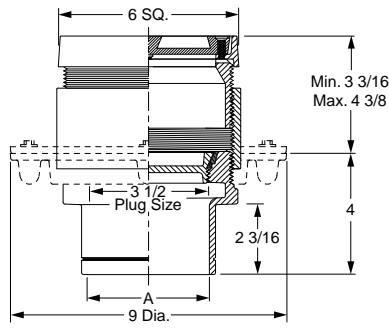


CLEANOUTS

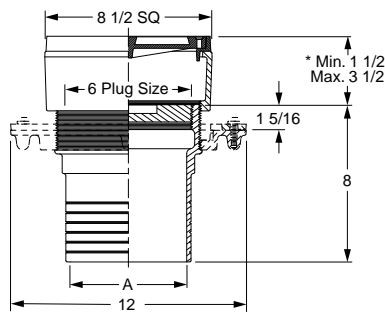
FIG. 4200 SERIES FINISHED FLOOR CLEANOUTS W/ADJUSTABLE SQUARE TOP WITH TERRAZZO RECESS



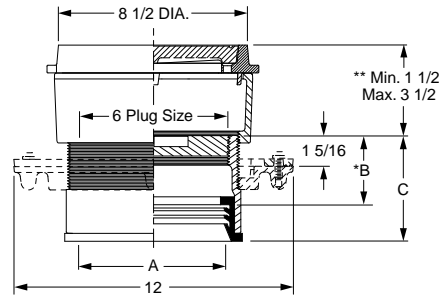
FUNCTION: Used in terrazzo and similar poured floors bearing foot and medium load wheeled traffic. The recess is filled with the floor material, presenting an unobtrusive appearance. Lock-in design firmly holds floor material in recess.



**4200 Series
2" - 5" Sizes**



**4203 Series
6" & 8" Sizes**



**4213 Series
6" & 8" Sizes**

A SIZE	B	C
06	*3	4 9/16
08	*3 1/4	4 13/16

OPTIONS:		ADD
-DX	Wide Flange	352.00
-F	Flange	N/C
-FC	Flange w/Flashing Clamp	64.00
-G	Galvanized Cl	146.00
-IP	Iron Plug (In lieu of ABS).....	58.00
-U	Vandal Proof Screws	69.00

REPLACEMENT COVERS:		LIST
4200NBTOP4-NS		414.00
4200NBTOP6-NS		569.00
4200PBTOP4-NS		541.00

NOTE: When Flange -F is specified, Min. 1 1/2" becomes 2"

WITH ABS PLUG	SPIGOT• OUTLET	INSIDE CAULK OUTLET	SPEEDI- SET* OUTLET	A - OUTLET SIZE						
				COVER MATERIAL	02"	03"	04"	♦05"	**06"	**08"
Gasket Seal Plug	4200S	4205C	4211L	†Nickel Bronze (-NB)	595.00	616.00	751.00	1,088.00	-	-
				Polished Bronze (-PB)	559.00	580.00	715.00	1,052.00	-	-
Taper Thread Plug	4204S	4209C	4214L	†Nickel Bronze (-NB)	661.00	661.00	661.00	1,088.00	-	-
				Polished Bronze (-PB)	639.00	639.00	639.00	1,052.00	-	-
WITH BRZ PLUG	SPIGOT• OUTLET	INSIDE CAULK OUTLET	SPEEDI- SET* OUTLET	A - OUTLET SIZE						
				COVER MATERIAL	02"	03"	04"	♦05"	**06"	**08"
Gasket Seal Plug	4201S	4206C	4212L	†Nickel Bronze (-NB)	713.00	734.00	870.00	1,206.00	1,462.00	1,587.00
				Polished Bronze (-PB)	677.00	698.00	834.00	1,170.00	1,426.00	1,551.00
Taper Thread Plug	**4203S	4208C	**4213L	†Nickel Bronze (-NB)	776.00	776.00	776.00	1,276.00	1,276.00	1,412.00
				Polished Bronze (-PB)	754.00	754.00	754.00	1,239.00	1,239.00	1,406.00
APPROX WT. LBS.				14	15	19	25	28	32	

REGULARLY FURNISHED: Duco Cast Iron Cleanout with Square Adjustable Secured Nickel Bronze Top with 1/2" Terrazzo Recess. Closure Plug Type as Indicated By Figure Number Selected.

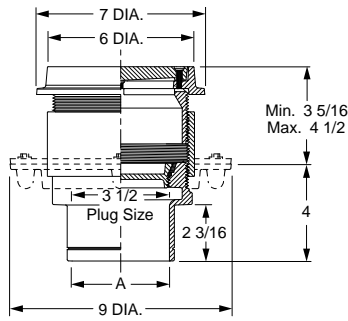
- ** 6 & 8" Available w/Bronze Taper Plug Only.
- 5, 6 & 8" Not Available w/Inside Caulk Outlet.
- * Speedi-Set Outlet Available with 2, 3, 4, 6 or 8" Connection Only. Specify Service Weight (L), Extra Heavy (LXH) or PVC (LPVC). LPVC applies to 6" pipe size only.
- Spigot Ferrules are Suitable for use with No-Hub Connections.
- ♦ 5" Available w/Spigot Outlet Only.



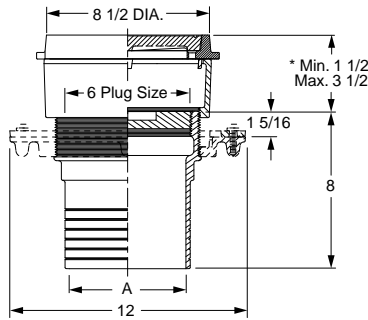
CLEANOUTS

FIG. 4220 SERIES FINISHED FLOOR CLEANOUTS W/ADJUSTABLE ROUND HEAVY DUTY TOPS

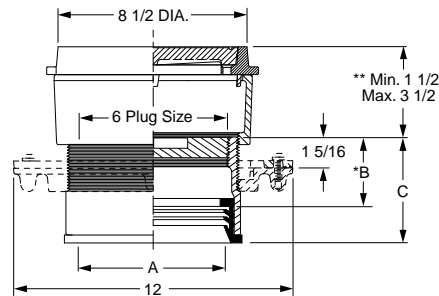
FUNCTION: Used in floors and areas where appearance of cast iron is satisfactory. Will withstand heavy load traffic.



**4220 Series
2" - 5" Sizes**



**4223 Series
6" & 8" Sizes**



**4233 Series
6" & 8" Sizes**

A	B	C
SIZE		
06	*3	4 9/16
08	*3 1/4	4 13/16

OPTIONS:		ADD
-DX	Wide Flange	352.00
-F	Flange	N/C
-FC	Flange w/Flashing Clamp	64.00
-G	Galvanized CI	146.00
-IP	Iron Plug (In lieu of ABS).....	58.00
-M	Ductile Iron Cover	225.00
-U	Vandal Proof Screws	69.00

REPLACEMENT COVERS:		LIST
4220-4-NS		268.00
4220-6-NS		430.00
4220-4M-NS.....		450.00
4220-6M-NS.....		612.00

NOTE: When Flange -F is specified, Min. 1 1/2" becomes 2"

WITH ABS PLUG	SPIGOT* OUTLET	INSIDE CAULK OUTLET	SPEEDI- SET* OUTLET	A - OUTLET SIZE						
				COVER MATERIAL	02"	03"	04"	♦05"	**06"	**08"
Gasket Seal Plug	4220S	4225C	4231L	†Cast Iron (-CI)	387.00	387.00	387.00	712.00	-	-
Taper Thread Plug	4224S	4229C	4234L							

WITH BRZ PLUG	SPIGOT* OUTLET	INSIDE CAULK OUTLET	SPEEDI- SET* OUTLET	A - OUTLET SIZE						
				COVER MATERIAL	02"	03"	04"	♦05"	**06"	**08"
Gasket Seal Plug	4221S	4226C	4232L	†Cast Iron (-CI)	502.00	502.00	502.00	827.00	952.00	1,090.00
Taper Thread Plug	**4223S	4228C	**4233L							
APPROX WT. LBS.					14	15	19	25	28	32

REGULARLY FURNISHED: Duco Cast Iron Cleanout with Round Adjustable Scoriated Secured Cast Iron Top. Closure Plug Type as Indicated By Figure Number Selected.

- **6 & 8" Available w/Bronze Taper Plug Only.
- 5, 6 & 8" Not Available w/Inside Caulk Outlet.
- * Speedi-Set Outlet Available with 2, 3, 4, 6 or 8" Connection Only. Specify Service Weight (L), Extra Heavy (LXH) or PVC (LPVC). LPVC applies to 6" pipe size only.
- Spigot Ferrules are Suitable for use with No-Hub Connections.
- ♦ 5" Available w/Spigot Outlet Only.

CLEANOUTS

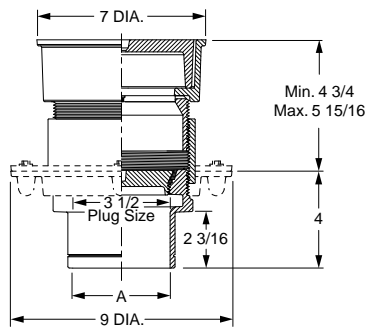


CLEANOUTS

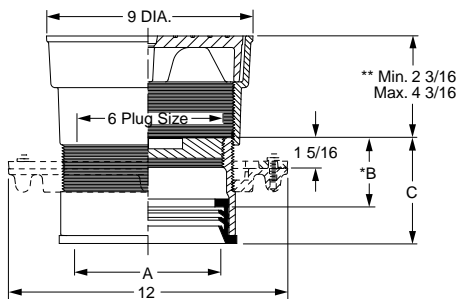
FIG. 4240 SERIES UNFINISHED FLOOR CLEANOUTS W/ADJUSTABLE ROUND CAST IRON TOP W/TRACTOR COVER



FUNCTION: Used in unfinished areas where a loose set, non-tilt tractor cover is desired. Will withstand heavy load traffic.



4240 Series
2" - 5" Sizes



4239 Series
6" & 8" Sizes

A	B	C
06	*3	4 9/16
08	*3 1/4	4 13/16

OPTIONS:

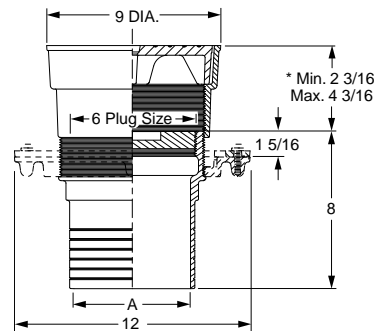
-CSS	Center Securing Screw	58.00
-DX	Wide Flange	352.00
-F	Flange	N/C
-FC	Flange w/Flashing Clamp	64.00
-G	Galvanized CI	146.00
-IP	Iron Plug (In lieu of ABS)	58.00
-M	Ductile Iron Cover	225.00
-U	VP Center Securing Screw	69.00

ADD

REPLACEMENT COVERS:

4240-4-NS	268.00
4240-6-NS	430.00
4240-4M-NS	450.00
4240-6M-NS	612.00
4240-4NBT-NS	379.00
4240-6NBT-NS	569.00
4240-4PBT-NS	344.00
4240-6PBT-NS	531.00

LIST



4243 Series
6" & 8" Sizes

NOTE: When Flange -F is specified, Min. 2 3/16" becomes 2 11/16"

WITH ABS PLUG	SPIGOT• OUTLET	INSIDE CAULK OUTLET	SPEEDI- SET* OUTLET	A - OUTLET SIZE						
				COVER MATERIAL	02"	03"	04"	*05"	**06"	**08"
Gasket Seal Plug	4240S	4245C	4237L	†Duco Cast Iron (-CI)	256.00	296.00	364.00	614.00	-	-
				Nickel Bronze (-NB)	446.00	486.00	554.00	985.00	-	-
				Polished Bronze (-PB)	408.00	448.00	516.00	948.00	-	-
Taper Thread Plug	4244S	4249C	4236L	†Duco Cast Iron (-CI)	321.00	439.00	466.00	614.00	-	-
				Nickel Bronze (-NB)	433.00	603.00	629.00	985.00	-	-
				Polished Bronze (-PB)	416.00	578.00	605.00	948.00	-	-
WITH BRZ PLUG	SPIGOT• OUTLET	INSIDE CAULK OUTLET	SPEEDI- SET* OUTLET	A - OUTLET SIZE						
				COVER MATERIAL	02"	03"	04"	*05"	**06"	**08"
Gasket Seal Plug	4241S	4246C	4238L	†Duco Cast Iron (-CI)	373.00	415.00	482.00	729.00	1,069.00	1,232.00
				Nickel Bronze (-NB)	541.00	583.00	672.00	1,100.00	1,443.00	1,717.00
				Polished Bronze (-PB)	505.00	547.00	634.00	1,063.00	1,407.00	1,680.00
Taper Thread Plug	**4243S	4248C	**4239L	†Duco Cast Iron (-CI)	434.00	552.00	579.00	729.00	1,069.00	1,232.00
				Nickel Bronze (-NB)	546.00	716.00	742.00	1,100.00	1,443.00	1,717.00
				Polished Bronze (-PB)	529.00	691.00	718.00	1,063.00	1,407.00	1,680.00
APPROX WT. LBS.				15	18	20	29	32	36	

REGULARLY FURNISHED: Duco Cast Iron Cleanout with Round Adjustable Scoriated Cast Iron Top with Non-Tilt Tractor Cover. Closure Plug Type as Indicated by Figure Number Selected.

**6 & 8" Available w/Bronze Taper Plug Only.

5, 6 & 8" Not Available w/Inside Caulk Outlet.

* Speedi-Set Outlet Available with 2, 3, 4, 6 or 8" Connection Only. Specify Service Weight (L), Extra Heavy (LXH) or PVC (LPVC). LPVC applies to 6" pipe size only.

• Spigot Ferrules are Suitable for use with No-Hub Connections.

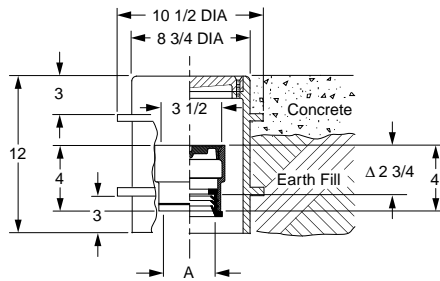
♦ 5" Available w/Spigot Outlet Only.



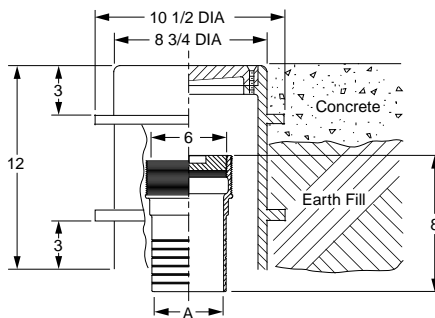
CLEANOUTS

FIG. 4250 SERIES UNFINISHED FLOOR CLEANOUTS ROUND FLANGED HOUSING WITH HEAVY DUTY CAST IRON COVER

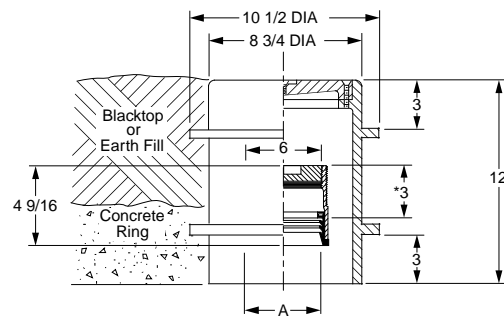
FUNCTION: Used in outside and inside areas. High flange permits use in areas surfaced with concrete or other poured materials. Low flange is used with a ring of concrete poured below the surface for non-surfaced areas and areas surfaced with asphalt paving. Housing is completely free of piping so that no loading is transmitted to the pipe.



4250 Series
2" - 5" Sizes



4253 Series
6" & 8" Sizes



4263 Series
6" & 8" Sizes

OPTIONS:

	ADD
-G Galvanized CI	471.00
-GH Galv CI Housing Only	338.00
-IP Iron Plug (In lieu of ABS).....	58.00
-M Ductile Iron Cover	279.00
-U Vandal Proof Screws	58.00
Cover Cast W/"Gas Shut Off" (-GSO) or "Water Shut Off" (-WSO).....	117.00
4880 Housing Only	847.00

WITH ABS PLUG	SPIGOT• OUTLET	INSIDE CAULK OUTLET	SPEEDI- SET* OUTLET	A - OUTLET SIZE						
				COVER MATERIAL	02"	03"	04"	♦05"	**06"	**08"
Gasket Seal Plug***	4250S	4255C	4261L	†Duco Cast Iron (-CI)	953.00	988.00	996.00	1,143.00	-	-
Taper Thread Plug	4254S	4259C	4264L	Nickel Bronze (-NB)	1,329.00	1,364.00	1,373.00	1,520.00		
				Polished Bronze (-PB)	1,293.00	1,329.00	1,337.00	1,484.00		
WITH BRZ PLUG	SPIGOT• OUTLET	INSIDE CAULK OUTLET	SPEEDI- SET* OUTLET	A - OUTLET SIZE						
				COVER MATERIAL	02"	03"	04"	♦05"	**06"	**08"
Gasket Seal Plug	4251S	4256C	4262L	†Duco Cast Iron (-CI)	1,069.00	1,105.00	1,113.00	1,261.00	1,604.00	1,888.00
Taper Thread Plug	**4253S	4258C	Δ**4263L	Nickel Bronze (-NB)	1,446.00	1,481.00	1,490.00	1,639.00	1,983.00	2,267.00
				Polished Bronze (-PB)	1,410.00	1,445.00	1,454.00	1,603.00	1,947.00	2,231.00
APPROX WT. LBS.					31	33	35	42	49	61

REGULARLY FURNISHED: Duco Cast Iron Cleanout and Double Flanged Housing with Heavy Duty Secured Scoriated Cast Iron Cover with Lifting Device. Closure Plug and Type of Outlet as Indicated By Figure Number Selected.

- ** 6 & 8" Available w/Bronze Taper Plug Only.
- *** ABS Plug regularly furnished all outlets in 02, 03, and 04 inch sizes and 05 inch spigot.
- 5, 6 & 8" Not Available w/Inside Caulk Outlet.
- * Speedi-Set Outlet Available with 2, 3, 4, 6 or 8" Connection Only. Specify Service Weight (L), Extra Heavy (LXH) or PVC (LPVC). LPVC applies to 6" pipe size only.
- Spigot Ferrules are suitable for use with No-Hub Connections.
- ♦ 5" Available w/Spigot Outlet Only.
- Δ Not Available in 8".

CLEANOUTS

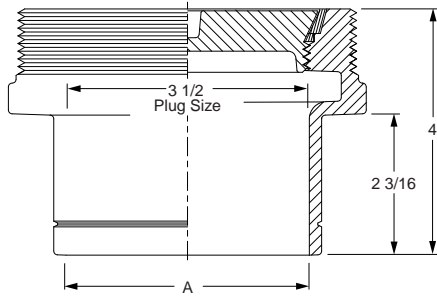


CLEANOUTS

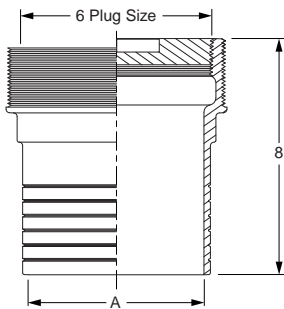
FIG. 4280 SERIES UNFINISHED FLOOR CLEANOUT BODIES WITH CLOSURE PLUG



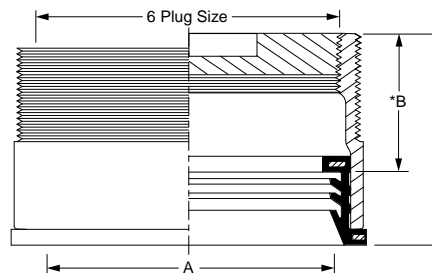
FUNCTION: Used where extension type cleanout is required. Not recommended for installation in floors or areas subjected to traffic unless access cover is provided.



**4280 Series
2" - 5" Sizes**



**4283 Series
6" & 8" Sizes**



**4293 Series
6" & 8" Sizes**

A SIZE	B	C
06	*3	4 9/16
08	*3 1/4	4 13/16

OPTIONS:

		ADD
-F	Flange	N/C
-FC	Flange w/Flashing Clamp	64.00
-G	Galvanized CI	146.00
-IP	Iron Plug (In lieu of ABS).....	58.00
-RHP	Raised Head Closure Plug.....	N/C
-TP	"T" Handle for Plug	47.00

(Bronze plug must be used when -TP is specified)

WITH ABS PLUG	SPIGOT• OUTLET	INSIDE CAULK OUTLET	SPEEDI- SET* OUTLET	A - OUTLET SIZE						
				COVER MATERIAL	02"	03"	04"	•05"	**06"	**08"
Gasket Seal Plug	4280S	4285C	4291L	†Duco Cast Iron (-CI)	107.00	143.00	149.00	296.00	-	-
Taper Thread Plug	4284S	4289C		†Duco Cast Iron (-CI)	99.00	125.00	155.00	296.00	-	-
WITH BRZ PLUG	SPIGOT• OUTLET	INSIDE CAULK OUTLET	SPEEDI- SET* OUTLET	A - OUTLET SIZE						
				COVER MATERIAL	02"	03"	04"	•05"	**06"	**08"
Gasket Seal Plug	4281S	4286C	4292L	†Duco Cast Iron (-CI)	222.00	259.00	266.00	415.00	760.00	1,043.00
Taper Thread Plug	**4283S	4288C	**4293L	†Duco Cast Iron (-CI)	212.00	238.00	268.00	415.00	437.00	1,043.00
APPROX WT. LBS.					6	7	11	15	16	20

REGULARLY FURNISHED: Duco Cast Iron Cleanout with Closure Plug Type as Indicated by Figure Number Selected.

** 6 & 8" Available w/Bronze Taper Plug Only.

5, 6 & 8" Not Available w/Inside Caulk Outlet.

* Speedi-Set Outlet Available with 2, 3, 4, 6 or 8" Connection Only. Specify Service Weight (L), Extra Heavy (LXH) or PVC (LPVCE). LPVC applies to 6" pipe size only.

• Spigot Ferrules are Suitable for use with No-Hub Connections.

◆ 5" Available w/Spigot Outlet Only.



CLEANOUTS

FIG. 4313, 4318 MULTI-PURPOSE FLOOR CLEANOUTS W/ INTERNAL CLOSURE PLUG AND ROUND ADJUSTABLE CAST IRON TOP



FUNCTION: Used in areas where a large access cover is desirable and the appearance of cast iron is satisfactory. Non-Tilt cover Fig. 4318 shown below should be used for heavy load traffic. Allows easy floor level adjustment.

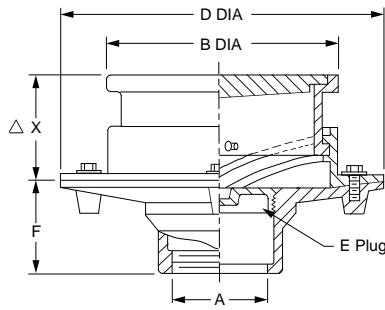


Fig. 4313
Medium Duty Top

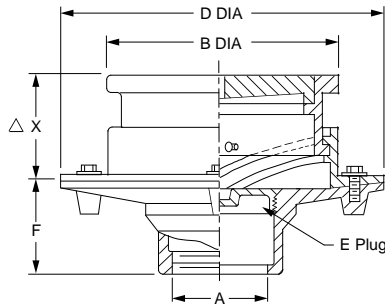


Fig. 4318
Heavy Duty Top

OUTLET VARIATIONS (Specify type of outlet and pipe size in inches.)

Outlet Type	Outlet Designation	ADD
Inside Caulk	C02, C03, C04	N/C
Threaded	T02, T03, T04	N/C
No-Hub	Y02, Y03, Y04	See Fig 2646Y

OPTIONS:	ADD
-G Galvanized CI	320.00
-M Ductile Iron Cover (4318)	263.00
-RT Recessed for Tile	213.00
-S Square Top, CI	196.00
-SEC Secured Cover	96.00
-SNB Square Top, add to CI	491.00
-SPB Square Top, add to CI	417.00
-TP "T" Handle for Plug	47.00
-U Vandal Proof Screws	111.00

A OUTLET SIZE	B TOP DIA	D FLANGE DIA	E PLUG SIZE	F	ΔX		†DUCCO CAST IRON (-CI)	NICKEL BRONZE (-NB)	POLISHED BRONZE (-PB)	APPROX. WEIGHT LBS
02"	8 1/2"	12"	3 1/2"	4"	3 1/2"	4 1/2"	907.00	1,326.00	1,259.00	35
03"	8 1/2"	12"	4"	4"	3 1/2"	4 1/2"	907.00	1,326.00	1,259.00	35
04"	8 1/2"	12"	5"	4"	3 1/2"	4 1/2"	934.00	1,356.00	1,291.00	35

REGULARLY FURNISHED: Round Adjustable Top with Scoriated Loose Set Cast Iron Cover, Taper Thread Bronze Closure Plug and Flashing Collar.

Δ Add 1/4" when bronze top is specified

CLEANOUTS



CLEANOUTS

FIG. 4333, 4338 MULTI-PURPOSE FLOOR CLEANOUTS W/ INTERNAL CLOSURE PLUG AND ROUND NON-ADJUSTABLE CAST IRON TOP



FUNCTION: Used in areas where a large access cover is desirable and the appearance of cast iron is satisfactory. Non-Tilt cover Fig. 4338 shown below should be used for heavy load traffic.

OUTLET VARIATIONS (Specify type of outlet and pipe size in inches.)

Outlet Type	Outlet Designation	Outlet Type/Pipe Size	ADD
Inside Caulk	C02, C03, C04	N/C
Threaded	T02, T03, T04	N/C
No-Hub	Y02, Y03, Y04	See Fig 2646Y

OPTIONS:	ADD
-G Galvanized CI	320.00
-M Ductile Iron Cover (4338)	263.00
-RT Recessed for Tile	213.00
-S Square Top, CI	196.00
-SEC Secured Cover	96.00
-SNB Square Top, add to CI	491.00
-SPB Square Top, add to CI	417.00
-TP "T" Handle for Plug	47.00
-U Vandal Proof Screws	111.00

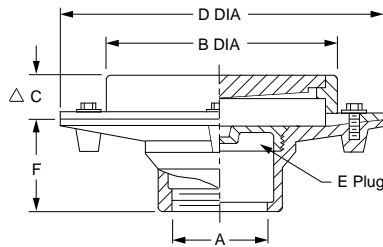


Fig. 4333
Medium Duty Top

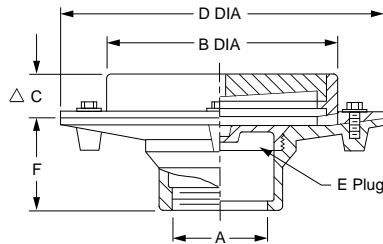


Fig. 4338
Heavy Duty Top

A OUTLET SIZE	B TOP DIA	ΔC	D FLANGE DIA	E PLUG SIZE	F	†DUCO CAST IRON (-CI)	NICKEL BRONZE (-NB)	POLISHED BRONZE (-PB)	APPROX. WEIGHT LBS
02"	8 1/2"	1 5/8"	12"	3 1/2"	4"	731.00	1,133.00	1076.00	33
03"	8 1/2"	1 5/8"	12"	4"	4"	731.00	1,133.00	1076.00	33
04"	8 1/2"	1 5/8"	12"	5"	4"	759.00	1,700.00	1309.00	33

REGULARLY FURNISHED: Duco Cast Iron Body with Scoriated Loose Set Cast Iron Cover, Taper Thread Bronze Closure Plug and Flashing Collar.

Δ Add 1/4" when bronze top is specified



CLEANOUTS

FIG. DX4343 WIDE FLANGE CAST IRON MULTI-PURPOSE FLOOR CLEANOUT W/ INTERNAL CLOSURE PLUG

FUNCTION: Used where a waterproof covering is to be applied and a wide area is required for bonding and/or support.

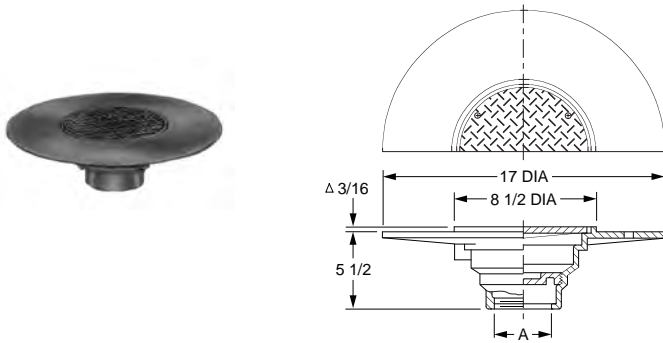


Fig. DX4343

OUTLET VARIATIONS (Specify type of outlet and pipe size in inches.)

Outlet Type	Outlet Designation	ADD
Inside Caulk	C02, C03, C04	N/C
Threaded	T02, T03, T04	N/C
No-Hub	Y02, Y03, Y04	See Fig 2646Y

OPTIONS:

-SH	Securing Holes in Flange	74.00
-U	Vandal Proof Cover	58.00

If Water-Proof Deck Covering thickness is greater (or less) than dimensions shown, the drain body should be set to compensate for the variation in thickness. Drain body should be set low enough to permit "dimpling" of area surrounding drain.

A OUTLET SIZE	TOP SIZE	†DUCO CAST IRON	DUCO CI PB TOP	DUCO CI NB TOP	APPROX. WEIGHT LBS
02, 03, 04"	8 1/2"	778.00	880.00	902.00	30

REGULARLY FURNISHED: Duco Cast Iron Body with Solid Secured Cover and Taper Thread Bronze Closure Plug.

FIG. 4400, 4402 CAULK FERRULE CLEANOUT LEAD SEAL PLUG W/ROUND ACCESS COVER

FUNCTION: Used in hub openings in drainage piping where a cleanout is required. The straight thread lead seal plug permits quick and easy removal. Grooves on outside of ferrule prevent turning. Face-of-wall cover is desirable on finished walls when ferrule is used in vertical piping.

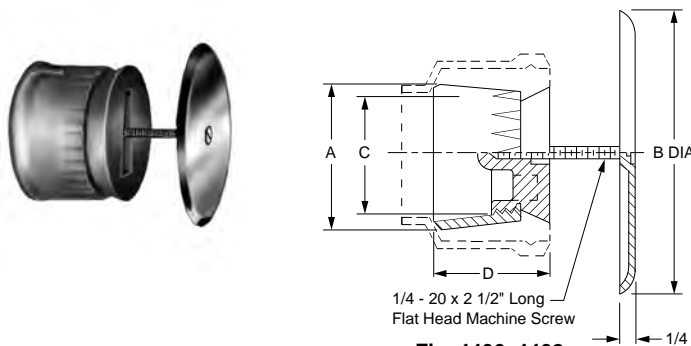


Fig. 4400, 4402

OPTIONS:

	ADD
-BP Cast Bronze Lead Seal Plug	
02, 03, 04, 05"	115.00
06, 08"	366.00
-LSS 6" Long Center Screw	32.00
-TP "T" Handle for Plug	47.00
-U Vandal Proof Screw	58.00

LESS COVER	PLUG MATERIAL		A - PIPE SIZE:	02"	03"	04"	05"	06"
4400CI	CI Ferrule and CI Plug			109.00	109.00	109.00	187.00	362.00
4400AB	All Bronze			199.00	238.00	349.00	530.00	679.00
WITH COVER	PLUG MATERIAL	COVER MATERIAL	A - PIPE SIZE:	02"	03"	04"	05"	06"
4402	CI Ferrule and CI Plug	†Stainless Steel (-SS)	B - COVER SIZE DIA:	4 1/4"	5 1/2"	5 1/2"	7"	9 1/4"
		Prime Coated Steel (-PC)		113.00	113.00	206.00	292.00	559.00
		Polished Bronze (-PB)		115.00	148.00	182.00	266.00	417.00
				121.00	121.00	216.00	266.00	584.00
			C - SIZE	1 1/2"	2 1/2"	3 1/2"	4 1/2"	5 1/2"
			D	2 1/2"	2 3/4"	3"	3"	3"
			APPROX WT. LBS.	3	4	6	8	10

REGULARLY FURNISHED: Duco Cast Iron Caulk Ferrule and Cast Iron Lead Seal Plug with Stainless Steel Round Cover and Screw when indicated by Fig. Number.

CLEANOUTS

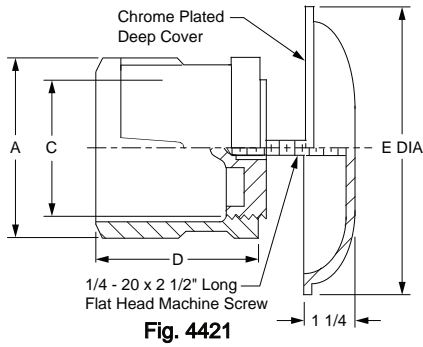


CLEANOUTS

FIG. 4420-4422 SERIES CAULK FERRULE CLEANOUT TAPER THREAD PLUG W/ROUND ACCESS COVER



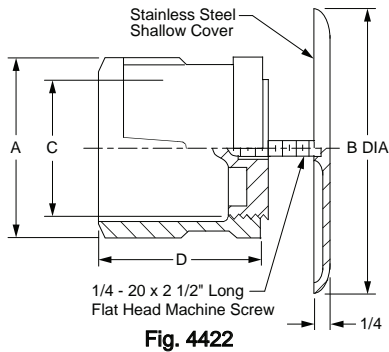
FUNCTION: Used in hub openings in drainage piping where a cleanout is required. Ribbing on outside of ferrule prevents turning of ferrule in the caulking lead. Face-of-wall cover is desirable on finished walls.



OPTIONS:

-LSS	6" Long Center Screw.....	32.00
-TP	"T" Handle for Plug	47.00
-U	Vandal Proof Screw	58.00

ADD



LESS COVER	PLUG MATERIAL		A - PIPE SIZE:	Δ02"	Δ03"	Δ04"	05"	06"	08"
4420CI	CI Ferrule and Brz Plug			222.00	222.00	222.00	627.00	627.00	940.00
4420BRZ	All Bronze			POA	POA	POA	POA	POA	POA
WITH DEEP COVER	PLUG MATERIAL	COVER MATERIAL	A - PIPE SIZE: B - COVER SIZE DIA:	Δ02"	Δ03"	Δ04"	05"	06"	08"
4421	CI Ferrule and Brz Plug	†Chrome Plated (CP)	4 1/4" 5 1/2" 5 1/2" 7" 9 1/4" 11 1/4"	263.00	296.00	330.00	393.00	613.00	970.00
		Stainless Steel (-SS)		363.00	363.00	363.00	797.00	797.00	1,110.00
WITH SHALLOW COVER	PLUG MATERIAL	COVER MATERIAL	A - PIPE SIZE: B - COVER SIZE DIA:	Δ02"	Δ03"	Δ04"	05"	06"	08"
4422	CI Ferrule and Brz Plug	†Stainless Steel (-SS)	4 1/4" 5 1/2" 5 1/2" 7" 9 1/4" 11 1/4"	226.00	226.00	319.00	824.00	824.00	1,230.00
		Prime Coated Steel (-PC)		226.00	226.00	319.00	824.00	824.00	1,230.00
		Polished Bronze (-PB)		234.00	234.00	329.00	849.00	849.00	1,275.00
			C - SIZE	1 1/2"	2 1/2"	3 1/2"	4"	5"	6"
			D	3 1/2"	3 3/4"	4 1/4"	4 1/4"	4 1/4"	4 1/2"
			E DIA	*7 1/4"	*7 1/4"	*7 1/4"	*7 1/4"	9 1/4"	11 1/4"
			APPROX WT. LBS.	5	8	13	16	21	26

*Die Formed SS Cover Only

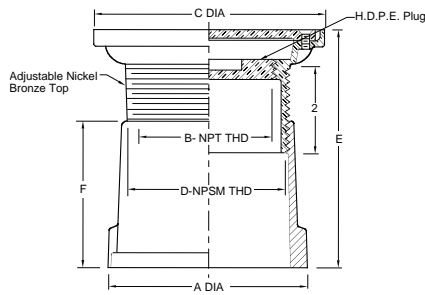
ΔSized for Service Weight and/or NO-HUB

REGULARLY FURNISHED: Duco Cast Iron Caulk Ferrule with Cast Bronze Taper Thread Plug with SS Round Cover and Screws. Type of Cover as Indicated by Figure Number Selected.



CLEANOUTS

FIG. 4429 ROUND ADJUSTABLE NICKEL BRONZE TOP



A (NOM)	B	C	D	E		F
				MIN	MAX	
02	1 1/2	4 1/4	2	5 3/8	6 3/4	4 1/2
03	2	4 1/2	2 1/2	3	4 3/8	2 1/4
04	3	5 3/4	3 1/2	3 1/2	5	2 1/2
06	3	5 3/4	3 1/2	4 1/2	6	3 5/8

4429C02NB	2" 4429 Caulk w/NB Top.....	298.00
4429C03NB	3" 4429 Caulk w/NB Top.....	340.00
4429C04NB	4" 4429 Caulk w/NB Top.....	387.00
4429C06NB	6" 4429 Caulk w/NB Top.....	449.00
4429C02PB	2" 4429 Caulk w/PB Top.....	273.00
4429C03PB	3" 4429 Caulk w/PB Top.....	317.00
4429C04PB	4" 4429 Caulk w/PB Top.....	365.00
4429C06PB	6" 4429 Caulk w/PB Top.....	425.00
4429Y02NB	2" 4429 No-Hub w/NB Top.....	298.00
4429Y03NB	3" 4429 No-Hub w/NB Top.....	340.00
4429Y04NB	4" 4429 No-Hub w/NB Top.....	387.00
4429Y06NBFB	6" 4429 No-Hub w/NB Top.....	449.00
4429Y02PB	2" 4429 No-Hub w/PB Top.....	273.00
4429Y03PB	3" 4429 No-Hub w/PB Top.....	317.00
4429Y04PB	4" 4429 No-Hub w/PB Top.....	365.00
4429Y06PBFB	6" 4429 No-Hub w/PB Top.....	425.00
4429L04NB	4" 4429 Speedi-Set SW w/NB Top.....	358.00
4429LX04NB	4" 4429 Speedi-Set XH w/NB Top.....	358.00
4429L04PB	4" 4429 Speedi-Set SW w/PB Top.....	338.00
4429LX04PB	4" 4429 Speedi-Set XH w/PB Top.....	338.00
	ADD FOR	
-U	Vandal Proof (add to NB Top).....	68.00
-U	Vandal Proof (add to PB Top).....	24.00

REGULARLY FURNISHED: Duco Cast Iron Ferrule and Adjustable Nickel Bronze top with Solid Scoriated Cover and H.D.P.E. Plug.

FIG. 4430, 4431 CAULK FERRULE CLEANOUT LEAD SEAL PLUG W/SQUARE FRAME AND COVER

FUNCTION: Used in hub openings in drainage piping where a cleanout is required. The straight thread lead seal plug permits quick and easy removal. Grooves on outside of ferrule prevent turning. Type of cover as indicated by figure number selected. Both covers are used to cover cleanouts concealed in walls. The square design is particularly adaptable to adjacent walls, floors, ceilings, etc., that are finished of material in straight line patterns. The anchoring lugs provide easy means for securing the frame to the wall construction. The face-of-wall (4430) cover is for tile, masonry, or dry wall construction, and is usually installed on an opening provided in the finished wall. The flush-with-wall (4431) cover is for plaster or wet wall construction and is installed during the wall construction.

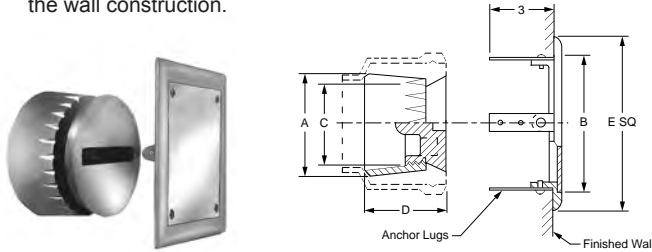


Fig. 4430

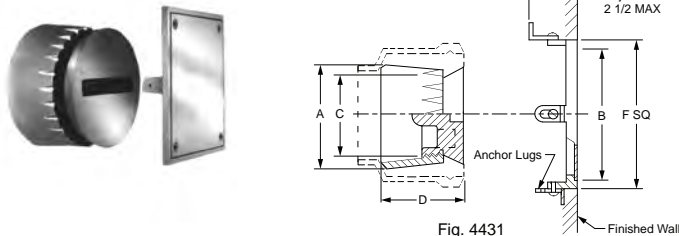


Fig. 4431

OPTIONS:	ADD	
-BB	Cast Bronze Ferrule and Plug.....	POA
-BP	Cast Bronze Lead Seal Plug	
	02, 03, 04, 05".....	117.00
	06, 08".....	373.00
-TH	Plug Tapped 1/4-20 w/T Handle for Plug.....	78.00
-U	Vandal Proof Screw.....	58.00
	Solid Scoriated Cover f/Flush Type Cover.....	See Fig 4439

		A - PIPE SIZE:	02"	03"	04"	05"	06"
4430	Face of Wall	COVER MATERIAL					
		†Chrome Plated (-CP)	460.00	496.00	530.00	778.00	848.00
		Nickel Bronze (-NB)	419.00	419.00	515.00	726.00	825.00
		Polished Bronze (-PB)	362.00	362.00	445.00	658.00	713.00
4431	Flush with Wall	COVER MATERIAL					
		†Chrome Plated (-CP)	460.00	496.00	530.00	778.00	848.00
		Nickel Bronze (-NB)	419.00	419.00	515.00	726.00	825.00
		Polished Bronze (-PB)	362.00	362.00	445.00	658.00	713.00
		C - SIZE	1 1/2"	2 1/2"	3 1/2"	4 1/2"	5 1/2"
		D	2 1/2"	2 3/4"	3"	3"	3"
		E SQ	7 3/4"	7 3/4"	7 3/4"	9 3/4"	9 3/4"
		F SQ	6 1/2"	6 1/2"	6 1/2"	8 1/2"	8 1/2"
		APPROX WT. LBS.	5	7	10	12	13

*Covers may be used with any of the above plugs

REGULARLY FURNISHED: Duco Cast Iron Caulk Ferrule with Cast Iron Lead Seal Plug, with Chrome Plated Bronze Square Frame and Secured Cover. Type of Cover as Indicated by Figure Number Selected.



CLEANOUTS

FIG. 4432, 4433 CAULK FERRULE CLEANOUT LEAD SEAL PLUG W/ROUND FRAME AND COVER



FUNCTION: Used to cover cleanout plugs concealed in walls. Round design eliminates necessity for lining up with adjacent floors, ceilings, moldings, etc. The anchoring lugs provide easy means for securing the frame to the wall construction. The face-of-wall cover (4432) is for tile, masonry, or dry wall construction and is usually installed on an opening provided in the finished wall. The flush-with-wall cover (4433) is for plaster or wet wall construction and is installed during wall construction.

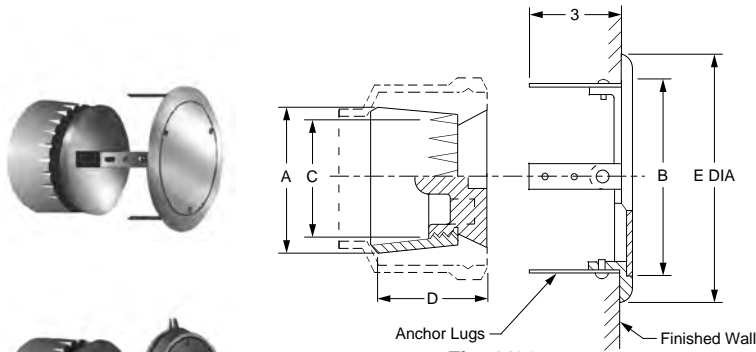


Fig. 4432

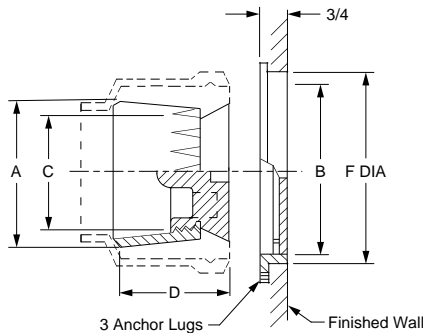


Fig. 4433

OPTIONS:

	ADD
-BB	Cast Bronze Ferrule and Plug POA
-BP	Cast Bronze Lead Seal Plug
	02, 03, 04, 05" 117.00
	06, 08" 373.00
-TH	Plug Tapped 1/4-20 w/T Handle for Plug 78.00
-U	Vandal Proof Screw 58.00
	Solid Scoriated Cover f/Flush Type Cover See Fig 4438

		COVER MATERIAL	A - PIPE SIZE:	02"	03"	04"	06"
			B - COVER SIZE DIA	4"	5 1/2"	6"	8"
4432	Face of Wall	†Chrome Plated (-CP)		298.00	334.00	367.00	664.00
		Nickel Bronze (-NB)		270.00	306.00	339.00	628.00
		Polished Bronze (-PB)		250.00	286.00	319.00	600.00
		COVER MATERIAL	A - PIPE SIZE:	02"	03"	04"	06"
			B - COVER SIZE DIA	4"	5 1/2"	6"	8"
4433	Flush with Wall	†Chrome Plated (-CP)		298.00	334.00	367.00	664.00
		Nickel Bronze (-NB)		270.00	306.00	339.00	628.00
		Polished Bronze (-PB)		250.00	286.00	319.00	600.00
			C - SIZE	1 1/2"	2 1/2"	3 1/2"	5 1/2"
			D	2 1/2"	2 3/4"	3"	3"
			E DIA	6"	7"	7"	10"
			F DIA	4 1/2"	5 3/4"	6 1/2"	8 1/2"
			APPROX WT. LBS.	8	12	17	20

*10" Face of Wall Cover Not Available with 4432

REGULARLY FURNISHED: Duco Cast Iron Caulk Ferrule with Cast Iron Lead Seal Plug. Chrome Plated Bronze Round Frame and Secured Cover. Type of Cover as Indicated by Figure Number Selected.



CLEANOUTS

FIG. 4434, 4435 CAULK FERRULE CLEANOUT TAPER THREAD PLUG W/SQUARE FRAME AND COVER



FUNCTION: Used to cover cleanout plugs concealed in walls. The square design is particularly adaptable to adjacent walls, floors, ceilings, etc., that are finished of material in straight line patterns. The anchoring lugs provide easy means for securing the frame to the wall construction. The face-of-wall cover (4434) is for tile, masonry, or dry wall construction and is usually installed on an opening provided in the finished wall. The flush-with-wall cover (4435) is for plaster or wet wall construction and is installed during the wall construction.

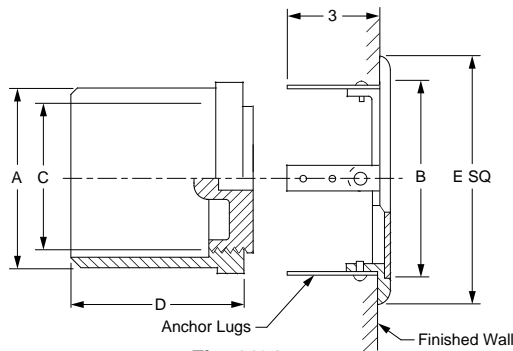


Fig. 4434

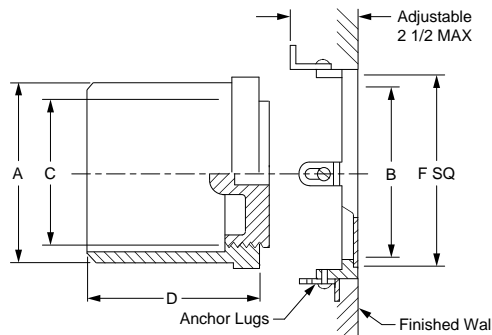


Fig. 4435

OPTIONS:

-BB	Cast Bronze Ferrule and Plug	POA
-TH	Plug Tapped 1/4-20 w/T Handle for Plug	78.00
-U	Vandal Proof Screw	58.00
	Solid Scoriated Cover f/Flush Type Cover	See Fig 4441

ADD

		COVER MATERIAL	A - PIPE SIZE:	Δ 02"	Δ 03"	Δ 04"	05"	06"	08"
4434	Face of Wall	†Chrome Plated (-CP)	B - COVER SIZE SQ:	6 x 6"	6 x 6"	6 x 6"	8 x 8"	8 x 8"	10 x 10"
		Nickel Bronze (-NB)		460.00	496.00	530.00	778.00	848.00	1,117.00
		Polished Bronze (-PB)		424.00	460.00	494.00	726.00	796.00	1,056.00
				412.00	448.00	482.00	709.00	779.00	1,046.00
			A - PIPE SIZE:	Δ 02"	Δ 03"	Δ 04"	05"	06"	08"
4435	Flush with Wall	†Chrome Plated (-CP)	B - COVER SIZE SQ:	6 x 6"	6 x 6"	6 x 6"	8 x 8"	8 x 8"	10 x 10"
		Nickel Bronze (-NB)		460.00	496.00	530.00	778.00	848.00	1,117.00
		Polished Bronze (-PB)		424.00	460.00	494.00	726.00	796.00	1,056.00
				412.00	448.00	482.00	709.00	779.00	1,046.00
			C - SIZE	1 1/2"	2 1/2"	3 1/2"	4 1/2"	5 1/2"	7 1/2"
			D	3 1/2"	3 3/4"	4 1/4"	4 1/4"	4 1/4"	4 1/2"
			E SQ	7 3/4"	7 3/4"	7 3/4"	9 3/4"	9 3/4"	11 3/4"
			F SQ	6 1/2"	6 1/2"	6 1/2"	8 1/2"	8 1/2"	10 1/2"
			APPROX WT. LBS.	5	7	10	12	13	26

*Covers may be used with any of the above plugs
 Δ Sized for Service Weight and/or NO-HUB

REGULARLY FURNISHED: Duco Cast Iron Caulk Ferrule with Cast Bronze Taper Thread Plug, Chrome Plated Bronze Square Frame and Secured Cover. Type of Cover as Indicated by Figure Number Selected.

CLEANOUTS



CLEANOUTS

FIG. 4436, 4437 CAULK FERRULE CLEANOUT TAPER THREAD PLUG W/ROUND FRAME AND COVER



FUNCTION: Used to cover cleanout plugs concealed in walls. Round design eliminates necessity for lining up with adjacent floors, ceilings, moldings, etc. The anchoring lugs provide easy means for securing the frame to the wall construction. The face-of-wall cover (4436) is for tile, masonry, or dry wall construction and is usually installed on an opening provided in the finished wall. The flush-with-wall cover (4437) is for plaster or wet wall construction and is installed during wall construction.

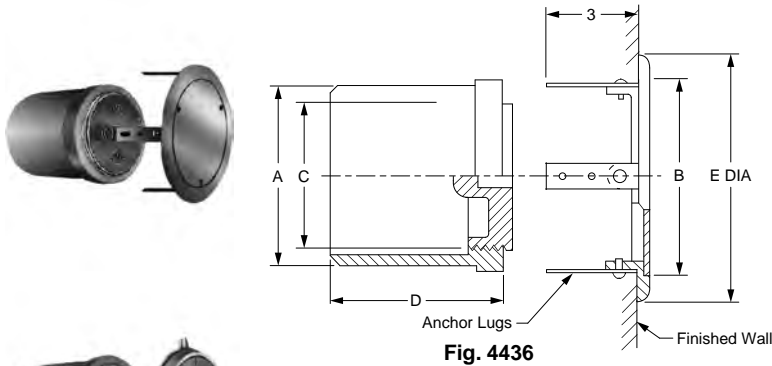


Fig. 4436

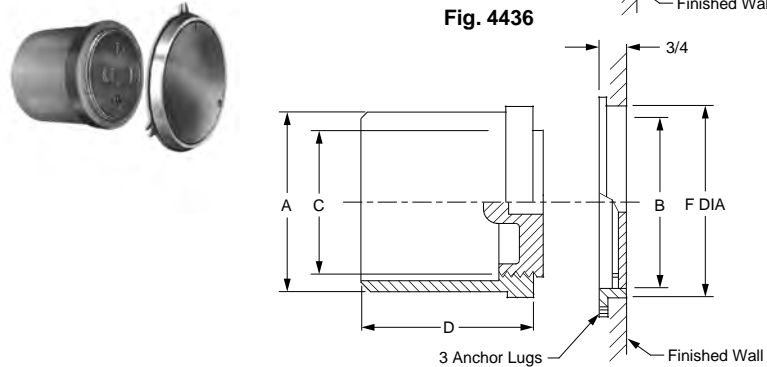


Fig. 4437

OPTIONS:

-BB	Cast Bronze Ferrule and Plug	ADD
-TH	Plug Tapped 1/4-20 w/T Handle for Plug	POA
-U	Vandal Proof Screw	78.00
	Solid Scoriated Cover f/Flush Type Cover	58.00
		See Fig 4440

		A - PIPE SIZE:	Δ02"	Δ03"	Δ04"	05"	06"	*08"
	COVER MATERIAL	B - COVER SIZE DIA:	4"	5 1/2"	6"	6"	8"	10"
4436	Face of Wall	†Chrome Plated (-CP)	298.00	334.00	367.00	428.00	664.00	1,139.00
		Nickel Bronze (-NB)	270.00	306.00	339.00	400.00	628.00	1,011.00
		Polished Bronze (-PB)	250.00	286.00	319.00	380.00	600.00	945.00
		A - PIPE SIZE:	Δ02"	Δ03"	Δ04"	05"	06"	*08"
	COVER MATERIAL	B - COVER SIZE DIA:	4"	5 1/2"	6"	6"	8"	10"
4437	Flush with Wall	†Chrome Plated (-CP)	298.00	334.00	367.00	428.00	664.00	1,139.00
		Nickel Bronze (-NB)	270.00	306.00	339.00	400.00	628.00	1,011.00
		Polished Bronze (-PB)	250.00	286.00	319.00	380.00	600.00	945.00
	C - SIZE		1 1/2"	2 1/2"	3 1/2"	4 1/2"	5 1/2"	7 1/2"
	D		3 1/2"	3 3/4"	4 1/4"	4 1/4"	4 1/4"	4 1/2"
	E DIA		6"	7"	7"	7"	10"	-
	F DIA		4 1/2"	5 3/4"	6 1/2"	6 1/2"	8 1/2"	10 1/2"
	APPROX WT. LBS.		8	12	17	19	20	25

ΔSized for Service Weight and/or NO-HUB

REGULARLY FURNISHED: Duco Cast Iron Caulk Ferrule with Cast Bronze Taper Thread Plug. Chrome Plated Bronze Round Frame and Secured Cover. Type of Cover as Indicated by Figure Number Selected.



CLEANOUTS

FIG. 4438, 4439 CAULK FERRULE CLEANOUT LEAD SEAL PLUG W/FRAME AND SCORIATED COVER



FUNCTION: Used in hub openings where a floor or wall cover is required. Ribbing on outside of ferrule prevents turning of ferrule in the caulking lead.

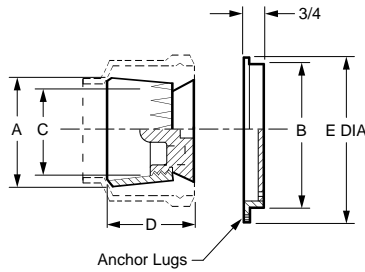


Fig. 4438

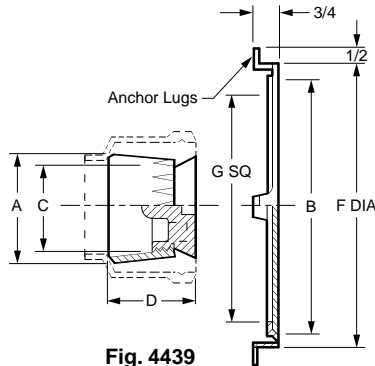


Fig. 4439

OPTIONS:

-BB	Cast Bronze Ferrule	POA
-BP	Cast Bronze Lead Seal Plug 02, 03, 04, 05"	117.00
	06, 08"	373.00
-TH	Plug Tapped 1/4-20 Thread w/T Handle for Plug	78.00
-U	Vandal Proof Screw	58.00
	Cover Drilled in Center and Furnished with 1/4-20 x 2 1/2" Long Screw	84.00

ADD

			A - PIPE SIZE:	02"	03"	04"	05"	06"
			B - COVER SIZE DIA:	4"	5 1/2"	6"	6"	8"
4438	Flush Type Cover	COVER MATERIAL						
		Chrome Plated (-CP)		299.00	334.00	368.00	430.00	664.00
		†Nickel Bronze (-NB)		347.00	347.00	347.00	402.00	1,007.00
		Polished Bronze (-PB)		330.00	330.00	330.00	381.00	958.00
			A - PIPE SIZE:	02"	03"	04"	05"	06"
			B - COVER SIZE SQ:	6 x 6"	6 x 6"	6 x 6"	8 x 8"	8 x 8"
4439	Flush Type Cover	COVER MATERIAL						
		Chrome Plated (-CP)		424.00	458.00	492.00	726.00	796.00
		†Nickel Bronze (-NB)		424.00	458.00	492.00	726.00	796.00
		Polished Bronze (-PB)		376.00	410.00	444.00	657.00	727.00
			C - SIZE	1 1/2"	2 1/2"	3 1/2"	4 1/2"	5 1/2"
			D	2 1/2"	2 3/4"	3"	3"	3"
			E DIA	4 1/2"	5 3/4"	6 1/2"	6 1/2"	8 1/2"
			F SQ	7"	7"	7"	9"	9"
			G SQ	5 1/2"	5 1/2"	5 1/2"	7 1/2"	7 1/2"

REGULARLY FURNISHED: Duco Cast Iron Caulk Ferrule with Cast Iron Lead Seal Plug and Secured Scoriated Nickel Bronze Cover and Frame with Anchor Lugs. Type of Cover as Indicated by Figure Number Selected.

CLEANOUTS



CLEANOUTS

FIG. 4440, 4441 CAULK FERRULE CLEANOUT TAPER THREAD PLUG W/FRAME AND SCORIATED COVER



FUNCTION: Used in hub openings where a floor or wall cover is required. Face-of-Wall or Flush-with-Wall Cover available with finished wall.

Same as 4438 and 4439 but with Taper Thread Plug

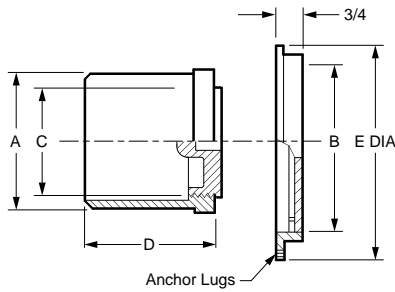


Fig. 4440

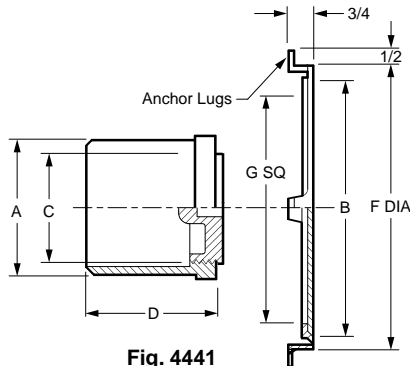


Fig. 4441

OPTIONS:

- BB Cast Bronze Ferrule.....POA
 - TH Plug Tapped 1/4-20 Thread w/T Handle for Plug.....78.00
 - U Vandal Proof Screw58.00
- Cover Drilled in Center and Furnished with 1/4-20 x 2 1/2" Long Screw.....84.00
- Smooth Cover for Flush-Type Cover.....See Fig 4435, 4437

ADD

		A - PIPE SIZE:	Δ02"	Δ03"	Δ04"	05"	06"	08"
		B - COVER SIZE DIA:	4"	5 1/2"	6"	6"	8"	10"
4440	Flush Type Cover	COVER MATERIAL						
		Chrome Plated (-CP)	299.00	334.00	368.00	430.00	664.00	1,140.00
		†Nickel Bronze (-NB)	347.00	347.00	347.00	402.00	1,007.00	1,353.00
		Polished Bronze (-PB)	330.00	330.00	330.00	381.00	958.00	1,285.00
		A - PIPE SIZE:	02"	03"	04"	05"	06"	08"
		B - COVER SIZE SQ:	6 x 6"	6 x 6"	6 x 6"	8 x 8"	8 x 8"	10 x 10"
4441	Flush Type Cover	COVER MATERIAL						
		Chrome Plated (-CP)	424.00	459.00	494.00	726.00	796.00	1,056.00
		†Nickel Bronze (-NB)	424.00	459.00	494.00	726.00	796.00	1,056.00
		Polished Bronze (-PB)	376.00	411.00	446.00	657.00	727.00	985.00
		C - SIZE	1 1/2"	2 1/2"	3 1/2"	4 1/2"	5 1/2"	7 1/2"
		D	3 1/2"	3 3/4"	4 1/4"	4 1/4"	4 1/4"	4 1/2"
		E DIA	4 1/2"	5 3/4"	6 1/2"	6 1/2"	8 1/2"	10 1/2"
		F SQ	7"	7"	7"	9"	9"	11"
		G SQ	5 1/2"	5 1/2"	5 1/2"	7 1/2"	7 1/2"	9 1/2"

ΔSized for Service Weight and/or NO-HUB

REGULARLY FURNISHED: Duco Cast Iron Caulk Ferrule with Cast Bronze Taper Thread Plug and Secured Scoriated Nickel Bronze Cover and Frame with Anchor Lugs. Type of Cover as Indicated by Figure Number Selected.



CLEANOUTS



FIG. 4450, 4452 CAULK FERRULE CLEANOUT FULL CALIBER FERRULE TAPER THREAD PLUG W/ROUND COVER

FUNCTION: Used in hub openings in drainage piping where a cleanout is required. Plug size equals ferrule size. Face-of-Wall cover is desirable on finished walls.

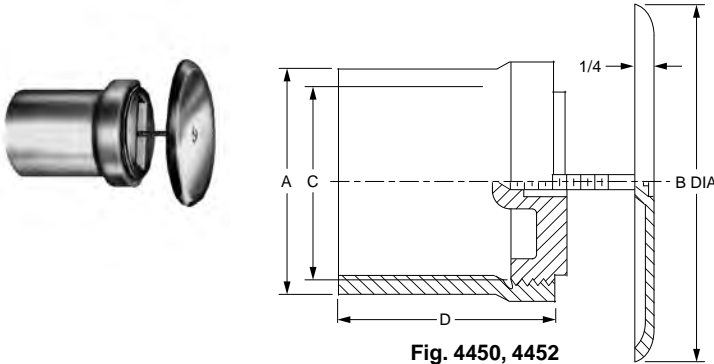


Fig. 4450, 4452

OPTIONS:	ADD
-LSS 6" Long Center Screw.....	32.00
-TH Plug Tapped 1/4-20 Thread w/T Handle for Plug.....	78.00
-U Vandal Proof Screw	58.00

LESS COVER	CLEANOUT MATERIAL		A - PIPE SIZE:	02"	03"	04"
4450	†CI Ferrule and Bronze Plug			113.00	113.00	206.00
	All Bronze			POA	POA	POA
WITH COVER	CLEANOUT MATERIAL	COVER MATERIAL	A - PIPE SIZE:	02"	03"	04"
4452	†CI Ferrule and Bronze Plug	†Stainless Steel (-SS)	B - COVER SIZE DIA:	4 1/4"	5 1/2"	7"
		Prime Coated Steel (-PC)		113.00	113.00	206.00
		Polished Bronze (-PB)		168.00	201.00	316.00
				121.00	121.00	216.00
		C - SIZE		2 1/2"	3"	4"
		D		3 1/2"	3 3/4"	4 1/4"
		APPROX WT. LBS.		5	8	13

REGULARLY FURNISHED: Duco Cast Iron Full Caliber Caulk Ferrule with Cast Bronze Taper Thread Plug, with Stainless Steel Round Cover and Screw as Indicated by Figure Number Selected.

FIG. 4470, 4472 TAPER THREAD PLUG WITH ROUND COVER

FUNCTION: Used in female pipe size openings in drainage piping where a cleanout is required. Countersunk plugs have slot sized to receive 1/2" thick steel bar stock. Face-of-wall cover is desirable on finished walls.

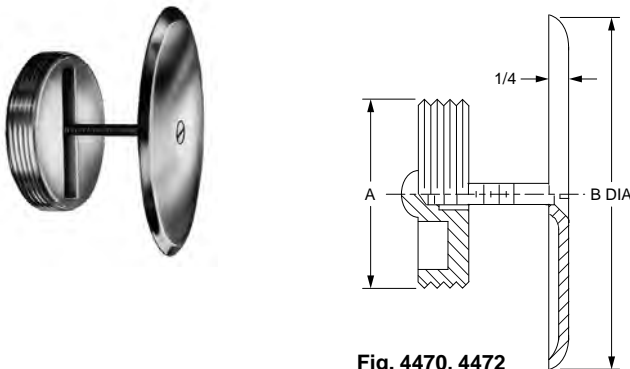


Fig. 4470, 4472

OPTIONS:	ADD
-LSS 6" Long Center Screw.....	32.00
-TH Plug Tapped 1/4-20 Thread w/T Handle for Plug.....	78.00
-U Vandal Proof Screw	58.00

LESS COVER	PLUG MATERIAL	A - PLUG SIZE:	015"	02"	0250"	03"	0350"	04"	05"	06"	08"	10"
4470	†Bronze Plug		35.00	46.00	58.00	137.00	137.00	137.00	157.00	317.00	348.00	650.00
WITH COVER	COVER MATERIAL	B - COVER SIZE DIA:	4 1/4"	4 1/4"	4 1/4"	5 1/2"	5 1/2"	5 1/2"	7"	9 1/4"	11 1/4"	11 1/4"
4472	†Stainless Steel (-SS)		111.00	122.00	132.00	208.00	208.00	241.00	261.00	526.00	652.00	941.00
	Prime Coated Steel (-PC)		85.00	88.00	98.00	151.00	151.00	161.00	235.00	376.00	701.00	915.00
	Polished Bronze (-PB)		97.00	106.00	118.00	184.00	184.00	212.00	235.00	460.00	638.00	915.00
		APPROX WT. LBS.	2	2	3	3	5	5	7	8	11	12

REGULARLY FURNISHED: Cast Bronze Taper Thread Plug with Stainless Steel Round Cover and Screw as indicated by Figure Number.

CLEANOUTS

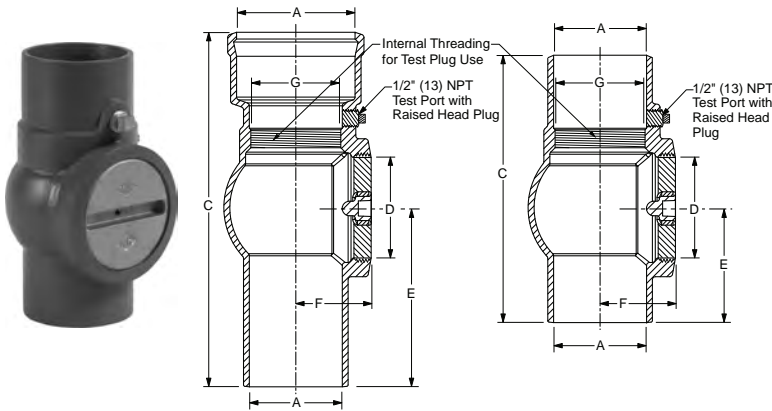


CLEANOUTS

FIG. 4505 THE BOSS TEE - VERTICAL CLEANOUT AND TEST TEE



FUNCTION: Used in concealed drainage lines where a cleanout is desired that allows the testing of piping above through the use of an internal threading inside the tee.



OUTLET VARIATIONS (Specify type of outlet and pipe size in inches.)

Outlet Type	Outlet Designation	Outlet Type/Pipe Size	
Spigot	S03, S04		POA
	S06		POA
No-Hub	Y03, Y04		POA
	Y06		POA

REGULARLY FURNISHED: Ductile Cast Iron Cleanout Tee with Internal Threading, 1/2 NPT Test Port with Raised Head Plug and Countersunk Taper Threaded Bronze Plug.

FIG. 4510, 4530 SERIES CLEANOUT TEE W/COUNTERSUNK PLUG AND ROUND ACCESS COVER

FUNCTION: Used in concealed drainage lines where a cleanout is desired. Removable face-of-wall cover allows easy access to closure plug.

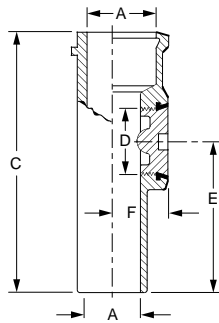


Fig. 4510

OPTIONS:	ADD
-LS 6" Long Center Screw	32.00
-LSU 6" Long Vandal Proof Center Screw	85.00
-TH Plug Tapped 1/4-20 w/T Handle for Plug	78.00
-U Vandal Proof Screw (1/4-20 X 2 1/2")	58.00
Y No-Hub Tee (02, 03, 04" only)	N/C

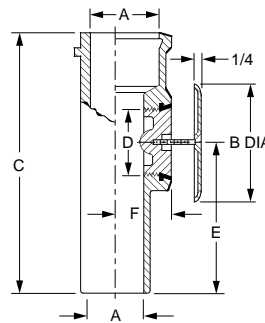


Fig. 4530

LESS COVER		A - PIPE SIZE:	02"	03"	04"	05"	06"	
4510	Gasket Seal Cast Iron Plug		244.00	291.00	440.00	504.00	1,210.00	
4511	Gasket Seal Bronze Plug		255.00	288.00	385.00	619.00	1,136.00	
4512	Taper Thread Bronze Plug		B	404.00	553.00	619.00	1,475.00	
WITH COVER		COVER MATERIAL	B - COVER SIZE DIA:	4 1/4"	5 1/2"	7"	7"	9 1/4"
With Cast Iron Plug								
4530	Gasket Seal Plug	†Stainless Steel (-SS)		221.00	254.00	372.00	606.00	952.00
		Prime Coated Steel (-PC)		195.00	228.00	346.00	580.00	926.00
		Polished Bronze (-PB)		195.00	228.00	346.00	580.00	926.00
With Bronze Plug								
4531	Gasket Seal Plug	†Stainless Steel (-SS)		338.00	371.00	489.00	725.00	1,325.00
		Prime Coated Steel (-PC)		312.00	345.00	463.00	699.00	1,299.00
		Polished Bronze (-PB)		312.00	345.00	463.00	699.00	1,299.00
With Bronze Plug								
4532	Taper Thread Plug	†Stainless Steel (-SS)		425.00	474.00	652.00	725.00	1,672.00
		Prime Coated Steel (-PC)		312.00	345.00	463.00	699.00	1,299.00
		Polished Bronze (-PB)		441.00	490.00	674.00	699.00	1,736.00
		C		10 1/2"	11 3/4"	12"	*13"	16"
		D SIZE		1 1/2"	2 1/2"	3 1/2"	4 1/2"	6"
		E		6 1/4"	7"	7"	8 1/2"	9"
		F		2"	2 1/2"	3"	4"	4 1/2"

*This Dimension becomes 15" for the 4512 and 4532.

REGULARLY FURNISHED: Ductile Cast Iron Cleanout Tee and Countersunk Plug with Stainless Steel Round Cover and Screw as Indicated by Figure Number Selected.



CLEANOUTS

FIG. 4550, 4555 SERIES CLEANOUT TEE W/SQUARE FRAME AND COVER



FUNCTION: Used in concealed drainage lines where a cleanout is desired. Face-of-Wall Cover should be used for tile, masonry or drywall construction. The Flush-with-Wall cover is ideal for plaster or wet wall construction.

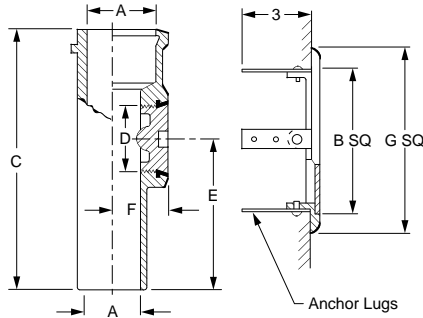


Fig. 4550

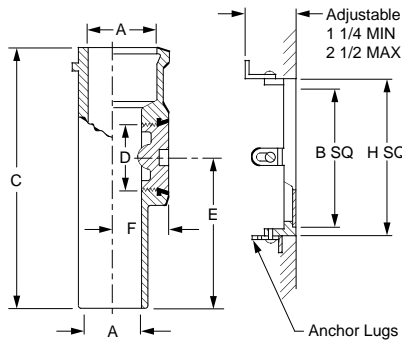


Fig. 4555

OPTIONS:

- U Vandal Proof Screw (1/4-20 X 2 1/2") 58.00
- Y No-Hub Tee (02, 03, 4" only) N/C

ADD

- 58.00
- N/C

FACE OF WALL COVER		A - PIPE SIZE:	02"	03"	04"	05"	06"	
With Cast Iron Plug		COVER MATERIAL	B - COVER SIZE SQ:	6 x 6"	6 x 6"	6 x 6"	8 x 8"	10 x 10"
4550	Gasket Seal Plug	†CP Frame & Cover (-CP)	542.00	574.00	673.00	1,094.00	1,406.00	
		NB Frame & Cover (-NB)	506.00	538.00	637.00	1,042.00	1,345.00	
		PB Frame & Cover (-PB)	456.00	488.00	587.00	974.00	1,274.00	
With Bronze Plug								
4551	Gasket Seal Plug	†CP Frame & Cover (-CP)	661.00	692.00	740.00	1,212.00	1,780.00	
		NB Frame & Cover (-NB)	625.00	656.00	754.00	1,160.00	1,719.00	
		PB Frame & Cover (-PB)	575.00	606.00	704.00	1,092.00	1,648.00	
With Bronze Plug								
4553	Taper Thread Plug	†CP Frame & Cover (-CP)	661.00	692.00	790.00	1,212.00	1,780.00	
		NB Frame & Cover (-NB)	684.00	733.00	992.00	1,160.00	2,025.00	
		PB Frame & Cover (-PB)	656.00	704.00	950.00	1,092.00	1,937.00	
FLUSH WITH WALL COVER								
With Cast Iron Plug								
4555	Gasket Seal Plug	†CP Frame & Cover (-CP)	542.00	574.00	673.00	1,094.00	1,406.00	
		NB Frame & Cover (-NB)	506.00	538.00	637.00	1,042.00	1,345.00	
		PB Frame & Cover (-PB)	456.00	488.00	587.00	974.00	1,274.00	
With Bronze Plug								
4556	Gasket Seal Plug	†CP Frame & Cover (-CP)	661.00	692.00	790.00	1,212.00	1,780.00	
		NB Frame & Cover (-NB)	625.00	656.00	754.00	1,160.00	1,719.00	
		PB Frame & Cover (-PB)	575.00	606.00	704.00	1,092.00	1,648.00	
With Bronze Plug								
4558	Taper Thread Plug	†CP Frame & Cover (-CP)	661.00	692.00	790.00	1,212.00	1,780.00	
		NB Frame & Cover (-NB)	684.00	733.00	992.00	1,160.00	2,025.00	
		PB Frame & Cover (-PB)	656.00	704.00	950.00	1,092.00	1,937.00	
	C	10 1/2"	11 3/4"	12"	*13"	16"		
	D SIZE	1 1/2"	2 1/2"	3 1/2"	4 1/2"	6"		
	E	6 1/4"	7"	7"	8 1/2"	9"		
	F	2"	2 1/2"	3"	4"	4 1/2"		
	G SQ	7 3/4"	7 3/4"	7 3/4"	9 3/4"	11 3/4"		
	H SQ	6 1/2"	6 1/2"	6 1/2"	8 1/2"	10 1/2"		

*This Dimension becomes 15" for the 4553 and 4558.

REGULARLY FURNISHED: Duco Cast Iron Cleanout Tee and Countersunk Plug with Chrome Plated Bronze Square Frame and Secured Cover. Type of Cover as Indicated by Figure Number Selected.

Spigot Outlet sized for service weight and/or No-Hub.



CLEANOUTS



FIG. 4710, 4715 ROUND FACE-OF-WALL ACCESS COVER AND SCREW

FUNCTION: Used to conceal cleanout closures in walls. The round access cover is mounted on the surface of the finished wall and is directly secured by the screw to a tapping which must be provided in the cleanout plug. Shallow plates are preferred for all installations except where the cleanout plug protrudes beyond the finished wall surface, in which case the deep type cover must be used.

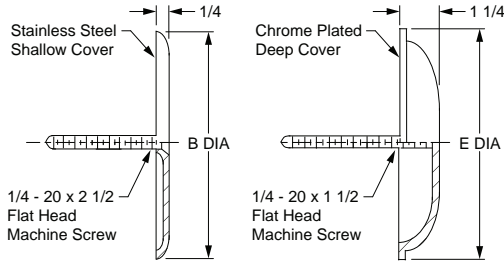


Fig. 4710

Fig. 4715

OPTIONS:

-LS	6" Long Center Screw	ADD 32.00
-LSU	6" Long Vandal Proof Center Screw	85.00
-U	Vandal Proof Screw (1/4-20 X 2 1/2")	58.00

		PLUG SIZE	1 1/2", 2", 2 1/2"	3", 3 1/2", 4"	5"	6"	8", 10"	
4710	Shallow Cover	COVER MATERIAL	B - COVER SIZE DIA:	4 1/4"	5 1/2"	7"	9 1/4"	11 1/4"
		†Stainless Steel (-SS)		73.00	73.00	101.00	206.00	304.00
		Prime Coated Steel (-PC)		58.00	58.00	77.00	161.00	266.00
		Polished Bronze (-PB)		69.00	69.00	97.00	196.00	290.00
4715	Deep Cover	COVER MATERIAL	E - COVER SIZE DIA:	*7 1/4"	*7 1/4"	*7 1/4"	9 1/4"	11 1/4"
		†Stainless Steel (-SS)		-	-	254.00	-	-
		Chrome Plated (-CP) or Nickel Bronze (-NB)		-	-	-	354.00	496.00
		Polished Bronze (-PB)		-	-	-	325.00	467.00

*Die formed SS cover only.

REGULARLY FURNISHED: Stainless Steel Shallow Cover or Chrome Plated Bronze Deep Cover with Center Screw as Indicated by Figure Number Selected.

FIG. 4720, 4725 WALL ACCESS SECURED COVER WITH ROUND FRAME

FUNCTION: Used to cover cleanout plugs, valves, controls or equipment concealed in walls. The round design eliminates necessity for lining up with adjacent floors, ceilings, moldings, etc. The anchoring lugs provide easy means for securing the frame to the wall construction. The face-of-wall cover is for tile, masonry, or dry wall construction and is usually installed on an opening provided in the finished wall. The flush-with-wall cover is for plaster or wet wall construction and is installed during the wall construction.

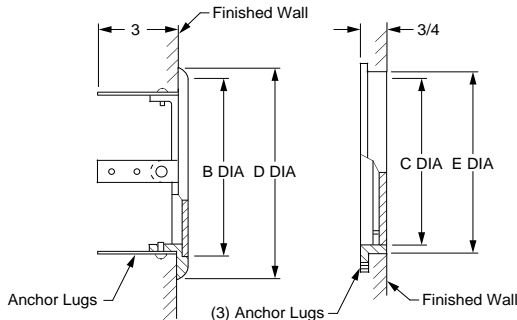


Fig. 4720

Fig. 4725

OPTIONS:

-U	Vandal Proof Screws	ADD 58.00
----	---------------------------	---------------------

		PLUG SIZE	2"	3"	4"	5"	6"	8"	
4720	Face of Wall	COVER MATERIAL	B - OPENING SIZE DIA:	4"	5 1/2"	6"	8"	8"	-
			D - COVER SIZE DIA:	6"	7"	7 1/2"	10"	10"	-
		†Chrome Plated (-CP)		242.00	242.00	242.00	242.00	408.00	-
		Nickel Bronze (-NB)		214.00	214.00	214.00	214.00	372.00	-
		COVER MATERIAL	C - OPENING SIZE DIA:	4"	5 1/2"	6"	6"	8"	10"
4725	Flush With Wall		E - COVER SIZE DIA:	4 1/2"	5 3/4"	6 1/2"	6 1/2"	8 1/2"	10 1/2"
		†Chrome Plated (-CP)		242.00	242.00	242.00	242.00	408.00	664.00
		Nickel Bronze (-NB)		228.00	228.00	228.00	228.00	612.00	612.00
		Polished Bronze (-PB)		217.00	217.00	217.00	217.00	579.00	579.00
		APPROX WT. LBS.		2	4	5	7	7	8

REGULARLY FURNISHED: Chrome Plated Bronze Round Frame and Secured Cover. Type of Cover as Indicated by Figure Number Selected.



CLEANOUTS



FIG. 4730, 4735 WALL ACCESS SECURED COVER WITH SQUARE FRAME

FUNCTION: Used to cover cleanout plugs, valves, controls or equipment concealed in walls. The square design is particularly adaptable to adjacent walls, floors, ceilings, etc. that are finished of material in straight line patterns. The anchoring lugs provide easy means for securing the cover to the wall construction. The face-of-wall cover is for tile, masonry, or dry wall construction and is usually installed on an opening provided in the finished wall. The flush-with-wall cover is for plaster or wet wall construction and is installed during the wall construction.

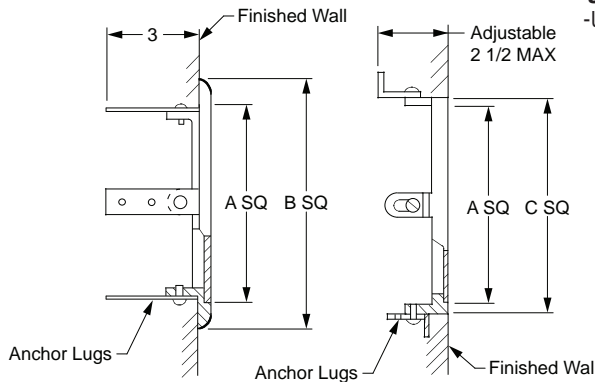


Fig. 4730

Fig. 4735

OPTIONS:

-U Vandal Proof Screws **ADD 58.00**

			A - OPENING SIZE SQ:	6" x 6"	8" x 8"	10" x 10"	12" x 12"	15" x 15"
			B - COVER SIZE SQ:	7 3/4"	9 3/4"	11 3/4"	13 3/4"	16 3/4"
			C - COVER SIZE SQ:	6 1/2"	8 1/2"	10 1/2"	12 1/2"	15 1/2"
		COVER MATERIAL						
4730	Face of Wall	†CP Frame & Cover (-CP)	405.00	591.00	642.00	693.00	1,070.00	
		NB Frame & SS Cover (-NB)	690.00	731.00	920.00	993.00	973.00	
		PB Frame & Cover (-PB)	654.00	694.00	874.00	945.00	893.00	
4735	Flush With Wall	†CP Frame & Cover (-CP)	405.00	591.00	642.00	693.00	1,070.00	
		NB Frame & SS Cover (-NB)	690.00	731.00	920.00	993.00	973.00	
		PB Frame & Cover (-PB)	654.00	694.00	874.00	945.00	893.00	
APPROX WT. LBS.			3	5	8	10	26	

REGULARLY FURNISHED: Chrome Plated Bronze Square Frame with Anchor Lugs and Secured Cover. Type of Cover as Indicated by Figure Number Selected.

FIG. 4740, 4745 WALL SQUARE FLUSH VALVE BOX

FUNCTION: Used to cover flush valves which are concealed in the wall construction, and provide a means of actuating the valves by handle, push button or pedal, and at the same time to provide access from the toilet room to adjust or maintain the valve. The face-of-wall box is for tile, masonry, or dry wall construction. The open back box is installed in the wall by means of anchor or nail holes provided. The flush-with-wall box is for plaster or wet wall construction and is installed prior to wall finish. The adjustable anchoring lugs provide a means of securely anchoring the box, so that the face of the cover will be flush with the finished wall.

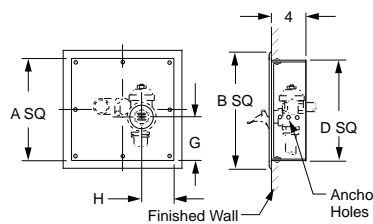


Fig. 4740

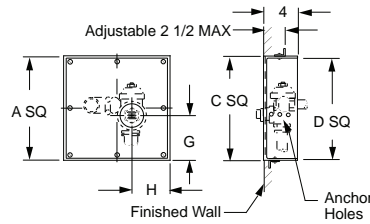


Fig. 4745

OPTIONS:

-U Vandal Proof Screws **ADD 58.00**
 Flush Valve Handle Hole* **90.00**

			A - OPENING SIZE SQ:	10" x 10"	12" x 12"	15" x 15"
			B - COVER SIZE SQ:	11 3/4"	13 3/4"	16 3/4"
			C - COVER SIZE SQ:	10 1/2"	12 1/2"	15 1/2"
			D - OPENING SIZE SQ:	10"	12"	15"
		COVER MATERIAL				
4740	Face of Wall	†CP Frame & Cover (-CP)	1,227.00	1,373.00	1,499.00	
		NB Frame & SS Cover (-NB)	1,198.00	1,249.00	1,361.00	
		PB Frame & Cover (-PB)	892.00	1,099.00	1,206.00	
4745	Flush With Wall	†CP Frame & Cover (-CP)	1,227.00	1,373.00	1,499.00	
		NB Frame & SS Cover (-NB)	1,198.00	1,249.00	1,361.00	
		PB Frame & Cover (-PB)	892.00	1,099.00	1,206.00	
APPROX WT. LBS.			14	18	26	

NOTE: G and H dimensions depend on Flush Valve being used. Always specify location and Manufacturers Make and Model.

*Specify location and manufacturers make and model.

REGULARLY FURNISHED: Chrome Plated Bronze Square Frame and Cover Secured with Screws, Aluminum Frame and Anchors.

CLEANOUTS



CLEANOUTS

SMITH®



FIG. 4760, 4765 SERIES WALL AND CEILING ACCESS DOORS SQUARE OR RECTANGULAR FRAMES W/HINGED LOCKED DOOR

FUNCTION: Used to cover cleanout plugs, valves, controls or equipment concealed in walls and ceilings. Larger sizes are used to provide man access to utility and attic spaces. The face-of-the-wall type is for tile, masonry or dry wall construction, and is usually installed in an opening provided in the finished wall. The flush-with-wall type is for plaster or wet wall construction and is installed prior to finish. The anchor holes provide a means of securely anchoring so that the face of the cover will be flush with the finished wall.



OPTIONS:

ADD
(Specify Opening Device)

- AK Allen Key LatchN/C
- CL Cylinder Lock (CL)175.00

*Doors 24" and Larger are furnished with a Continuous Piano Hinge

DOOR SIZE	4760 DRY WALL PC STEEL	4762 DRY WALL STAINLESS STEEL	4765 PLASTER WALL PC STEEL	4767 PLASTER WALL STAINLESS STEEL	APPROX. WEIGHT LBS
08 x 08"	501.00	807.00	545.00	780.00	5
12 x 12"	675.00	835.00	717.00	825.00	8
12 x 16"	813.00	1,874.00	867.00	1,288.00	10
16 x 16"	1,007.00	1,948.00	1,042.00	1,343.00	12
18 x 18"	1,042.00	2,202.00	1,122.00	1,619.00	14
24 x 24"	3,309.00	4,076.00	3,419.00	2,515.00	20
24 x 36"	3,466.00	4,181.00	3,746.00	POA	30

REGULARLY FURNISHED: 16 gauge steel door and frame with concealed hinge* and screwdriver operated latch which holds the door securely closed. Nail slots are provided for attaching to studs. When "B" dimension is 24" or over, additional latches are provided at the top and bottom of door. When specified with allen latch or cylinder lock, matching latches/locks are furnished.

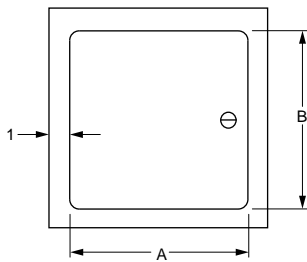


Fig. 4760

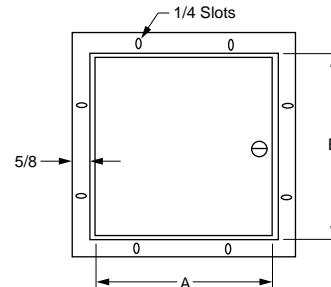
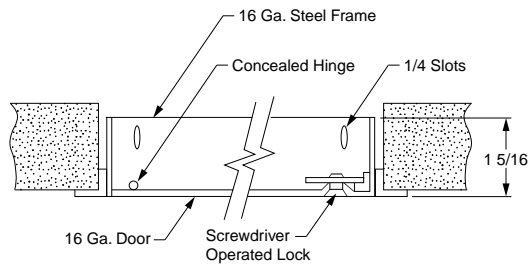


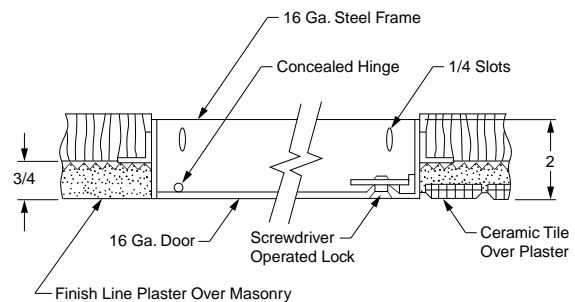
Fig. 4765

FEATURES AND TYPICAL INSTALLATIONS

FACE OF WALL TYPE



FLUSH WITH WALL TYPE

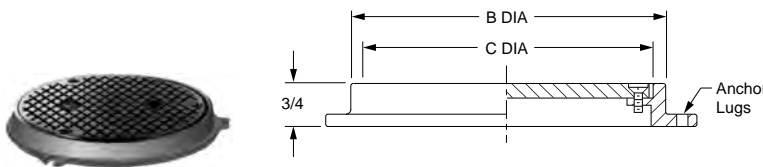


CLEANOUTS



FIG. 4810 FLOOR ACCESS COVER W/ROUND FRAME AND SCORIATED COVER

FUNCTION: Used in concrete floors and/or surfaced areas. Scoriated covers are used where floors are subject to ordinary foot traffic and normal loadings. The secured cover should be used wherever vandalism can be a problem.



OPTIONS:

- U Vandal Proof Screws **ADD 58.00**
- Cover Drilled in Center and furnished with 1/4"-20 x 2 1/2" Long Screw **90.00**
- Smooth Top for Flush-Type Cover **See Fig. 4725**

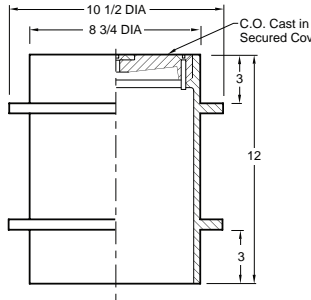
Fig. 4810

4810	COVER MATERIAL	C - COVER DIA:	4 "	5 1/2"	6"	6"	8"	10"
		PLUG SIZE	02"	03"	04"	05"	06"	08"
		B - DIA:	4 1/2"	5 3/4"	6 1/2"	6 1/2"	8 1/2"	10 1/2"
	†Nickel Bronze (-NB)		228.00	228.00	228.00	612.00	612.00	612.00
	Polished Bronze (-PB)		217.00	217.00	217.00	579.00	579.00	579.00
		APPROX WT. LBS.	2	3	5	5	9	13

REGULARLY FURNISHED: Secured Scoriated Nickel Bronze Cover and Frame with Anchor Lugs.

FIG. 4880 ROUND FLANGED HOUSING W/HEAVY DUTY CAST IRON COVER

FUNCTION: Used to cover cleanouts, valves, cocks, etc. High anchor flange permits use in areas surfaced with concrete or other poured materials. Low anchor flange is used with a ring of concrete poured below the surface for non-surfaced areas and areas surfaced with asphalt paving. Housing is completely free of pipe so that no loading is transmitted to the pipe.



OPTIONS:

- U Vandal Proof Screw **ADD 90.00**

4880	829.00
4880DI	1,223.00
4880NB	1,471.00
4880PB	1,432.00

REGULARLY FURNISHED: Duco Cast Iron Double Flanged Body with Heavy Duty Secured Scoriated Cast Iron Cover with Lifting Device.

FIG. 4890 ROUND DECK PLUG W/THEADED SPANNER WRENCH COVER

FUNCTION: Used as floor cleanout for drainage lines. The threaded machine fit cover is watertight and requires a spanner wrench for removal.

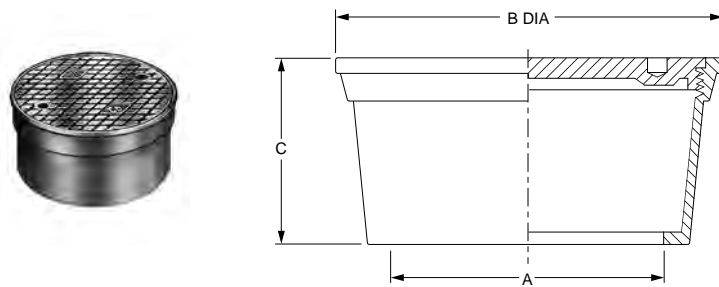


Fig. 4890

OPTIONS:

- SH Securing Holes (Fig. DX4890) **ADD 74.00**
- SW Spanner Wrench..... **97.00**

		A - PLUG SIZE	02"	03"	04"	05"	06"	08"
		B - DIA:	4"	4 3/4"	6"	8"	8 3/4"	10 3/4"
		C	2"	3"	3"	3 1/2"	3 1/2"	3 1/2"
4890	COVER MATERIAL							
	†Nickel Bronze (-NB)		380.00	529.00	588.00	727.00	971.00	1,976.00
	Polished Bronze (-PB)		352.00	470.00	529.00	668.00	941.00	1,586.00
		APPROX WT. LBS.	3	7	9	10	12	18
DX4890	†Nickel Bronze (-NB)		1,151.00	1,300.00	1,359.00	1,742.00	1,742.00	2,747.00
	Polished Bronze (-PB)		1,123.00	1,241.00	1,300.00	1,712.00	1,712.00	2,357.00
		APPROX WT. LBS.	8	13	17	-	-	-

REGULARLY FURNISHED: All Nickel Bronze with Polished Scoriated Cover.

CLEANOUTS



CLEANOUTS

SMITH®



FIG. 4910, 4915 SQUARE OR RECTANGULAR FRAMES W/SECURED COVER

FUNCTION: Used in concrete floors and surfaced areas subject to pedestrian or similar traffic to provide access to cleanouts, valves, controls or equipment. Particularly suitable for multiple installation of valves such as radiant heating balancing valves. Framing lugs are provided to attach to wood forms, arranged so form can be removed after concrete sets. Perforated flange keys into concrete, providing permanent anchor. Hinged covers are recommended for frequently used type of installations.

OPTIONS:

	ADD
-U Vandal Proof Screws	58.00
Cover Cast with words "Cleanout" (-CO), "Gas Shut Off" (-GSO) or "Water Shutoff" (WSO)	117.00

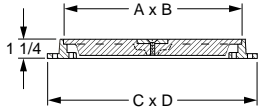
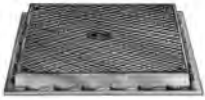


Fig. 4910

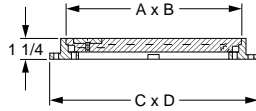


Fig. 4915

	A X B COVER SIZE	C X D	†ALL ROUGH ALUMINUM	POLISHED ALUMINUM (-PT)	STEEL DIAMOND PLATE (-HD)	APPROX. WEIGHT LBS
4910 SECURED COVER	06 x 06"	08 x 08"	213.00	290.00	435.00	3
	06 x 12"	08 x 14"	274.00	350.00	536.00	5
	09 x 09"	11 x 11"	377.00	467.00	615.00	6
	12 x 12"	14 x 14"	488.00	531.00	974.00	8
	15 x 15"	17 x 17"	824.00	952.00	1,614.00	11
	24 x 24"	26 x 26"	1,886.00	2,118.00	3,334.00	24
4915 HINGED SECURED COVER	06 x 06"	08 x 08"	325.00	398.00	546.00	3
	09 x 09"	11 x 11"	504.00	578.00	1,208.00	6
	12 x 12"	14 x 14"	582.00	661.00	1,365.00	8
	15 x 15"	17 x 17"	1,007.00	1,131.00	1,723.00	-

REGULARLY FURNISHED: Plain Aluminum Frame and Secured Scoriated Cover with Lifting Device.

FIG. 4930, 4940 FLOOR ACCESS COVER W/SQUARE FRAME AND SECURED SCORIATED COVER

FUNCTION: Used in concrete floors and surfaced areas subject to normal foot traffic, to provide access to cleanouts, valves, controls or equipment. Hinged covers are recommended for frequently used types of installations.

OPTIONS:

	ADD
-ST Smooth Top	N/C
-U Vandal Proof Screws (Fig. 4930 Only)	58.00

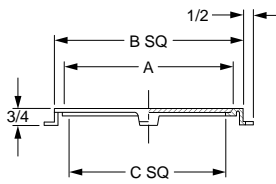


Fig. 4930

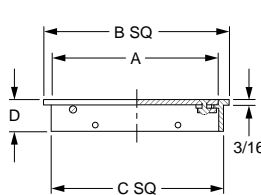


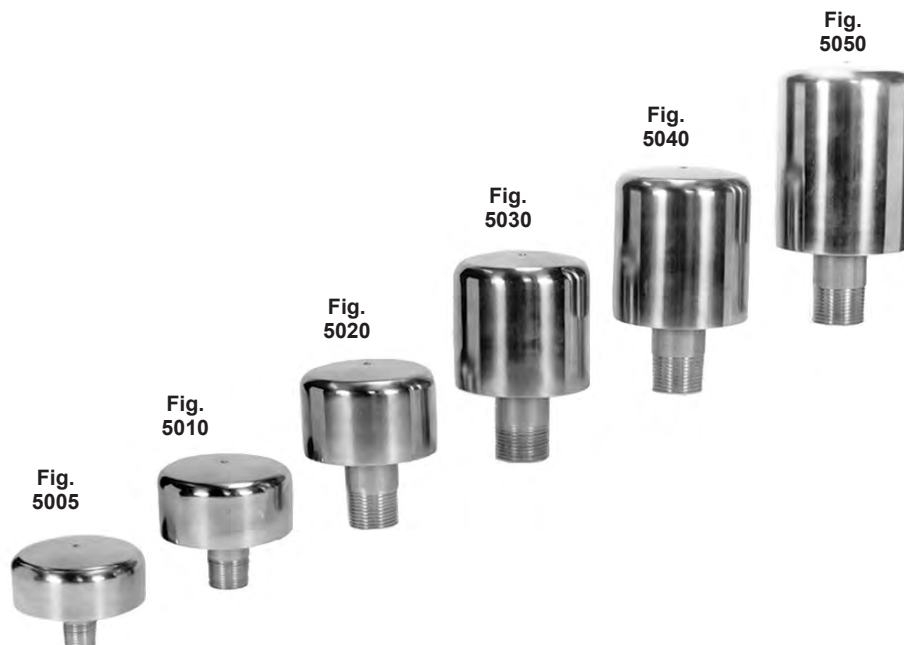
Fig. 4940

4930 SECURED COVER	A - COVER SIZE SQ:	06 x 06"	08 x 08"	10 x 10"
	B - SQ:	7"	9"	11"
	C - SQ:	5 1/2"	7 1/2"	9 1/2"
COVER MATERIAL	†Nickel Bronze (-NB)	314.00	414.00	504.00
	Polished Bronze (-PB)	286.00	372.00	435.00
4940 HINGED SECURED COVER	B - SQ:	-	9"	12"
	C - SQ:	-	8 3/4"	10 1/2"
	D	-	1 1/2"	3 3/4"
COVER MATERIAL	†Nickel Bronze (-NB)	-	505.00	712.00
	Polished Bronze (-PB)	-	436.00	635.00
	APPROX WT. LBS.	14	18	26

REGULARLY FURNISHED: Square Nickel Bronze Frame and Secured Scoriated Cover or Hinged Scoriated Cover with Locking Device.



WATER HAMMER ARRESTERS



ORDERING GUIDELINES



5000 SERIES

After identifying the proper size required to meet the engineering specification, place order as shown below:

Example:

Figure No. _____ 5005

DESIGN - CONSTRUCTION - OPERATION



Built to last without mechanical failure or material deterioration, the HYDROTROL unit is constructed entirely of stainless steel.

HYDROTROL uses heavy duty balanced expansion bellows to internally absorb the hydrostatic shock pressure occurring in water lines. These bellows are both pneumatically and hydraulically controlled in a pressurized expansion chamber so that they never come into metal to metal contact with other parts of the unit, and cannot be subjected to excessive stresses or strains which might cause metal fatigue and bellows failure.

Stainless steel construction combined with unique engineered design make HYDROTROL -

- Compact in size
- Big in performance
- Maximum capacity
- Light-weight - needs no support straps
- Requires no service or maintenance
- Extremely durable - May be installed in concealed areas

Bellows in normal position



- Pressurized compression chamber charged and factory sealed. Controls bellows expansion under normal water-line pressure so that full expansion capacity is available to control shock.
- Hydraulic Fluid—Pure non toxic mineral oil surrounds bellows, holding bellows in uniform alignment.
- Welded Nesting—Type Expansion Bellows
- In-Line Design—Direct action type bellows respond instantly to control shock pressure.
- Threaded Nipple Connection—Screws directly into tee.

With HYDROTROL'S in-line design, expansion bellows are an integral part of the waterline, so that they respond instantaneously in absorbing and controlling hydrostatic shock.

A pressurized compression chamber provides a pneumatic cushion that governs the bellows' expansion under normal waterline pressure, so that the full bellows expansion capacity is available for controlling hydrostatic shock.

The bellows are of balanced design and construction with heavier and stronger convolutions positioned in the bellows assembly to insure each convolution expanding evenly and equally, thereby providing the maximum surface area for absorbing and dissipating the shock pressure into the pneumatic cushion.

Unit absorbing shock



- As shock occurs, bellows expand, creating a pneumatic pressure cushion which absorbs and controls shock.
- Hydraulic fluid flows in between nesting type bellows, holding bellows in uniform alignment during expansion and controlling rate of contraction after shock has been dissipated.
- Bellows in expanded position due to the hydrostatic shock in the system.

As hydrostatic shock occurs, these pressures cause the bellows to expand into the pneumatic cushion of the compression chamber. This expanding movement of the bellows provides the displacement required to absorb and control the shock pressure generated in the line. The force of the shock expanding the bellows creates a self-energizing pneumatic pressure, which prevents the bellows from over-expanding and coming into contact with the top of the compression chamber. This same action forces the hydraulic fluid (pure mineral oil) between each convolution of the bellows and the sides of the compression chamber, creating a hydraulic pressure cushion which holds the bellows in uniform alignment during expansion and controls the rate of contraction after the shock force has been dissipated.

The combined cushioning effect of both the pneumatic and hydraulic pressures governs the bellows action, so that shock waves do not bounce back into the piping system and acts to quickly stabilize the water and piping system.

SIZING AND PLACEMENT OF HYDROTROLS



All Sizing and Placement Data is in Accordance with Plumbing and Drainage Institute Standard PDI WH-201
SIZING - Single and Multiple Fixture Branch Lines

Most engineers employ the fixture unit method of sizing water piping systems. Smith uses the P.D.I. simplified method of sizing HYDROTROLS based on fixture unit weight. The correct size HYDROTROL can therefore be specified and located at the same time that the pipe sizes are determined.

Table 1 indicates the fixture unit weights for most popular plumbing fixtures and is based upon information offered in the National Plumbing Code. Certain local codes may vary and should be reviewed prior to using Table 1.

Fixture	Type of Supply Control	Weight in Fixture Units			
		Public		Private	
		C.W.	H.W.	C.W.	H.W.
Water Closet	Flush Valve	10	-	6	-
Water Closet	Flush Tank	5	-	3	-
Pedestal Urinal	Flush Valve	10	-	-	-
Stall or Wall Urinal	Flush Valve	5	-	-	-
Stall or Wall Urinal	Flush Tank	3	-	-	-
Lavatory	Faucet	1 1/2	1 1/2	1	1
Bathtub	Faucet	2	3	1 1/2	1 1/2
Shower Head	Mixing Valve	2	3	1	2
Bathroom Group	Flush Valve Closet	-	-	8	3
Bathroom Group	Flush Tank Closet	-	-	6	3
Separate Shower	Mixing Valve	-	-	1	2
Service Sink	Faucet	3	3	-	-
Laundry Tubs (1-3)	Faucet	-	-	3	3
Combination Fixture	Faucet	-	-	3	3

Table 1

Table 2 indicates fixture unit ratings for P.D.I. certified water hammer arrester categories and the corresponding Smith HYDROTROL for each category. Where several fixtures are installed in a branch usually only one fixture valve at a time will be closed. Table 2 takes into consideration other design factors including the simultaneous usage of one or more fixtures, pipe size, length, flow pressure and velocity. Therefore, this method offers a simple fast determination of the proper size water hammer arrester for a given battery of plumbing fixtures.

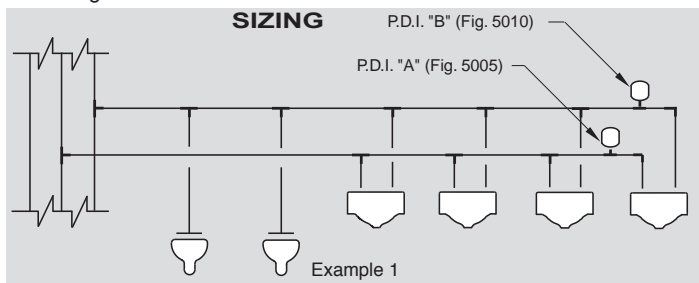
HYDROTROL SIZING TABLE

P.D.I. SYMBOLS	A	B	C	D	E	F
HYDROTROL	5005	5010	5020	5030	5040	5050
Fixture Unit Rating	1-11	12-32	33-60	61-113	114-154	155-330

NOTE: When Water Pressure in line exceeds 65 psi, specify the next larger Hydrotrol.

Table 2

▲ Plumbing and Drainage Institute established these size symbols to correspond to those units covered by the Certification and Testing Program described in P.D.I. Standard Manual WH-201. Find fixture unit weight of each fixture using Table 1. Total the fixture units weights for both hot and cold branches.

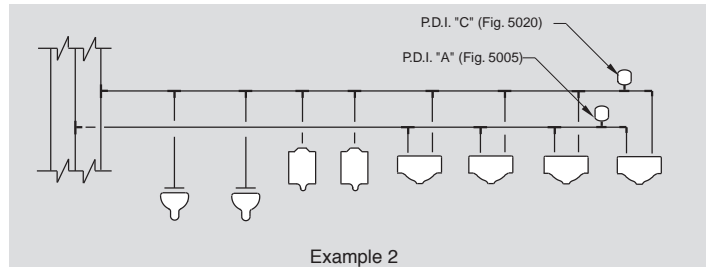


Cold Water Branch
 2 WC. at 10 F.U. ea. = 20
 4 Lav. at 1 1/2 F.U. ea. = 6
 Total 26

Hot Water Branch
 4 Lav. at 1 1/2 F.U. ea. = 6
 Total 6

Select P.D.I. "B" Unit
 Select correct size HYDROTROL using Table 2.
 Cold Water Branch Fig. 5010

Select P.D.I. "A" unit
 Hot Water Branch Fig. 5005



Find fixture unit weight of each fixture using Table 1. Total the fixture unit weights for both hot and cold water branches.

PLACEMENT

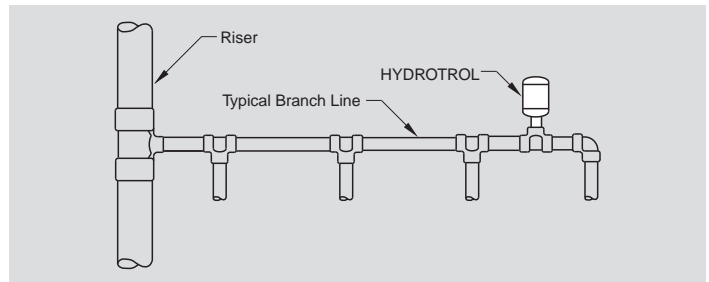
Cold Water Branch
 2 WC. at 10 F.U. ea. = 20
 2 Ur. at 5 F.U. ea. = 10
 4 Lav. at 1 1/2 F.U. ea. = 6
 Total 36

Hot Water Branch
 4 Lav. at 1 1/2 F.U. ea. = 6
 Total 6

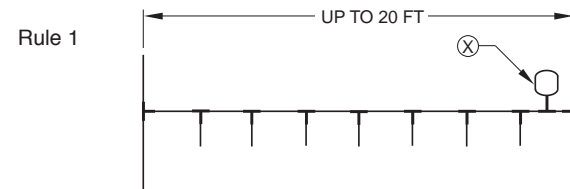
Select P.D.I. "C" unit
 Select correct size HYDROTROL using Table 2.
 Cold Water Branch Fig. 5020

Select P.D.I. "A" unit
 Hot Water Branch Fig. 5005

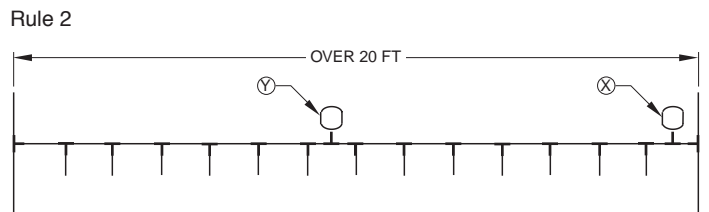
It has been established that the preferred location for the water hammer arrester is at the end of the branch line between the last two fixtures served.



Two basic rules were established - one for branches up to 20 ft. in length, and another for branches over 20 ft. in length.



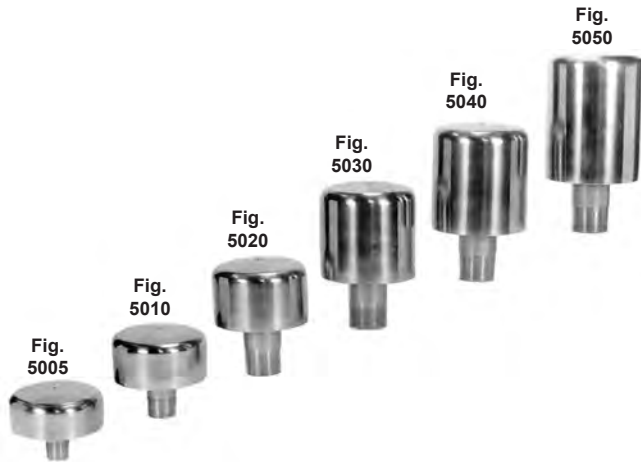
Rule 1, covers multiple fixture branch lines which do not exceed 20 ft. in length. Hydrotrol Sizing Table 2 is used to select the required unit.



Rule 2, covers multiple fixture branch lines which do exceed 20 ft. in length. Hydrotrol Sizing Table 2 is used to select the required units. The sum of the Fixture Unit Ratings of units X and Y shall be equal to or greater than the demand of the branch.



FUNCTION: Quick closing electrical, pneumatic, spring loaded valves or devices, and the quick hand closure of fixture trim can cause destructive "water hammer". Engineered water hammer arresters ("Hydrotrols") employ a permanently sealed cushion of air or gas which absorbs the energy of water hammer and reduces pressure rise in the piping system to a safe level. Hydrotrol units, correctly sized and placed at specific locations in the water piping system will control the destructive shock of water hammer.



Hydrotrols Fig. 5005 to 5050 inclusive have been tested and certified in accordance with the Plumbing and Drainage Institute "Standard P.D.I. WH-201"

Certificate of compliance available upon request.

Hydrotrols are pre-charged and permanently sealed at the factory. All hydrotrols are constructed entirely of stainless steel.

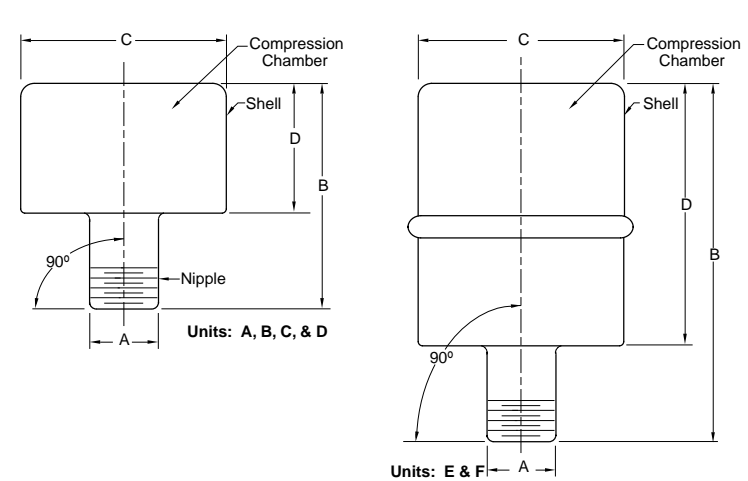
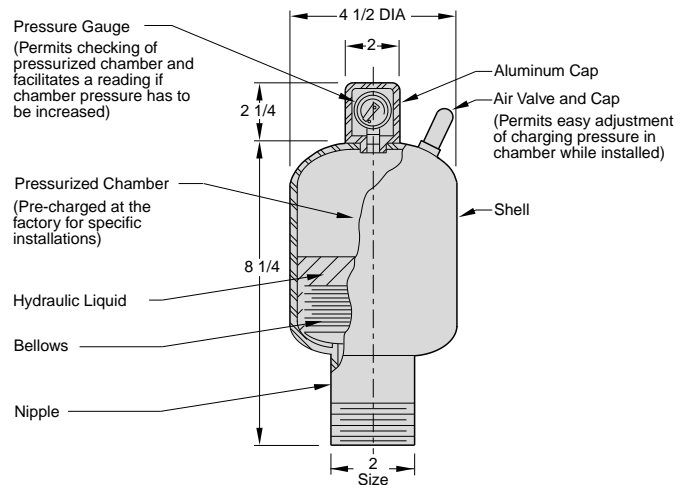


Fig. 5060 - "HY-DUTY" HYDROTROL



The "Hy-Duty" HYDROTROL has been specially designed to absorb and control the extreme hydrostatic shock pressures that occur in applications such as commercial and institutional laundries, bus and truck washing stations, pumping systems and other large piping systems. Because of the special nature of this unit, all requests for sizing should be sent to the Smith Engineering Dept. for review. To enable the company to properly size units for specific jobs, the following information must be furnished.

1. Length of piping run from main to location of discharge valves for equipment.
2. Size of branch pipe and main.
3. Velocity (flow rate) through the branch and main.
4. Water pressure - both static and flowing.
5. Types of equipment served - name, number, flow rate.
6. Sketch or layout of the complete piping system related to the equipment to be protected. This is desirable so that a complete survey of the installation can be made.

FIG. NO.	PDI SIZE	FIXTURE UNIT CAPACITY	A PIPE SIZE	B HEIGHT	C DIA.	D	STAINLESS STEEL	APPROX WEIGHT LBS
5005	A	1-11	3/4" NPT	2 5/8"	3 1/4"	1 7/16"	291.00	1
5010	B	12-32	1" NPT	2 7/8"	3 1/4"	1 3/4"	414.00	2
5020	C	33-60	1" NPT	3 1/2"	3 1/4"	2 1/4"	710.00	3
5030	D	61-133	1" NPT	4 1/2"	3 1/4"	3 1/4"	1,318.00	3
5040	E	115-154	1" NPT	5 1/2"	3 1/4"	4 1/8"	1,691.00	4
5050	F	155-330	1" NPT	6 5/8"	3 1/4"	5 1/4"	2,155.00	4
5060	—	—	2" NPT	10 1/2"	4 1/2"	—	POA	8

RECOMMENDED SPECIFICATION FOR HYDROSTATIC SHOCK CONTROL

Smith series 5000 "Hydrotrol" all stainless steel shock absorbers shall be installed at all solenoid, remote operated or quick closing valves and at each plumbing fixture or battery of plumbing fixtures. Install on both hot and cold water branch lines in an upright position as close as possible to the valve or valves being served. Sizes and locations as indicated on drawings.

HYDROTROL

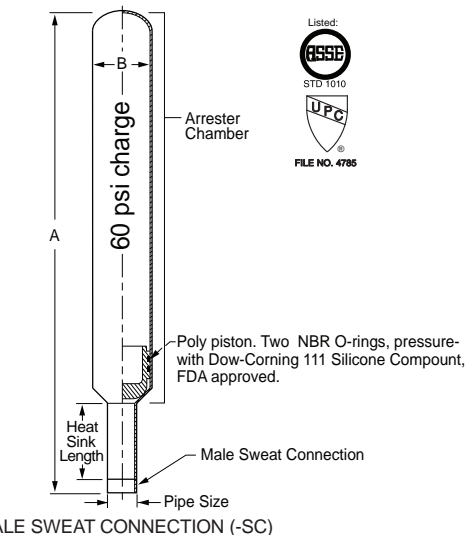
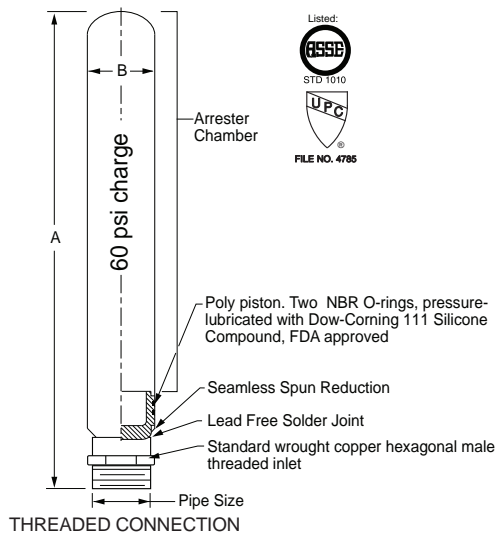


HYDROTROL JR.



FIG. 5205-5250 PISTON TYPE WATER HAMMER ARRESTERS - LEAD FREE

Maximum working pressure - Designed to keep residential, commercial, and industrial water lines @ 350 p.s.i. maximum working pressure during pressure surges following quick valve closure. Working TEMPERATURE RANGE - From 33 degrees to 250 degrees F.



INSTALLATION

The piston unit can be installed in new construction or renovation/remodel by threading into properly sized female I.P.S. fitting (wrench or hex). It can be installed at any angle to accommodate structural limitations, and should be placed as close to the shut-off valve as possible, one on each hot and cold line. The piston unit is seamless, factory charged and is maintenance free and does not require access panels. It cannot be charged in the field.

TYPICAL INSTALLATIONS

- Properly sized and placed (see tables below) the piston unit can be set in a multiple fixture branch for commercial/institutional/industrial/residential applications.
- As a tee configuration with stub outs in walls behind sinks, lavatories, and water closets.
- MIP Threaded model - Threaded into female I.P.S. connections in tub and shower valves.
- In supply lines of clothes washers and dishwashers. (AA not recommended for these applications)
- Into cold inlet and hot outlet of water heater for general protection.

NOTE: For additional Hydrotrol sizing and placement data go to our web site at www.jrsmith.com or contact your local Jay R. Smith Representative.

NOTE: Systems exceeding 60 PSI (414kPa) shall be installed with a pressure reducing valve upstream of the unit per ASSE Standard #1010.

NOTE: The wetted surface of the product contacted by consumable water contributes less than one quarter of one percent of lead by weight.

PISTON UNITS Comply with the following:
ASSE/ANSI 1010 Water Hammer Arrester

IMPORTANT

INSTALL USING WRENCH ON HEX ABOVE THREADS
PROTECT PRESSURE CHAMBER FROM DENTING.

FIG. NO.	SIZING SYMBOL	FIXTURE UNIT CAPACITY	A PIPE SIZE	AIR CHARGE	THREADED CONN.	DIMENSIONS		SWEAT CONN. (-SC)	DIMENSIONS		APPROX WEIGHT LBS
						A	B DIA		A	B DIA	
*5201	AA	1 to 3	1/2 IPS	60 psig	90.00	5.56	.875"	90.00	5.62	.875	.5
5205	A	4 to 11	1/2 IPS	60 psig	114.00	6.875	1.125	114.00	6.56	1.125	.5
5210	B	12 to 32	3/4 IPS	60 psig	220.00	8.69	1.38	220.00	10.81	1.38	.5
5220	C	33 to 60	1 IPS	60 psig	348.00	12.00	1.38	348.00	14.03	1.38	1
5230	D	61 to 113	1 1/4 IPS	60 psig	736.00	12.00	2.13	736.00	13.53	2.13	1
5240	E	114 to 154	1 1/2 IPS	60 psig	915.00	14.56	2.13	915.00	16.84	2.13	1
5250	F	155 to 330	2 IPS	60 psig	1,088.00	16.38	2.13	1,088.00	14.122	2.63	2

*For use in residential applications only.

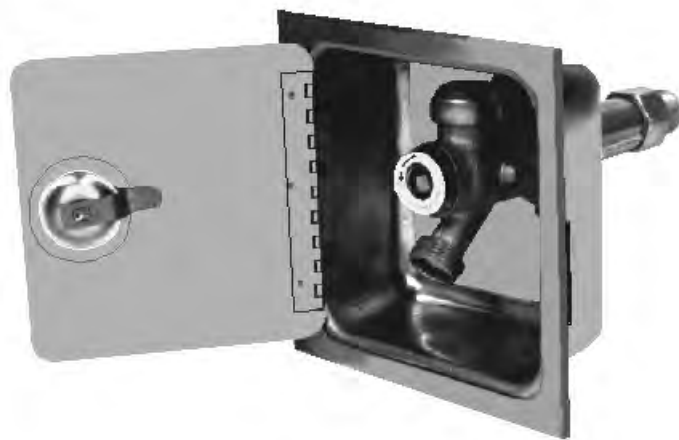
FIXTURE	TYPE OF SUPPLY CONTROL	WEIGHT IN FIXTURE UNITS					
		PUBLIC			PRIVATE		
		TOTAL	C.W.	H.W.	TOTAL	C.W.	H.W.
WATER CLOSET	FLUSH VALVE	10	10	-	6	6	-
WATER CLOSET	FLUSH TANK	5	5	-	3	3	-
PEDESTAL URINAL	FLUSH VALVE	10	10	-	-	-	-
STALL OR WALL URINAL	FLUSH VALVE	5	5	-	-	-	-
STALL OR WALL URINAL	FLUSH TANK	3	3	-	-	-	-
LAVATORY	FAUCET	2	1 1/2	1 1/2	1	1	1
BATHTUB	FAUCET	4	2	3	2	1 1/2	1 1/2
SHOWER HEAD	MIXING VALVE	4	2	3	2	1	2
BATHROOM GROUP	FLUSH VALVE CLOSET	-	-	-	8	8	3
BATHROOM GROUP	FLUSH TANK CLOSET	-	-	-	6	6	3
SEPARATE SHOWER	MIXING VALVE	-	-	-	2	1	2
SERVICE SINK	FAUCET	3	3	3	-	-	-
LAUNDRY TUBS (1-3)	FAUCET	-	-	-	3	3	3
COMBINATION FIXTURE	FAUCET	-	-	-	3	3	3

ASSE/PDI WATER HAMMER ARRESTER SIZING CHART

FOR FLOW PRESSURE UP TO 65 P.S.I.G							
LENGTH OF PIPE	NOMINAL PIPE DIAMETER						
	1/2"	3/4"	1"	1 1/4"	1 1/2"	2"	
	25'	A	A	B	C	D	E
50'	A	B	C	D	E	F	
75'	B	C	D	AE	F	EF	
100'	C	D	E	F	CF	FF	
125'	C	D	F	AF	EF	EFF	
150'	D	E	F	DF	FF	FFF	



HYDRANTS



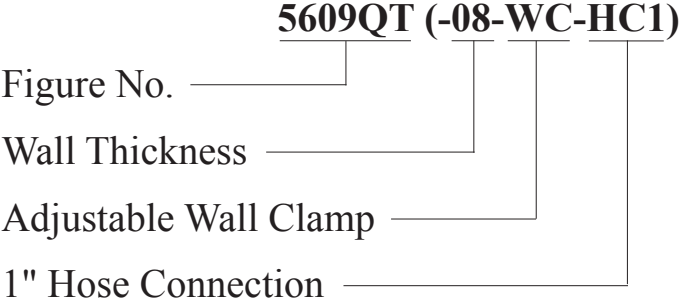
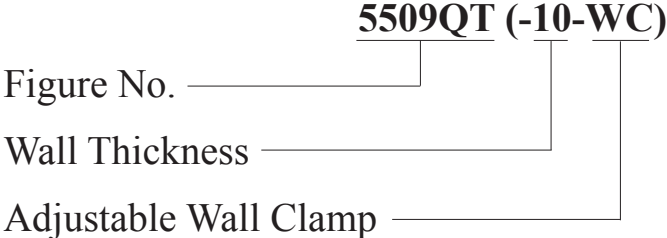
ORDERING GUIDELINES



5500-5900 SERIES

After identifying the proper options required to meet the engineering specification, place order as shown below:

Examples:



*All variation suffixes are to be shown in parenthesis.

TECHNICAL DATA



1/4 TURN NON-FREEZE WALL HYDRANTS Box-type 1/4 turn non-freeze wall hydrants are recommended for all finished exterior walls. Smith regularly furnishes this type wall hydrant with a stainless steel box. Figures 5560QT Series has a bronze box with a high polished chrome plated face. Stainless Steel and chrome plate finish will not "oxide stain" finished exterior walls. All Smith boxes are face-of-wall design. The box flange covers the rough opening and fits flush against exterior wall surface. The hinged locking cover conceals the hose nozzle and all operating parts. Advantages of flush recessed box type non-freeze hydrants are:

- No protruding hose connection, operating mechanism or key.
- Cannot be used by unauthorized persons.
- Protected against vandalism and tampering.
- Flush design offers the ultimate in appearance in any finished exterior wall.

Projecting hose connection type 1/4 turn non-freeze hydrants (5600 Series) are recommended in finished exterior walls where protruding parts will not present a problem and where vandalism or tampering protection is not a necessity. This type is recommended with a nickel plated face to prevent staining of finished walls. Usually, the exposed type hydrant is installed where shrubs or other plantings conceal the hydrant and where property is protected by fencing or other security measures.

HOSE CONNECTIONS Smith 1/4 Turn Non-Freeze Wall Hydrants are regularly furnished with a 3/4" - 11 1/2 NH garden hose connection. This connection is regularly furnished for both 3/4" and 1" inlet sizes. A 1" 11 1/2 NPSH water hose connection can be furnished (-HC1) when specified.

1/4 TURN NON-FREEZE SERIES With exception of short as possible (-SAP) types, series 5500 and 5600 should always be used where outside temperatures drop below freezing. In mild climates or at indoor locations where freezing temperatures are not encountered, the 5509QT-SAP and 5519-SAP type mild climate box hydrants are recommended. These series are regularly furnished with a stainless steel box to protect the finished wall from staining.

The 5509QT and 5609QT series non-freeze wall hydrants are regularly furnished with an integral atmospheric vacuum breaker. The 5519 and 5619 series non-freeze wall hydrants are regularly furnished with an integral vacuum breaker dual check valve. The 5560QT and 5561QT series are regularly furnished without a vacuum breaker. These are available with an add-on type vacuum breaker as variation (-H) when specified.

Back siphonage is prevented when a negative pressure or vacuum occurs in the hydrant by automatically closing the vacuum breaker and opening air ports, thus breaking the vacuum within the hydrant.

REPLACEMENT PARTS LIST

The following diagrams and replacement parts list can be used in figure numbers below. All Smith hydrant submittal drawings show a complete parts list on reverse side of drawing.

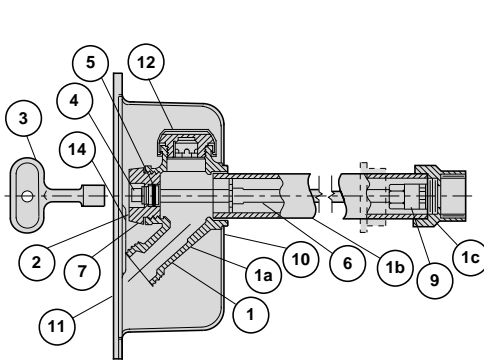


Fig. 5509QT
Fig. 5609QT

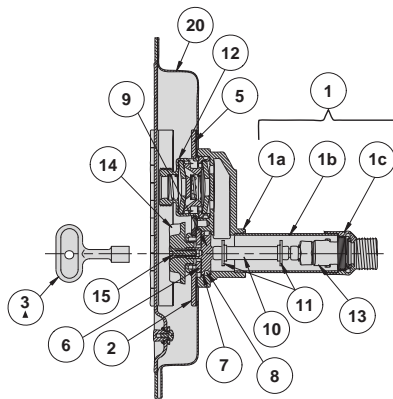


Fig. 5519
Fig. 5619

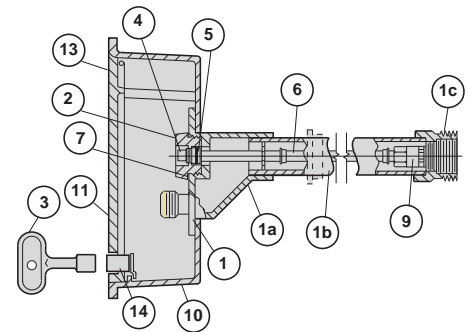


Fig. 5560QT
Fig. 5561QT

REPLACEMENT PARTS LIST WITH USE BY FIGURE NUMBER SPECIFY FIGURE NUMBER WHEN ORDERING

PART NO.	DESCRIPTION	FIGURE NUMBER				PART NO.	DESCRIPTION	FIGURE NUMBER	
		5509QT	5560QT	5561QT	5609QT			5519	5619
1	HEAD/CASING ASSY.					1	HEAD/CASING ASSY.		
2	FACE NUT					2	WALL PLATE ASSY.		
3	KEY					3	KEY		
4	ACTUATOR SHAFT					5	WALL PLATE GASKET		
5	ACTUATOR "O" RING					6	STATIONARY OPERATOR PIECE		
6	OPERATING ROD					7	MOVEABLE OPERATOR PIECE		
7	FACE NUT WASHER					8	MOVEABLE OPERATOR O-RING		
8	VACUUM BREAKER ASSY					9	DRAIN HOLE SEAL (2)		
10	BOX					10	OPERATOR ROD		
11	COVER					11	OPERATOR ROD GUIDES (2)		
12	BACKER PLATE					12	VB/DUAL CHECK VALVE ASSY.		
13	HINGE PINS (2)					13	ACTUATOR CARTRIDGE		
14	LOCKING DEVICE					20	BOX		

NOTE: HYDRANT PART NUMBERS HAVE CHANGED OVER THE YEARS.
CONSULT FACTORY BEFORE ORDERING

HYDRANTS TECHNICAL DATA AND OPTIONAL INLET CONNECTIONS

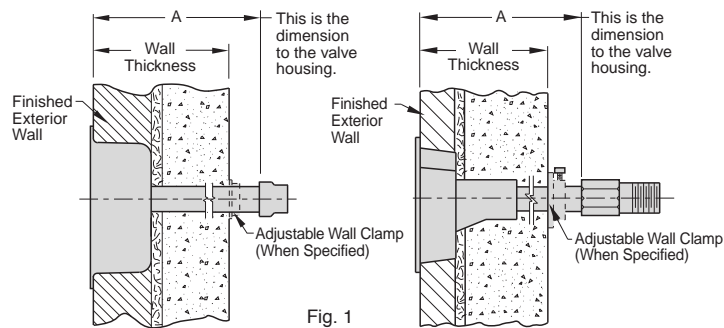


NON-FREEZE GROUND AND POST HYDRANTS are supplied with a special valve housing which prevents freezing of hydrant during non-use periods. The valve housing must be installed below the frost line (minimum depth of bury) which prevails for the area of installation. The valve housing has a drain hole which drains the casing of hydrant when hydrant is shut off. In effect, there is no water in the casing during non-use periods. Normally, water from the drain hole is allowed to drain into the ground. The valve housing should be set in a bed of gravel so that water drained from casing can leach into ground.

Some locations which require Non-Freeze Ground Hydrants cannot tolerate water draining from the drain hole. Examples are parking garages, plazas, and roof decks used for recreational purposes. Often in this type of application the valve housing will protrude into a finished area which is not subject to freezing temperatures. To eliminate the problem of water drainage in this type of installation, Smith can supply a tapped drain hole in the hydrant box and a tapped drain hole in the valve housing. By using the tapped drain hole, water accumulation in the box, and the normal drain down water from the valve housing drain hole can be piped to a suitable drain.

SPECIFYING WALL SIZE Primary function of both 5500 and 5600 Series 1/4 Turn Non-Freeze Wall Hydrants is to supply water to the building exterior without danger of freezing, regardless of how low the outside temperature falls. For this reason, the hydrant must be specified with a casing long enough to locate the valve seat inside the heated building. (Fig. 1) shows how to determine proper size required.

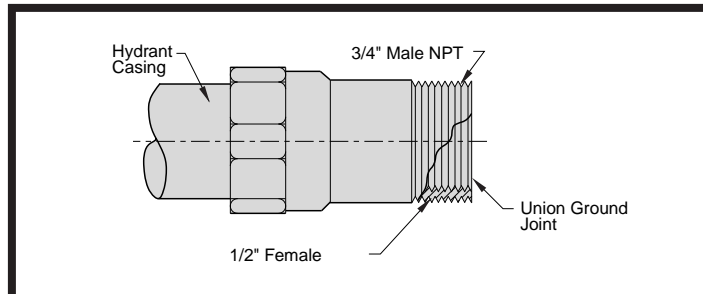
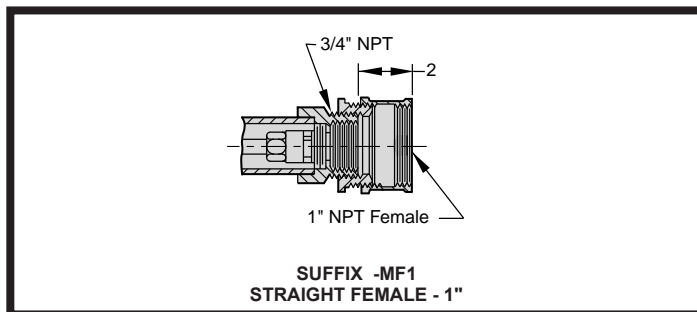
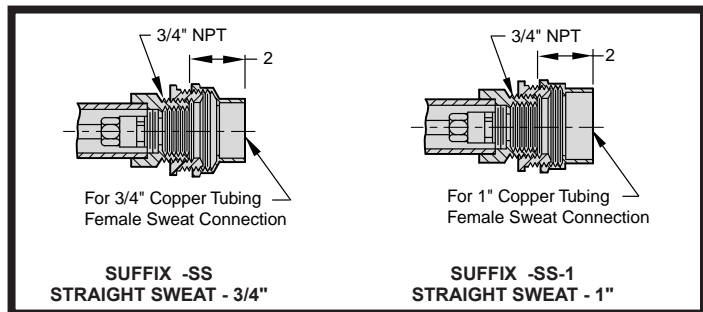
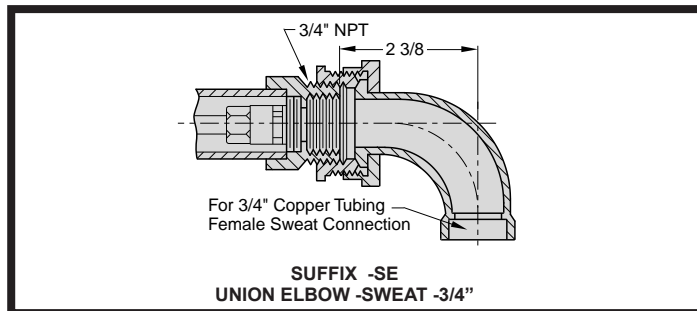
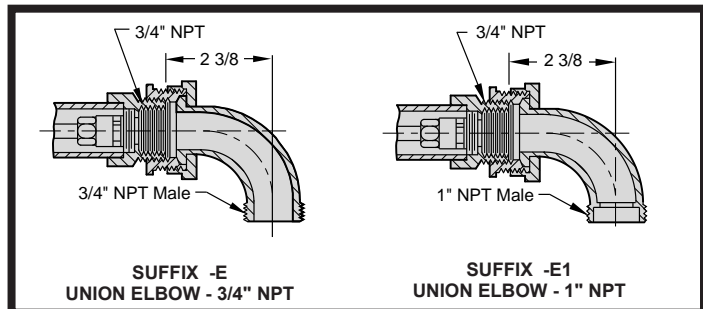
NOTE: All wall hydrant series are available in short as possible types for mild climate installation. Specify series number -SAP.



NOTE: When ordering, specify Figure Number and "A" dimension. "A" should always be greater than wall thickness for non-freeze installations. When a wall clamp is specified, add 1 1/4" to the wall thickness to arrive at a minimum required "A." The "A" specified should be the next larger, even number; such as 06", 08", 10", etc. Wall hydrants are furnished in lengths of 2" increments.

Often, non-freeze wall hydrants must be concealed entirely within the wall. When so required, an overall dimension can be specified. This dimension is measured from face of hydrant box to extreme end of inlet connection. When the valve seat must be concealed within the wall, extra precautions must be taken to properly insulate the valve seat housing to protect against freezing.

OPTIONAL INLET CONNECTIONS



UNIVERSAL INLET CONNECTION

Hydrants are regularly furnished with a unique inlet connection, 3/4" NPT Male thread, 1/2" NPT Female thread, and union ground joint carefully engineered to accommodate inlet connections shown above.

HYDRANTS



FIG. 5509QT QUARTERHORSE-1/4 TURN SS BOX-TYPE HYDRANT W/INTEGRAL VACUUM BREAKER AND CONCEALED HOSE CONNECTION

FUNCTION: Provides positive non-freeze protection where water is required at the outside of the building and features an integral vacuum breaker. The stainless steel recessed box conceals the nozzle and operating mechanism. The locking cover prevents unauthorized use.

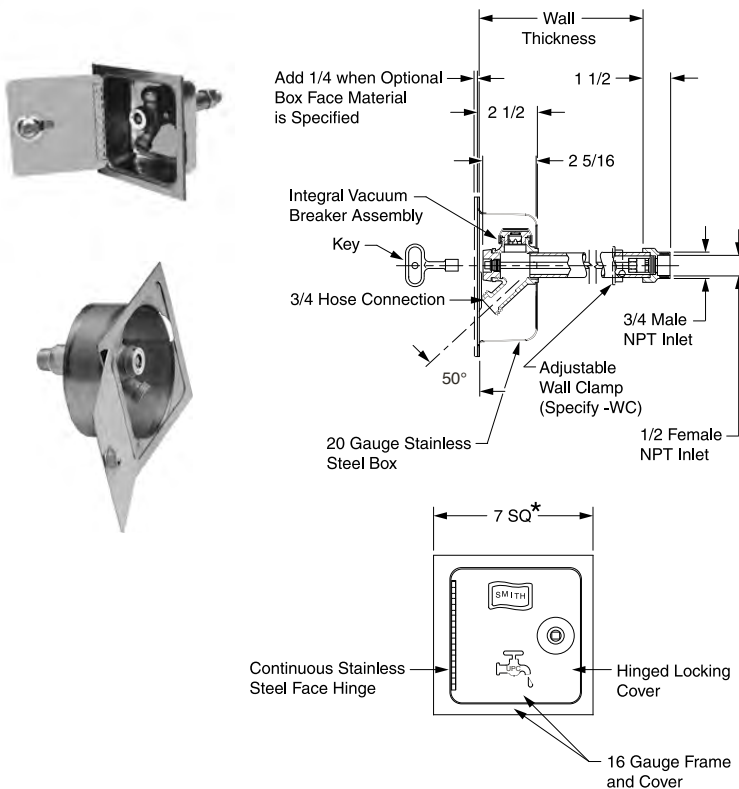


Fig. 5509QT

WALL THICKNESS	3/4" INLET	APPROX WEIGHT LBS
-SAP	834.00	8
06, 08"	1,475.00	9
10, 12, 14, 16"	1,514.00	10
18, 20, 22, 24"	1,557.00	11

REGULARLY FURNISHED: Bronze Nickel Plated Quarter Turn Non-Freeze Hydrant with Hose Connection, Integral Vacuum Breaker, "T" Handle Key, and Stainless Steel Box with Full 180° Cover Opening.

OPTIONS:

	ADD
-CL Cylinder Lock	109.00
-CP Chrome Plated Face	190.00
-E Elbow Inlet	34.00
-E1 1" NPT Elbow Inlet	162.00
-HC1 1" Hose Conn Adaptor	133.00
-IC1** 1" Male NPT Inlet Connection	133.00
-MF1 1" Straight Female Inlet	133.00
-NB Nickel Bronze Face	173.00
-PB Polished Bronze Face	N/C
-RB Rough Bronze Face	38.00
-SE Sweat Elbow Inlet	29.00
-SE1 1" NPT Sweat Elbow Inlet	162.00
-SS Straight Sweat Inlet	N/C
-SS1 1" Straight Sweat Inlet	133.00
-SSR 6" Cored Hole Stainless Steel Box (Round)	172.00
-W "Water" on Cover	N/C
-WC Adjustable Wall Clamp	N/C

LIST

5509QTBASS SS Box w/Hinged Locking Cover	405.00
5509QTBANB SS Box w/Hinged Locking Cover w/NB Face	571.00
5509QTBAPB SS Box w/Hinged Locking Cover w/PB Face	444.00
5509QTBARB SS Box w/Hinged Locking Cover w/RB Face	444.00
5509QTBACP SS Box w/Hinged Locking Cover w/CP Face	588.00

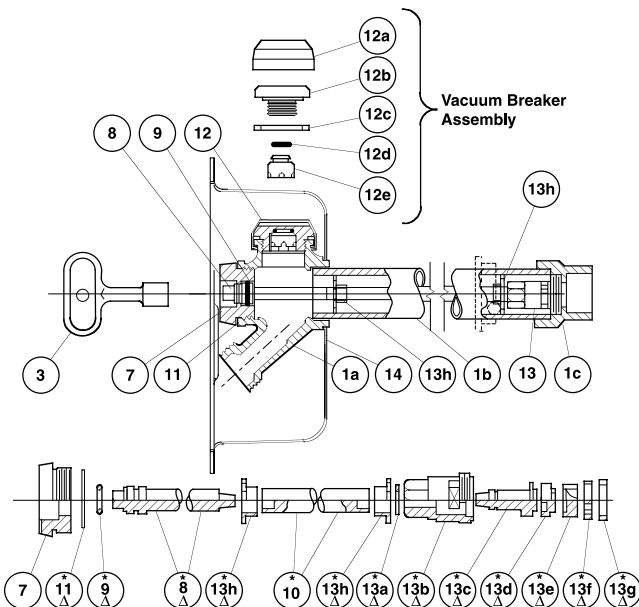
For Hydrant Parts Repair Kit, refer to Net Parts Price Guide.

NOTES:

- *Recommended wall opening 6" x 6". Hydrant shall be in the vertical position only, the connection must be on the bottom.
- When ordering, specify wall thickness in 2" increments as follows: 06, 08, 10, 12, 14, 16, 18, 20, 22 or 24. When wall clamp -WC is desired, increase wall thickness dimension by 2".
- All Jay R. Smith hydrants are manufactured with "NO-LEAD" brazing rings, and USDA approved lubricants.
- When an Optional Box Face Material is Specified a Concealed Hinge will be Provided, also add 1/4" to Flange Thickness.
- FOR IRRIGATION PURPOSES ONLY.**

** Add 3/4" to overall length when specified.

Seepage of a small amount of water may occur from the vacuum breaker upon the initial opening and closing of this hydrant. This is normal operation.



HYDRANT PARTS LIST					
NO.	DESCRIPTION	NO.	DESCRIPTION	NO.	DESCRIPTION
1	Head/Casing Assembly	10	Operator Rod	13a	Retaining Ring
1a	Head	11	Face Nut Washer	13b	Valve Body
1b	Casing	12	Vacuum Breaker Assembly	13c	Valve Actuator
1c	Valve Housing	12a	VB Cap	13d	Nylon Thrust Washer
3	Key	12b	VB Body	13e	Rotating Ceramic Disc
7	Face Nut	12c	VB Washer	13f	Fixed Ceramic Disc
8	Actuator Shaft	12d	VB "O" Ring	13g	Silicon Rubber Seal
9	Actuator "O" Ring	12e	VB Piston	13h	Retainer Guide (2)
		13	Valve Body Assembly	14	Box Assembly S.S.

Δ These Replacement Parts Available in HPRK-7

* All Parts Accessible from Face of Hydrant by Removing Face Nut.

HYDRANTS



HYDRANTS

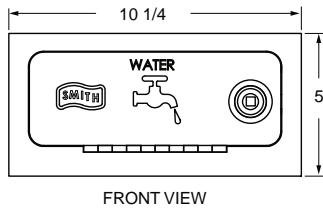
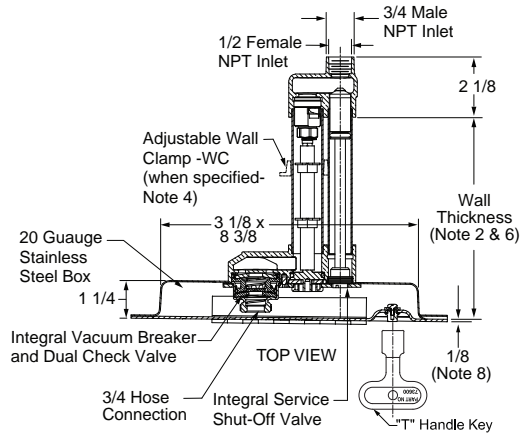
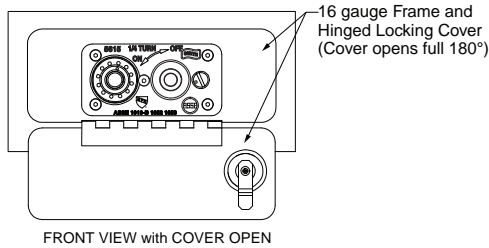


FIG. 5515 LEAD FREE - GUARDIAN PLUS DUAL CHECK, 1/4 TURN NON-FREEZE HYDRANT WITH AUTOMATIC DRAINING INTEGRAL VACUUM BREAKER, INTEGRAL SERVICE SHUT-OFF VALVE, DUAL CHECK VALVE W/SS BOX

FUNCTION: Provides positive non-freeze protection where water is required at the outside of the building and features an integral vacuum breaker, dual check valve and water service shut-off valve. The stainless steel box conceals the nozzle and operating mechanism. The locking cover prevents unauthorized use.



1/4 Turn of the Key or Wheel Handle Allows Full Flow to be Obtained



OPTIONS:

Option Code	Description	NET ADD
-CL	Cylinder Lock	POA
-CP	Chrome Plated Box Face	POA
-HC1	1" Hose Conn Adaptor	POA
-IC1	1" Male Inlet Connection (Note 5)	POA
-NB	Nickel Bronze Box Face	POA
-PB	Polished Bronze Box Face	POA
-RB	Rough Bronze Box Face	POA
-WC	Adjustable Wall Clamp	POA
-WH	Wheel Handle	POA

NET ADD

NOTES:

- Recommended wall opening 3 3/16 x 8 1/2.
- When ordering, specify wall thickness in 1" increments as follows 5,6,7,8,9.....24.
- All Jay R. Smith hydrants are manufactured with "NO-LEAD" brazing rings, and USDA approved lubricants.
- When wall clamp -WC is desired, increase wall thickness dimension by 2".
- Add 3/4" to Overall Length when IC1 is specified.
- *When specifying (-SAP) the wall thickness shall be 3.
- The AB1953, California Lead Law, and NSF/ANSI Standard 61-2008 - Drinking Water Systems Components are not applicable to Jay R. Smith hydrants as they do not convey/dispense water for human consumption through drinking or cooking.
- Add 3/8" when optional box face material is specified.
- An additional inlet isolation or shut-off valve is usually unneeded with this hydrant, but if required it should be mounted 10 ft or more from the hydrant inlet.
- Working Pressure: 25.0 psi to 125.0 psi
- Temperature Range: 33.0° F to 140.0° F (.06° C to 60.0° C).
- This ASSE 1019 device shall not be subjected to more than twelve (12) hours of continuous water pressure.
- FOR IRRIGATION PURPOSES ONLY.**

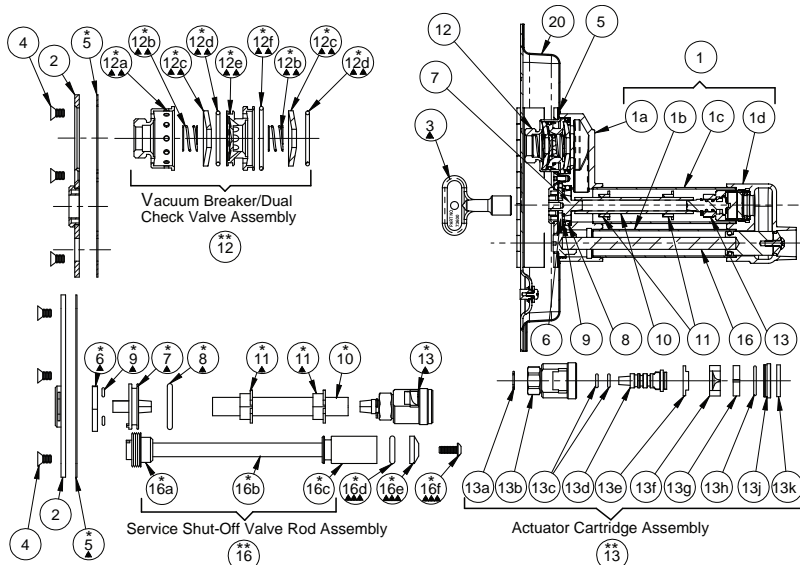
For Hydrant Parts Repair Kit, refer to Net Parts Price Guide.

WALL THICKNESS	3/4" INLET
-SAP*	POA
05 - 08"	POA
09 - 16"	POA
17 - 24"	POA
25 - 31"	POA

Seepage of a small amount of water may occur from the vacuum breaker upon the initial opening and closing of this hydrant. This is normal operation.

Meets ASME A112.21.3M Specifications
Complies w/ ASSE 1019-B,1052 and 1053.
IAPMO Listed- File #2749
PATENT PENDING

REGULARLY FURNISHED: Bronze Quarter Turn Non-Freeze, Lead Free Automatic Draining Hydrant with Stainless Steel Face, Hose Connection, Integral Vacuum Breaker, Integral Service Shut-Off Valve, Dual Check Valve, "T" Handle Key and Stainless Steel Box with Full 180° Cover Opening.



HYDRANT PARTS LIST			
NO.	DESCRIPTION	NO.	DESCRIPTION
1	Casing Assembly	12e	**Flow Diverter
1a	Head	12f	**Large O-Ring
1b	Casing	13	Actuator Cartridge Assembly
1c	Casing	13a	**Retaining Ring
1d	Valve Housing	13b	**Valve Body
2	Wall Plate Assembly	13c	**Actuator O-Ring (2)
3	Key	13d	**Valve Actuator
4	Wall Plate Securing Screw (5)	13e	**Nylon Thrust Washer
5	Wall Plate Gasket	13f	**Rotating Ceramic Disc
6	Stationary Operator Piece	13g	**Fixed Ceramic Disc
7	Moveable Operator Piece	13h	**O-Ring
8	Moveable Operator O-Ring	13j	**O-Ring Gasket Retainer
9	Drain Hole Seal (2)	13k	**Rubber Seal
10	Operator Rod	16	Service Valve Rod Assembly
11	Operator Rod Guides (2)	16a	**Service Valve Operator
12	Vacuum Breaker/Dual Check Valve Assembly	16b	**Service Valve Rod
12a	**Vacuum Breaker Housing	16c	**Service Valve Plunger
12b	**Spring (2)	16d	Service Valve O-Ring
12c	**Cone Washer (2)	16e	Service Valve Conical Washer
12d	**Small O-Ring	16f	Service Valve Washer Screw
20	Box Assembly		

▲ These Replacement Parts Available in HPRK-19

▲▲ These Replacement Parts Available in HPRK-19VB

▲▲▲ These Replacement Parts Available in HPRK-15SV

* These Parts Accessible from Face of Hydrant by Removing Wall Plate Assembly.

**Parts supplied as an assembly only, see part 12,13 or 16.



HYDRANTS

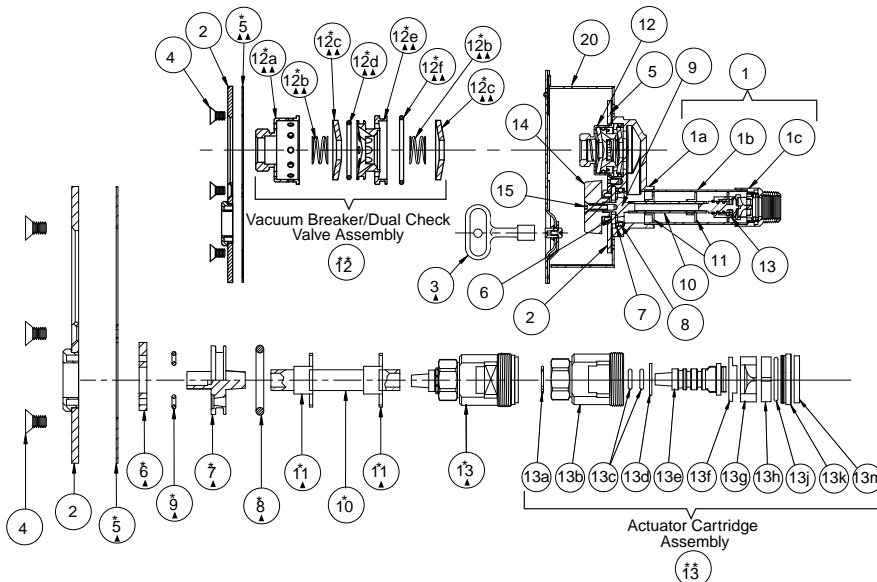
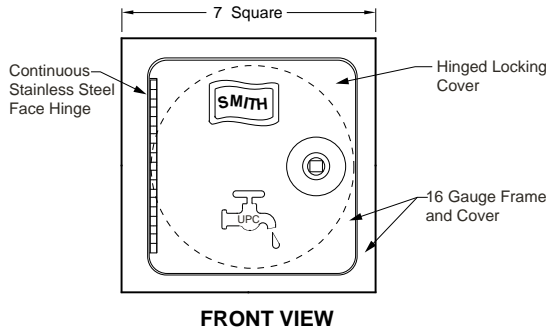
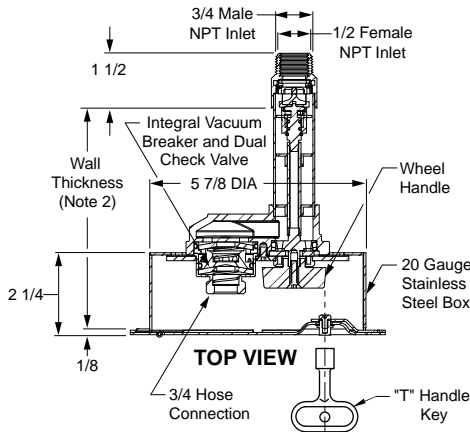
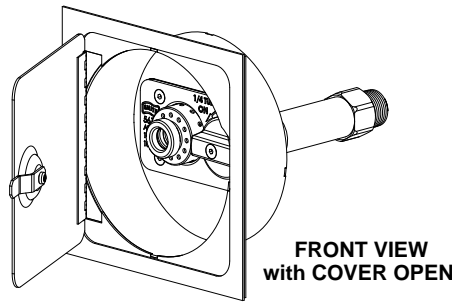
SMITH®

FIG. 5517 GUARDIAN DUAL CHECK-1/4 TURN NON-FREEZE WALL HYDRANT W/AUTOMATIC DRAINING INTEGRAL VACUUM BREAKER, DUAL CHECK VALVE AND SS BOX FOR 6" DIA. CORED HOLE IN CONCRETE EXTERIOR WALL



CUSTOMER DRIVEN SINCE 1926

FUNCTION: Provides positive non-freeze protection where water is required at the outside of the building and features an integral vacuum breaker and dual check valve. The stainless steel recessed box conceals the nozzle and operating mechanism. The locking cover prevents unauthorized use.



OPTIONS:

-CL	Cylinder Lock	ADD
-HC1	1" Hose Conn Adaptor	117.00
-IC1	1" Male Inlet Connection (Note 5)	133.00
-W	"Water" on Cover	N/C
-WC	Adjustable Wall Clamp	N/C

NOTES:

1. Recommended wall opening 6" DIA.
2. When ordering, specify wall thickness in 1" increments as follows 5,6,7,8,9.....24.
3. All Jay R. Smith hydrants are manufactured with "NO-LEAD" brazing rings, and USDA approved lubricants.
4. When wall clamp -WC is desired, increase wall thickness dimension by 2".
5. Add 3/4" to Overall Length when IC1 is specified.
6. *When specifying Fig. 5517 (-SAP) the wall thickness shall be 5.
7. The AB1953, California Lead Law, and NSF/ANSI Standard 61-2008 - Drinking Water System Components are not applicable to Jay R. Smith hydrants as they do not convey/dispense water for human consumption through drinking or cooking.
8. **FOR IRRIGATION PURPOSES ONLY.**

For Hydrant Parts Repair Kit, refer to Net Parts Price Guide.

Meets ANSI A112.21.3M Specifications
Complies w/ ASSE 1019-B,1052 and 1053.
IAPMO Listed- File #2749
Patent No. US 6,752,167

Seepage of a small amount of water may occur from the vacuum breaker upon the initial opening and closing of this hydrant. This is normal operation.

WALL THICKNESS	3/4" INLET
-SAP*	1,131.00
05 - 08"	1,282.00
09 - 16"	1,372.00
17 - 24"	1,461.00
25 - 31"	1,551.00

REGULARLY FURNISHED: Bronze Quarter Turn Non-Freeze Automatic Draining Hydrant with Stainless Steel Face, Hose Connection, Integral Vacuum Breaker and Dual Check Valve, "T" Handle Key, Wheel Handle and Stainless Steel Box with Full 180° Cover Opening.

HYDRANT PARTS LIST			
NO.	DESCRIPTION	NO.	DESCRIPTION
1	Casing Assembly	12e	**Flow Diverter
1a	Head	12f	**Large O-Ring
1b	Casing	13	Actuator Cartridge Assembly
1c	Valve Housing	13a	**Retaining Ring
2	Wall Plate Assembly	13b	**Valve Body
3	Key	13c	**Actuator O-Ring (2)
4	Wall Plate Securing Screw	13d	**Nylon Thrust Spacer
5	Wall Plate Gasket (5)	13e	**Valve Actuator
6	Stationary Operator Piece	13f	**Nylon Thrust Washer
7	Moveable Operator Piece	13g	**Rotating Ceramic Disc
8	Moveable Operator O-Ring	13h	**Fixed Ceramic Disc
9	Drain Hole Seal (2)	13j	**O-Ring
10	Operator Rod	13k	**O-Ring Gasket Retainer
11	Operator Rod Guides (2)	13m	**Rubber Seal
12	Vacuum Breaker/Dual Check Valve Assembly	14	Wheel Handle
12a	**Vacuum Breaker Housing	15	Wheel Handle Screw
12b	**Spring (2)	20	Box Assembly
12c	**Cone Washer (2)		
12d	**Small O-Ring		

▲ These Replacement Parts Available in HPRK-19
▲▲ These Replacement Parts Available in HPRK-19VB
* These Parts Accessible from Face of Hydrant by Removing Wall Plate Assembly.
** Parts supplied as an assembly only, see part 12 or 13.

HYDRANTS

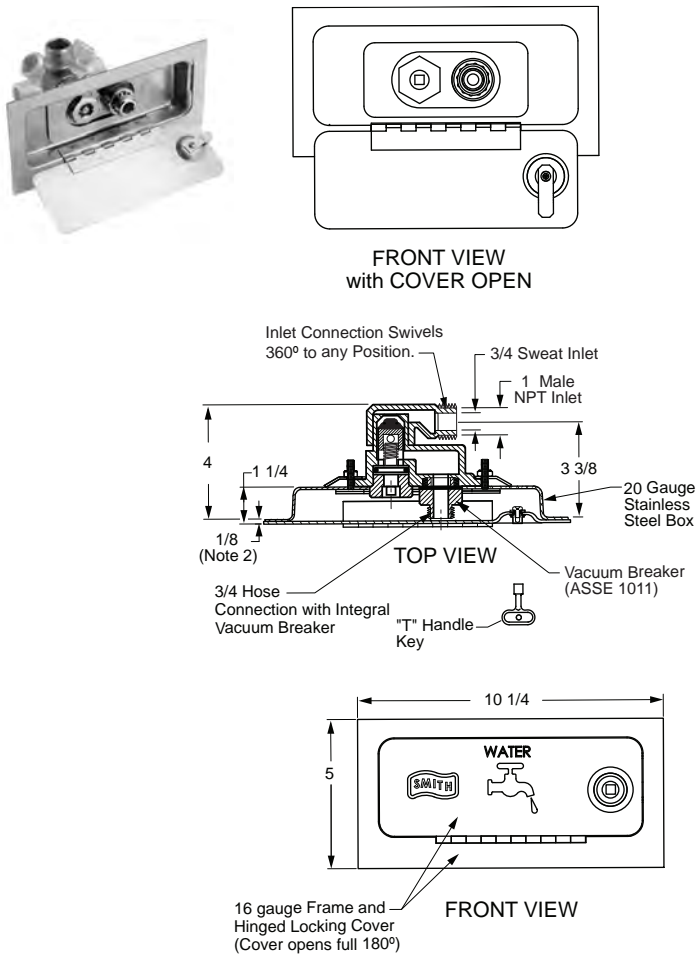


HYDRANTS



FIG. 5518 NARROW WALL WARM CLIMATE BOX TYPE HYDRANT WITH CONCEALED HOSE CONNECTION

FUNCTION: For installation in interior or exterior wall of building where a concealed hose connection is desired and there is no danger of freezing. Hydrant features an integral type vacuum breaker. The locking cover prevents unauthorized use.



OPTIONS:

	ADD
-CL Cylinder Lock	109.00
-CP Chrome Plated Box Face.....	190.00
-NB Nickel Bronze Box Face	173.00
-PB Polished Bronze Box Face	38.00
-RB Rough Bronze Box Face	38.00

NOTES:

1. Recommended wall opening 3 3/16 x 8 1/2".
2. Add 3/8" when optional box face material is specified.
3. All Jay R. Smith hydrants are manufactured with "NO-LEAD" brazing rings, and USDA approved lubricants.
4. The AB1953, California Lead Law, and NSF/ANSI Standard 61-2008 - Drinking Water System Components are not applicable to Jay R. Smith hydrants as they do not convey/dispense water for human consumption through drinking or cooking.
5. **FOR IRRIGATION PURPOSES ONLY.**

Seepage of a small amount of water may occur from the vacuum breaker upon the initial opening and closing of this hydrant. This is normal operation.

WALL THICKNESS	1" INLET
Narrow Wall	876.00

REGULARLY FURNISHED: All Bronze Warm Climate Hydrant with Hose Connection having Integral ASSE 1011 Vacuum Breaker, 360° Swivel Inlet Connection, "T" Handle Key and Stainless Steel Box.

FIG. 5518-R NARROW WALL WARM CLIMATE BOX TYPE HYDRANT WITH 6" CORED HOLE STAINLESS STEEL BOX

FUNCTION: For installation in interior or exterior wall of building where a concealed hose connection is desired and there is no danger of freezing. Hydrant features an integral type vacuum breaker. The stainless steel recessed box conceals the nozzle and operating mechanism. The locking cover prevents unauthorized use.

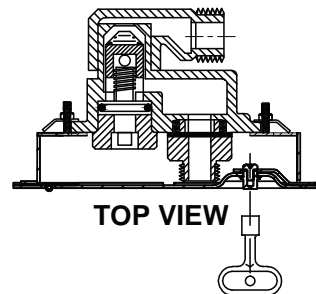
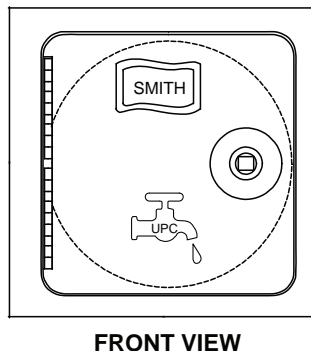


NPT INLET
1" Male

†Stainless Steel
Box
POA

ADD FOR:

-CL Cylinder Lock.....	POA
-W "Water" on Cover	POA



HYDRANTS



FIG. 5519 GUARDIAN DUAL CHECK-1/4 TURN NON-FREEZE WALL SS BOX-TYPE HYDRANT W/AUTOMATIC DRAINING INTEGRAL VACUUM BREAKER, DUAL CHECK VALVE AND CONCEALED HOSE CONN.

FUNCTION: Provides positive non-freeze protection where water is required at the outside of the building and features an integral vacuum breaker and dual check valve. The stainless steel recessed box conceals the nozzle and operating mechanism. The locking cover prevents unauthorized use.

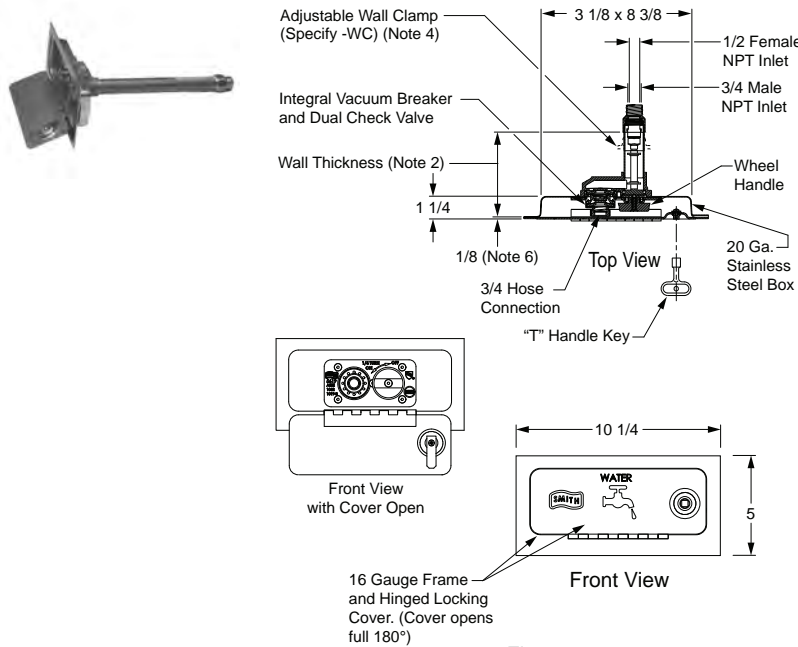


Fig. 5519

WALL THICKNESS	3/4" INLET	APPROX WEIGHT LBS
-SAP*	959.00	8
05 - 08"	1,195.00	9
09 - 16"	1,243.00	10
17 - 24"	1,318.00	11
25 - 31"	1,723.00	14

REGULARLY FURNISHED: Bronze Quarter Turn Non-Freeze Automatic Draining Hydrant with Stainless Steel Face, Hose Connection, Integral Vacuum Breaker and Dual Check Valve, "T" Handle Key, Wheel Handle and Stainless Steel Box with Full 180° Cover Opening.

OPTIONS:

	ADD
-CL Cylinder Lock	109.00
-CP Chrome Plated Face	190.00
-E Elbow Inlet	29.00
-E1 1" NPT Elbow Inlet	162.00
-HC1 1" Hose Conn Adaptor	133.00
-IC1 1" Male NPT Inlet Connection (Note 5)	133.00
-MF1 1" Straight Female Inlet	133.00
-NB Nickel Bronze Face	173.00
-PB Polished Bronze Face	40.00
-RB Rough Bronze Face	38.00
-SE Sweat Elbow Inlet	29.00
-SE1 1" NPT Sweat Elbow Inlet	162.00
-SS Straight Sweat Inlet	N/C
-SS1 1" Straight Sweat Inlet	133.00
-WC Adjustable Wall Clamp	N/C

LIST

5519BASS	SS Box Assembly	N/C
5519BANB	Nickel Bronze Box Assembly	662.00
5519BAPB	Polished Bronze Box Assembly	529.00
5519BACP	Chrome Plated Box Assembly	679.00

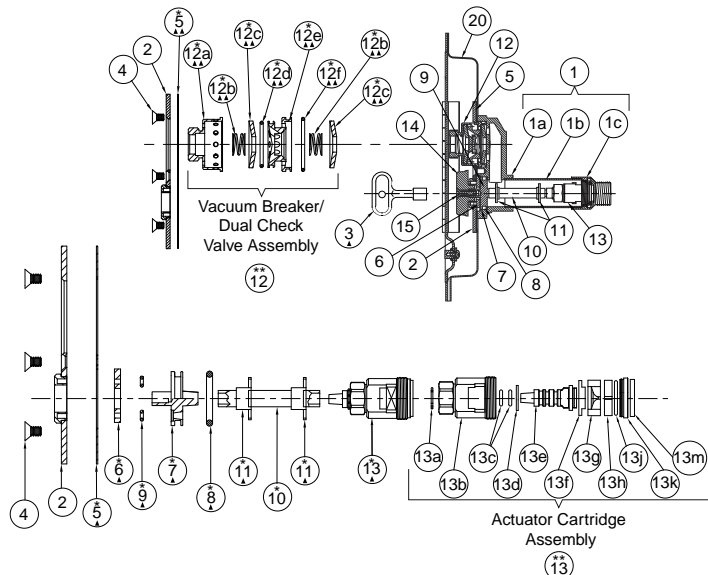
For Hydrant Parts Repair Kit, refer to Net Parts Price Guide.

NOTES:

1. Recommended wall opening 3 3/16 x 8 1/2".
2. When ordering, specify wall thickness in 1" increments as follows 5,6,7,8,9.....24.
3. All Jay R. Smith hydrants are manufactured with "NO-LEAD" brazing rings, and USDA approved lubricants.
4. When wall clamp -WC is desired, increase wall thickness dimension by 2".
5. Add 3/4" to Overall Length when 1" NPT Male Inlet Connection is specified.
6. Add 3/8" When Optional Box Face Material is specified.
7. *When specifying Fig. 5519 (-SAP) the wall thickness shall be 3".
8. The AB1953, California Lead Law, and NSF/ANSI Standard 61-2008 - Drinking Water System Components are not applicable to Jay R. Smith hydrants as they do not convey/dispense water for human consumption through drinking or cooking.
9. **FOR IRRIGATION PURPOSES ONLY.**

Seepage of a small amount of water may occur from the vacuum breaker upon the initial opening and closing of this hydrant. This is normal operation.

Meets ANSI A112.21.3M Specifications
Complies w/ ASSE 1019-B,1052 and 1053.
IAPMO Listed- File #2749
Patent No. US 6,752,167



HYDRANT PARTS LIST

NO.	DESCRIPTION	NO.	DESCRIPTION	NO.	DESCRIPTION
1	Casing Assembly	12	Vacuum Breaker/Dual Check Valve Assembly	13e	**Valve Actuator
1a	Head	12a	**Vacuum Breaker Housing	13f	**Nylon Thrust Washer
1b	Casing	12b	**Spring (2)	13g	**Rotating Ceramic Disc
1c	Valve Housing	12c	**Cone Washer (2)	13h	**Fixed Ceramic Disc
2	Wall Plate Assembly	12d	**Small O-Ring	13j	**O-Ring
3	Key	12e	**Flow Diverter	13k	**O-Ring Gasket Retainer
4	Wall Plate Securing Screw (5)	12f	**Large O-Ring	13m	**Rubber Seal
5	Wall Plate Gasket	13	Actuator Cartridge Assembly	14	Wheel Handle
6	Stationary Operator Piece	13a	**Retaining Ring	15	Wheel Handle Screw
7	Movable Operator Piece	13b	**Valve Body	20	Box Assembly
8	Movable Operator O-Ring	13c	**Actuator O-Ring (2)		
9	Drain Hole Seal (2)	13d	**Nylon Thrust Spacer		
10	Operator Rod				
11	Operator Rod Guides (2)				

▲ These Replacement Parts Available in HPRK-19

▲▲ These Replacement Parts Available in HPRK-19VB

* These Parts Accessible from Face of Hydrant by Removing Wall Plate Assembly.

* * Parts supplied as an assembly only, see part 12 or 13.

HYDRANTS



HYDRANTS

SMITH®



FIG. 5560QT SER. QUARTERHORSE-1/4 TURN "TWIN TEMP" CHROME PLATED BRONZE BOX-TYPE HYDRANT W/CONCEALED HOSE CONNECTION FOR HOT & COLD WATER

FUNCTION: Provides positive non-freeze protection where water is required at the outside of the building. Ideal for use in food handling areas, dairies and other places where both hot and cold water are desired. The recessed box conceals the hose connection and operating mechanisms. 1/4 turn of the key allows full flow to be obtained. The locking cover prevents unauthorized use.

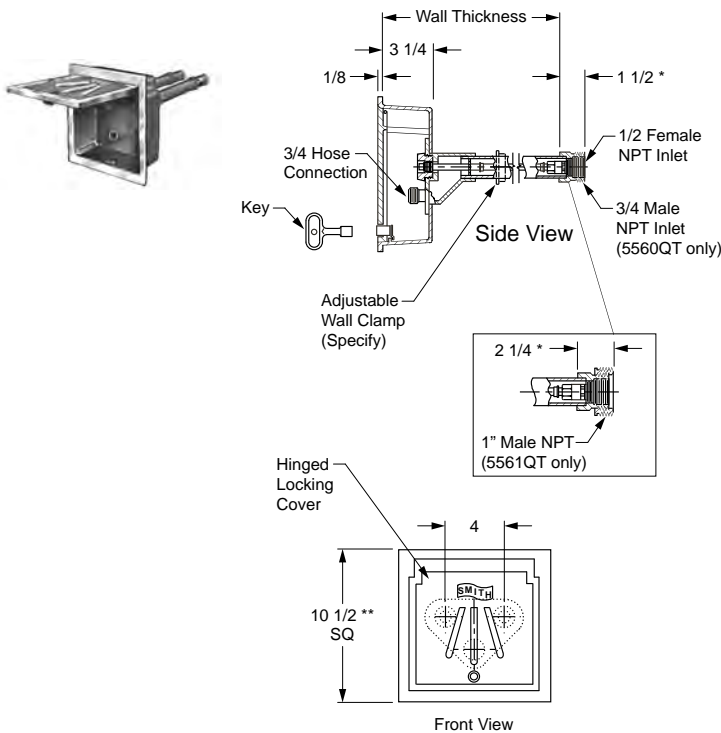


Fig. 5560QT

WALL THICKNESS	5560QT 3/4" INLET	5561QT 1" INLET	APPROX WEIGHT LBS
-SAP	2,206.00	2,466.00	12
08"	2,985.00	3,107.00	13
10, 12, 14"	3,042.00	3,164.00	14
16, 18"	3,080.00	3,203.00	15
20, 22, 24"	3,164.00	3,284.00	17

REGULARLY FURNISHED: Bronze Nickel Plated Quarter Turn Non-Freeze "Twin-Temp" Hydrant with Hose Connection, "T" Handle Key, and Bronze Box with Chrome Plated Face, and Inlet Size Furnished as Indicated by Figure Number Selected.

OPTIONS:

-CL	Cylinder Lock	109.00
-E	Elbow Inlets	34.00
-E1	1" NPT Elbow Inlets	325.00
-H	3/4" Vacuum Breaker	86.00
-HC1	1" Hose Conn Adaptor	133.00
-MF1	1" Straight Female Inlets	266.00
-SE	Sweat Elbow Inlets	59.00
-SE1	1" NPT Sweat Elbow Inlets	325.00
-SS	Straight Sweat Inlets	N/C
-SS1	1" Straight Sweat Inlets	266.00
-W	"Water" on Cover	N/C
-WC	Adjustable Wall Clamps	N/C
-WH	Wheel Handle	182.00

DEDUCT

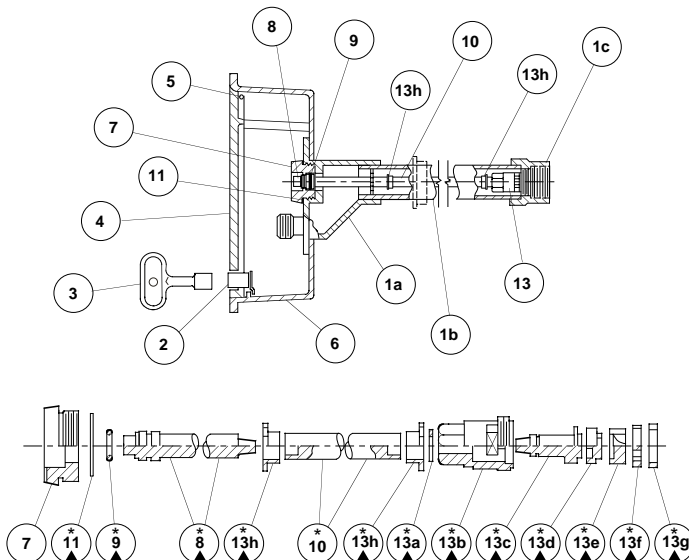
-LB	Less Box.....	571.00
-NB	NB Face, Deduct	29.00
-PB	PB Face, Deduct	43.00
-RB	RB Face, Deduct	43.00

For Hydrant Parts Repair Kit, refer to Net Parts Price Guide.

*When specifying a 5561QT, add 3/4" to length of inlet connection as shown.

NOTES:

- **Recommended Wall Opening 9 3/4" x 9 3/4".
- When ordering, specify wall thickness in 2" increments as follows: 6, 8, 10, 12, 14, 16, 18, 20, 22 or 24. When wall clamp -WC is desired, increase wall thickness dimension by 2".
- For 6" wall use 5560QT-SAP or 5561QT-SAP.
- All Jay R. Smith hydrants are manufactured with "NO-LEAD" brazing rings and USDA approved lubricants.
- The AB1953, California Lead Law, and NSF/ANSI Standard 61-2008 - Drinking Water System Components are not applicable to Jay R. Smith hydrants as they do not convey/dispense water for human consumption through drinking or cooking.
- FOR IRRIGATION PURPOSES ONLY.**



HYDRANT PARTS LIST					
NO.	DESCRIPTION	NO.	DESCRIPTION	NO.	DESCRIPTION
1	Head/Casing Assembly	6	Box	13b	Valve Body
1a	Head	7	Face Nut	13c	Valve Actuator
1b	Casing	8	Actuator Shaft	13d	Nylon Thrust Washer
1c	Valve Housing	9	Actuator "O" Ring	13e	Rotating Ceramic Disc
2	Locking Device	10	Operator Rod	13f	Fixed Ceramic Disc
3	Key	11	Face Nut Washer	13g	Silicon Rubber Seal
4	Cover	13	Valve Body Assembly	13h	Retainer Guide (2)
5	Hinge Pins (2)	13a	Retaining Ring		

▲ These Replacement Parts Available in HPRK-7 (2) Repair Kits

* These Parts Accessible from Face of Hydrant by Removing Face Nut.



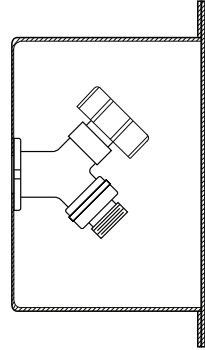
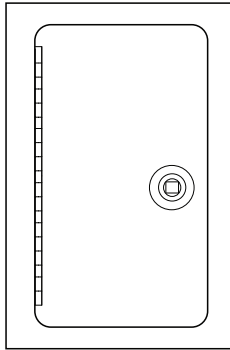
HYDRANTS



FIG. 5572, 5573 MILD CLIMATE ANTI-SIPHON SILLCOCK AND STAINLESS STEEL BOX

FUNCTION: For installation in interior and exterior wall locations of buildings that are not subject to freezing. Vacuum breaker prevents contamination of potable water supply and conforms to the requirements and ASSE Standard 1011. The stainless steel recessed box conceals the nozzle and operating mechanism. The locking cover prevents unauthorized use.

Inlet Connection	Series No.	†Rough Brass POA
1/2"	5572	POA
3/4"	5573	POA

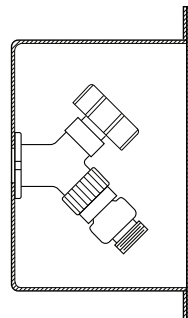
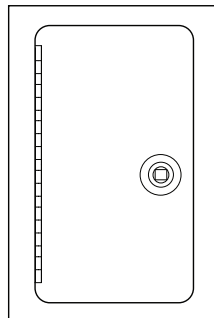


Female Threaded Inlet

FIG. 5572-BFP, 5573-BFP MILD CLIMATE ANTI-SIPHON SILLCOCK W/DUAL CHECK VALVE AND SS BOX

FUNCTION: For installation in interior and exterior wall locations of buildings that are not subject to freezing. Dual Check prevents backflow due to low head pressure and conforms to the requirements of ASSE Standard 1052. The stainless steel recessed box conceals the nozzle and operating mechanism. The locking cover prevents unauthorized use.

Inlet Connection	Series No.	†Rough Brass POA
1/2"	5572-BFP	POA
3/4"	5573-BFP	POA



Female Threaded Inlet

HYDRANTS

HYDRANTS

SMITH®



FIG. 5609QT QUARTERHORSE-1/4 TURN HYDRANT W/INTEGRAL VACUUM BREAKER AND EXPOSED HOSE CONNECTION

FUNCTION: For installation in interior or exterior building walls where an exposed hose connection is acceptable. Provides positive non-freeze protection and features an integral vacuum breaker. Adaptable to all types of wall construction.

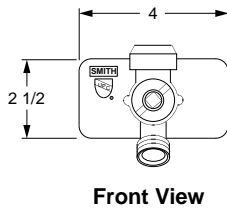
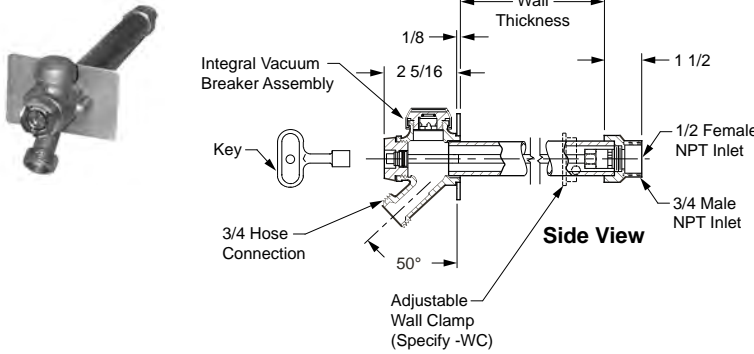


Fig. 5609QT

OPTIONS:

	ADD
-CP Chrome Plated Face	58.00
-E Elbow Inlet	34.00
-E1 1" NPT Elbow Inlet	162.00
-HC1 1" Hose Conn Adaptor	133.00
-IC1 1" Male NPT Inlet Connection*	133.00
-MF1 1" Straight Female Inlet	133.00
-PB Polished Bronze Face	N/C
-SS Straight Sweat Inlet	N/C
-SS1 1" Straight Sweat Inlet	133.00
-SE Sweat Elbow Inlet	29.00
-SE1 1" NPT Sweat Elbow Inlet	162.00
-WC Adjustable Wall Clamp	N/C
-WH Wheel Handle	182.00

*Add 3/4" to Overall Length When Specified

For Hydrant Parts Repair Kit, refer to Net Parts Price Guide.

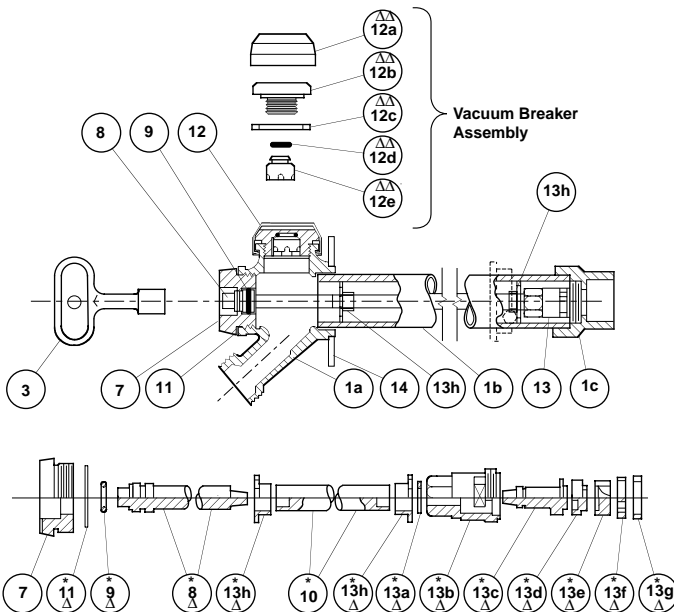
NOTES:

1. Recommended wall opening 2 x 2. Hydrant shall be in the vertical position only, the hose connection must be on the bottom.
2. When ordering, specify wall thickness in 02" increment as follows: 04, 06, 08, 10, 12, 14, 16, 18, 20, 22 or 24". When wall clamp -WC is desired, increase wall thickness dimension by 2".
3. All Jay R. Smith hydrants are manufactured with "NO-LEAD" brazing rings and USDA approved lubricants.
4. The AB1953, California Lead Law, and NSF/ANSI Standard 61-2008 - Drinking Water System Components are not applicable to Jay R. Smith hydrants as they do not convey/dispense water for human consumption through drinking or cooking.
5. **FOR IRRIGATION PURPOSES ONLY.**

WALL THICKNESS	3/4" INLET	APPROX WEIGHT LBS
-SAP	408.00	7
04, 06"	1,061.00	8
08, 10, 12, 14"	1,101.00	9
16, 18, 20, 22"	1,146.00	10
24, 26, 28, 30"	1,252.00	12

Seepage of a small amount of water may occur from the vacuum breaker upon the initial opening and closing of this hydrant. This is normal operation.

REGULARLY FURNISHED: Bronze Nickel Plated Quarter Turn Non-Freeze Hydrant with 3/4" Hose Connection, Backer Plate, Integral Vacuum Breaker with Vandal Resistant Cap and "T" Handle Key.



HYDRANT PARTS LIST			
NO.	DESCRIPTION	NO.	DESCRIPTION
1	Head/Casing Assembly	10	Operator Rod
1a	Head	11	Face Nut Washer
1b	Casing	12	Vacuum Breaker Assembly
1c	Valve Housing	12a	VB Cap
3	Key	12b	VB Body
7	Face Nut	12c	VB Washer
8	Actuator Shaft	12d	VB "O" Ring
9	Actuator "O" Ring	12e	VB Piston
		13	Valve Body Assembly
		13a	Retaining Ring
		13b	Valve Body
		13c	Valve Actuator
		13d	Nylon Thrust Washer
		13e	Rotating Ceramic Disc
		13f	Fixed Ceramic Disc
		13g	Silicon Rubber Seal
		13h	Retainer Guide (2)
		14	Backer Plate w/Screws

Δ These Replacement Parts Available in HPRK-7

ΔΔ These Replacement Parts Available in HPRK-7VB

* These Parts Accessible from Face of Hydrant by Removing Face Nut.

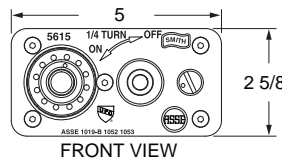
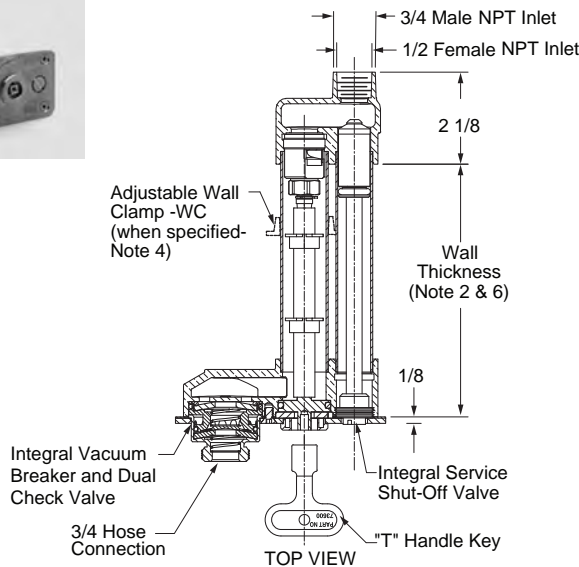


HYDRANTS



FIG. 5615 LEAD FREE GUARDIAN PLUS DUAL CHECK, 1/4 TURN NON-FREEZE HYDRANT WITH AUTOMATIC DRAINING INTEGRAL VACUUM BREAKER, INTEGRAL SERVICE SHUT-OFF VALVE, DUAL CHECK VALVE

FUNCTION: For installation in interior or exterior walls where an exposed hose connection is acceptable. It provides positive non-freeze protection and integral water service shut-off valve. Adaptable to all types of wall construction.



WALL THICKNESS	3/4" INLET
-SAP*	POA
05 - 08"	POA
09 - 16"	POA
17 - 24"	POA
25 - 31"	POA

OPTIONS:

-HC1	1" Hose Conn Adaptor	POA
-IC1	1" Male NPT Inlet Connection (Note 5).....	POA
-WC	Adjustable Wall Clamp	POA
-WH	Wheel Handle	POA

NET ADD

NOTES:

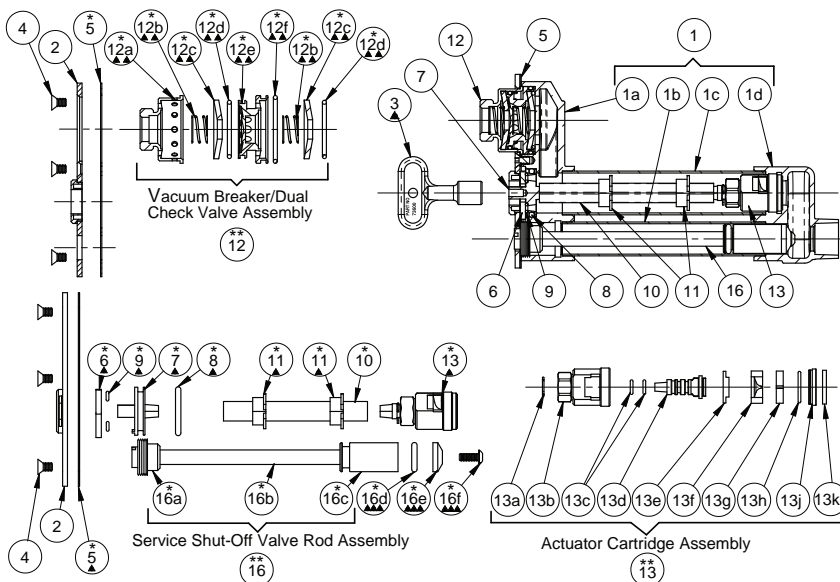
1. Recommended wall opening 2 1/4 x 4 3/4.
2. When ordering, specify wall thickness in 1" increments as follows 4, 5, 6.....24.
3. All Jay R. Smith hydrants are manufactured with "NO-LEAD" brazing rings and USDA approved lubricants.
4. When wall clamp -WC is desired, increase wall thickness dimension by 2.
5. Add 3/4" to Overall Length when IC1 is specified.
6. *When specifying (-SAP) the wall thickness shall be 2.
7. The AB1953, California Lead Law, and NFS/ANSI Standard 61-2008 - Drinking Water Systems Components are not applicable to Jay R. Smith hydrants as they do not convey/dispense water for human consumption through drinking or cooking.
8. An additional inlet isolation or shut-off valve is usually unneeded with this hydrant, but if required it should be mounted 10 ft or more from the hydrant inlet.
9. Working Pressure: 25.0 psi to 125.0 psi
10. Temperature Range: 33.0° F to 140.0° F (.06° C to 60.0° C).
11. This ASSE 1019 device shall not be subjected to more than twelve (12) hours of continuous water pressure.
12. **FOR IRRIGATION PURPOSES ONLY.**

For Hydrant Parts Repair Kit, refer to Net Parts Price Guide.

Meets ASME A112.21.3M Specifications
Complies w/ ASSE 1019-B,1052 and 1053.
IAPMO Listed- File #2749
PATENT PENDING

Seepage of a small amount of water may occur from the vacuum breaker upon the initial opening and closing of this hydrant. This is normal operation.

REGULARLY FURNISHED: Bronze Quarter Turn Non-Freeze, Lead Free Automatic Draining Hydrant with Stainless Steel Face, Hose Connection, Integral Vacuum Breaker, Integral Service Shut-Off Valve, Dual Check Valve, "T" Handle Key.



HYDRANTS PARTS LIST

NO.	DESCRIPTION	NO.	DESCRIPTION
1	Casing Assembly	12e	**Flow Diverter
1a	Head	12f	**Large O-Ring
1b	Casing	13	Actuator Cartridge Assembly
1c	Casing	13a	**Retaining Ring
1d	Valve Housing	13b	**Valve Body
2	Wall Plate Assembly	13c	**Actuator O-Ring (2)
3	Key	13d	**Valve Actuator
4	Wall Plate Securing Screw (5)	13e	**Nylon Thrust Washer
5	Wall Plate Gasket	13f	**Rotating Ceramic Disc
6	Stationary Operator Piece	13g	**Fixed Ceramic Disc
7	Moveable Operator Piece	13h	**O-Ring
8	Moveable Operator O-Ring	13j	**O-Ring Gasket Retainer
9	Drain Hole Seal (2)	13k	**Rubber Seal
10	Operator Rod	16	Service Valve Rod Assembly
11	Operator Rod Guides (2)	16a	**Service Valve Operator
12	Vacuum Breaker/Dual Check Valve Assembly	16b	**Service Valve Rod
12a	**Vacuum Breaker Housing	16c	**Service Valve Plunger
12b	**Spring (2)	16d	Service Valve O-Ring
12c	**Cone Washer (2)	16e	Service Valve Conical Washer
12d	**Small O-Ring	16f	Service Valve Washer Screw

- ▲ These Replacement Parts Available in HPRK-19
- ▲▲ These Replacement Parts Available in HPRK-19VB
- ▲▲▲ These Replacement Parts Available in HPRK-15SV
- * These Parts Accessible from Face of Hydrant by Removing Wall Plate Assembly.
- **Parts supplied as an assembly only, see part 12,13 or 16.

HYDRANTS

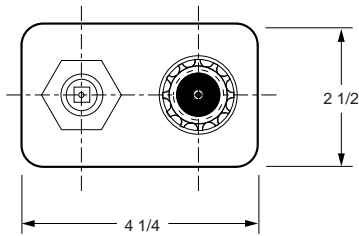


HYDRANTS

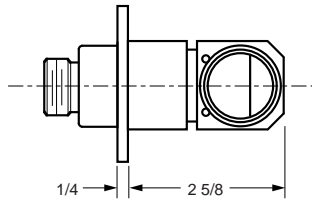
FIG. 5618 NARROW WALL WARM CLIMATE HYDRANT WITH INTEGRAL VACUUM BREAKER AND EXPOSED HOSE CONNECTION



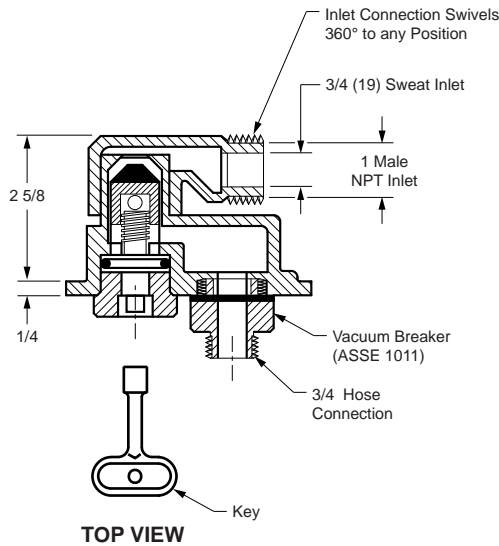
FUNCTION: For installation in interior or exterior wall of building where a concealed hose connection is desired and there is no danger of freezing. Hydrant features an integral type vacuum breaker. The locking cover prevents unauthorized use.



FRONT VIEW



SIDE VIEW



TOP VIEW

NOTES:

1. Recommended wall opening 2 x 3 3/4".
2. All Jay R. Smith hydrants are manufactured with "NO-LEAD" brazing rings, and USDA approved lubricants.
3. The AB1953, California Lead Law, and NSF/ANSI Standard 61-2008 - Drinking Water System Components are not applicable to Jay R. Smith hydrants as they do not convey/dispense water for human consumption through drinking or cooking.
4. Lead Free Construction/Materials.
5. **FOR IRRIGATION PURPOSES ONLY.**

Seepage of a small amount of water may occur from the vacuum breaker upon the initial opening and closing of this hydrant. This is normal operation.

WALL THICKNESS	1" INLET
Narrow Wall	473.00

REGULARLY FURNISHED: All Bronze Warm Climate Hydrant with Chrome Plated Face, Hose Connection and Integral ASSE 1011 Vacuum Breaker, 360° Swivel Inlet Connection and "T" Handle Key.



HYDRANTS



FIG. 5619 GUARDIAN DUAL CHECK-1/4 TURN HYDRANT W/INTEGRAL VACUUM BREAKER, DUAL CHECK VALVE AND EXPOSED HOSE CONNECTION

FUNCTION: For installation in interior or exterior building walls where an exposed hose connection is acceptable. Provides positive non-freeze protection. Adaptable to all types of wall construction.

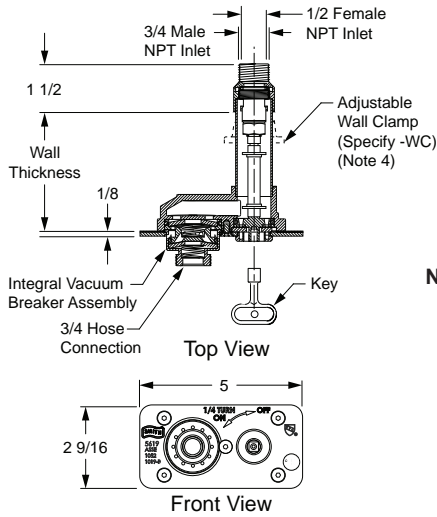


Fig. 5619

OPTIONS:

	ADD
-CP Chrome Plated Face	58.00
-E Elbow Inlet	29.00
-E1 1" NPT Elbow Inlet	162.00
-HC1 1" Hose Conn Adaptor	133.00
-IC1 1" Male NPT Inlet Connection (Note 5)	133.00
-MF1 1" Straight Female Inlet	133.00
-PB Polished Bronze Face	38.00
-SE Sweat Elbow Inlet	29.00
-SE1 1" NPT Sweat Elbow Inlet	162.00
-SS Straight Sweat Inlet	N/C
-SS1 1" Straight Sweat Inlet	133.00
-WC Adjustable Wall Clamp	N/C
-WH Wheel Handle	182.00

For Hydrant Parts Repair Kit, refer to Net Parts Price Guide.

NOTES:

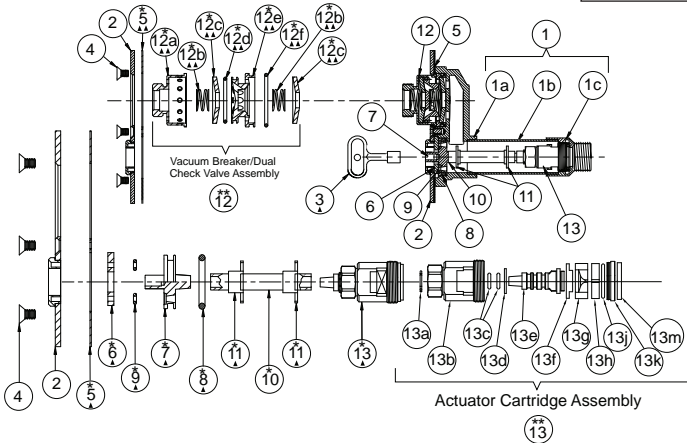
1. Recommended wall opening 2 1/4 x 4".
2. When ordering, specify wall thickness in 1 increments as follows 4,5,6,7,8.....24.
3. All Jay R. Smith hydrants are manufactured with "NO-LEAD" brazing rings, and USDA approved lubricants.
4. When wall clamp -WC is desired, increase wall thickness dimension by 2".
5. Add 3/4" to Overall Length When Specified.
6. *When specifying Fig. 5619 (-SAP) the wall thickness shall be 2".
7. The AB1953, California Lead Law, and NSF/ANSI Standard 61-2008 - Drinking Water System Components are not applicable to Jay R. Smith hydrants as they do not convey/dispense water for human consumption through drinking or cooking.
8. **FOR IRRIGATION PURPOSES ONLY.**

REGULARLY FURNISHED: Bronze Quarter Turn Non-Freeze Automatic Draining Hydrant with Stainless Steel Face, Hose Connection, Integral Vacuum Breaker and Dual Check Valve and "T" Handle Key.

WALL THICKNESS	3/4" INLET	APPROX WEIGHT LBS
-SAP*	471.00	7
04 - 07"	747.00	8
08 - 15"	795.00	9
16 - 23"	870.00	10
24 - 30"	937.00	12

Meets ANSI A112.21.3M Specifications
 Complies w/ ASSE 1019-B,1052 and 1053.
 IAPMO Listed- File #2749
 Patent No. US 6,752,167

Seepage of a small amount of water may occur from the vacuum breaker upon the initial opening and closing of this hydrant. This is normal operation.



HYDRANT PARTS LIST			
NO.	DESCRIPTION	NO.	DESCRIPTION
1	Casing Assembly	10	Operator Rod
1a	Head	11	Operator Rod Guides (2)
1b	Casing	12	Vacuum Breaker/Dual Check Valve Assembly
1c	Valve Housing	12a	**Vacuum Breaker Housing
2	Wall Plate Assembly	12b	**Spring (2)
3	Key	12c	**Cone Washer (2)
4	Wall Plate Securing Screw (5)	12d	**Small O-Ring
5	Wall Plate Gasket	12e	**Flow Diverter
6	Stationary Operator Piece	12f	**Large O-Ring
7	Movable Operator Piece	13	Actuator Cartridge Assembly
8	Movable Operator O-Ring	13a	**Retaining Ring
9	Drain Hole Seal (2)	13b	**Valve Body
		13c	**Actuator O-Ring (2)
		13d	**Nylon Thrust Spacer
		13e	**Valve Actuator
		13f	**Nylon Thrust Washer
		13g	**Rotating Ceramic Disc
		13h	**Fixed Ceramic Disc
		13j	**O-Ring
		13k	**O-Ring Gasket Retainer
		13m	**Rubber Seal

▲ These Replacement Parts Available in HPRK-19
 ▲▲ These Replacement Parts Available in HPRK-19VB

* These Parts Accessible from Face of Hydrant by Removing Wall Plate Assembly.
 ** Parts supplied as an assembly only, see part 12 or 13.

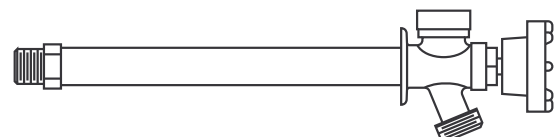
FIG. 5630 SERIES FREEZELESS SILLCOCK

FUNCTION: For installation in interior or exterior building walls where an exposed hose connection is acceptable. Self-Draining feature provides positive non-freeze protection and integral vacuum breaker provides backflow protection.



Wall Size	*Inlet Connection	Series No.	†Chrome
4"	3/4" x 1/2"	5630-04	POA
6"	3/4" x 1/2"	5630-06	POA
8"	3/4" x 1/2"	5630-08	POA
10"	3/4" x 1/2"	5630-10	POA
12"	3/4" x 1/2"	5630-12	POA

*Male Threaded x Female Threaded Inlet



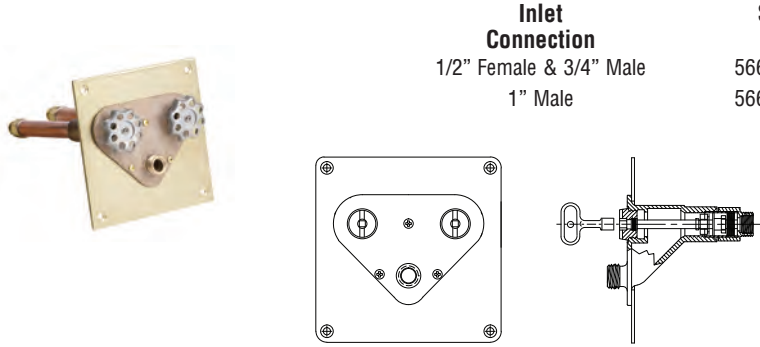
COMMERCIAL EXPOSED WALL HYDRANTS & WALL HOSE VALVES

SMITH®

FIG. 5660QT-SAP, 5661QT-SAP EXPOSED 1/4 TURN WARM CLIMATE "TWIN TEMP" WALL HYDRANT



FUNCTION: For installation in walls where there is no danger of freezing. Ideal for use in food handling areas, dairies and other places where both hot and cold water are desired. 1/4 turn of the key allows full flow to be obtained.



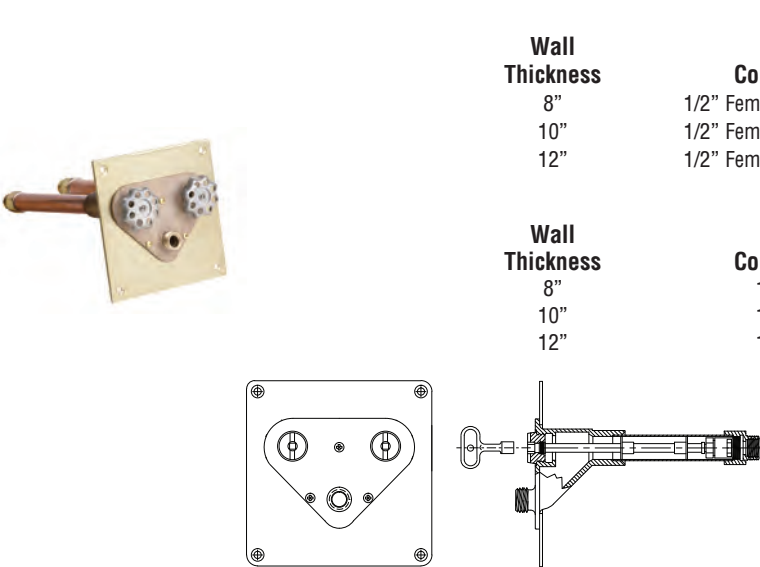
Inlet Connection	Series No.	†Polished Brass Face
1/2" Female & 3/4" Male 1" Male	5660QT-SAP 5661QT-SAP	POA POA

ADD FOR:

- H Vacuum Breaker Self Draining TypePOA
- WH Wheel Handle (Each) **requires 2**POA

FIG. 5660QT, 5661QT EXPOSED 1/4 TURN WARM CLIMATE "TWIN TEMP" WALL HYDRANT

FUNCTION: Provides positive non-freeze protection where water is required at the outside of the building. Ideal for use in food handling areas, dairies and other places where both hot and cold water are desired. 1/4 turn of the key allows full flow to be obtained.



Wall Thickness	Inlet Connection	5660QT †Polished Brass Face
8" 10" 12"	1/2" Female & 3/4" Male 1/2" Female & 3/4" Male 1/2" Female & 3/4" Male	POA POA POA
Wall Thickness	Inlet Connection	5661QT †Polished Brass Face
8" 10" 12"	1" Male 1" Male 1" Male	POA POA POA

ADD FOR:

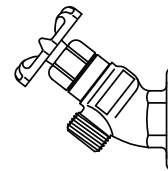
- H Vacuum Breaker Self Draining TypePOA
- WH Wheel Handle (Each) **requires 2**POA

FIG. 5670 HOSE VALVE BENT NOSE WITH FLANGE

FUNCTION: For installation in interior and exterior wall locations of buildings that are not subject to freezing. Valves feature a replaceable cartridge which contains all wearing parts including the seat. Optional vacuum breaker prevents contamination of potable water supply and conforms to the requirements of ASSE Standard 1011.



FIG. NO.	NPT INLET	†Rough Brass	Polished Chrome Plated	Rough Chrome Plated
5670	3/4"	POA	POA	POA



Female Threaded Inlet
Fig. 5670 (Less Vacuum Breaker)

FIG. 5670-H HOSE VALVE BENT NOSE WITH FLANGE W/VACUUM BREAKER

FUNCTION: For installation in interior and exterior wall locations of buildings that are not subject to freezing. Valves feature a replaceable cartridge which contains all wearing parts including the seat. Optional vacuum breaker prevents contamination of potable water supply and conforms to the requirements of ASSE Standard 1011.



FIG. NO.	NPT INLET	†Rough Brass	Polished Chrome Plated	Rough Chrome Plated
5670-H	3/4"	POA	POA	POA

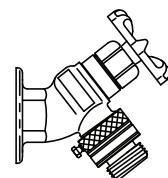


Fig. 5670 -H (With Vacuum Breaker)

WALL HOSE VALVES & STANDPIPE HOSE VALVES



FIG. 5672, 5673 MILD CLIMATE SILLCOCK

FUNCTION: For installation in walls where there is no danger of freezing. Ideal for use in food handling areas, dairies and other places where both hot and cold water are desired. 1/4 turn of the key allows full flow to be obtained.

Inlet Connection	Series No.	†Rough Brass
1/2"	5672	POA
3/4"	5673	POA
Inlet Connection	Series No.	†Rough Chrome
1/2"	5672 (-CR)	POA
3/4"	5673 (-CR)	POA

ADD FOR:

-BFP Dual Check ValvePOA

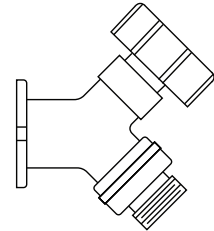


FIG. 5675 HOSE VALVES BENT NOSE

FUNCTION: For installation on supply pipes 6" to 36" high in interior and exterior locations that are not subject to freezing. Valves feature a replaceable cartridge which contains all wearing parts including the seat. Optional vacuum breaker prevents contamination of potable water supply and conforms to the requirements of ASSE Standard 1011.



NPT INLET	†Rough Brass	Polished Chrome Plated	Rough Chrome Plated
3/4"	POA	POA	POA

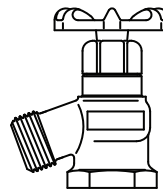


Fig. 5675
(Less Vacuum Breaker)

Female Threaded Inlet

FIG. 5675-H HOSE VALVES BENT NOSE W/VACUUM BREAKER

NPT INLET	†Rough Brass	Polished Chrome Plated	Rough Chrome Plated
3/4"	POA	POA	POA

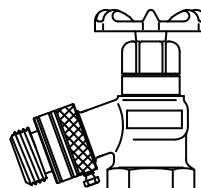


Fig. 5675-H
(With Vacuum Breaker)

Female Threaded Inlet

HYDRANTS

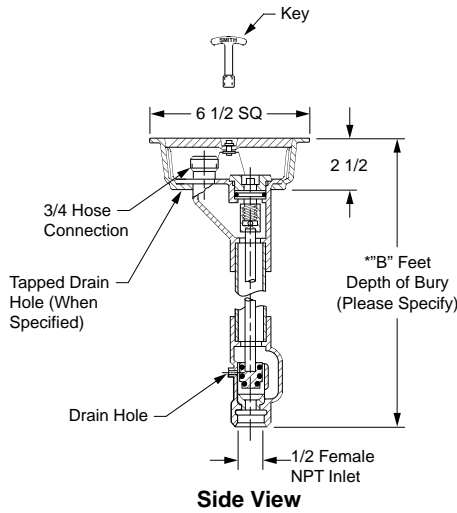


HYDRANTS

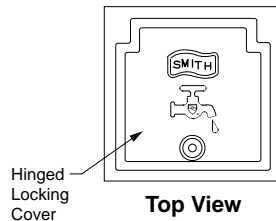
FIG. 5810 SER. BRONZE NON-FREEZE GROUND HYDRANT W/ROUGH BRONZE BOX AND BRONZE CASING



FUNCTION: A Hydrant with a hinged covered box, for positive protection against freezing when buried outside or in unheated areas and the closing valve is located below the frost line. When hydrant is shut off, water is drained from the casing through the drain hole in the valve housing. The locking cover prevents unauthorized use.



Side View



Top View

Fig. 5810

REGULARLY FURNISHED: Bronze Non-Freeze Ground Hydrant with "T" Handle Key and Bronze Hydrant Box. Inlet Size Furnished as Indicated by Figure Number Selected.

OPTIONS:

-CL	Cylinder Lock	117.00
-CP	Chrome Plated Box	190.00
-H	3/4" Vacuum Breaker	N/C
-HC1	1" Hose Conn Adaptor	133.00
-LD	Less Drain Hole	N/C
-N	1/8" NPT Drain Hole in Box	117.00
-NB	Nickel Bronze Box.....	173.00
-NV	1/8" NPT Drain Hole in Housing	N/C
-PB	Polished Bronze Box.....	38.00
-W	"Water" on Cover	N/C

ADD

For Hydrant Parts Repair Kit, refer to Net Parts Price Guide.

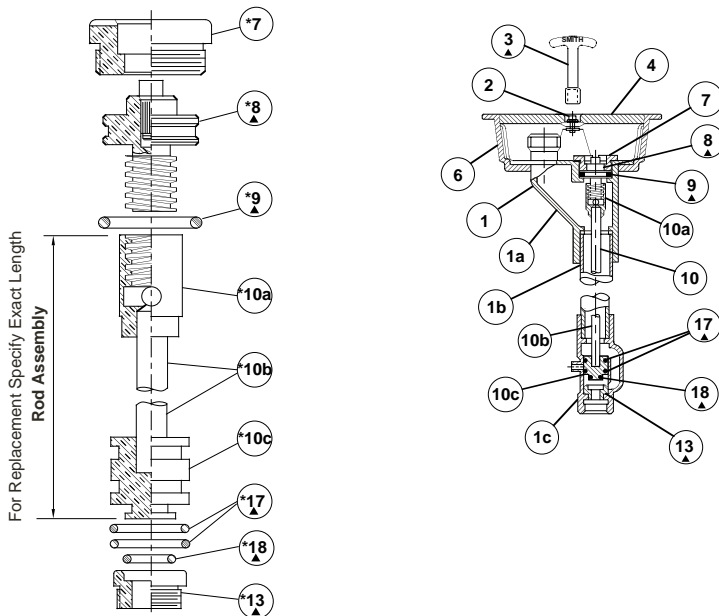
NOTES:

1. Recommended Box-out 5 3/4 x 5 3/4".
2. All Jay R. Smith hydrants are manufactured with "NO-LEAD" brazing rings and USDA approved lubricants.
3. The AB1953, California Lead Law, and NSF/ANSI Standard 61-2008 - Drinking Water System Components are not applicable to Jay R. Smith hydrants as they do not convey/dispense water for human consumption through drinking or cooking.
4. FOR IRRIGATION PURPOSES ONLY.

Addition of vacuum breaker will not allow draining of the casing. Smith is not responsible for any casings that burst or related incidents if the hydrant is supplied with a vacuum breaker.

*B = 9 1/2" when specified (-SAP)

B FEET DEPTH OF BURY	5810 3/4" INLET	5811 1" INLET	APPROX WEIGHT LBS
-SAP	1,434.00	1,521.00	8
02'	2,629.00	2,922.00	17
03'	2,629.00	2,958.00	21
04'	2,715.00	3,257.00	25
05'	2,754.00	3,046.00	33
06'	2,799.00	3,087.00	39
07'	2,937.00	3,239.00	45
08'	3,081.00	3,404.00	52
09'	3,238.00	3,571.00	54
10'	3,397.00	3,746.00	56



REPLACEMENT PARTS - SPECIFY FIG. NO. WHEN ORDERING

No.	DESCRIPTION	No.	DESCRIPTION
1	Head/Casing Assembly	8	Operating Screw
1a	Head	9	Operating Screw "O" Ring
1b	Casing	10	Operating Rod Assembly
1c	Valve Housing	10a	Coupling
2	Locking Device	10b	Rod
3	Key	10c	Plunger
4	Cover	13	Removable Seat
5	Hydrant Cover Hinge Pins (2)	17	Plunger "O" Ring
6	Box	18	Plunger "O" Ring
7	Face Nut		

▲ These Replacement Parts Available in HPRK-41

* These parts are accessible from face of hydrant by removing face nut.

MAINTENANCE INSTRUCTIONS

1. Shut off water supply.
2. Remove face nut.
3. Pull stem out for complete access to all working parts.
4. Check all working parts for replacement.
5. Replace complete stem assembly and face nut.

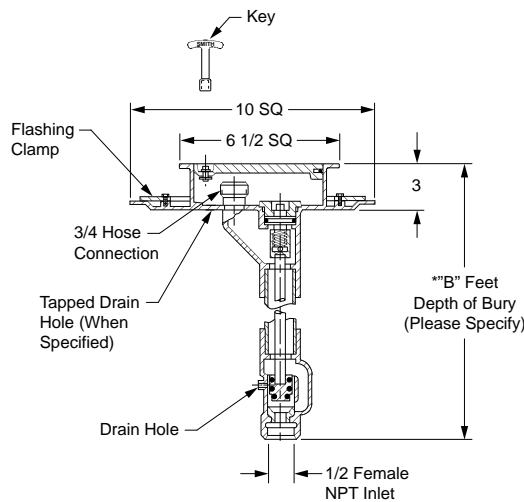


HYDRANTS

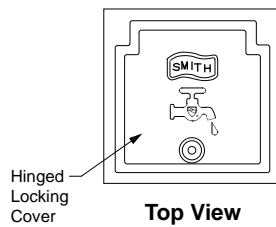
FIG. 5810-F SER. BRONZE NON-FREEZE GROUND HYDRANT W/ROUGH BRONZE BOX, INTEGRAL FLASHING FLANGE AND CLAMP



FUNCTION: A Hydrant with a hinged covered box, for positive protection against freezing when buried outside or in unheated areas and the closing valve is located below the frost line. Used in watertight floor construction where an integrally cast flashing flange is required to receive and secure the waterproofing membranes. When hydrant is shut off, water is drained from the casing through the drain hole in the valve housing. The locking cover prevents unauthorized use.



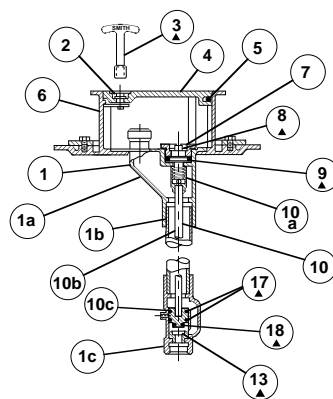
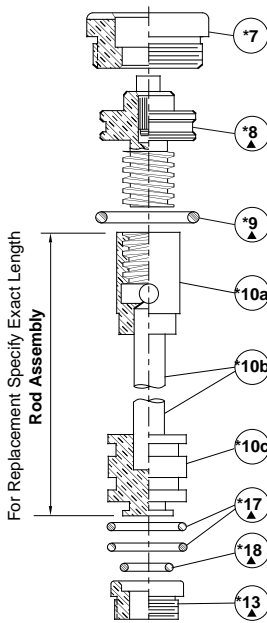
Side View



Top View

Fig. 5810F

REGULARLY FURNISHED: Bronze Non-Freeze Ground Hydrant with "T" Handle Key, Bronze Hydrant Box with Flashing Flange and Clamp. Inlet Size Furnished as Indicated by Figure Number Selected.



OPTIONS:

-CP	Chrome Plated Box.....	117.00	ADD
-H	3/4" Vacuum Breaker (5810 Only)	N/C	
-HC1	1" Hose Conn Adaptor	133.00	
-LD	Less Drain Hole	N/C	
-N	1/8" NPT Drain Hole in Box	117.00	
-NB	Nickel Bronze Box.....	173.00	
-NV	1/8" NPT Drain Hole in Hsg	N/C	
-PB	Polished Bronze Box.....	38.00	
-W	"Water" on Cover	N/C	

DEDUCT

-LFC	Less Flashing Clamp Deduct	46.00
------	----------------------------------	-------

For Hydrant Parts Repair Kit, refer to Net Parts Price Guide.

NOTES:

1. Recommended Box-out 10 1/2 x 10 1/2".
2. All Jay R. Smith hydrants are manufactured with "NO-LEAD" brazing rings and USDA approved lubricants.
3. The AB1953, California Lead Law, and NSF/ANSI Standard 61-2008 - Drinking Water System Components are not applicable to Jay R. Smith hydrants as they do not convey/dispense water for human consumption through drinking or cooking.
4. **FOR IRRIGATION PURPOSES ONLY.**

Addition of vacuum breaker will not allow draining of the casing. Smith is not responsible for any casings that burst or related incidents if the hydrant is supplied with a vacuum breaker.

*B = 9 1/2" when specified (-SAP)

B FEET DEPTH OF BURY	5810-F 3/4" INLET	5811-F 1" INLET	APPROX WEIGHT LBS
-SAP	1,831.00	2,091.00	13
02'	1,831.00	2,091.00	22
03'	1,930.00	2,190.00	26
04'	2,030.00	2,289.00	30
05'	2,129.00	2,387.00	38
06'	2,227.00	2,486.00	44
07'	2,326.00	2,585.00	50
08'	2,425.00	2,684.00	57
09'	2,524.00	2,783.00	64
10'	2,624.00	2,883.00	68

REPLACEMENT PARTS - SPECIFY FIG. NO. WHEN ORDERING

No.	DESCRIPTION	No.	DESCRIPTION
1	Head/Casing Assembly	8	Operating Screw
1a	Head	9	Operating Screw "O" Ring
1b	Casing	10	Operating Rod Assembly
1c	Valve Housing	10a	Coupling
2	Locking Device	10b	Rod
3	Key	10c	Plunger
4	Cover	13	Removable Seat
5	Hydrant Cover Hinge Pins (2)	17	Plunger "O" Ring
6	Box	18	Plunger "O" Ring
7	Face Nut		

▲ These Replacement Parts Available in HPRK-41

*These parts are accessible from face of hydrant by removing face nut.

MAINTENANCE INSTRUCTIONS

1. Shut off water supply.
2. Remove face nut.
3. Pull stem out for complete access to all working parts.
4. Check all working parts for replacement.
5. Replace complete stem assembly and face nut.

HYDRANTS

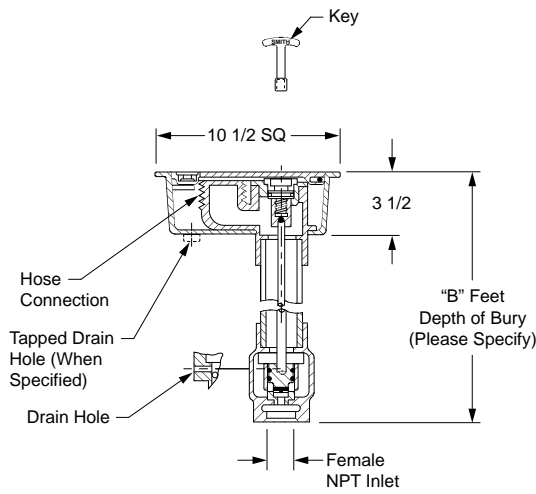


HYDRANTS

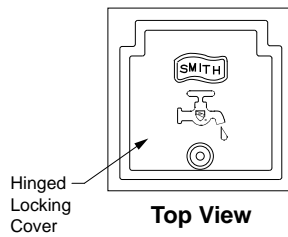
FIG. 5812 SER. BRONZE NON-FREEZE GROUND HYDRANT W/CAST IRON BOX W/ 1 1/4", 1 1/2" OR 2" CONNECTIONS



FUNCTION: A Hydrant with a hinged covered box, for positive protection against freezing when buried outside or in unheated areas and the closing valve is located below the frost line. When hydrant is shut off, water is drained from the casing through the drain hole in the valve housing. The locking cover prevents unauthorized use.



Side View



Top View

Fig. 5812

OPTIONS:

	ADD
-N 1/8" NPT Drain Hole in Box	117.00
-NB Nickel Bronze Box.....	364.00
-NV 1/8" NPT Drain Hole in Hsg	N/C
-PB Polished Bronze Box	N/C
-RB Rough Bronze Box	117.00
-W "Water" on Cover	N/C

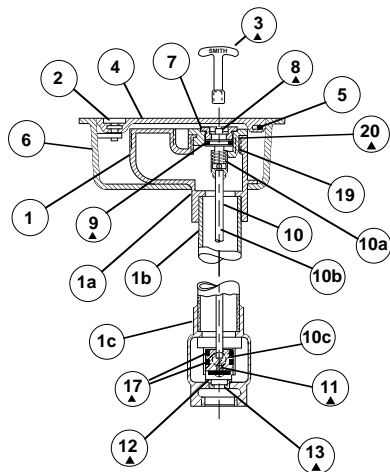
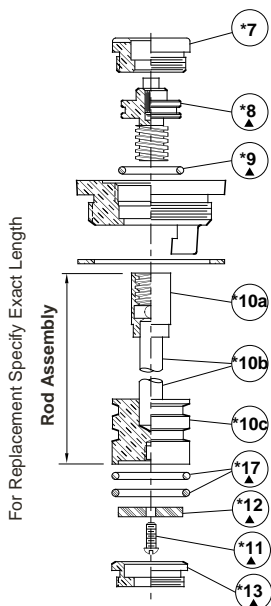
For Hydrant Parts Repair Kit, refer to Net Parts Price Guide.

NOTES:

1. Recommended Box-out 9 1/2 x 9 1/2".
2. All Jay R. Smith hydrants are manufactured with "NO-LEAD" brazing rings and USDA approved lubricants.
3. The AB1953, California Lead Law, and NSF/ANSI Standard 61-2008 - Drinking Water System Components are not applicable to Jay R. Smith hydrants as they do not convey/dispense water for human consumption through drinking or cooking.
4. **FOR IRRIGATION PURPOSES ONLY.**

B FEET DEPTH OF BURY	5812 1 1/4" INLET	5813 1 1/2" INLET	5814 2" INLET	APPROX WEIGHT LBS
-SAP	5,365.00	5,890.00	6,875.00	23
02'	7,408.00	7,668.00	8,511.00	42
03'	7,487.00	7,747.00	8,761.00	47
04'	7,564.00	7,824.00	8,846.00	52
05'	7,642.00	7,900.00	9,083.00	57
06'	7,719.00	7,983.00	9,340.00	62
07'	8,108.00	8,362.00	9,514.00	67
08'	8,323.00	8,574.00	9,754.00	72

REGULARLY FURNISHED: Bronze Non-Freeze Ground Hydrant with "T" Handle Key, Cast Iron Hydrant Box Inlet and Hose Connection. Size Furnished as Indicated by Figure Number Selected.



REPLACEMENT PARTS - SPECIFY FIG. NO. WHEN ORDERING

No.	DESCRIPTION	No.	DESCRIPTION
1	Head/Casing Assembly	9	Operating Screw "O" Ring
1a	Head	10	Operating Rod Assembly
1b	Casing	10a	Coupling
1c	Valve Housing	10b	Rod
2	Locking Device	10c	Plunger
3	Key	11	Washer Screw (No. 10-24)
4	Cover	12	Washer (Neoprene)
5	Hydrant Cover Hinge Pins (2)	13	Removable Seat
6	Box	17	Plunger "O" Ring
7	Face Nut	19	Face Nut Seat
8	Operating Screw	20	Face Nut Seat Gasket

▲These Replacement Parts Available in HPRK-5

*These parts are accessible from face of hydrant by removing face nut.

MAINTENANCE INSTRUCTIONS

1. Shut off water supply.
2. Remove face nut.
3. Pull stem out for complete access to all working parts.
4. Check all working parts for replacement.
5. Replace complete stem assembly and face nut.



HYDRANTS



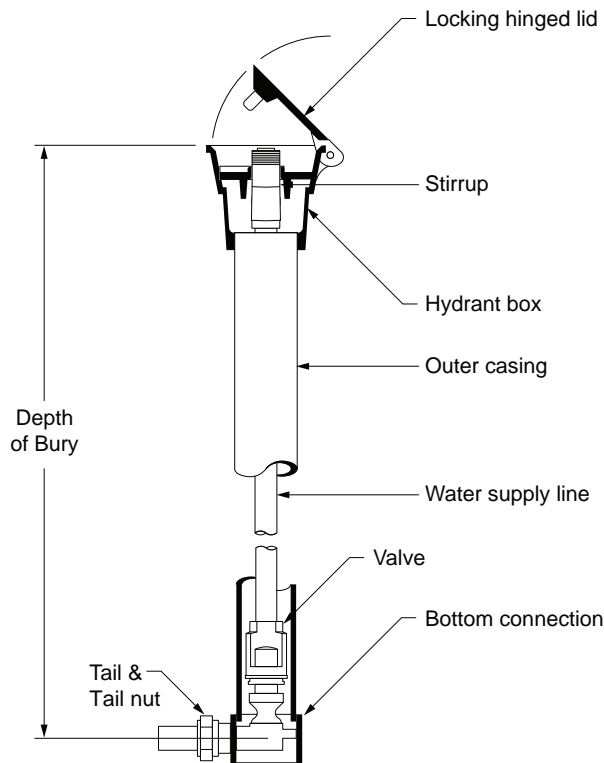
FIG. 5830, 5831 NON-FREEZE GROUND HYDRANT FLUSH BOX HYDRANT WITH LOCKING COVER

FUNCTION: Fig. 5830 or 5831 box hydrant provides water access that is inconspicuous and unobtrusive. The top of the unit is installed flush with the surrounding surface and all working parts are located below grade. The hydrant may be installed in pavement, sod or concrete. The unit is furnished with a hinged, locking lid, which is opened for access to the hose outlet and closed when not in use. A loose key serves to lock and unlock the lid and to operate the hydrant. To provide freeze resistant functionality, the valve is located underground at the specified depth of bury. The hydrant box and lid are iron castings and the bottom connection, valve and hose outlet are solid-brass castings. Field-serviceable parts are easily accessible.



Depth of Bury	Inlet Connection	5830 †Cast Iron
2'	3/4" Male	POA
3'	3/4" Male	POA
4'	3/4" Male	POA
5'	3/4" Male	POA
6'	3/4" Male	POA

Depth of Bury	Inlet Connection	5831 †Cast Iron
2'	1" Male	POA
3'	1" Male	POA
4'	1" Male	POA
5'	1" Male	POA
6'	1" Male	POA



HYDRANTS

HYDRANTS



FIG. 5903 NON-FREEZE SANITARY ROOF HYDRANT

FUNCTION: Used on roofs where water is required for window washing, cleaning of condenser coils, cooling towers and other types of roof equipment. Freezing is prevented by the valve housing being located below the roof in a heated or insulated area. The hydrant is engineered to be fully self contained by draining the water from casing after shut-off into the sealed canister.

Depth of Bury	Inlet Connection	5903
2'	3/4" Female	POA

ADD FOR:
 -H Vacuum Breaker.....POA

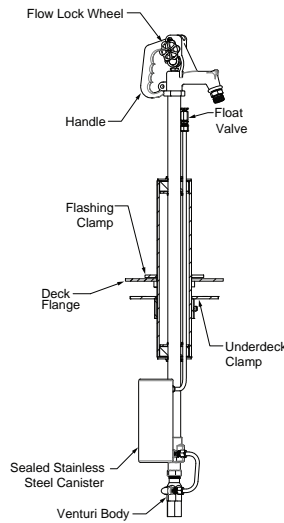


FIG. 5904 NON-FREEZE POST/YARD HYDRANT

FUNCTION: Used where an above ground water outlet is required in areas which are subject to freezing temperatures and where water is not allowed to drain from the casing into the ground. Freezing is prevented by burying the valve housing below the frost line and draining water from the casing after shut-off into the sealed canister. The hydrant is engineered to be fully self contained and easily serviced in the field.

Depth of Bury	Inlet Connection	5904
12"	3/4" Female	POA
24"	3/4" Female	POA
36"	3/4" Female	POA
48"	3/4" Female	POA
60"	3/4" Female	POA
72"	3/4" Female	POA

ADD FOR:
 -H Vacuum BreakerPOA



HYDRANTS

FIG. 5906 NON-FREEZE ROOF HYDRANT

FUNCTION: Provides water availability for window washing, cleaning of condenser coils, cooling towers and other types of roof equipment. Valve body of hydrant is drilled and tapped with 1/8" drain hole which must be piped to a drain location.



Depth of Bury
2'

Inlet Connection
3/4" Female

5906
POA

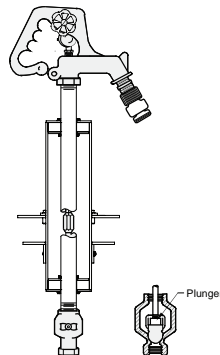


FIG. 5907 NON-FREEZE ROOF HYDRANT

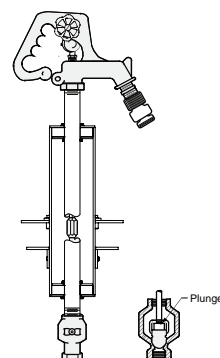
FUNCTION: Provides water availability for window washing, cleaning of condenser coils, cooling towers and other types of roof equipment. Valve body of hydrant is drilled and tapped with 1/8" drain hole which must be piped to a drain location. The check valve prevents backflow due to low head back-pressure.



Depth of Bury
2'

Inlet Connection
3/4" Female

w/Check Valve
5907
POA



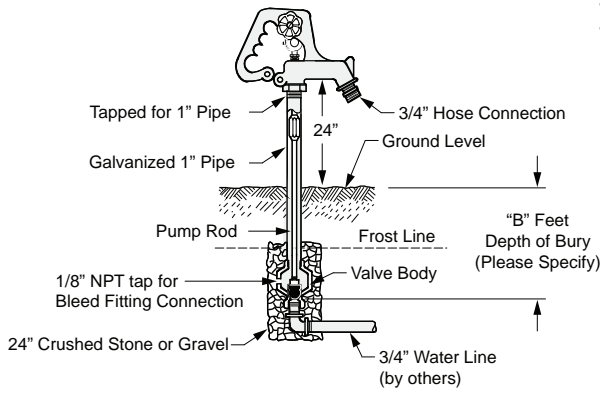
HYDRANTS

HYDRANTS

FIG. 5909 NON-FREEZE POST HYDRANT WITH GALVANIZED CASING



FUNCTION: Used where an above ground water outlet is required in areas which are subject to freezing temperatures. Freezing is prevented by burying the valve housing below the frost line and draining water from the casing after shut-off.



OPTIONS:

-H	Vacuum Breaker	81.00
-NV	1/8" NPT Drain Hole in Valve Housing.....	N/C

ADD

NOTES:

1. Addition of vacuum breaker will not allow draining of the casing. Smith is not responsible for any casings that burst or related incidents if the hydrant is supplied with a vacuum breaker.
2. The AB1953, California Lead Law, and NSF/ANSI Standard 61-2008 - Drinking Water System Components are not applicable to Jay R. Smith hydrants as they do not convey/dispense water for human consumption through drinking or cooking.
3. **FOR IRRIGATION PURPOSES ONLY.**

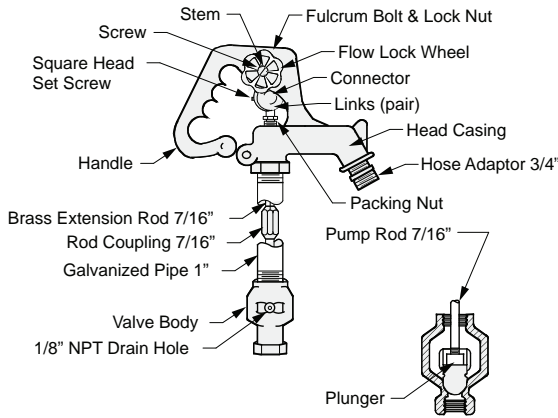


Fig. 5909

B FEET DEPTH OF BURY	3/4" INLET	APPROX WEIGHT LBS
01'	689.00	10
02'	625.00	14
03'	820.00	18
04'	842.00	22
05'	914.00	26
06'	1,212.00	30

REGULARLY FURNISHED:

Non-Freeze Post Hydrant with Galvanized Casing and Adjustable Flow Wheel Lock Handle.



HYDRANTS

FIG. 5910 SER. NON-FREEZE POST HYDRANT WITH BRONZE CASING



FUNCTION: Used where an above ground water outlet is required in areas which are subject to freezing temperatures. Freezing is prevented by burying the valve housing below the frost line and draining water from the casing after shut-off.

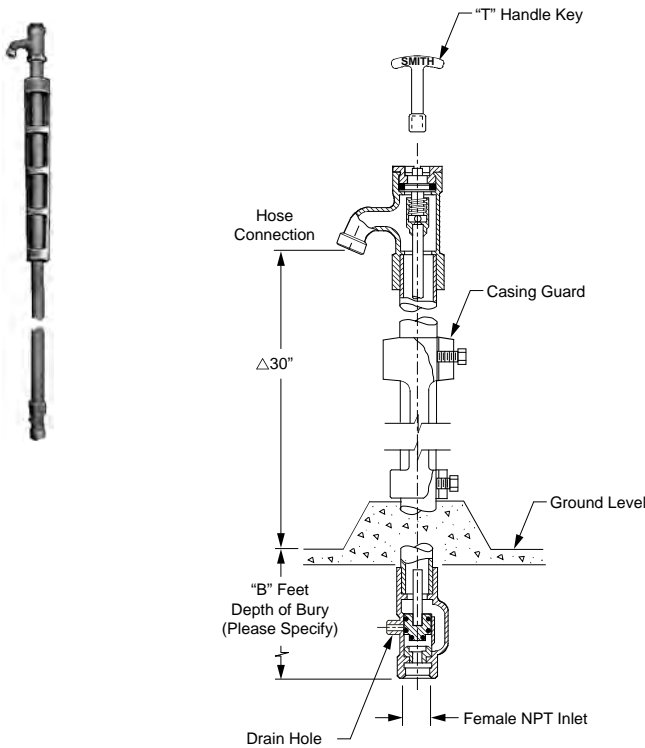


Fig. 5910

OPTIONS:

-AG	Aluminum Casing Guard	N/C
-H	3/4" Vacuum Breaker (5910 Only)	81.00
-NV	1/8" NPT Drain Hole in Housing	N/C
-WH	Secured Wheel Handle	182.00

ADD

For Hydrant Parts Repair Kit, refer to Net Parts Price Guide.

▲ Regularly furnished (unless otherwise specified)

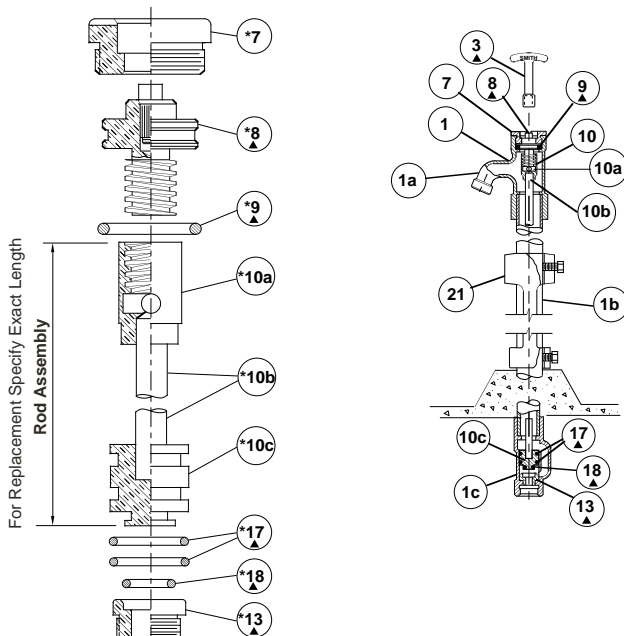
NOTES:

1. All Jay R. Smith hydrants are manufactured with "NO-LEAD" brazing rings and USDA approved lubricants.
2. The AB1953, California Lead Law, and NSF/ANSI Standard 61-2008 - Drinking Water System Components are not applicable to Jay R. Smith hydrants as they do not convey/dispense water for human consumption through drinking or cooking.
3. **FOR IRRIGATION PURPOSES ONLY.**

Addition of vacuum breaker will not allow draining of the casing. Smith is not responsible for any casings that burst or related incidents if the hydrant is supplied with a vacuum breaker.

B FEET DEPTH OF BURY	5910 3/4" INLET	5911 1" INLET	APPROX WEIGHT LBS
02'	1,417.00	1,710.00	25
03'	1,460.00	1,753.00	29
04'	1,500.00	1,790.00	33
05'	1,542.00	1,835.00	37
06'	1,584.00	1,873.00	41
07'	1,696.00	1,981.00	45
08'	1,799.00	2,102.00	49

REGULARLY FURNISHED: Bronze Non-Freeze Post Hydrant with Cast Iron Casing Guard, and "T" Handle Key. Inlet and Hose Connection Size Furnished as Indicated by Figure Number Selected.



REPLACEMENT PARTS LIST-SPECIFY FIGURE NO. WHEN ORDERING			
No.	DESCRIPTION	No.	DESCRIPTION
1	Head/Casing Assembly	10	Operating Rod Assembly
1a	Head	10a	Coupling
1b	Casing	10b	Rod
1c	Valve Housing	10c	Plunger
3	Key	13	Removable Seat
7	Face Nut	17	Plunger "O" Ring
8	Operating Screw	18	Plunger "O" Ring
9	Operating Screw "O" Ring	21	Casing Guard

▲ These replacement parts available in HPRK-41

*These parts are accessible from face of hydrant by removing face nut

MAINTENANCE INSTRUCTIONS

1. Shut off water supply.
2. Remove face nut.
3. Pull stem out for complete access to all working parts
4. Check all working parts for replacement.
5. Replace complete stem assembly and face nut.

HYDRANTS



HYDRANTS

FIG. 5912 SER. NON-FREEZE POST HYDRANT W/CAST IRON CASING GUARD W/1 1/4", 1 1/2" OR 2" CONNECTIONS



FUNCTION: Used where an above ground water outlet is required in areas which are subject to freezing temperatures. Freezing is prevented by burying the valve housing below the frost line and draining water from the casing after shut-off.

OPTIONS:

-AG	Aluminum Casing Guard	N/C
-NV	1/8" Drain Hole in Housing	N/C
-WH	Secured Wheel Handle	159.00

ADD

For Hydrant Parts Repair Kit, refer to Net Parts Price Guide.

NOTES:

1. All Jay R. Smith hydrants are manufactured with "NO-LEAD" brazing rings and USDA approved lubricants.
2. The AB1953, California Lead Law, and NSF/ANSI Standard 61-2008 - Drinking Water System Components are not applicable to Jay R. Smith hydrants as they do not convey/dispense water for human consumption through drinking or cooking.
3. **FOR IRRIGATION PURPOSES ONLY.**

Δ Regularly furnished (unless otherwise specified)

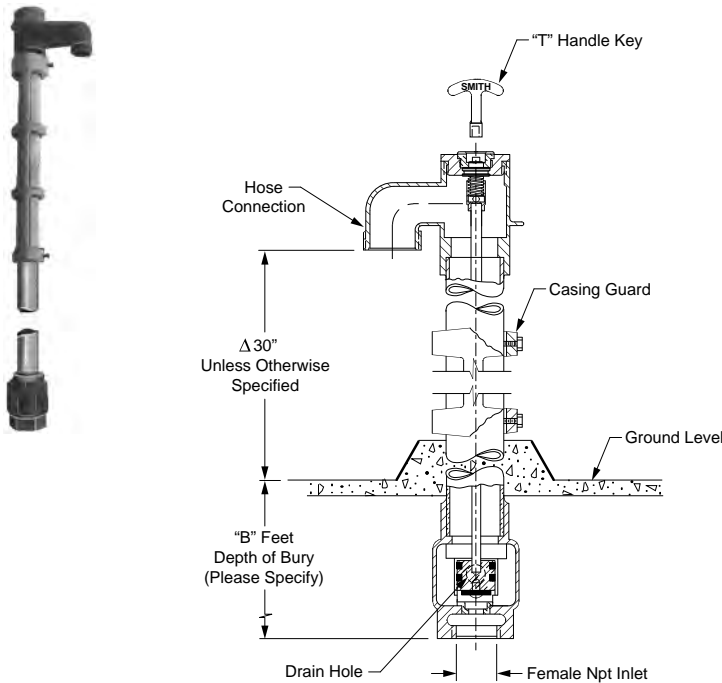
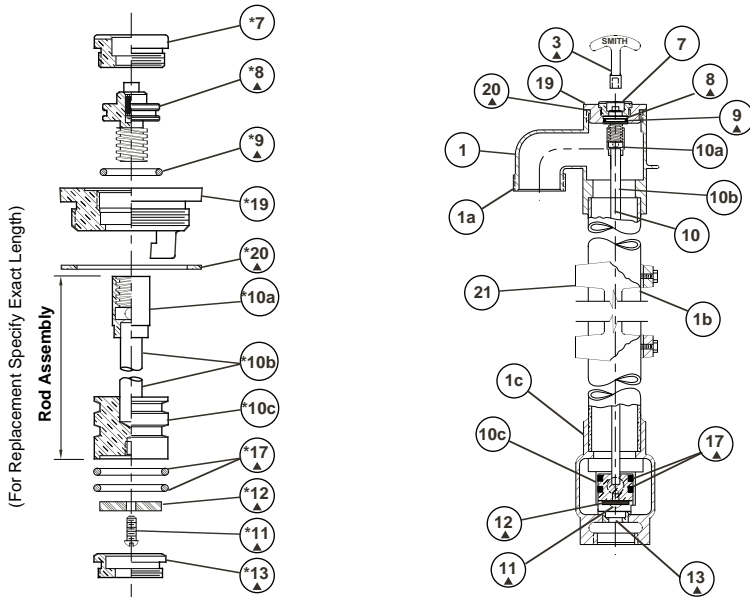


Fig. 5912

B FEET DEPTH OF BURY	5912 1 1/4" INLET	5913 1 1/2" INLET	5914 2" INLET	APPROX WEIGHT LBS
-SAP	3,035.00	4,232.00	5,259.00	30
02'	6,095.00	6,353.00	7,440.00	57
03'	6,171.00	6,427.00	7,688.00	62
04'	6,245.00	6,504.00	7,803.00	67
05'	6,321.00	6,581.00	7,888.00	74
06'	6,401.00	6,632.00	8,032.00	77
07'	6,723.00	6,993.00	8,258.00	82
08'	7,059.00	7,345.00	8,481.00	87

REGULARLY FURNISHED: Bronze Non-freeze Post Hydrant with Cast Iron Casing Guard, and "T" Handle Key. Inlet and Hose Connection Size Furnished as Indicated by Figure Number Selected.



REPLACEMENT PARTS LIST - SPECIFY FIGURE NO. WHEN ORDERING			
No.	DESCRIPTION	No.	DESCRIPTION
1	Head/Casing Assembly	10b	Rod
1a	Head	10c	Plunger
1b	Casing	11	Washer Screw (No. 10-24
1c	Valve Housing	12	Washer (Neoprene)_
3	Key	13	Removable Seat
7	Face Nut	17	Plunger "O" Ring
8	Operating Screw	19	Face Nut Seat
9	Operating Screw "O" Ring	20	Face Nut Seat Gasket
10	Operating Rod Assembly	21	Casing Guard
10a	Coupling		

▲ These Replacement Parts Available in HPRK -5

MAINTENANCE INSTRUCTIONS

1. Shut off water supply.
2. Remove face nut.
3. Pull stem out for complete access to all working parts.
4. Check all working parts for replacement.
5. Replace complete stem assembly and face nut.



HYDRANTS

FIG. 5950 SER. NON-FREEZE BOX TYPE GROUND HYDRANT W/HEAVY DUTY COVER



FUNCTION: Hydrant with heavy duty hinged cover box, particularly suitable for traffic areas which require a flush with ground non-freeze hydrant. Ideal for parking decks, outside exhibition areas, etc. The closing valve is located below the frost line. When hydrant is shut off water is drained from the casing through the drain hole in the valve housing.

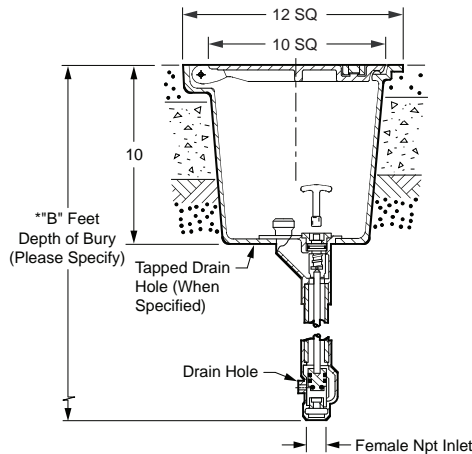
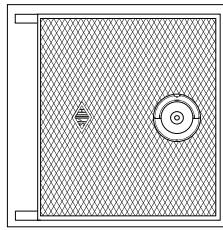


Fig. 5950

B FEET DEPTH OF BURY	5950 3/4" INLET	5951 1" INLET	APPROX WEIGHT LBS
-SAP	2,384.00	2,908.00	81
02'	2,629.00	2,922.00	81
03'	2,629.00	2,958.00	85
04'	2,715.00	3,257.00	93
05'	2,754.00	3,046.00	97
06'	2,799.00	3,087.00	101
07'	2,937.00	3,239.00	105
08'	3,081.00	3,404.00	109

REGULARLY FURNISHED: Bronze Hydrant with Bronze Casing. "T" Handle Key and Cast Iron Box with Heavy Duty Cover with Lifting Device.

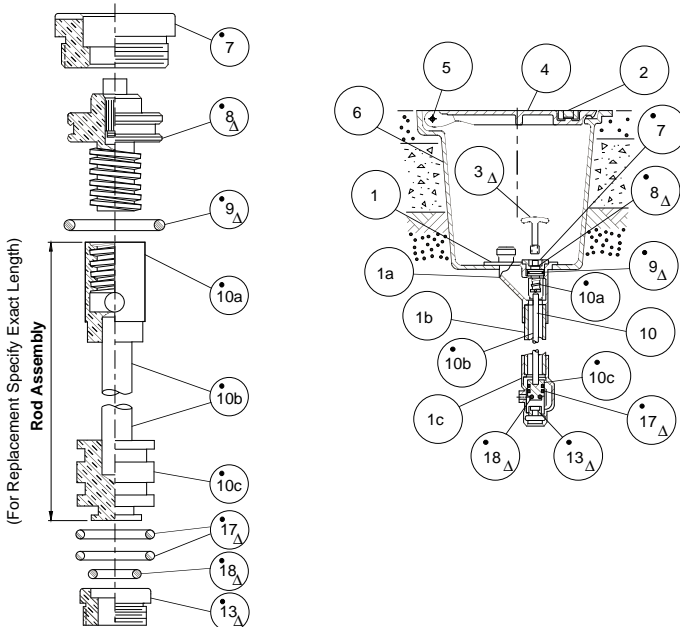
OPTIONS:

		ADD
-HC1	1" Hose Connection Adaptor.....	133.00
-N	1/8" Drain Hole in Box	117.00
-NB	Nickel Bronze Top	1,884.00
-NV	1/8" Drain Hole in Housing	N/C
-PB	Polished Bronze Top	N/C
-W	"Water" on Cover	184.00

For Hydrant Parts Repair Kit, refer to Net Parts Price Guide.

NOTES:

- All Jay R. Smith hydrants are manufactured with "NO-LEAD" brazing rings and USDA approved lubricants.
- Addition of vacuum breaker will not allow draining of the casing. Smith is not responsible for any casings that burst or related incidents if the hydrant is supplied with a vacuum breaker.
- When installed in parking decks, garages or similar applications subjected to vehicle traffic, hydrant shall be located in a non-traffic location.
- The AB1953, California Lead Law, and NSF/ANSI Standard 61-2008 - Drinking Water System Components are not applicable to Jay R. Smith hydrants as they do not convey/dispense water for human consumption through drinking or cooking.
- FOR IRRIGATION PURPOSES ONLY.**



REPLACEMENT PARTS LIST-SPECIFY FIGURE NO. WHEN ORDERING			
No.	DESCRIPTION	No.	DESCRIPTION
1	Head/Casing Assembly	8	Operating Screw
1a	Head	9	Operating Screw "O" Ring
1b	Casing	10	Operating Rod Assembly
1c	Valve Housing	10a	Coupling
2	Lifting Device	10b	Rod
3	Key	10c	Plunger
4	Cover	13	Removable Seat
5	Hydrant Cover Hinge Pins(2)	17	Plunger "O" Ring
6	Box	18	Plunger "O" Ring
7	Face Nut		

Δ These replacement parts available in HPRK-41.

* These parts are accessible from face of hydrant by removing face nut.

MAINTENANCE INSTRUCTIONS

- Shut off water supply.
- Remove face nut.
- Pull stem out for complete access to all working parts.
- Check all working parts for replacement.
- Replace complete stem assembly and face nut.

HYDRANTS



HYDRANTS

FIG. 5960, 5961 NON-FREEZE COMPRESSION TYPE POST HYDRANT



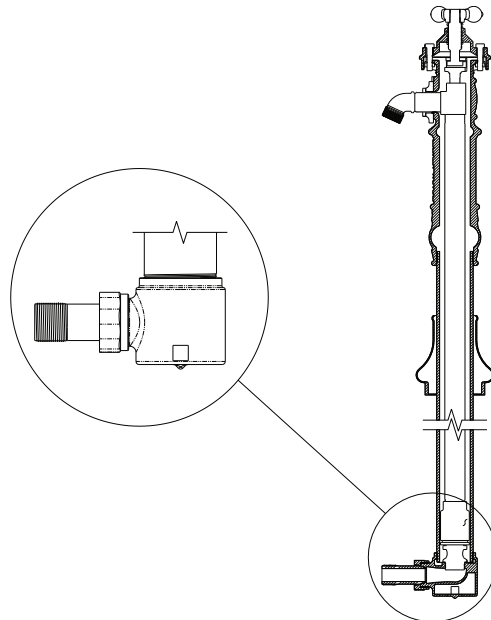
FUNCTION: Fig. 5960 or 5961 delivers year-round service outside or in unheated buildings. To provide freeze resistant functionality, the control valve is located below the frost line. Turning the handle raises or lowers the internal supply-line assembly, controlling the valve. Hydrant must be operated fully "on". Constructed of heavy red brass, premium-quality gray iron and steel, Fig. 5960 or 5961 is designed for trouble-free reliability and easy maintenance.

Depth of Bury	Inlet Connection	5960
2'	3/4"	POA
3'	3/4"	POA
4'	3/4"	POA
5'	3/4"	POA
6'	3/4"	POA

ADD FOR:
 -BFH Double Ball Check Valve DrainPOA

Depth of Bury	Inlet Connection	5961
2'	1"	POA
3'	1"	POA
4'	1"	POA
5'	1"	POA
6'	1"	POA

ADD FOR:
 -BFH Double Ball Check Valve DrainPOA



HYDRANTS



FIG. 5963 NON-FREEZE COMPRESSION TYPE POST HYDRANT

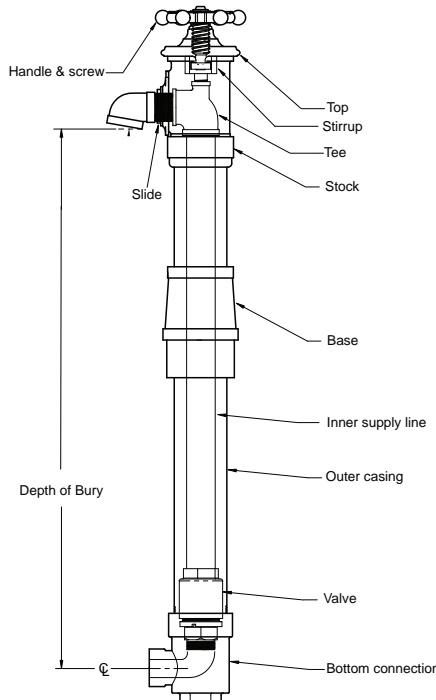
FUNCTION: Fig. 5963 delivers year-round service outside or in unheated buildings. To provide freeze resistant functionality, the control valve is located below the frost line. Turning the handle raises or lowers the internal supply-line assembly, controlling the valve. Hydrant must be operated fully "on". Constructed of heavy brass, premium-quality gray iron and steel, the Fig. 5963 is designed for trouble-free reliability and easy maintenance.

Depth of Bury	Inlet Connection	5963
2'	1 1/2"	POA
3'	1 1/2"	POA
4'	1 1/2"	POA
5'	1 1/2"	POA
6'	1 1/2"	POA

Depth of Bury	Inlet Connection	5963
2'	2"	POA
3'	2"	POA
4'	2"	POA
5'	2"	POA
6'	2"	POA

ADD FOR:

-BFH Double Ball Check Valve DrainPOA



HYDRANTS

HYDRANTS



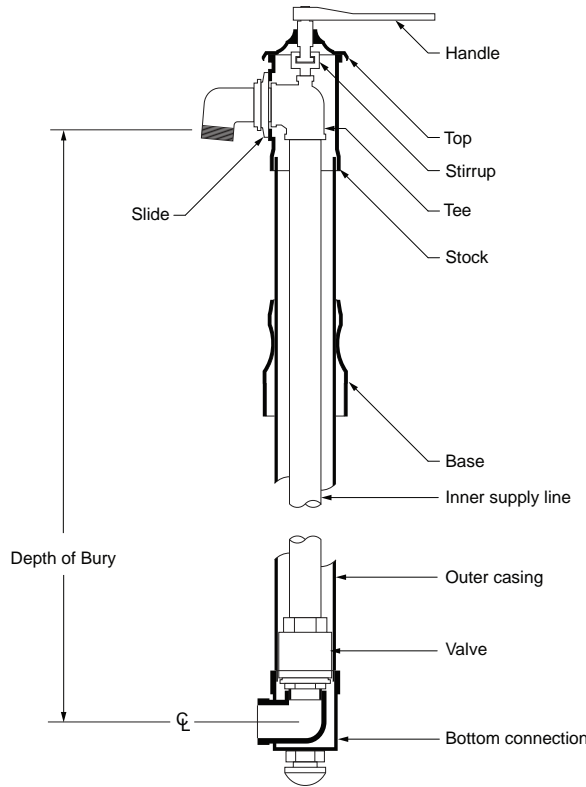
FIG. 5964 NON-FREEZE COMPRESSION TYPE SELF-CLOSING HYDRANT WITH OPERATING LEVER

FUNCTION: Fig. 5964 delivers year-round service outside or in unheated buildings. To provide freeze resistant functionality, the control valve is located below the frost line. Turning the handle raises or lowers the internal supply-line assembly, controlling the valve. Hydrant must be operated fully "on". Constructed of heavy brass, premium-quality gray iron and steel, the Fig. 5964 is designed for trouble-free reliability and easy maintenance.

Depth of Bury	Inlet Connection	5964
2'	2"	POA
3'	2"	POA
4'	2"	POA
5'	2"	POA
6'	2"	POA

ADD FOR:

- BFH Double Ball Check Valve DrainPOA
- WH Wheel Handle.....POA



HYDRANTS



FIG. 5965, 5966 NON-FREEZE COMPRESSION TYPE SELF-CLOSING HYDRANT WITH OPERATING LEVER

FUNCTION: Fig. 5965 or 5966 delivers year-round service outside or in unheated buildings. To provide freeze resistant functionality, the control valve is located below the frost line. The springloaded handle raises or lowers the internal supply line assembly, controlling the valve. The internal supply column is evacuated through drainage ports in the bottom. The hydrant must be operated fully "on".

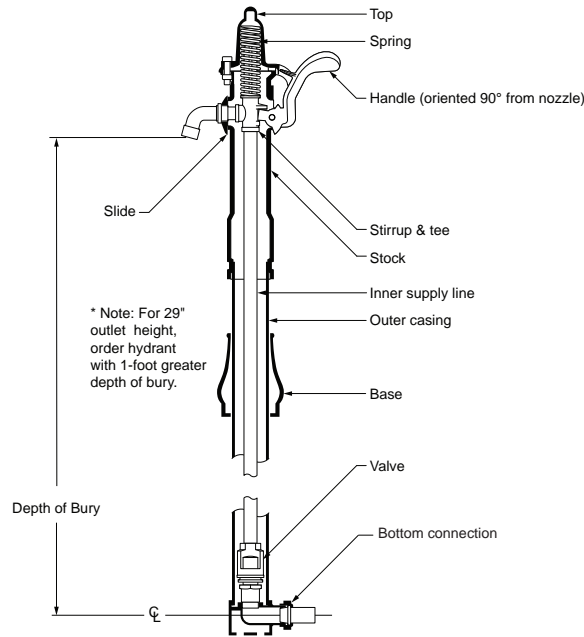


Depth of Bury	Inlet Connection	5965
2"	3/4"	POA
3'	3/4"	POA
4'	3/4"	POA
5'	3/4"	POA
6'	3/4"	POA

ADD FOR:
-BFH Double Ball Check Valve DrainPOA

Depth of Bury	Inlet Connection	5966
2"	1"	POA
3'	1"	POA
4'	1"	POA
5'	1"	POA
6'	1"	POA

ADD FOR:
-BFH Double Ball Check Valve DrainPOA

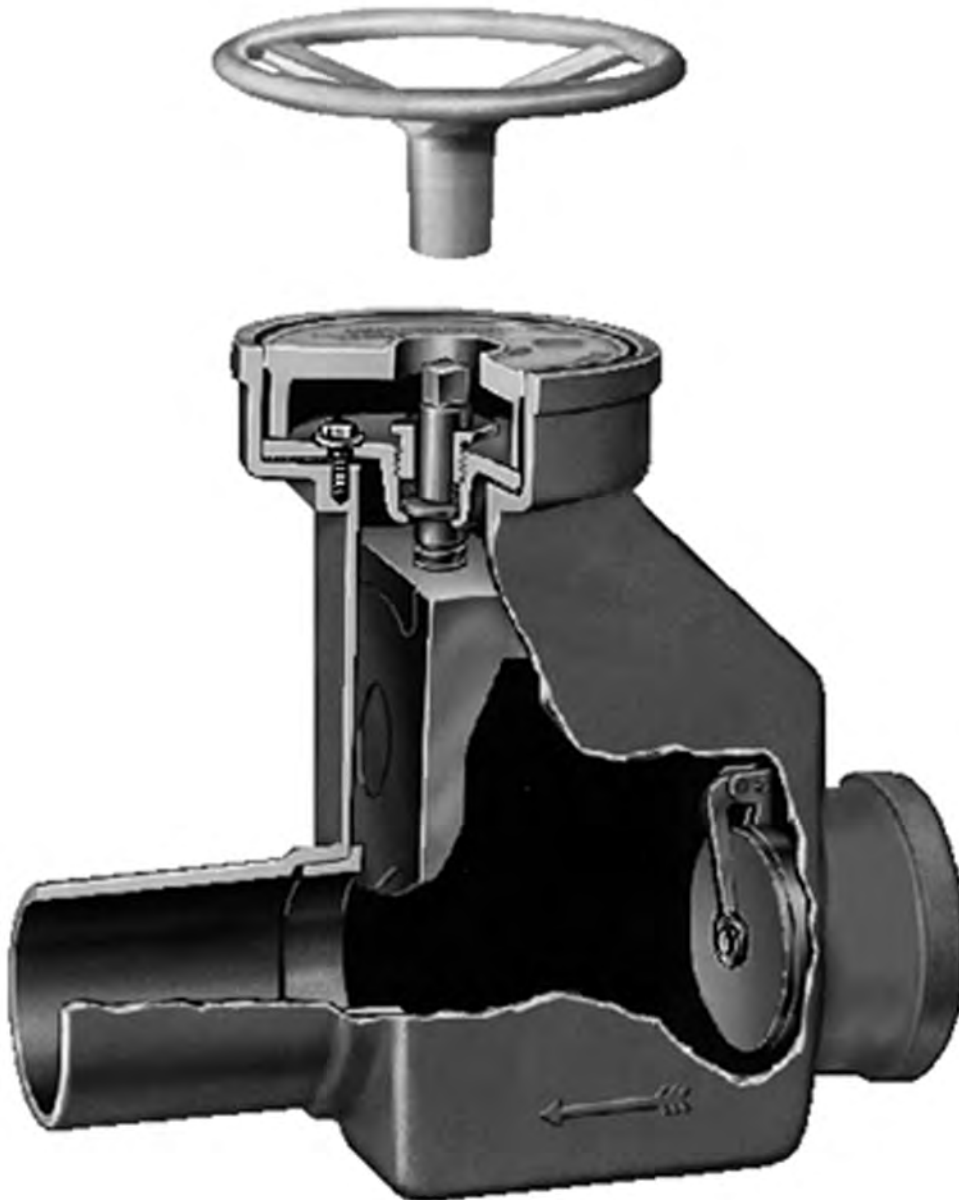


HYDRANTS

NOTES



BACKWATER VALVES



ORDERING GUIDELINES



7000 SERIES

After identifying the proper options required to meet the engineering specification, place order as shown below:

Examples:

7150S04 (-G)

Figure No. _____

Type of Outlet (Spigot) _____

Pipe Size (Inches) _____

Galvanized Cast Iron _____

*All variation suffixes are to be shown in parentheses.

BACKWATER VALVES TECHNICAL DATA

PROTECTION AGAINST BACKWATER SURGES

• EXCESSIVE RAINFALL

• TIDEWATER CONDITIONS

• INADEQUATE CAPACITY

NOTE: These conditions can cause damaging backflow flooding into basements and low areas, as well as damaging merchandise and equipment backflow can even undermine the building construction. Another important threat is the health hazard created by contaminated waste water. Avoid the inconveniences — install SMITH Backwater Valves which offer protection against backwater surges. Backflow is prevented when valve is not obstructed by debris or sludge. Use for gravity flow only, not for pressurized applications.

Extension To Finished Floor Level - Where it is necessary to extend the valve access cover to finished floor level, the Smith 7022 should be specified. The extension is made by using soil pipe cut to the desired length.

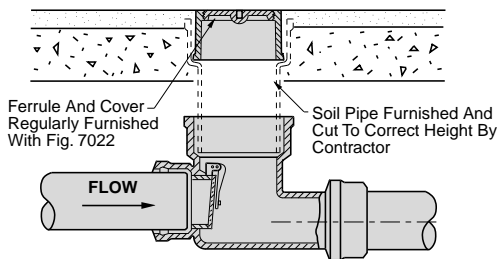


Fig. 7022

Installation At Sewer Line Terminals - The Fig. 7070 terminal valve provides backwater protection at the terminal where storm or sanitary sewers discharge into catch basins, manholes or drainage lagoons.

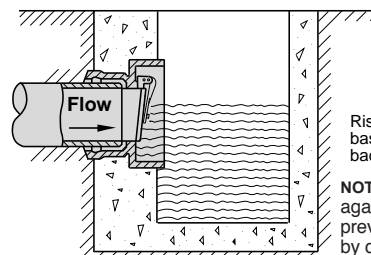


Fig. 7070

NOTE: These valves offer protection against backwater surges. Backflow is prevented when valve is not obstructed by debris or sludge. Use for gravity flow only, not for pressurized applications.

IN-LINE MANUAL SHUT-OFF GATE VALVE

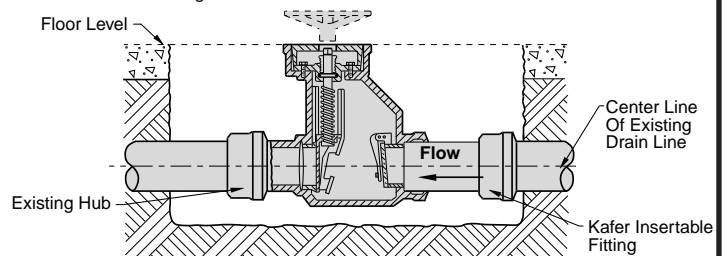
Fig. 7150 Series

Fig. 7150 In-line Manual Shut-Off Backwater Valve may be installed in new or existing sewer lines. Smith Engineers, realizing that most installations are made in existing lines where line pitch is already established, have designed an "In-Line" type manual shut-off valve. There is no drop in elevation from inlet to outlet, permitting the valve to be inserted in an existing line without significantly disturbing the pitch. The "In-Line" feature is particularly useful where existing sewer line pitch is at a minimum.

NOTE: During periods when manual shut-off valve is closed, use of building plumbing fixtures and drains must be avoided.

NOTE: For additional backwater valve technical or application data go to our web site at www.jrsmith.com or contact your local Jay R. Smith Representative.

Cut made long enough to expose hub on outlet side, and with enough space on inlet side for insertable fitting.



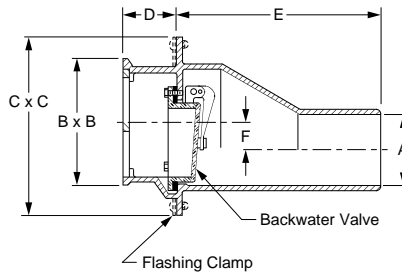
INSTALLATION IN EXISTING SEWER LINE

BACKWATER VALVES

FIG. 7000 PIT STYLE BACKWATER VALVE



FUNCTION: Used at the base of side walls in pits, where low elevation requires a vertical inlet grate and side outlet roughing. Backwater valve provides protection against backflow which could damage equipment in pit.



OPTIONS:

	03, 04"	05, 06"	08"
-C Flashing Clamp	161.00	161.00	286.00
-G Galvanized CI	400.00	400.00	650.00
-U Vandal Proof Screws	89.00	89.00	89.00

Stainless Steel Specify Fig. 9790

A OUTLET SIZE	B X B FACE SIZE	C X C	D	E	F	FREE AREA SQ. IN.	†DUCO CI	DUCO CI PB FACE	DUCO CI NB FACE	APPROX. WEIGHT LBS	ADD FOR CP FACE
03, 04"	6 3/4" x 9 1/2"	10 1/4" x 12"	3"	11 1/4"	2 3/4"	15	1,116.00	1,468.00	1,642.00	43	689.00
05, 06"	7 3/4" x 11"	9 3/4" x 13"	4"	13 1/4"	1 1/4"	24 1/2	1,676.00	2,028.00	2,202.00	70	901.00
08"	12 1/2" x 14 1/2"	17 1/4" x 19"	4"	22"	4 3/4"	56	3,261.00	4,287.00	4,395.00	150	1,574.00

REGULARLY FURNISHED: Duco Cast Iron Body with Backwater Valve and Cast Iron Secured Gate.

FIG. 7012 SER. SEWER VALVE W/BOLTED COVER (7012) OR THREADED COVER (7022)

FUNCTION: Used in main or branch sewer lines to protect basements and low areas against backflow from the street sewers. Valve design permits access to backwater valve assembly, for servicing or cleaning, through a "full opening" bolted cover or threaded cover.

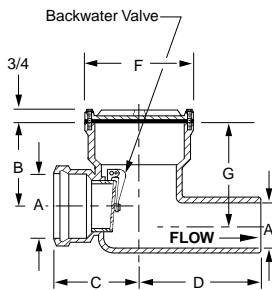


Fig. 7012
Bolted Cover

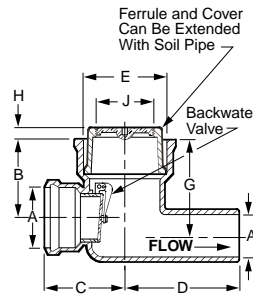


Fig. 7022
Threaded Cover

OUTLET VARIATIONS (Specify type of outlet and pipe size in inches.)

Outlet Type	Outlet Designation Outlet Type/Pipe Size	ADD
Y	No-Hub Inlet and Outlet	N/C
	Y02, Y03, Y04, Y05, Y06, Y08, Y10, Y12	POA

OPTIONS:

	ADD
-G Galvanized Cast Iron	
02, 03, 04"	320.00
05, 06"	320.00
08, 10"	957.00
12"	1,179.00

Stainless Steel (Fig. 7012 Only) Specify Fig. 9795

A* OUTLET SIZE	B	C	D	E SIZE	F DIA	G	H	J SIZE	7012 DUCO CI BRZ VALVE	7022 DUCO CI BRZ VALVE	APPROX. WEIGHT LBS
02"	4 1/2"	5"	7"	4"	6 1/2"	6"	1 1/4"	3 1/2"	551.00	551.00	22
03"	6 1/4"	5 3/4"	9"	5"	7 1/2"	7 1/2"	1 1/2"	4"	796.00	796.00	29
04"	6 1/2"	6 1/2"	9 1/2"	6"	8 1/2"	8"	1"	5"	930.00	930.00	41
05"	7"	7 3/4"	10 1/2"	8"	10 3/4"	8 3/4"	1"	6"	1,073.00	1,073.00	54
06"	8"	7 3/4"	11 1/2"	8"	10 3/4"	9 3/4"	1"	6"	1,073.00	1,073.00	75
08"	9 1/2"	9 1/2"	12 1/2"	10"	13"	11 3/4"	1"	6"	3,079.00	3,079.00	100
**10"									10,464.00	-	125
**12"									10,788.00	-	150

REGULARLY FURNISHED: Duco Cast Iron Body with Bronze Backwater Valve. Cover as Indicated by Figure Number Selected.

*Sized for Service Weight and/or No-Hub.
**Please contact Jay R. Smith Engineering Department for dimensions not shown.

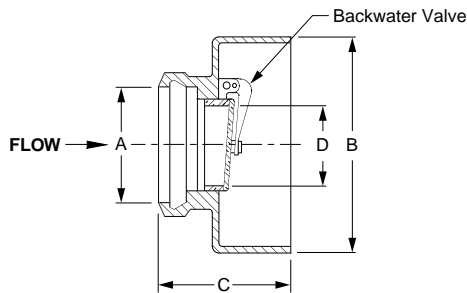


BACKWATER VALVES

FIG. 7070 TERMINAL VALVE



FUNCTION: Used at the end of sewer lines, which discharge into manholes, catch basins, drainage lagoons and seawalls to prevent backflow into areas which are to be drained.



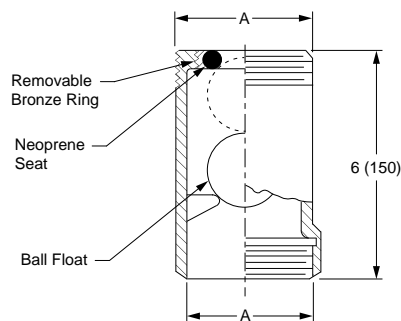
Outlet Type	Outlet Designation Outlet Type/Pipe Size	ADD
C	Inside Caulk	N/C
Y	No-Hub Outlet	N/C

A* OUTLET SIZE	B DIA	C	D	†DUCO CI BRZ VALVE	GALV CI BRZ VALVE	APPROX. WEIGHT LBS
02"	6 1/4"	5 1/4"	1 3/4"	551.00	725.00	10
03"	8"	5 1/2"	2 3/4"	551.00	725.00	12
04"	9"	5 3/4"	3 3/4"	571.00	745.00	15
05"	11 1/2"	6"	4 1/2"	710.00	917.00	20
06"	11 1/2"	6"	5 3/4"	710.00	917.00	28
08"	13 1/2"	6 3/4"	8"	1,879.00	2,178.00	42
10"	15 3/4"	7 3/4"	10"	3,836.00	4,135.00	58
12"	17 1/2"	8 3/4"	12"	5,668.00	6,309.00	80
16"	26 1/4"	16 1/2"	18"	10,746.00	POA	120

REGULARLY FURNISHED: Duco Cast Iron Body with Backwater Valve.

FIG. 7080 SER. DRAIN OUTLET VALVE W/SPIGOT (7080) OR THREADED (7082) OUTLET

FUNCTION: Installed as independent backwater protection for bottom outlet floor drains to prevent damaging backflow from entering room where floor drain is installed.



Outlet Type	Outlet Designation Outlet Type/Pipe Size	ADD
Y	No-Hub Outlet (7080 Only)	N/C

OPTIONS:	ADD
-BB All Bronze	POA

A OUTLET SIZE	†DUCO CI	GALV CI	APPROX. WEIGHT LBS
02"	409.00	518.00	3
03, 04"	409.00	518.00	6
05, 06"	998.00	1,107.00	23

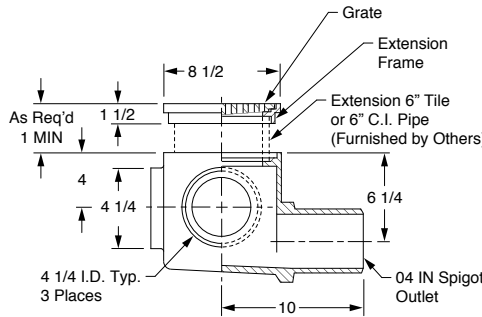
REGULARLY FURNISHED:
Duco Cast Iron Body with Ball Float
Backwater Valve.



BACKWATER VALVES

FIG. 7097 DRAIN TILE SUMP WITH 4" TILE INLET & SPIGOT OUTLET

FUNCTION: Provides a sump with multiple inlets into which the foundation drain tile lines are connected.



OPTIONS:

	ADD
-G Galvanized CI	428.00
-NB Nickel Bronze Top.....	593.00
-PB Polished Bronze Top.....	459.00
-SC Solid CI Cover	150.00

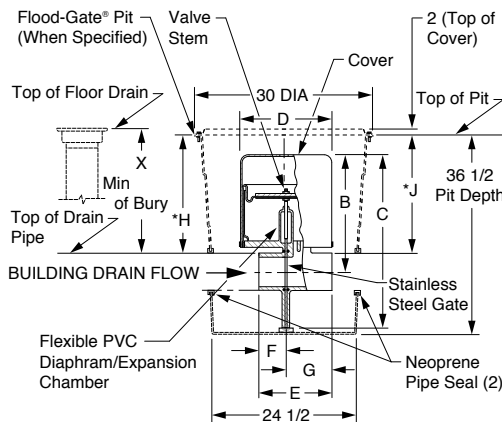
A OUTLET SIZE	FREE AREA SQ. IN.	†DUCO CI	APPROX. WEIGHT LBS
04"	14.25"	595.00	55

REGULARLY FURNISHED:

Duco Cast Iron Body and Extension Frame with Cast Iron Slotted Grate.

FIG. 7140 FLOOD-GATE® IN-LINE AUTOMATIC BACKWATER VALVE

FUNCTION: Functions as a drainage control valve providing "closure" protection during emergency storm conditions or when building is completely shut down. The FLOOD-GATE® does not have to be activated as no electronics are required for valve operation. The valve is completely automatic both closing and resetting. Once closed it prevents any leakage beyond the gate. Applications include all commercial, institutional, residential and industrial installations including basements and elevator pits.



OPTIONS:

FGA	Complete Alarm System
FGP	Poly Pit and Lid, with Hardware
FGS	Poly Pit with Steel Lid with Hardware
FGSL	Steel Pit Lid Only

U.S. Patent No. 5,538,032
Other U.S. and foreign patents pending

Conforms to ASME A112.14.1-2003
IAPMO Listed, File No. 3758

For Pricing information on this Product Series contact your local Jay R. Smith Mfg. Co. representative.

A DIA NO-HUB (-Y) IN/OUT SIZE	B CENTERLINE TO TOP	C OVERALL HEIGHT	D DIA WIDTH	E LENGTH	F INLET LENGTH	G OUTLET LENGTH	*H	*J	X MIN BURY DEPTH	BASE WIDTH
04"	15"	22 15/16"	12 5/8"	6 5/8"	2 3/8"	4 1/4"	26 1/4"	26 3/4"	9"	7 1/2"
06"	20 3/8"	31 1/4"	13 1/4"	8 3/16"	3 3/16"	5"	22 1/4"	22 3/4"	14"	9 1/2"

REGULARLY FURNISHED: Duco Coated Cast Iron Body Complete with Stainless Steel Gate and Flexible PVC Diaphragm/Expansion Chamber.

*Dimension can be decreased by up to 10" for the 4" size and 3" for the 6" size by cutting the pit and telescoping the 2 sections to meet required depth. See instructions supplied with pit.

BACKWATER VALVES

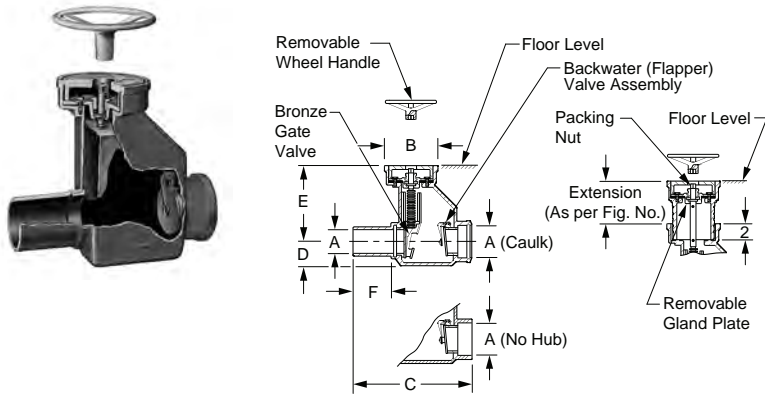


BACKWATER VALVES AND TRAPS

FIG. 7150 IN-LINE MANUAL SHUT-OFF VALVE



FUNCTION: Functions as a drainage control valve; flapper type backwater valve provides temporary protection against sewage backflow surges. Manually closed "spade" type gate valve provides additional complete "closure" protection during emergency conditions, when building is completely shut down or during extended periods of backflow conditions.



INLET VARIATIONS

Inlet Type	ADD
Caulk	N/C
No-Hub	N/C
OPTIONS:	DEDUCT
-LW Less Wheel Handle	43.00
-SW Sized for Service Weight	N/C

FIGURE NO.	EXTENSION	A OUTLET SIZE	B DIA.	C	D	E	F	†DUCO CI BRZ VALVE	GALV CI BRZ VALVE	APPROX. WEIGHT LBS
7150	-	04"	8"	18"	3 3/4"	12"	5"	2,905.00	3,746.00	110
	-	06"	10 1/2"	20"	4 1/2"	14 1/2"	5"	5,235.00	6,076.00	140
7151	12"	04"	8"	18"	3 3/4"	12"	5"	3,794.00	4,635.00	110
7152	24"	04"	8"	18"	3 3/4"	12"	5"	4,148.00	4,989.00	130
7153	9 1/2"	06"	10 1/2"	20"	4 1/2"	14 1/2"	5"	5,760.00	6,575.00	140
7154	21 1/2"	06"	10 1/2"	20"	4 1/2"	14 1/2"	5"	7,019.00	7,834.00	160
7155	Adaptor	04"	8"	18"	3 3/4"	12"	5"	3,968.00	4,783.00	110
	Adaptor	06"	10 1/2"	20"	4 1/2"	14 1/2"	5"	5,592.00	6,407.00	115

REGULARLY FURNISHED: Duco Cast Iron Body and Cover with Removable Wheel Handle. Bronze Gate and Bronze Flapper Valve. Cast Iron Extensions as Indicated by Figure Number Selected.

FIG. 7220, 7221 DEEP SEAL "P" TRAPS W/FEMALE THREADED INLET AND OUTLET (7220) OR MALE THREADED INLET AND FEMALE THREADED OUTLET (7221)

FUNCTION: Provides the protection of an independent "deep seal" cast iron trap for use in conjunction with bottom outlet drains. Can be provided with bottom cleanout plug, trap primer connection or low flushing tapping.

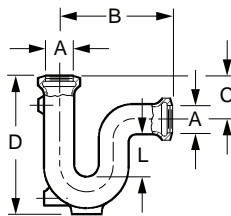


Fig. 7220

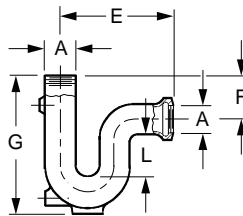


Fig. 7221

OPTIONS:	ADD
-BP Bronze Cleanout Plug	N/C
-FC Flushing Connection	86.00
-P Trap Primer Conn	25.00

A OUTLET SIZE	B	C	D	E	F	G	L SEAL	†DUCO CI	GALV CI	ARC CI INSIDE	ALL BRONZE (-BB)	APPROX. WEIGHT LBS
02"	6 1/4"	2 3/4"	10"	6 1/4"	2 3/4"	10"	4"	525.00	649.00	679.00	POA	10
03"	8"	3"	13"	8"	3"	13"	5"	730.00	854.00	884.00	POA	20
04"	9 3/4"	4 1/4"	15 1/2"	9 3/4"	6"	17 1/2"	5"	1,014.00	1,188.00	1,218.00	POA	33

REGULARLY FURNISHED: Duco Cast Iron Trap.



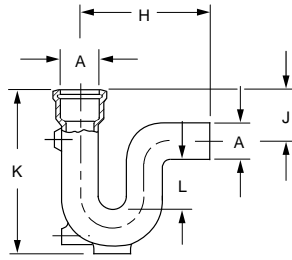
TRAPS

FIG. 7222, DEEP SEAL "P" TRAP WITH HUB INLET AND SPIGOT OUTLET



FUNCTION: Provides the protection of an independent "deep seal" cast iron trap for use in conjunction with bottom outlet drains. Can be provided with bottom cleanout plug, trap primer connection or low flushing tapping.

7222
Same as
7220 but with
Hub Inlet and
Spigot Outlet



OPTIONS:

-BP	Bronze Cleanout Plug	N/C
-FC	Flushing Connection	86.00
-P	Trap Primer Conn	25.00
-Y	No-Hub Adaptor	See Fig. 2646Y

ADD

A OUTLET SIZE	H	J	K	L SEAL	†DUCO CI	GALV CI	ARC CI INSIDE	ALL BRONZE (-BB)	APPROX. WEIGHT LBS
02"	10"	4"	11 1/2"	4"	525.00	649.00	679.00	POA	10
03"	11 1/2"	4 1/2"	14 1/2"	5"	730.00	854.00	884.00	POA	20
04"	14 3/4"	7"	18 1/2"	5"	1,014.00	1,188.00	1,218.00	POA	33

REGULARLY FURNISHED: Duco Cast Iron Trap.

FIG. 7230, 7231, 7232 DEEP SEAL TRAP WITH FLOOR CLEANOUT

FUNCTION: Provides the protection of an independent "deep seal" cast iron trap when used in conjunction with bottom outlet drains. Integral hub at crown of the trap permits the installation of a suitable floor level cleanout.

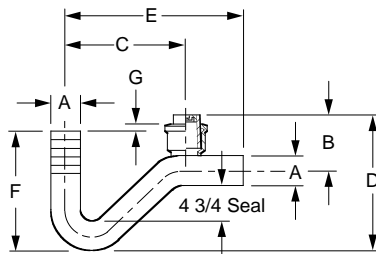


Fig. 7230

Adjustable Housing
With Tractor Cover

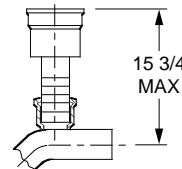


Fig. 7231

Extension Ferrule
With Cleanout Plug

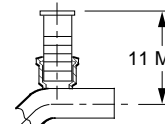


Fig. 7232

FIGURE NO.	A OUTLET SIZE	B	C	D	E	F	G	†DUCO CI	GALV CI	APPROX. WEIGHT LBS
7230	02"	6"	11"	13 3/4"	16 1/2"	12 1/2"	1/4"	675.00	974.00	37
	03"	7 3/4"	14 1/2"	15 3/4"	21 3/4"	14"	3/4"	811.00	1,110.00	37
	04"	8 1/2"	14 1/2"	18 1/2"	21 1/2"	16"	1 1/4"	988.00	1,287.00	42
7231	02"	6"	11"	13 3/4"	16 1/2"	12 1/2"	1/4"	996.00	1,295.00	56
	03"	7 3/4"	14 1/2"	15 3/4"	21 3/4"	14"	3/4"	1,250.00	1,549.00	56
	04"	8 1/2"	14 1/2"	18 1/2"	21 1/2"	16"	1 1/4"	1,454.00	1,753.00	58
7232	02"	6"	11"	13 3/4"	16 1/2"	12 1/2"	1/4"	774.00	1,073.00	43
	03"	7 3/4"	14 1/2"	15 3/4"	21 3/4"	14"	3/4"	936.00	1,235.00	43
	04"	8 1/2"	14 1/2"	18 1/2"	21 1/2"	16"	1 1/4"	1,143.00	1,442.00	70

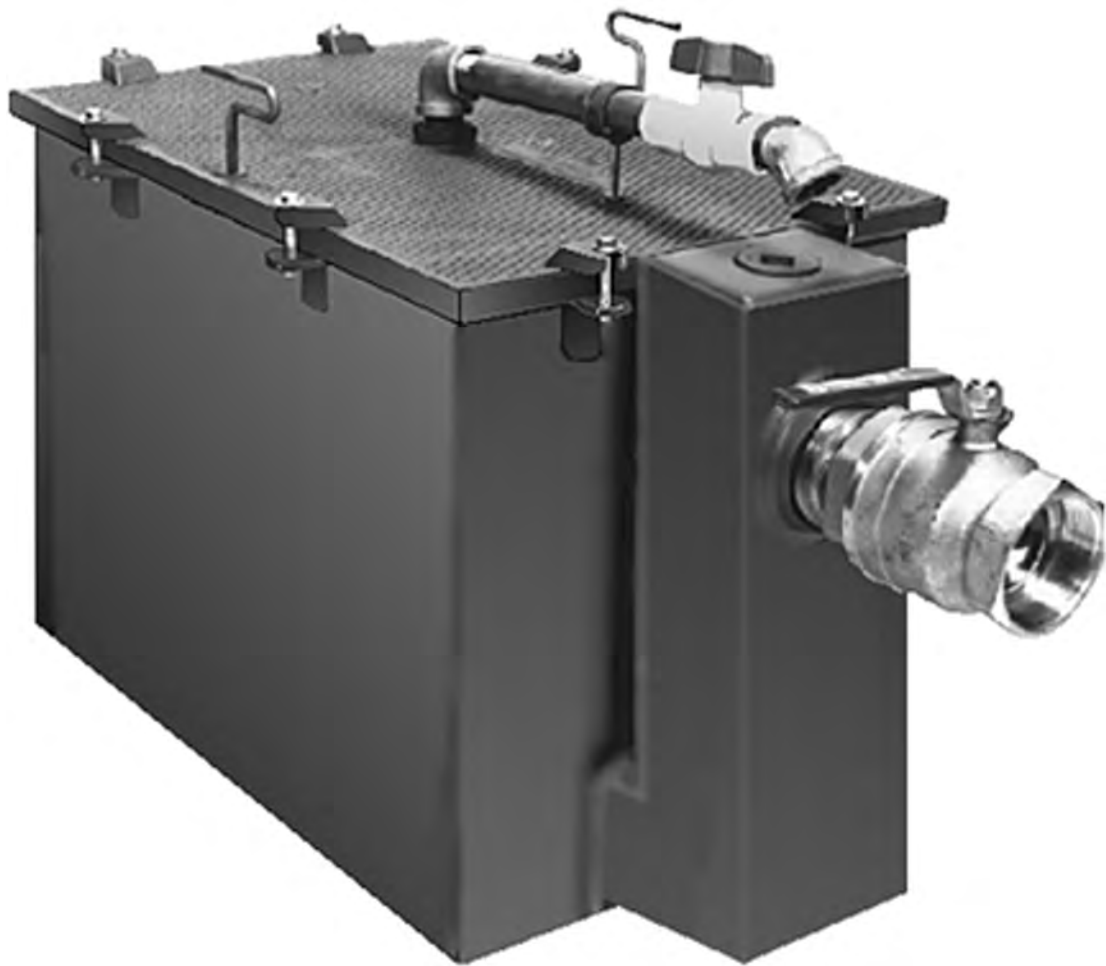
REGULARLY FURNISHED: Duco Cast Iron Body and Ferrule with Bronze Cleanout Plug.



NOTES



INTERCEPTORS



INTERCEPTORS

ORDERING GUIDELINES



8000 SERIES

After identifying the proper options required to meet the engineering specification, place order as shown below:

Examples:

8050T03 (-B-QC)

Figure No. _____
Type of Outlet (Threaded) _____
Pipe Size (Inches) _____
Lift Out Sediment Bucket _____
Cover Recessed for Terrazzo Ceramic or Quarry Tile _____

8910-50T04 (-F-C-SS)

Figure No. _____
GPM (Flow Rate) _____
Type of Outlet (Threaded) _____
Pipe Size (Inches) _____
Flashing Flange and Flashing Clamp _____
All Stainless Steel Unit _____

*All variation suffixes are to be shown in parenthesis.

INTERCEPTORS TECHNICAL DATA



SCIENTIFICALLY ENGINEERED For over fifty years, JAY R. SMITH MFG. CO. has conducted hundreds of tests both in the laboratory and in the field, in order to offer efficient grease interceptors which have improved operational characteristics suitable for most applications.



When designing our line of interceptors, we kept in mind the fact that these units must be for practical applications. As a result, the units embody practical features that make installation easier and also simplify cleaning and servicing.

PLUMBING AND DRAINAGE INSTITUTE CERTIFICATION SEAL Many Smith Interceptors bear the certification seal of the Plumbing and Drainage Institute. Ratings shown in the catalog conform with the rigid standards established by the Institute. This seal on Smith Grease Interceptors is your guarantee that the designs and ratings have met or surpassed all standards established by the Institute.

PRACTICAL FEATURES The one piece cover used on SMITH Interceptors is equipped with a single lock and lift ring (two on large sizes). No bolts or nuts to get lost or wrenches to look for . . . the locking device is a practical feature of the cover assembly.

A soft, flat or round neoprene gasket is firmly attached to the body of all interceptors. This eliminates the gasket tearing loose every time the cover is removed.

Interceptors have an air relief to eliminate the possibility of siphonage, and are furnished with a separate flow control device to insure the interceptor will function within its rated capacity.

APPLICATION A Grease Interceptor is necessary where grease, fats, oils or other similar line clogging contaminants are present in waste water that must be disposed of through the sanitary system.

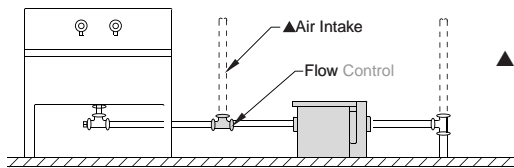
Preventing grease from entering drainage lines should always be considered when designing the plumbing drainage system in any restaurant, cafeteria, hotel, school, hospital, institutional or commercial building having facilities for the preparation and serving of food in quantity. In these installations, as well as in commercial food processing plants, dairies, and other industries where greases and fats are a by-product, an efficient SMITH interceptor should be installed to prevent this material from entering the drainage lines.

HOW THE INTERCEPTOR OPERATES

Water draining to the interceptor passes through a flow control fitting which regulates the velocity of the water to the capacity of the interceptor. As the water enters the interceptor at this controlled rate of flow it is free of turbulence. It then passes over a series of separator baffles which are strategically located to insure that greases, fats and oils are efficiently separated from the waste water. Once separated, these contaminants rise to the surface of the water in the interceptor by natural flotation and are accumulated until removed. The waste water now relieved of over 90% of the contaminant oils and greases, continues to flow through the interceptor into the sanitary system.

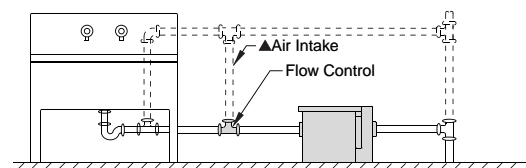
INTERCEPTORS

TYPICAL SINGLE FIXTURE INSTALLATIONS



FIXTURE NOT TRAPPED

▲ See Footnote on next page



FIXTURE TRAPPED AND VENTED SEPARATELY

PROCEDURE FOR SIZING GREASE INTERCEPTORS

EXAMPLE

STEP 1	Determine the cubic content of the fixture by multiplying length x width x depth.	A sink 48" long by 24" wide by 12" deep Cubic content $48 \times 24 \times 12 = 13,824$ cubic in.
STEP 2	Determine the capacity in gallons. 1 gal. = 231 cubic inches.	Contents in gals. $\frac{13,824}{231} = 59.8$ gals.
STEP 3	Determine actual drainage load. The fixture is usually filled to about 75% of capacity with waste water. The items being washed displace about 25% of the fixture content. Actual drainage load = 75% of fixture capacity.	Actual Drainage Load $.75 \times 59.8$ gals. = 44.9 gals.
STEP 4	Determine the flow rate and the drainage period. In general, good practices dictate a one minute drainage period, however where conditions permit, a 2 minute period is acceptable. Drainage period is the actual time required to completely empty the fixture. Flow Rate = $\frac{\text{Actual Drainage Load}}{\text{Drainage Period}}$	Calculate flow rate for 1 minute period. Flow Rate $\frac{44.9 \text{ gals.}}{1 \text{ Min.}} = 44.9$ GPM For 2 minute period Flow Rate $\frac{44.9 \text{ gals.}}{2 \text{ Min.}} = 22.5$ GPM
STEP 5	Select the Interceptor which corresponds to the flow rate calculated. Note øSelect larger size when flow rate falls between two sizes listed. If flow rate is above 50 GPM, select a larger Interceptor (Fig. 8400 Series).	For 1 minute period 44.9 GPM requires a Fig. 8050 For 2 minute period 22.5 GPM requires a Fig. 8025

As a general rule, it is good practice to size the Interceptor so that its rated capacity is never less than 40% of the fixture capacity in gallons. In the example above, the actual fixture capacity is 59.8 gals., and 40% of this would be 23.9 gals. or a Fig. 8025. It is readily seen that a drainage period other than one or two minutes can be used. If conditions justify, any period between one and two minutes is satisfactory, however, we do not recommend a period longer than 2 minutes. Using the 40% rule of thumb gives a drainage period of 1 7/8 minutes.

AUTOMATIC DRAW-OFF GREASE INTERCEPTORS

Smith "GT" Series Semi-Automatic Draw-off Grease Interceptors offer the same high intercepting efficiency as the conventional manual cleaned models, but completely eliminate the unsanitary and undesirable job of removing the accumulated grease manually.

- The semi-automatic draw-off interceptor eliminates . . .
- time consuming cover removal
 - manually removing accumulated grease
 - offensive odors

Since cleaning a "GT" interceptor is simple, fast and efficient, maintenance personnel will more likely follow the regular cleaning schedule. This is a distinct advantage over the conventional units which are frequently left unattended.

When to Clean - The ideal time to clean is immediately after the interceptor has been heavily used.

Cleaning Frequency - The frequency of the draw-off cycle is determined by the use load factor of the interceptor. An ideal cleaning cycle can be set after the unit is in operation for several weeks. By observing the amount of grease used and the frequency of use, the operator can determine a logical cleaning cycle.

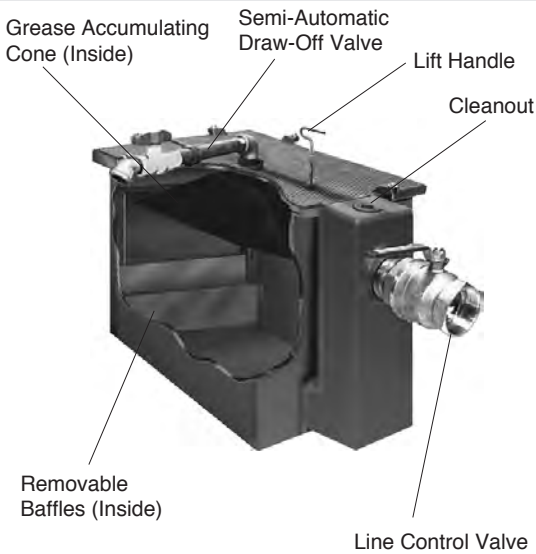


Fig. 8000GT

Cleaning Operation 8000 GT Series

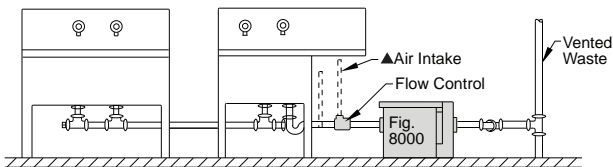
1. Unit in normal use has the line control valve open and semi-automatic draw-off valve closed. When cleaning is required, run a full stream of hot water through interceptor. It is preferable to have this water at 140° or higher, running for a period of at least two minutes.
2. Turn off hot water running into the interceptor and wait for a period of three to five minutes for grease in the interceptor to liquefy.
3. Semi-Automatic draw-off cycle can now be started. Close the line control valve.
4. Open semi-automatic draw-off valve at top of the interceptor and place a container underneath this valve. Run hot water through interceptor at a rate of between 1 1/2 and 2 1/2 G.P.M.
5. After water has run into interceptor at this rate for a short period, the unit will fill. Accumulated liquefied grease will be raised into cone and draw-off piping.
6. Allow accumulated liquefied grease to flow out of draw-off valve until clear water appears.
7. When clear water appears, shut off flow of hot water into interceptor, turn line control valve to open position. Close semi-automatic draw-off valve at top of interceptor.
8. Interceptor at this stage is ready again for normal use.

INSTALLATION - GREASE INTERCEPTORS

MULTIPLE FIXTURE INSTALLATIONS

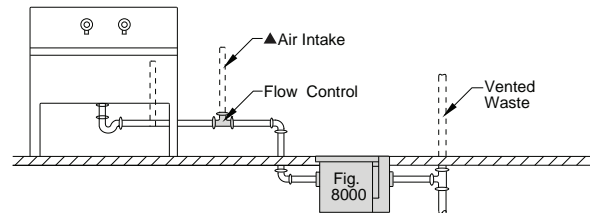
It is sometimes practical to discharge the waste from two or more sinks into a single Interceptor. This practice is only recommended when all fixtures are close together, avoiding installation of long piping runs to the Interceptor. For multiple installations, size as follows:

1. Determine total capacity of all sinks.
2. Establish the maximum simultaneous discharge of the sinks and fixtures.
3. Using the maximum simultaneous load capacity, determine the Interceptor required using the sizing method shown on previous page.

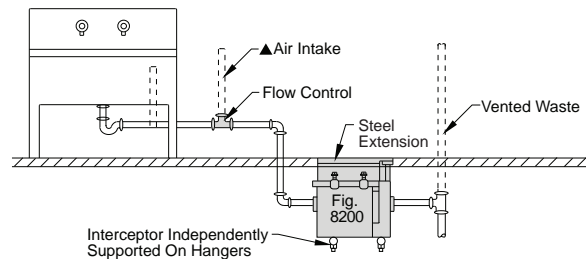


ON FLOOR INSTALLATION

▲ Terminate Air Intake outside above the rim of sink with return bend or connect to vent or vent stack as required by local code.



SINGLE INSTALLATION - FULLY RECESSED



RECESSED WITH EXTENSION TO FLOOR LEVEL

Interceptor cover may be brought to floor level by using an extension when Interceptor installation is below the floor.

GREASE INTERCEPTORS WITH EXTENSION INSTALLATION NOTE

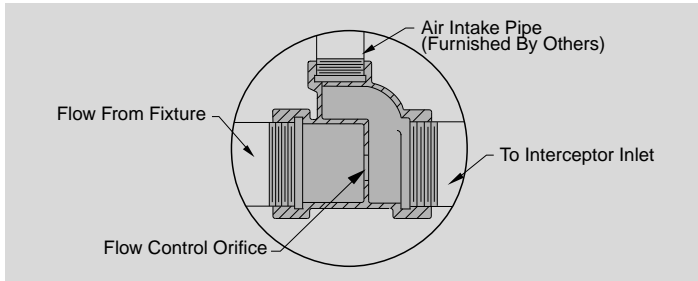
The Extension of 8200 Series Interceptors is designed to increase the roughing dimension from the Inlet-Outlet center line to the finished floor. The Extension should not be used to support the entire unit. When installed in ground floor locations, the Interceptor body must rest on solid ground or on a suitable concrete pad. If the 8200 Series unit is installed in an upper floor (suspended in the ceiling below), a suitable method of supporting the entire unit must be provided. The installation sketch shows a typical Interceptor with Extension and a recommended method of supporting the entire weight.

SUSPENDED INTERCEPTOR INSTALLATION CONSIDERATIONS

Whenever an interceptor is to be installed suspended with receiving cradle (8300 series) or independently (all other series interceptors), proper support is essential for safety and functional integrity of the installation.

Trapeze type hangers such as those employed for support of multiple runs of horizontal piping are recommended for support of independent interceptors. Such supports should also be considered for 8300 series receiving cradles to supplement the integral concrete anchor flange. Supports must be of sufficient strength for the purpose intended and meet with the approval of the architect or engineer.

FLOW CONTROL FITTING



MAINTENANCE

All interceptors must be cleaned regularly. The frequency of grease removal is dependent upon the capacity of the interceptor and the quantity of grease in the waste water. The cleaning interval can vary from once a week to once in several weeks. When this period is determined, we recommend regular cleaning at this interval in order to maintain proper operating efficiency. Solids that collect in the interceptor through settling should also be removed at the same time of the grease removal. At this time the air relief port should be checked to see that it is clear. Complete operating and maintenance instructions are packed with every interceptor.

OIL INTERCEPTORS

An oil interceptor is required wherever lubricating oil, cutting oil, kerosene, gasoline, naphtha, paraffin, trisodium phosphate and numerous other light density and volatile liquids are present in the drainage system.

In commercial establishments such as service stations, garages, auto repair shops, dry cleaners, laundries, industrial plants or process industries having machine shops, metal treating process rooms, chemical process or mixing rooms, etc., there is always the problem of flammable or volatile liquids entering the drainage system which can contaminate the sewer line and cause a serious fire or explosive condition.

Oil interceptors are designed to separate oils and other light density volatile liquids which are discharged into the drainage system.

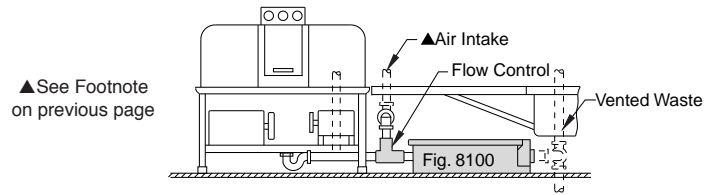
The interceptor is installed between the drain and the sanitary system so the liquids passing through the interceptor are trapped and separated by gravity through a baffle arrangement and are then diverted to an accumulator chamber and removed through the gravity draw-off built into the interceptor. This draw-off can be piped directly to a storage tank so the interceptor continuously and automatically drains the accumulated oils.

Each Oil Interceptor is furnished with a sediment bucket which collects chips, particles or other sediment frequently present in industrial waste that could clog the drainage system. A gasketed removable cover provides access for cleaning the interceptor. To eliminate pressure build-up inside the interceptor, a vent connection on each side of the body allows the venting of the interceptor.

A SMITH Oil Interceptor is sized in accordance with maximum anticipated gallon per minute flow rate of water that would be discharged through the drains it serves. A flow control fitting of the exact gallon per minute interceptor rating insures maximum oil interception efficiency.

DISHWASHER MACHINES

A separate grease Interceptor is recommended with each dishwashing machine. The size of the Interceptor is determined by the dishwasher capacity.



LOW TYPE - DISHWASHER INSTALLATION

Dishwasher Capacity	Gals.	15-20	20-30	30-50	50-70	70-100
Interceptor Size	Fig.	8015	8020 8120	8025	8035 8135	8050 8150

INTERCEPTORS

INSTRUCTIONS FOR ADJUSTING GRAVITY OIL DRAW-OFF

When the Interceptor is completely installed, establish operating water line by running water thru interceptor at maximum flow rate. Mark or locate this operating water line and adjust tubing 1/8" above this line as shown in Detail "A". Adjustment should be checked after Interceptor is in operation. If water is present in oil removed through gravity draw-off, adjustable brass tube should be raised slightly, until no water is present.

APPROVED BY N.Y. BOARD OF STANDARDS AND APPEALS
NO. 935-53-SM

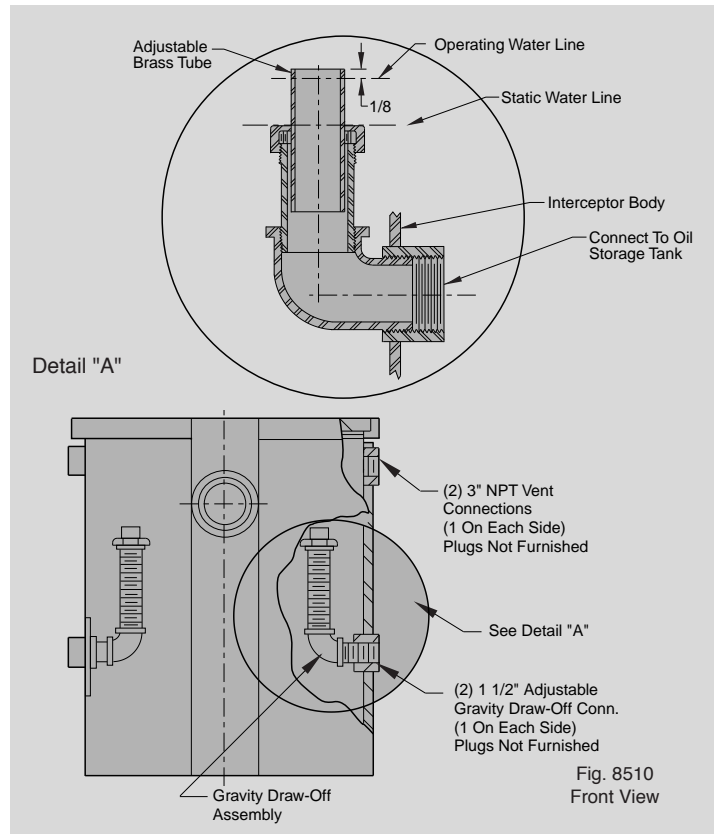
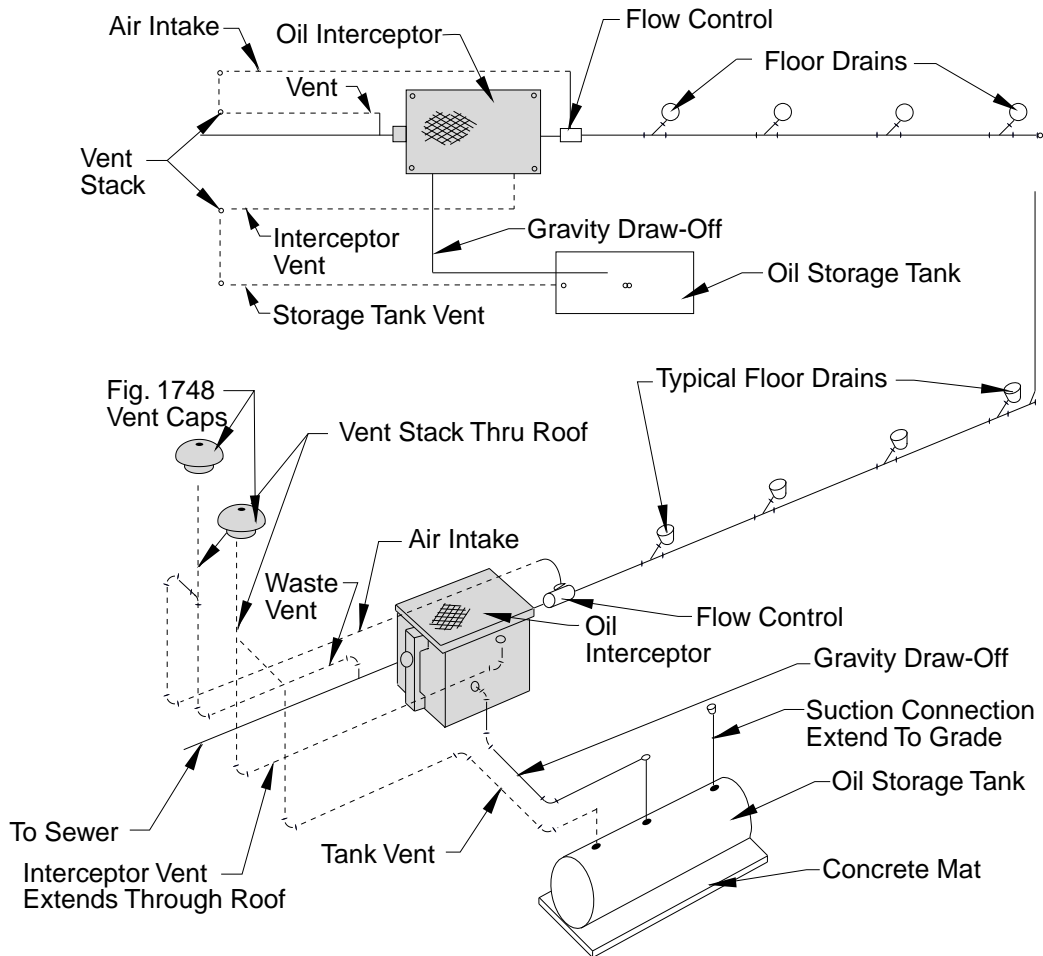


Fig. 8510
Front View

INSTALLATION EXAMPLE



NOTES

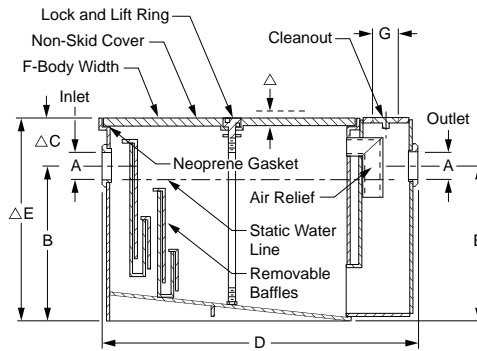
Please refer to the end of the Interceptor section for the Grease+Gard®II.

INTERCEPTORS



FIG. 8000 SERIES LARGE CAPACITY STEEL GREASE INTERCEPTORS

FUNCTION: Used in kitchens, restaurants, institutions and all types of food processing areas where waste water contains grease, fats and oil. Rate of flow into interceptor is controlled by a flow control fitting, thus enabling the interceptor to collect over 90% of the grease which flows into it. "Uni-lock" cover design permits fast cover removal for periodic cleaning. Interceptor may be set on floor, semi-recessed in floor or fully recessed with cover flush with finished floor. Fig. 8100 Series are extra low designs adaptable for use with dishwashers or low roughing sinks.



Side View
Fig. 8010 Shown

Δ NOTE: When tile top is specified, add 1". When Terrazzo top is specified, add 1 1/4".

OPTIONS:

- E Extension See Fig. 8210-8250 Series
- Y No-Hub Adaptor (2 req'd) See Fig. 2646Y
- Z Enzyme Opening in Cover 95.00

ADD

If purchasing the extension alone:

8210E06	879.00
8215E06	885.00
8220E06	961.00
8225E06	988.00
8235E06	1,066.00
8250E06	1,083.00



Figs. 8007 thru 8050 carry the Plumbing and Drainage Institute Certification Seal Certifying conformance to Grease Interceptor Standard PDI-G101.

INTERCEPTORS

FIGURE NO.	GPM FLOW RATE	GREASE CAP. LBS.	INLET & OUTLET SIZE A	ROUGHING DIM			BODY		C.O PLUG SIZE G	†DUCO INSIDE AND OUTSIDE	DUCO W/ARC INSIDE OR OUTSIDE	W/ARC INSIDE AND OUTSIDE	ADD FOR:				
				B	C	D	E HEIGHT	F WIDTH					LIFT OUT SEDIMENT BKT (-B)	H2O COVER	ALUM COVER (-AC)	COVER RECESSED FOR TILE (-TC)/ TERRAZZO (-QC)	APPROX. WT. LBS.
8004	4	8	02"	7 3/4"	3 1/4"	16 3/4"	11"	9"	2"	1,745.00	3,861.00	4,057.00	1,117.00	1,511.00	1,192.00	-	68
8007	7	14	02"	8 1/2"	3 1/2"	19"	12"	10"	2"	1,745.00	4,519.00	4,722.00	1,117.00	1,511.00	1,192.00	-	79
8010	10	20	*02"	9 1/2"	3 3/4"	21 1/4"	13"	11 1/2"	2"	1,917.00	5,045.00	5,262.00	1,117.00	1,690.00	1,192.00	3,202.00	115
8015	15	30	*02"	12"	3 1/2"	25"	15 1/2"	13 1/2"	2"	2,084.00	6,479.00	6,766.00	1,117.00	1,869.00	1,192.00	3,886.00	120
8020	20	40	*03"	13"	4"	28 1/2"	17"	15 3/4"	2"	2,628.00	7,428.00	7,824.00	1,146.00	1,869.00	1,557.00	4,347.00	125
8025	25	50	*03"	15 1/4"	4 1/2"	30"	19 3/4"	16 3/4"	2"	3,225.00	8,144.00	9,609.00	1,210.00	1,869.00	1,557.00	5,023.00	130
8035	35	70	*03"	16"	5"	32 1/2"	21"	18 1/4"	2"	3,779.00	9,609.00	10,145.00	1,295.00	2,669.00	1,557.00	6,167.00	155
8050	50	100	*03"	17 1/2"	6 3/4"	35 1/2"	24 1/4"	20 3/4"	2"	4,095.00	12,684.00	13,400.00	1,936.00	2,669.00	1,557.00	8,573.00	195
LOW TYPE																	
8120	20	40	*03"	7"	3 1/2"	38 1/2"	10 1/2"	21 3/4"	2"	3,988.00	9,101.00	9,585.00	886.00	-	1,557.00	9,286.00	145
8135	35	70	*03"	7"	4 3/4"	49 1/2"	11 3/4"	27 3/4"	2"	4,501.00	11,324.00	12,041.00	1,219.00	-	1,557.00	12,351.00	222
8150	50	100	*03"	10"	6"	49 1/2"	16"	27 3/4"	2"	5,850.00	18,009.00	18,993.00	1,255.00	-	1,557.00	15,891.00	343

*Available with one size larger inlet and outlet when specified. No charge.

REGULARLY FURNISHED: Steel Interceptor with Gray Duco Coating Inside and Outside and Flow Control Fitting.

FIG. P500 SERIES GREASE INTERCEPTORS

FUNCTION: Used in kitchens, restaurants, institutions and all types of food process areas where waste water contains grease, fats and oil. Rate of flow into interceptor is controlled by a flow control fitting, thus enabling the interceptor to collect over 90% of the grease which flows into it.



FIGURE NO.	GPM FLOW RATE	GREASE CAP. LBS.	PIPE SIZE A	DUCO COAT INSIDE AND OUTSIDE NO-HUB	DUCO COAT INSIDE AND OUTSIDE THREADED
P500-004	4	8	02"	1,434.00	1,460.00
P500-007	7	14	02"	1,554.00	1,581.00
P500-010	10	20	02"	1,683.00	1,706.00
P500-015	15	30	02"	1,911.00	1,996.00
P500-020	20	40	03"	2,283.00	2,406.00
P500-025	25	50	03"	2,498.00	2,683.00
P500-035	35	70	03"	2,756.00	2,954.00
P500-050	50	100	03"	3,379.00	3,523.00

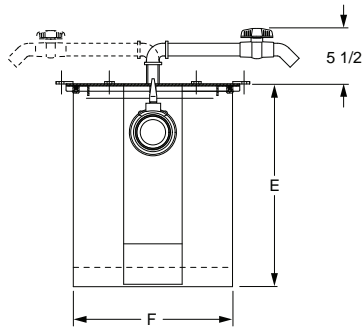


INTERCEPTORS

FIG. 8000GT SERIES STEEL GREASE INTERCEPTORS WITH SEMI-AUTOMATIC DRAW-OFF



FUNCTION: Used in all areas where grease, oil and fats must be intercepted and collected. Unique semi-automatic draw-off design permits removal of accumulated grease without cover removal. When specific directions are followed, accumulated grease in liquid form is discharged through the semi-automatic draw-off piping for convenient disposal. This design eliminates the messy cleaning job which must be done in ordinary types of interceptors.

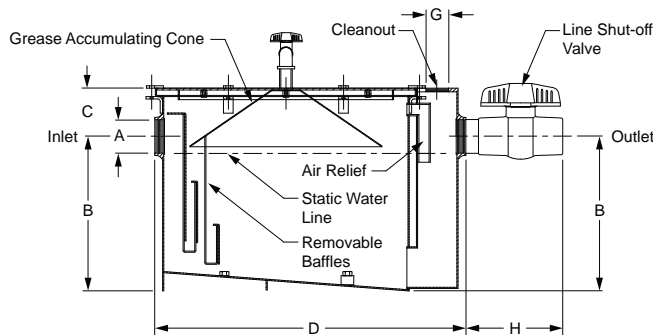


Front View

OPTIONS:

- Y With Bronze Line Shut-off Valve POA
- No-Hub Adaptor (2 req'd) See Fig. 2646Y

ADD



Side View
Fig. 8035GT Shown

FIGURE NO.	GPM FLOW RATE	GREASE CAP. LBS.	INLET & OUTLET SIZE A*	ROUGHING DIM			BODY		C.O PLUG SIZE G	LINE SHUT-OFF VALVE H	†DUCO COAT INSIDE AND OUTSIDE	W/ARC INSIDE OR OUTSIDE	W/ARC INSIDE AND OUTSIDE	APPROX. WT. LBS.
				B	C	D	E HEIGHT	F WIDTH						
8007GT	07	14	02"	8 1/2"	3 1/4"	19"	12"	10 3/4"	2"	6 3/4"	3,995.00	8,340.00	10,820.00	95
8010GT	10	20	02"	9 1/2"	3 3/4"	21 1/4"	13 1/4"	13"	2"	6 3/4"	4,303.00	9,418.00	11,950.00	110
8015GT	15	30	02"	12"	3 1/2"	25"	15 1/2"	14"	2"	6 3/4"	4,610.00	10,283.00	12,973.00	145
8020GT	20	40	03"	13"	4"	28 1/2"	17"	15 3/4"	2"	10"	4,919.00	12,819.00	15,773.00	130
8025GT	25	50	03"	15 1/4"	4 1/2"	30"	19 3/4"	16 3/4"	2"	10"	5,589.00	14,420.00	17,581.00	150
8035GT	35	70	03"	16"	5"	32 1/2"	21"	18 1/4"	2"	10"	6,761.00	14,832.00	18,201.00	180
8050GT	50	100	03"	17 1/2"	6 3/4"	35 1/2"	24 1/4"	20 3/4"	2"	10"	7,556.00	16,563.00	20,234.00	205
8075GT	75	150	04"	21 1/2"	15 1/2"	50"	37"	30 1/2"	3"	12 3/4"	12,909.00	18,333.00	23,158.00	250
LOW TYPE														
8120GT	20	40	03"	7"	3 1/2"	38 1/2"	10 1/2"	21 3/4"	2"	10"	10,460.00	14,291.00	17,591.00	140
8135GT	35	70	03"	7"	4 3/4"	49 1/2"	11 3/4"	27 3/4"	2"	10"	14,746.00	18,972.00	22,524.00	188
8150GT	50	100	03"	10"	6"	49 1/2"	16"	27 3/4"	2"	10"	18,089.00	22,691.00	27,593.00	213

*Available with larger inlet and outlet when specified. (Call for pricing)

REGULARLY FURNISHED: Steel Interceptor with Gray Duco Coating Inside and Outside with Steel Cone Draw-off Piping and Valve Line Shut-off Valve and Flow Control Fitting.



INTERCEPTORS

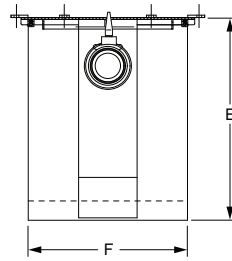
FIG. 8000GTX SERIES STEEL GREASE INTERCEPTORS W/SEMI-AUTOMATIC DRAW-OFF FOR RECESSED INSTALLATION



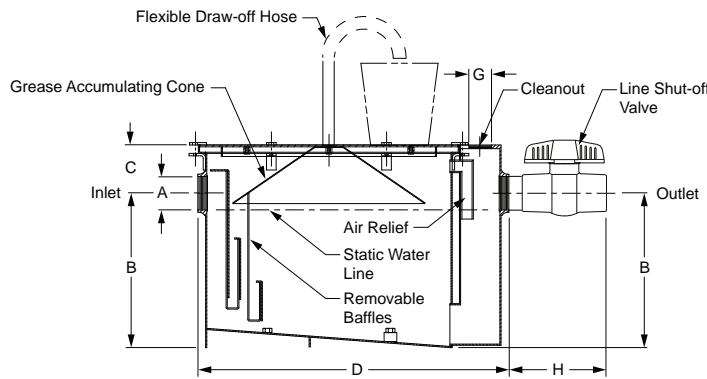
FUNCTION: Used in kitchens, restaurants, institutions and all types of food processing areas where grease must be intercepted. This type of interceptor is of the same design as the Fig. 8000GT Series, which permits semi-automatic grease removal without removing the cover. The Fig. 8000GTX Series is designed for recessed installation; therefore, the conventional draw-off piping is not included, a flexible removable draw-off hose is used.

OPTIONS:

- Y With Bronze Line Shut-off Valve..... **ADD POA**
- No-Hub Adaptor (2 req'd) **See Fig. 2646Y**



Front View



Side View

FIGURE NO.	GPM FLOW RATE	GREASE CAP. LBS.	INLET & OUTLET SIZE A*	ROUGHING DIM			BODY		C.O PLUG SIZE G	LINE SHUT-OFF VALVE H	†DUCO COAT INSIDE AND OUTSIDE	W/ARC INSIDE OR OUTSIDE	W/ARC INSIDE AND OUTSIDE	APPROX. WT. LBS.
				B	C	D	E HEIGHT	F WIDTH						
8007GTX	07	14	02"	8 1/2"	3 1/4"	19"	12"	10 3/4"	2"	6 3/4"	4,751.00	8,340.00	10,820.00	95
8010GTX	10	20	02"	9 1/2"	3 3/4"	21 1/4"	13 1/4"	13"	2"	6 3/4"	4,929.00	9,418.00	11,950.00	110
8015GTX	15	30	02"	12"	3 1/2"	25"	15 1/2"	14"	2"	6 3/4"	5,098.00	10,283.00	12,973.00	145
8020GTX	20	40	03"	13"	4"	28 1/2"	17"	15 3/4"	2"	10"	6,760.00	12,819.00	15,773.00	130
8025GTX	25	50	03"	15 1/4"	4 1/2"	30"	19 3/4"	16 3/4"	2"	10"	6,259.00	14,420.00	17,581.00	150
8035GTX	35	70	03"	16"	5"	32 1/2"	21"	18 1/4"	2"	10"	6,822.00	14,832.00	18,201.00	180
8050GTX	50	100	03"	17 1/2"	6 3/4"	35 1/2"	24 1/4"	20 3/4"	2"	10"	7,152.00	16,563.00	20,234.00	205
8075GTX	75	150	04"	21 1/2"	15 1/2"	50"	37"	30 1/2"	3"	12 3/4"	9,580.00	18,333.00	23,158.00	250
LOW TYPE														
8120GTX	20	40	03"	7"	3 1/2"	38 1/2"	10 1/2"	21 3/4"	2"	10"	10,460.00	14,291.00	17,591.00	140
8135GTX	35	70	03"	7"	4 3/4"	49 1/2"	11 3/4"	27 3/4"	2"	10"	14,746.00	18,972.00	22,524.00	188
8150GTX	50	100	03"	10"	6"	49 1/2"	16"	27 3/4"	2"	10"	18,089.00	22,691.00	27,593.00	213

*Available with larger inlet and outlet when specified. (Call for pricing)

REGULARLY FURNISHED: Steel Interceptor with Gray Duco Coating Inside and Outside with Steel Cone, Draw-off Hose and Cap, Line Shut-off Valve and Flow Control Fitting.

INTERCEPTORS



INTERCEPTORS

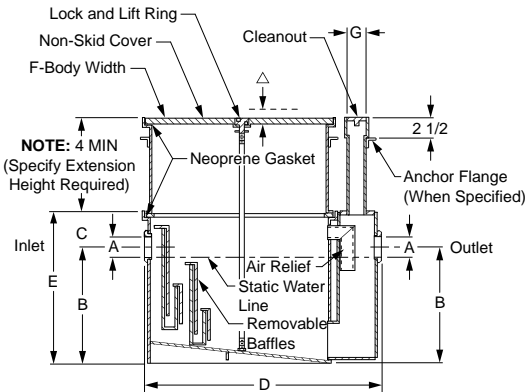
FIG. 8200 SERIES STEEL GREASE INTERCEPTORS WITH EXTENSION**

SMITH®



CUSTOMER DRIVEN SINCE 1926

FUNCTION: Used in kitchens, restaurants, institutions and all types of food processing areas where waste water contains grease, fats and oils which must be intercepted and collected before entering the drainage system. Interceptors with extensions are installed recessed in the floor with cover flush with finished floor. Extension provides additional roughing depth from top of interceptor to center line of inlet and outlet. Extension should not be used as a means for supporting the assembly. The entire interceptor body and extension must rest on solid ground or suitable support hangers.



Side View

OPTIONS:

- Y No-Hub Adaptor (2 req'd) See Fig. 2646Y
- Z Enzyme Opening in Cover 95.00

ADD

△NOTE: When tile top is specified, add 1".
When Terrazzo top is specified, add 1 1/4".



Figs. 8210 thru 8250 carry the Plumbing and Drainage Institute Certification Seal Certifying conformance to Grease Interceptor Standard PDI-G101.

FIGURE NO.	GPM FLOW RATE	GREASE CAP. LBS.	INLET & OUTLET SIZE A	ROUGHING DIM			BODY		C.O PLUG SIZE G	W/4 TO 6" EXTENSION †DUCCO INSIDE AND OUTSIDE	ADD FOR:		FLASHING FLANGE AND CLAMP (-F-C)	LIFT OUT SEDIMENT BKT (-B)	H2O COVER	ALUM COVER (-AC)	COVER RECESSED FOR TILE (-TC)/ TERRAZZO (-QC)	APPROX. WT. LBS.
				B	C	D	E HEIGHT	F WIDTH			**EACH 1" OF EXTENSION OVER 6"	ANCHOR FLANGE (-F)						
8210	10	20	02"	9 1/2"	3 3/4"	21 1/4"	13 1/4"	11 1/2"	2"	2,796.00	84.00	872.00	1,073.00	889.00	1,690.00	1,192.00	POA	180
*8215	15	30	02"	12"	3 1/2"	25"	15 1/2"	13 1/2"	2"	2,969.00	84.00	872.00	1,073.00	889.00	1,869.00	1,192.00	POA	184
*8220	20	40	03"	13"	4"	28 1/2"	17"	15 3/4"	2"	3,589.00	111.00	872.00	1,073.00	889.00	1,869.00	1,557.00	POA	211
*8225	25	50	03"	15 1/4"	4 1/2"	30"	19 3/4"	16 3/4"	2"	4,211.00	148.00	872.00	1,073.00	1,142.00	1,869.00	1,557.00	POA	230
*8235	35	70	03"	16"	5"	32 1/2"	21"	18 1/4"	2"	4,845.00	198.00	872.00	1,073.00	1,142.00	2,669.00	1,557.00	POA	265
*8250	50	100	03"	17 1/2"	6 3/4"	35 1/2"	24 1/4"	20 3/4"	2"	5,178.00	224.00	872.00	1,073.00	1,142.00	2,669.00	1,557.00	POA	289

*Available with one size larger inlet and outlet when specified. No charge.
Specify Extension height when ordering, measuring from top of interceptor to top of extension.
** For any fraction of an inch, go to next inch for pricing. (Example: 11 1/2", price for 12")

REGULARLY FURNISHED: Steel Interceptor and Extension with Gray Duco Coating Inside and Outside and Flow Control Fitting.

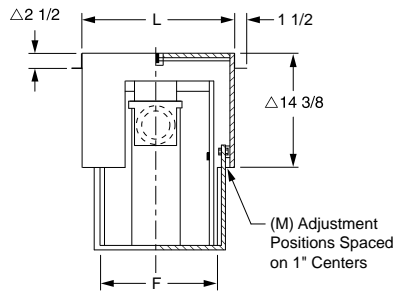


INTERCEPTORS

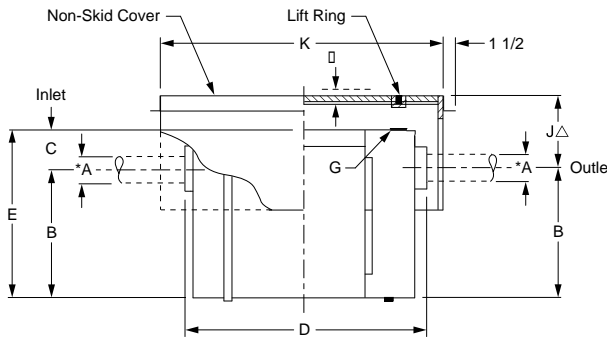
FIG. 8300 SERIES STEEL GREASE INTERCEPTORS WITH RECEIVING CRADLE



FUNCTION: The all steel receiving cradle provides positive support for the interceptor and vertical adjustability for the inlet and outlet connections to meet the drainage piping. The receiving cradle can be set in the slab at the time of pouring or set in a pre-sleeved opening in the rough slab. The cradle is secured and suspended in the rough slab by its anchoring flange. The interceptor is lowered into the receiving cradle and adjusted to the elevation of the drainage piping. Interceptor is readily accessible for cleaning and inspection simply by removing the cradle cover which sits flush with floor. The cradle supports the interceptor and has no provisions for waterproofing the interceptor in relation to the cradle and ceiling below.



Front View



Side View
Fig. 8335 Shown

OPTIONS:

- AC Aluminum Cover on Interceptor POA
- ACC Aluminum Cover on Cradle POA
- Y No-Hub Adaptor (2 req'd) See Fig. 2646Y

ADD

△NOTE: When tile top is specified, add 1".
When Terrazzo top is specified, add 1 1/4".



Figs. 8007 thru 8050 carry the Plumbing and Drainage Institute Certification Seal Certifying conformance to Grease Interceptor Standard PDI-G101.

INTERCEPTORS

FIGURE NO.	GPM FLOW RATE	GREASE CAP. LBS.	INLET & OUTLET SIZE A	ROUGHING DIM			BODY		C.O. PLUG SIZE G	CRADLE DIM				†DUCCO COAT INSIDE AND OUTSIDE	INTERC. ▲ w/ARC IN OR OUT -ARI	INTERC. ▲ w/ARC IN AND OUT -ARIO	ADD FOR:				
				B	C	D	E HEIGHT	F WIDTH		J△ MIN	K MAX	L LENGTH	M WIDTH				▲ -ARC (CRADLE)	LIFT OUT SEDIMENT BKT (-B)	DRIP PAN (-W)	APPROX. WT. LBS.	
8304	4	8	02"	7 3/4"	3 1/4"	16 3/4"	11"	10"	2"	6 3/4"	17 3/4"	27 1/4"	19 1/4"	12"	POA	POA	POA	POA	POA	POA	170
8307	7	14	02"	8 1/2"	3 1/2"	19"	12"	10 3/4"	2"	7"	17"	27 1/4"	19 1/4"	12"	POA	POA	POA	POA	POA	POA	180
8310	10	20	02"	9 1/2"	3 3/4"	21 1/4"	13 1/4"	13"	2"	7"	16"	27 1/4"	19 1/4"	12"	POA	POA	POA	POA	POA	POA	215
8315	15	30	02"	12"	3 1/2"	25"	15 1/2"	14"	2"	7 1/2"	18 1/2"	34 3/4"	22 3/4"	13"	POA	POA	POA	POA	POA	POA	270
8320	20	40	03"	13"	4"	28 1/2"	17"	15 3/4"	2"	7 1/2"	17 1/2"	34 3/4"	22 3/4"	13"	POA	POA	POA	POA	POA	POA	290
8325	25	50	03"	15 1/4"	4 1/2"	30"	19 3/4"	16 3/4"	2"	7 1/2"	19 1/2"	41 3/4"	28 1/4"	13"	POA	POA	POA	POA	POA	POA	320
*8335	35	70	03"	16"	5"	32 1/2"	21"	18 1/4"	2"	8 1/4"	18 3/4"	41 3/4"	28 1/4"	13"	POA	POA	POA	POA	POA	POA	345
*8350	50	100	03"	17 1/2"	6 3/4"	35 1/2"	24 1/4"	20 3/4"	2"	10 1/4"	17 1/4"	41 3/4"	28 1/4"	13"	POA	POA	POA	POA	POA	POA	410

*Available with one size larger inlet and outlet when specified. No charge.
 †Acid Resistant Coating on Interceptor only.
 ▲ When Acid Resistant Coating on Cradle is needed, -ARC must also be specified.

REGULARLY FURNISHED: Steel Interceptor and Receiving Cradle with Gray Duco Coating Inside and Outside and Flow Control Fitting.

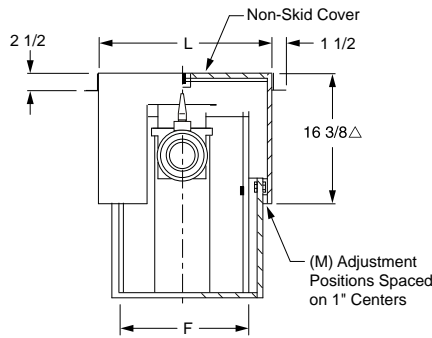


INTERCEPTORS

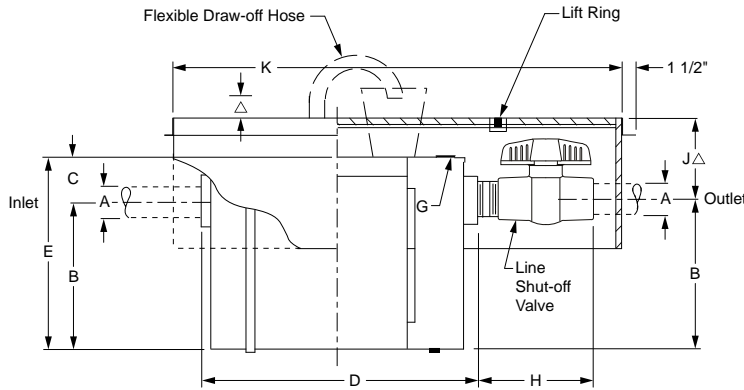
FIG. 8300GT SER. STEEL GREASE INTERCEPTORS W/SEMI-AUTOMATIC DRAW-OFF & RECEIVING CRADLE



FUNCTION: The all steel receiving cradle provides positive support for the interceptor and vertical adjustability for the inlet and outlet connections to meet the drainage piping. The receiving cradle can be set in the slab at the time of pouring or set in a pre-sleeved opening in the rough slab. The cradle is secured and suspended in the rough slab by its anchoring flange. The semi-automatic draw-off type grease interceptor is lowered into the receiver cradle and adjusted to the elevation of the drainage piping. The interceptor, line shut-off valve and flexible grease draw-off hose are readily accessible for cleaning and inspection simply by removing the cradle cover which sits flush with the floor. The cradle supports the interceptor and has no provisions for waterproofing the interceptor in relation to the cradle and ceiling below.



Front View



Side View
Fig. 8335GT Shown

Δ NOTE: When tile top is specified, add 1". When Terrazzo top is specified, add 1 1/4".

OPTIONS:

- AC Aluminum Cover on InterceptorPOA
- ACC Aluminum Cover on Cradle.....POA
- Y No-Hub Adaptor (2 req'd) See Fig. 2646Y
- With Bronze Line Shut-off Valve.....POA

ADD

FIGURE NO.	GPM FLOW RATE	GREASE CAP. LBS.	INLET & OUTLET SIZE A*	ROUGHING DIM			BODY			C.O. PLUG SIZE G	LINE SHUT-OFF VALVE H	CRADLE DIM			†DUCCO COAT INSIDE AND OUTSIDE	INTERC. *▲w/ARC IN OR OUT -ARI	INTERC. *▲w/ARC IN AND OUT -ARIO	ADD FOR:		APPROX. WT. LBS.	
				B	C	D	E HEIGHT	F WIDTH	J Δ MIN			MAX	**K LENGTH	L WIDTH				M	▲ -ARC (CRADLE)		DRIP PAN (-W)
8307GT	7	14	02"	8 1/2"	3 1/2"	19"	12"	10 3/4"	2"	6 3/4"	8"	19"	38 1/4"	19 1/4"	12"	POA	POA	POA	POA	POA	180
8310GT	10	20	02"	9 1/2"	3 3/4"	21 1/4"	13 1/4"	13"	2"	6 3/4"	7"	18"	38 1/4"	19 1/4"	12"	POA	POA	POA	POA	POA	215
8315GT	15	30	02"	12"	3 1/2"	25"	15 1/2"	14"	2"	6 3/4"	8 1/2"	20 1/2"	42 3/4"	22 3/4"	13"	POA	POA	POA	POA	POA	245
8320GT	20	40	03"	13"	4"	28 1/2"	17"	15 3/4"	2"	10"	7 1/2"	19 1/2"	42 3/4"	22 3/4"	13"	POA	POA	POA	POA	POA	312
8325GT	25	50	03"	15 1/4"	4 1/2"	30"	19 3/4"	16 3/4"	2"	10"	9 1/2"	21 1/2"	47 3/4"	25 3/4"	13"	POA	POA	POA	POA	POA	386
8335GT	35	70	03"	16"	5"	32 1/2"	21"	18 1/4"	2"	10"	8 3/4"	20 3/4"	47 3/4"	25 3/4"	13"	POA	POA	POA	POA	POA	325
8350GT	50	100	03"	17 1/2"	6 3/4"	35 1/2"	24 1/4"	20 3/4"	2"	10"	10 1/4"	19 1/4"	50 3/4"	28 1/4"	13"	POA	POA	POA	POA	POA	362
8375GT	75	150	04"	21 1/2"	15 1/2"	50"	37"	30 1/2"	3"	12 3/4"	16"	25"	66 1/2"	38 1/4"	13"	POA	POA	POA	POA	POA	419

*Acid Resistant Coating on Interceptor only.

**When specifying a larger Inlet & Outlet size, the "K" dimension must be increased.

▲ When Acid Resistant Coating on Cradle is needed, -ARC must also be specified.

REGULARLY FURNISHED: Fabricated Steel Interceptor and Receiving Cradle with Gray Duco Coating Inside and Outside with Steel Cone, Flexible Draw-off Hose and Cap, Line Shut-off Valve and Flow Control Fitting.

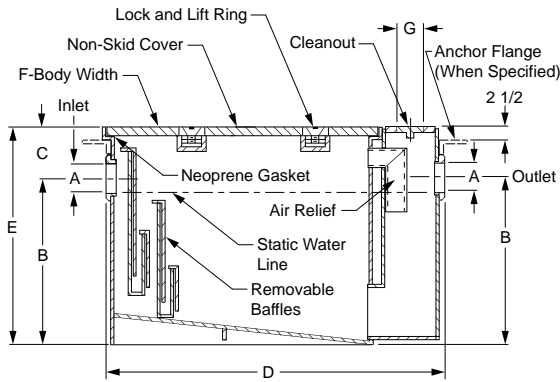


INTERCEPTORS

FIG. 8400 SERIES LARGE CAPACITY STEEL GREASE INTERCEPTORS



FUNCTION: Used in large kitchens or institutions where there is an anticipated high rate of discharge of grease and oil laden waste from the fixtures. Large fabricated steel units available from 75 to 500 gallons per minute are most adaptable to industrial applications such as food processing and packaging plants.



Side View
Fig. 8450 Shown

OPTIONS:

- AC Aluminum Cover on Interceptor POA
- Y No-Hub Adaptor (2 req'd) See Fig. 2646Y
- Inlet & Outlet, One Size Larger 438.00

ADD



▲ Fig. 8450 carries the Plumbing and Drainage Institute Certification Seal Certifying conformance to Grease Interceptor Standard PDI-G101.

INTERCEPTORS

FIGURE NO.	GPM FLOW RATE	GREASE CAP. LBS.	INLET & OUTLET SIZE A	ROUGHING DIM			BODY		C.O. PLUG SIZE G	†DUCO COAT	ADD FOR:				APPROX. WT. LBS.
				B	C	D	E HEIGHT	F WIDTH			H2O COVER	ANCHOR FLANGE (-F)	FLASHING FLANGE AND CLAMP (-FC)	SEDIMENT BKT (-B)	
▲8450	75	150	04"	21 1/2"	15 1/2"	50"	37"	30 1/2"	3"	7,103.00	4,711.00	1,080.00	1,307.00	POA	400
8460	100	200	04"	27"	16 1/2"	54"	43 1/2"	33 1/2"	3"	9,248.00	4,711.00	1,080.00	1,307.00	POA	600
8465	150	300	05"	33"	17 1/2"	60 3/4"	50 1/2"	38 1/2"	4"	12,422.00	4,801.00	1,080.00	1,307.00	POA	750
8470	200	400	05"	37"	17 1/2"	67 3/4"	54 1/2"	43 1/2"	4"	14,924.00	5,156.00	1,080.00	1,307.00	POA	1,200
8475	250	500	05"	40"	18"	73 3/4"	58"	47 1/2"	4"	17,246.00	5,264.00	1,080.00	1,307.00	POA	1,500
8480	350	700	05"	43 1/2"	18"	85 3/4"	61 1/2"	54 1/2"	4"	24,928.00	6,046.00	1,080.00	1,307.00	POA	1,900
8490	500	1000	06"	48"	18"	103 1/4"	66"	64 1/2"	5"	32,916.00	6,667.00	1,080.00	1,307.00	POA	2,400

REGULARLY FURNISHED: Steel Interceptor with Gray Duco Coating Inside and Outside and Flow Control Fitting.

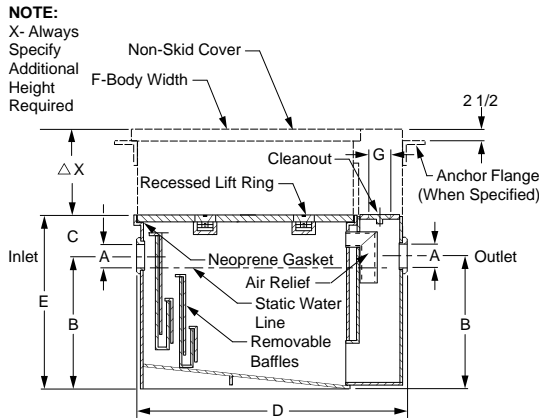


INTERCEPTORS

FIG. 8400E SERIES LARGE CAPACITY STEEL GREASE INTERCEPTORS W/INTEGRAL EXTENSION**



FUNCTION: Used in large kitchens or institutions where there is an anticipated high rate of discharge of grease and oil laden waste from the fixtures. Large fabricated steel units available from 75 to 500 gallons per minute are most adaptable to industrial applications such as food processing and packaging plants. Integral extension permits a greater dimension from center line of inlet and outlet to finished floor level to accommodate deeper roughing conditions. "X" dimension should always be specified when ordering.



Side View
Fig. 8450E Shown

OPTIONS:

- AC Aluminum Cover on Interceptor POA
- Y No-Hub Adaptor (2 req'd) See Fig. 2646Y
- Inlet & Outlet, One Size Larger 438.00

ADD



▲ Fig. 8450E carries the Plumbing and Drainage Institute Certification Seal Certifying conformance to Grease Interceptor Standard PDI-G101.

FIGURE NO.	GPM FLOW RATE	GREASE CAP. LBS.	INLET & OUTLET SIZE A	ROUGHING DIM			BODY		C.O. PLUG SIZE G	†Δ DUCO COAT W/ UP TO 10" EXT.	ADD FOR:					
				B	C	D	E HEIGHT	F WIDTH			**EACH ADD'L 1" OF EXT.	H2O COVER	ANCHOR FLANGE (-F)	FLASHING FLANGE AND CLAMP (-FC)	SEDIMENT BKT (-B)	APPROX. WT. LBS.
▲8450E	75	150	04"	21 1/2"	15 1/2"	50"	37"	30 1/2"	3"	7,910.00	287.00	4,711.00	1,080.00	1,307.00	POA	500
8460E	100	200	04"	27"	16 1/2"	54"	43 1/2"	33 1/2"	3"	10,342.00	287.00	4,711.00	1,080.00	1,307.00	POA	720
8465E	150	300	05"	33"	17 1/2"	60 3/4"	50 1/2"	38 1/2"	4"	13,521.00	336.00	4,801.00	1,080.00	1,307.00	POA	885
8470E	200	400	05"	37"	17 1/2"	67 3/4"	54 1/2"	43 1/2"	4"	16,229.00	368.00	5,156.00	1,080.00	1,307.00	POA	1,355
8475E	250	500	05"	40"	18"	73 3/4"	58"	47 1/2"	4"	18,552.00	427.00	5,264.00	1,080.00	1,307.00	POA	1,670
8480E	350	700	05"	43 1/2"	18"	85 3/4"	61 1/2"	54 1/2"	4"	26,234.00	476.00	6,046.00	1,080.00	1,307.00	POA	2,105
8490E	500	1000	06"	48"	18"	103 1/4"	66"	64 1/2"	5"	34,595.00	681.00	6,667.00	1,080.00	1,307.00	POA	2,635

Δ Specify Extension Height when ordering, measuring from top of interceptor to top of extension.

** For any fraction of an inch, go to next inch for pricing. (Example: 11 1/2", price for 12")

REGULARLY FURNISHED: Steel Interceptor with Gray Duco Coating Inside and Outside and Flow Control Fitting. Extension Height as Specified.



INTERCEPTORS

FIG. 8510, 8510E SERIES STEEL OIL INTERCEPTORS



FUNCTION: Fig. 8510, Used in service stations, parking garages, and industrial plants where discharged water contains oil and sediment. Interceptor collects oil and conveniently permits the collected oil to be drained to a storage tank by means of an adjustable gravity draw-off connection. Sediment and chips are collected in sediment bucket and should be periodically removed. Interceptors should not be located directly in traffic areas. If required, specify extra heavy duty traffic cover.

Fig. 8510E, Interceptors with extensions are installed recessed in the floor with cover flush with finished floor. Extension provides additional roughing depth from top of interceptor to centerline of inlet and outlet. Extension should not be used as a means for supporting the assembly. The entire interceptor body and extension must rest on solid ground or suitable support hangers.



OPTIONS:

Y No-Hub Adaptor (4 req'd) See Fig. 2646Y
 *Inlet & Outlet, One Size Larger..... 438.00

ADD

If purchasing the extension alone:

8510E06 POA
 8515E06 POA
 8520E06 POA
 8525E06 POA
 8535E06 POA
 8550E06 POA

LIST

POA
 POA
 POA
 POA
 POA
 POA

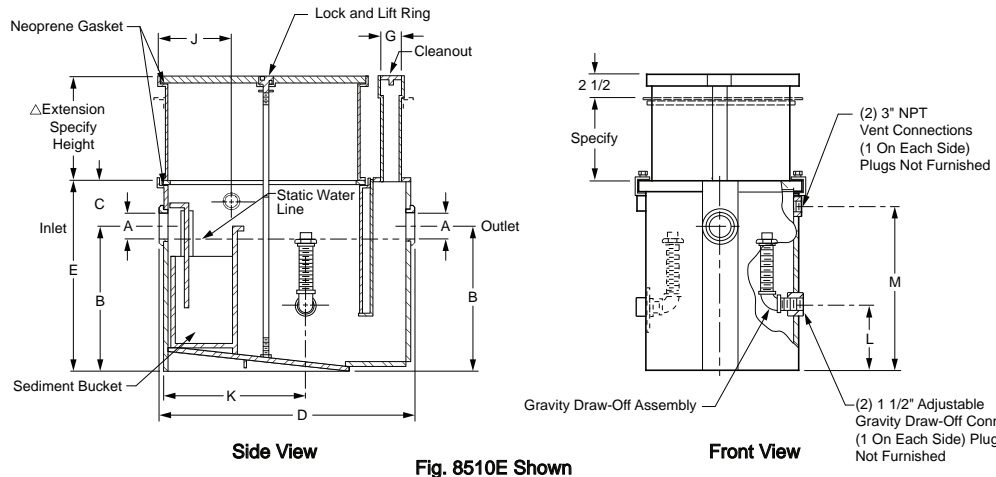
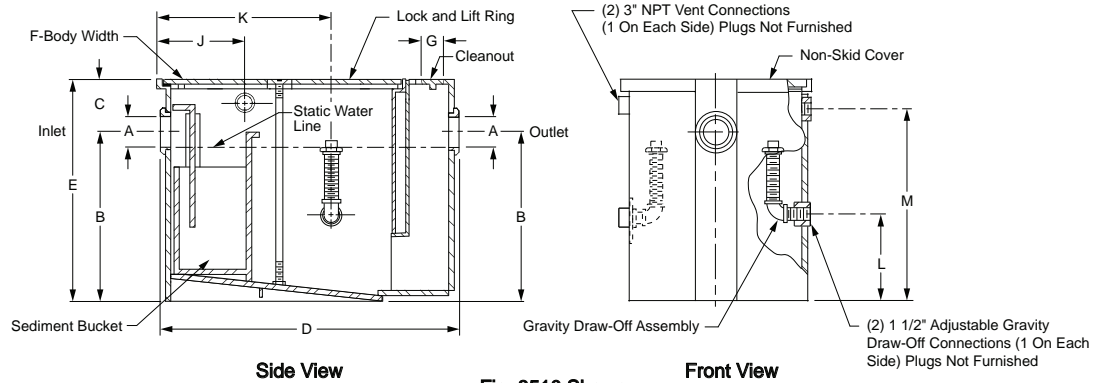


FIG. NO.	GPM FLOW RATE	INLET & OUTLET SIZE A	ROUGHING DIM			BODY			C.O. PLUG SIZE G	J	K	L	M	†STEEL DUCO COATED	INTERC. Δ WITH 4 TO 6" EXT (-E) DUCO COATED	**EA 1" EXT OVER 6"	ANCHOR FLANGE (-F) (W/EXT ONLY)	FLANGE AND FLASH CLAMP (-FC) (W/EXT ONLY)	H2O COVER	ALUM COVER (-AC)	APPROX. WT. LBS.
			B	C	D	E HEIGHT	F WIDTH														
8510	10	02"	9 1/2"	3 3/4"	21 1/4"	13 1/4"	11 1/2"	2"	9 1/2"	12"	4"	9 3/4"	2,985.00	3,846.00	68.00	1,014.00	1,094.00	1,717.00	POA	100	
8515	15	*02"	12"	3 1/2"	25"	15 1/2"	13 1/2"	2"	10 1/4"	14 1/4"	5 3/4"	12"	3,109.00	3,970.00	68.00	1,014.00	1,094.00	1,906.00	POA	110	
8520	20	*03"	13"	4"	28 1/2"	17"	15 3/4"	2"	12"	16 1/2"	4 1/2"	13 1/2"	3,399.00	4,305.00	68.00	1,014.00	1,094.00	2,094.00	POA	125	
8525	25	*03"	15 1/4"	4 1/2"	30"	19 3/4"	16 3/4"	2"	12 3/4"	18 3/4"	6 1/4"	16 1/4"	4,053.00	4,959.00	68.00	1,014.00	1,094.00	2,222.00	POA	145	
8535	35	*03"	16"	5"	32 1/2"	21"	18 1/4"	2"	14 1/2"	21 1/4"	7"	17 1/2"	4,640.00	5,579.00	68.00	1,014.00	1,094.00	2,287.00	POA	175	
8550	50	*03"	17 1/2"	6 3/4"	35 1/2"	24 1/4"	20 3/4"	2"	16"	22"	7 1/2"	20 3/4"	5,102.00	6,041.00	68.00	1,014.00	1,094.00	2,287.00	POA	215	

*Available with larger inlet and outlet when specified.

Δ Specify Extension Height when ordering, measuring from top of interceptor to top of extension.

** For any fraction of an inch, go to next inch for pricing. (Example: 11 1/2", price for 12")

REGULARLY FURNISHED: Fig. 8510, Steel Interceptor with Gray Duco Coating Inside and Outside and Flow Control Fitting.

Fig. 8510E, Steel Interceptor and Extension with Gray Duco Coating Inside and Outside and Flow Control Fitting.



INTERCEPTORS

INTERCEPTORS

FIG. 8560, 8560E SERIES LARGE CAPACITY STEEL OIL INTERCEPTORS



FUNCTION: Large capacity oil interceptors are used in large garages, service areas and industrial plants where waste laden with oil and sediment must be intercepted. The intercepted oils are drawn off by gravity to a storage tank or container. Any sediment which is included in the discharge is collected in a large sediment bucket and periodically removed. Interceptors should not be located directly in traffic areas. If required, specify extra heavy duty traffic cover.



OPTIONS:

- AC Aluminum Cover on Interceptor POA
- Y No-Hub Adaptor (4 req'd) See Fig. 2646Y
- *Inlet & Outlet, One Size Larger..... 438.00

ADD

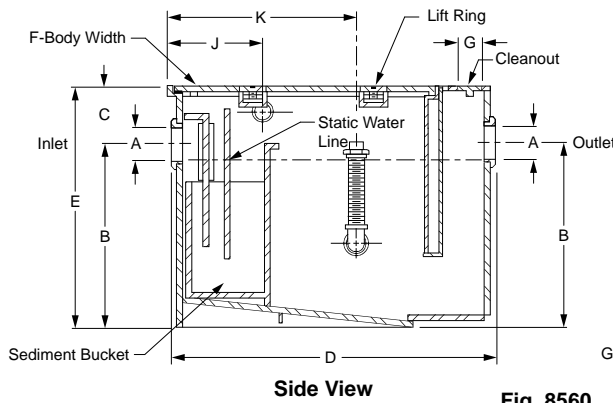


Fig. 8560

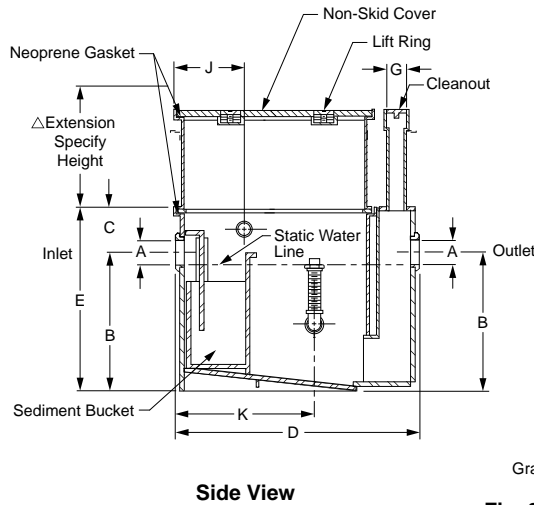
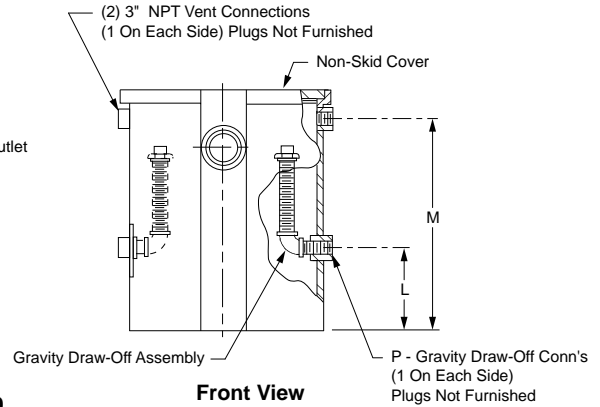


Fig. 8560E

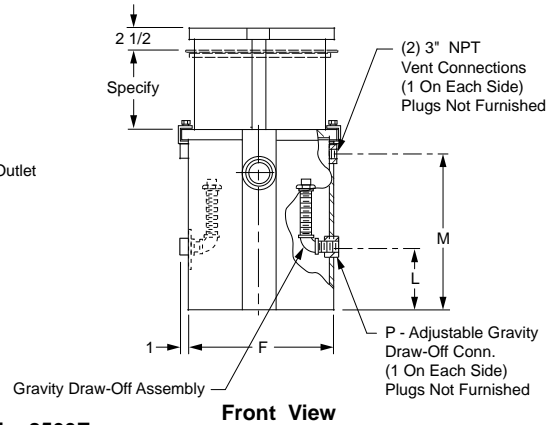


FIGURE NO.	GPM FLOW RATE	INLET & OUTLET SIZE *A	ROUGHING DIM			BODY		C.O. PLUG SIZE G	J	K	L	M	DRAW-OFF P	†STEEL DUCO COATED	INTERC. Δ WITH UP TO 10" EXT. (-E)	**EA 1" EXT. OVER 10"	ADD FOR:			APPROX. WT. LBS.
			B	C	D	E HEIGHT	F WIDTH										H2O COVER	ANCHOR FLANGE (-F) (W/EXT ONLY)	FLANGE AND FLASH CLAMP (-FC) (W/EXT ONLY)	
8560	75	04"	21 1/2"	15 1/2"	50 3/4"	37"	30 1/2"	3"	21"	28 1/4"	13"	32 3/4"	2"	9,932.00	11,074.00	77.00	2,287.00	1,269.00	1,308.00	470
8565	100	04"	27"	16 1/2"	54 3/4"	43 1/2"	33 1/2"	3"	23"	30 1/4"	18 1/2"	39 1/4"	2"	11,787.00	13,184.00	114.00	2,668.00	1,269.00	1,308.00	690
8570	150	05"	33"	17 1/2"	60 3/4"	50 1/2"	38 1/2"	4"	25 1/2"	34 1/4"	23 1/2"	46 1/4"	2 1/2"	15,088.00	16,485.00	114.00	3,428.00	1,269.00	1,308.00	860
8575	200	05"	37"	17 1/2"	67 3/4"	54 1/2"	43 1/2"	4"	29"	38 1/4"	27 1/2"	50 1/4"	2 1/2"	18,275.00	19,799.00	114.00	4,067.00	1,269.00	1,308.00	1,310
8580	250	05"	40"	18"	73 3/4"	58"	47 1/2"	4"	32"	42 1/4"	30 1/2"	53 3/4"	2 1/2"	20,787.00	22,439.00	114.00	5,335.00	1,269.00	1,308.00	1,620
8585	350	05"	43 1/2"	18"	85 3/4"	61 1/2"	54 1/2"	4"	38"	50 1/4"	34"	57 1/4"	2 1/2"	22,770.00	24,422.00	114.00	7,880.00	1,269.00	1,308.00	2,030
8590	500	06"	48"	18"	103 1/4"	66"	64 1/2"	5"	46"	62 1/4"	38"	61 3/4"	2 1/2"	30,491.00	32,143.00	114.00	10,985.00	1,269.00	1,308.00	2,540

*Available with larger inlet and outlet when specified.

Δ Specify Extension Height when ordering, measuring from top of interceptor to top of extension.

** For any fraction of an inch, go to next inch for pricing. (Example: 11 1/2", price for 12")

REGULARLY FURNISHED: Steel Interceptor with Gray Duco Coating Inside and Outside and Flow Control Fitting.



INTERCEPTORS

FIG. 8599 SERIES OIL INTERCEPTORS WITH INTEGRAL STORAGE COMPARTMENT

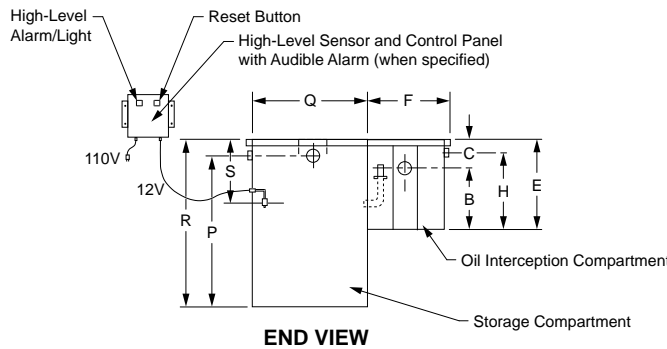
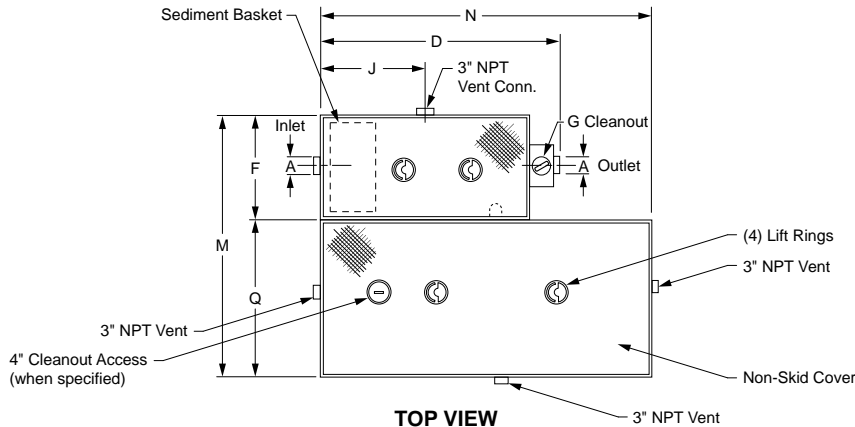


FUNCTION: Used in service stations, parking garages and industrial plants where discharged water contains oil and sediment. Interceptor collects oil and conveniently permits the collected oil to be drained to the integral storage compartment by means of an adjustable gravity draw-off connection. Sediment and chips are collected in the sediment bucket and should be periodically removed. Interceptors should not be located directly in traffic areas. If required specify traffic rated cover.



OPTIONS:

- CBS High Level Sensor and Control PanelPOA
- DWC Double Wall Containment (Note 1)POA
- H20 Traffic Rated CoverPOA
- 4" Cleanout AccessPOA
- Coal Tar InsidePOA



NOTES:

1. When double wall containment is specified, the overall dimensions change. Consult the factory for the double wall dimensions.
2. Interceptor shall be vented on outlet side per local code requirements.

MODEL NUMBER	OIL INTERCEPTOR COMPARTMENT										STORAGE TANK COMPARTMENT							†FAB STEEL DUCO COATED
	GPM	*A	B	C	D	E	F	G	H	J	GALS. CAP.	M	N	P	Q	R	S	
● 8599-10-5	10	02"	9 1/2"	3 3/4"	21 1/4"	13 1/4"	13"	2"	9 3/4"	9 1/2"	5	24"	21 1/4"	10 1/4"	11"	13 1/4"	9 1/4"	POA
8599-10-50	10	02"	9 1/2"	3 3/4"	21 1/4"	13 1/4"	13"	2"	9 3/4"	9 1/2"	50	25"	30"	50 3/4"	12"	55"	9 1/4"	POA
8599-15-50	15	02"	12"	3 1/2"	25"	15 1/2"	14"	2"	12"	10 1/4"	50	26"	30"	50 3/4"	12"	55"	9 3/4"	POA
8599-20-50	20	03"	13"	4"	28 1/2"	17"	15 3/4"	2"	13 1/2"	12"	50	27 3/4"	30"	50 3/4"	12"	55"	12 1/2"	POA
8599-25-100	25	03"	15 1/4"	4 1/2"	30"	19 3/4"	16 3/4"	2"	16 1/4"	12 3/4"	100	31 3/4"	50 3/4"	56 3/4"	15"	61"	13 1/2"	POA
8599-35-100	35	03"	16"	5"	32 1/2"	21"	18 1/4"	2"	17 1/2"	14 1/2"	100	33 1/4"	50 3/4"	56 3/4"	15"	61"	14"	POA
8599-50-100	50	03"	17 1/2"	6 3/4"	35 1/2"	24 1/4"	20 3/4"	2"	20 3/4"	16"	100	35 1/4"	50 3/4"	56 3/4"	15"	61"	16 3/4"	POA
8599-75-100	75	04"	21 1/2"	15 1/2"	50 3/4"	37"	30 1/2"	3"	32 3/4"	21"	100	45 1/2"	50 3/4"	56 3/4"	15"	61"	24"	POA
8599-100-250	100	04"	27"	16 1/2"	54 3/4"	43 1/2"	33 1/2"	3"	39 1/4"	23"	250	58 1/2"	60 3/4"	60 3/4"	25"	65"	25"	POA
8599-150-250	150	05"	33"	17 1/2"	60 3/4"	50 1/2"	38 1/2"	4"	46 1/4"	25 1/2"	250	63 1/2"	60 3/4"	60 3/4"	25"	65"	27"	POA
8599-200-250	200	05"	37"	17 1/2"	67 3/4"	54 1/2"	43 1/2"	4"	50 1/4"	29"	250	68 1/2"	60 3/4"	60 3/4"	25"	65"	27"	POA
8599-250-500	250	05"	40"	18"	73 3/4"	58"	47 1/2"	4"	53 3/4"	32"	500	79 1/2"	90 3/4"	71 3/4"	32"	76"	27 1/2"	POA
8599-300-500	300	05"	43 1/2"	18"	85 3/4"	61 1/2"	54 1/2"	4"	57 1/4"	38"	500	86 1/2"	90 3/4"	71 3/4"	32"	76"	27 1/2"	POA
8599-350-500	350	05"	43 1/2"	18"	85 3/4"	61 1/2"	54 1/2"	4"	57 1/4"	38"	500	86 1/2"	90 3/4"	71 3/4"	32"	76"	27 1/2"	POA
8599-400-500	400	06"	43 1/2"	18"	85 3/4"	61 1/2"	54 1/2"	4"	57 1/4"	38"	500	86 1/2"	90 3/4"	71 3/4"	32"	76"	27 1/2"	POA
8599-450-500	450	06"	48"	18"	103 1/4"	66"	64 1/2"	5"	61 3/4"	46"	500	96 1/2"	90 3/4"	71 3/4"	32"	76"	28"	POA
8599-500-750	500	06"	48"	18"	103 1/4"	66"	64 1/2"	5"	61 3/4"	46"	750	99 1/2"	103 1/4"	83 3/4"	35"	88"	28"	POA

*Available with larger inlet and outlet when specified.

●Recommended for Elevator Pits.

REGULARLY FURNISHED: Fabricated Steel with Diamond Plate Cover, Duco Coated Inside and Coal Tar Outside. Complete with Flow Control Fitting.

ULTRACEPT OIL/WATER SEPARATION SYSTEMS

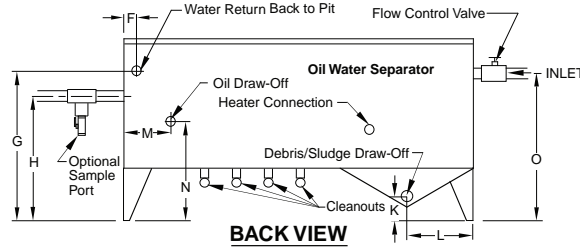
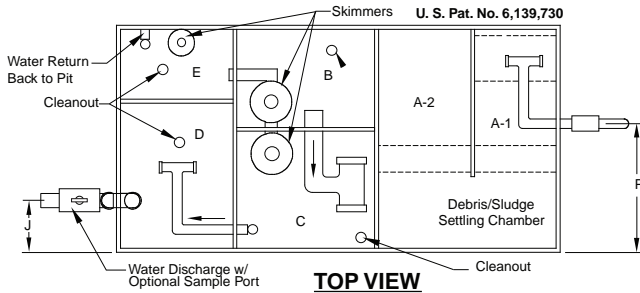
FIG. 8600 SERIES



Figure No.	
8602-S	POA
8602-M	POA
8605-S	POA
8605-M	POA

Figure No.	
8610-S	POA
8610-M	POA
8625-S	POA
8625-M	POA
8645-S	POA
8645-M	POA

FOR INFORMATION ON POA ITEMS, PLEASE CONTACT YOUR LOCAL JAY R. SMITH REPRESENTATIVE



Model	Construction Material	Flow Rate GPM	Inlet	Outlet	Water Return	Sludge Draw-Off	Oil Outlet	Waste Oil Cap	Length	Width	Height	Weight	Water Volume
8602	S.M	2	1 1/2"	1 1/2"	1 1/2"	1 1/2"	1 1/2"	4 gal	36"	24"	36"	150 lbs	67 gal
8605	S.M	5	1 1/2"	1 1/2"	1 1/2"	1 1/2"	1 1/2"	12 gal	60"	36"	36"	600 lbs	168 gal

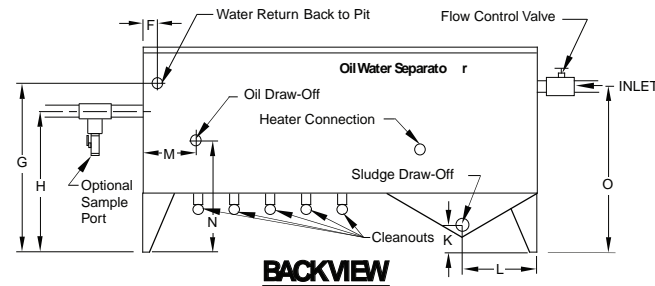
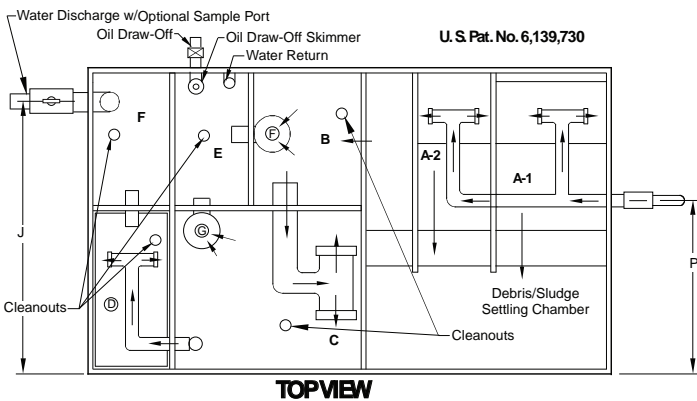
S = Stainless Steel M = Mild Steel

Model	F	G	H	J	K	L	M	N	O	P	Q
8602	4.00	31.00	28.5	10.00	12.00	6.32	8.00	24.56	34.25	21.00	12 ³
8605	5.125	25.7	25.7	2.5	4.47	12.07	12.00	16.7	33.32	18.00	45 ³

All Cleanouts and Water Return Lines are to be plumbed to a common 3" Line that goes back to Surge Pit. All external plumbing fittings are Sch. 40 PVC unless otherwise specified.

- A Inlet Compartment
- B Primary Skimming Compartment
- C Secondary Skimming Compartment
- D Final Polishing Compartment
- E Oil Collection Compartment
- F Water Return from Side
- G Water Return height from grade
- H Water Discharge height from grade
- J Water Discharge from side
- K Sludge draw-off height from grate
- L Sludge draw-off from side
- M Oil draw-off from side
- N Oil draw-off height from grade
- O Inlet height from grade
- P Inlet location from side
- Q Cubes (ft.)

NOTE: Ultracept® units exposed to freezing temperatures may require pipe insulation to be installed on exposed plumbing. Pipe insulation is by others.



Model	Construction Material	Flow Rate GPM	Inlet	Outlet	Water Return	Sludge Draw-Off	Oil Outlet	Waste Oil Cap	Length	Width	Height	Weight	Water Volume
8610	S.M	10	2"	3"	1 1/2"	3"	1 1/2"	23 gal	72"	36"	48"	925 lbs	400 gal
8625	S.M	25	2"	3"	1 1/2"	3"	1 1/2"	29 gal	84"	48"	48"	1175 lbs	628 gal
8645	S.M	45	2"	3"	1 1/2"	3"	1 1/2"	35 gal	96"	48"	48"	1395 lbs	718 gal

S = Stainless Steel M = Mild Steel

Model	F	G	H	J	K	L	M	N	O	P	Q
8610	18.07	35.82	33.7	29.88	6.00	12.07	21.875	28.82	43.69	18.00	72
8625	18.99	31.70	33.70	6.00	6.00	18.07	23.875	21.70	43.57	24.00	112
8645	26.875	36.00	33.88	42.12	6.15	18.07	32.31	29.00	43.88	24.00	128

NOTE: Ultracept® units exposed to freezing temperatures may require pipe insulation to be installed on exposed plumbing. Pipe insulation is by others.

- A Inlet Compartment
- B Primary Skimming Compartment
- C Secondary Skimming Compartment
- D Final Polishing Compartment
- E Oil Collection Compartment
- F Water Return from Side
- G Water Return height from grade
- H Water Discharge height from grade
- J Water Discharge from side
- K Sludge draw-off height from grate
- L Sludge draw-off from side
- M Oil draw-off from side
- N Oil draw-off height from grade
- O Inlet height from grade
- P Inlet location from side
- Q Cubes (ft.)

All Cleanouts and Water Return Lines are to be plumbed to a common 3" Line that goes back to Surge Pit. All external plumbing fittings are Sch. 40 PVC unless otherwise specified.

Industrial type facilities suffer from oily waste water problems from time to time. Federal and local regulations require that this waste water must be treated before it can be discharged into municipal sewers or subsurface waters.

The Ultracept Oil/ Water Separator by Jay R. Smith Mfg. Co. is designed to accomplish this task through a continuous skimming technique. The patented design uses the cohesive property of water and a multi-stage separation process to achieve high separation efficiency.

The Ultracept Oil/Water Separator is designed to be installed so that contaminated water is pumped from a surge pit into the Ultracept unit. The separator, having been filled with clean water prior to the startup,

then uses the surface tension of the clean water to promote and enhance waster separation. The water then travels through a series of chambers for gravity discharge to a sanitary sewer or to a recycling system.

Features and Benefits:

- Available in stainless steel and epoxy coated steel
- Regularly furnished with a flow control valve and all required plumbing components
- Simple, above ground installation
- Low maintenance, no coalescing packs
- Meets discharge regulations
- All units come in either stainless steel (S) or Mild steel (M)
- All units have 1-1/2" water return and 1 1/2" oil outlet



INTERCEPTORS



FIG. 8710, 8714, 8715 SOLIDS INTERCEPTOR FLUSH W/FLOOR, ON-THE FLOOR OR FIG. 8730 SUSPENDED TYPE

FUNCTION: Provides a means of collecting solids such as metal chips, plaster and stones before entering the drain line preventing line stoppage. The Fig. 8710 and Fig. 8714 small capacity interceptors are ideal for dental offices or similar establishments where the unit can be mounted directly under the sink to recover precious metals as well as intercept harmful debris. Fig. 8715 larger capacity interceptors are ideal for hospitals where a greater amount of solids is anticipated in the drainage water. Fig. 8710 and Fig. 8715 units are cleaned by removing cover and lifting strainer and screen assembly vertically out of body. Fig. 8714 has an internal deep seal trap and is cleaned by removing cover and lifting sediment bucket vertically out of the body. The compact design of Fig. 8730 suspended type makes this unit particularly adaptable for use directly under the fixture in place of the regular "P" trap. Unit will intercept all types of solids and precious metals. Interceptor is cleaned and inspected by removing bottom sediment strainer plate and dropping entire assembly.

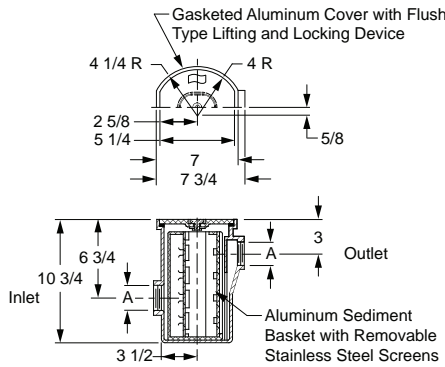


Fig. 8710

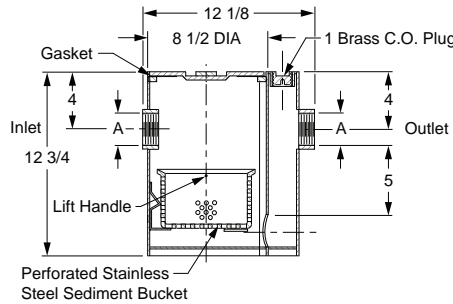


Fig. 8714

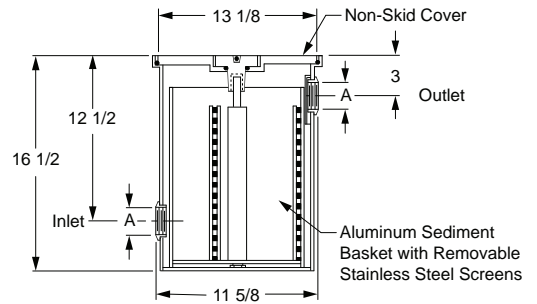


Fig. 8715

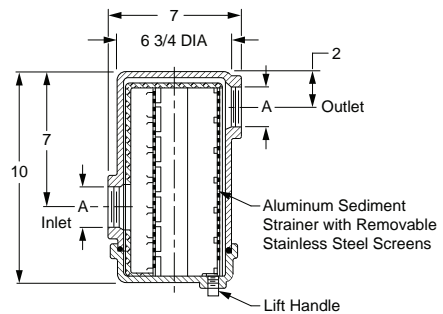


Fig. 8730

FLUSH WITH FLOOR OR ON-THE-FLOOR TYPE						
FIGURE NO.	INLET & OUTLET SIZE	†DUCO CI	W/ARC IN (ARI) OR OUT(ARO)	W/ARC IN & OUT(ARIO)	W/ALUM BODY (-AA)	APPROX. WT. LBS.
8710	0150 or 02"	982.00	1,462.00	1,462.00	POA	25
8714	0150 or 02"	982.00	1,462.00	1,462.00	-	43
8715	0150 or 02"	3,035.00	4,692.00	4,692.00	-	140
SUSPENDED TYPE						
8730	0150 or 02"	982.00	1,462.00	1,462.00	POA	20

REGULARLY FURNISHED:

Fig. 8710 White Duco Coated Cast Iron Body with Aluminum Gasketed Cover and Sediment Strainer with Removable Stainless Steel Screens.

Fig. 8714, Fabricated Steel Body with Galvanized Sub-Coat with White Duco Finish Inside and Outside, Stainless Steel Perforated Bucket and Aluminum Cover.

Fig. 8715 Fabricated Steel Body with Galvanized Sub-Coat with White Duco Finish Inside and Outside, Sediment Strainer with Removable Stainless Steel Screens and Cast Iron Cover.

Fig. 8730, White Duco Coated Cast Iron Body and Aluminum Strainer with Removable Stainless Steel Screens.

INTERCEPTORS



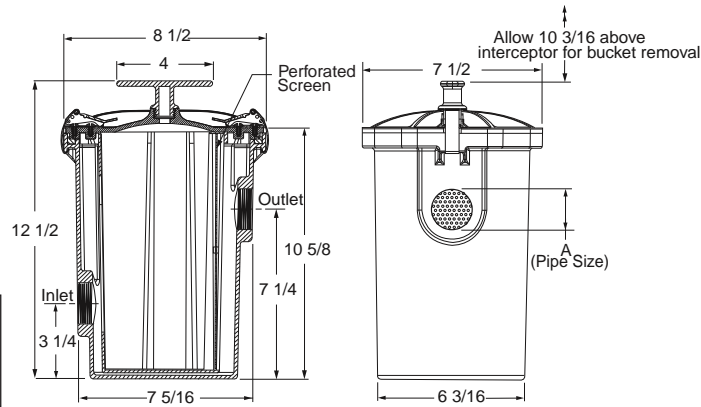
INTERCEPTORS

FIG. 8710-ABS SOLIDS INTERCEPTORS

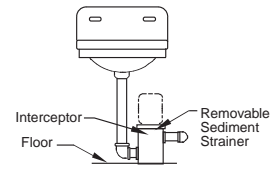


FUNCTION: Provides a means of collecting solids such as metal chips, plaster and stones before entering the drain line preventing line stoppage. The Fig. 8710 interceptor is ideal for dental offices or similar establishments where the unit can be mounted directly under the sink to recover precious metals as well as intercept harmful debris. Fig. 8710 is cleaned by removing cover and lifting strainer and screen assembly vertically out of body.

FIGURE NO.	INLET & OUTLET SIZE A	PRICE	APPROX. WEIGHT LBS.
8710-ABS	0150" or 02"	887.00	4



TYPICAL INSTALLATION

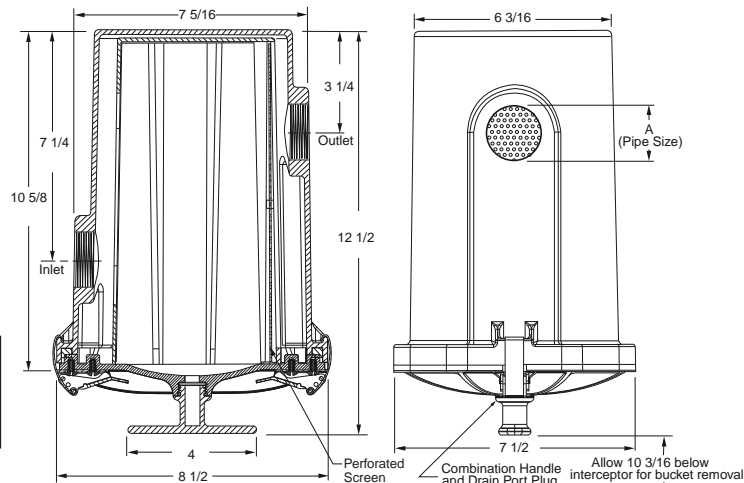


REGULARLY FURNISHED: All ABS White Body, Gasketed Cover with Stainless Steel Latches and Removeable Sediment Bucket with Removeable 3/32 Diameter Perforated Screen.

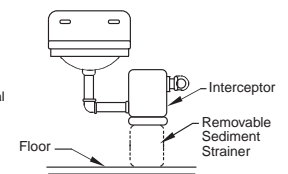
FIG. 8730-ABS SOLIDS INTERCEPTORS - SUSPENDED TYPE

FUNCTION: Compact design makes this unit particularly adaptable for use directly under the fixture in place of the regular "P" trap. Unit will intercept all types of solids and precious metals. Interceptor is cleaned and inspected by removing bottom sediment strainer plate and dropping entire assembly.

FIGURE NO.	INLET & OUTLET SIZE A	PRICE	APPROX. WEIGHT LBS.
8730-ABS	0150" or 02"	887.00	4



TYPICAL INSTALLATION



REGULARLY FURNISHED: All ABS White Body, Gasketed Cover with Stainless Steel Latches and Removeable Sediment Bucket with Removeable 3/32 Diameter Perforated Screen.

FIG. 8738 SIDE ACCESS SOLIDS INTERCEPTORS

FUNCTION: Provides a means of collecting solids in under sink installations where there are height restrictions for top removal. The side access cover requires no clearance above the unit for cover and bucket removal.

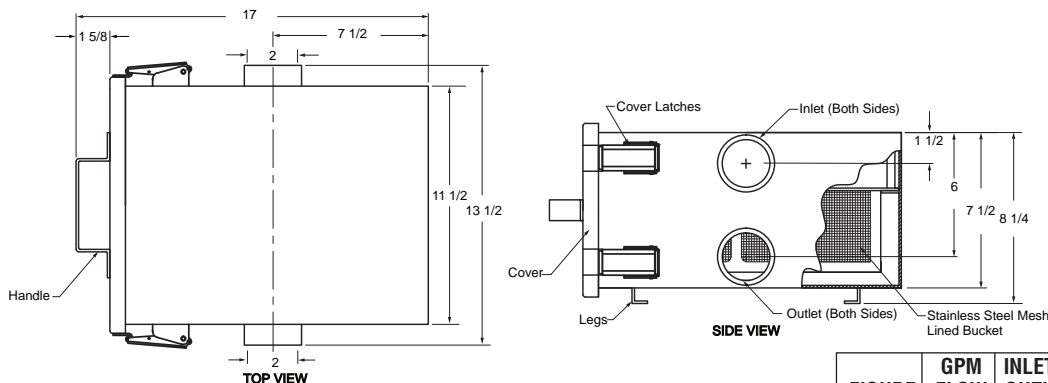


FIGURE NO.	GPM FLOW RATE	INLET & OUTLET SIZE	†FAB STAINLESS STEEL (304)
8738	35	2	5,584.00

REGULARLY FURNISHED: Fabricated Type 304 Stainless Steel Solids Interceptor with Dual High Inlet and Dual Low Outlet, Mesh Lined Basket and Gasketed Locking Cover.

INTERCEPTORS

FIG. 8750, FIG. 8760 SUSPENDED TYPE HAIR AND LINT SOLIDS INTERCEPTORS



FUNCTION: Installed on the lavatory or sink in dormitories, motels and beauty salons. Intercepts hair and sediment which is commonly encountered in these areas. Serves also as a safeguard against losing rings and other valuable jewelry due to accidental dropping into lavatory drain. Unit is easily cleaned by removing cleanout plug on bottom of body and dropping perforated basket

OPTIONS:

Replacement SS Sediment Retainer
(with purchase of Interceptor)177.00

ADD

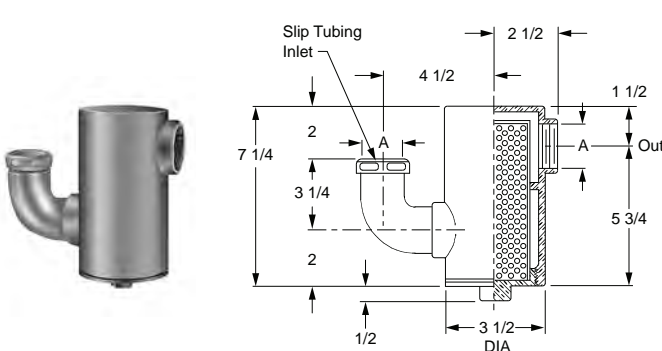


Fig. 8750

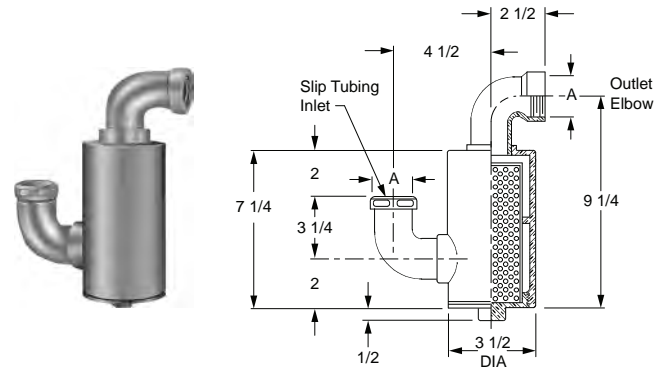


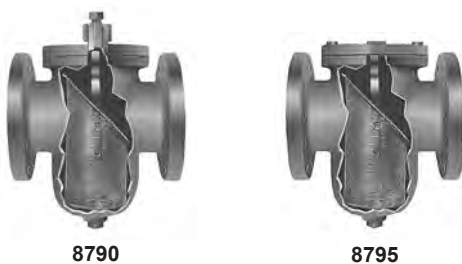
Fig. 8760

FIGURE NO.	INLET & OUTLET SIZE A	†CHROME PLATED BRONZE	POLISHED BRONZE (-PB)	CHROME PLATED CAST IRON (-CPCI)	DUCO CAST IRON (-CI)	APPROX. WEIGHT LBS.
8750	0125 or 0150"	1,807.00	1,285.00	1,155.00	736.00	6
WITH TOP OUTLET ELBOW						
8760	0125 or 0150"	2,017.00	1,514.00	1,435.00	823.00	9

REGULARLY FURNISHED: Chrome Plated Bronze Body, Gasketed Cover and Slip-Type Inlet Elbow with Perforated Stainless Steel Basket.

FIG. 8790, FIG. 8795 BASKET STRAINER SOLIDS INTERCEPTORS SUSPENDED TYPE

FUNCTION: Installed at the suction side of pump equipment to intercept hair, lint, leaves, paper scraps and other debris which might damage the pump. Fig 8790 has a yoke type cover clamp for fast cover removal when basket has to be cleaned. Fig. 8795 has a bolted cover which is recommended where pressures are higher and protection against tampering is desired.



8790

8795

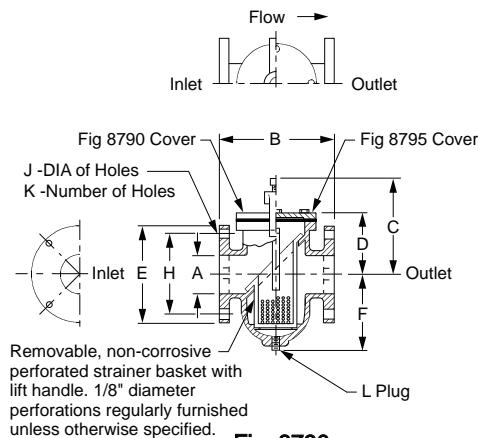


Fig. 8790

A SIZE	B	C	D	E DIA	F	H DIA	J DIA	K	L	†DUCO CAST IRON	FOR EACH REPLACEMENT BASKET	APPROX. WEIGHT LBS.
02"	8 3/4"	7 3/4"	4 1/2"	6"	5 1/2"	4 3/4"	3/4"	4	3/4"	1,943.00	956.00	35
0250"	8 3/4"	7 3/4"	4 3/4"	7"	5 1/2"	5 1/2"	3/4"	4	3/4"	2,073.00	956.00	40
03"	8 3/4"	7 1/4"	4 1/2"	7 1/2"	6"	6"	3/4"	4	3/4"	3,218.00	956.00	40
04"	11"	7 1/2"	5"	9"	7 3/4"	7 1/2"	3/4"	8	3/4"	4,490.00	1,251.00	60
05"	11"	8 1/4"	5 1/4"	10"	8 1/2"	8 1/2"	7/8"	8	1 1/4"	6,094.00	1,596.00	90
06"	15 1/4"	10 3/4"	6 1/2"	11"	12 3/4"	9 1/2"	7/8"	8	1 1/4"	7,616.00	1,981.00	130
08"	17"	11"	6 1/2"	13 1/2"	15 1/4"	11 3/4"	7/8"	8	1 1/4"	12,364.00	3,308.00	200
10"	21 1/2"	13"	8"	16"	17 1/2"	14 1/4"	1"	12	1 1/4"	22,828.00	4,647.00	330

REGULARLY FURNISHED: Duco Coated Body and Cover.



INTERCEPTORS

FIG. 8811 SERIES SAND INTERCEPTORS



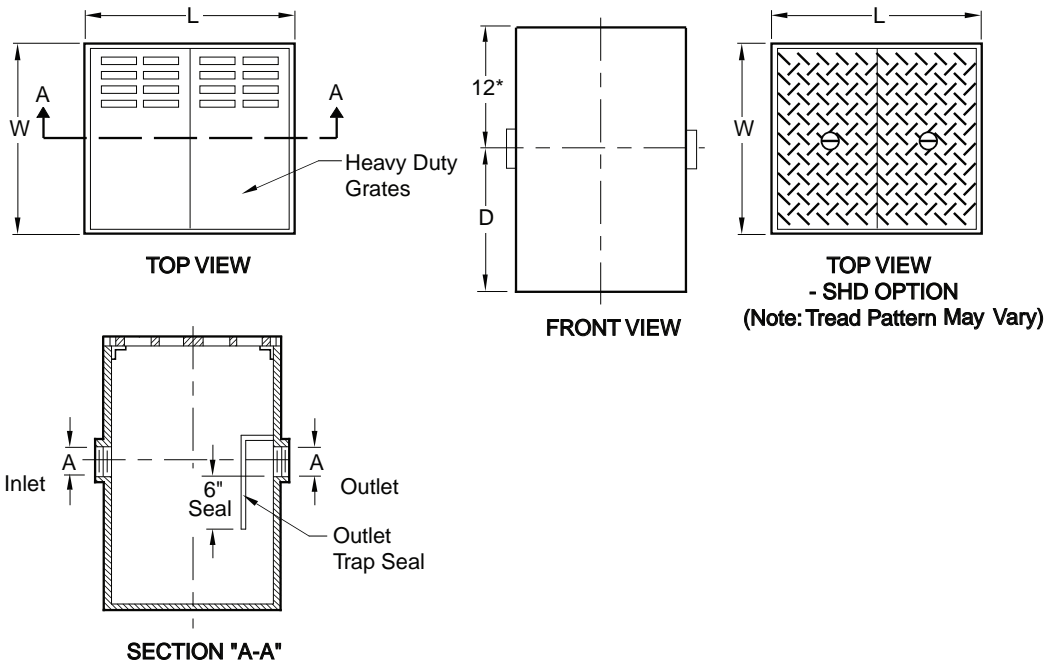
FUNCTION: Used in service areas to receive wastewater with sand and sediment through the top grates or from additional drains upstream through the inlet connection. Regular cleaning is required for proper operation.



OPTIONS:

Y No-Hub Adaptor (2 req'd) See Fig. 2646Y

ADD



NOTES: Interceptor shall be vented on outlet side per local code requirements.
 It is the responsibility of the installer to check all parts (internal and external) to verify they are in their proper operating order and location.
 *12" Regularly Furnished -Specify dimension if higher or lower is required.
 **When specifying H20 Ductile Iron Slotted Grates, additional supports are furnished under each grate.

FIGURE NO.	GPM FLOW RATE	A PIPE SIZE	L	W	D	CAPACITY GALS	NO. OF 12" X 24" GRATES	†STEEL DUCO COATED	ADD FOR:					APPROX. WEIGHT LBS.
									EXT. (-E) UP TO 6"	EXT. PER INCH OVER 6"	DUCTILE IRON GRATE (-M)	HVY DUTY DIA. PLT CVR (-SHD)	VANDAL PROOF (-U)	
8811-20	20	04"	24 3/8"	24 3/8"	26"	60	2	13,984.00	847.00	96.00	POA	POA	112.00	285
8811-50	50	04"	48 3/8"	48 3/8"	26"	120	4	23,710.00	1,318.00	320.00	POA	POA	112.00	489
8811-150	150	04"	48 5/8"	49"	38"	360	8	65,685.00	2,355.00	320.00	POA	POA	112.00	940
8811-250	250	06"	72 5/8"	49"	39"	540	12	74,570.00	3,536.00	399.00	POA	POA	112.00	1,410
8811-500	500	06"	120 5/8"	49"	51"	1200	20	95,957.00	6,011.00	591.00	POA	POA	112.00	2,397

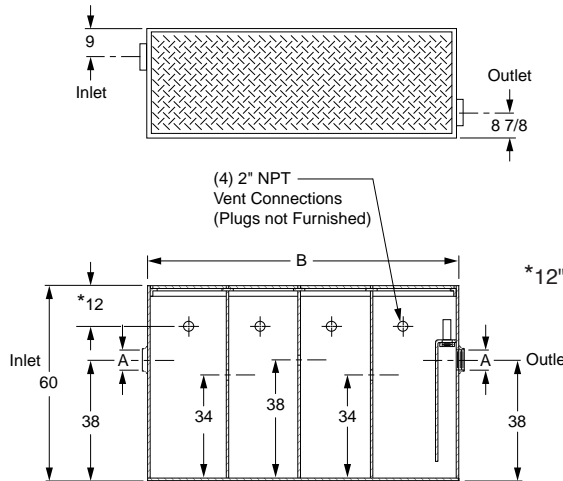
REGULARLY FURNISHED: Fabricated Steel Catch Basin, Gray Duco Coated Inside and Outside, Threaded Inlet and Outlet (with Outlet Trap Seal).

INTERCEPTORS



FIG. 8817 SERIES SAND AND SEDIMENT INTERCEPTORS

FUNCTION: Used in maintenance to receive wastewater that contains sand and sediment. The solid baffle system enhances the separation process as sand and sediment settle out within each chamber as the water flows through the interceptor. Regular cleaning is required for proper operation.



OPTIONS:

- SS All Stainless Steel POA
- Y No-Hub Adaptor (4 req'd) See Fig. 2646Y

ADD

..... POA

..... See Fig. 2646Y

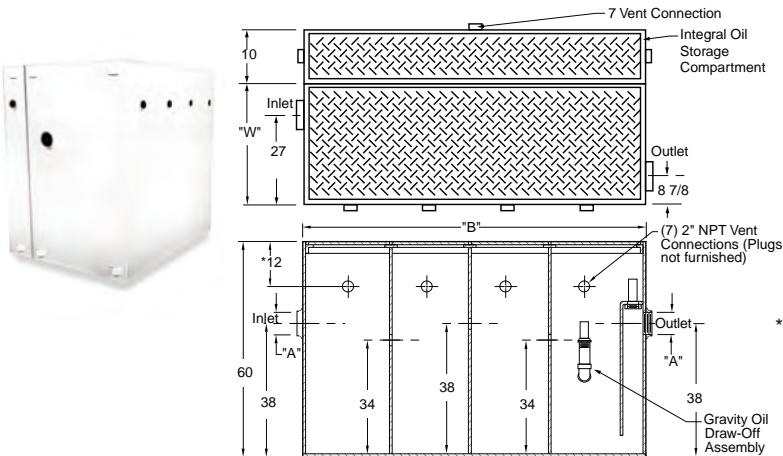
*12" Regularly Furnished -Specify dimension if higher or lower is required.

FIGURE NO.	SIZE (GALLONS)	CUBIC FEET	A PIPE SIZE	WIDTH	B LENGTH	†STEEL ARC COATED	ADD FOR:				APPROX. WEIGHT LBS.
							EXT. (-E) UP TO 6"	EXT. PER INCH OVER 6"	EXTRA HEAVY DUTY REINF. COVER (-XHD)	ANCHOR FLANGE (-F)	
8817-300	300	43	04" NPT	36"	60"	21,954.00	1,623.00	148.00	3,368.00	988.00	1,600
8817-400	400	54	04" NPT	36"	72"	23,326.00	1,623.00	148.00	3,993.00	988.00	1,750
8817-500	500	72	04" NPT	36"	96"	24,698.00	1,623.00	148.00	5,239.00	988.00	2,100
8817-600	600	81	04" NPT	36"	108"	27,444.00	1,623.00	249.00	5,863.00	988.00	2,500
8817-700	700	90	04" NPT	36"	120"	30,188.00	1,623.00	249.00	6,439.00	988.00	2,700
8817-800	800	108	04" NPT	36"	144"	32,932.00	1,747.00	399.00	7,111.00	988.00	3,000
8817-1000	1000	135	04" NPT	36"	180"	38,420.00	1,747.00	399.00	8,626.00	988.00	3,640

REGULARLY FURNISHED: Duco Coated Fabricated Steel Body and Non-Skid Cover.

INTERCEPTORS

FIG. 8818 SERIES SAND AND SEDIMENT INTERCEPTORS WITH STORAGE COMPARTMENT



OPTIONS:

- SS All Stainless Steel POA
- Y No-Hub Adaptor (4 req'd) See Fig. 2646Y

ADD

..... POA

..... See Fig. 2646Y

*12" Regularly Furnished -Specify dimension if higher or lower is required.

FIGURE NO.	SIZE (GALLONS)	CUBIC FEET	A PIPE SIZE	WIDTH	B LENGTH	†STEEL ARC COATED	ADD FOR:					GALLONS OIL STORAGE COMPARTMENT
							EXT. (-E) UP TO 6"	EXT. PER INCH OVER 6"	EXTRA HEAVY DUTY REINF. COVER (-XHD)	ANCHOR FLANGE (-F)	ANCHOR FLANGE & CLAMP (-FC)	
8818-300	300	43	04" NPT	36"	60"	POA	POA	POA	POA	POA	POA	50
8818-400	400	54	04" NPT	36"	72"	POA	POA	POA	POA	POA	POA	50
8818-500	500	72	06" NPT	36"	96"	POA	POA	POA	POA	POA	POA	100
8818-600	600	81	06" NPT	36"	108"	POA	POA	POA	POA	POA	POA	100
8818-700	700	90	06" NPT	36"	120"	POA	POA	POA	POA	POA	POA	125
8818-800	800	108	06" NPT	36"	144"	POA	POA	POA	POA	POA	POA	150
8818-1000	1000	135	06" NPT	36"	180"	POA	POA	POA	POA	POA	POA	150

REGULARLY FURNISHED: Acid Resistant Coated Fabricated Steel Interceptor, Integral Oil Storage Compartment, Oil Draw-Off and Diamond Plated Secured Covers.

INTERCEPTORS

FIG 8870 SERIES SOLIDS INTERCEPTOR WITH GASKETED QUICK LATCHING COVER



Fig. No	GPM	†Fabricated Steel	Unit w/ARIO	Ext (-E) Up to 6"	Ext Per 1" over 6"	Ext (-E) Up to 6" w/ARIO	Ext Per 1" over 6" w/ARIO
8870Y02	4	3,180.00	POA	POA	POA	POA	POA
8871Y02	7	3,220.00	POA	POA	POA	POA	POA
8872Y02	10	3,312.00	POA	POA	POA	POA	POA
8873Y02	15	3,493.00	POA	POA	POA	POA	POA
8874Y03	20	3,658.00	POA	POA	POA	POA	POA
8875Y03	25	3,896.00	POA	POA	POA	POA	POA
8876Y03	35	4,089.00	POA	POA	POA	POA	POA
8877Y03	50	4,334.00	POA	POA	POA	POA	POA
8878Y04	75	4,631.00	POA	POA	POA	POA	POA

Y † No-Hub Inlet/Outlet

FIG 8870-34 SERIES SOLIDS INTERCEPTOR WITH GASKETED RECESSED COVER



Fig. No.	GPM	Inlet & Outlet Size	†ARC Fabricated Steel
8870Y02-34	4	2	POA
8871Y02-34	7	2	POA
8872Y02-34	10	2	POA
8873Y02-34	15	2	POA
8874Y02-34	20	2	POA
8875Y03-34	25	3	POA
8876Y03-34	35	3	POA
8877Y03-34	50	3	POA
8878Y04-34	75	4	POA

Y † No-Hub Inlet/Outlet

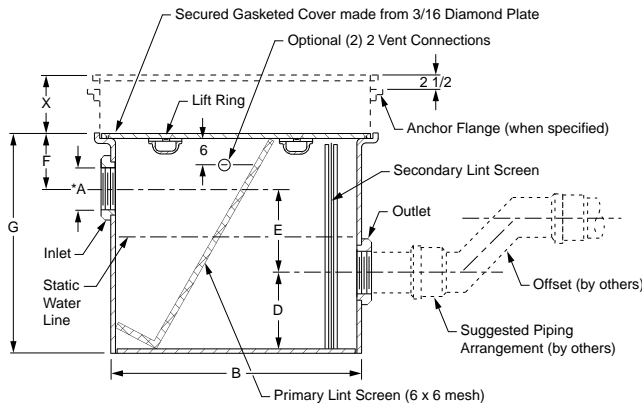
FOR INFORMATION ON POA ITEMS, PLEASE CONTACT YOUR LOCAL JAY R. SMITH REPRESENTATIVE

FIG 8910 SERIES LINT INTERCEPTORS

FUNCTION: Used where discharge water contains large quantities of hair, lint and foreign particles such as in commercial laundry facilities. Cleaning is accomplished by removing the cover and screens.

OPTIONS:

-SS	All Stainless Steel	ADD POA
-VC	2" Vent Connections (2)	419.00



C= Body Width
X= Specify Additional Height Required

FIGURE NO.	GPM FLOW RATE	MAX NO. OF WASHERS	INLET & OUTLET SIZE A*	BODY		ROUGHING DIM				SECURING SCREWS IN COVER	†STEEL DUCO COATED	ADD FOR:				APPROX. WEIGHT LBS.
				B LENGTH	C WIDTH	D	E	F	G			EXT. (-E) UP TO 6"	EXT. PER INCH OVER 6"	ANCHOR FLANGE (-F)	FLANGE AND FLASHING CLAMP (-FC)	
8910-20	20	2	04"	30"	24"	12"	12"	8"	32"	8	6,729.00	1499.00	156.00	680.00	1,427.00	270
8910-25	25	3	04"	36"	24"	12"	12"	8"	32"	8	6,813.00	1499.00	161.00	841.00	1,445.00	318
8910-50	50	5	04"	40"	26"	12"	12"	8"	32"	10	7,934.00	1707.00	175.00	952.00	1,634.00	332
8910-100	100	10	06"	48"	30"	12"	12"	8"	32"	10	10,797.00	2118.00	221.00	984.00	2,011.00	420
8910-150	150	15	06"	51"	32"	24"	12"	8"	44"	10	11,445.00	2336.00	239.00	1,056.00	2,216.00	555
8910-200	200	20	06"	54"	36"	24"	12"	12"	48"	10	13,338.00	2570.00	263.00	1,221.00	2,438.00	696
8910-350	350	35	06"	68"	42"	24"	12"	12"	48"	14	15,221.00	3195.00	327.00	1,235.00	3,015.00	874
8910-500	500	50	06"	84"	54"	36"	12"	12"	60"	18	19,940.00	3847.00	391.00	1,457.00	3,623.00	1,336

*Available with larger inlet and outlet when specified. (Call for pricing)

REGULARLY FURNISHED: Fabricated Steel with Gray Duco Coating and Stainless Steel Primary and Secondary Lint Screens, 3/16" Diamond Plate Cover (Secured & Gasketed) and Threaded Inlet and Outlet.

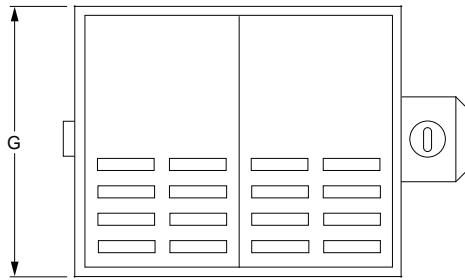


INTERCEPTORS

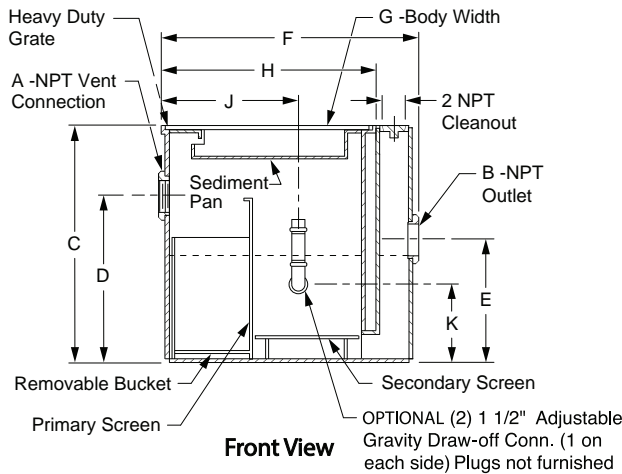
FIG. 8925 SERIES SEDIMENT/OIL INTERCEPTOR



FUNCTION: Used in service stations, parking garages, car and truck washes and industrial plants where discharged water contains oily sediment and sludge. The sediment and sludge are collected in the sediment pan and removable bucket. The oily residue is trapped in the interceptor and can be skimmed off periodically.



TOP VIEW



Front View

OPTIONS:

-OD	Oil Draw-off Assembly	264.00	ADD
-SS	Stainless Steel Body	POA	
-M	Ductile Iron Grate		
	For 8925-12 (Priced for 1 Grate)	454.00	
	For 8925-60 (Priced for 1 Grate)	454.00	
	For 8925-100 (Priced for 2 Grates)	908.00	
	For 8925-200 (Priced for 3 Grates)	1,362.00	

NOTE: Interceptor shall be vented on outlet side per local code requirements. It is the responsibility of the installer to check all parts (internal and external) to verify they are in their proper operating order and location.

INTERCEPTORS

FIGURE NO.	SLUDGE CAP LBS	A VENT SIZE	B OUTLET SIZE	C	D	E	F	G	H	J	K	NO. OF 12" X 24" GRATES	†STEEL DUCO COATED	ADD FOR:				APPROX. WEIGHT LBS.	
														ARC IN AND OUT (-ARIO)	EXT. (-E) UP TO 6"	EXT. PER INCH OVER 6"	ANCHOR FLANGE (-F)		FLANGE AND FLASHING CLAMP (-FC)
8925-12	12	02"	02"	18"	13"	10 1/2"	17 1/2"	12 1/2"	12 1/2"	9"	6"	*1	3,205.00	582.00	889.00	77.00	764.00	824.00	75
8925-60	60	02"	04"	26"	20"	18"	29 1/2"	12 1/2"	24 1/2"	19"	8"	1	9,093.00	704.00	1,193.00	102.00	1,142.00	1,173.00	175
8925-100	100	02"	04"	34"	27"	22"	29 1/2"	24 1/2"	24 1/2"	19"	12"	2	12,949.00	1,113.00	1,844.00	151.00	1,397.00	1,524.00	280
8925-200	200	02"	04"	34"	27"	22"	41 1/2"	24 1/2"	36 1/2"	27"	12"	3	16,004.00	2,343.00	2,732.00	231.00	1,777.00	2,492.00	370

*Grate is 12 x 12"

For Ductile Iron see options above for add on price.

REGULARLY FURNISHED: Fabricated Steel Body with Duco Coating and Sediment Pan w/Stainless Steel Bucket w/Perforated Back, Secondary Screen and Heavy Duty Cast Iron Grating.



INTERCEPTORS

FIG. 8970 SERIES REMEDIATOR® GREASE TREATMENT SYSTEM



FUNCTION: The Smith Remediator® is designed to be installed in the drainage plumbing of commercial and institutional kitchen facilities for the purpose of intercepting, separating, retaining and biologically disposing of grease, oil and other organic and inorganic material, not including human waste, contained in effluent of such facilities.

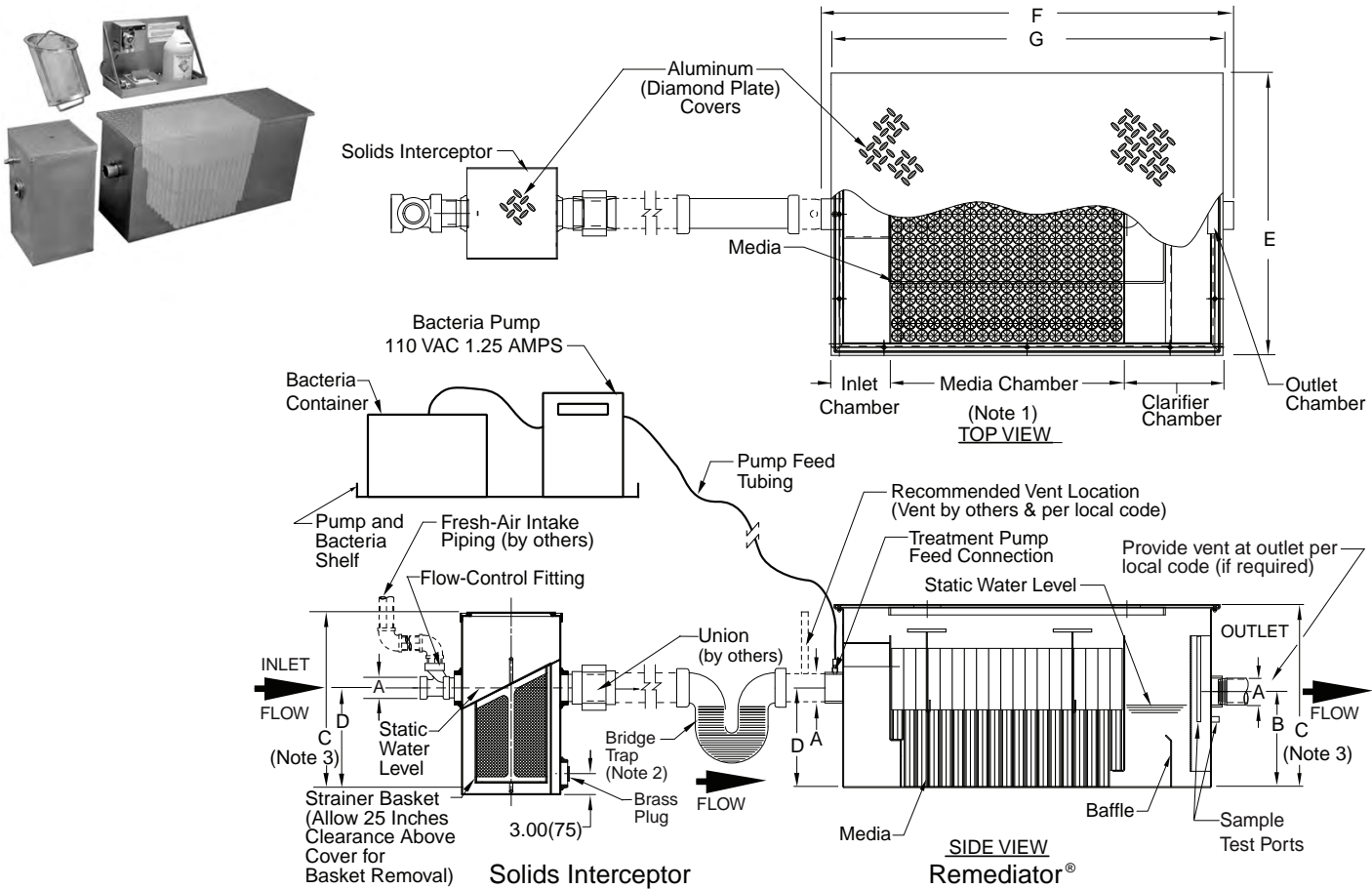


FIGURE NO.	GPM FLOW RATE	INLET & OUTLET SIZE A*	B	C	D	E	F	G	NO. OF SECTIONS PER MEDIA	†STAINLESS STEEL	APPROX. WEIGHT LBS.
▲▲* 8970-20	20	02"	12"	21 5/16"	12 1/2"	14 7/8"	44 1/8"	42 1/8"	1	For Pricing contact your local Jay R. Smith Mfg. Co.® Representative	326
▲▲* 8970-35	35	02"	12"	21 5/16"	12 1/2"	24 7/16"	52 13/64"	49 3/4"	1		370
▲▲* 8970-50	50	03"	12 1/2"	21 5/16"	13"	30 1/2"	52 13/64"	49 3/4"	3		550
▲▲* 8970-75	75	03"	12 1/2"	21 5/16"	13"	35 1/2"	52 13/64"	49 3/4"	3		585

NOTE 1: The 8970-50 and 8970-75 Media is Divided into Multiple Sections - See Chart Above.

NOTE 2: Bridge Trap Only Available in 02" and 03" Sizes. 04" Not Available.

NOTE 3: "C" Dimension can be increased if required up to a maximum of 35".

REGULARLY FURNISHED: Stainless Steel Pretreatment Unit with Media and Biological Treatment Pump with Preset Timer. Stainless Steel Solids Interceptor with Aluminum (Diamond Plate) Cover, Cast Iron Bridge Trap and Cast Iron Flow-Control Fitting.

* P.D.I. Certification to PDI-G101

▲ IAPMO Listed. File No. 3782

△ NES listed PCR GI 101.012

PROTECTED UNDER PATENT NO. 6,916,421

GREASE+GARD®II SKIMMER AND GREASE RECOVERY DEVICE



FIG. 8165, 8166 GREASE+GARD®II (GRD) RECOVERY DEVICE

FUNCTION: Used in all areas where fats, oils and grease must be intercepted and collected. The unique fully automatic grease removal design permits removal of accumulated grease without having to remove the cover. Accumulated grease in liquid form is automatically skimmed off and discharged into a reservoir for convenient disposal.



Fig. No.	Inlet & Outlet Size	†Type 304 (CF8) Stainless Steel	Steel (-A505)	GPM Flow Rate	Grease Capacity Lbs.
8165-20	3	POA	POA	20	40
8165-25	3	POA	POA	25	50
8165-35	3	POA	POA	35	70
8165-50	3	POA	POA	50	100

LOW TYPE GREASE+GARD®II (GRD) RECOVERY DEVICE

8166-20	3	POA	POA	20	40
8166-35	3	POA	POA	35	70
8166-50	3	POA	POA	50	100

Y † No-Hub Inlet/OutletPOA
 T Threaded Inlet/OutletPOA

ADD FOR:
 -B Bucket in lieu of BafflesPOA

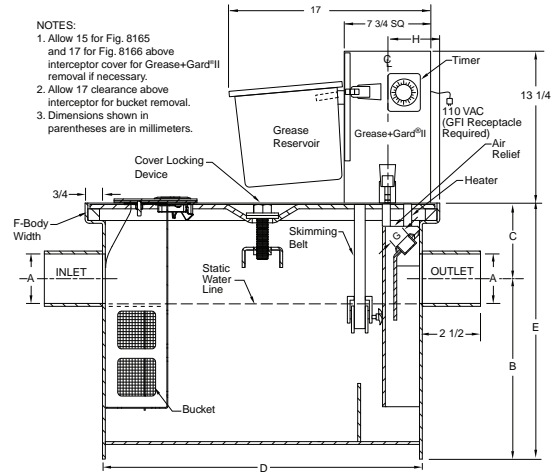


FIG. 8175, 8176 GREASE+GARD®II (GRD) WITH LOW PROFILE SKIMMER

FUNCTION: Used in all areas where fats, oils and grease must be intercepted and collected. The unique fully automatic grease removal design permits removal of accumulated grease without having to remove the cover. Accumulated grease in liquid form is automatically skimmed off and discharged into a reservoir for convenient disposal.



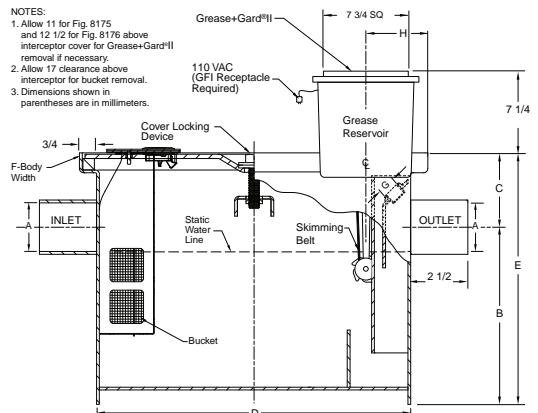
Fig. No.	Inlet & Outlet Size	†Type 304 (CF8) Stainless Steel	Steel (-A505)	GPM Flow Rate	Grease Capacity Lbs.
8175-20	3	POA	POA	20	40
8175-25	3	POA	POA	25	50
8175-35	3	POA	POA	35	70
8175-50	3	POA	POA	50	100

LOW TYPE GREASE+GARD®II (GRD) w/LOW PROFILE SKIMMER

8176-20	3	POA	POA	20	40
8176-35	3	POA	POA	35	70
8176-50	3	POA	POA	50	100

Y † No-Hub Inlet/OutletPOA
 T Threaded Inlet/OutletPOA

ADD FOR:
 -B Bucket in lieu of BafflesPOA



GREASE+GARD® II RETROFIT SKIMMER AND SOLIDS INTERCEPTORS



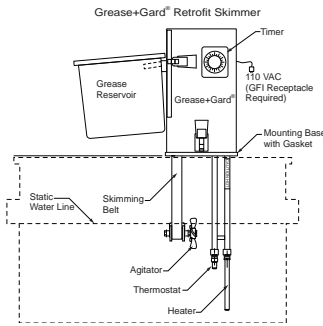
FIG. 8165GG, 8166GG, 8175GG, 8176GG GREASE+GARD® II (GRD) RETROFIT SKIMMERS

FUNCTION: Designed for installation on an existing grease interceptor for the purpose of converting it to an automatic grease removal device (GRD). The unique design of the Grease+Gard II removes grease from the interceptor and discharges it into a reservoir for convenient disposal without having to remove the cover.



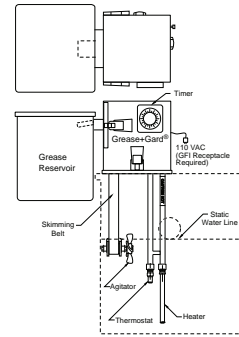
Fig. No.	†Type 304 (CF8) Stainless Steel
8165GG	POA
8166GG	POA
8175GG	POA
8176GG	POA

GREASE+GARD® II RETROFIT SKIMMER



8165GG

GREASE+GARD® II RETROFIT SKIMMER LOW PROFILE TYPE



8175GG

FIG. 8960 GREASE+GARD® (GRD) INDIRECT WASTE SOLIDS INTERCEPTOR

FUNCTION: Open top solids interceptor provides a means of collecting food solids from an indirect waste discharge line before entering the drain line going to a grease interceptor.



Fig. No.	Inlet & Outlet Size	†Type 304 (CF8) Stainless Steel
8960T	2	POA
8960T	3	POA
8960Y	2	POA
8960Y	3	POA

T † Threaded Connections
Y No-Hub Connections

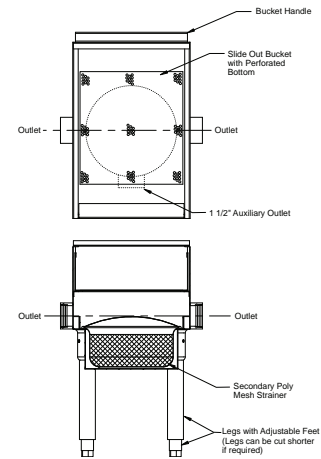


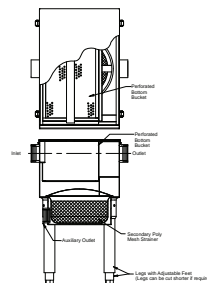
FIG. 8980, 8981 GREASE+GARD® (GRD) INLINE SOLIDS INTERCEPTOR

FUNCTION: Provides a means of collecting food solids before entering the drain line going to a grease interceptor.

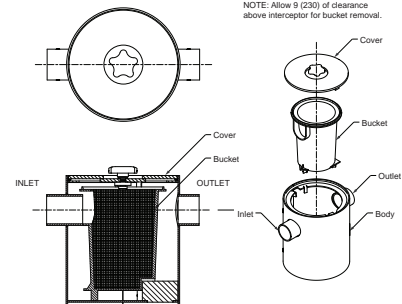


Fig. No.	Inlet & Outlet Size	†Type 304 (CF8) Stainless Steel
8980T	2	POA
8980T	3	POA
8980Y	2	POA
8980Y	3	POA

T † Threaded Inlet/Outlet
Y No-Hub Inlet/Outlet



8980



8981



Fig. No.	Inlet & Outlet Size	† Steel
8981	2	POA

Y † No-Hub Inlet/Outlet

SPECIALTIES, STAINLESS AND CARBON STEEL



SPECIALTIES

ORDERING GUIDELINES

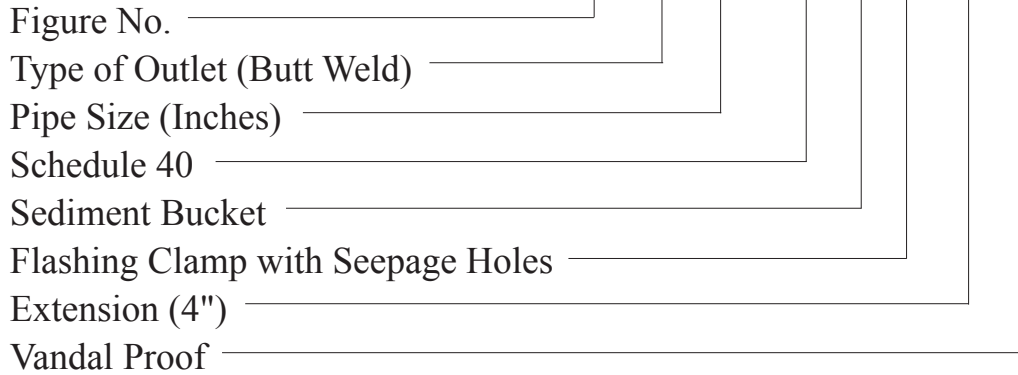


9000 SERIES

After identifying the proper options required to meet the engineering specification, place order as shown below:

Examples:

9710BW04 (-S40-B-C-E04-U)



*All variation suffixes are to be shown in parenthesis.

WHERE A SUPERIOR DRAIN IS REQUIRED

NUCLEAR AND FOSSIL FUEL POWER PLANTS

Stainless steel or carbon steel – as dictated by piping material and performance requirements.

FOOD PROCESSING INDUSTRIES

Where there is exposure to animal or vegetable fats and acids. Ideal for: Mills, slaughter and packing houses, dairies, breweries and citrus juice plants.

WIDELY USED IN — Hospitals, laboratories, chemical plants and many industrial plant applications.

- 9690 series drains are made from drawn 304 stainless steel 14 gauge sheet. 316 material can be supplied (when specified).
- 9700 series drains and cleanouts are regularly furnished in ASTM-A351 (CF8) cast equivalent to type 304 rough finish stainless steel.
- Optional Materials – (only when specified) ASTM (CF8M) equivalent to type 316 stainless steel. Carbon steel (ASTM A-27).
- Three outlet types available: Inside caulk (regularly furnished). Threaded and Butt Weld outlet (when specified).
- Floor drains (except 9713, 9718, 9740, 9745 and 9750) furnished with integral anchor flange.
- Seepage openings on flanged drains are furnished only (when specified) (except 9733 and 9734).
- Flashing clamp – Available with all integral anchor flange drains.
- All grates are regularly furnished loose set. Available vandal proof (when specified).
- Top finish – As cast (rough finish). Satin finished (when specified).

MATERIALS:

304 or CF8 stainless steel resists corrosion and oxidation because of its 18% minimum chromium content. The 8% minimum nickel content establishes this alloy's

metallurgical characteristics and also extends resistance to corrosion caused by reducing chemicals.

304 or CF8 resists all ordinary rusting and is immune to food substances, sterilizing solutions, most of the organic chemicals, dye substances and a wide variety of inorganic chemicals.

316 or CF8M. Offered as optional material (when specified only). Used where a higher degree of corrosion resistance is needed as compared to Type CF8. Type CF8M differs from CF8 by the addition of up to 3% molybdenum. The molybdenum increases the corrosion resistance to withstand attack by many industrial chemicals and solvents. CF8M will also withstand attack by hypochlorite solutions, phosphoric acids, sulphite liquors, and sulfurous acids. Used in industries such as corrosive process chemicals, photographic paper, textiles, bleaches and rubber.

CN7M. Carpenter 20Cb-3 special stainless alloys may have to be specified for very severe corrosion problems. Consult Smith Sales Engineering Department for Recommendation.

MECHANICAL PROPERTIES:

Stainless steel is strong and ductile as compared to plastics and Hi-Sil iron, making it ideal for floor drain and cleanout applications.

Fabricability: May be machined easily and lends itself to fabrication. Ideal for floor drains and cleanouts which have to be welded to stainless steel decks. Stainless steel is the only corrosion resistant material which offers this wide versatility of mechanical properties.

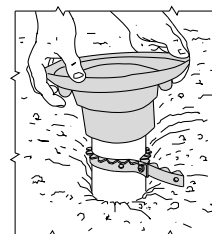
FIG. 9329-CAULK SUPPORT STRAP FOR SUPPORTING 02", 03" & 04" INSIDE CAULK DRAINS & CLEANOUTS

FUNCTION: Unique design enables installer to use the same strap for 02", 03" or 04" extra heavy or service weight soil pipe. The strap supports the body weight and the force created by caulking without slipping. May be left on pipe after drain is caulked in place or removed for re-use.

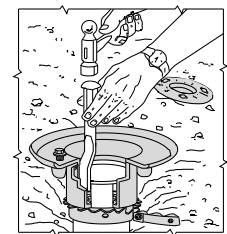
Installation of strap and drain is made fast and simple. Eliminates costly searching for wood and brick supports, wires or purchase of expensive riser clamps.

REGULARLY FURNISHED:

22 Gauge Tempered Steel Strap with Steel Machine Screw, Nut and Washer.



Inside Caulk Body Slips Over Stub and Rests on Support Strap



Drain Does Not Slip During Caulking Operation

SPECIALTIES, STAINLESS AND CARBON STEEL



SPECIALTIES



Fig. 9005



Fig. 9020



Fig. 9110



Fig. 9130

STAINLESS STEEL



Fig. 9140



Fig. 9200



Fig. 9205



Fig. 9690



Fig. 9700A



Fig. 9703



Fig. 9704



Fig. 9705



Fig. 9710



Fig. 9713



Fig. 9715



Fig. 9718



Fig. 9720



Fig. 9725



Fig. 9730



Fig. 9733



Fig. 9734



Fig. 9735



Fig. 9740



Fig. 9745



Fig. 9750



Fig. 9755



Fig. 9759



Fig. 9760



Fig. 9770



Fig. 9775



Fig. 9780



Fig. 9785



Fig. 9790



Fig. 9795

SPECIALTIES

NOTES



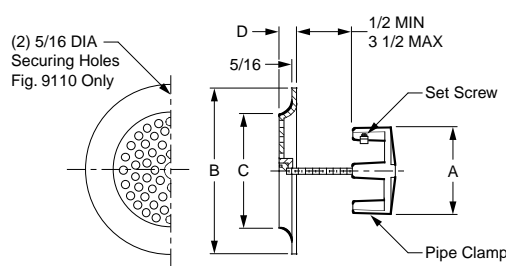
SPECIALTIES, STAINLESS AND CARBON STEEL



FIG 9005 FRESH AIR INLET WITH PIPE CLAMP FIG 9010 FRESH AIR INLET LESS PIPE CLAMP

FUNCTION: Provides a protective cover for the fresh air inlet piping at the exterior wall and allows ample air to enter the system.

DEDUCT



OPTIONS:
Less Pipe Clamp (Specify Fig 9010)
03-10" POA

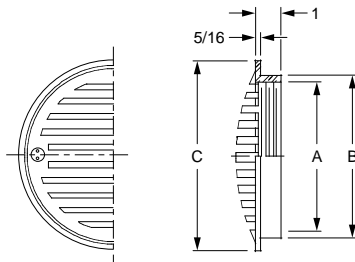
A PIPE SIZE	B DIA	C DIA	D	FREE AREA SQ IN	†POLISHED BRONZE	POLISHED NB	CHROME PLATED	APPROX. WT. LBS.
03, 04"	8"	5 1/4"	3/4"	7"	432.00	446.00	676.00	5
05"	10"	7 3/4"	3/4"	18.26"	535.00	681.00	760.00	7
06"	10"	7 3/4"	3/4"	18.26"	717.00	755.00	985.00	7
08"	14"	11 1/2"	1"	44.88"	1,145.00	1,205.00	1,435.00	13
10"	14"	11 1/2"	1"	44.88"	1,145.00	1,205.00	1,435.00	13

REGULARLY FURNISHED: Polished Bronze with Vandal Proof Screws.

SPECIALTIES

FIG. 9020 FRESH AIR INLET WITH FEMALE THREADED PIPE CONNECTION

FUNCTION: Provides a protective cover for the fresh air inlet piping at the exterior wall and allows ample air to enter the system.



A PIPE SIZE	B DIA	C DIA	FREE AREA SQ IN	†POLISHED BRONZE	POLISHED NB	CHROME PLATED	APPROX. WT. LBS.
04"	4 3/4"	7"	13.60"	590.00	597.00	827.00	4
05"	6"	7"	13.60"	590.00	597.00	827.00	5

REGULARLY FURNISHED: Polished Bronze with Vandal Proof Screws.

Fig. 9020 Meets New York State Specifications

FIG. 9095 SS FLOOR SINK W/FORMIT® DRAIN INSTALLATION DEVICE

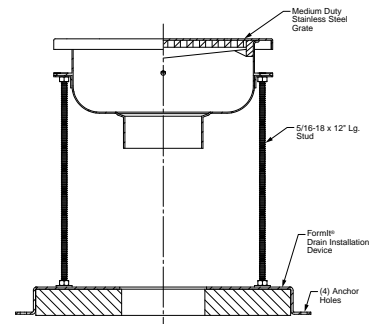
FUNCTION: The Jay R. Smith Mfg. Co.® FormIt® Drain Installation Device is designed to stabilize the drain and provide adjustment during the installation process and allows final connection of outlet piping to drain after the concrete pour.



Sump Depth	Type 304 (CF8) Stainless Steel With Dome Bottom Strainer	Type 304 (CF8) Stainless Steel With Sediment Bucket
4"	POA	POA
6"	POA	POA
8"	POA	POA
10"	POA	POA

Y † No-Hub Outlet

BW	Butt Weld Outlet, Schedule 5.....	POA
	Schedule 10.....	POA
	Schedule 40.....	POA

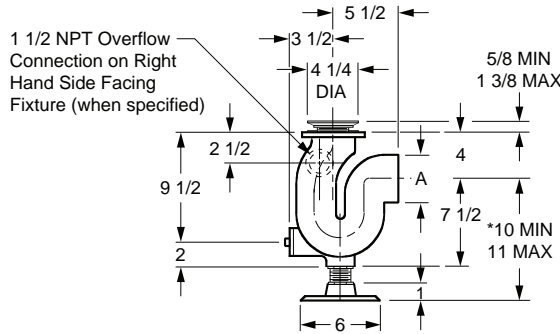


†REGULARLY FURNISHED

SPECIALTIES, STAINLESS AND CARBON STEEL
FIG. 9110, 9120 ADJUSTABLE "P" TRAP STANDARDS-CAST IRON



FUNCTION: For use with all service sinks.



OPTIONS:

- N15 1 1/2" Overflow Connection (9120 Only) POA
- SS For use with Stainless Steel Sink.....N/C

ADD
POA
N/C

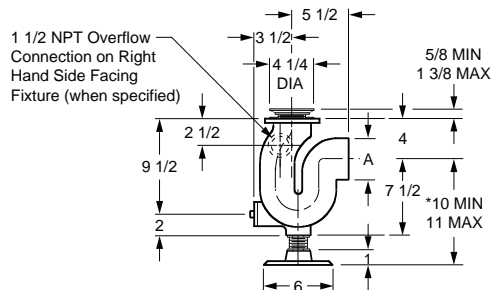
FIGURE NO.	PIPE SIZE	FREE AREA SQ IN	CONNECTION	†ARE INSIDE	ARE INSIDE AND OUTSIDE	APPROX. WT. LBS.
9110	02"	2"	Threaded	POA	POA	16
9120	03"	2"	Threaded	POA	POA	22

REGULARLY FURNISHED: Chrome Plated Strainer, Rubber Gasket and Bronze Cleanout Plug. Cast Iron with White Duco Coated Outside and Acid Resistant Coated Inside.

*Roughing shall be coordinated with sink used.

FIG. 9114 TO 9128 ADJUSTABLE "P" TRAP STANDARDS-ALL BRONZE

FUNCTION: For use with all service sinks.



OPTIONS:

- N15 1 1/2" Overflow Connection (9124 thru 9128 Only) POA
- SS For use with Stainless Steel Sink.....N/C

ADD
POA
N/C

FIGURE NO.	PIPE SIZE	FREE AREA SQ IN	CONNECTION	†ALL BRONZE	APPROX. WT. LBS.
▲9114	02"	2"	Threaded	POA	18
▲9116	02"	2"	Sil-Brazed Outlet	POA	18
9118	02"	2"	Sil-Brazed Grooved	POA	18
9124	03"	2"	Threaded	POA	20
9126	03"	2"	Sil-Brazed Outlet	POA	20
9128	03"	2"	Sil-Brazed Grooved	POA	40

REGULARLY FURNISHED: Chrome Plated Strainer, Rubber Gasket and Bronze Cleanout Plug. Bronze Trap as Cast.

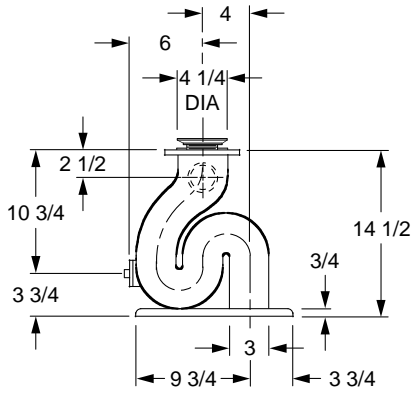
*Roughing shall be coordinated with sink used.

▲Conforms to Military Specification MIL S-2143-B Amendment 1

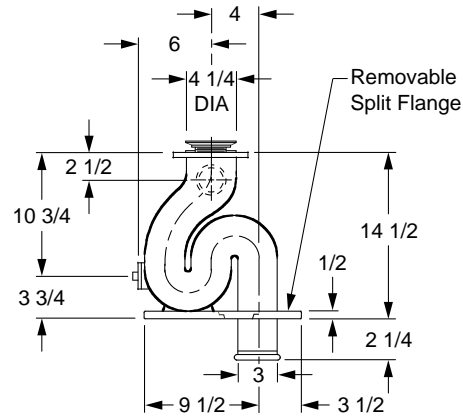
SPECIALTIES, STAINLESS AND CARBON STEEL
FIG. 9130, 9134, 9140 "S" TRAP STANDARDS-CAST IRON-BRONZE



FUNCTION: For use with all service sinks.



9130



9140

FIGURE NO.	PIPE SIZE	FREE AREA SQ IN	CONNECTION	†ARE INSIDE	ARE INSIDE AND OUTSIDE	ALL BRONZE	APPROX. WT. LBS.
9130	03"	2"	Soil	POA	POA	POA	34
*9134	03"	2"	Soil	-	-	POA	40
9140	03"	2"	Soil	POA	POA	POA	35

OPTIONS:

- N15 1 1/2" Overflow Connection (9130, 9140 Only) POA
- SS For use with Stainless Steel Sink.....N/C

ADD

REGULARLY FURNISHED: All Traps with Chrome Plated Strainer, Rubber Gasket and Bronze Cleanout Plug. Cast Iron Traps are White Duco Coated Outside and Acid Resistant Coated Inside. All Bronze Traps are as Cast.

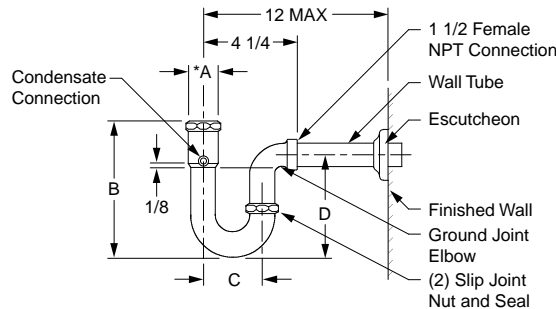
*All Bronze

▲ Conforms to Military Specification MIL S-2143-B Amendment 1.

SPECIALTIES

FIG. 9200 CONDENSATE DRAIN LINE TRAP

FUNCTION: For the collection of condensate from refrigeration or air conditioning equipment. The condensate drains, by gravity, through piping to the tapped inlet on the fixture side of the 9200 trap.



Inlet Outlet Size *A	B	C	D	†17 Gauge Chrome Plated Satin Bronze	17 Gauge Chrome Plated Polished Bronze (-CP)	Approx. Wt. Lbs.
0125 or 0150"	6"	2 7/8"	5"	POA	POA	4

REGULARLY FURNISHED: Satin Chrome Plated Cast Bronze P-Trap with Ground Joint Outlet, Threaded Wall Tube, Slip Joint Nuts, Washer, Escutcheon and 1/2" NPT Condensate Connection.

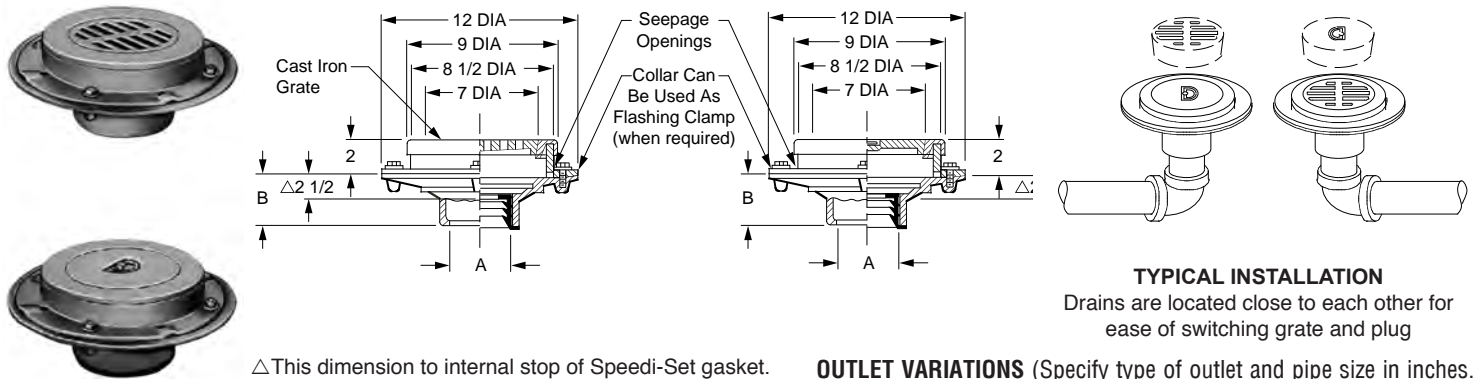
*1 1/4" and 1 1/2" slip joint nuts are provided to accommodate the appropriate fixture tailpiece. Ground joint elbow is threaded 1 1/2" NPT.

SPECIALTIES, STAINLESS AND CARBON STEEL

FIG. 9205 DECONTAMINATION FLOOR DRAINS



FUNCTION: Used in areas where hazardous or otherwise contaminated waste is present. Consists of two individual drains. Slotted grate drain permits drainage of contaminated waste to a separate storage tank, while the adjacent drain connected to the sewer is covered by a solid ground joint plug, thus preventing contaminated waste from entering the sewer system. Switching the solid cover and grate will allow washed down decontaminated waste to be directed to the sewer without entering the contaminated waste storage tank.



△ This dimension to internal stop of Speedi-Set gasket.

OUTLET VARIATIONS (Specify type of outlet and pipe size in inches.)

A OUTLET SIZE	TOP SIZE DIA	FREE AREA SQ IN	DUCO CI PB TOP	DUCO CI NB TOP	APPROX. WT. LBS.
02, 03, 04"	9"	10.30	POA	POA	50

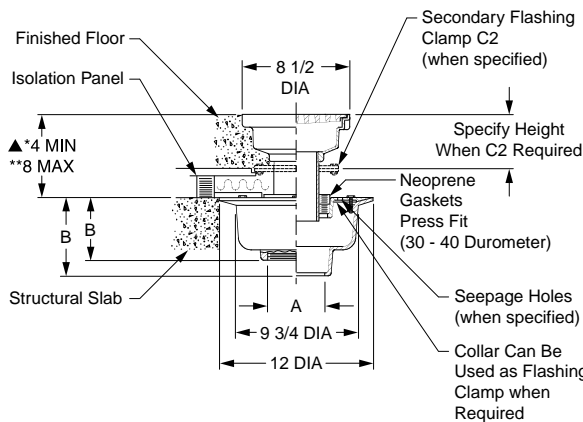
REGULARLY FURNISHED: Two (2) Duco Cast Iron Bodies with Flashing Collar and Bronze Rim. Cast Iron Grate and Ground Joint Plug.

Outlet Type	Outlet Designation Outlet Type/Pipe Size	"B" Body HT. DIM.	ADD
Inside Caulk	C02, C03, C04	3 3/4"	N/C
Speedi-Set Outlet SW	L02, L03, L04	3 3/4"	N/C
Speedi-Set Outlet XH	LXH02, LXH03, LXH04	3 3/4"	N/C
Threaded	T02, T03, T04	2"	POA
No-Hub	Y02, Y03, Y04	3 3/4"	N/C

OPTIONS:	ADD
-ARC Acid Resistant Coated	POA
-FBSCI Flat Bottom Str. CI, (ea)	POA
-G Galvanized CI	POA
-M Ductile Iron Grate and Plug	POA
-RB Bronze Grate and Plug	POA

FIG. 9340 DRAIN FOR FLOATING (ISOLATED) FLOOR SYSTEMS

FUNCTION: Used in areas which may have to be isolated from the other parts of the building; such as mechanical equipment rooms, studios, music rooms, laboratories and data processing areas.



OUTLET VARIATIONS (Specify type of outlet and pipe size in inches.)

A OUTLET SIZE	TOP SIZE DIA	FREE AREA SQ IN	DUCO CI PB TOP	DUCO CI NB TOP	APPROX. WT. LBS.
02, 03, 04"	8 1/2"	14.25	POA	POA	90

REGULARLY FURNISHED: Duco Cast Iron Lower Body and Flashing Collar, Adjustable Nipple, Upper Body, Grate and Neoprene Isolation Gaskets.

Outlet Type	Outlet Designation Outlet Type/Pipe Size	"B" Body HT. DIM.	ADD
Inside Caulk	C02, C03, C04	6"	N/C
Speedi-Set Outlet SW	L02, L03, L04	6"	N/C
Speedi-Set Outlet XH	LXH02, LXH03, LXH04	6"	N/C
Threaded	T02, T03, T04	4 3/4"	POA
No-Hub	Y02, Y03, Y04	6"	N/C

OPTIONS:	ADD
-C Underdeck Clamp	POA
-G Galvanized CI	POA
-R Sump Receiver Plate	POA
-U Vandal Proof Screws	POA
-W With Seepage Holes	POA

*Add 1/4" for Nickel Bronze or Polished Bronze Top.

**If greater dimension than shown from lower flange to top is required specify a longer nipple.

▲ Nipple may require cutting to achieve minimum dimension.

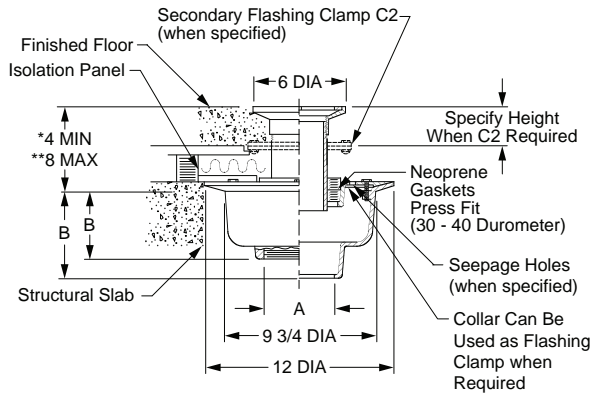


SPECIALTIES, STAINLESS AND CARBON STEEL

FIG. 9345 DRAIN FOR FLOATING (ISOLATED) FLOOR SYSTEMS



FUNCTION: Used in areas which may have to be isolated from the other parts of the building; such as mechanical equipment rooms, studios, music rooms, laboratories and data processing areas.



OUTLET VARIATIONS (Specify type of outlet and pipe size in inches.)

Outlet Type	Outlet Designation	Outlet Type/Pipe Size	"B" Body HT. DIM.	ADD
Inside Caulk	C02, C03, C04		6"	N/C
Speedi-Set Outlet SW	L02, L03, L04		6"	N/C
Speedi-Set Outlet XH	LXH02, LXH03, LXH04		6"	N/C
Threaded	T02, T03, T04		4 3/4"	POA
No-Hub	Y02, Y03, Y04		6"	N/C

OPTIONS:

Option	Description	ADD
-C	Underdeck Clamp	POA
-G	Galvanized Cl	POA
-R	Sump Receiver Plate	POA
-W	With Seepage Holes	POA

A OUTLET SIZE	TOP SIZE	FREE AREA SQ IN	†DUCO CI PB TOP	DUCO CI NB TOP	APPROX. WT. LBS.
02, 03, 04"	8 1/2"	7	POA	POA	90

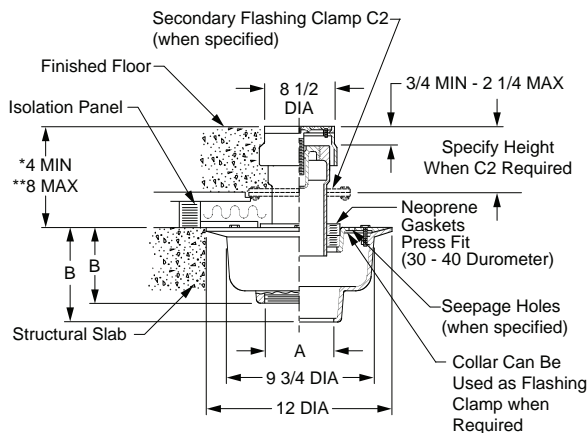
REGULARLY FURNISHED: Duco Cast Iron Lower Body and Flashing Collar, Duco Cast Iron Top Drain Body with Polished Bronze Top and Neoprene Isolation Gasket.

**If greater dimension than shown from lower flange to top is required specify a longer nipple.

SPECIALTIES

FIG. 9350 SERIES CLEANOUT FOR FLOATING (ISOLATED) FLOOR SYSTEMS

FUNCTION: Used in areas which may have to be isolated from the other parts of the building; such as mechanical equipment rooms, studios, music rooms, laboratories and data processing areas.



OUTLET VARIATIONS (Specify type of outlet and pipe size in inches.)

Outlet Type	Outlet Designation	Outlet Type/Pipe Size	"B" Body HT. DIM.	ADD
Inside Caulk	C02, C03, C04		6"	N/C
Speedi-Set Outlet SW	L02, L03, L04		6"	N/C
Speedi-Set Outlet XH	LXH02, LXH03, LXH04		6"	N/C
Threaded	T02, T03, T04		4 3/4"	POA
No-Hub	Y02, Y03, Y04		6"	N/C

OPTIONS:

Option	Description	ADD
-C2	Secondary Flashing Clamp	POA
-G	Galvanized Cl	POA
-QC	Round Top Recessed f/Terrazzo (Fig 9354)	POA
-S	With Square Top (Fig 9351)	N/C
-S-QC	Square Top Recessed f/Terrazzo (Fig 9355)	POA
-S-TC	Square Top Recessed f/Tile (Fig 9353)	N/C
-TC	Round Top Recessed f/Tile (Fig 9352)	N/C
-W	With Seepage Holes	POA

A OUTLET SIZE	†DUCO CI PB TOP	DUCO CI NB TOP	APPROX. WT. LBS.
02, 03, 04"	POA	POA	90

REGULARLY FURNISHED: Duco Cast Iron Lower Body and Flashing Collar, Duco Cast Iron Adjustable Ferrule and Frame with Polished Bronze Top, Bronze Cleanout Plug in Ferrule and Neoprene Isolation Gasket.

**If greater dimension than shown from lower flange to top is required specify a longer nipple.



SPECIALTIES, STAINLESS AND CARBON STEEL

FIG. 9690 SERIES 14 GAGE STAINLESS STEEL FLOOR, AREA & INDIRECT WASTE DRAINS W/12" SQUARE TOP



FUNCTION: Used in nuclear and fossil fuel power stations, chemical plants, laboratories and other areas where the corrosion resistance of type 304 stainless steel is satisfactory for the intended service. Also used in other locations such as breweries, dairies, creameries and similar processing plants where superior corrosion resistance, durability and longevity are required. Excellent for use in restaurants, schools and all types of food handling areas for ultimate sanitation.

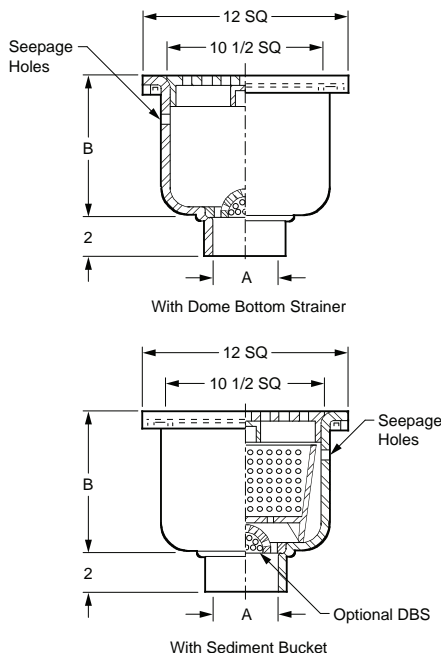


FIG. NO. w/DOME STRAINER	A OUTLET SIZE	B SUMP DEPTH	TOP SIZE	†LESS FLANGE	WITH FLANGE	APPROX. WEIGHT LBS
9691	02", 03", 04"	4"	12" SQ	POA	POA	14
9692	02", 03", 04"	6"	12" SQ	POA	POA	17
9693	02", 03", 04"	8"	12" SQ	POA	POA	20
9694	02", 03", 04"	10"	12" SQ	POA	POA	23
FIG. NO. SEDIMENT BUCKET	A OUTLET SIZE	B SUMP DEPTH	TOP SIZE	†LESS FLANGE	WITH FLANGE	APPROX. WEIGHT LBS
9696	02", 03", 04"	4"	12" SQ	POA	POA	16
9697	02", 03", 04"	6"	12" SQ	POA	POA	19
9698	02", 03", 04"	8"	12" SQ	POA	POA	22
9699	02", 03", 04"	10"	12" SQ	POA	POA	25

REGULARLY FURNISHED:

14 Gage Type 304 SS Receptor Body with Seepage Control Holes, Cast Type 316 SS Ribbed Non-Tilt Loose Set Grate with 1/2" Square Holes. Perforated SS Dome Bottom Strainer or Sediment Bucket as Indicated by Figure Number.

OUTLET VARIATIONS (Specify type of outlet and pipe size in inches.)

Outlet Type	Outlet Designation Outlet Type/Pipe Size	ADD
Butt Weld	BW02, BW03, BW04 Sched. -5	POA
	BW02, BW03, BW04 Sched. -10	POA
	BW02, BW03, BW04 Sched. -40	POA
Threaded.....	T02, T03, T04 Male or Female	POA
No-Hub	Y02, Y03, Y04	N/C

OPTIONS:

Options	ADD
-C Flashing Clamp (Type 304)	POA
-LSH Less Seepage Control Holes	POA
-P Trap Primer Connection.....	POA
-U Vandal Proof Grate	POA
-316 Type 316 Stainless Steel Bodies and Grates	POA

Models with Buckets:

-BS With Type 304 SS Mesh lined Bucket	POA
-DBS With Type 304 SS Dome Bottom Strainer.....	POA
-SBP With Type 304 SS Solid Bottom Ported Bucket	POA

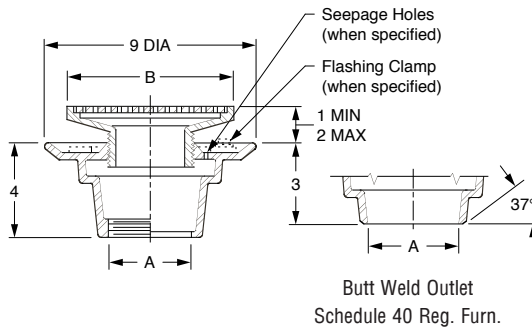
OPTIONAL TOP GRATES FOR SPECIALIZED AND INDIRECT WASTE APPLICATIONS THE FOLLOWING ARE TYPE 304 (CF8) TYPE 316 (CF8M) GRATES ARE POA

Options	DEDUCT
-10 Less Stainless Steel Grate	POA
-12 With Type 304 SS 1/2" Grate	POA
-13 With Type 304 SS 3/4" Grate	POA
-14 With Type 304 SS Grate with 2 1/2" SQ Center Hole	POA
-15 With Type 304 SS Recessed Grate with Bar Handle	POA
-21 With Type 304 SS Grate with 4" DIA Type 304 SS Funnel	POA
-22 With Type 304 SS Grate with 6" DIA Type 304 SS Funnel	POA
-25 With Type 304 SS Grate with 8 1/4 x 3 1/4 x 4 1/2" High Oval Type 304 SS Funnel.....	POA
-41 With Type 304 SS Solid Cover	POA
-42 With Type 304 SS 1/2" Solid Cover	POA
-43 With Type 304 SS 3/4" Solid Cover	POA
-44 With Type 304 SS Solid Cover with 2 1/2" SQ Center Hole.....	POA
-61 With Type 304 SS Heelproof Ribbed Loose-set Non-tilt Grate with 1/4" Square Holes	POA
-62 With Type 304 SS Medium Duty Ribbed Loose-set Non-tilt Grate with 1/2" Square Holes	POA
-63 With Type 304 SS Medium Duty Ribbed Loose-set Non-tilt Grate with 1/4" Square Holes	POA
-64 With Type 304 SS Heavy Duty Ribbed Loose-set Non-tilt Grate with 1/2" Square Holes	POA
-66 With Type 304 SS Extra Heavy Duty Ribbed Loose-set Non-tilt Grate with 1/2" Square Holes	POA
-68 With Type 304 SS Extra Heavy Duty Ribbed Loose-set Non-tilt Grate with 3/4" Square Holes	POA
-69 With 1" Thick Underbolted NB Rim and Extra Heavy Duty Cast Type 304 SS Secured Grate.....	POA

SPECIALTIES, STAINLESS AND CARBON STEEL

FIG. 9700 CAST SS BODY W/ ADJUSTABLE STRAINER HEAD AND SATIN FINISH CAST SS GRATE

FUNCTION: General service floor drain for use in finished areas where foot traffic is expected, and where a corrosion resistant drain is required.



OUTLET VARIATIONS (Specify type of outlet and pipe size in inches.)

Outlet Type	Outlet Designation Outlet Type/Pipe Size	ADD
Butt Weld	BW02, BW03, BW04 Specify Schedule 5, 10, 40, or 80	POA
Inside Caulk	C02, C03	POA
Threaded	T02, T03, T04	POA

OPTIONS:	ADD
-B Stainless Steel Sediment Bucket (Type 304)	POA
-C Flashing Clamp with Seepage Openings (Type 304)	POA
-P Trap Primer Connection	POA
-SC Solid Cover (Type 304)	POA
-U Vandal Proof Grate	POA
-WSH With Seepage Holes	POA

A OUTLET SIZE	B STRAINER SIZE	FREE AREA SQ IN	†CF8 (304) STAINLESS STEEL	CF8M (316) STAINLESS STEEL	-A27 CARBON STEEL	APPROX. WT. LBS.
02, 03, 04"	†07" Dia	12.5	POA	POA	POA	15
02, 03, 04"	06 x 06" SQ	12.5	POA	POA	POA	15

REGULARLY FURNISHED: CF8 (Equivalent to Type 304)
Rough Finish Stainless Steel Body and Round Adjustable Strainer Head with Satin Finished Top.

SPECIALTIES

FIG. 9703, 9704 ROUGH FINISH STAINLESS STEEL FUNNELS

FUNCTION: Used to receive waste water from indirect waste lines. Funnel are attached to the grate with concealed bolts permitting funnel to be moved to different positions on the grate.

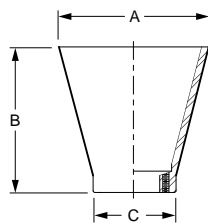


Fig. 9703

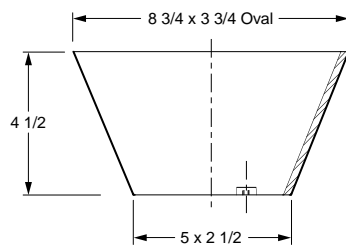


Fig. 9704

OPTIONS:	ADD
-NB Nickel Bronze	See Fig 3580
-SF Satin Finish	POA

FIGURE NO.	A TOP SIZE DIA	B	C	†CF8 (304) SS	CF8M (316) SS	-A27 CARBON STEEL	APPROX. WT LBS.
9703	4"	4 1/4	2 1/2	POA	POA	POA	3
9703-6	6"	4 1/2	2 1/2	POA	POA	POA	4

FIGURE NO.	TOP SIZE	†CF8 (304) SS	CF8M (316) SS	-A27 CARBON STEEL	APPROX. WT LBS.
9704	8 3/4 x 3 3/4"	POA	POA	POA	4

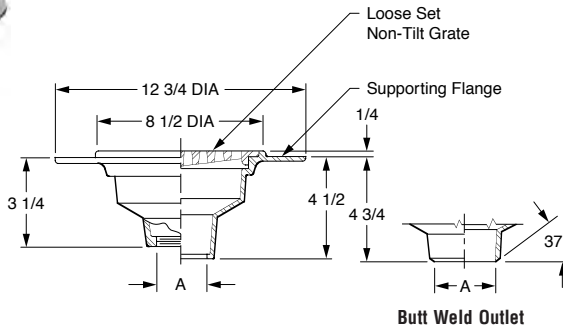
REGULARLY FURNISHED: CF8 (Equivalent to Type 304) Rough Finish Stainless Steel with Stainless Steel Bolts and Washers

SPECIALTIES, STAINLESS AND CARBON STEEL



FIG. 9705 FLOOR DRAIN W/8 1/2" ROUND MEDIUM DUTY TOP W/EXTENDED INTEGRAL FLANGE FOR WELDING TO STEEL DECKS

FUNCTION: Used in areas where drain body is welded to deck or where waterproof traffic floor coverings are applied and where a corrosion resistant drain is required.



OUTLET VARIATIONS (Specify type of outlet and pipe size in inches.)

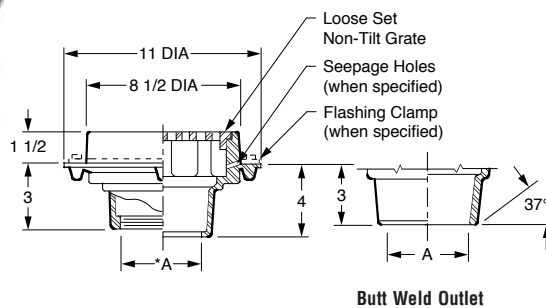
Outlet Type	Outlet Designation Type/Pipe Size	ADD
Butt Weld	BW02, BW03, BW04 Specify Schedule 5, 10, †40, or 80	POA
Inside Caulk	C02, C03, C04	POA
Threaded	T02, T03, T04	POA
OPTIONS:		ADD
-B	Stainless Steel Sediment Bucket (Type 304)	POA
-SC	Solid Scoriated Cover	POA
-SF	Satin Finish	POA
-U	Vandal Proof Screws	POA
		DEDUCT
-CIG	Cast Iron Grate	POA
-RB	Rough Bronze Grate	POA
-RNB	Rough NB Grate	POA

A OUTLET SIZE	FREE AREA SQ IN	†-CF8 (304) STAINLESS STEEL	-CF8M (316) STAINLESS STEEL	-A27 CARBON STEEL	APPROX. WT. LBS
02, 03, 04"	20.50	POA	POA	POA	21

REGULARLY FURNISHED: CF8 (Equivalent to Type 304) Rough Finish Stainless Steel Body and Loose Set Non-Tilt Grate.

FIG. 9710 FLOOR DRAIN WITH 8 1/2" ROUND MEDIUM DUTY TOP

FUNCTION: Used in floors where corrosive liquids must drain or be discharged. Solid top variation with closure plug allows placement of drains for future use. The advantage of stainless steel over high silicon iron is that it resists corrosive liquids, and accommodates machining for threaded outlets, secured top and/or flashing clamps. These drains are readily adaptable to most types of drain line piping materials. Type 304 stainless steel will handle a variety of corrosive wastes which are found in laboratories, chemical, atomic energy, photographic processing, dairy, breweries and bottling plants.



OUTLET VARIATIONS (Specify type of outlet and pipe size in inches.)

Outlet Type	Outlet Designation Type/Pipe Size	ADD
Butt Weld	BW02, BW03, BW04 Specify Schedule 5, 10, †40, or 80	POA
Inside Caulk	C02, C03, C04	POA
Threaded	T02, T03, T04	POA
OPTIONS:		ADD
		ALL IN TYPE 304
-B	Sediment Bucket	POA
-C	Flashing Clamp	POA
-E04	4" Extension	POA
-FBS	Flat Bottom Strainer	POA
-SC	Solid Scoriated Cover	POA
-SF	Satin Finish Top	POA
-TP	3/4" Test Plug (for Closure Plug)	POA
-U	Vandal Proof Screws	POA
-W	Seepage Holes	POA
-XP	Closure Plug & Gasket	
	Plastic (XPP)	POA
	Type 304SS (XPSS)	POA
		DEDUCT
-CIG	Cast Iron Grate	POA
-RB	Rough Bronze Grate	POA
-RNB	Rough NB Grate	POA

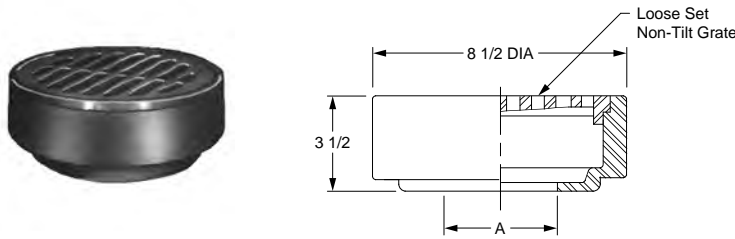
A OUTLET SIZE	FREE AREA SQ IN	†-CF8 (304) STAINLESS STEEL	-CF8M (316) STAINLESS STEEL	-A27 CARBON STEEL	APPROX. WT. LBS
02, 03, 04"	20.50	POA	POA	POA	21

REGULARLY FURNISHED: CF8 (Equivalent to Type 304) Rough Finish Stainless Steel Body, and Loose Set Non-Tilt Grate.

SPECIALTIES, STAINLESS AND CARBON STEEL

FIG. 9713 SHALLOW BODY FLOOR DRAIN WITH 8 1/2" ROUND MEDIUM DUTY TOP

FUNCTION: Used in moderate traffic areas where waste water contains no sediment or debris. Used where a shallow body is required.



A OUTLET SIZE	FREE AREA SQ IN	†-CF8 (304) STAINLESS STEEL	-CF8M (316) STAINLESS STEEL	-A27 CARBON STEEL	APPROX. WT. LBS
02, 03, 04"	20.50	POA	POA	POA	21

REGULARLY FURNISHED: CF8 (Equivalent to Type 304) Rough Finish Stainless Steel Body and Loose Set Non-Tilt Grate.

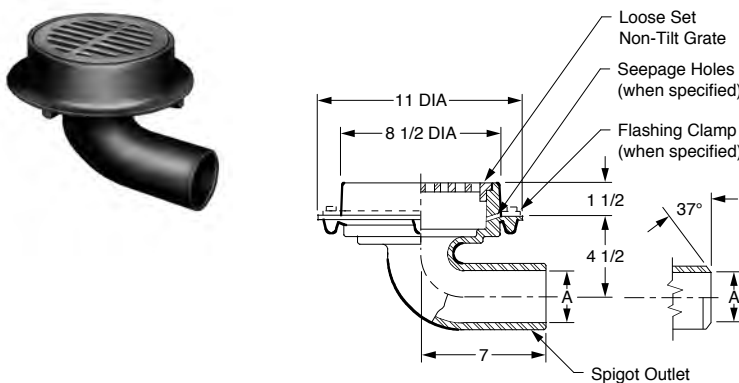
OUTLET VARIATIONS (Specify type of outlet and pipe size in inches.)

Outlet Type	Outlet Designation Outlet Type/Pipe Size	ADD
Butt Weld	BW02, BW03, BW04 Specify Schedule 5, 10, †40, or 80	POA
Inside Caulk	C02, C03, C04	POA
OPTIONS:		ADD
		ALL IN TYPE 304
-B	Sediment Bucket	POA
-FBS	Flat Bottom Strainer	POA
-E04	4" Extension	POA
-SF	Satin Finish Top	POA
-TP	3/4" Test Plug (for Closure Plug)	POA
-U	Vandal Proof Screws	POA
-XP	Closure Plug & Gasket Plastic (XPP) Type 304 SS (XPSS)	POA POA
		DEDUCT
-CIG	Cast Iron Grate	POA
-RNB	Rough NB Grate	POA
-RB	Rough Bronze Grate	POA

SPECIALTIES

FIG. 9715 FLOOR DRAIN WITH 8 1/2" ROUND MEDIUM DUTY TOP WITH 90° ELBOW

FUNCTION: Used in floors where corrosive liquids must drain or be discharged. Solid top variation with closure plug allows placement of drains for future use. The advantage of stainless steel over high silicon iron is that it resists corrosive liquids, and accommodates machining for threaded outlets, secured top and/or flashing clamps. These drains are readily adaptable to most types of drain line piping materials. Type 304 stainless steel will handle a variety of corrosive wastes which are found in laboratories, chemical, atomic energy, photographic processing, dairy, breweries and bottling plants.



A OUTLET SIZE	FREE AREA SQ IN	†-CF8 (304) STAINLESS STEEL	-CF8M (316) STAINLESS STEEL	-A27 CARBON STEEL	APPROX. WT. LBS
02, 03, 04"	20.50	POA	POA	POA	21

REGULARLY FURNISHED: CF8 (Equivalent to Type 304) Rough Finish Stainless Steel Body, and Loose Set Non-Tilt Grate.

OUTLET VARIATIONS (Specify type of outlet and pipe size in inches.)

Outlet Type	Outlet Designation Outlet Type/Pipe Size	ADD
Butt Weld	BW02, BW03, BW04 Specify Schedule 5, 10, †40, or 80	POA
Spigot	S02, S03, S04	POA
OPTIONS:		ADD
		ALL IN TYPE 304
-B	Sediment Bucket	POA
-C	Flashing Clamp	POA
-E04	4" Extension	POA
-SC	Solid Scoriated Cover	POA
-SF	Satin Finish Top	POA
-TP	3/4" Test Plug (for Closure Plug)	POA
-U	Vandal Proof Screws	POA
-W	Seepage Holes	POA
-XP	Closure Plug & Gasket Plastic (XPP) Type 304 SS (XPSS)	POA POA
		DEDUCT
-CIG	Cast Iron Grate	POA
-RNB	Rough NB Grate	POA
-RB	Rough Bronze Grate	POA

FOR INFORMATION ON POA ITEMS, PLEASE CONTACT YOUR LOCAL JAY R. SMITH REPRESENTATIVE

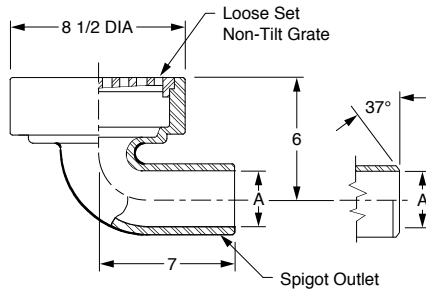


SPECIALTIES, STAINLESS AND CARBON STEEL

FIG. 9718 FLOOR DRAIN WITH 8 1/2" ROUND MEDIUM DUTY TOP WITH 90° ELBOW



FUNCTION: Used in moderate traffic areas where waste water contains no sediment or debris.



OUTLET VARIATIONS (Specify type of outlet and pipe size in inches.)

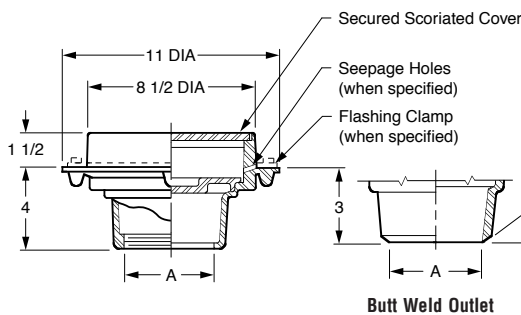
Outlet Type	Outlet Designation	Outlet Type/Pipe Size	ADD
Butt Weld	BW02, BW03, BW04	Specify Schedule 5, 10, †40, or 80	POA
Inside Caulk	C02, C03, C04		POA
Spigot	S02, S03, S04		POA
OPTIONS:			
-B	Sediment Bucket (Type 304)		POA
-E04	4" Extension (Type 304)		POA
-SF	Satin Finish Top		POA
-TP	3/4" Test Plug (for Closure Plug)		POA
-U	Vandal Proof Screws		POA
-XP	Closure Plug and Gasket		POA
	Plastic (XPP)		POA
	Type 304 SS (XPSS)		POA
DEDUCT			
-CIG	Cast Iron Grate		POA
-RNB	Rough NB Grate		POA
-RB	Rough Bronze Grate		POA

A OUTLET SIZE	FREE AREA SQ IN	†-CF8 (304) STAINLESS STEEL	-CF8M (316) STAINLESS STEEL	-A27 CARBON STEEL	APPROX. WT. LBS
02, 03, 04"	20.50	POA	POA	POA	30

REGULARLY FURNISHED: CF8 (Equivalent to Type 304) Rough Finish Stainless Steel Body and Loose Set Non-Tilt Grate.

FIG. 9720 FLOOR DRAIN W/8 1/2" ROUND TOP, SOLID SCORIATED COVER AND CLOSURE PLUG

FUNCTION: Used in floors and areas where a solid cover is required. Closure plug prevents sewer gases from entering the building through the drain.



OUTLET VARIATIONS (Specify type of outlet and pipe size in inches.)

Outlet Type	Outlet Designation	Outlet Type/Pipe Size	ADD
Butt Weld	BW02, BW03, BW04	Specify Schedule 5, 10, †40, or 80	POA
Inside Caulk	C02, C03, C04		POA
Threaded	T02, T03, T04		POA
OPTIONS:			
-C	Flashing Clamp (Type 304)		POA
-E04	4" Extension (Type 304)		POA
-SF	Satin Finish Top		POA
-TP	3/4" Test Plug		POA
-U	Vandal Proof Cover		POA
-W	Seepage Holes		POA
DEDUCT FROM CF8 ONLY FOR:			
-XPP	Plastic Closure Plug		POA

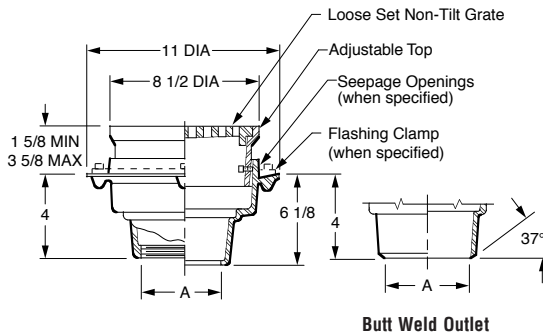
A OUTLET SIZE	†-CF8 (304) STAINLESS STEEL	-CF8M (316) STAINLESS STEEL	-A27 CARBON STEEL	APPROX. WT. LBS
02, 03, 04"	POA	POA	POA	23

REGULARLY FURNISHED: CF8 (Equivalent to Type 304) Rough Finish Stainless Steel Body, Secured Scoriated Cover and Stainless Steel Closure Plug with Gasket.

SPECIALTIES, STAINLESS AND CARBON STEEL
FIG. 9725 FLOOR DRAIN WITH 8 1/2" ROUND ADJUSTABLE TOP



FUNCTION: Used in moderate traffic areas where an adjustable top permits accurate positioning of grate to meet finished floor levels.



OUTLET VARIATIONS (Specify type of outlet and pipe size in inches.)

Outlet Type	Outlet Designation Outlet Type/Pipe Size	ADD
Butt Weld	BW02, BW03, BW04 Specify Schedule 5, 10, †40, or 80	POA
Inside Caulk	C02, C03, C04	POA
Threaded	T02, T03, T04	POA

OPTIONS:

Option	Description	ADD
-B	Sediment Bucket (Type 304)	POA
-C	Flashing Clamp (Type 304)	POA
-E04	4" Extension (Type 304)	POA
-FBS	Flat Bottom Strainer (304)	POA
-SC	Solid Scor Cover (Type 304)	POA
-SF	Satin Finish Top	POA
-TP	3/4" Test Plug (for Closure Plug)	POA
-U	Vandal Proof Grate	POA
-W	Seepage Holes	POA
-XP	Closure Plug and Gasket	
	Plastic (XPP)	POA
	Type 304SS (XPSS)	POA

DEDUCT

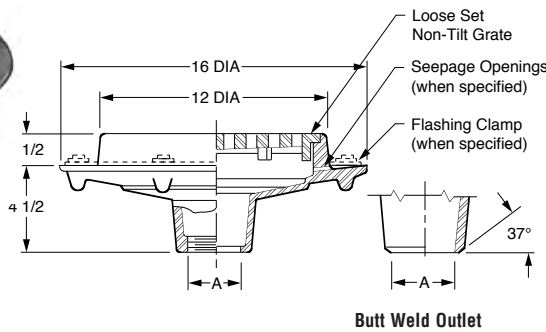
-CIG	Cast Iron Grate	POA
-RNB	Rough NB Grate	POA
-RB	Rough Bronze Grate	POA

A OUTLET SIZE	FREE AREA SQ IN	†-CF8 (304) STAINLESS STEEL	-CF8M (316) STAINLESS STEEL	-A27 CARBON STEEL	APPROX. WT. LBS
02, 03, 04"	20.50	POA	POA	POA	30

REGULARLY FURNISHED: CF8 (Equivalent to Type 304) Rough Finish Stainless Steel Body, Loose Set Non-Tilt Grate with Adjustable Top.

FIG. 9730 FLOOR DRAIN WITH 12" ROUND HEAVY DUTY TOP

FUNCTION: Used in areas where waste water contains no sediment or debris and construction requires a shallow body.



OUTLET VARIATIONS (Specify type of outlet and pipe size in inches.)

Outlet Type	Outlet Designation Outlet Type/Pipe Size	ADD
Butt Weld	BW04, BW06 Specify Schedule 5, 10, †40, or 80	POA
Inside Caulk	C04, C06	POA
Threaded	T04, T06	POA

OPTIONS:

Option	Description	ADD
-C	Flashing Clamp (Type 304)	POA
-SF	Satin Finish Top	POA
-U	Vandal Proof Grate	POA
-W	Seepage Holes	POA

DEDUCT

-CIG	Cast Iron Grate	POA
-RNB	Rough NB Grate	POA
-RB	Rough Bronze Grate	POA

A OUTLET SIZE	FREE AREA SQ IN	†-CF8 (304) STAINLESS STEEL	-CF8M (316) STAINLESS STEEL	-A27 CARBON STEEL	APPROX. WT. LBS
04"	27.63	POA	POA	POA	52
06"	27.63	POA	POA	POA	54

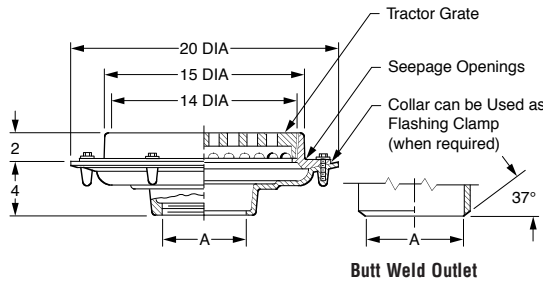
REGULARLY FURNISHED: CF8 (Equivalent to Type 304) Rough Finish Stainless Steel Body and Loose Set Non-Tilt Grate.

SPECIALTIES, STAINLESS AND CARBON STEEL

FIG. 9733 FLOOR DRAIN 15" ROUND TOP WITH HEAVY DUTY TRACTOR GRATE



FUNCTION: Used in areas where waste water contains no sediment or debris and construction requires a shallow body. Large top area permits use where high flow is anticipated.



OUTLET VARIATIONS (Specify type of outlet and pipe size in inches.)

Outlet Type	Outlet Designation Outlet Type/Pipe Size	ADD
Butt Weld	BW04, BW05, BW06, BW08 Specify Schedule 5, 10, †40, or 80	POA
Inside Caulk	C04, C05, C06, C08	POA
Threaded	T04, T05, T06, T08	POA

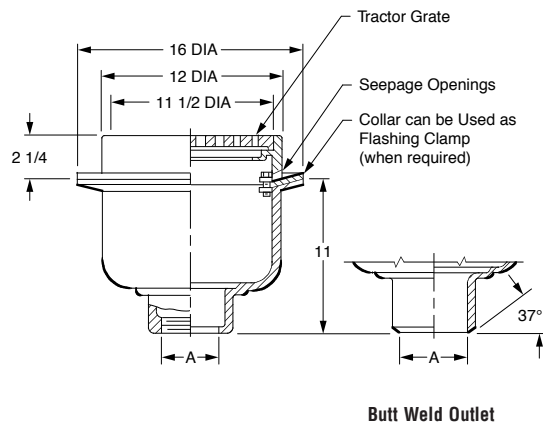
OPTIONS:		ADD
-M	Ductile Iron Grate	POA
-SF	Satin Finish Top	POA
		DEDUCT
-CIG	Cast Iron Grate	POA
-RB	Rough Bronze Grate	POA
-RNB	Rough NB Grate	POA

A OUTLET SIZE	FREE AREA SQ IN	†-CF8 (304) STAINLESS STEEL	-CF8M (316) STAINLESS STEEL	-A27 CARBON STEEL	APPROX. WT. LBS
04, 05"	44.95	POA	POA	POA	65
06, 08"	44.95	POA	POA	POA	65

REGULARLY FURNISHED: CF8 (Equivalent to Type 304) Rough Finish Stainless Steel Body, Flashing Collar with Seepage Openings and Tractor Grate.

FIG. 9734 FLOOR DRAIN 12" ROUND TOP WITH HEAVY DUTY TRACTOR GRATE

FUNCTION: Used in heavy traffic areas. Large deep body provides reservoir where heavy flow is expected, and where a corrosion resistant drain is required.



OUTLET VARIATIONS (Specify type of outlet and pipe size in inches.)

Outlet Type	Outlet Designation Outlet Type/Pipe Size	ADD
Butt Weld	BW03, BW04, BW05, BW06 Specify Schedule 5, 10, †40, or 80	POA
Inside Caulk	C03, C04, C05, C06	POA
Threaded	T03, T04, T05, T06	POA

OPTIONS:		ADD
-A27	Carbon Steel Grate	POA
-B	Sediment Bucket (Type 304)	POA
-CF8M	Type 316 SS Grate	POA
-M	Ductile Iron Grate	POA
-RG	Rough Stainless Grate (Type 304)	POA
-RNB	Rough NB Grate	POA
-SF	Satin Finish Top	POA
-U	Vandal Proof Screws	POA

		DEDUCT
-CIG	Cast Iron Grate	POA

A OUTLET SIZE	FREE AREA SQ IN	†-CF8 (304) STAINLESS STEEL	-CF8M (316) STAINLESS STEEL	-A27 CARBON STEEL	APPROX. WT. LBS
03, 04"	28.66	POA	POA	POA	83
05, 06"	28.66	POA	POA	POA	95

REGULARLY FURNISHED: CF8 (Equivalent to Type 304) Rough Finish Stainless Steel Body, Flashing Collar with Seepage Openings and Rough Bronze Tractor Grate.

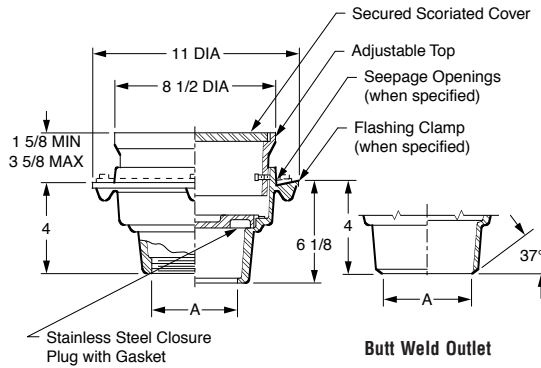


SPECIALTIES, STAINLESS AND CARBON STEEL



FIG. 9735 FLOOR DRAIN W/8 1/2" ROUND ADJUSTABLE TOP, SCORIATED COVER AND CLOSURE PLUG

FUNCTION: Used in floors where a solid cover and internal gasketed closure plug are required. Internal plug prevents sewer gas from escaping into building. Adjustable top collar permits accurate position of top cover to meet finished floor.



OUTLET VARIATIONS (Specify type of outlet and pipe size in inches.)

Outlet Type	Outlet Designation Outlet Type/Pipe Size	ADD
Butt Weld	BW02, BW03, BW04 Specify Schedule 5, 10, †40, or 80	POA
Inside Caulk	C02, C03, C04	POA
Threaded	T02, T03, T04	POA

OPTIONS:

Option	Description	ADD
-A27	Carbon Steel Grate	POA
-C	Flashing Clamp (Type 304)	POA
-E04	4" Extension (Type 304)	POA
-SF	Satin Finish Top	POA
-TP	3/4" Test Plug (for Closure Plug)	POA
-U	Vandal Proof Screws	POA
-W	Seepage Holes	POA

DEDUCT

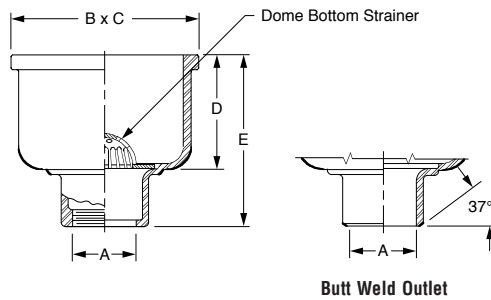
-XPP	Closure Plug and Gasket Plastic Closure Plug (XPP)	POA
------	---	-----

A OUTLET SIZE	†-CF8 (304) STAINLESS STEEL	-CF8M (316) STAINLESS STEEL	-A27 CARBON STEEL	APPROX. WT. LBS
02, 03, 04"	POA	POA	POA	21

REGULARLY FURNISHED: CF8 (Equivalent to Type 304) Rough Finish Stainless Steel Body, Adjustable Top, Secured Scoriated Cover and Gasketed Stainless Steel Closure Plug.

FIG. 9740 INDIRECT WASTE RECEPTOR

FUNCTION: Used in areas where an indirect waste receptor is required and not subject to foot or other traffic. Rectangular shape permits installation against wall with short dimension protruding away from wall.



OUTLET VARIATIONS (Specify type of outlet and pipe size in inches.)

Outlet Type	Outlet Designation Outlet Type/Pipe Size	ADD
Butt Weld	BW03, BW04, BW06 Specify Schedule 5, 10, †40, or 80	POA
Inside Caulk	C03, C04, C06	POA

OPTIONS:

Option	Description	ADD
-DBSCI	CI Dome Bottom Strainer (Not avail. for 4x8" top size)	POA
-F	304 SS Flange, 4x8" Top	POA
-F	304 SS Flange, 6x12" Top	POA
-FC	304 Flange & Clamp 4x8" Top (Type 304)	POA
-FC	304 Flange & Clamp 6x12" Top (Type 304)	POA
-SDBS	304 SS Dome Bottom Strainer	POA
-TP	3/4" Test Plug (for Closure Plug) (Type 304)	POA
-W	Seepage Holes	POA
-XP	Closure Plug & Gasket Plastic (XPP) Type 304 SS (XPSS)	POA

A OUTLET SIZE	Bx C TOP SIZE	D	E	†-CF8 (304) STAINLESS STEEL	-CF8M (316) STAINLESS STEEL	-A27 CARBON STEEL	APPROX. WT LBS.
03"	4x8"	3"	5 1/2"	POA	POA	POA	21
03,04,06"	6x12"	7 1/4"	10 1/2"	POA	POA	POA	23

REGULARLY FURNISHED: CF8 (Equivalent to Type 304) Rough Finish Stainless Steel Body with Aluminum Dome Bottom Strainer.

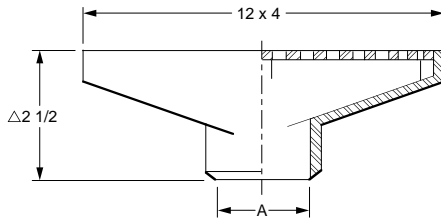
SPECIALTIES

SPECIALTIES, STAINLESS AND CARBON STEEL

FIG. 9745 GUTTER DRAIN



FUNCTION: Used in gutters or other areas where a rectangular top is desired.



△add 1/8" for nickel bronze frame and grate.

A OUTLET SIZE	TOP SIZE	FREE AREA SQ IN	†CF8 (304) STAINLESS STEEL	-CF8M (316) STAINLESS STEEL	-A27 CARBON STEEL	APPROX. WT. LBS
02, 03	12x4"	11.50	POA	POA	POA	10

REGULARLY FURNISHED: CF8 (Equivalent to Type 304)
Rough Finished Stainless Steel Body and Secured Stainless Steel Grate.

OUTLET VARIATIONS (Specify type of outlet and pipe size in inches.)

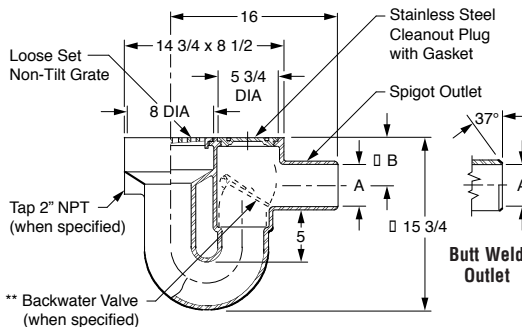
Outlet Type	Outlet Designation Outlet Type/Pipe Size	ADD
Butt Weld	BW02, BW03	POA
	Specify Schedule 5, 10, †40, or 80	

OPTIONS:

-U	Vandal Proof Screws	POA
-SF	Satin Finish Top	POA

FIG. 9750 INTEGRAL TRAP DRAIN WITH FLOOR LEVEL CLEANOUT

FUNCTION: Used in moderate traffic areas where deep trap seal, floor level cleanout and shallow side outlet rough-in are required where limited space is available.



△add 1/4" when Nickel Bronze Top is specified.

OUTLET VARIATIONS (Specify type of outlet and pipe size in inches.)

Outlet Type	Outlet Designation Outlet Type/Pipe Size	ADD
Butt Weld	BW03, BW04	POA
	Specify Schedule 5, 10, †40, or 80	
Spigot	S03, S04	POA

OPTIONS:

-N2	2" NPT Auxiliary Inlet	POA
-SF	Satin Finish Top	POA
-SEC	Secured Grate	POA
-SW	Spanner Wrench	POA
-U	Vandal Proof Screws	POA
-V	304 SS Backwater Valve	POA

DUCT

-NB	NB Frame, Grate & CO Cover	POA
-----	----------------------------------	-----

**** NOTE:** These valves offer protection against backwater surges. Backflow is prevented when not obstructed by debris or sludge. Use for gravity flow only, not pressurized application.

A OUTLET SIZE	FREE AREA SQ IN	†CF8 (304) STAINLESS STEEL	-CF8M (316) STAINLESS STEEL	-A27 CARBON STEEL	APPROX. WT. LBS
03, 04"	20.50	POA	POA	POA	21

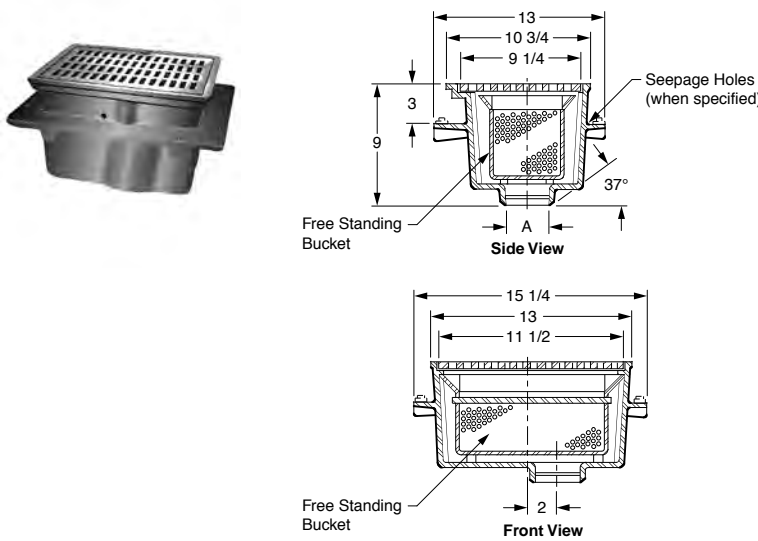
REGULARLY FURNISHED: CF8 (Equivalent to Type 304)
Rough Finish Stainless Steel Body, Loose Set Non-Tilt Grate and Cleanout Plug with Gasket.

SPECIALTIES, STAINLESS AND CARBON STEEL

FIG. 9755 SQUARE HEAVY DUTY DRAIN W/POLISHED BRONZE TOP AND FREE STANDING SEDIMENT BUCKET



FUNCTION: Used in traffic areas and areas that require an offset outlet and rectangular top.



OUTLET VARIATIONS (Specify type of outlet and pipe size in inches.)

Outlet Type	Outlet Designation Outlet Type/Pipe Size	ADD
Butt Weld	BW02, BW03, BW04 BW05, BW06 Specify Schedule 5, 10, †40, or 80	POA

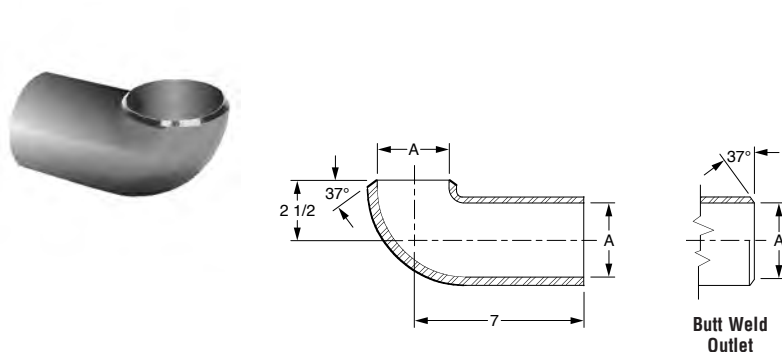
OPTIONS:		ADD
-C	Flashing Clamp w/Seepage Holes (Type 304)	POA
-RNB	Rough NB Grate	POA
-W	Seepage Holes	POA
-316G	CF8M Grate	POA
-304G	CF8 Grate	POA

A OUTLET SIZE	TOP SIZE	FREE AREA SQ IN	†-CF8 (304) SS BODY PB GRATE	-CF8M (316) SS BODY PB GRATE	-A27 CARBON STL PB GRATE	APPROX. WT LBS.
02, 03, 04"	10 3/4 x 13"	42	POA	POA	POA	65
05, 06"	10 3/4 x 13"	42	POA	POA	POA	65

REGULARLY FURNISHED: CF8 (Equivalent to Type 304) Rough Finish Stainless Steel Body with Sediment Bucket and Heavy Duty Loose Set Polished Bronze Grate.

FIG. 9759 90° SIDE OUTLET

FUNCTION: The 90° outlet is used to convert a bottom outlet drain to a side outlet connection.



OUTLET VARIATIONS (Specify type of outlet and pipe size in inches.)

Outlet Type	Outlet Designation Outlet Type/Pipe Size	ADD
Butt Weld	BW02, BW03, BW04 Specify Schedule 5, 10, †40, or 80	POA
Spigot	S02, S03, S04	POA

A OUTLET SIZE	†-CF8 (304) STAINLESS STEEL	-CF8M (316) STAINLESS STEEL	-A27 CARBON STEEL	APPROX. WT. LBS
02"	POA	POA	POA	3
03"	POA	POA	POA	5
04"	POA	POA	POA	7

REGULARLY FURNISHED: CF8 (Equivalent to Type 304) Rough Finish Stainless Steel Elbow with Butt Weld Inlet Connection and Plain End Spigot Outlet.

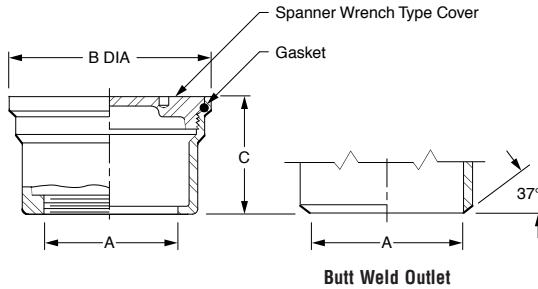
SPECIALTIES

SPECIALTIES, STAINLESS AND CARBON STEEL

FIG. 9760 ROUND DECK PLUG



FUNCTION: Used as floor cleanout for drainage lines. Cover is water and gas tight and requires a spanner wrench for removal.



OUTLET VARIATIONS (Specify type of outlet and pipe size in inches.)

Outlet Type	Outlet Designation Outlet Type/Pipe Size	ADD
Butt Weld	BW02, BW03, BW04 Specify Schedule 5, 10, †40, or 80	POA
Threaded	T02, T03, T04	POA

OPTIONS:

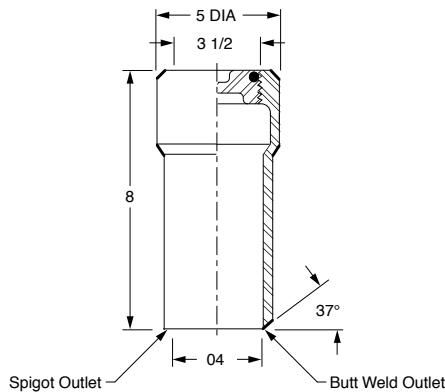
-SW	Steel Spanner Wrench	ADD POA
-----	----------------------	------------

A OUTLET SIZE	B DIA CAULK BUTT WELD	C CAULK BUTT WELD	†-CF8 (304) STAINLESS STEEL	-CF8M (316) STAINLESS STEEL	-A27 CARBON STEEL	APPROX. WT. LBS
02"	4 1/2"	3"	POA	POA	POA	5
03"	5 1/2"	3"	POA	POA	POA	5
04"	7 1/2"	3 1/4"	POA	POA	POA	10

REGULARLY FURNISHED: CF8 (Equivalent to Type 304) Rough Finish Stainless Steel Body and Cover with Gasket.

FIG. 9770 FERRULE AND PLUG

FUNCTION: Used where extension type of cleanout is required. Not recommended for installation in floor areas subject to traffic unless access cover is provided.



OUTLET VARIATIONS (Specify type of outlet and pipe size in inches.)

Outlet Type	Outlet Designation Outlet Type/Pipe Size	ADD
Butt Weld	BW04 Specify Schedule 5, 10, †40, or 80	POA

OPTIONS:

-SF	Satin Finish Top	ADD POA
-----	------------------	------------

A OUTLET SIZE	†-CF8 (304) STAINLESS STEEL	-CF8M (316) STAINLESS STEEL	-A27 CARBON STEEL	APPROX. WT. LBS
04"	POA	POA	POA	10

REGULARLY FURNISHED: CF8 (Equivalent to Type 304) Rough Finish Stainless Steel Body and Plug with Gasket.

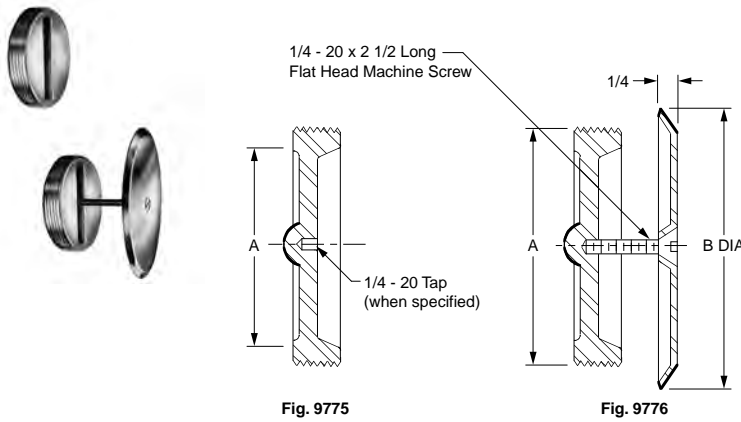


SPECIALTIES, STAINLESS AND CARBON STEEL

FIG. 9775, 9776 WALL CLEANOUTS



FUNCTION: Used in female NPT openings in drainage piping where a cleanout is required. Face-of-wall cover is desirable on finished walls.



OUTLET VARIATIONS (Specify type of outlet and pipe size in inches.)

Outlet Type	Outlet Designation Outlet Type/Pipe Size	ADD
Threaded.....	T03, T04	POA

OPTIONS:

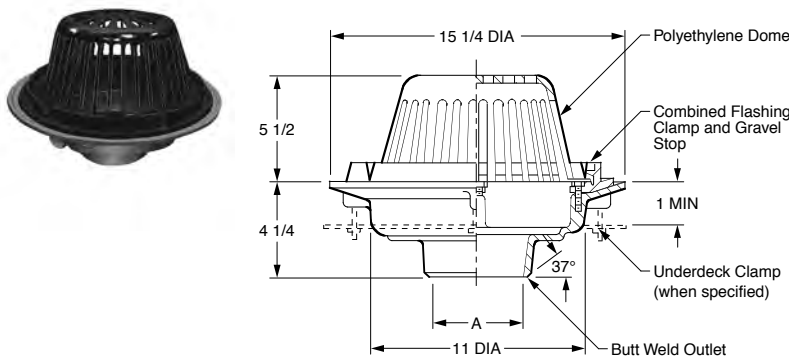
-LS	6" Long Center Screw (Fig 9776)	POA
-TP	Plug Tapped 1/4-20 Thread (Fig 9775)	POA
-U	Vandal Proof Screws (Fig 9776)	POA

FIGURE NO.	A OUTLET SIZE	B DIA COVER SIZE	†CF8 (304) STAINLESS STEEL	-CF8M (316) STAINLESS STEEL	-A27 CARBON STEEL	APPROX. WT. LBS
9775	03"	—	POA	POA	POA	3
	04"	—	POA	POA	POA	5
9776	03"	5 1/2"	POA	—	—	3
	04"	7 1/4"	POA	—	—	5

REGULARLY FURNISHED: CF8 (Equivalent to Type 304) Rough Finish Stainless Steel Plug. Screw with Polished Stainless Steel Cover Plate as Indicated by Figure Number.

FIG. 9780 LARGE GENERAL PURPOSE ROOF DRAIN

FUNCTION: Used in flat roofs of any construction. Large low profile dome provides sufficient free area for quick drainage of rain water and protects the drain sump and connected piping from the intrusion of debris. Wide clamping surface holds flashing and roofing materials without puncturing.



OUTLET VARIATIONS (Specify type of outlet and pipe size in inches.)

Outlet Type	Outlet Designation Outlet Type/Pipe Size	ADD
Butt Weld	BW03, BW04, BW06	POA
	Specify Schedule 5, 10, †40, or 80	

OPTIONS:

-A27D	Carbon Steel Dome	POA
-C	Underdeck Clamp	POA
-CID	Cast Iron Dome	POA
-SD	Secured Dome	POA
-U	Vandal Proof	POA
-304D	Type 304 Steel Dome	POA
-316D	Type 316 Steel Dome	POA

A OUTLET SIZE	FREE AREA SQ IN	†CF8 (304) SS BODY, COLLAR POLY DOME	-CF8M (316) SS BODY, COLLAR POLY DOME	-A27 STL BODY, COLLAR POLY DOME	APPROX. WT. LBS
03, 04"	102.5	POA	POA	POA	35
06"	102.5	POA	POA	POA	37

REGULARLY FURNISHED: CF8 (Equivalent to Type 304) Rough Finish Stainless Steel Body. Combined Flashing Collar and Gravel Stop and Polyethylene Dome.

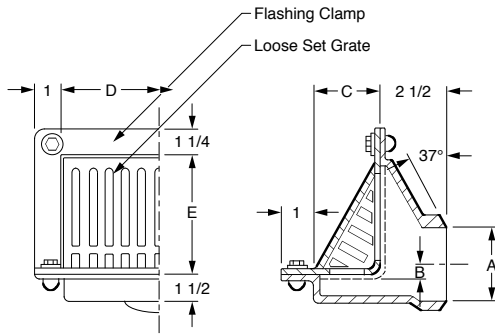
SPECIALTIES

SPECIALTIES, STAINLESS AND CARBON STEEL

FIG. 9785 SCUPPER DRAIN



FUNCTION: Used at junction of roof and parapet. The angle grate prevents debris from blocking drainage.



OUTLET VARIATIONS (Specify type of outlet and pipe size in inches.)

Outlet Type	Outlet Designation Outlet Type/Pipe Size	ADD
Butt Weld	BW02, BW03, BW04 BW05, BW06 Specify Schedule 5, 10, †40 or 80	POA

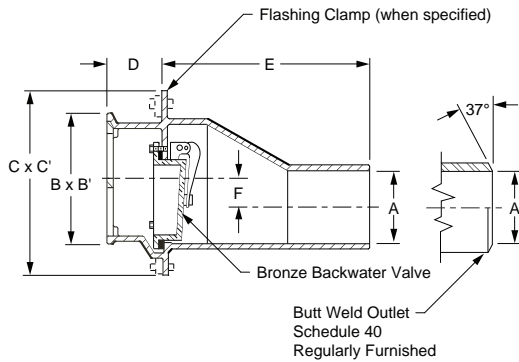
OPTIONS:		ADD
-A27G	Carbon Steel Frame and Grate	POA
-U	Vandal Proof Screws	POA
-304G	Type 304 Frame and Grate (02-04")	POA
-304G	Type 304 Frame and Grate (05-06")	POA
-316G	Type 316 Frame and Grate (02-04")	POA
-316G	Type 316 Frame and Grate (05-06")	POA

A OUTLET SIZE	B	C	D	E	FREE AREA SQ IN	†-CF8 (304) SS BODY, NB FRAME AND GRATE	-CF8M (316) SS BODY, NB FRAME AND GRATE	-A27 STL BODY NB FRAME AND GRATE	APPROX. WT. LBS
02, 03"	1/4"	3 1/4"	8 3/4"	5"	17.87	POA	POA	POA	17
04"	1/2"	3 1/4"	8 3/4"	5"	17.87	POA	POA	POA	17
05, 06"	1 3/4"	4"	10 1/2"	6 1/2"	35	POA	POA	POA	25

REGULARLY FURNISHED: CF8 (Equivalent to Type 304) Rough Finish Stainless Steel Body with Nickel Bronze Loose Set Grate and Clamping Collar.

FIG. 9790 PIT DRAIN WITH BACKWATER VALVE

FUNCTION: Used at base of side walls in pits, where low elevation requires a vertical inlet grate and side outlet roughing. Unless obstructed by debris or sludge, SMITH backflow valves prevent backflow which could damage equipment in pit. Used for gravity flow, not for high flow pump applications.



OUTLET VARIATIONS (Specify type of outlet and pipe size in inches.)

Outlet Type	Outlet Designation Outlet Type/Pipe Size	ADD
Butt Weld	BW03, BW04, BW05 BW06, BW08 Specify Schedule 5, 10, †40 or 80	POA
Spigot	S03, S04, S05 S06, S08	POA

OPTIONS:		ADD
-A27G	Carbon Steel Grate	POA
-C	Galv. Clamping Collar	POA
-U	Vandal Proof	POA
-V	Type 304 SS Backwater Valve	POA
-316G	Type 316 Grate	POA

DEDUCT		POA
-CIG	Cast Iron Grate	POA

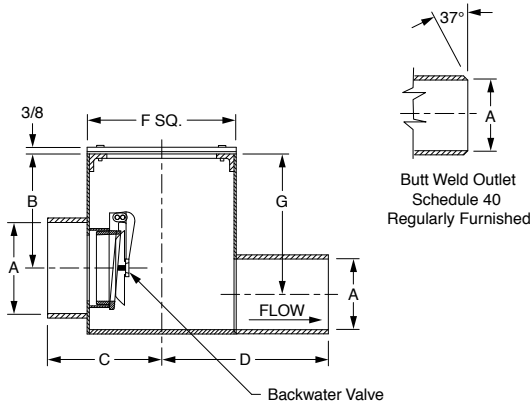
A OUTLET SIZE	B X B'	C X C'	D	E	F	FREE AREA SQ IN	†-CF8 (304) STAINLESS STEEL	-CF8M (316) STAINLESS STEEL	-A27 CARBON STEEL	APPROX. WT. LBS
03, 04"	6 3/4 x 9 1/2"	10 1/4 x 12"	3"	11 1/4"	2 3/4"	15.07	POA	POA	POA	47
05, 06"	7 3/4 x 11	9 3/4 x 13"	4"	13 1/4"	1 1/4"	24.57	POA	POA	POA	76
08"	12 1/2 x 14 1/2"	17 1/4 x 19"	4"	22"	3 1/2"	56.14	POA	POA	POA	164

REGULARLY FURNISHED: CF8 (Equivalent to Type 304) Rough Finish Stainless Steel Body with Secured Grate and Bronze Backwater Valve.

SPECIALTIES, STAINLESS AND CARBON STEEL
FIG. 9795 BACKWATER VALVE



FUNCTION: Used in main or branch sewer lines to protect against backflow. SMITH backwater valves prevent hazardous or damaging backflow unless obstructed by debris or sludge. Valve design permits access to backwater valve assembly servicing or cleaning through a "full opening" cover.



OUTLET VARIATIONS (Specify type of outlet and pipe size in inches.)

Outlet Type	Outlet Designation Outlet Type/Pipe Size	ADD
Butt Weld	BW03, BW04 Specify Schedule 5, 10, †40 or 80	POA

OPTIONS:
 -U Vandal ProofADD
POA

A OUTLET SIZE	B	C	D	F SQ.	G	†-CF8 (304) STAINLESS STEEL	-CF8M (316) STAINLESS STEEL	-A27 CARBON STEEL	APPROX. WT. LBS
03"	6 1/4"	5 3/4"	9"	7 1/2"	7 1/2"	POA	POA	POA	47
04"	6 1/2"	6 1/2"	9 1/2"	8 1/2"	8"	POA	POA	POA	76

REGULARLY FURNISHED: Fabricated Type 304 Stainless Steel Body, Bolted Cover and Bronze Backwater Valve.

SPECIALTIES

INSTALLATION DATA FOR STAINLESS STEEL CARBON STEEL DRAINS AND CLEANOUTS



FOR ANCHORING

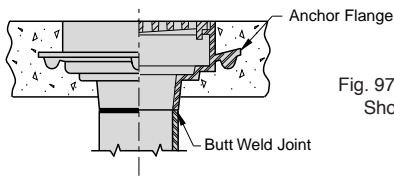


Fig. 9710BW Shown

Floor drains with integral flanges are ideal for anchoring in slab. Regularly furnished with no seepage holes.

FOR ANCHORING AND SEEPAGE

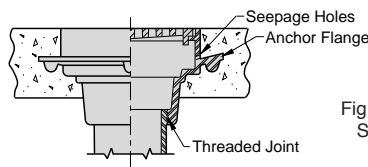


Fig. 9710T Shown

Seepage holes are furnished only when specified. Seepage holes permit moisture which may seep through concrete to collect on drain flange and flow back into drain.

FOR WATERPROOF FLOORS

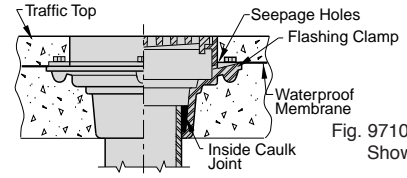


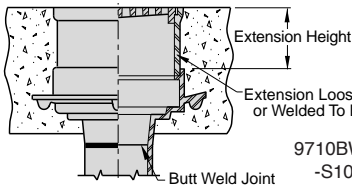
Fig. 9710C (-C) Shown

Flashing Clamp -C furnished when specified to clamp waterproof membrane to drain body flange. Seepage holes are always furnished with flashing clamp.

FLOOR DRAINS WITH EXTENSIONS

FIXED

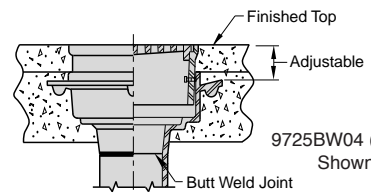
Extension 4" high regular. Specify lower or higher. End of extension is machined (O.D.) to fit snugly in grate recess of drain body. May be laid in loose or welded in field.



9710BW04 (-E04, -S10) Shown

ADJUSTABLE

When limited adjustment to varying finished floor is required, the adjustable top is applicable. Ideal for use where slab thickness may vary slightly. This top can be adjusted before final pour is made. Ideal for "Two Pour" construction where finished traffic deck thickness may vary.

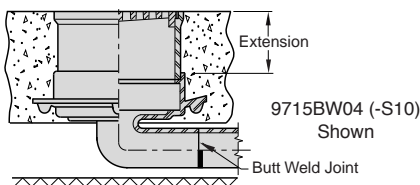


9725BW04 (-S10) Shown

SIDE OUTLET DRAINS

8 1/2" TOP WITH EXTENSION

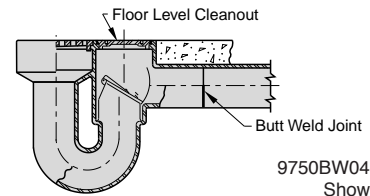
Fixed extension will permit installer to rough side outlet under slab. Side outlet connection enables joint to be below slab and piping directed to side wall.



9715BW04 (-S10) Shown

INTEGRAL TRAP TYPE

Installed where side outlet and integral trap are required, and drain must be installed in the slab. Combines all required features (including floor level cleanout) in one casting.



9750BW04 (-S10) Shown

DECK PLUG

Installed directly on pipe end and imbedded in concrete slab. Cover is threaded and gasketed.

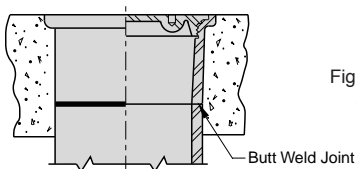


Fig. 9760BW Shown

CLEANOUTS

FLOOR DRAIN TYPE

Floor drain type with solid scoriated cover and internal gasketed closure plug makes an ideal floor cleanout in construction where a flange is required as an anchor or to receive a flashing clamp. For adjustable top use 9735 series.

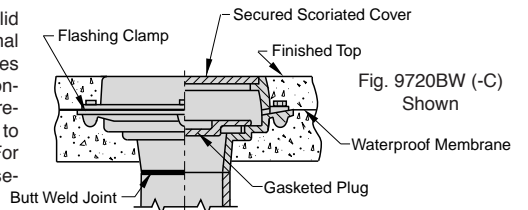


Fig. 9720BW (-C) Shown

INDIRECT WASTE DRAINS

FUNNEL TYPE

All Floor drains can be converted to an indirect waste drain by adding funnel to top of grate.

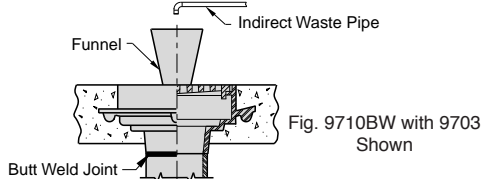


Fig. 9710BW with 9703 Shown

RECEPTOR TYPE

Indirect waste (open sight) drain mounted above floor Fig. 9740 Series 4 x 8 or 6 x 12. Rectangular shape permits installation against side wall with short dimension protruding away from wall.

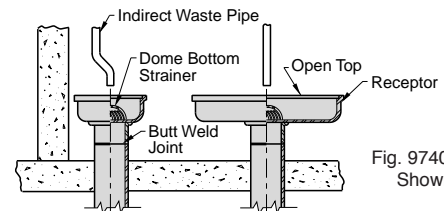
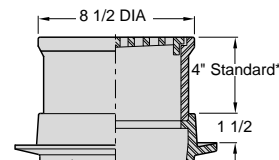
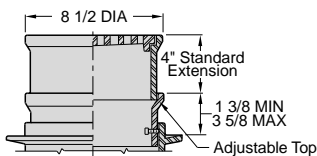


Fig. 9740BW Shown

FIXED EXTENSIONS FOR 8 1/2" ROUND TOP DRAINS (SUFFIX -E)

9725 (-E04) Shown



9710 (-E04) Shown

Used to accommodate deep floor slabs or where distance from flange to top of drain has to be increased. End of extension is machined to fit snugly in grate recess of drain body. May be installed loose set or field welded to drain body. Available with all 8 1/2" round top drains; Series 9705, 9710, 9715, 9720, 9725, 9735 and 9750. See Fig. Nos. 9725 and 9735 when an adjustable type extension is desired. *4" height is standard. Longer or shorter heights as specified. Min. extension height is 1".

CORROSION RESISTANCE DATA



CONSULT SMITH SALES ENGINEERING DEPARTMENT

TYPICAL CORROSION RESISTANCE OF STAINLESS STEELS TO VARIOUS MEDIA

CODE: a-Unaffected, b-Slightly attacked, c-Attacked, m-Complete details concerning the conditions of service must be evaluated.

MEDIUM	TYPE NUMBERS		MEDIUM	TYPE NUMBERS	
	CF8 (304)	CF8M (316)		CF8 (304)	CF8M (316)
ORGANIC SUBSTANCES			MISCELLANEOUS		
Acetone	a	a	Ammonia	a	a
Benzol	a	a	Baking oven gases	a	a
Carbon tetrachloride	c	c	Bromine	c	c
Ethyl alcohol	a	a	Carbonated beverages	a	a
Ethyl chloride	a	a	Chlorine (wet and dry)	c	c
Ethyl ether	a	a	Glycerin	a	a
Food pastes	a	a	Hydrogen sulfide (400° F)	b	a
Fruit juices	a	a	Iodine	c	a
Ink	m	m	Lead (molten)	c	c
Mustard	b	a	Lysol	m	m
Paregoric compd	a	a	Mercury	a	a
Quinine bisulfate	b	a	Sauerkraut brine	c	a
Quinine sulfate	a	a	Sea water	m	m
Vinegar at 70° F	m	m	Sulfur dioxide	b	b
ACIDS			Vegetable juices	a	a
Acetic	m	m	X-ray developing solution	b	a
Benzoic	a	a	Zinc (molten)	c	c
Boric	a	a			
Carbolic	a	a			
Chromic (50%)	c	c			
Citric	a	a			
Formic	c	m			
Hydrobromic	c	c			
Hydrocyanic	a	a			
Hydrochloric	c	c			
Hydrofluoric	c	c			
Lactic	a	a			
Nitric (conc.)	a	a			
Nitric (conc. plus 2% HCl)	a	..			
Nitrous (conc.)	a	a			
Oxalic	m	m			
Phosphoric	a	a			
Phosphoric (10%)	a	a			
Picric (conc.)	a	a			
Phyrogallic (conc.)	a	a			
Pyroligneus (conc.)	a	a			
Stearic (conc.)	a	a			
Succinic (molten)	c	..			
Sulfuric (conc.)	a	a			
Sulfuric (dil.)	m	m			
Sulfuric 15% (plus 2% potassium dichromate)	a	a			
Sulfurous (conc.)	b	a			
Tannic (conc.)	a	a			
Tartaric (conc.)	a	a			
Trichloroacetic acid (10%)	a	a			
Uric (conc.)	a	a			
SALTS					
Aluminum chloride	c	c			
Aluminum fluoride	c	b			
Aluminum sulfate	a	a			
Ammonium alum	a	a			
Ammonium bromide	c	a			
Ammonium chloride	b	a			
Ammonium hydroxide	a	a			
Ammonium nitrate	a	a			
Ammonium sulfate	a	a			
Barium chloride	a	a			
Bleaching powder	c	a			
Calcium chloride	c	a			
Calcium hydroxide or oxide	a	a			
Copper chloride	c	c			
Copper cyanide	a	a			
Copper nitrate	a	a			
			Copper sulfate (plus 2% sulfuric acid)	a	a
			Copper sulfate	a	a
			Creosote	c	a
			Creosote (plus 3% salt)	c	c
			Hydrogen peroxide	b	a
			Magnesium carbonate	a	a
			Magnesium chloride	m	m
			Magnesium sulfate	a	a
			Magnesium hydroxide	a	a
			Magnesium nitrate	a	a
			Phosphorous trichloride	a	a
			Potassium bromide	a	a
			Potassium carbonate	a	a
			Potassium chloride	m	m
			Potassium chlorate	a	a
			Potassium cyanide	a	a
			Potassium dichromate	a	a
			Potassium ferricyanide	a	a
			Potassium ferricyanide (boiling)	a	a
			Potassium hypochlorite	c	m
			Potassium iodide	a	a
			Potassium iodide (sat. plus 0.1% sodium carbonate evaporated to dryness)	a	a
			Potassium hydrate	a	a
			Potassium nitrate	a	a
			Potassium oxalate	a	a
			Potassium permanganate	a	a
			Potassium sulfate	a	a
			Silver nitrate	a	a
			Silver cyanide	a	a
			Sodium bicarbonate	a	a
			Sodium borate	a	a
			Sodium bromide	a	a
			Sodium chloride (2% aerated)	a	a
			Sodium citrate	a	a
			Sodium fluoride	b	.
			Sodium hydroxide	a	a
			Sodium nitrate	a	a
			Sodium peroxide (212° F)	a	a
			Stannic chloride	c	c
			Stannous chloride	b	.
			Sulfar (molten) (500° F)	a	a
			Sulfar chloride	b	.
			Titanium tetrachloride	a	a
			Zinc chloride	c	b
			Zinc sulfate	a	a

SPECIALTIES

NOTES





JAY R. SMITH MFG. CO.
MEMBER OF MORRIS GROUP INTERNATIONAL



Stainless Steel Drain Series

9600 GENERAL PURPOSE
FLOOR DRAIN WITH ADJUSTABLE
STRAINER HEAD

9614 GENERAL PURPOSE
FLOOR DRAIN ROUND TOP

9620-9621 SPECIAL PURPOSE
FLOOR DRAIN WITH HEAVY
DUTY RIM FLOW GRATE

9620-9622 GENERAL PURPOSE FLOOR
DRAIN FOR MEDIUM DUTY USE

9614 GENERAL PURPOSE
FLOOR DRAIN SQUARE TOP

Canadian Smith Yellow Pages PG-CA Product Guide



info@morrisleecan.com
Morris/Lee, LTD. is a Member of Elmco Group

www.morrisleecan.com