

ENGINEERING COMMUNIQUÉ

JAY R. SMITH MFG. CO.® ♦ FEBRUARY, 2015 ♦ VOLUME 5-ISSUE 1



McPlumber: We take the pain out of your drains.

From: **THE SMITH ENGINEERING GROUP**

SUBJECT: Figure Numbers 2482 & 2483

These drains were formerly SQ drains but have been assigned a figure number.

The figure no. 2482 (SQ-2-1717) is an extra heavy-duty floor drain and can be used in parking areas/decks and similar applications. It is regularly furnished with a ductile iron slotted grate, cast iron flashing collar and body. The safe live load (static) rating per ASME A112.6.3 is 14,000 lbs.

The figure no. 2483 (SQ-2-4066) is a unique drain. It has two extra heavy-duty ductile iron grates, fabricated steel body and a side outlet. In areas where solids and debris are a concern, a mesh lined sediment basket can be supplied when specified. The design of the unit with the side outlet allows the solids retaining baffle, when specified, to be effective in retaining the solids until removed/cleaned. The safe live load (static) rating per ASME A112.6.3 is 22,000 lbs.

Submittals for both are attached.

When working with an engineer on a specification, please take into consideration the following.

The nomenclature for safe live load ratings derives from the ASME A112.6.3 floor Drain Standard for top loading classification and testing procedures. The test procedure consists of placing a 3" (inch) diameter platen in the center of the grate and applying hydraulic pressure/load slowly until the point of failure. This is a static test only and does not take into consideration impact loading, linear or rotational dynamics, and destructive evaluation.

The classifications are for conventional applications that occur within or immediately outside a facility. Vehicle traffic castings have different classifications than listed in the ASME Standard.

Although the drain may be noted for a specific loading classification, other considerations must be accounted for when making judgments such as location. Drains are particularly venerable when located in traffic areas and the venerability is increased when in the pathway of a turning radius. Vehicles will torque grates out of their drain seats even when it is an extra heavy-duty grate. This same principle/situation applies to municipalities that secure their manhole covers by welding them to the manhole body. Heavy-duty cast iron trench drain grates will be displaced from their drain seats and/or broken when in turning radius of vehicles.

Coatings, varnishes and glazes provided on surface drainage products specifically in traffic areas will not endure for long periods of time and should not be expected to do such. Even when subjected to pedestrian traffic only, coatings will also eventually wear from the constant shoe, cart and other traffic.

MEMBER OF



MORRIS GROUP
INTERNATIONAL



JAY R. SMITH MFG. CO.
 MEMBER OF MORRIS GROUP INTERNATIONAL
 POST OFFICE BOX 3237
 MONTGOMERY, ALABAMA 36109-0237 (USA)
 TEL: 334-277-8520 FAX: 334-272-7396 www.jrsmith.com



MEMBER OF:

LOCATION

EXTRA HEAVY DUTY FLOOR DRAIN

DRAWING NUMBER
S2482

SIZE
A

SCALE:
NONE

DATE:
1-15-15

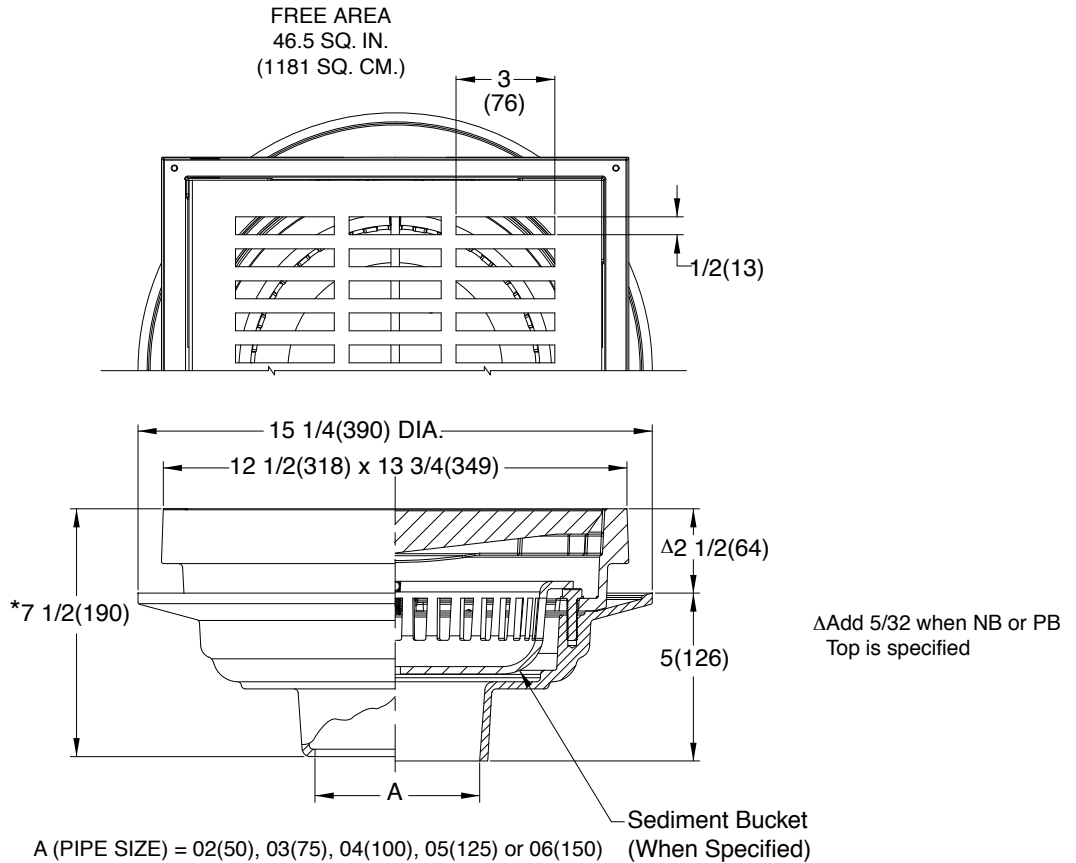
APPROVED BY:
CL

CHECKED BY:
CL

DRAWN BY:
TBW

2482

WE CAN ASSUME NO RESPONSIBILITY FOR USE OF SUPERSEDED OR VOID DATA



- Fig. 2482C CAULK OUTLET
- Fig. 2482T THREADED OUTLET
- Fig. 2482Y NO-HUB OUTLET

REGULARLY FURNISHED:
 Duco Cast Iron Body and
 Flashing Collar with Ductile
 Iron Slotted Grate.

VARIATIONS:

- Sediment Bucket -B
- Vandal Proof Grate -U
- 1/2"(13) Trap Primer
Connection -P050
- Secondary Strainer -FBS
- L Speedi-Set Service Weight
02(50), 03(75) & 04(100) Sizes Only
- LXH Speedi-Set Extra Heavy
02(50), 03(75) & 04(100) Sizes Only

OPTIONAL MATERIALS:

- Galvanized -G
- Nickel Bronze Top -NB
- Polished Bronze Top -PB

NOTE: Dimensions shown in
 Parentheses are in millimeters.

REV.	DATE	DESCRIPTION	BY	CKD. BY

WEIGHT POUNDS	VOLUME CUBIC FEET

FIGURE NUMBER
2482

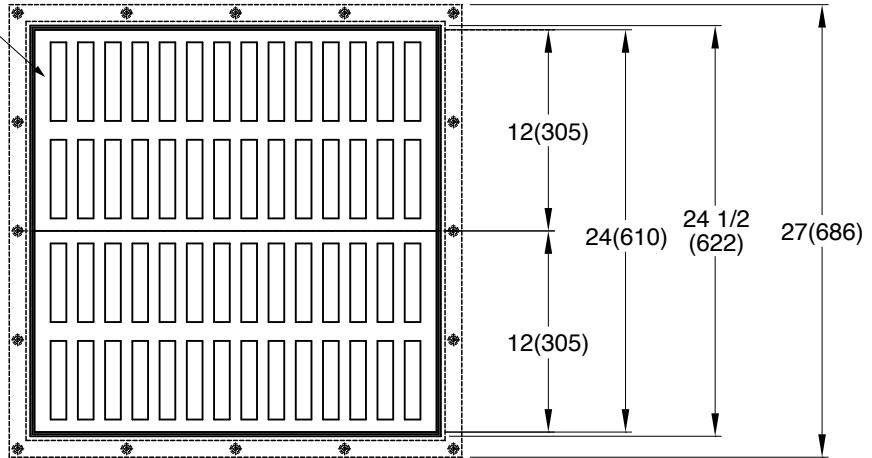


LOCATION

SPECIAL PURPOSE DRAIN

LARGE HEAVY DUTY FLOOR DRAIN

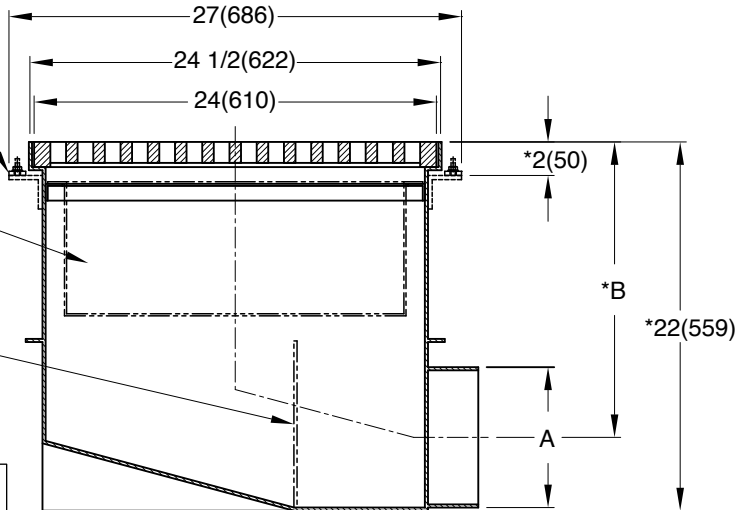
(2) Extra-Heavy Duty Ductile Iron Slotted Grates



Flange and Flashing Clamp (When Specified)

Mesh Lined Sediment Bucket (When Specified)

Solids Retaining Baffle (When Specified)



A (Pipe Size)	04 (100)	06 (150)	08 (200)
B	19 5/8 (498)	18 5/8 (473)	17 5/8 (448)

*NOTE: Add 3/16"(5) When Bronze or Nickel Bronze Top is Specified.

Fig. 2483 NO HUB OUTLET

REGULARLY FURNISHED:
 Duco Coated Fabricated Steel Body with Side Outlet and Cast Ductile Iron Extra-Heavy Duty Slotted Loose-Set Grates.

- VARIATIONS:**
- Vandal Proof -U
 - Anchor/Flashing Flange -F
 - Flashing Clamp -C Bucket - B
 - Solids Retaining Baffle -SBR
 - T Threaded Outlet
 - C Inside Caulk Outlet

- OPTIONAL MATERIALS:**
- Nickel Bronze Top -NB
 - Polished Bronze Top -PB
 - All Type 304 Stainless Steel -304SS
 - All Type 316 Stainless Steel -316SS
 - Galvanized -G

NOTE: Dimensions shown in parentheses are in millimeters.

DRAWING NUMBER
S2483

SIZE
A

SCALE:
NONE

DATE:
1-26-15

APPROVED BY:
SJM

CHECKED BY:
JM

DRAWN BY:
TBW

2483

FIGURE NUMBER

WE CAN ASSUME NO RESPONSIBILITY FOR USE OF SUPERSEDED OR VOID DATA

DIMENSIONS ARE SUBJECT TO MANUFACTURERS TOLERANCE AND CHANGE WITHOUT NOTICE

WEIGHT POUNDS	VOLUME CUBIC FEET	FIGURE NUMBER 2483

REV.	DATE	DESCRIPTION	BY	CKD. BY