

H



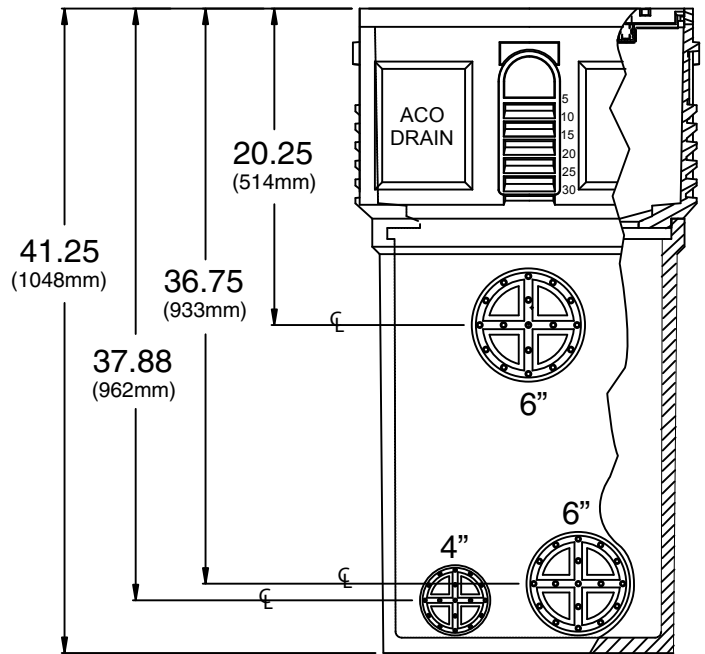
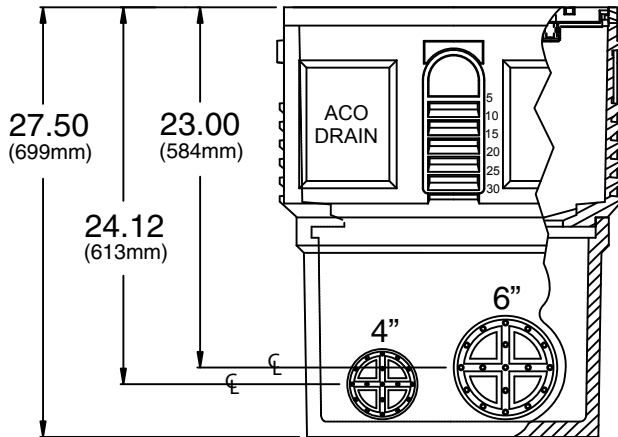
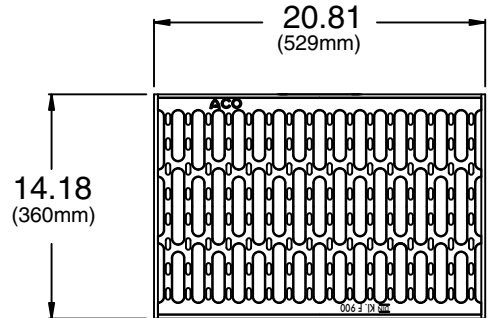
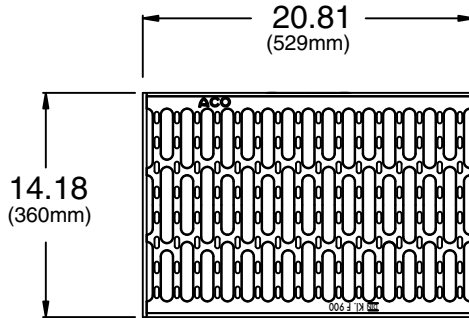
**JAY R. SMITH MFG. CO.**  
 DIVISION OF SMITH INDUSTRIES, INC.  
 POST OFFICE BOX 3237  
 MONTGOMERY, ALABAMA 36109-0237 (USA)  
 TEL: 334-277-8520 FAX: 334-272-7396 www.jrsmith.com



LOCATION

# 9864 SERIES MODULAR CATCH BASIN

Extra Heavy Duty- DIN 1958D Load Class F 200,000 LBS - 2659 PSI suitable for Extremely Heavy Loads such as Aircraft Traffic.



**9864TM-BS Catch Basin**   
 22 Gal. Capacity  
 See back sheet for component details

**9864TM-BD Catch Basin**   
 34 Gal. Capacity  
 See back sheet for component details

**REGULARLY FURNISHED:**

Precast Polymer Concrete Catch Basin with Ductile Iron Frame and Secured Ductile Iron Slotted Grate. Pre-formed Knockout Panels are Provided On each side of the Catch Basin for Connection to Channels, also Preformed 4", 6" & 8" Outlet Knockouts are Furnished and Located as Shown.

**OPTIONAL MATERIAL:**

Vinyllester

- VARIATIONS:**
- Ductile Iron ADA Grate
  - Foul Air Trap (See Back)
  - Plastic Trash Bucket Shallow - BP
  - Plastic Trash Bucket Deep - BPL



DRAWING NUMBER  
a9864

SIZE  
A

SCALE:  
NONE

DATE:  
12-14-93

APPROVED BY:  
PACE

CHECKED BY:  
PACE

DRAWN BY:  
TWK

9864

WE CAN ASSUME NO RESPONSIBILITY FOR USE OF SUPERSEDED OR VOID DATA

DIMENSIONS ARE SUBJECT TO MANUFACTURERS TOLERANCE AND CHANGE WITHOUT NOTICE

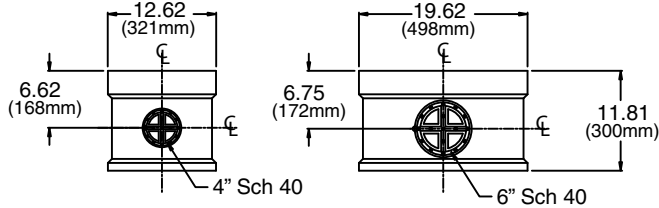
REV.	DATE	DESCRIPTION	BY	CKD. BY
H	11-15-07	Revised Drawing	RN	MD
G	12-6-06	Added NOTE	RN	Pace
F	8-11-06	Revised Drawing and Variations	RN	Pace
E	6-30-05	Added ADH Grate	TBW	Pace

WEIGHT POUNDS	VOLUME CUBIC FEET	FIGURE NUMBER
		<b>9864</b>

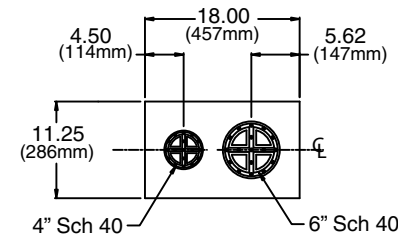
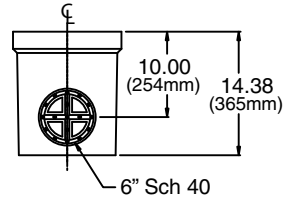
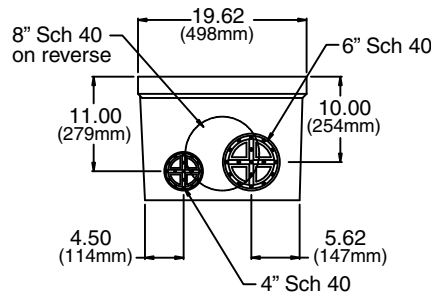
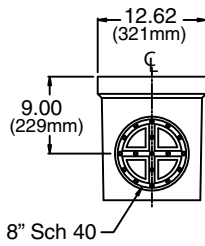


LOCATION

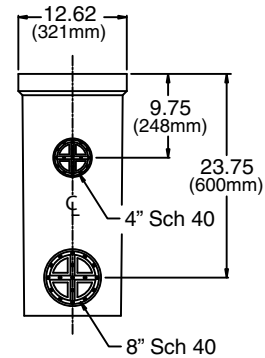
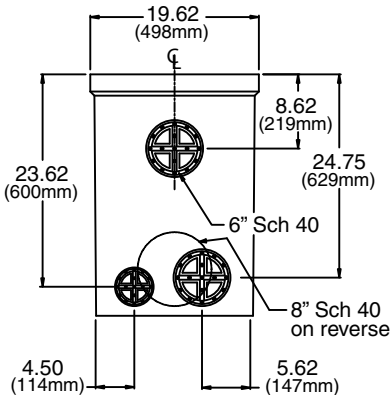
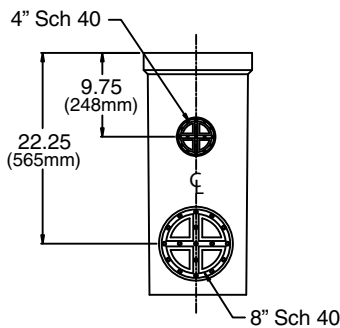
# 9864 SERIES MODULAR CATCH BASIN



**CENTER SECTION 9864-CS**   
11 GALLON CAPACITY



**SHALLOW BOTTOM SECTION 9864-BS**   
11 GALLON CAPACITY



**DEEP BOTTOM SECTION 9864-BD**   
23 GALLON CAPACITY



DRAWING NUMBER  
9864BS

SIZE  
A

SCALE:  
NONE

DATE:  
12-14-93

APPROVED BY:

CHECKED BY:

DRAWN BY:  
TWK

FIGURE NUMBER  
9864BS

DIMENSIONS ARE SUBJECT TO MANUFACTURERS TOLERANCE AND CHANGE WITHOUT NOTICE

WE CAN ASSUME NO RESPONSIBILITY FOR USE OF SUPERSEDED OR VOID DATA

REV.	DATE	DESCRIPTION	BY	CKD. BY	WEIGHT POUNDS	VOLUME CUBIC FEET	FIGURE NUMBER
E	11-15-07	Revised DWG	RN	MD			<b>9864BS</b>
D	8-16-06	Revised DWG	RN	MD			
C	9-5-02	Added New ACO Logo	RN				
B	1-31-00	Added (mm)	SA				