

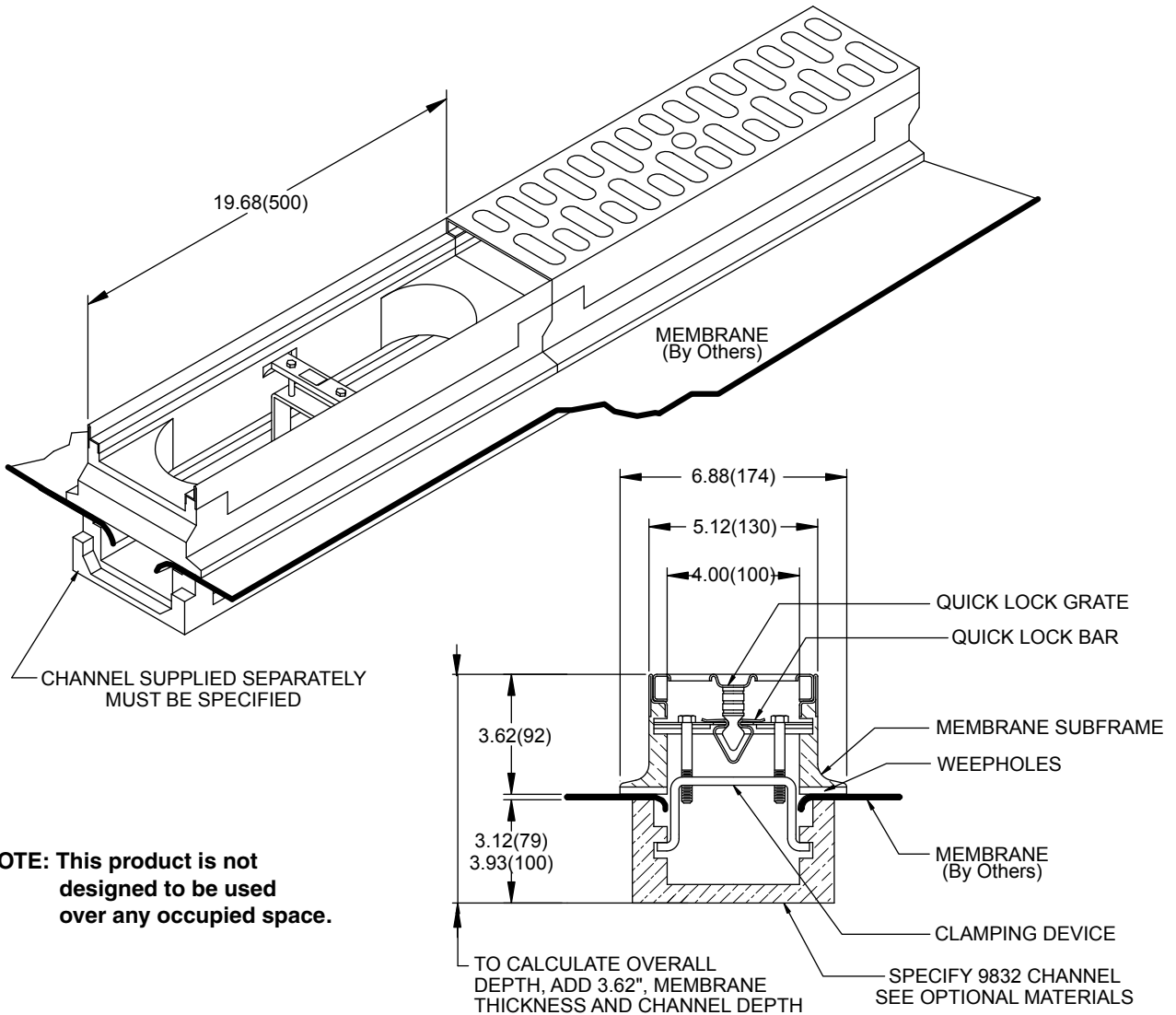
SMITH® JAY R. SMITH MFG. CO.®
 MEMBER OF ACORN'S FAMILY OF COMPANIES
 POST OFFICE BOX 3237
 MONTGOMERY, ALABAMA 36109-0237 (USA)
 TEL: 334-277-8520 FAX: 334-272-7396 www.jrsmith.com



LOCATION

9837 MEMBRANE DRAIN

FUNCTION: Used in surface drainage applications in a suspended slab where any fluid permeating through the concrete is collected and directed back into the trench drain via a membrane and weepholes. Loading is determined by the grating up to load class C.



NOTE: This product is not designed to be used over any occupied space.

REGULARLY FURNISHED:

1/2 meter polyester polymer concrete clamping subframes with integrally molded galvanized steel edge rails and galvanized steel clamping devices. 2 required per 1 meter. Grating as per specification.

NOTE: Channel supplied separately must be specified.

OPTIONAL MATERIALS:

- SS Edge Rails
- SS Clamping Device
- 9832-080 1M CHANNEL
- 9832-0100 1M CHANNEL
- 9814 1M CHANNEL



DRAWING NUMBER
9837

SIZE
A

SCALE:
NONE

DATE:
4/12/06

APPROVED BY:
MD

CHECKED BY:
MD

DRAWN BY:
RN

WE CAN ASSUME NO RESPONSIBILITY FOR USE OF SUPERSEDED OR VOID DATA

DIMENSIONS ARE SUBJECT TO MANUFACTURERS TOLERANCE AND CHANGE WITHOUT NOTICE

9837

FIGURE NUMBER

C	6-23-11	Added Note	TBW	PJ	WEIGHT POUNDS	VOLUME CUBIC FEET	FIGURE NUMBER 9837
B	8/21/07	Revised Reg. Furnished	RN	PJ			
A	9/6/06	Added (By Others)	RN	MD			
REV.	DATE	DESCRIPTION	BY	CKD. BY			



JAY R. SMITH MFG. CO.
 DIVISION OF SMITH INDUSTRIES, INC.
 POST OFFICE BOX 3237
 MONTGOMERY, ALABAMA 36109-0237 (USA)
 TEL: 334-277-8520 FAX: 334-272-7396 www.jrsmith.com



LOCATION

9837 MEMBRANE DRAIN

GRATE SPECIFICATIONS BY LOAD CLASS

Light Duty, DIN 19580 **Class A** - 3,500 lbs - 70 psi
 For pedestrian, wheel chair and bicycle traffic

- 9870-410-GP- 1/4 dia. perforated galv. steel grate (27.60 SQ. IN.) Open Area/1 Meter
- 9870-420-G - 3 1/4 x 3/8 slotted galv. steel grate (42.60 SQ. IN.) Open Area/1 Meter
- 9870-450-SS- 3 1/4x 3/8 slotted stainless steel grate (42.60 SQ. IN.) Open Area/1 Meter
- 9870-451-SSPA- 1/4 dia. perforated stainless steel grate (27.60 SQ. IN.) Open Area/1 Meter
- 9870-445-SSADA- 13/16 x 3/16 longitudinal stainless steel slot bar grate (95.00 SQ. IN.) Open Area/1 Meter
- 9870-494-PADA- 1 3/4x 5/16 longitudinal slot black polypropylene grate (28.0 SQ. IN.) Open Area/1/2 Meter

Heavy Duty, DIN 19580 **Class C** -56,000 lbs - 1,162 psi
 For commercial pneumatic tire traffic patterns, forklifts and tractor trailers

- 9870-405-GM- 13/16 x 1/2 longitudinal galv. steel slot bar grate (125.30 SQ. IN.) Open Area/1 Meter
- 9870-411 -GPHD- 1/4 dia. perforated galv. steel grate (27.60 SQ. IN.) Open Area/1 Meter
- 9870-416-GS- solid galvanized steel cover
- 9870-425-GHD- 3 1/4x 3/8 slotted galv. steel grate (42.60 SQ. IN.) Open Area/1 Meter
- 9870-430-SSM- 1 3/16 x 1/2 longitudinal stainless steel slot bar grate (125.30 SQ. IN.) Open Area/1 Meter
- 9870-455-SSHD- 3 1/4 x 3/8 slotted stainless steel grate (42.60 SQ. IN.)Open Area/1 Meter
- 9870-465-SSP- 1/4 dia. perforated stainless steel grate (27.60 SQ. IN.) Open Area/1 Meter
- 9870-477-ML- 1 3/4 x 1 longitudinal ductile iron slotted grate (42.00 SQ. IN.) Open Area/1/2 Meter
- 9870-479-MD- Mosaic pattern ductile iron grate (19.50 SQ. IN) Open Area/1/2 Meter
- 9870-485-PB- 1/4 dia. perforated brass grate (27.60 SQ. IN.) Open Area/1 Meter
- 9870-492-RC- 1 1/2 x 13/16 slotted resin composite grate (16.30 SQ. IN.)Open Area/1/2 Meter

• Available in 1 Meter and 1/2 Meter



DRAWING NUMBER
a9832BS

SIZE
A

SCALE:
NONE

DATE:
4-13-06

APPROVED BY:
MD

CHECKED BY:
MD

DRAWN BY:
RN

9837BS

FIGURE NUMBER

WE CAN ASSUME NO RESPONSIBILITY FOR USE OF SUPERSEDED OR VOID DATA

DIMENSIONS ARE SUBJECT TO MANUFACTURERS TOLERANCE AND CHANGE WITHOUT NOTICE

REV.	DATE	DESCRIPTION	BY	CKD. BY

WEIGHT POUNDS	VOLUME CUBIC FEET

FIGURE NUMBER 9837BS
