

B



JAY R. SMITH MFG. CO.
 DIVISION OF SMITH INDUSTRIES, INC.
 POST OFFICE BOX 3237
 MONTGOMERY, ALABAMA 36109-0237 (USA)
 TEL: 334-277-8520 FAX: 334-272-7396 www.jrsmith.com



MEMBER OF:

LOCATION

DRAWING NUMBER
a9824

SIZE
A

SCALE:
NONE

DATE:
5-28-96

APPROVED BY:

CHECKED BY:
PACE

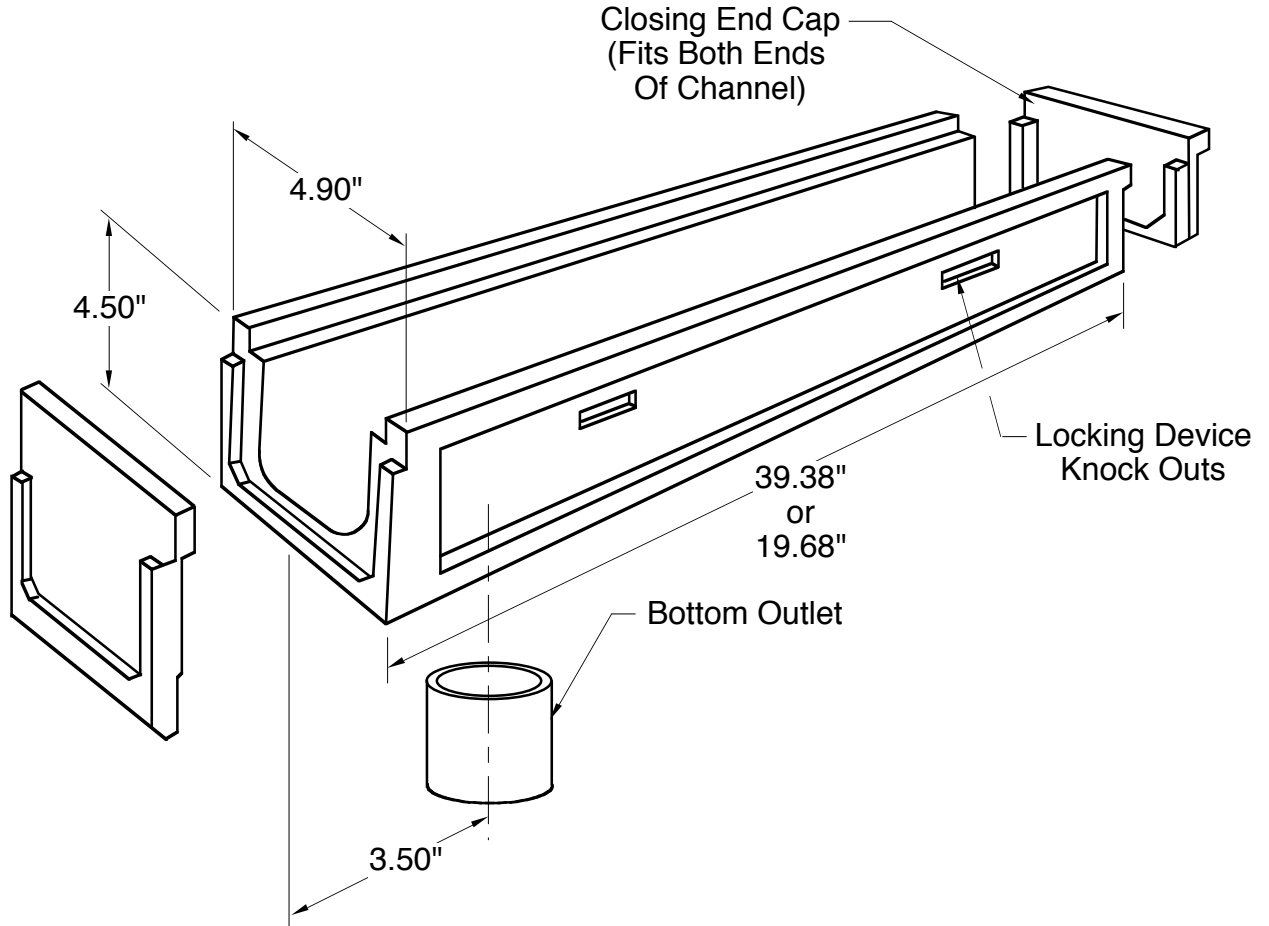
DRAWN BY:
CMD

9824

WE CAN ASSUME NO RESPONSIBILITY FOR USE OF SUPERSEDED OR VOID DATA
DIMENSIONS ARE SUBJECT TO MANUFACTURERS TOLERANCE AND CHANGE WITHOUT NOTICE

RESIDENTIAL TRENCH DRAIN

FUNCTION: The ideal "Do it yourself" neutral channel system designed particularly for light load residential applications, such as garages, patios, swimming pools, tennis courts and pedestrian areas.



REGULARLY FURNISHED:
 1 meter (3.28') Precast Polyester
 Concrete Channel of Interlocking
 Design with a Non-Sloping Bottom.
 Supplied with Laid on Galvanized
 Slotted Grate with a Load Class "A"
 Rating which will Handle Imposed
 Loadings up to 3,500 lbs.

VARIATIONS:

- 4" Bottom Outlet
- 4" Horizontal Outlet Cap
- Closing End Cap
- 1 meter Channel
- 1/2 meter Channel
- Galvanized Slotted Grate (1 meter lg)
- Galvanized Slotted Grate (1/2 meter)
- Locking Device

Note: This trench drainage system is designed for "on grade applications only", as there are no provisions for a flashing flange or flashing clamp.



FIGURE NUMBER	B A	6-17-05 9-5-02	Added Note Added New ACO Logo	TBW RN	PJ PJ	WEIGHT POUNDS	VOLUME CUBIC FEET	FIGURE NUMBER 9824
	REV.	DATE	DESCRIPTION	BY	CKD. BY			