

A

SMITH® JAY R. SMITH MFG. CO.®
 DIVISION OF SMITH INDUSTRIES, INC.
 POST OFFICE BOX 3237
 MONTGOMERY, ALABAMA 36109-0237 (USA)
 TEL: 334-277-8520 FAX: 334-272-7396 www.jrsmith.com



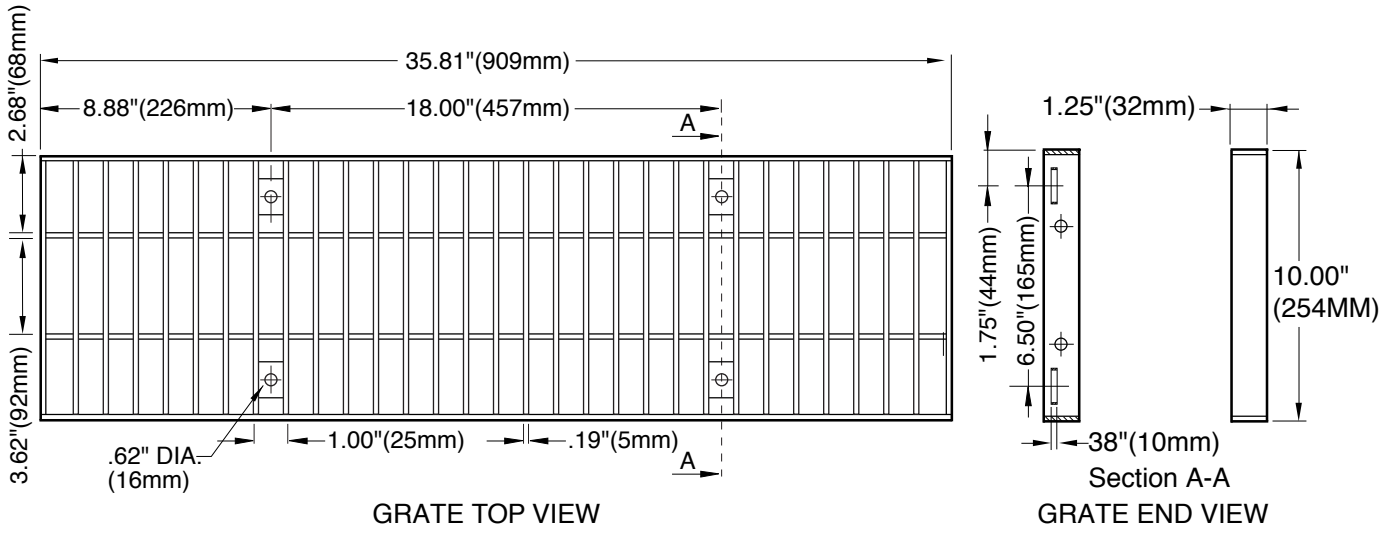
LOCATION

9812 SERIES STAINLESS STEEL BAR GRATE

"SPECIFICATION SHEET"

Heavy Duty, DIN 19580 Class C - 56,000 lbs - 1,162 psi
 For commercial pneumatic tire traffic patterns, forklifts and tractor trailers

Free Area-259.30 Sq. In.



REGULARLY FURNISHED:
 (Type 304) Stainless Steel Bar
 Grate (.19" Thick Bars) with
 End Band.



DRAWING NUMBER
9812-SSB

SIZE
A

SCALE:
NONE

DATE:
06/10/04

APPROVED BY:
PJ

CHECKED BY:
PJ

DRAWN BY:
JJ

9812-SSB

WE CAN ASSUME NO RESPONSIBILITY FOR USE OF SUPERSEDED OR VOID DATA

DIMENSIONS ARE SUBJECT TO MANUFACTURERS TOLERANCE AND CHANGE WITHOUT NOTICE

FIGURE NUMBER	A	8-22-05	Revised Load Class	TBW	PJ	WEIGHT POUNDS	VOLUME CUBIC FEET	FIGURE NUMBER
	REV.	DATE	DESCRIPTION	BY	CKD. BY			9812-SSB