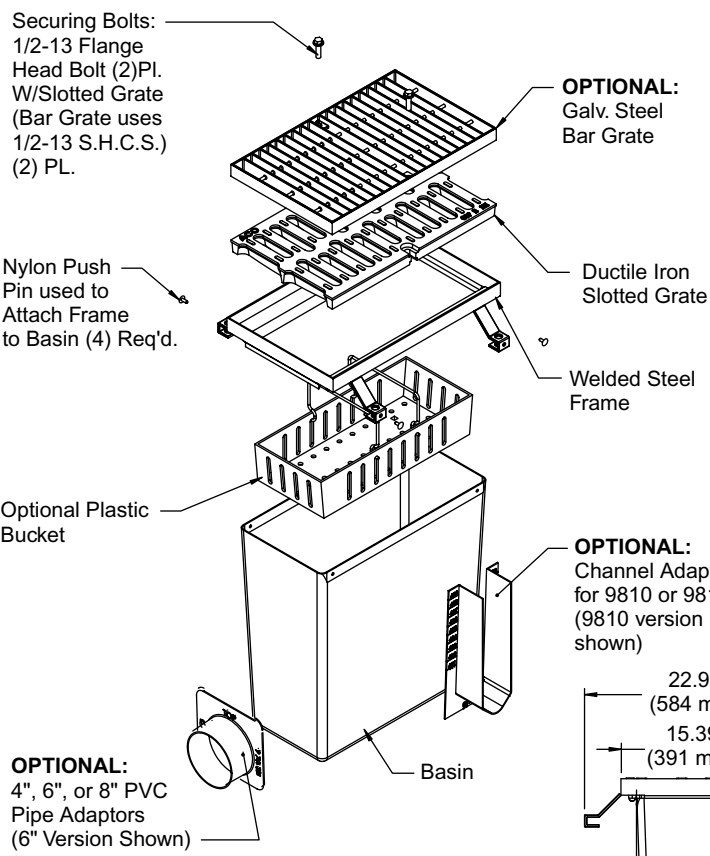


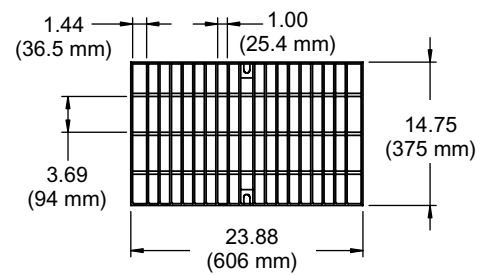
# FIBERGLASS CATCH BASIN

DRAWING NUMBER: **a9812-CB12**  
 SIZE: **A**  
 SCALE: **NONE**  
 DATE: **11-21-96**  
 APPROVED BY: **PACE**  
 CHECKED BY: **PACE**  
 DRAWN BY: **EMB**  
**9812-660-CB12**  
 FIGURE NUMBER

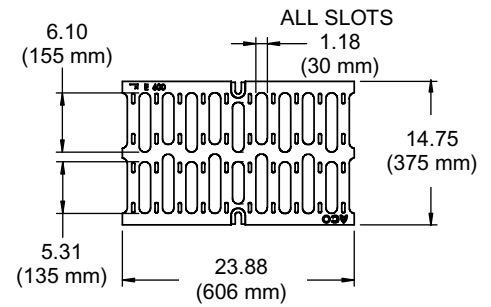
WE CAN ASSUME NO RESPONSIBILITY FOR USE OF SUPERSEDED OR VOID DATA  
 DIMENSIONS ARE SUBJECT TO MANUFACTURERS TOLERANCE AND CHANGE WITHOUT NOTICE



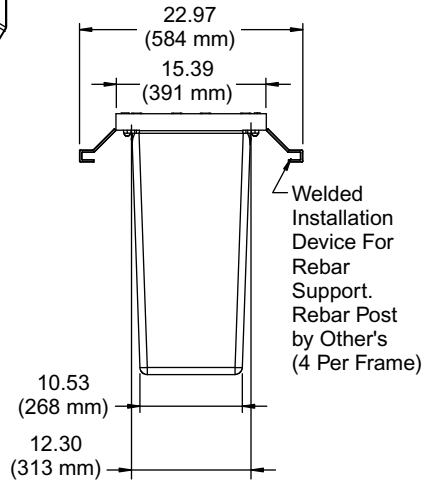
**EXPLODED ASSEMBLY DETAIL**



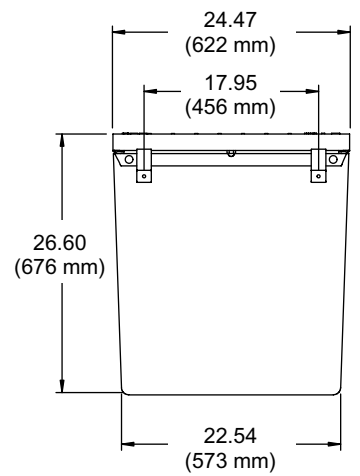
**Galvanized Steel Grate Detail**



**Ductile Iron Grate Detail**



**SIDE VIEW**



**FRONT VIEW**

**REGULARLY FURNISHED:**  
 Polyester Resin Fiberglass Catch Basin with Duco Coated Steel Frame and Secured Ductile Iron Slotted Grate. Load Class "E" Traffic

**OPTIONAL MATERIALS:**  
 Vinylester Resin

- VARIATIONS:**
- Galvanized Steel Frame
  - 304 Stainless Frame
  - Galvanized Steel Bar Grate
  - Stainless Steel Bar Grate
  - Plastic Trash Bucket
  - 4" PVC SCH. 40 Pipe Adaptor
  - 6" PVC SCH. 40 Pipe Adaptor
  - 8" PVC SCH. 40 Pipe Adaptor
  - 9810 Channel/Catch Basin Adaptor
  - 9812 Channel/Catch Basin Adaptor



E	8-16-04	Revised Dwg.	RN				
D	9/5/02	Added New ACO Logo	RN	PJ	WEIGHT	VOLUME	FIGURE NUMBER
C	06/27/01	Added Ductile Grate	JJ	PJ	POUNDS	CUBIC FEET	9812-660-CB12
B	9-24-97	Changed Dwg Number	EMB	PJ			
A	12-30-96	Revised (MM) Equivalents	EMB	MSM			
REV.	DATE	DESCRIPTION	BY	CKD. BY			