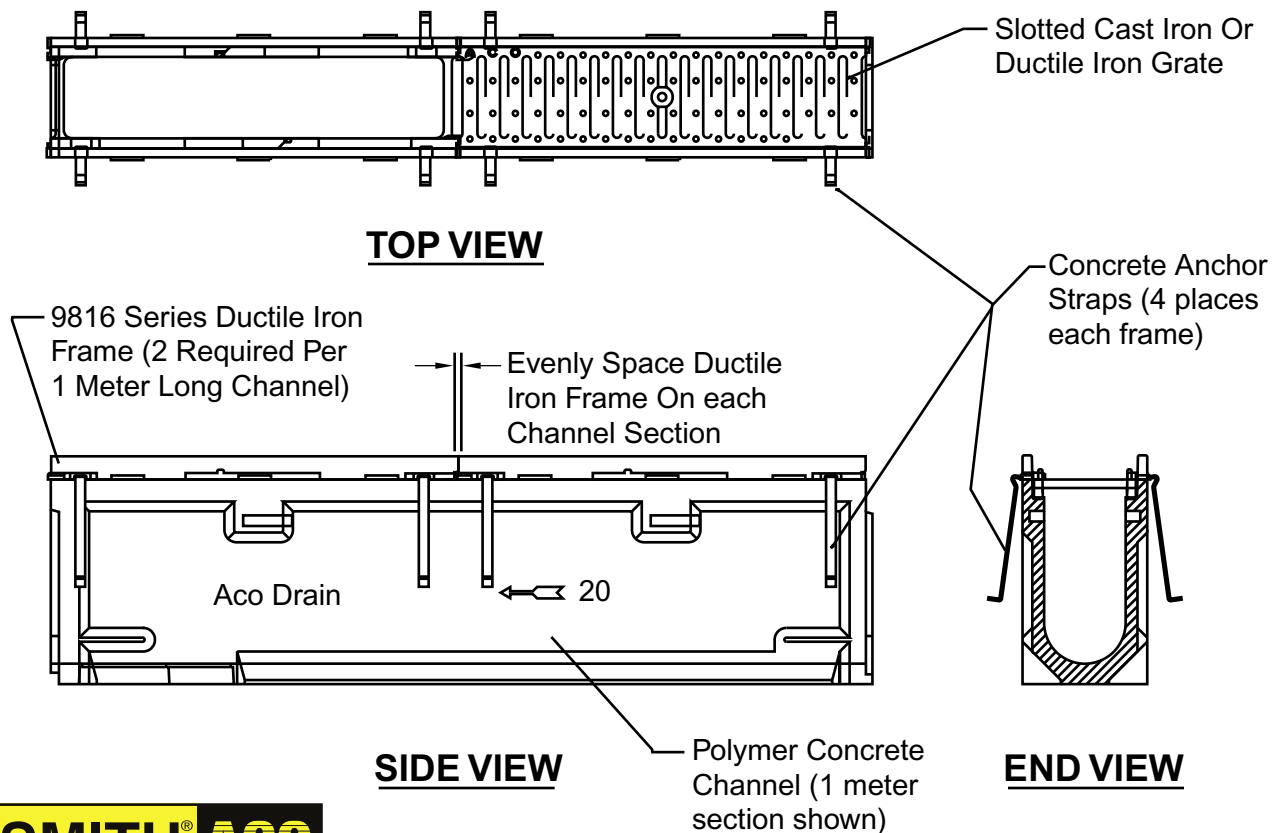


NOTICE:

PLEASE REVIEW THE 9816 SERIES FRAME ASSEMBLY DETAIL BELOW AND THE SMITH/ACO TRENCH DRAIN INSTALLATION GUIDE BEFORE ASSEMBLING THE DUCTILE IRON FRAMES TO THE CHANNEL SECTIONS.

Each one (1) meter long channel section requires two (2) ductile frames with four (4) concrete anchor straps per frame, and must be assembled equally spaced on each channel section and SECURED with the locking device. If plywood is used in place of the cast iron or ductile iron grates, SECURE it with the locking devices to the channel. This will prevent the ductile frames from repositioning or shifting during the concrete pouring phase of the installation. The concrete anchoring devices will help prevent the ductile frames from shifting after the installation.



SMITH[®] ACO
Trench Drain Series