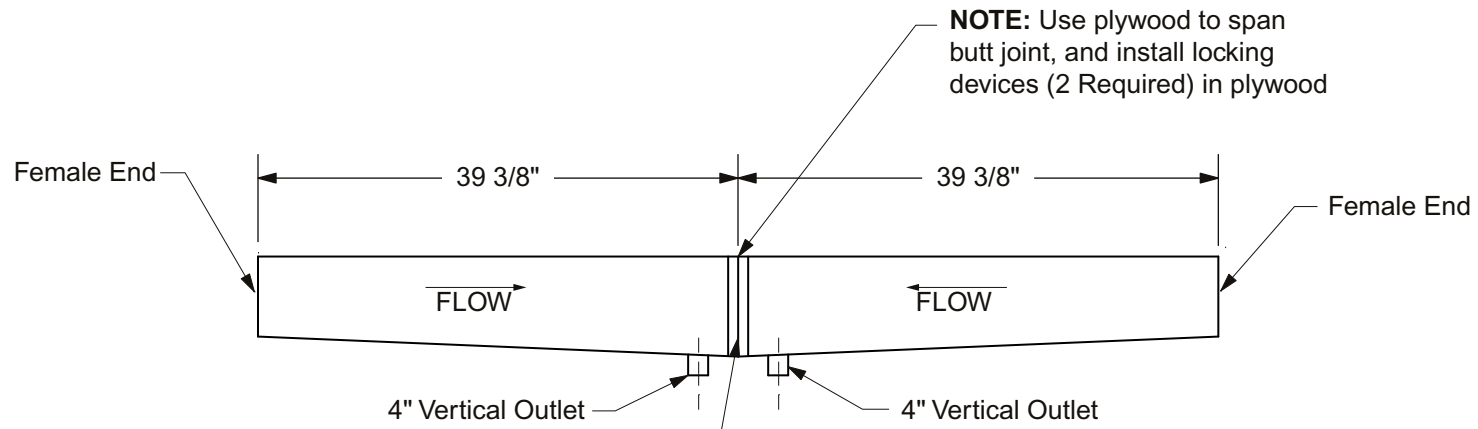
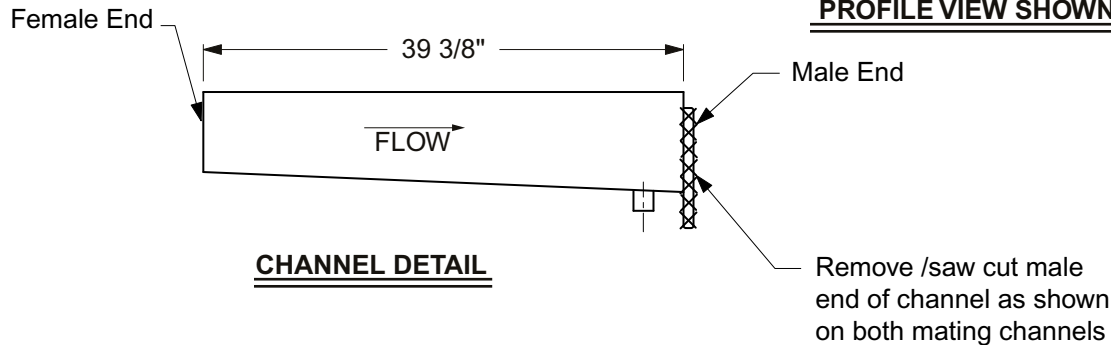


# DOUBLE MALE CONNECTION FABRICATION DETAIL



Butt male end of channels together and seal with Chem-Caulk 900. Use (4) self tapping screws to be installed in flange where deep end of channels meet

## PROFILE VIEW SHOWN



**NOTE:** Mating Channels are required to be the same Number

**Example -**

