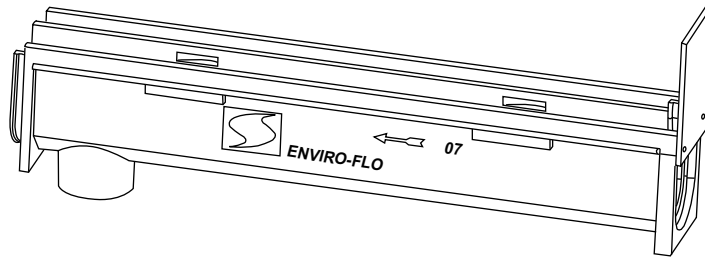


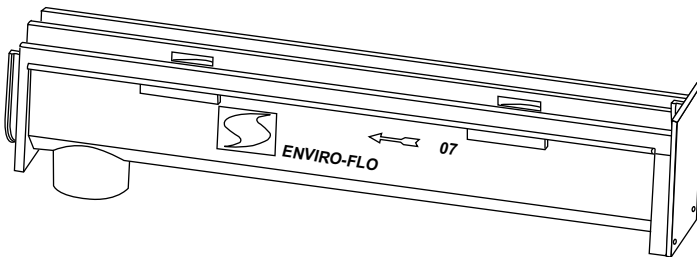
(1) Insert shallow end cap into Channel from top so the top edges match.

(2) Secure shallow end cap to Channel with (2) securing screws provided.

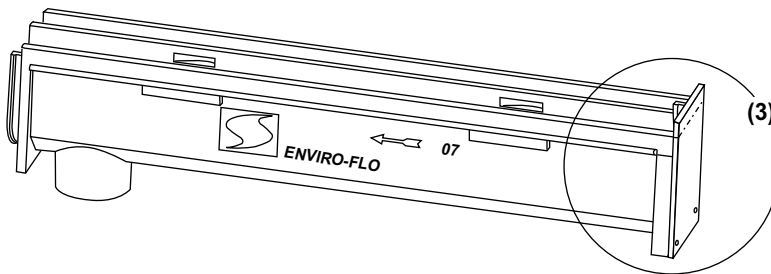
### "ASSEMBLY FOR CHANNEL #15 ONLY"



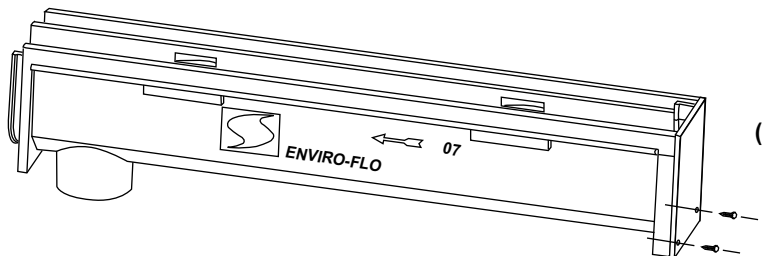
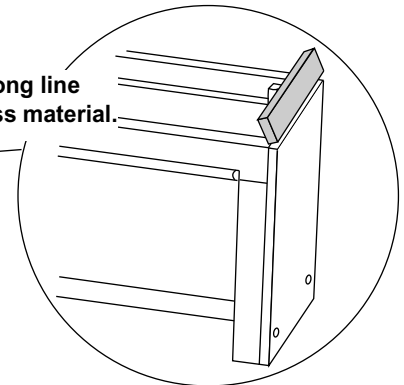
(1) Insert shallow end cap into Channel from top until it seats in the bottom.



(2) Draw a line where the top edge of the Channel and the shallow end cap intersect.



(3) Trim/Saw cut along line and scrap excess material.



(4) Secure shallow end cap to channel with (2) securing screws provided.

### "ASSEMBLY FOR CHANNEL #1 THRU #14 ONLY"