

A



JAY R. SMITH MFG. CO.
 DIVISION OF SMITH INDUSTRIES, INC.
 POST OFFICE BOX 3237
 MONTGOMERY, ALABAMA 36109-0237 (USA)
 TEL: 334-277-8520 FAX: 334-272-7396 www.jrsmith.com



LOCATION

DRAWING NUMBER
SSQ-2-3430-12_15

SIZE
A

SCALE:
NONE

DATE:
01/13/05

APPROVED BY:
JM

CHECKED BY:
JM

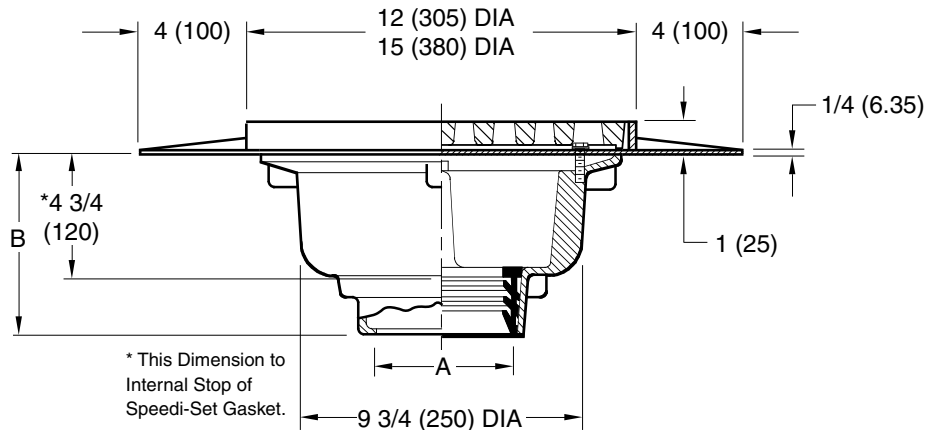
DRAWN BY:
JJ

SQ-2-3430-12
SQ-2-3430-15

WE CAN ASSUME NO RESPONSIBILITY FOR USE OF SUPERSEDED OR VOID DATA

PARKING DECK DRAIN FOR PRECAST SLABS

Jay R. Smith SQ-2-3430-12 or SQ-2-3430-15 Duco-coated Parking Deck Drain with Integral Deck Flange, Round Top with Secured Ductile Iron Grate and No-Hub Outlet.



* This Dimension to Internal Stop of Speedi-Set Gasket.

Fig. SQ-2-3430-12, Free Area 41 SQ IN
 Fig. SQ-2-3430-15, Free Area 61 SQ IN

NOTE: No-Hub Outlet Regularly Furnished

A SIZE	02 (50)	03 (75)	04 (100)	05 (125)	06 (150)
B	6 (150) for Caulk, NO-HUB and Speedi-Set (push-on), 4 3/4 (120) for Threaded				

OUTLET TYPES	
<input type="checkbox"/>	-Y..... NO-HUB (Regularly Furnished)
<input type="checkbox"/>	-T..... Threaded
<input type="checkbox"/>	-C..... Inside Caulk
<input type="checkbox"/>	-L..... Push-on (Gasketed)(Specify SW or XH)

REGULARLY FURNISHED:
 Duco Cast Iron Body with Wide Deck Flange, Secured Heavy Duty Ductile Iron Grate and No-Hub Outlet.

VARIATIONS:

- Dome Bottom Strainer -DBS
- Sediment Bucket -B
- Vandal Proof Screws -U
- Underdeck Clamp -UDC

OPTIONAL MATERIALS:
 Galvanized -G

NOTE: Dimensions shown in parentheses are in millimeters.

FIGURE NUMBER

A	3-4-05	Added Free Area	TBW	JM
REV.	DATE	DESCRIPTION	BY	CKD. BY

WEIGHT POUNDS

VOLUME CUBIC FEET

FIGURE NUMBER

SQ-2-3430-12
SQ-2-3430-15