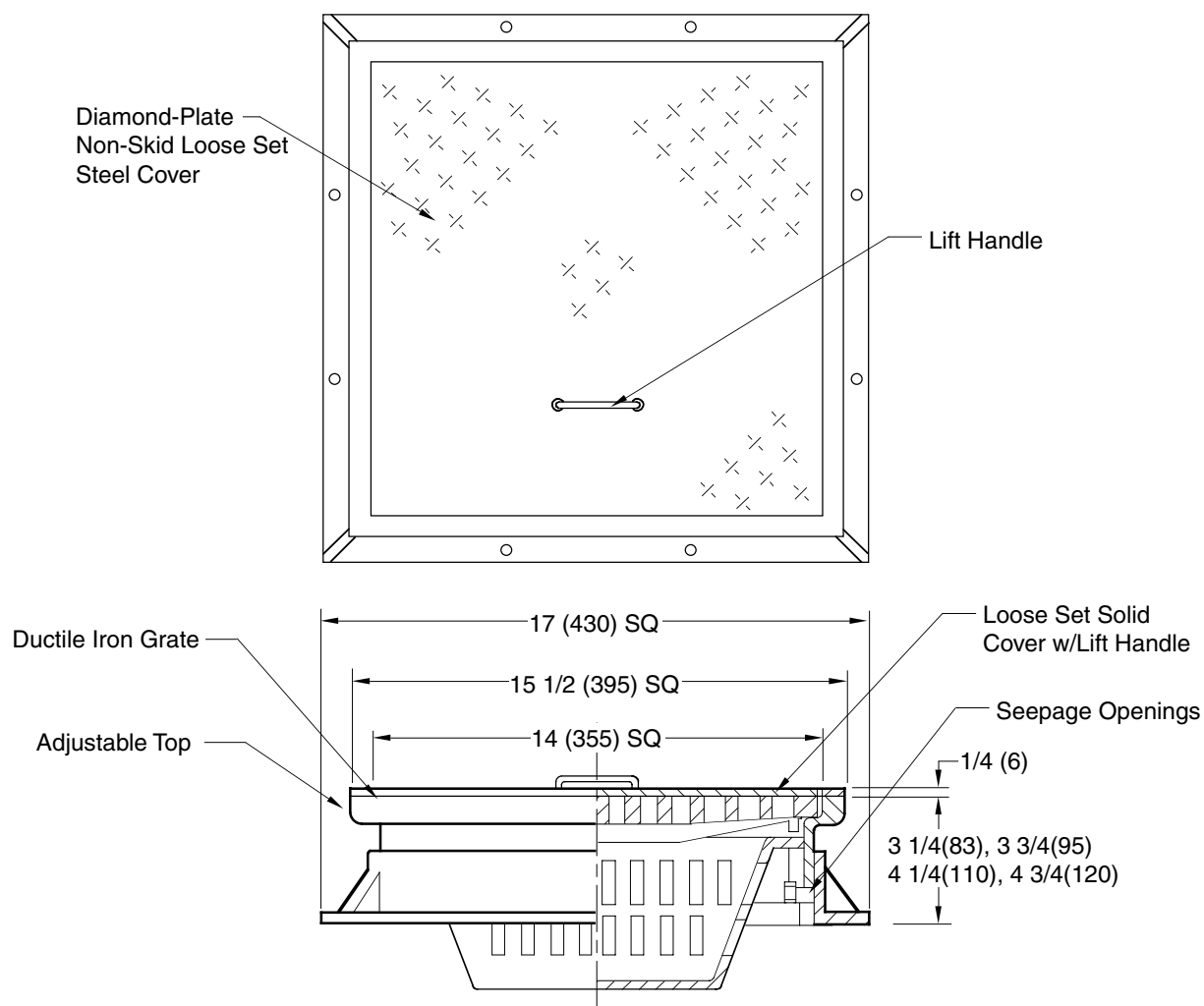


DUMPSTER PAD DRAIN GRATE & SEDIMENT BUCKET



REGULARLY FURNISHED:
 Duco Coated Cast Iron Adjustable Frame, Loose Set Ductile Iron Grate and Suspended Cast Iron Sediment Bucket with Loose Set Solid Non-Skid Steel Cover with Lift Handle.

NOTE: Dimensions shown in parentheses are in millimeters.

DRAWING NUMBER: **SSQ-2-2289**
 SIZE: **A**
 SCALE: **NONE**
 DATE: **3-25-99**
 APPROVED BY: **CS**
 CHECKED BY: **JCS**
 DRAWN BY: **CMD**
SQ-2-2289
 DIMENSIONS ARE SUBJECT TO MANUFACTURERS TOLERANCE AND CHANGE WITHOUT NOTICE

WE CAN ASSUME NO RESPONSIBILITY FOR USE OF SUPERSEDED OR VOID DATA

REV.	DATE	DESCRIPTION	BY	CKD. BY	WEIGHT POUNDS	VOLUME CUBIC FEET	FIGURE NUMBER SQ-2-2289
A	6-8-99	Revised Dwg.	BW	JCS			