



JAY R. SMITH MFG. CO.
 DIVISION OF SMITH INDUSTRIES, INC.
 POST OFFICE BOX 3237
 MONTGOMERY, ALABAMA 36109-0237 (USA)
 TEL: 334-277-8520 FAX: 334-272-7396 www.jrsmith.com

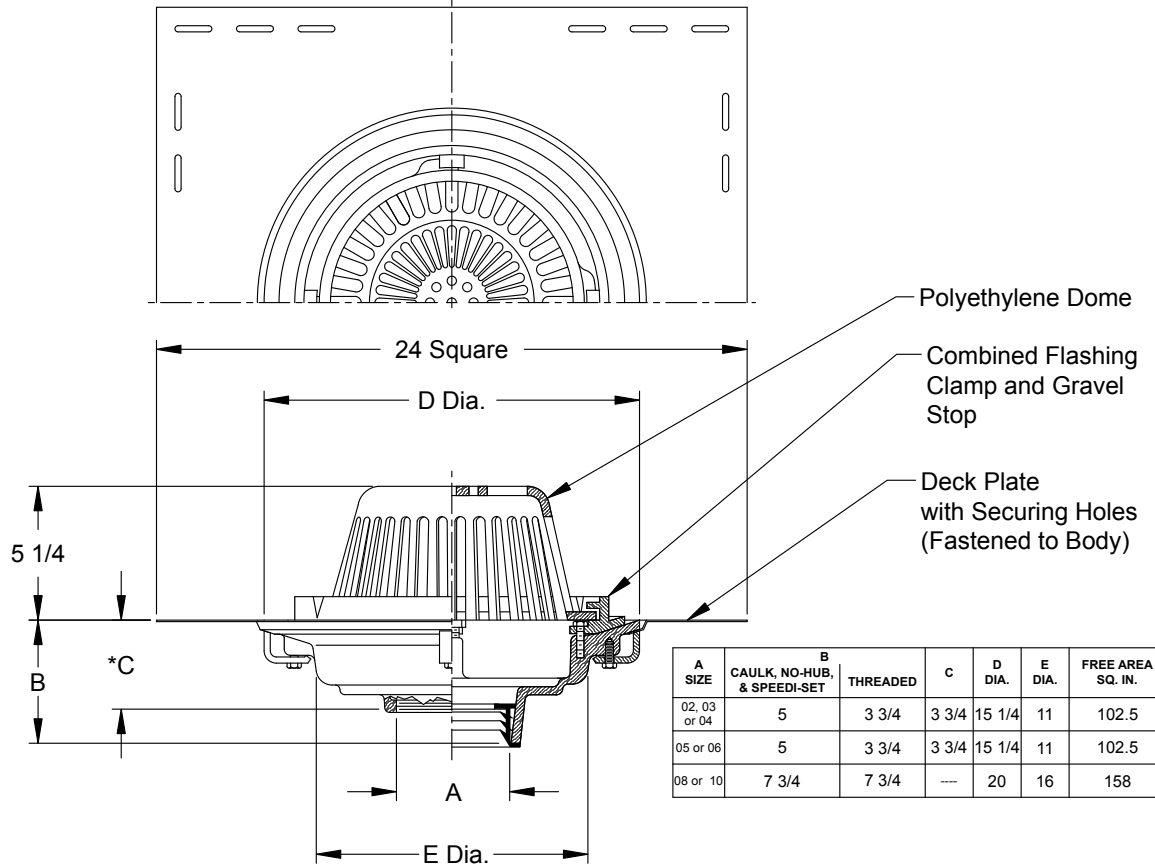


LOCATION

SPECIAL PURPOSE ROOF DRAIN

LOW PROFILE DOME WITH DECK FLANGE

FUNCTION: Used in flat roof of any construction. Large low profile dome provides sufficient free area for quick drainage of rain water and protects the drain sump and connected piping from the intrusion of debris. Attached wide deck plate has securing holes enabling drain to be secured to the roof deck from the top surface of the roof.



A SIZE	B CAULK, NO-HUB, & SPEEDI-SET	THREADED	C	D DIA.	E DIA.	FREE AREA SQ. IN.
02, 03 or 04	5	3 3/4	3 3/4	15 1/4	11	102.5
05 or 06	5	3 3/4	3 3/4	15 1/4	11	102.5
08 or 10	7 3/4	7 3/4	---	20	16	158

Fig. SQ-1-3056YNO HUB OUTLET
 Fig. SQ-1-3056C.....CAULK OUTLET

REGULARLY FURNISHED:

Duco Cast Iron body with Attached Deck Plate with Securing Holes in Deck Plate, Combined Flashing Clamp and Gravel Stop with Polyethylene Dome.

* This Dimension to Internal Stop of Speedi-Set Gasket.

VARIATIONS:

- L Speedi-Set Service Weight Outlet Conn. (02, 03, and 04 Sizes Only)
- LXH Speedi-Set Extra Heavy Duty Outlet Conn. (02, 03, and 04 Sizes Only)
- T Threaded Outlet Conn. Extension (Specify Height) -E
- Secondary Flashing Clamp -C2
- Vandal Proof Dome -U

OPTIONAL MATERIALS:

- Aluminum Dome -AD
- Cast Iron Dome -CID
- Galvanized Cast Iron Dome -CIDG
- Galvanized Cast Iron Body & Collar -G
- Rough Bronze Dome -RBD
- Stainless Steel (Specify Fig. 9780)

DRAWING NUMBER: SSQ-1-3056
 SIZE: A
 SCALE: NONE
 DATE: 04-10-2003
 APPROVED BY: CR
 CHECKED BY: CR
 DRAWN BY: CR
 FIGURE NUMBER: **SQ-1-3056**
 DIMENSIONS ARE SUBJECT TO MANUFACTURERS TOLERANCE AND CHANGE WITHOUT NOTICE
 WE CAN ASSUME NO RESPONSIBILITY FOR USE OF SUPERSEDED OR VOID DATA

REV.	DATE	DESCRIPTION	BY	CKD. BY

WEIGHT POUNDS	VOLUME CUBIC FEET

FIGURE NUMBER
SQ-1-3056