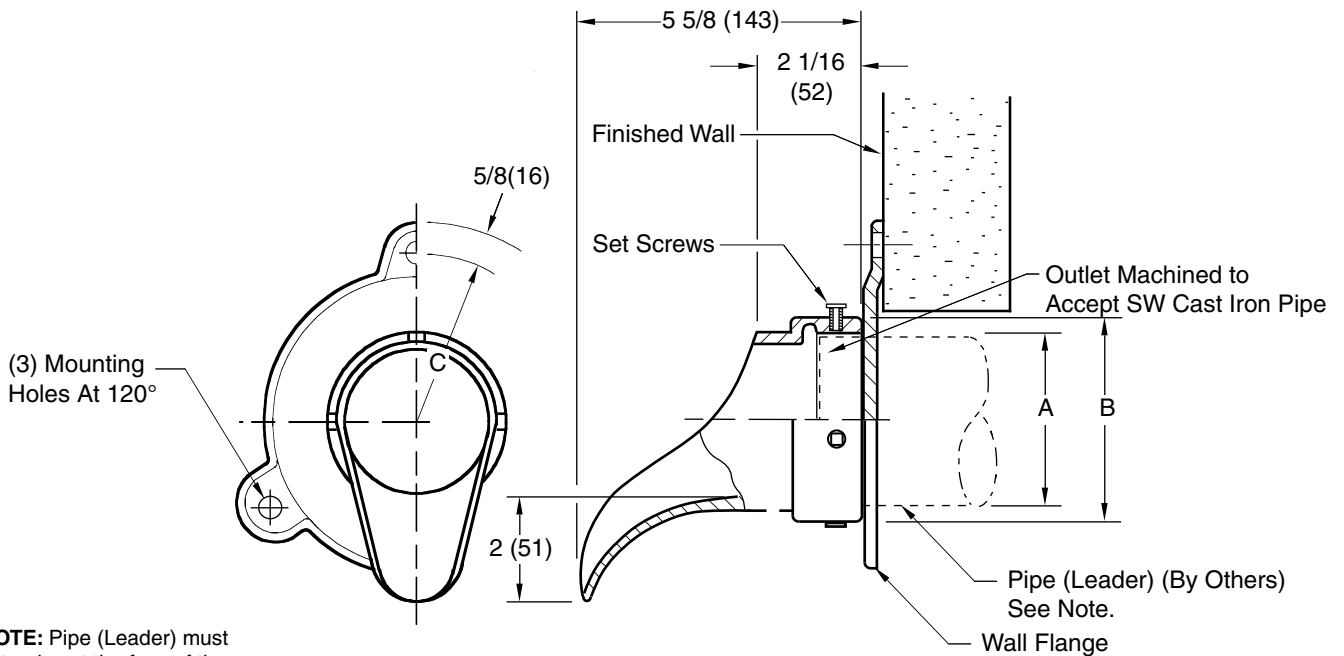




# ROOF ACCESSORY

## DOWNSPOUT NOZZLE

**FUNCTION:** Used as a parapet overflow or at the base of a wall where a concealed leader discharges rainwater to ground. Nozzle design diverts water away from building, eliminating wall stains. Wall flange covers rough opening.



**NOTE:** Pipe (Leader) must extend past the face of the finished wall in order to install the wall flange and attach the downspout nozzle. Dimension shall be field determined by installer.

Fig. SQ-1-2810

<b>A=</b>	2 7/16 (62)	3 7/16 (87)	4 7/16 (113)	5 7/16 (138)	6 7/16 (164)	8 9/16 (217)	10 11/16 (271)
<b>B=DIA</b>	2 3/4 (70)	4 (100)	5 (125)	6 (150)	7 1/4 (185)	9 1/4 (235)	11 1/8 (283)
<b>C=RAD</b>	2 3/4 (70)	3 1/2 (89)	3 7/8 (98)	4 3/8 (111)	5 (125)	5 7/8 (149)	7 1/4 (185)

**NOTE:** Dimensions shown in parentheses are in millimeters.

**REGULARLY FURNISHED:**  
 Cast Bronze Body and Flange with Modified Nozzle to Accept Service Weight Cast Iron Pipe.

**OPTIONAL MATERIALS:**

- Nickel Bronze -NB
- Polished Bronze -PB

**VARIATIONS:**

- Bird Screen-BS

DRAWING NUMBER  
SQ-1-2810

SIZE  
A

SCALE:  
NONE

DATE:  
01-04-02

APPROVED BY:  
ECW

CHECKED BY:  
CR

DRAWN BY:  
RN

**SQ-1-2810**

WE CAN ASSUME NO RESPONSIBILITY FOR USE OF SUPERSEDED OR VOID DATA

DIMENSIONS ARE SUBJECT TO MANUFACTURERS TOLERANCE AND CHANGE WITHOUT NOTICE

<b>A</b>	<b>06/07/02</b>	<b>Relocated Position of Wall Flange</b>	<b>JJ</b>	<b>McD</b>
REV.	DATE	DESCRIPTION	BY	CKD. BY

WEIGHT  
POUNDS

VOLUME  
CUBIC FEET

**FIGURE NUMBER**  
**SQ-1-2810**