

F



JAY R. SMITH MFG. CO.
 DIVISION OF SMITH INDUSTRIES, INC.
 POST OFFICE BOX 3237
 MONTGOMERY, ALABAMA 36109-0237 (USA)
 TEL: 334-277-8520 FAX: 334-272-7396 www.jrsmith.com



MEMBER OF:



LOCATION

DRAWING NUMBER
S6412

SIZE
A

SCALE:
NONE

DATE:
4-7-83

APPROVED BY:
SJM

CHECKED BY:
DT

DRAWN BY:
BS

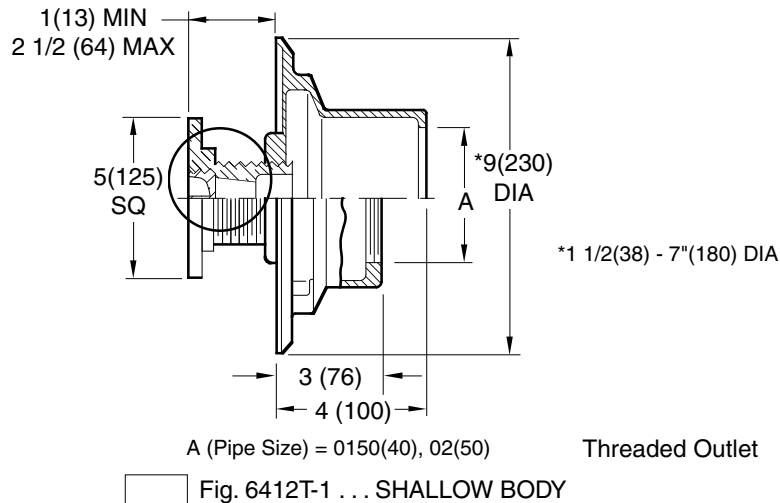
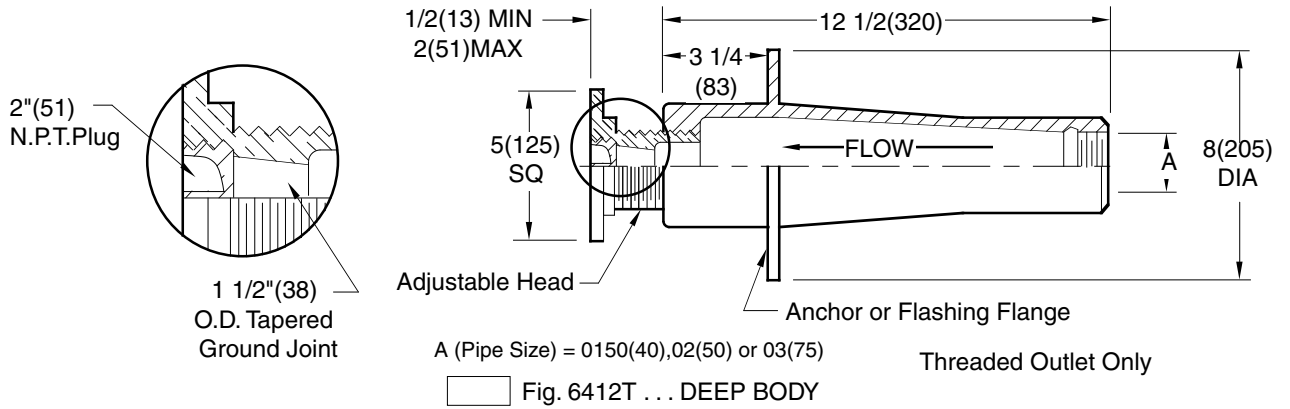
FIGURE NUMBER
6412/6412-1

WE CAN ASSUME NO RESPONSIBILITY FOR USE OF SUPERSEDED OR VOID DATA

DIMENSIONS ARE SUBJECT TO MANUFACTURERS TOLERANCE AND CHANGE WITHOUT NOTICE

VACUUM CLEANING FITTING

FUNCTION: Spaced at specific intervals in side walls and connected to a vacuum system. Portable vacuum hose is inserted in tapered ground joint provided in head. During periods of non-use a flush threaded plug is inserted in head. Unique design has provision for using a tapered ground joint or threaded hose connection.



REGULARLY FURNISHED:
 Duco Cast Iron Body with Adjustable
 Chrome Plated Bronze Head with
 2"(51) N.P.T. Plug.

- VARIATIONS:**
- Flashing Clamp -C
 - 2"(51) O.D. Tapered Ground Joint
 - C Caulk Outlet (Fig. 6412-1 Only)
 - Y NO-HUB Outlet (Fig. 6412-1 Only)

- OPTIONAL MATERIALS:**
- Galvanized Cast Iron -G
 - Nickel Bronze Head -NB
 - Polished Bronze Head -PB

NOTE: This product does not conform to or meet the requirements of ASME Standard No. A112.19.8-2007, titled "Suction Fittings for Use in Swimming Pools, Wading Pools, Spas, and Hot Tubs." This product shall not be used in any installation in swimming pools, wading pools, spas, hot tubs as well as other aquatic facilities. Due to the potential endangerment from arduous and forceful suction, entrapment or entanglement regardless of whether it is hair, head, limbs or other body parts, this product is prohibited from installation in these applications.

NOTE: Dimensions shown in parentheses are in millimeters.

F	1/5/09	Revised Function	RN	CL	WEIGHT POUNDS	VOLUME CUBIC FEET	FIGURE NUMBER 6412/6412-1
E	12/17/08	Revised Pipe Size	RN	CL			
D	12/08/08	Revised Variations	RN	CL			
C	11/20/08	Added ASME Note	JJ	CL			
REV.	DATE	DESCRIPTION	BY	CKD. BY			