

F



**JAY R. SMITH MFG. CO.®**  
 DIVISION OF SMITH INDUSTRIES, INC.  
 POST OFFICE BOX 3237  
 MONTGOMERY, ALABAMA 36109-0237 (USA)  
 TEL: 334-277-8520 FAX: 334-272-7396 www.jrsmith.com



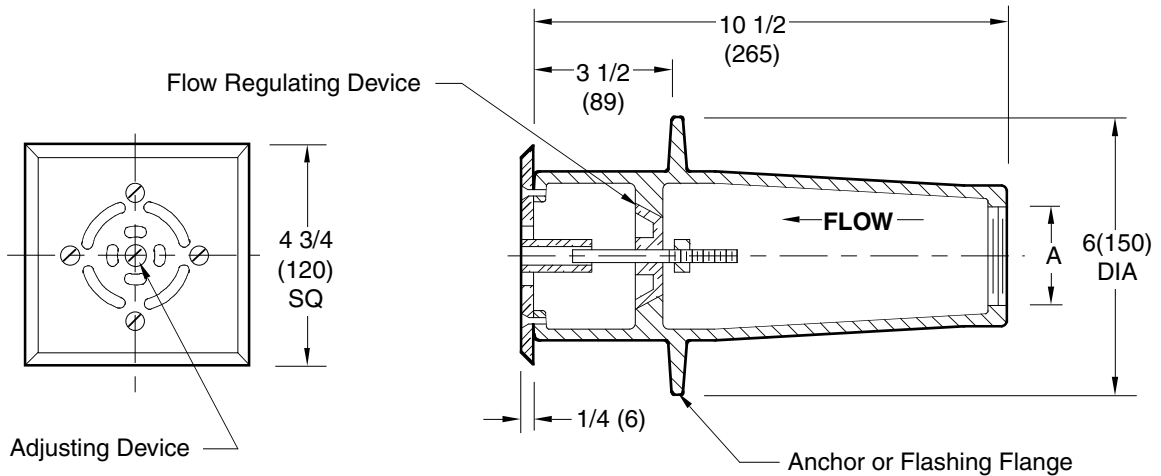
MEMBER OF:

LOCATION

# ADJUSTABLE RECIRCULATING FITTINGS

**FUNCTION:** Used as an inlet fitting in finished wall. Face-of-wall plate design fits flush with finished tile wall. Flow is controlled by plug type bronze control valve which may be regulated from face of strainer.

Free Area  
 1.8 SQ IN  
 (12) SQ CM



A (Pipe Size) = 0150(40), 02(50) or 03(75)

Fig. 6130T ... THREADED INLET ONLY

**REGULARLY FURNISHED:**

Duco Cast Iron Body with Secured Chrome Plated Bronze Face and Flow Regulating Device.

**VARIATIONS:**

- Flashing Clamp -C
- Vandal Proof Screws -U

**OPTIONAL MATERIALS:**

- Bronze Body -BB
- Galvanized Cast Iron -G
- Nickel Bronze Face -NB
- Polished Bronze Face -PB

**NOTE:** This product does not conform to or meet the requirements of ASME Standard No. A112.19.8-2007, titled "Suction Fittings for Use in Swimming Pools, Wading Pools, Spas, and Hot Tubs." This product shall not be used in any installation in swimming pools, wading pools, spas, hot tubs as well as other aquatic facilities. Due to the potential endangerment from arduous and forceful suction, entrapment or entanglement regardless of whether it is hair, head, limbs or other body parts, this product is prohibited from installation in these applications.

**NOTE:** Dimensions shown in parentheses are in millimeters.

DRAWING NUMBER  
S6130

SIZE  
A

SCALE:  
NONE

DATE:  
3-28-83

APPROVED BY:  
SJM

CHECKED BY:  
DT

DRAWN BY:  
BS

6130

FIGURE NUMBER

WE CAN ASSUME NO RESPONSIBILITY FOR USE OF SUPERSEDED OR VOID DATA

F	1/5/09	Revised Function & Heading	RN	CL	WEIGHT POUNDS	VOLUME CUBIC FEET	<b>FIGURE NUMBER</b>  <b>6130</b>
E	12/17/08	Revised Pipe Size	RN	CL			
D	12/08/08	Revised Variations	RN	CL			
C	11/20/08	Added ASME Note	JJ	CL			
REV.	DATE	DESCRIPTION	BY	CKD. BY			