

E



JAY R. SMITH MFG. CO.
 DIVISION OF SMITH INDUSTRIES, INC.
 POST OFFICE BOX 3237
 MONTGOMERY, ALABAMA 36109-0237 (USA)
 TEL: 334-277-8520 FAX: 334-272-7396 www.jrsmith.com

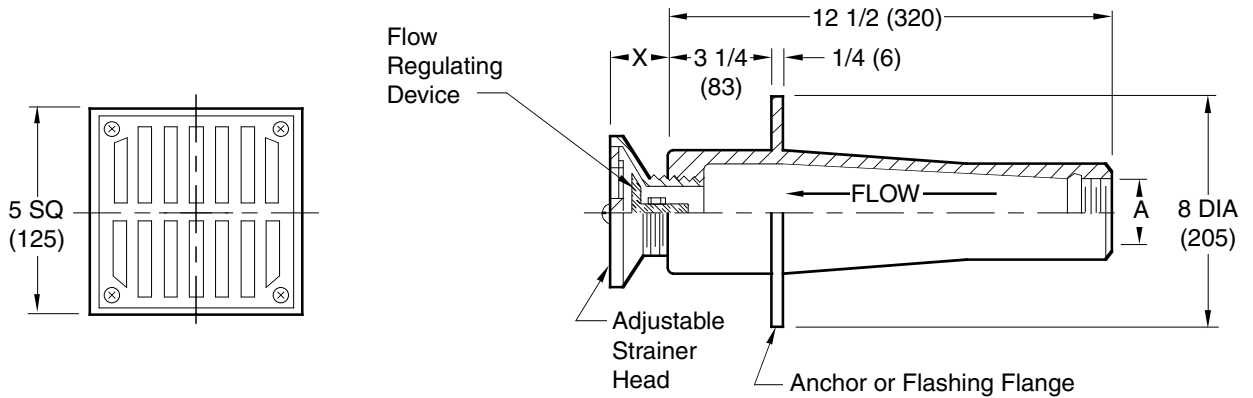


MEMBER OF:

LOCATION

ADJUSTABLE RECIRCULATING FITTINGS

FUNCTION: Used in side walls as an inlet fitting. Extra long body designed for placement in poured slab wall. Adjustable head with plug type flow regulating device can be adjusted to meet varying tile thicknesses.



□ Fig. 6106T ... THREADED INLET ONLY

A SIZE	MIN X MAX	Free Area
0150(40),02(50),03(75)	1(25) 2(51)	5.6 SQ IN (36) SQ CM

REGULARLY FURNISHED:

Duco Cast Iron Body with Secured
 Chrome Plated Bronze Face and
 Flow Regulating Device

VARIATIONS:

□ Flashing Clamp -C
 □ Vandal Proof Screws -U

OPTIONAL MATERIALS:

□ Galvanized Cast Iron -G
 □ Nickel Bronze Face -NB
 □ Polished Bronze Face -PB

NOTE: This product does not conform to or meet the requirements of ASME Standard No. A112.19.8-2007, titled "Suction Fittings for Use in Swimming Pools, Wading Pools, Spas, and Hot Tubs." This product shall not be used in any installation in swimming pools, wading pools, spas, hot tubs as well as other aquatic facilities. Due to the potential endangerment from arduous and forceful suction, entrapment or entanglement regardless of whether it is hair, head, limbs or other body parts, this product is prohibited from installation in these applications.

NOTE: Dimensions shown in parentheses are in millimeters.

DRAWING NUMBER
S6106SIZE
ASCALE:
NONEDATE:
3-25-83APPROVED BY:
SJMCHECKED BY:
DTDRAWN BY:
BS

6106

FIGURE
NUMBERWE CAN ASSUME NO RESPONSIBILITY FOR USE OF SUPERSEDED OR VOID DATA
DIMENSIONS ARE SUBJECT TO MANUFACTURERS TOLERANCE AND CHANGE WITHOUT NOTICE

E	1/5/09	Revised Function & Heading	RN	CL
D	12/17/08	Revised Chart	RN	CL
C	12/08/08	Revised Variations	RN	CL
B	11/20/08	Added ASME Note	JJ	CL
REV.	DATE	DESCRIPTION	BY	CKD. BY

WEIGHT POUNDS	VOLUME CUBIC FEET

FIGURE NUMBER

6106