

H



JAY R. SMITH MFG. CO.
 DIVISION OF SMITH INDUSTRIES, INC.
 POST OFFICE BOX 3237
 MONTGOMERY, ALABAMA 36109-0237 (USA)
 TEL: 334-277-8520 FAX: 334-272-7396 www.jrsmith.com



LOCATION

DRAWING NUMBER
S6070

SIZE
A

SCALE:
NONE

DATE:
7-25-85

APPROVED BY:
KG

CHECKED BY:
CR

DRAWN BY:
CM

6070

WE CAN ASSUME NO RESPONSIBILITY FOR USE OF SUPERSEDED OR VOID DATA

DIMENSIONS ARE SUBJECT TO MANUFACTURERS TOLERANCE AND CHANGE WITHOUT NOTICE

SPECIAL PURPOSE DRAIN

LARGE CAPACITY - SIDE OUTLET

FUNCTION: When large grate free area is required for accelerated drainage.

Free Area
 208.50 SQ IN
 (1345) SQ CM

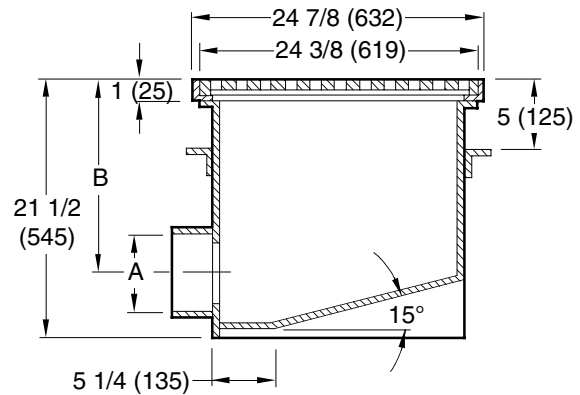
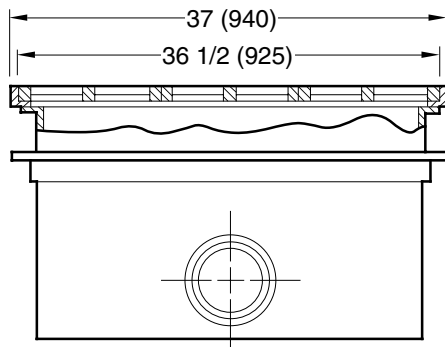


Fig. 6070C ... CAULK OUTLET

A SIZE	"B" CAULK	"B" NO-HUB
06 (150)	17.53 (445)	17.85 (453)
08 (200)	16.38 (416)	16.81 (427)
10 (255)	15.31 (389)	15.72 (399)
12 (305)	14.25 (360)	NOT AVAIL

REGULARLY FURNISHED:

Fabricated Stainless Steel Body and Frame with Chrome Plated Bronze Loose Set Grates.

VARIATIONS:

- Removable Stainless Steel Screen
- Secured Grate -SG
- Secured Grate with Vandal Screws -U
- Y NO-HUB Outlet 06(150), 08(200) & 10(255) only

OPTIONAL MATERIALS:

- Duco Cast Iron Grates -CI
- Galvanized Fabricated Steel Body -G
- Nickel Bronze Top -NB
- Polished Bronze Top -PB

NOTE: This product does not conform to or meet the requirements of ASME Standard No. A112.19.8-2007, titled "Suction Fittings for Use in Swimming Pools, Wading Pools, Spas, and Hot Tubs." This product shall not be used in any installation in swimming pools, wading pools, spas, hot tubs as well as other aquatic facilities. Due to the potential endangerment from arduous and forceful suction, entrapment or entanglement regardless of whether it is hair, head, limbs or other body parts, this product is prohibited from installation in these applications.

NOTE: Dimensions shown in parentheses are in millimeters.

REV.	DATE	DESCRIPTION	BY	CKD. BY	WEIGHT POUNDS	VOLUME CUBIC FEET	FIGURE NUMBER
H G F	12/08/08 11/20/08 1-31-97	Revised Variations Added ASME Note Chg'd Reg Furn & Opt Mat	RN JJ EMB	CL CL BS			6070