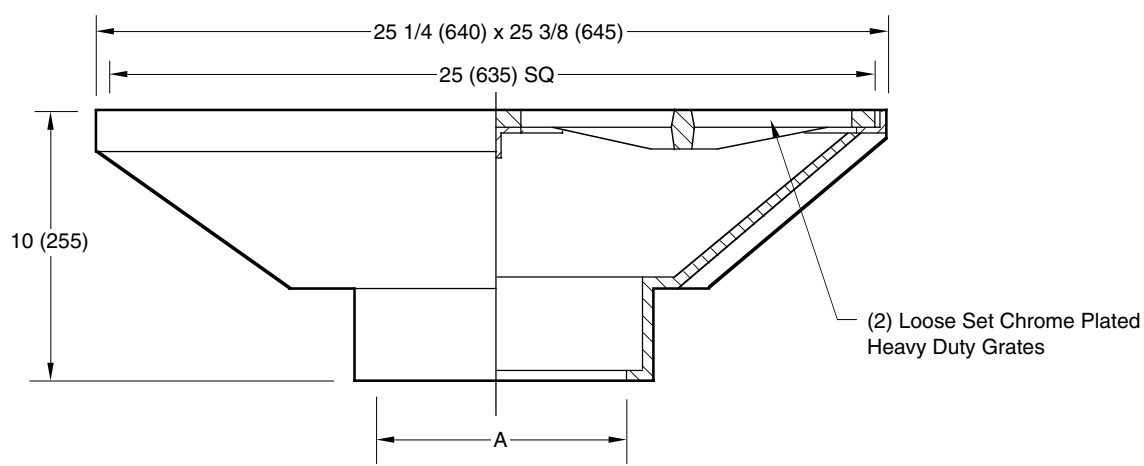


# SPECIAL PURPOSE DRAIN

## LARGE CAPACITY - BOTTOM OUTLET

**FUNCTION:** When large grate free area is required for accelerated drainage.

Free Area  
 296 SQ IN  
 (1910) SQ CM



A (Pipe Size) = 04(100), 05(125), 06(150) or 08(200)

Fig. 6050C... CAULK OUTLET

**REGULARLY FURNISHED:**  
 Fabricated Stainless Steel Body and Frame with Loose Set Chrome Plated Bronze Grates.

- VARIATIONS:**
- Perforated Bucket -B
  - Secured Grate -SG
  - Secured Grate with Vandal Proof Screws -U
  - T Threaded Outlet

- OPTIONAL MATERIALS:**
- Duco Cast Iron Top -CI
  - Galvanized Fabricated Steel Body -G
  - Nickel Bronze Top -NB
  - Polished Bronze Top -PB

**NOTE:** This product does not conform to or meet the requirements of ASME Standard No. A112.19.8-2007, titled "Suction Fittings for Use in Swimming Pools, Wading Pools, Spas, and Hot Tubs." This product shall not be used in any installation in swimming pools, wading pools, spas, hot tubs as well as other aquatic facilities. Due to the potential endangerment from arduous and forceful suction, entrapment or entanglement regardless of whether it is hair, head, limbs or other body parts, this product is prohibited from installation in these applications.

**NOTE:** Dimensions shown in parentheses are in millimeters.

FIGURE NUMBER **6050**  
 DRAWN BY: **CMB**  
 CHECKED BY: **BS**  
 APPROVED BY: **TD**  
 DATE: **1-12-88**  
 SCALE: **NONE**  
 SIZE: **A**  
 DRAWING NUMBER **S6050**  
 K

DIMENSIONS ARE SUBJECT TO MANUFACTURERS TOLERANCE AND CHANGE WITHOUT NOTICE  
 WE CAN ASSUME NO RESPONSIBILITY FOR USE OF SUPERSEDED OR VOID DATA

REV.	DATE	DESCRIPTION	BY	CKD. BY	WEIGHT POUNDS	VOLUME CUBIC FEET	<b>FIGURE NUMBER</b>  <b>6050</b>
K	12/16/08	Revised Function	RN	CL			
J	12/05/08	Revised Function & Variations	RN	RN			
H	11/20/08	Added ASME Note	JJ	CL			
F	1-31-97	Chg Reg Furn & Opt Mat	EMB	BS			