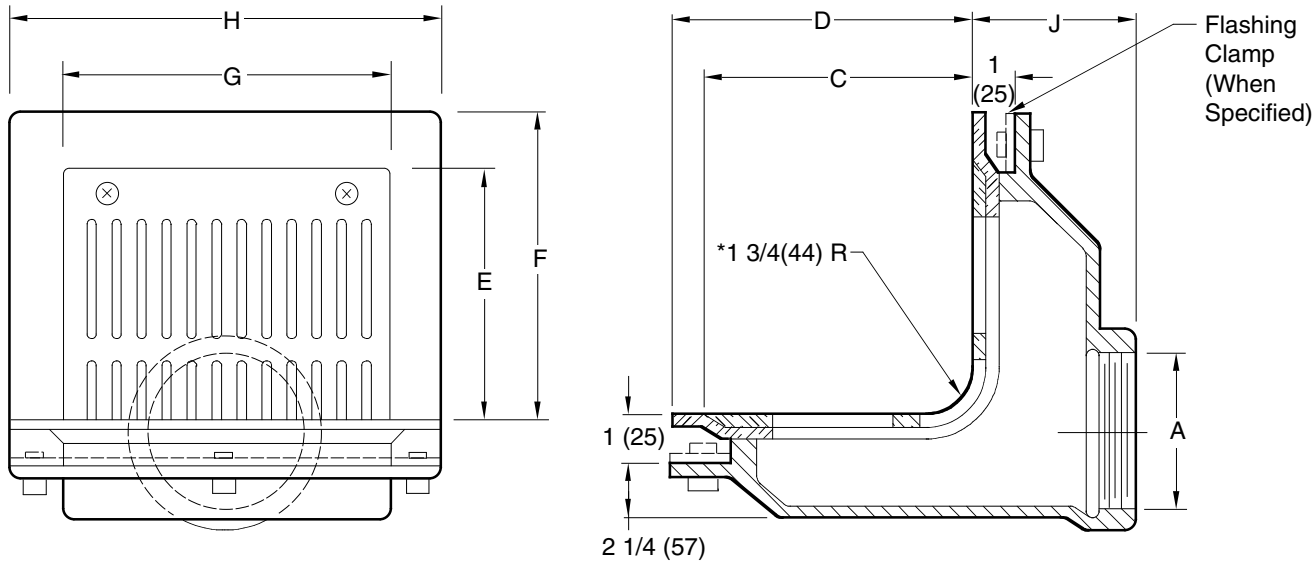


SPECIAL PURPOSE PIT/SUMP DRAINS

REVERSIBLE ANGLE DRAIN

FUNCTION: Provides complete drainage of low areas in sumps and pits. Angle type design of grate makes this drain reversible, so that it can be used for either a bottom or side outlet installation. Fig. 6048 has a grate and frame with a 5" (125) radius.



- Fig. 6040T ... Threaded Outlet Only
- Fig. 6045T ... Threaded Outlet Only
- Fig. 6048T ... Threaded Outlet Only

Fig. No.	A Size	C	D	E	F	G	H	J	Free Area
6040	02(50),03(75),04(100)	4 1/2(115)	5(125)	4 1/2(115)	5(125)	6 1/2(165)	7 1/2(190)	3 1/4(83)	13 SQ IN (84) SQ CM
6045	04(100), 05(125), 06(150)	8 1/2(215)	9(230)	8 1/2(215)	9(230)	10 3/4(275)	12(305)	4(100)	48 SQ IN (310) SQ CM
6048	04(100), 05(125), 06(150)	8 1/2(215)	9(230)	8 1/2(215)	9(230)	10 3/4(275)	12(305)	4(100)	54 SQ IN (348) SQ CM

*5(125) R for 6048

REGULARLY FURNISHED:
 Duco Cast Iron Body with Secured
 Chrome Plated Bronze Grate and
 Frame.

- VARIATIONS:**
- Flashing Clamp -C
 - NO-HUB Adaptor (Specify Fig. 2646Y)
 - Vandal Proof Screws -U

- OPTIONAL MATERIALS:**
- Duco Cast Iron Face -CI
 - Galvanized Cast Iron -G
 - Nickel Bronze Face -NB
 - Polished Bronze Face -PB

NOTE: This product does not conform to or meet the requirements of ASME Standard No. A112.19.8-2007, titled "Suction Fittings for Use in Swimming Pools, Wading Pools, Spas, and Hot Tubs." This product shall not be used in any installation in swimming pools, wading pools, spas, hot tubs as well as other aquatic facilities. Due to the potential endangerment from arduous and forceful suction, entrapment or entanglement regardless of whether it is hair, head, limbs or other body parts, this product is prohibited from installation in these applications.

NOTE: Dimensions shown in parentheses are in millimeters.

DRAWING NUMBER S6040
 SIZE A
 SCALE: NONE
 DATE: 3-24-83
 APPROVED BY: SJM
 CHECKED BY: DT
 DRAWN BY: BS
 FIGURE NUMBER 6040,6045,6048

WE CAN ASSUME NO RESPONSIBILITY FOR USE OF SUPERSEDED OR VOID DATA

D	12/16/08	Revised Chart	RN	CL	WEIGHT POUNDS	VOLUME CUBIC FEET	FIGURE NUMBER 6040,6045,6048
C	12/08/08	Revised Variations	RN	CL			
B	11/20/08	Added ASME Note	JJ	CL			
A	8-8-94	Submittal Update	EMB	BS			
REV.	DATE	DESCRIPTION	BY	CKD. BY			