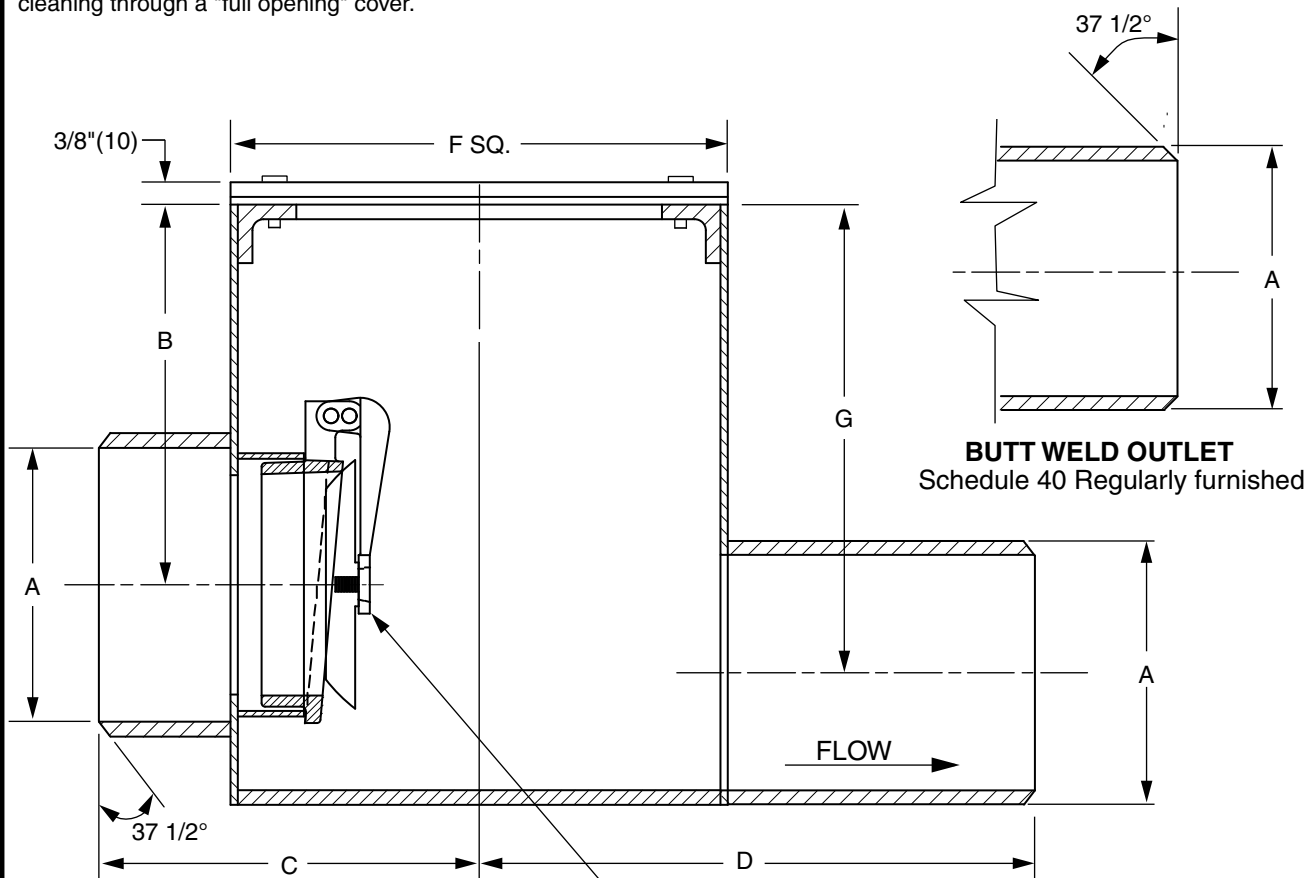


BACKWATER VALVES STAINLESS STEEL

BACKWATER VALVE

FUNCTION: Used in main or branch sewer lines to protect against backflow. SMITH backwater valves prevent hazardous or damaging backflow unless obstructed by debris or sludge. Valve design permits access to backwater valve assembly servicing or cleaning through a "full opening" cover.



BUTT WELD OUTLET
Schedule 40 Regularly furnished

NOTE: Dimensions shown in parentheses are in millimeters.

NOTE: Backwater Valve flapper set at factory to hang in closed position. Pin can be moved to permit flapper to hang open 1/4" (6) to permit air circulation.

A SIZE	B	C	D	F SQ.	G
03 (75)	6 1/4 (160)	5 3/4 (145)	9 (230)	7 1/2 (190)	7 1/2 (190)
04 (100)	6 1/2 (165)	6 1/2 (165)	9 1/2 (240)	8 1/2 (215)	8 (205)

REGULARLY FURNISHED:
Fabricated Type304 Stainless Steel Body with Bolted Cover and Bronze Backwater Valve, Butt Weld Inlet and Outlet (Schedule 40) (-S40) unless otherwise specified.

- VARIATIONS:**
- Vandal Proof Cover -U
 - BW Butt Weld Inlet & Outlet (Specify Schedule -S05, -S10)
 - Caulk Inlet & Spigot Outlet

OPTIONAL MATERIALS:
 Type 316 Stainless Steel -316

NOTE: These valves offer protection against backwater surges. Backflow is prevented when valve is not obstructed by debris or sludge. Use for gravity flow only, not for pressurized applications.

Design Pressures and Temperatures

1. With proper outlet connection, shall be watertight up to 10 ft. of water column (4.34 psig).
2. When exposed to effluent appropriate for drain material, the drain shall withstand effluent temperatures of 180 degrees F at ambient pressure.

DRAWING NUMBER: S9795
SIZE: A
SCALE: NONE
DATE: 11/12/84
APPROVED BY:
CHECKED BY:
DRAWN BY: PJ
FIGURE NUMBER: 9795

WE CAN ASSUME NO RESPONSIBILITY FOR USE OF SUPERSEDED OR VOID DATA
DIMENSIONS ARE SUBJECT TO MANUFACTURERS TOLERANCE AND CHANGE WITHOUT NOTICE

H G T	10-18-11 5-19-11 5-1-06 10/20/99	Added Note Rev. Dwg., Reg. Furn. Rev. Variations Submittal Redraw Illustrators	TBW TBW RN JJ	CL BW CL BS	WEIGHT POUNDS	VOLUME CUBIC FEET	FIGURE NUMBER 9795
REV.	DATE	DESCRIPTION	BY	CKD. BY			