

SMITH® JAY R. SMITH MFG. CO.®
 MEMBER OF ACORN'S FAMILY OF COMPANIES
 POST OFFICE BOX 3237
 MONTGOMERY, ALABAMA 36109-0237 (USA)
 TEL: 334-277-8520 FAX: 334-272-7396 www.jrsmith.com



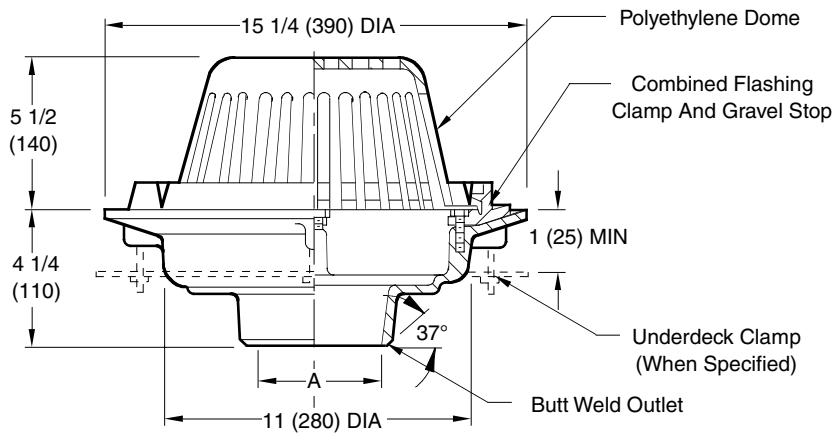
LOCATION

ROOF DRAINS STAINLESS STEEL - CARBON STEEL

LARGE GENERAL PURPOSE ROOF DRAIN BUTT WELD OUTLET

FUNCTION: Used in flat roofs of any construction. Large low profile dome provides sufficient free area for quick drainage of rain water and protects the drain sump and connected piping from the intrusion of debris. Wide clamping surface holds flashing and roofing materials without puncturing.

Free Area
102.5 SQ IN
(661) SQ CM



A (Pipe Size) = 03(75), 04(100) or 06(150)

Fig. 9780BW BUTT WELD OUTLET

Schedule 40 Regularly Furnished

Design Pressures and Temperatures

1. With proper outlet connection, shall be watertight up to 10 ft. of water column (4.34 psig).
2. When exposed to effluent appropriate for drain material, the drain shall withstand effluent temperatures of 180 degrees F at ambient pressure.

NOTE: Dimensions shown in parentheses are in millimeters.

REGULARLY FURNISHED:

CF8 (Equivalent to Type 304) Rough Finish Stainless Steel Body. Combined Flashing Collar and Gravel Stop and Polyethylene Dome.

VARIATIONS:

- 90° Side Outlet (See Fig. 9759)
- Secured Dome -SD
- Underdeck Clamp -C
- Vandal Proof Dome -U
- BW Butt Weld Outlet (Specify Schedule -S05, -S10 or -S40)

OPTIONAL MATERIALS:

- A-27 Carbon Steel Body -A27
- A-27 Carbon Steel Clamping Collar -A27C
- A-27 Carbon Steel Dome -A27D
- Cast Iron Dome -CID
- CF8M (Equivalent to Type 316) Stainless Steel Body -316
- CF8M Stainless Steel Clamping Collar -316C
- CF8M Stainless Steel Dome -316D

DRAWING NUMBER
S9780

SIZE
A

SCALE:
NONE

DATE:
11-12-84

APPROVED BY:
TD

CHECKED BY:
VGD

DRAWN BY:
PJ

9780

WE CAN ASSUME NO RESPONSIBILITY FOR USE OF SUPERSEDED OR VOID DATA

DIMENSIONS ARE SUBJECT TO MANUFACTURERS TOLERANCE AND CHANGE WITHOUT NOTICE

FIGURE NUMBER	REV.	DATE	DESCRIPTION	BY	CKD. BY	WEIGHT POUNDS	VOLUME CUBIC FEET	FIGURE NUMBER
		10-18-11 5/2/06 5/11/05 05/31/00	Added Note Changed Variations Changed 3 5/8 to 4 1/4 Changed Metric Equivalents	TBW RN RN JJ	CL CL CL BS			9780