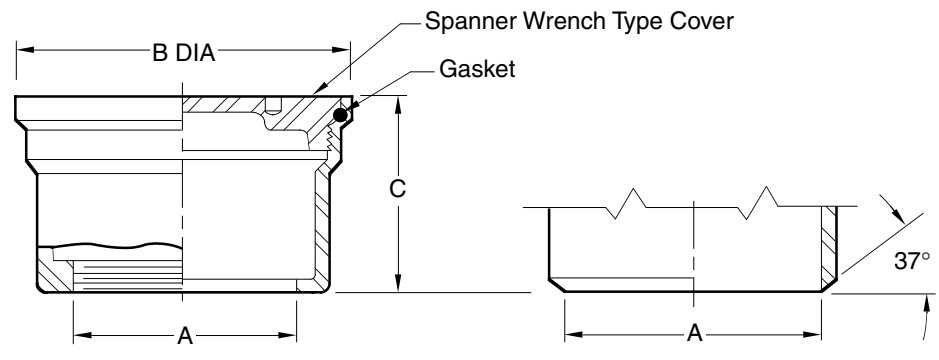


ROUND DECK PLUG STAINLESS STEEL - CARBON STEEL

FUNCTION: Used as floor cleanout for drainage lines. Cover is water and gas tight and requires a spanner wrench for removal.



Butt Weld Outlet
Schedule 40 Regularly Furnished

Fig. 9760C CAULK OUTLET
 Fig. 9760T THREADED OUTLET

A SIZE	B DIA		C	
	CAULK	BUTT WELD	CAULK	BUTT WELD
02(50)	4 1/2(115)	4 1/2(115)	3(76)	3(76)
03(75)	5 1/2(140)	4 1/2(115)	3(76)	3(76)
04(100)	7 1/2(190)	5 1/2(140)	3 1/4(83)	3 1/4(83)

REGULARLY FURNISHED:
 CF8 (Equivalent to Type 304) Rough Finish Stainless Steel Body and Cover with Gasket.

VARIATIONS:
 Steel Spanner Wrench -SW
 BW Butt Weld Outlet
 (Specify Schedule -S05, -S10 or -S40)

OPTIONAL MATERIALS:
 A-27 Carbon Steel -A27
 CF8M (Equivalent to Type 316) Stainless Steel -316
 Nickel Bronze Cover -NB

Design Pressures and Temperatures

1. With proper outlet connection, shall be watertight up to 10 ft. of water column (4.34 psig).
2. When exposed to effluent appropriate for drain material, the drain shall withstand effluent temperatures of 180 degrees F at ambient pressure.

NOTE: Dimensions shown in parentheses are in millimeters.

DRAWING NUMBER **S9760**
 SIZE **A**
 SCALE: **NONE**
 DATE: **11-12-84**
 APPROVED BY: **TD**
 CHECKED BY: **VGD**
 DRAWN BY: **PJ**
9760
 FIGURE NUMBER

WE CAN ASSUME NO RESPONSIBILITY FOR USE OF SUPERSEDED OR VOID DATA

REV.	DATE	DESCRIPTION	BY	CKD. BY	WEIGHT POUNDS	VOLUME CUBIC FEET	FIGURE NUMBER 9760