



**JAY R. SMITH MFG. CO.®**  
 MEMBER OF ACORN'S FAMILY OF COMPANIES  
 POST OFFICE BOX 3237  
 MONTGOMERY, ALABAMA 36109-0237 (USA)  
 TEL: 334-277-8520 FAX: 334-272-7396 www.jrsmith.com

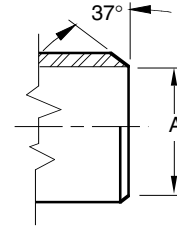
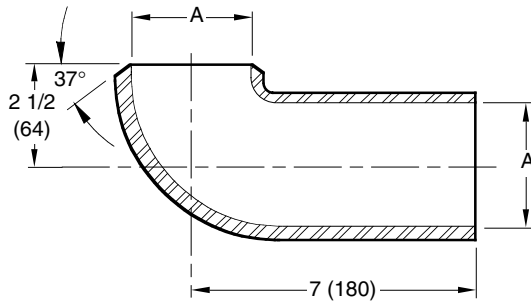


MEMBER OF:

LOCATION

# 90° SIDE OUTLETS STAINLESS STEEL - CARBON STEEL

**FUNCTION:** The 90° outlet is used to convert a bottom outlet drain to a side outlet connection.



**Butt Weld Outlet**

Schedule 40 Regularly Furnished

A (Pipe Size) = 02(50), 03(75) or 04(100)

Fig. 9759S . . . . SPIGOT OUTLET

**REGULARLY FURNISHED:**

CF8 (Equivalent to Type 304) Rough Finish Stainless Steel Elbow with Butt Weld Inlet Connection and Plain End Spigot Outlet.

**VARIATIONS:**

BW Butt Weld Outlet (Specify Schedule -S05, -S10 or -S40)

**OPTIONAL MATERIALS:**

A-27 Carbon Steel -A27  
 CF8M (Equivalent to Type 316) Stainless Steel -316

**Design Pressures and Temperatures**

1. With proper outlet connection, shall be watertight up to 10 ft. of water column (4.34 psig).
2. When exposed to effluent appropriate for drain material, the drain shall withstand effluent temperatures of 180 degrees F at ambient pressure.

**NOTE:** Dimensions shown in parentheses are in millimeters.

DRAWING NUMBER  
**S975**

SIZE  
**A**

SCALE:  
**NONE**

DATE:  
**11-12-84**

APPROVED BY:  
**TD**

CHECKED BY:  
**VGJ**

DRAWN BY:  
**PJ**

**9759**

WE CAN ASSUME NO RESPONSIBILITY FOR USE OF SUPERSEDED OR VOID DATA

DIMENSIONS ARE SUBJECT TO MANUFACTURERS TOLERANCE AND CHANGE WITHOUT NOTICE

<b>E</b>	10-18-11	<b>Added Note</b> Revised Variations Changed Metric Equivalents Added Millimeters	<b>TBW</b>	<b>CL</b>	<b>WEIGHT</b> POUNDS	<b>VOLUME</b> CUBIC FEET	<b>FIGURE NUMBER</b>  <b>9759</b>
<b>D</b>	4-28-06		<b>RN</b>	<b>CL</b>			
<b>C</b>	05/25/00		<b>JJ</b>	<b>BS</b>			
<b>B</b>	12-14-95		<b>EMB</b>	<b>BS</b>			
REV.	DATE	DESCRIPTION	BY	CKD. BY			