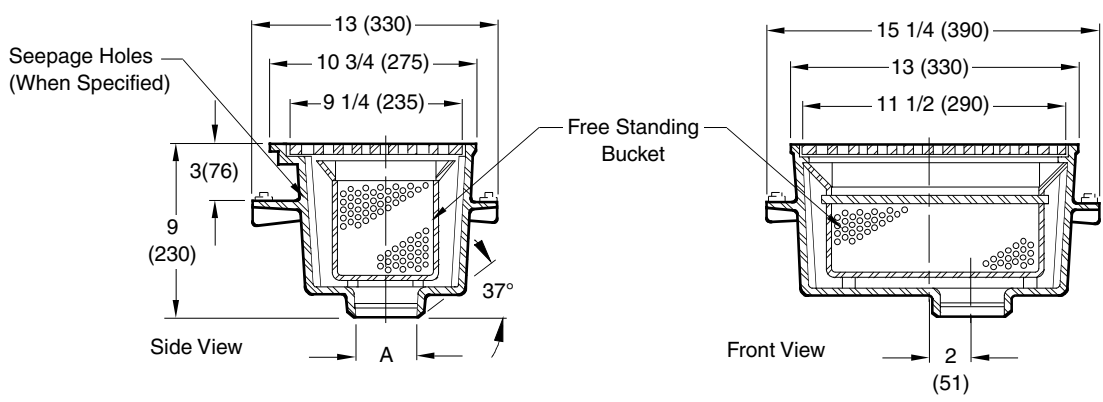


SPECIAL PURPOSE DRAINS STAINLESS STEEL - CARBON STEEL

HEAVY DUTY DRAIN WITH FREE STANDING SEDIMENT BUCKET

FUNCTION: Used in traffic areas and areas that require an offset outlet and rectangular top.

Free Area
 42 SQ IN
 (271) SQ CM



A (Pipe Size) = 02(50), 03(75), 04(100), 05(125) or 06(150)

Fig. 9755BW . . . BUTT WELD OUTLET

Schedule 40 Regularly Furnished

REGULARLY FURNISHED:

CF8 (Equivalent to Type 304) Rough Finish Stainless Steel Body with Sediment Bucket and Heavy Duty Loose Set Polished Bronze Grate.

VARIATIONS:

- 4(100) or 6"(150) Dia. Funnel (Specify Fig. 9703)
- 8 3/4(220) x 3 3/4(95) Funnel (Specify Fig. 9704)
- 90° Side Outlet (Specify Fig. 9759)
- Flashing Clamp with Seepage Holes -C
- Seepage Holes -WSH
- BW Butt Weld Outlet (Specify Schedule -S05, -S10 or -S40)

OPTIONAL MATERIALS:

- A-27 Carbon Steel -A27
- CF8 (Equivalent to Type 304) Stainless Steel Grate -SSG
- CF8M (Equivalent to Type 316) Stainless Steel Grate -316
- Nickel Bronze Grate -NB
- Stainless Steel Satin Finished Grate -SFG

Design Pressures and Temperatures

1. With proper outlet connection, shall be watertight up to 10 ft. of water column (4.34 psig).
2. When exposed to effluent appropriate for drain material, the drain shall withstand effluent temperatures of 180 degrees F at ambient pressure.

NOTE: Dimensions shown in parentheses are in millimeters.

H
 DRAWING NUMBER S9755
 SIZE A
 SCALE: NONE
 DATE: 11-12-84
 APPROVED BY: T.D.
 CHECKED BY: VGD
 DRAWN BY: CMB
 9755
 DIMENSIONS ARE SUBJECT TO MANUFACTURERS TOLERANCE AND CHANGE WITHOUT NOTICE

WE CAN ASSUME NO RESPONSIBILITY FOR USE OF SUPERSEDED OR VOID DATA

H G F E	10-18-11 4-28-06 05/16/00 12-14-95	Added Note Revised Variations Changed Metric Equivalents Added Millimeters	TBW RN JJ EMB	CL CL BS BS	WEIGHT POUNDS	VOLUME CUBIC FEET	FIGURE NUMBER 9755
REV.	DATE	DESCRIPTION	BY	CKD. BY			