

F

SMITH® JAY R. SMITH MFG. CO.®
 MEMBER OF ACORN'S FAMILY OF COMPANIES
 POST OFFICE BOX 3237
 MONTGOMERY, ALABAMA 36109-0237 (USA)
 TEL: 334-277-8520 FAX: 334-272-7396 www.jrsmith.com



MEMBER OF:

LOCATION

DRAWING NUMBER
S974

SIZE
A

SCALE:
NONE

DATE:
11-12-84

APPROVED BY:
TD

CHECKED BY:
VGD

DRAWN BY:
PJ

9740

FIGURE NUMBER

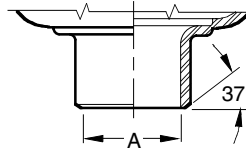
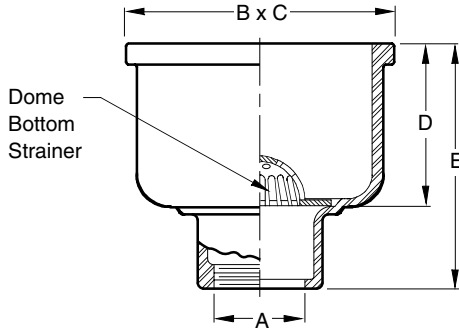
WE CAN ASSUME NO RESPONSIBILITY FOR USE OF SUPERSEDED OR VOID DATA

DIMENSIONS ARE SUBJECT TO MANUFACTURERS TOLERANCE AND CHANGE WITHOUT NOTICE

FLOOR DRAINS STAINLESS STEEL - CARBON STEEL

SPECIAL PURPOSE DRAINS INDIRECT WASTE RECEPTORS

FUNCTION: Used in areas where an indirect waste receptor is required and not subject to foot or other traffic. Rectangular shape permits installation against wall with short dimension protruding away from wall.



Butt Weld Outlet

Schedule 40 Regularly Furnished

- Fig. 9740C CAULK OUTLET
- Fig. 9740T THREADED OUTLET

PIPE SIZE	A	B	C	D	E
03 (75)	4 (100)	8 (205)	3 (76)	5 1/2 (140)	
03 (75)	6 (150)	12 (305)	7 1/4 (185)	10 1/2 (265)	
04 (100)	6 (150)	12 (305)	7 1/4 (185)	10 1/2 (265)	
06 (150)	6 (150)	12 (305)	7 1/4 (185)	10 1/2 (265)	

REGULARLY FURNISHED:
 CF8 (Equivalent to Type 304) Rough Finish Stainless Steel Body with Aluminum Dome Bottom Strainer.

Design Pressures and Temperatures

1. With proper outlet connection, shall be watertight up to 10 ft. of water column (4.34 psig).
2. When exposed to effluent appropriate for drain material, the drain shall withstand effluent temperatures of 180 degrees F at ambient pressure.

VARIATIONS:

- Cast Iron Dome Bottom Strainer -DBS
- Closure Plug and Gasket Available in Stainless Steel -XPSS or Plastic -XPP
- Closure Plug 3/4" (19) Test Plug -TP (Specify Material)
- Seepage Holes -WSH
- Stainless Steel Dome Bottom Strainer -SDBS
- Stainless Steel Flange -F
- Stainless Steel Flange and Flashing Clamp with Seepage Holes -F-C
- BW Butt Weld Outlet (Specify Schedule -S05, -S10 or -S40)

OPTIONAL MATERIALS:

- A-27 Carbon Steel -A27
- CF8M (Equivalent to Type 316) Stainless Steel -316

NOTE: Dimensions shown in parentheses are in millimeters.

F	10-18-11	Added Note	TBW	CL
E	4-28-06	Revised Variations	RN	CL
D	3-2-06	Changed Variations	RN	CL
C	04/24/00	Changed Metric Equivalents	JJ	BS
B	12-14-95	Added Millimeters	EMB	BS

WEIGHT POUNDS	VOLUME CUBIC FEET	FIGURE NUMBER 9740
------------------	----------------------	------------------------------

REV.	DATE	DESCRIPTION	BY	CKD. BY
------	------	-------------	----	---------