

J



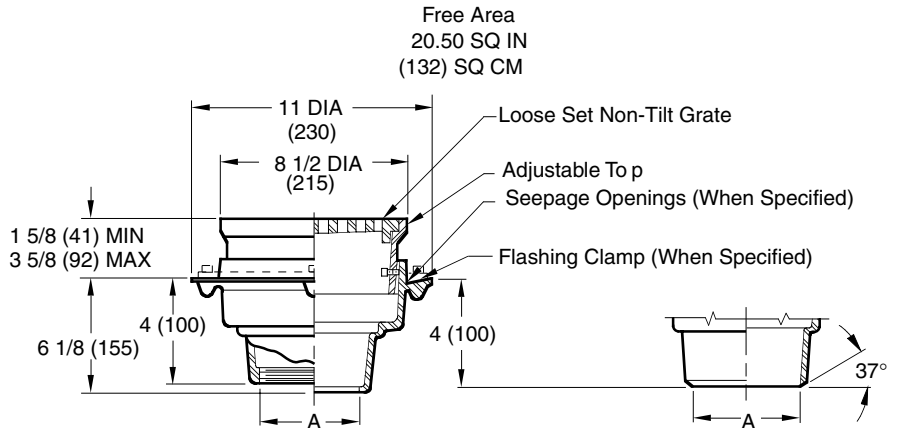
MEMBER OF:

LOCATION

FLOOR DRAINS STAINLESS STEEL - CARBON STEEL

8 1/2" (215) ROUND ADJUSTABLE TOP

FUNCTION: Used in moderate traffic areas where an adjustable top permits accurate positioning of grate to meet finished floor levels.



Butt Weld Outlet

Schedule 40 Regularly Furnished

A (Pipe Size) 02(50), 03(75) or 04(100)

- Fig. 9725C CAULK OUTLET
- Fig. 9725T. . . . THREADED OUTLET

REGULARLY FURNISHED:

CF8 (Equivalent to Type 304) Rough Finish Stainless Steel Body, Loose Set Non-Tilt Grate with Adjustable Top.

VARIATIONS:

- 4" (100) Extension -E04
- 4(100) or 6"(150) Dia. Funnel (Specify Fig. 9703)
- 8 3/4(220) x 3 3/4"(95) Funnel (Specify Fig. 9704)
- Closure Plug and Gasket Available in Stainless Steel -XPSS or Plastic -XPP
- Closure Plug with 3/4"(19) Test Plug -TP (Specify Material)
- Flashing Clamp with Seepage Holes -C
- Flat Bottom Strainer -FBS
- Satin Finish Top -SF
- Sediment Bucket -B
- Seepage Holes -WSH
- Solid Scoriated Cover -SC
- Vandal Proof Grate -U
- 90° Side Outlet (Specify Fig. 9759)
- BW Butt Weld Outlet (Specify Schedule -S05, -S10, -S40)

OPTIONAL MATERIALS:

- A-27 Carbon Steel -A27
- Cast Iron Grate -CIG
- CF8M (Equivalent with Type 316) Stainless Steel -316
- Nickel Bronze Grate -NB
- Polished Bronze Grate -PB

Design Pressures and Temperatures

- With proper outlet connection, shall be watertight up to 10 ft. of water column (4.34 psig).
- When exposed to effluent appropriate for drain material, the drain shall withstand effluent temperatures of 180 degrees F at ambient pressure.

NOTE: Dimensions shown in parentheses are in millimeters.

DRAWING NUMBER
S9725

SIZE
A

SCALE:
NONE

DATE:
PJ

APPROVED BY:
TD

CHECKED BY:
VGD

DRAWN BY:
PJ

9725

FIGURE NUMBER

WE CAN ASSUME NO RESPONSIBILITY FOR USE OF SUPERSEDED OR VOID DATA

DIMENSIONS ARE SUBJECT TO MANUFACTURERS TOLERANCE AND CHANGE WITHOUT NOTICE

J	10-17-11	Added Note Revised Drawing Revised Variations Changed Optional Materials	TBW	CL
H	9-30-09		RN	CL
G	4-28-06		RN	CL
F	3-29-06		RN	CL
REV.	DATE	DESCRIPTION	BY	CKD. BY

WEIGHT POUNDS	VOLUME CUBIC FEET

FIGURE NUMBER
9725