

G



**JAY R. SMITH MFG. CO.**  
 MEMBER OF ACORN'S FAMILY OF COMPANIES  
 POST OFFICE BOX 3237  
 MONTGOMERY, ALABAMA 36109-0237 (USA)  
 TEL: 334-277-8520 FAX: 334-272-7396 www.jrsmith.com



MEMBER OF:

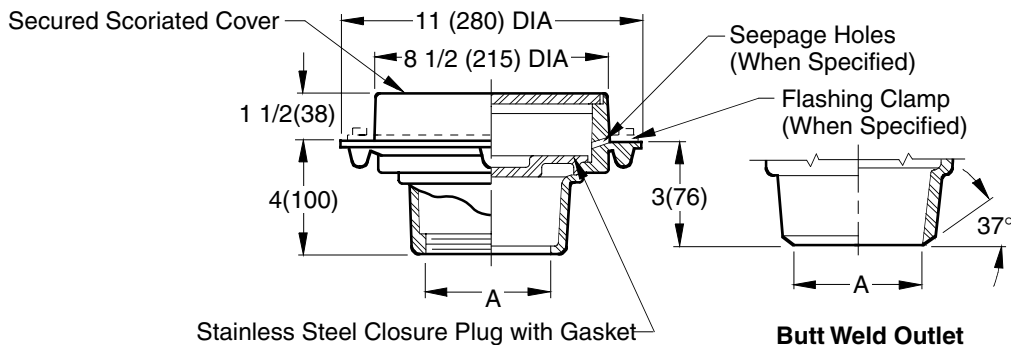


LOCATION

# FLOOR DRAINS STAINLESS STEEL - CARBON STEEL

## 8 1/2" (215) ROUND TOP SOLID SCORIATED COVER AND CLOSURE PLUG

**FUNCTION:** Used in floors and areas where a solid cover is required. Closure plug prevents sewer gases from entering the building through the drain.



Stainless Steel Closure Plug with Gasket

Butt Weld Outlet

Schedule 40 Regularly Furnished

A (Pipe Size) = 02(50), 03(75) or 04(100)

Fig. 9720C . . . . CAULK OUTLET  
 Fig. 9720T . . . . THREADED OUTLET

DRAWING NUMBER  
S9720SIZE  
ASCALE:  
NONEDATE:  
11-12-84APPROVED BY:  
TDCHECKED BY:  
VGDDRAWN BY:  
PJ

9720

WE CAN ASSUME NO RESPONSIBILITY FOR USE OF SUPERSEDED OR VOID DATA  
DIMENSIONS ARE SUBJECT TO MANUFACTURERS TOLERANCE AND CHANGE WITHOUT NOTICE**REGULARLY FURNISHED:**

CF8 (Equivalent to Type 304) Rough Finish Stainless Steel Body, Secured Scoriated Cover and Stainless Steel Closure Plug with Gasket.

**Design Pressures and Temperatures**

1. With proper outlet connection, shall be watertight up to 10 ft. of water column (4.34 psig).
2. When exposed to effluent appropriate for drain material, the drain shall withstand effluent temperatures of 180 degrees F at ambient pressure.

**VARIATIONS:**

- 4"(100) Extension -E04
- Plastic Closure Plug and Gasket -XPP
- Closure Plug with 3/4" (19) Test Plug -TP (Specify Material)
- Flashing Clamp with Seepage Holes -C
- Satin Finish Top -SF
- Seepage Holes -WSH
- Vandal Proof -U
- 90° Side Outlet (Specify Fig. 9759)
- BW Butt Weld Outlet (Specify Schedule -S05, -S10, -S40)

**OPTIONAL MATERIALS:**

- A-27 Carbon Steel -A27
- CF8M (Equivalent to Type 316) Stainless Steel -316

**NOTE:** Dimensions shown in parentheses are in millimeters.

GT  
ED  
10-18-11  
4-28-06  
3-2-06  
04/24/00

Added Note  
Revised Variations  
Changed Variations  
Changed Metric Equivalents

TBW  
RN  
RN  
JJ

CL  
CL  
CL  
BS

WEIGHT  
POUNDS

VOLUME  
CUBIC FEET

FIGURE NUMBER

9720

REV.	DATE	DESCRIPTION	BY	CKD. BY