

## FUNNELS STAINLESS STEEL - CARBON STEEL

**FUNCTION:** Used to receive waste water from indirect waste lines. Funnel are attached to the grate with concealed bolts permitting funnel to be moved to different positions on the grate.

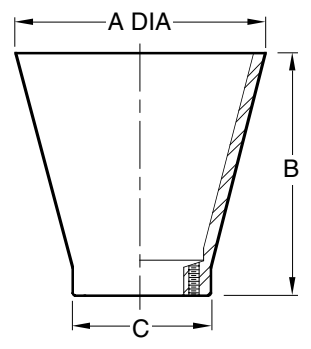


Fig. 9703 . . . 4" (100) FUNNEL

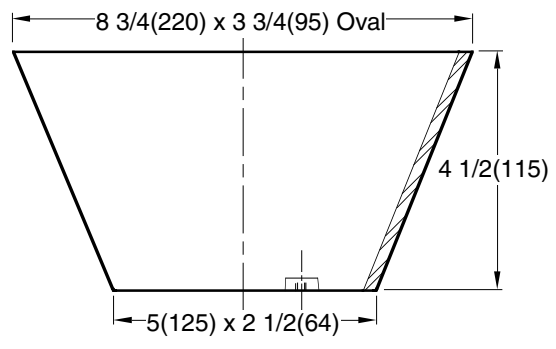


Fig. 9704 . . . 8 3/4"(220) x 3 3/4"(95) FUNNEL

A	B	C
4 (100)	4 1/4 (110)	2 1/2 (64)
6 (150)	4 1/2 (115)	2 1/2 (64)

**REGULARLY FURNISHED:**  
 CF8 (Equivalent to Type 304) Rough Finish Stainless Steel with Stainless Steel Bolts and Washers.

**VARIATIONS:**  
 6" (150) Funnel -6  
 Satin Finish -SF

**OPTIONAL MATERIALS:**  
 A-27 Carbon Steel -A27  
 CF8M (Equivalent to Type 316) Stainless Steel -316  
 Nickel Bronze -NB

**NOTE:** Dimensions shown in parentheses are in millimeters.

DRAWING NUMBER **S9703**  
 SIZE **A**  
 SCALE: **NONE**  
 DATE: **11-12-84**  
 APPROVED BY: **T.D.**  
 CHECKED BY: **VGD**  
 DRAWN BY: **P.J.**  
**9703/9704**  
 FIGURE NUMBER

WE CAN ASSUME NO RESPONSIBILITY FOR USE OF SUPERSEDED OR VOID DATA  
 DIMENSIONS ARE SUBJECT TO MANUFACTURERS TOLERANCE AND CHANGE WITHOUT NOTICE

C	12-12-95	Added Millimeters	CMB	BS	WEIGHT	VOLUME	FIGURE NUMBER
B	9-94	Submittal Update	CMB	BS	POUNDS	CUBIC FEET	<b>9703/9704</b>
A	3-93	Rev. Reg. Furn.	EMB				
REV.	DATE	DESCRIPTION	BY	CKD. BY			