



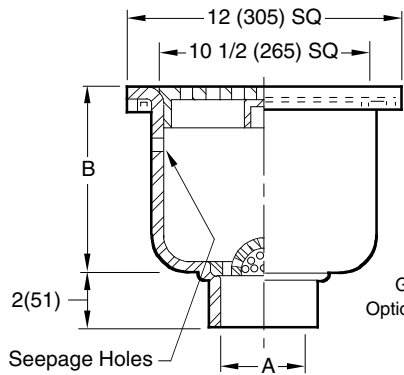
JAY R. SMITH MFG. CO.
 DIVISION OF SMITH INDUSTRIES, INC.
 POST OFFICE BOX 3237
 MONTGOMERY, ALABAMA 36109-0237 (USA)
 TEL: 334-277-8520 FAX: 334-272-7396 www.jrsmith.com



LOCATION

14 GAGE STAINLESS STEEL FLOOR, AREA & INDIRECT WASTE DRAINS WITH 12" (304) SQUARE TOP

FUNCTION: Used in nuclear and fossil fuel power stations, chemical plants, laboratories and other areas where the corrosion resistance of type 304 stainless steel is satisfactory for the intended service. Also used in other locations such as breweries, dairies, creameries and similar processing plants where superior corrosion resistance, durability and longevity are required. Excellent for use in restaurants, schools and all types of food handling areas for ultimate sanitation.

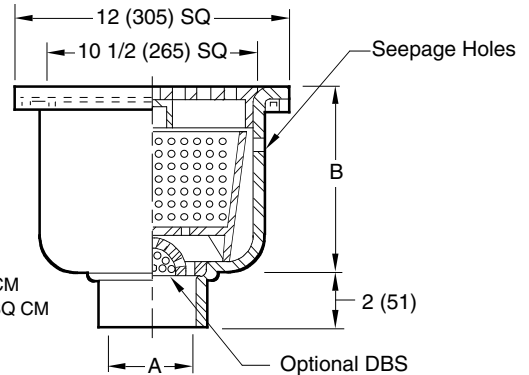


With Dome Bottom Strainer

| W/Dome Strainer | "B" Dim. | Approx. Wt. Lbs. | W/Sediment Bucket |
|-----------------|----------|------------------|-------------------|
| 9691 | 4 (100) | 14 | 9696 |
| 9692 | 6 (150) | 17 | 9697 |
| 9693 | 8 (205) | 20 | 9698 |
| 9694 | 10 (255) | 23 | 9699 |

Grates w/1/2"(13) holes - Free Area 34 SQ IN (219) SQ CM
 Optional grates w/1/4"(6) holes - Free Area 18 SQ IN (116) SQ CM
 A (Pipe Size) = 02(50), 03(75) or 04(100)
 Y NO-HUB Outlet Regular

Schedule 40 Regularly Furnished



With Sediment Bucket

FEATURES, OPTIONS AND ORDERING INFORMATION

REGULARLY FURNISHED: 14 Gage Type 304 SS Receptor Body with "Seepage Control Holes", Cast Type 316 SS Ribbed Non-Tilt Loose Set Grate with 1/2"(13) Square Holes. Perforated SS Dome Bottom Strainer or Sediment Bucket as Indicated by Figure Number.

VARIATIONS:

- Dome Bottom Strainer -DBS (Bucket Models only)
- Less Seepage Control Holes -LSH
- Solid Ported Bucket -SBP
- *With Anchor Flange -F
- *With Flange and Flashing Clamp -F-C
- Trap Primer Connection -P050 1/2"(13) & -P075 3/4"(19)
- BW Butt Weld Outlet (Specify Schedule -S05, -S10 or -S40)
- T Male Threaded Connection

BUCKET MODELS ONLY:

- With SS Solid Bottom Ported Bucket -SBP
- With SS Dome Bottom Strainer -DBS

OPTIONAL MATERIALS:

- Fabricated from Type 316 Stainless Steel -316

NOTE:

When determining location of this drain, consideration must be given to traffic loading factors. When used in areas where the drain is subjected to any traffic loading heavier than pedestrian foot traffic, the location, load and description of load shall be submitted to Jay R. Smith's Sales Engineering Department for evaluation and selection of proper grate.

OPTIONAL TOP GRATES AND COVERS

- | Suffix | Description |
|------------------------------|---|
| <input type="checkbox"/> -10 | Less SS Grate |
| <input type="checkbox"/> -12 | With SS 1/2 Grate |
| <input type="checkbox"/> -13 | With SS 3/4 Grate |
| <input type="checkbox"/> -14 | With SS 2 1/2(64) Sq. Center Hole Grate |
| <input type="checkbox"/> -15 | With SS Recessed Grate with Handle |
| <input type="checkbox"/> -21 | With SS Grate with 4"(100) Dia. SS Funnel |
| <input type="checkbox"/> -22 | With SS Grate with 6"(150) Dia. SS Funnel |
| <input type="checkbox"/> -25 | With SS Grate with 8 1/4(210) x 3 1/4(53) x 4 1/2"(115) High Oval SS Funnel |
| <input type="checkbox"/> -26 | With SS Grate with 6(150) x 2 1/2(64) x 1"(25) High Oval SS Funnel |
| <input type="checkbox"/> -41 | With SS Solid Cover |
| <input type="checkbox"/> -42 | With SS 1/2 Solid Cover |
| <input type="checkbox"/> -43 | With SS 3/4 Solid Cover |
| <input type="checkbox"/> -44 | With SS 2 1/2"(64) Sq. Center Hole Solid Cover |

- | Suffix | Description |
|------------------------------|---|
| <input type="checkbox"/> -61 | With SS Heel-Proof Ribbed Non-Tilt Loose Set Grate with 1/4"(6) Sq. Holes |
| <input type="checkbox"/> -63 | With SS Medium Duty Heel-Proof Ribbed Non-Tilt Loose Set Grate with 1/4"(6) Sq. Holes |
| <input type="checkbox"/> -64 | With SS Heavy Duty Ribbed Non-Tilt Loose Set Grate with 1/2"(13) Sq. Holes |
| <input type="checkbox"/> -66 | With SS Extra Heavy Duty Ribbed Non-Tilt Loose Set Grate with 1/2"(13) Sq. Holes |
| <input type="checkbox"/> -69 | With 1"(25) Thick Underbolted NB Rim and Extra Heavy Duty Cast Stainless Steel Secured Grate (Flange Regularly Furnished 2"(51) from top will become 3"(76) from top) |

*Flange is located 2" (51) from top of drain. 3"(76) when specified.

NOTE: Dimensions shown in parentheses are in millimeters.

DRAWING NUMBER: S9691
 SIZE: A
 SCALE: NONE
 DATE: 5-4-82
 APPROVED BY: J.M.
 CHECKED BY: K.H.
 DRAWN BY: C.R.
 9691 SERIES
 DIMENSIONS ARE SUBJECT TO MANUFACTURERS TOLERANCE AND CHANGE WITHOUT NOTICE
 WE CAN ASSUME NO RESPONSIBILITY FOR USE OF SUPERSEDED OR VOID DATA

| REV. | DATE | DESCRIPTION | BY | CKD. BY | WEIGHT POUNDS | VOLUME CUBIC FEET | FIGURE NUMBER |
|------|----------|-----------------------------|----|---------|---------------|-------------------|---------------|
| Q | 12-13-06 | Revised Variations | RN | CL | | | 9691 SERIES |
| P | 4-28-06 | Revised Variations | RN | CL | | | |
| N | 05/17/04 | Changed Regularly Furnished | JJ | CL | | | |
| M | 5-30-03 | Chg'd (305) SS to (304) SS | RN | AM | | | |