

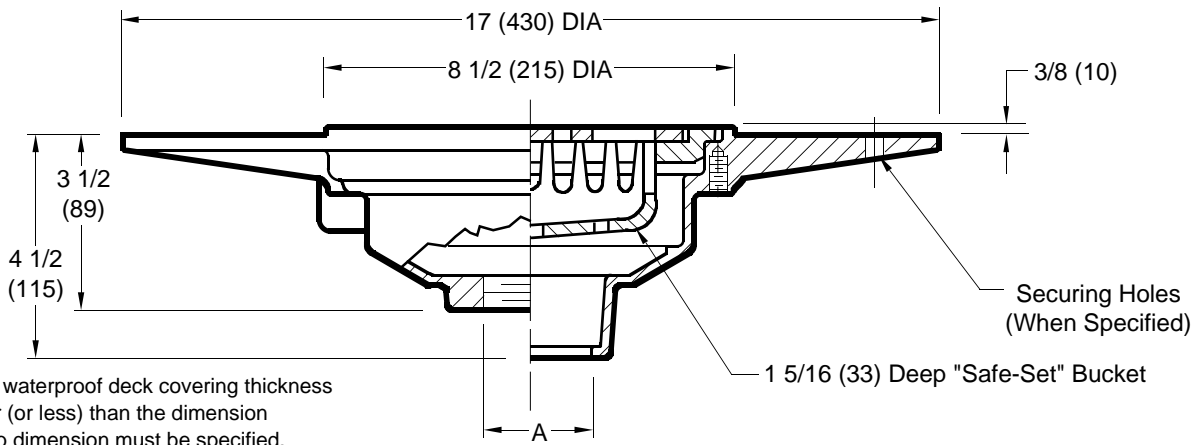
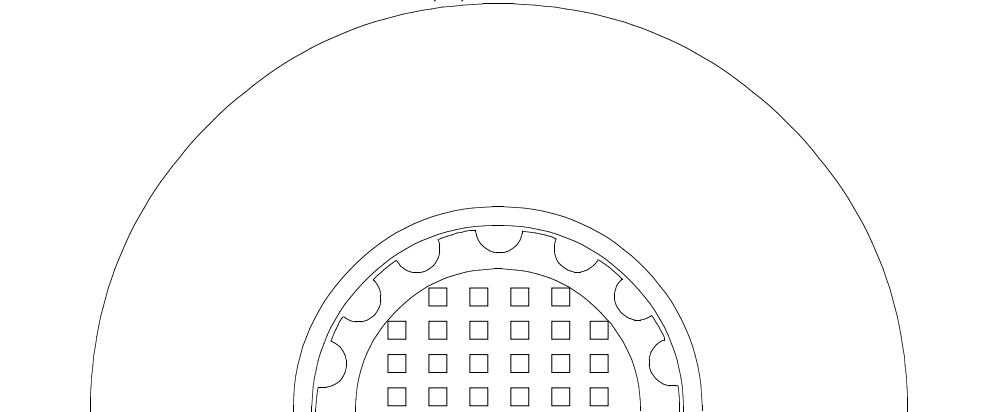
| | | | |
|----------|---|---------------|-----------------|
| F | JAY R. SMITH MFG. CO. DIVISION OF SMITH INDUSTRIES, INC. <small>POST OFFICE BOX 3237 MONTGOMERY, ALABAMA 36109-0237 (USA) TEL: 334-277-8520 FAX: 334-272-7396 www.JRSmith.com</small> | MEMBER | LOCATION |
|----------|---|---------------|-----------------|

SANI-CEPTOR® ACID RESISTANT COATED FLOOR & INDIRECT WASTE DRAIN

ROUND NICKEL BRONZE TOP WIDE FLANGE SANITARY FLOOR DRAIN

FUNCTION: Used in kitchen areas where waterproof traffic floor coverings are applied. The acid resistant coated interior makes it ideal for kitchens, hospitals and schools. "Safe-Set" design insures bucket replacement after cleaning since top grate cannot be inserted unless bucket is in place.

Free Area
14.1 SQ IN
(91) SQ CM



NOTE: If waterproof deck covering thickness is greater (or less) than the dimension shown, lip dimension must be specified. Roughing dimensions of the body must be adjusted accordingly. Drain body should be set low enough to permit "dimpling" of area surrounding drain.

A (Pipe Size) = 02(50), 03(80) or 04(100)

- Fig. DX3027C . . . CAULK OUTLET
- Fig. DX3027T . . . THREADED OUTLET

REGULARLY FURNISHED:
Cast Iron Body with Acid Resistant Coated Interior and Nickel Bronze Top with Sediment Bucket.

- VARIATIONS:**
- Less Bucket and Grate -LBG
 - Securing Holes -SH
 - Vandal Proof Grate -U
 - NO-HUB Adaptor (Specify Fig. 2646Y)

- OPTIONAL MATERIALS:**
- Polished Bronze Top -PB

NOTE: Dimensions shown in parentheses are in millimeters.

DRAWING NUMBER SDX3027
SIZE A
SCALE: NONE
DATE: 11-1-90
APPROVED BY:
CHECKED BY: EMB
DRAWN BY: EMB
FIGURE NUMBER DX3027

WE CAN ASSUME NO RESPONSIBILITY FOR USE OF SUPERSEDED OR VOID DATA
DIMENSIONS ARE SUBJECT TO MANUFACTURERS TOLERANCE AND CHANGE WITHOUT NOTICE

| | | | | | | | |
|------|---------|-------------------|-----|---------|---------------|-------------------|--------------------------------|
| REV. | DATE | DESCRIPTION | BY | CKD. BY | WEIGHT POUNDS | VOLUME CUBIC FEET | FIGURE NUMBER DX3027 |
| F | 9-4-96 | Added Millimeters | EMB | | | | |
| E | 7-12-94 | Revised | EMB | BS | | | |
| D | 12-1-93 | Submittal Update | EMB | BS | | | |
| C | 7-8-92 | Revised Dwg | TWK | JCS | | | |