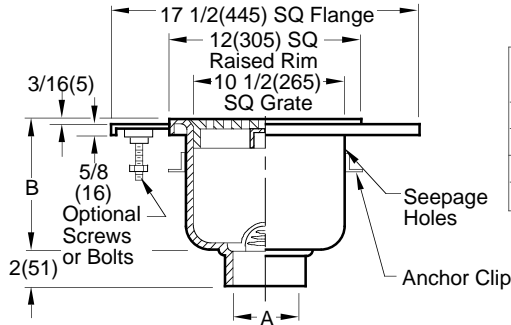


SANI-CEPTOR® STAINLESS STEEL FLOOR, AREA & INDIRECT WASTE DRAINS WITH 12" (305) STAINLESS STEEL SQUARE TOPS WITH WIDE FLANGES

FUNCTION: Used in all locations where superior sanitation, corrosion resistance, durability and longevity are required, and where the floor or deck will be surfaced with troweled, composition elastomeric covering. These coverings consist of slip sheet bondcoat, membrane and finish coatings. They form an entirely seamless waterproof, resilient traffic floor or deck. They are normally applied in 3/16" (5) thickness, however, thicknesses may be increased to 1/2" (13) for specialized application. Refer to covering manufacturer for specifications and thicknesses to be used.

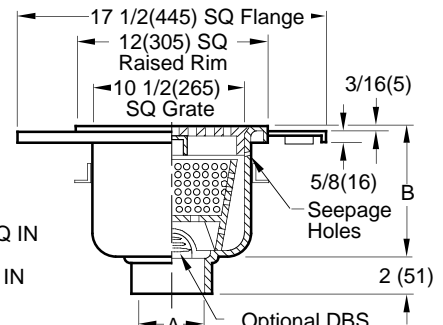


WITH DOME BOTTOM STRAINER

FIGURE NUMBERS

W/Dome Strainer	"B" DIM	Approx Wt. Lbs.	W/Sediment Bucket
DX3001	4(100)	29	DX3006
DX3002	6(150)	32	DX3007
DX3003	8(205)	35	DX3008
DX3004	10(255)	38	DX3009

Grates w/1/2"(13) holes - Free Area 34 SQ IN (219) SQ CM
 Optional Grates w/1/4"(6) holes - 18 SQ IN (116) SQ CM
 A (Pipe Size) = 02(50), 03(80) or 04(100)
 Y NO-HUB Outlet



WITH SEDIMENT BUCKET

FEATURES, OPTIONS AND ORDERING INFORMATION

REGULARLY FURNISHED: 14 Gauge Type 304 SS Receptor Body with Seepage Control Holes, Reinforced Stainless Steel Square Flange set 3/16"(5) Below Rim and Cast Type 316 SS Ribbed Non-Tilt Loose Set Grate with 1/2"(13) Square Holes. Flange has Glass Blast Finish for Bond Coat Adhesion and Countersunk Anchoring Holes. Body is Provided with Anchor Clips. Perforated SS Dome Bottom Strainer or Sediment Bucket is Indicated by Figure Number. Body Interior, Dome Bottom Strainer and Sediment Bucket are polished to No. 4 finish.

VARIATIONS:

- BW Butt Weld Outlet (Specify Schedule 5, 10 or 40)
- Less Seepage Control Holes -LSH
- T Male Threaded Connection
- Trap Primer Connection -P050 1/2"(13) & -P075 3/4"(19)
- With Flange Top Set 3/8"(10) or 1/2"(13) Below Top of Rim and Grate -FT
- With Screed Guides -SG
- With 1/4(6) x 2 1/2"(64) Stainless Steel F.H. Anchor Bolts each with Two Washers and Two Nuts (set of 8) -AB
- With 1/4(6) x 2 1/2"(64) Stainless Steel F.H. Anchor Screws (set of 8) -AS

Bucket Models Only:

- With SS Dome Bottom Strainer -DBS
- With SS Solid Bottom Ported Bucket -SBP

OPTIONAL MATERIALS:

- Drains: Fabricated from Type 316 Stainless Steel
- Funnel: Type 304 Stainless Steel
- Funnel: Type 316 Stainless Steel

NOTE:

When determining location of this drain, consideration must be given to traffic loading factors. When used in areas where the drain is subjected to any traffic loading heavier than pedestrian foot traffic, the location, load and description of load shall be submitted to Jay R. Smith Sales Engineering Department for evaluation and selection of proper grate.

OPTIONAL TOP GRATES AND COVERS

SUFFIX	DESCRIPTION
<input type="checkbox"/> -10	Less SS Grate
<input type="checkbox"/> -12	With SS 1/2 Grate
<input type="checkbox"/> -13	With SS 3/4 Grate
<input type="checkbox"/> -14	With SS 2 1/2"(64) SQ Center Hole Grate
<input type="checkbox"/> -15	With SS Recessed Grate with Handle
<input type="checkbox"/> -18	With NB Rim and Angle Grate
<input type="checkbox"/> -21	With SS Grate with 4"(100) DIA NB Funnel
<input type="checkbox"/> -22	With SS Grate with 6"(150) DIA NB Funnel
<input type="checkbox"/> -25	With SS Grate with 8 1/4(210) x 3 1/4(83) x 4 1/2"(115) High Oval NB Funnel
<input type="checkbox"/> -26	With SS Grate with 6(150) x 2 1/2(64) x 1"(25) High Oval NB Funnel
<input type="checkbox"/> -41	With SS Solid Cover
<input type="checkbox"/> -42	With SS 1/2 Solid Cover
<input type="checkbox"/> -43	With SS 3/4 Solid Cover
<input type="checkbox"/> -44	With SS 2 1/2"(64) SQ Center Hole Solid Cover

SUFFIX	DESCRIPTION
<input type="checkbox"/> -61	With SS Heel-Proof Ribbed Non-Tilt Loose Set Grate with 1/4"(6) SQ Holes.
<input type="checkbox"/> -62	With SS Medium Duty Ribbed Non-Tilt Loose Set Grate with 1/2"(13) SQ Holes.
<input type="checkbox"/> -63	With SS Medium Duty Heel-Proof Ribbed Non-Tilt Loose Set Grate with 1/4"(6) SQ Holes.
<input type="checkbox"/> -64	With SS Heavy Duty Ribbed Non-Tilt Loose Set Grate with 1/2"(13) SQ Holes.
<input type="checkbox"/> -66	With SS Extra Heavy Duty Ribbed Non-Tilt Loose Set Grate with 1/2"(13) SQ Holes.
<input type="checkbox"/> -68	With SS Extra Heavy Duty Ribbed Non-Tilt Loose Set Grate with 3/4"(19) SQ Holes.

NOTE: Dimensions shown in parentheses are in millimeters.

DRAWING NUMBER SDX3001
 SIZE A
 SCALE: NONE
 DATE: 8-19-85
 APPROVED BY: SJM
 CHECKED BY: JD
 DRAWN BY: CM
 DIMENSIONS ARE SUBJECT TO MANUFACTURERS TOLERANCE AND CHANGE WITHOUT NOTICE

REV.	DATE	DESCRIPTION	BY	CKD. BY	WEIGHT POUNDS	VOLUME CUBIC FEET	FIGURE NUMBER
J	4-8-96	Rev Opt Grates	EMB				DX3001, DX3004 DX3006, DX3009
H	10-18-95	Added Millimeters	EMB	BS			
G	7-12-94	Revised	EMB	BS			
F	11-29-93	Submittal Update	EMB	BS			