

## ROOF-CEPTOR® INDIRECT WASTE DRAINS

### 10 1/2" (265) TOP - MEDIUM DEPTH RECEPTORS

**FUNCTION:** Recommended for use in roof areas to receive waste water from air conditioning units, cooling towers and other mechanical equipment installed on the roof. The solid water dam prevents storm water from entering the waste line. The large vandal proof dome bottom strainer provides ample drainage and prevents entry of debris.

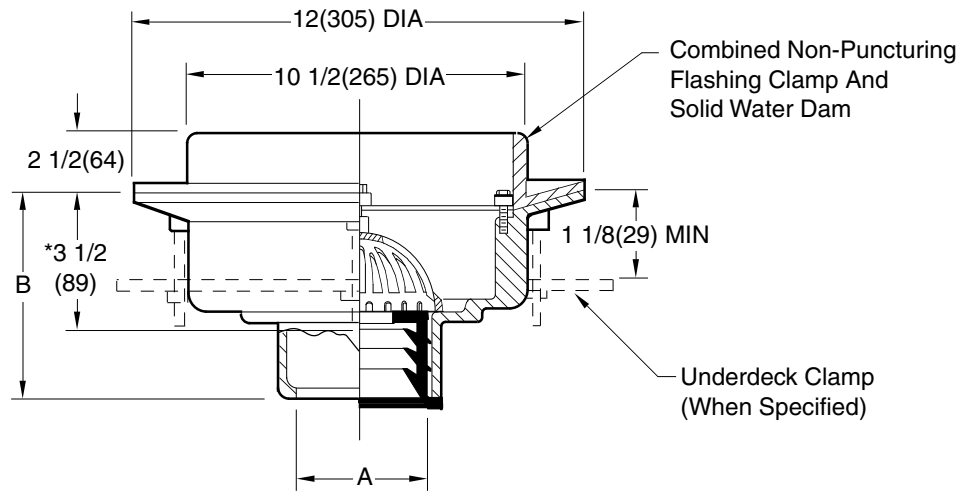


Fig. 3970C ... CAULK OUTLET  
 Fig. 3970Y ... NO-HUB OUTLET

\*This Dimension to Internal Stop of Speedi-Set Gasket

recommended deck openings:  
 with suffix -R - 13"(330)  
 less suffix -R - 11"(280)

A SIZE	02 (50)	03 (80)	04 (100)	05 (125)	06 (150)
B	6(150) for Caulk, NO-HUB and Speedi-Set. 4 3/4(120) for Threaded				

**REGULARLY FURNISHED:**  
 Duco Cast Iron Receptor with Solid Water Dam and Cast Iron Dome Bottom Strainer Secured with Stainless Steel Vandal Proof Screws.

- VARIATIONS:**
- Extension -E
  - L Speedi-Set Service Weight  
02(50), 03(80) & 04"(100) sizes only
  - LXH Speedi-Set Extra Heavy  
02(50), 03(80) & 04"(100) sizes only
  - Roof Sump Receiver -R
  - Underdeck Clamp-UDC
  - T Threaded Outlet

**OPTIONAL MATERIALS:**  
 All Galvanized -G

DRAWING NUMBER S3970  
 SIZE A  
 SCALE: NONE  
 DATE: 9-19-85  
 APPROVED BY: SJM  
 CHECKED BY: JD  
 DRAWN BY: PJ  
 FIGURE NUMBER 3970

WE CAN ASSUME NO RESPONSIBILITY FOR USE OF SUPERSEDED OR VOID DATA

C B A	04/22/04 8-27-96 7-26-94	Added UDC to Variations Added Millimeters Submittal Update	JJ EMB EMB	CL BS BS	WEIGHT POUNDS	VOLUME CUBIC FEET	FIGURE NUMBER <b>3970</b>
REV.	DATE	DESCRIPTION	BY	CKD. BY			