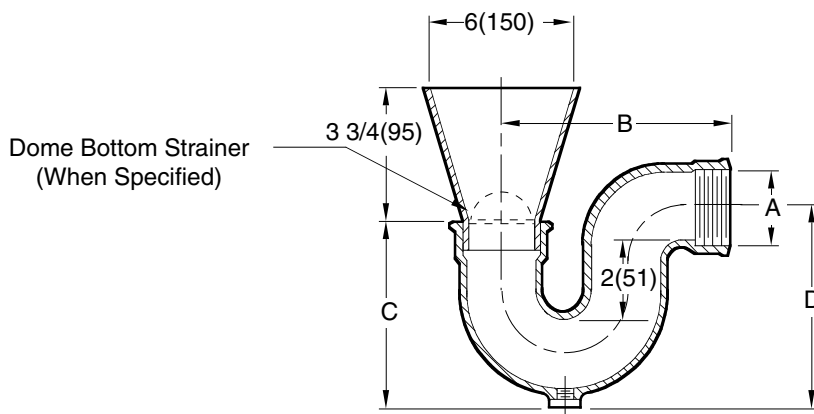


# FUNNELS

## DRIP AND CONDENSATE FUNNELS

**FUNCTION:** Ideal for hospitals and industrial laboratories where indirect waste lines above the floor require receptors to receive drip, condensate or waste water. Use of "P" trap recommended for preventing sewer gases from entering room.



**THREADED OUTLET ONLY**

A = PIPE SIZE	B	C	D
0150(40), 02(50)	6(150)	5(125)	5 1/2(140)
03(75)	6(150)	6(150)	6(150)

- Fig. 3831T ... DUCO CAST IRON WITH ACID RESISTANT COATED INTERIOR AND EXTERIOR
- Fig. 3832T ... DUCO COATED CAST IRON
- Fig. 3833T ... CAST BRONZE
- Fig. 3834T ... POLISHED CHROME PLATED CAST BRONZE

**REGULARLY FURNISHED:**  
 As described by Figure Number.

**VARIATIONS:**

- Aluminum Dome Bottom Strainer -DBS
- Dome Bottom Strainer (Same finish and materials as described by Figure No.)
- Less Cleanout
- With Front Cleanout
- NO-HUB Adaptor 02(50), 03(75), 04(100) or 06"(150) sizes only (Specify Fig. 2646Y)

**OPTIONAL MATERIALS:**

- All Galvanized -G

**NOTE:** Dimensions shown in parentheses are in millimeters.

DRAWING NUMBER  
S3831

SIZE  
A

SCALE:  
NONE

DATE:  
5-7-99

APPROVED BY:  
BS

CHECKED BY:  
BS

DRAWN BY:  
CMD

FIGURE NUMBER  
3831, 3832,  
3833, 3834

WE CAN ASSUME NO RESPONSIBILITY FOR USE OF SUPERSEDED OR VOID DATA

DIMENSIONS ARE SUBJECT TO MANUFACTURERS TOLERANCE AND CHANGE WITHOUT NOTICE

A	6-11-99	Revised description	CMD	BS
REV.	DATE	DESCRIPTION	BY	CKD. BY

WEIGHT POUNDS	VOLUME CUBIC FEET

**FIGURE NUMBER**  
**3831, 3832,**  
**3833, 3834**